

 ENGLISH

# DENVER®

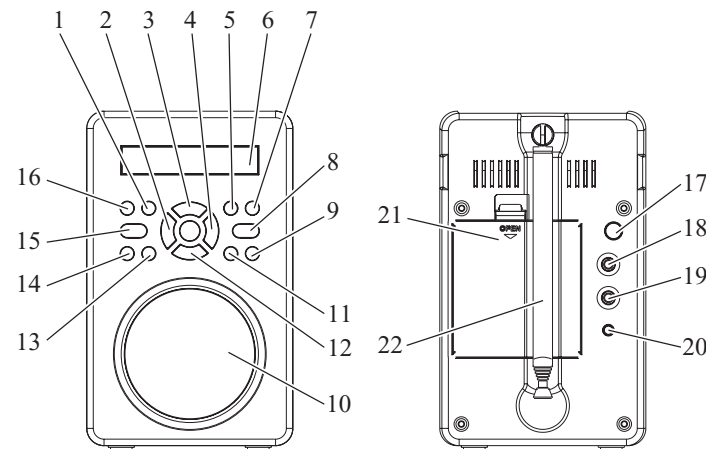
## DAB-43 PLUS

### DAB+/ DAB (BAND III) / FM RADIO

#### INSTRUCTION MANUAL



#### LOCATION OF CONTROLS



- |                      |                            |
|----------------------|----------------------------|
| 1. VOL+ BUTTON       | 12. FUNCTION/SNOOZE BUTTON |
| 2. DOWN BUTTON       | 13. ALARM/SLEEP BUTTON     |
| 3. INFO/SETUP BUTTON | 14. AUTO SCAN BUTTON       |
| 4. UP BUTTON         | 15. STANDBY BUTTON         |
| 5. PRESET1 BUTTON    | 16. VOL- BUTTON            |
| 6. LCD DISPLAY       | 17. POWER (ON/OFF) BUTTON  |
| 7. PRESET2 BUTTON    | 18. AUX IN JACK            |
| 8. SHIFT             | 19. PHONES JACK            |
| 9. PRESET4 BUTTON    | 20. DC 6V JACK             |
| 10. SPEAKER          | 21. BATTERY DOOR           |
| 11. PRESET3 BUTTON   | 22. FM TELESCOPIC ANTENNA  |

#### Setup

For use with battery power, remove the Battery Compartment Cover and insert six "AA" size alkaline batteries, observing the proper polarity (+/-) as indicated inside the Battery Compartment. Reattach Battery Compartment Cover.

For use with electrical AC power, plug the AC Power Cord into a standard 230-volt AC electrical outlet.

#### POWER SUPPLY

##### OPERATING THE UNIT ON AC POWER

Insert one end at the supplied power cord to the DC 6V IN Jack located at the rear of the unit and the other end into the Wall outlet.

When the First time used the cord has to be firmly pushed into the socket if does not work on AC, to try again to be sure for a positive connection.

##### OPERATING THE UNIT ON BATTERIES

- To play your unit on batteries, the AC power cord must be disconnected from the player.
- Unplug the AC power cord from the unit and insert 4 size "AA" batteries (not provided) in the compartment.
- Close the battery compartment door.

Note:

Check your batteries regularly. Old or discharged batteries should be replaced. If the unit is not to be used for sometime or is being run exclusively on AC electrical current, remove batteries from the battery compartment to avoid leakage.

Warning: Before using the unit. Check that the local mains supply is compatible with the Unit Do not plug or unplug the power cable when your hands wet. When planning not to use this unit for long periods of time (i.e. Vacation etc.) disconnect the plug from the wall outlet.

##### BATTERY SAFETY PRECAUTIONS:

- Keep batteries away from children and pets.
- Insert the batteries observing the proper polarity (+/-). Failure to properly align the battery polarity can cause personal injury and/or property damage.
- Remove old or discharged batteries from the product. Remove the batteries when the product will not be used for extended periods of time to prevent damage due to rusted or corroded batteries
- Never throw batteries into a fire, do not expose batteries to fire or other heat sources
- Battery Disposal: Old or discharged batteries must be properly disposed of and recycled in compliance with all applicable laws. For detailed information, contact your local solid waste authority
- Follow the battery manufacturer's safety, usage, and disposal instructions.

##### FUNCTION DESCRIPTION

short press----- indicates that you should press and release the key to activate the function  
long press -----indicates that you should press and hold the key until the function is activated

##### POWER (ON/OFF) SWITCH

Press it to switch the unit between OFF and STANDBY. The press action also controls functions such as SNOOZE and SLEEP Timer cancel.

##### VOLUME BUTTON

Press the volume button to adjust the volume. VOL+ to increase and VOL- to decrease. This BUTTON also controls the volume of the headphone output.

##### UP & DOWN BUTTON

These buttons are used to set the Alarm and Sleep timer

##### ENTER BUTTON

The ENTER BUTTON is used to  
-confirm station selection in DAB mode  
-Change audio mode in FM mode  
-Confirm Alarm and Sleep settings

##### INFO/SETUP BUTTON

Short press the INFO/SETUP button to change the type of information shown on the display

##### FUNCTION/SNOOZE BUTTON

Short press the FUNCTION/SNOOZE button to change between DAB and FM  
PRESET1,PRESET2,PRESET3 & PRESET4 BUTTONS  
These keys are used to store and recall station presets in DAB and FM modes

##### ALARM/SLEEP BUTTON

Short press to select the Alarm setup menu  
In radio on mode,Long press to select the sleep setup menu

##### AUTO SCAN BUTTON

In DAB mode, A short press starts a quick DAB scan ,A long press for a full DAB scan  
In FM mode, A short press starts a FM scan

##### HEADPHONES

A 3.5mm socket for connecting a set of stereo headphones (not included). The internal loudspeaker is muted when headphones are plugged-in.  
Avoid listening to headphones at high volume levels to prevent possible hearing damage.

##### AUX LINE INPUT

This 3.5mm socket is for connecting an external source such as an MP3 player, CD player, TV or computer.

##### DC 6V JACK

Connect to the UNIT power adapter.

##### STANDBY MODE

- Press POWER (ON/OFF) switch to "ON" position.
- The display on the UNIT will light and display 'Welcome! Digital Radio'
- After 2-3s the display light dims, the message changes to 'Standby' and then goes to the Time screen.  
Time and date will automatically update on-air, when the radio is operated.

##### OPERATING THE UNIT IN DAB MODE AUTO SCAN

- Fully extend the telescopic antenna.
- Short press the STANDBY button to switch on the radio.
- The first time the radio is powered and switched on, it will automatically select DAB mode and start a scan of the DAB channels to search for available stations. Please leave it to complete this process otherwise no DAB stations will be stored for later selection. During the scan the display shows the scan progress, channel number, the multiplex name and then the total number of stations.
- When the scan is complete, the UNIT will automatically tune to the first station in the list. Stations are listed in numeric-alpha order i.e. from 0 to 9 and then A to Z.
- If no stations are detected during the scan the display will show 'NO SIGNAL DAB',in this case, reposition the unit and/or the aerial and short press theAUTO SCAN button to start another scan.

Note: Like Digital TV there are some areas where it may still be difficult to get a good DAB signal. The broadcasters are constantly improving DAB coverage so in some cases it may be necessary to wait before some or all DAB services become available. You can check coverage for your area .

##### SELECTING A STATION

- Short press either the UP or DOWN button to scroll through the available station list and stop at the required station.
- The display may show 'SEARCHING ...' while the radio selects the new station. If after selecting a station, 'not available' is shown, try relocating the radio to improve reception.

##### SECONDARY STATIONS

Some stations have one or more secondary services associated with them. When secondary stations are available a > sign is shown after the station name.  
BBC5Live> >BBC Sport Extra  
BBC National DAB BBC National DAB

##### PRESETS

###### TO STORE A STATION PRESET

- Select a DAB station as described above.
- Press and hold one of the Preset keys until the display shows 'Preset x stored'.

##### TO RECALL A PRESET STATION

Short press the required Preset key.  
Note: The unit can store 8 stations for DAB & 8 stations for FM  
Note: To use memory 5~8 function, you shall press the shift key first and then press the PRESET1~4 buttons together.

#### INFO

The UNIT has DAB information modes which are shown on the bottom line of the display. Short press the INFO key to see the available types.

1. program type  
Displays the type of station content being broadcast e.g. Classic, Pop, News, etc.
2. Ensemble Freq.  
Displays the DAB station frequency such as 13F 239.200MHz.
3. Audio Bit Rate  
Displays the data rate in kilo Bits per second and the audio mode e.g. Stereo.
4. Ensemble name  
Displays the name of the multiplex to which the Digital1 Network current station belongs
5. Signal strength  
Displays the signal strength for the station being listened to.
6. Time/Date  
Displays current time and date, received off-air.
7. DLS (Dynamic Link Segment)  
Scrolling text which includes messages such as Artist and track name, phone numbers, program details, etc.

#### FINDING NEW STATIONS

As and when new stations are introduced it will be necessary to do an auto-scan in order to detect and store the new stations. Short press the Auto-tune button on the rear of the unit to start an auto-scan. DAB services are generally localised, so if you move the UNIT to a different area it will be necessary to do an auto-scan in order to pick up stations in the new local.

#### MANUAL TUNE

Manual tuning allows you to tune directly to a DAB station.

1. Long press the ENTER button until the display shows 'Manual Tune'
  2. Short press the UP or DOWN key to select a different channel number
- Please note: You may have to wait for the UNIT to tune in to the new channel.

#### OPERATING THE UNIT IN FM MODE

1. Fully extend the telescopic antenna.
2. Press the POWER (ON/OFF) switch to "ON" position to enter standby mode.
3. Short press the STANDBY button to switch the unit on.
4. If the UNIT is in DAB mode, short press the FUNCTION/SNOOZE BUTTON to change to FM.  
The UNIT remembers the selected source when switched to Standby and automatically selects it the next time it is switched on. If the power is disconnected the UNIT will always select DAB mode when first switched on.
5. The display shows the current tuning frequency and information line.

#### SELECTING A STATION

##### MANUAL TUNING

Short press the UP or DOWN BUTTON to change the tuning frequency.  
note: Wait for a second or so between each press for the UNIT to re-tune.

#### PRESETS

##### TO STORE A STATION PRESET

1. Select an FM or DAB station as described above.
2. Press and hold one of the Preset keys (for approximately 3s) until the display shows "Preset 1 stored"

##### TO RECALL A STATION PRESET

1. Short press the required preset key.
- Please note: 8 presets are available in both DAB and FM modes.  
You can overwrite any of the presets at any time by holding the preset key until 'Preset x stored' is shown.

#### AUDIO MODE

Normally, the UNIT will automatically select Mono or Stereo mode depending on what is being broadcast and the signal strength. However if a stereo station is being received and the signal is weak, some hiss may be audible. To reduce the hiss it is possible to switch the UNIT from Auto to Mono mode.

1. Short press the ENTER button to display the Audio Mode screen.
2. Short press the ENTER button to switch between Auto and Mono modes. The new setting is shown for a short time and then the display returns to the Radio screen.

#### INFO

The UNIT has six FM information modes which are shown on the bottom line of the display. Short press the INFO/SETUP button to see the available types.

1. PTY (program type)  
Displays the type of station content being broadcast e.g. Classic, Pop, News, etc.
2. Signal strength  
Displays the signal strength for the station being listened to.
3. Time and Date  
Displays current time and date, received off-air.
4. Station frequency  
Displays the frequency of the station being listened to.
5. Audio mode  
Displays the current audio mode setting i.e. Auto(Stereo) or Mono.
6. Radio Text  
Scrolling text which includes messages such as Artist and track name, phone numbers, program details, etc.

#### USING THE AUX INPUT

1. Connect the AUX connect wire from the out jack of your Personal Player such as portable MP3 player to the AUX input jack.
  2. Power on the unit by pressing the STANDBY button
  3. Turn on your Personal Player to begin playing, adjust the volume to desire listening level.
  4. Adjust the volume by pressing the Vol + or Vol - button
- Note: Once the AUX jack is inserted with the aux plug, The FM/DAB sound is muted but the display will not be changed.

#### SETTING AND USING THE ALARM

##### VIEW ALARM SETTINGS

With the UNIT switched on, or in Standby, short press the ALARM/SLEEP button. The display shows the current ALARM settings for 5s and then returns to the previous screen. From Standby, the display will light, show the settings for about 5s and then go back to Standby.

##### SET THE ALARM 1

1. With the UNIT switched ON, or in Standby mode, press the ALARM/SLEEP button until the Alarm1 menu is shown.
2. OFF or ON is flashing to indicate that it can be changed. Short press the UP or DOWN button to change between OFF and ON and short press ENTER to confirm
3. The hour digits are now flashing. Use the UP or DOWN button to set the required time and short press the ENTER button to confirm. Short press the UP or DOWN button to change the hour setting in one hour increments or long press either key to scroll quickly to the required setting.
4. The minutes can now be set, as described above and then short press ENTER button to confirm.
5. Alarm source (BEEP1,BEEP2,FM or DAB) is now flashing. Short press the UP or DOWN button to select and short press ENTER button to confirm. The display continues to show the ALARM settings for a short time and then exits the Alarm menu.

##### SET THE ALARM 2

1. With the UNIT switched ON, or in Standby mode, press the ALARM/SLEEP button 2 times until the Alarm2 menu is shown.
2. OFF or ON is flashing to indicate that it can be changed. Short press the UP or DOWN button to change between OFF and ON and short press ENTER button to confirm
3. The hour digits are now flashing. Use the UP or DOWN button to set the required time and short press the ENTER button to confirm. Short press the UP or DOWN button to change the hour setting in one hour increments or long press either key to scroll quickly to the required setting.
4. The minutes can now be set, as described above and then short press ENTER button to confirm.
5. Alarm source (BEEP1,BEEP2,FM or DAB) is now flashing. Short press the UP or DOWN button to select and short press ENTER button to confirm. The display continues to show the ALARM settings for a short time and then exits the Alarm menu.

Note: The ALARM1 or ALARM2 symbol is shown in the top right hand corner of the display when the unit is in Standby mode.  
In standby mode, the alarm (BEEP1,BEEP2,FM or DAB) will sound automatically at your desired alarm setting time.

#### CHANGE THE ALARM SOUND

The Alarm sound on the UNIT can be changed to an electronic beep tone if preferred.  
1. At step 5 (above) i.e. when FM is flashing, short press either the UP or DOWN button to change the setting to BEEP tone1 or BEEP tone2. Short press the ENTER button to confirm.  
If you have selected a DAB station as the Alarm sound and for any reason the station is not available e.g. is off-air, the BUZZ sound will be heard when the Alarm activates.

#### ALARM ON-OFF

With the Alarm set to ON, it will sound each day at the set time. To turn the Alarm OFF,Short press the ALARM/SLEEP button and while the Alarm settings are still on screen, press the UP or DOWN button to select alarm OFF then press ENTER button to confirm.  
This can be done with the UNIT switched ON or in Standby mode.

#### ALARM CANCEL

To cancel the Alarm when it has activated. Press ALARM/SLEEP button or STANDBY button to stop the alarm sound.  
The Alarm will automatically switch off after 59 minutes unless cancelled or switched off manually.

#### SNOOZE

The UNIT includes a 9 minute snooze timer.  
When the Alarm activates, short press the FUNCTION/SNOOZE button to start the Snooze timer. The UNIT goes to Standby.

#### SETTING AND USING THE SLEEP TIMER

##### VIEW SLEEP TIMER SETTINGS

With the UNIT switched ON, press and hold the ALARM/SLEEP button to view the current Sleep timer settings.

##### SET THE SLEEP TIMER

1. With the UNIT switched ON and playing any of the inputs i.e. DAB, FM or AUX, long press the SLEEP key until the Sleep menu is shown.
2. The minutes are now flashing. Short press ALARM/SLEEP button to change the Sleep time (such as 15mins, 30mins ,45mins, 60mins & 90mins)
3. Available Sleep time is 15 to 90 minutes, in 15 minutes increments. Set the required time and short press ENTER button to confirm.
4. The display continues to show the settings for 3s and then returns to the Radio screen. The UNIT plays for the selected time and then switches to Standby.

##### CANCEL SLEEP TIMER

1. With the UNIT switched ON and playing any of the inputs i.e. DAB, FM or AUX, long press the SLEEP key until the Sleep menu is shown.
2. The minutes are now flashing. Short press ALARM/SLEEP button to change the Sleep time to OFF.

#### SYSTEM RESET

System Reset can be used to clear the station list, the presets and all Alarm and Sleep settings. This is useful if you move the UNIT to a different location (when you move house for instance) as some stations may not be available in the new area.

1. In DAB & FM mode, long press the FUNCTION/SNOOZE button until the display shows "Press Enter Key to Reset".
2. Short press the ENTER button. The display now shows "System Reset".
3. The UNIT will now clear the internal memory and automatically start a quick scan.

ALL RIGHTS RESERVED, COPYRIGHT DENVER ELECTRONICS A/S

DENVER®  
www.denver-electronics.com



Electric and electronic equipment contains materials, components and substances that can be hazardous to your health and the environment, if the waste material (discarded electric and electronic equipment) is not handled correctly.

Electric and electronic equipment is marked with the crossed out trash can symbol, seen below. This symbol signifies that electric and electronic equipment should not be disposed of with other household waste, but should be disposed of separately.

All cities have established collection points, where electric and electronic equipment can either be submitted free of charge at recycling stations and other collection sites, or be collected from the households. Additional information is available at the technical department of your city.

Imported by:  
DENVER ELECTRONICS A/S  
Stavneagervej 22  
DK-8250 Egaa  
Denmark  
www.facebook.com/denverelectronics