

**DENVER**<sup>®</sup>  
denver-electronics.com

## **Instruction manual**

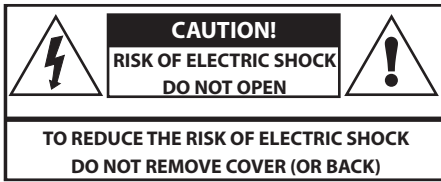
### **DAB+/DAB FM Radio**

#### **DENVER DAB-38**



COPYRIGHT DENVER ELECTRONICS A/S  
[www.denver-electronics.com](http://www.denver-electronics.com)  
[www.facebook.com/denverelectronics](https://www.facebook.com/denverelectronics)

## IMPORTANT SAFETY INFORMATION



This symbol indicates that there are important operating and maintenance instructions in the literature accompanying this unit.



This symbol indicates that dangerous voltage constituting a risk of electric shock is present within this unit.

Read these instructions.

Keep these instructions.

Heed all warnings.

Follow all instructions.

Do not use this apparatus near water.

Clean only with a dry cloth.

Do not block any ventilation openings.

Install in accordance with the manufacturer's instructions.

Do not install or operate near any heat sources such as radiators, stoves, or other apparatus that produce heat.

Unplug this apparatus during lightning storms or when unused for long periods of time.

Refer all servicing to qualified service personnel. Servicing

### IMPORTANT

This equipment generates, uses and can radiate radio frequency energy and, if not installed and used in accordance with the instructions, may cause harmful interference to radio communication. However, this is no guarantee that interference will not occur in a particular installation. If this equipment does cause harmful interference to radio or television reception, which can be determined by turning the equipment off and on, the user is encouraged to try to correct the interference by one of the following measures:

- Reorient or relocate the receiving antenna.
- Increase the separation between the equipment and receiver.
- Connect the equipment into an outlet on a circuit different from that to which the receiver is connected.
- Consult the dealer or an experienced radio/TV technician for help.

### ELECTRICAL INFORMATION

Use this appliance only with the supplied AC Adapter. Using non-approved power supplies will void the warranty.

is required when the apparatus has been damaged in any way, such as the power-supply cord or plug is damaged, liquid has been spilled or objects have fallen into the apparatus, the apparatus has been exposed to rain or moisture, does not operate normally, or has been dropped.

Warning: To reduce the risk of fire or electrical shock, do not expose this product to rain or moisture. The product must not be exposed to dripping and splashing and no object filled with liquids such as a vase of flowers should be placed on the product.

No naked flame sources such as candles should be placed on the product.

Batteries (a battery pack or installed batteries) shall not be subject to excessive heat such as sunshine, fire or the like.

Caution: Changes or modifications not expressly approved by the manufacturer could void the user's authority to operate this device.

Caution: Usage of controls or adjustments or performance of procedures other than those specified herein may result in hazardous exposure.



To prevent possible hearing damage, do not listen at high volumes for long periods.

# PRELIMINARIES

## LOCATION

Place the unit on dry stable surface away from heat and damp and where it is unlikely to fall or be knocked over.

## GETTING STARTED

### DAB/FM AERIAL

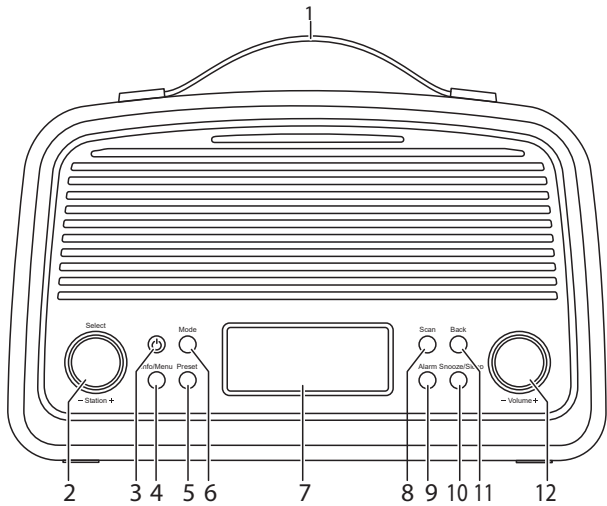
Before using your radio for DAB or FM reception, always fully extend the telescopic aerial.

The telescopic aerial has a swivel base to enable it to be adjusted to different positions for the clearest sound.

## CONTROLS AND CONNECTIONS

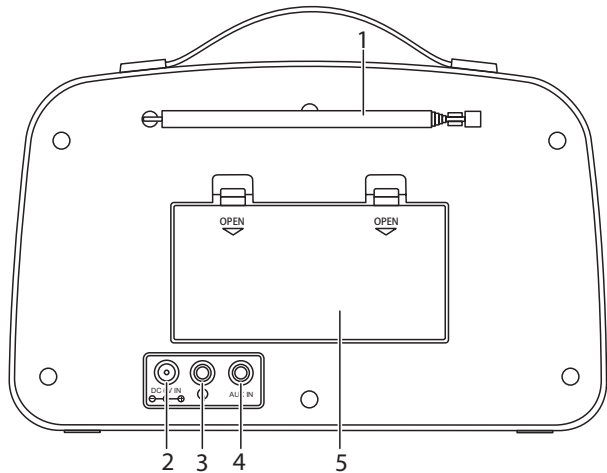
### FRONT VIEW

1. Handle
2. Select/Station control
3. Standby button
4. Info/Menu button
5. Preset button
6. Mode button
7. Display
8. Scan button
9. Alarm button
10. Snooze/Sleep button
11. Back button
12. Volume control



### BACK VIEW

1. DAB/FM Aerial
2. DC In jack
3. Headphone jack
4. Aux In jack
5. Battery cover  
(Batteries not included)



# POWER CONTROL


## STANDBY CONTROL

### Switching the radio on:

- Press the  button to switch on the radio.

*The radio will re-tune to the last station playing.*

### Setting the radio to Standby:

- Press the  button to set the radio to Standby.

*The time and date will be displayed.*

NOTE:- The  button functions as a Power ON/ Off button during battery operation - the display will switch off completely when set to Standby and Alarm and Sleep function are disabled.

## INITIAL SCAN

When your radio is switched on for the first time it will scan all usable stations and store them alphanumerically - 1 Radio, 2 Radio, AA Radio, AB Radio... The initial scan will take a few minutes. After the scan, the number of stations found will be displayed, and the radio will play the first station in the sequence.

Note: If no stations are found, switch the radio off and move it to a location with a stronger signal. When you switch the radio back on it will automatically repeat the scan process.

## SELECTING A DAB STATION

After scanning, the stations are stored in an alphanumeric station list.

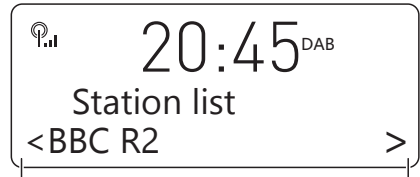
### To select another station:

- Turn the **Select/Station** control to browse the station list.

- Press the **Select/Station** control to select the station displayed.

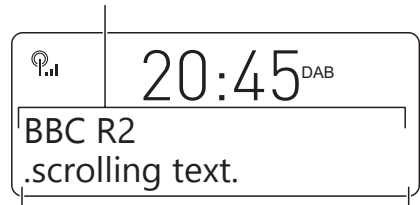
*The radio will re-tune to the new station.*

*The display will show the station name and DLS scrolling information text.*



Station list

Station name



Information text

## ADJUSTING THE VOLUME

### To adjust the volume:

- Turn the **Volume Control** clockwise to increase or anti-clockwise to decrease the volume.  
*The volume level will be displayed on a bargraph.*

## DAB/FM BANDS

Your radio can also receive FM band radio stations.

### To change between the DAB and FM bands:

- Press the **Mode** button.

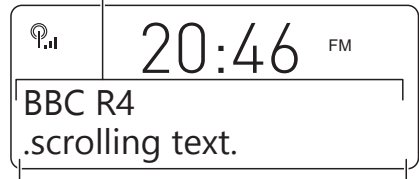
*The radio will change band and the station name (DAB) or tuned frequency (FM) will be shown on the display.*

## FM RECEPTION

- Select the FM band.

*The station name and RDS information text will be displayed. If RDS data is not available, the station frequency will be displayed.*

Station name/frequency



### To scan for FM stations:

- Press the **Scan** button to scan the band for stations.

*Tuning will stop automatically when the next station is reached.*

### To change the scan direction:

- Before pressing the **Scan** button, turn the **Select/Station** control clockwise slightly to set the radio to scan up the band or anti-clockwise to scan down the band.

### To manually tune to FM stations:

- Turn the **Select/Station** control clockwise to tune up or anti-clockwise to tune down the band in 0.05MHz steps.

## STEREO/MONO RECEPTION

Setting to mono mode may improve sound quality in areas where a weak aerial signal results in a high level of background noise.

### To switch between Stereo and Mono:

- Press the **Select/Station** control.

*The sound will switch between stereo and mono.*

## AUX INPUT

The AUX IN input may be used to connect sound sources with a Line or Headphone analogue output to play through your unit. These may include -

- Personal audio players
- Personal computers or laptops

### Connecting to the AUX IN jack

- Connect a stereo 3.5mm jack cable (not supplied) between the headphone or LINE/AUX output of the personal audio player and the AUX IN jack on the back panel.

### Playing the AUX source

- Press the **Mode** button repeatedly to select AUX IN mode.

*'AUX IN' will be displayed.*

- Set your personal audio player/computer to PLAY.
- Set the listening volume to the level you want.

If there is no sound or if the volume level is not loud enough, you may need to increase the volume setting on your personal audio player/computer.

## DAB & FM PRESETS

Your radio can store up to 10 of your favourite stations as presets on both the DAB and FM bands.

### To store a preset:

- Tune to the station you want to store as a preset.
- Press and **hold** the **Preset** button.

*'Preset Store' will be displayed with a preset number to store. If a station is already stored in this preset number, the station details will be shown.*

- To choose a preset location to store your station, turn the **Select/Station** control to change the preset number displayed.
- To store the station playing in the preset number displayed, press the **Select/Station** control.

*When you store a preset, the preset number and 'stored' will be displayed to confirm the number you selected.*

### To recall a preset:

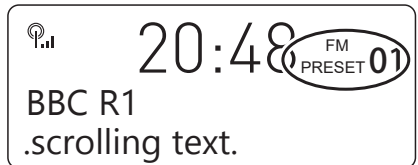
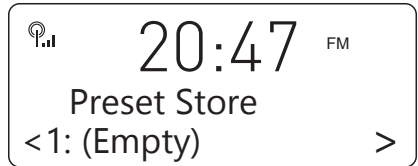
- Press the **Preset** button.

*Preset 1 will be displayed.*

- Turn the **Select/Station** control to browse the preset stations you have stored.
- When you find the preset number you want, press the **Select/Station** control.

*The radio will tune to the selected preset station.*

*The preset playing will be displayed.*



# DAB SETTINGS MENU

## DAB SETTINGS MENU

A complete map of the menu is shown on the next page.

### To enter the DAB Settings Menu

- Set to DAB mode.
- Press and **hold** the **Info/Menu** button.

*The menu will be displayed.*

- Turn the **Select/Station** control to step through the available options.  
available options.
- To choose an option from the menu, press the **Select/Station** control.  
**Station** control.

*Choose the 'System' menu option to open the sub-menu of system options shown on the menu map.*

**Full Scan:** Select Full Scan to re-scan the entire DAB band and refresh the station list.  
and refresh the station list.

**Manual Tune:** Manual tuning enables you to search the band manually by pressing the **Tune +** or **Tune -** button to step through the multiplex numbers and check if any have usable signal strength on a bargraph display. Manual tuning is not necessary in normal operation where scanning will have established a station list of usable scanning will have established a station list of usable stations.

**DRC:** DRC is Dynamic Range Compression. Enabling DRC may improve the sound of DAB radio when listening in a noisy room.

**Prune:** If your station list includes stations that you can no longer receive (you may have moved to a different area), you can select the 'Prune' option to remove them and clean up the Station List.

**System>Equaliser:** You can change the equaliser setting to change the tone of the radio sound. Choose from Normal, Classic, Jazz, Pop or Rock settings.

**System>Time:** Select the time option to open the following sub-menus for setting the clock manually and changing time and date display options.

**System>Time>Set Time/Date:** This option may be useful if you are in an area where it is not possible to receive DAB radio broadcasts. You can set both the time and date manually.

**System>Time>Auto update:** This option sets how the clock locates time and date information. You can choose to update from either DAB or FM radio or both. You can also disable Auto update if you prefer to retain manual clock settings.

**System>Time>Set 12/24 hour:** Choose this option to display the time in 12 hour (with a.m. and p.m. indicators) or 24 hour formats.

**System>Time>Set date format:** Choose this option to change the date format from DD/MM/YYYY to MM/DD/YYYY.

**System>Backlight:** This option enables you to set the display brightness. Two separate options are available - display brightness when the radio is On and also when set to Standby. Choose from the three available levels.

**System>Factory reset:** Select the 'Yes' sub-option to reset all the settings of your radio to factory original settings. The station list will also be cleared and any stored preset memories will be erased. After a factory reset the radio will re-scan the band and renew the station list.

**System>Software upgrade:** This is not a user feature. If you select this option in error, disconnect power or remove batteries, wait for a minute then re-connect power.

**System>SW Version:** This option will display the version number of the control software currently installed in your radio. This will be helpful to a technician who is servicing the radio.

# USING THE ALARMS

## SETTING THE ALARMS

You can set two completely separate alarm times (ALARM 1 and ALARM 2) and activate either or both of them to wake you with radio or a buzzer. You can also pre-set the station preset and volume settings that the alarms will wake you with.

### Setting the alarm times:

- Switch on the radio (Alarm settings cannot be changed when set to Standby).
- Press the **Alarm** button once to set Alarm 1 or twice to set Alarm 2.

In the examples to follow, Alarm 1 is to be set.

*'Alarm 1 Setup' will appear on the display.*

- Press the **Select/Station** control if you want to set Alarm 1.

*'Alarm 1 Wizard' will appear on the display.*

The alarm is now set in the sequence shown in the next column.

NOTE: Press the **Alarm** button at any time to exit alarm setting, leaving the settings unchanged.

\*NOTE:- When changing the Alarm radio preset setting, choose the 'Last listened' option to wake to the last station you played before setting the radio to Standby.

### To make a change to a setting:

Turn the **Select/Station** control to step through the options available for a setting (or times when clock setting).

- When you have finished changing a setting, press the **Select/Station** control to confirm the setting and move on to the next setting in the sequence.
- Repeat the previous two steps to change each setting as required.

### Saving alarm settings:

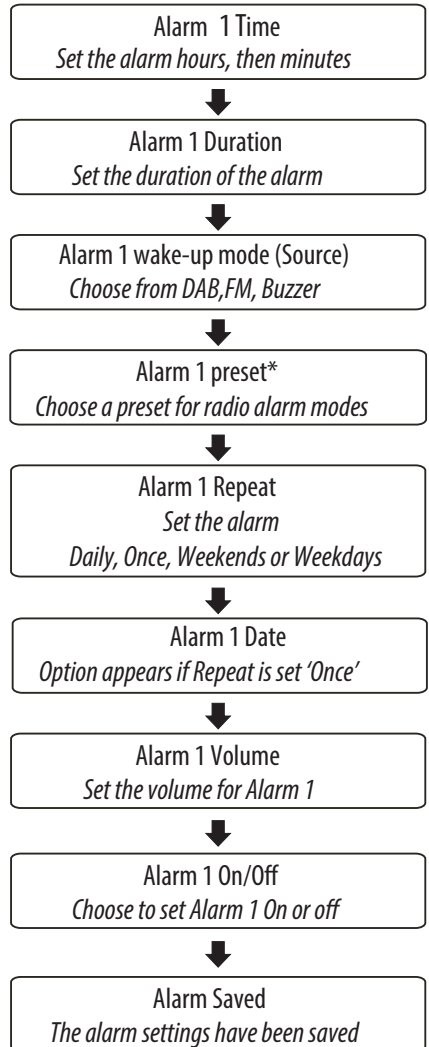
Your alarm settings are automatically saved when you complete the last setting and press the **Select/Station** control.

The display will confirm with the words 'Alarm saved'.

### Alarm repeat:

The alarm(s) will repeat according to the Alarm Repeat setting you made when setting the alarm. setting you made when setting the alarm.

## ALARM SETTING SEQUENCE





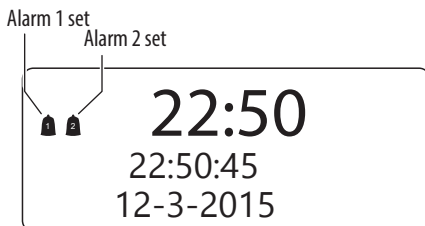
- Daily - The alarm will sound every day.
- Weekdays - The alarm will sound on weekdays, but not at weekends.
- Weekends - The alarm will sound on weekends, but not on weekdays.
- Once - The alarm will sound only once. If this setting has been chosen, an extra option is added for you to set the date that you want the alarm to sound.

## USING THE ALARMS

### SETTING THE ALARM TO WAKE YOU

#### To check if the alarms are set:

- Before going to bed, set the radio to Standby and check that the Alarm 1 and/or Alarm 2 symbols are displayed as required.



#### To switch the alarms on or off:

- Set the radio to Standby.

*The radio will switch off and the time and date will be displayed with the Alarm Symbol(s).*

- Press the **Alarm** button repeatedly to activate the alarm(s) as you need them.
- Press the **Select/Station**

*'Alarm Saved' will be displayed to save the settings.*

### WHEN THE ALARM WAKES YOU

When the alarm sounds you can choose to set snooze, which will reset the alarm for a further 5 minutes, or to switch it off.

#### To set snooze:

- Press the **Snooze/Sleep** button when the alarm sounds.

*The alarm will stop and the alarm indicator and the snooze time will count down on the display. After 5 minutes the alarm will sound again.*

#### To switch off the alarm:

- To switch off the alarm, press the **⏏** button.

*The unit will set to Standby.*

## SLEEP FUNCTION

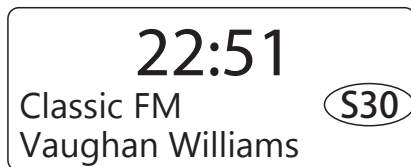
You can set the Sleep timer to play music for a set period while you are falling asleep.

#### To set the sleep timer:

- Play your choice of music.
- Press the **Snooze/Sleep** button.

*The sleep time will be displayed.*

- Turn the **Select/Station** control to step through the sleep time options of 15 minutes, 30 minutes, 45 minutes, 60 minutes, 90 minutes or OFF (sleep off).
- Press the **Select/Station** control to confirm the sleep time.



The Sleep time will be displayed and music will continue to play for the time you selected, then the unit will set to Standby.

## **HEADPHONES**

There is a headphone output socket on the back panel of the radio. If headphones are connected to this socket for private listening, the speakers will cut out automatically.

## **FACTORY RESET**

DAB is a terrestrial system and frequencies in different areas vary. If you move the radio to another part of the country, performing a scan may not be enough to reprogram the radio you may need to reset the radio.

Factory reset is an option available from the Settings menu.

Factory reset is an option available from the Settings menu.

### **To restore the factory settings**

- Follow the instructions in the 'DAB SETTINGS MENU' section to select Factory Reset from the menu.

The Radio will now re-start and scan the DAB broadcast stations in your area.

After reset all settings are returned to the factory defaults and any stored presets are erased.

## **TROUBLESHOOTING**

### **Poor quality radio reception**

The aerial signal may not be adequate. Try adjusting the aerial position while watching the signal strength on the bargraph. Signal strength can be displayed by tuning to a DAB station and pressing the **Info/Menu** button until the signal strength bargraph is displayed.

### **Few DAB stations are available after moving area**

The radio should be reset to renew the station list. Refer to the 'Factory Reset' section on page 9.

### **Poor quality FM reception**

If you are listening to a station with a weak signal, try setting to mono reception.

## **CARE AND MAINTENANCE**

### **After using your radio**

- Set the radio to Standby or switch it off.
- Unplug the radio from the mains if you are leaving it unattended for a long period (holidays etc).

### **Care and cleaning**

All care and cleaning operations should be carried out with the unit unplugged from the mains power.

Occasionally wipe the cabinet with a lint free duster. Never clean the unit with liquids or solvents.

ALL RIGHTS RESERVED, COPYRIGHT DENVER ELECTRONICS A/S

DENVER®

www.denver-electronics.com



Electric and electronic equipment contains materials, components and substances that can be hazardous to your health and the environment, if the waste material (discarded electric and electronic equipment) is not handled correctly.

Electric and electronic equipment is marked with the crossed out trash can symbol, seen below. This symbol signifies that electric and electronic equipment should not be disposed of with other household waste, but should be disposed of separately.

All cities have established collection points, where electric and electronic equipment can either be submitted free of charge at recycling stations and other collection sites, or be collected from the households. Additional information is available at the technical department of your city.

Imported by:

DENVER ELECTRONICS A/S

Omega 5A. Soefte

DK-8382 Hinnerup

Denmark

[www.facebook.com/denverelectronics](https://www.facebook.com/denverelectronics)

