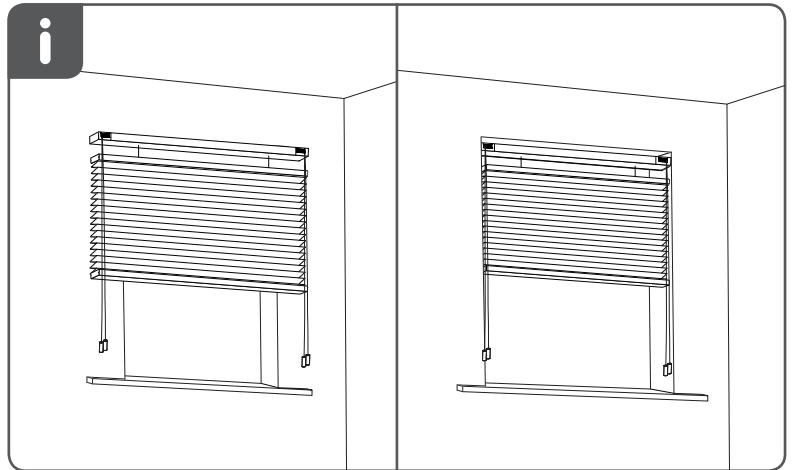
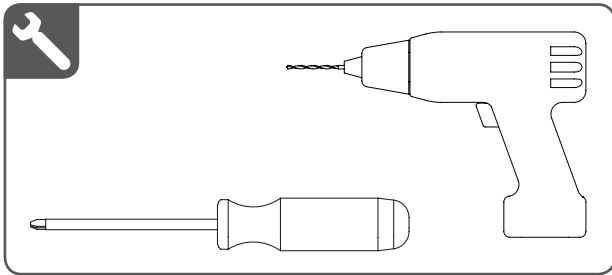
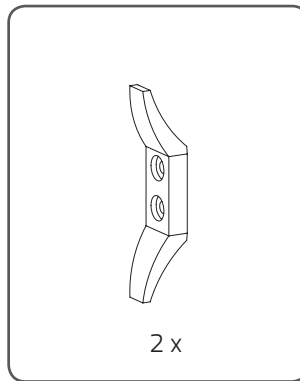
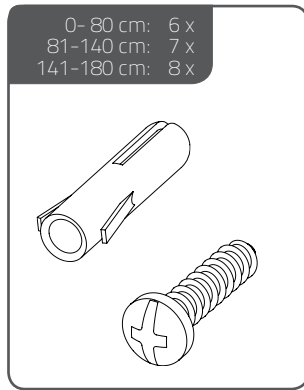
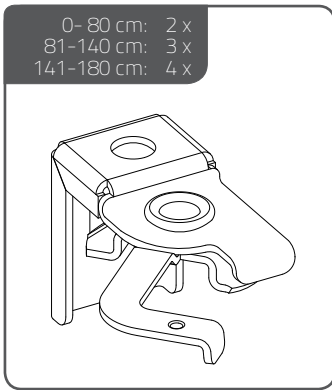
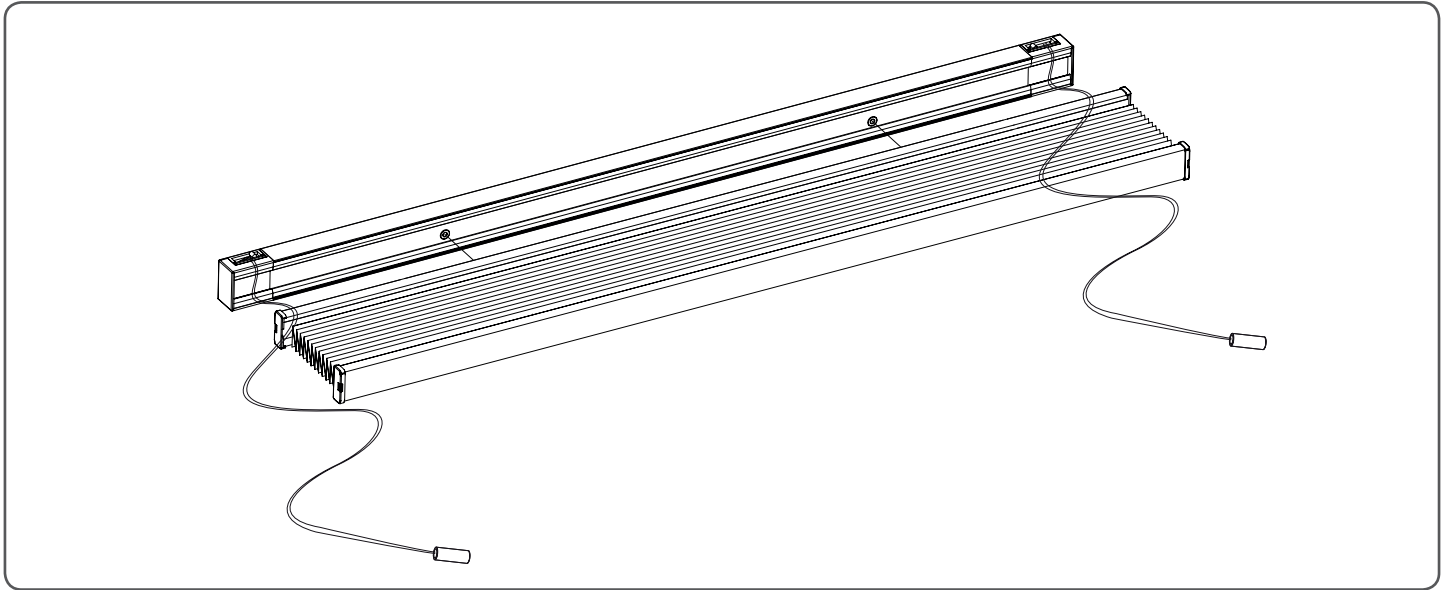


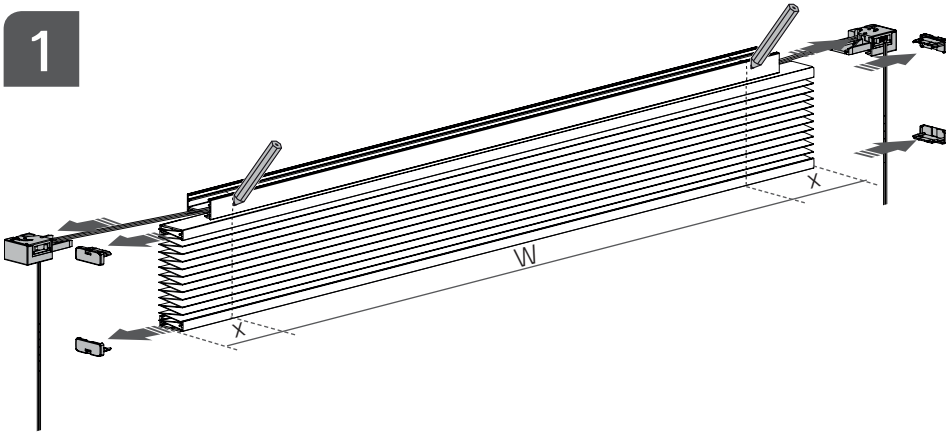


# Assembly guidance Pleated Cordlock

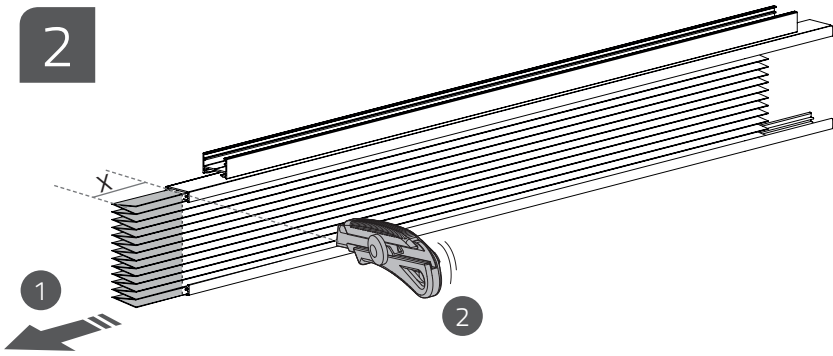




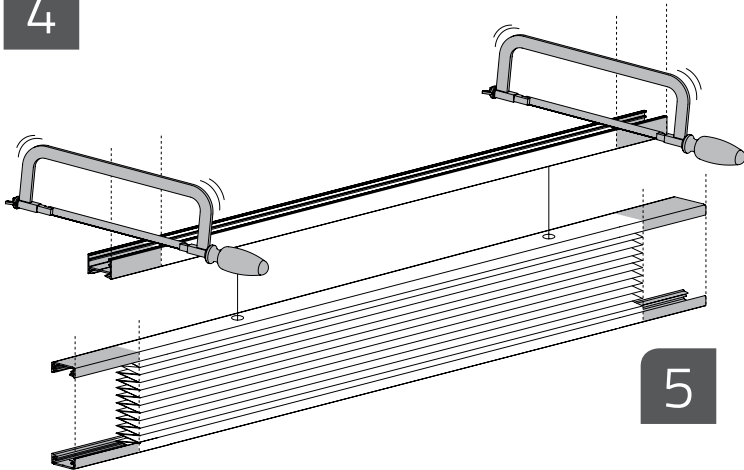
1



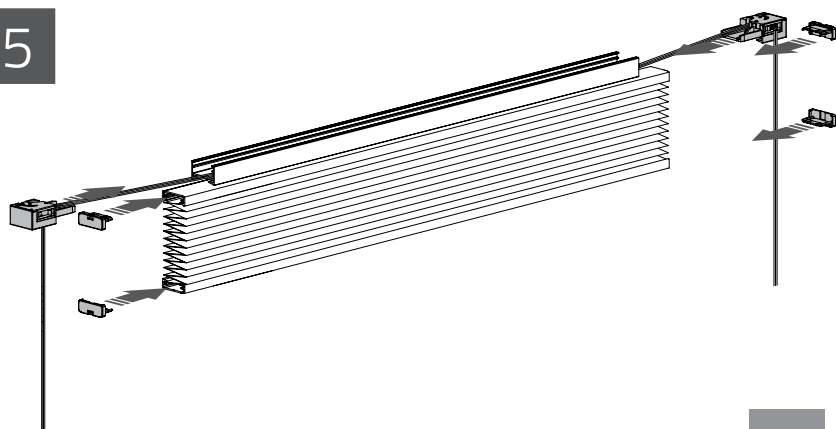
2



4



5



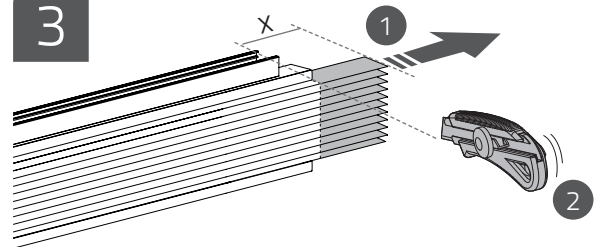
**i**

W

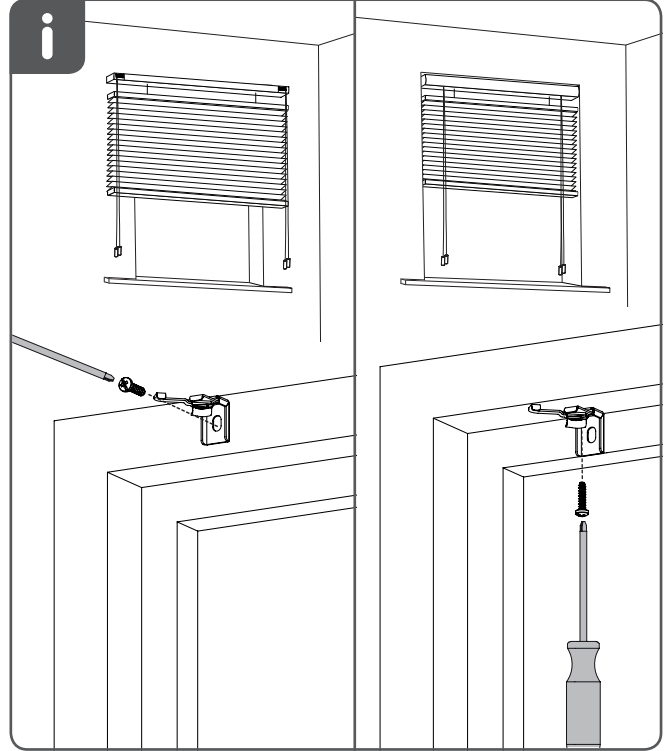
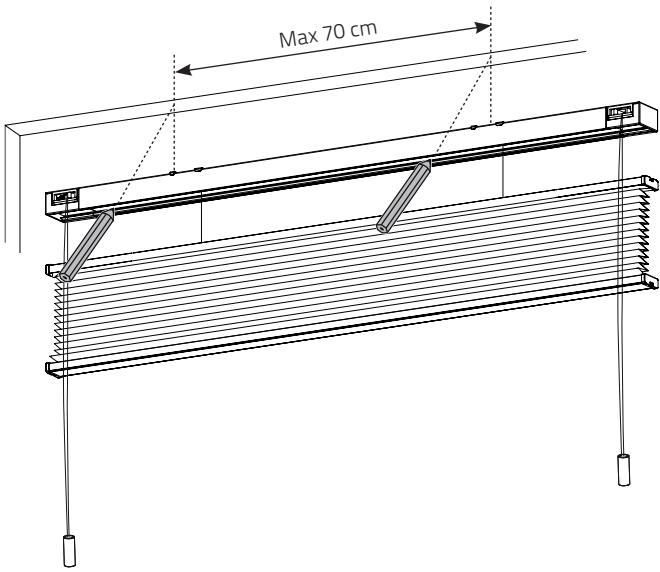
W

W	X max	W min
400	40	320
600	110	380
800	110	580
1000	110	780
1200	110	980
1400	110	1180
1600	110	1380

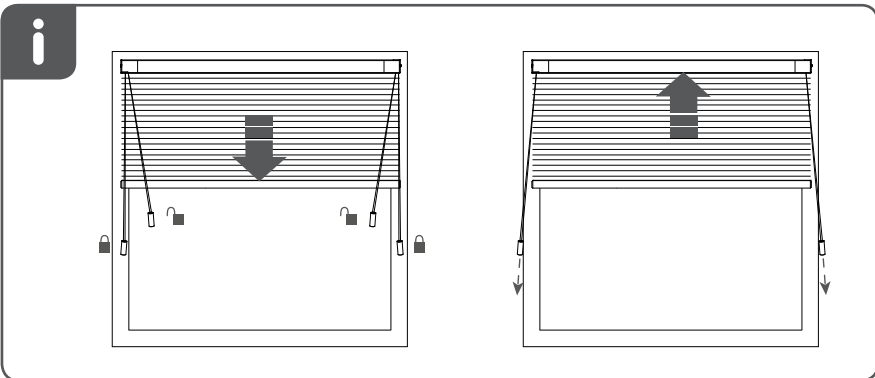
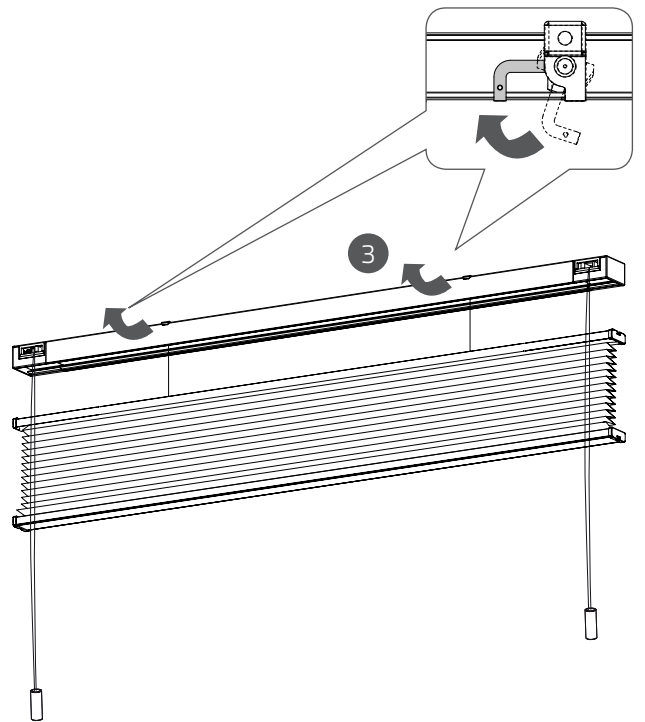
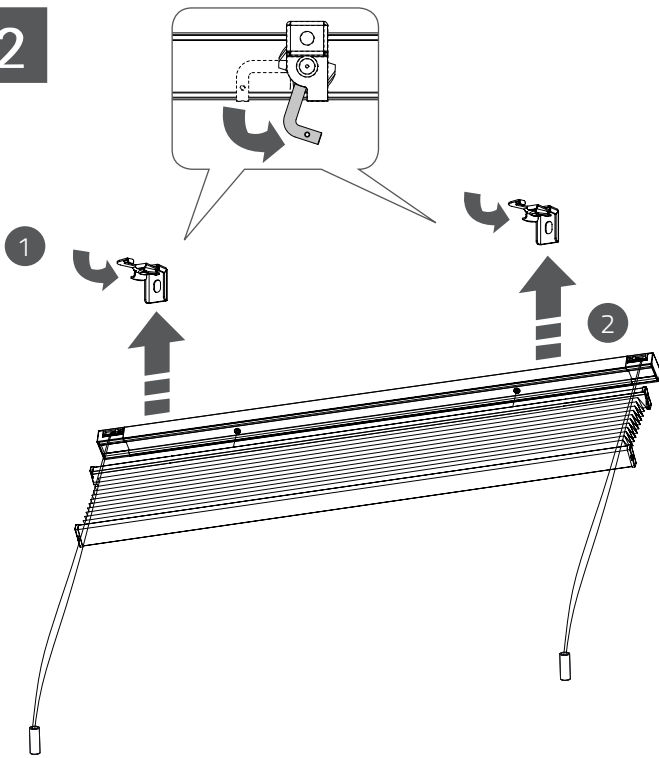
3



1



2



MN160119\_20161221