

# gear4

## STREET PARTY WIRELESS 2



Thank you for buying the GEAR4 StreetParty Wireless 2, wireless portable speaker for any Smartphone, Tablet, MP3 Player, PC or Mac with Bluetooth.

Please read this manual before use and retain it for future reference.

Box contents:

StreetParty Wireless 2 | 3.5mm audio cable  
USB cable | Quick Start Guide

Merci d'avoir acheté le haut-parleur portable sans fil GEAR4 StreetParty Wireless 2. Ce haut-parleur est compatible avec les smartphones, les tablettes, le lecteur MP3, les PC ou Mac compatibles avec Bluetooth.

Veuillez lire ce manuel avant de l'utiliser et le conserver pour référence.

Contenu du coffret :

StreetParty Wireless 2 | Câble audio de 3,5 mm  
Câble USB | Guid de prise en main

Gracias por la compra del altavoz portátil inalámbrico GEAR4 StreetParty Wireless 2 apto para cualquier smartphone, tablet, reproductor MP3, PC o Mac con Bluetooth.

Lee este manual antes de usar el producto y consérvalo para futuras consultas.

Contenido:

StreetParty Wireless 2 | Cable de audio de 3,5 mm  
Cable USB | Guía de inicio rápido

Model no. PS013

**Battery:** Li-Ion, 600 mAh **Charging:** 5V, 500mA **Output:** 6.0V $\Rightarrow$ 2.0A  $\ominus$   $\oplus$

**Dimensions:** 50 x 217 x 63 mm (1.9" x 8.5" x 2.4") **Weight:** 252 gr. (8.9 oz.)



FCC ID: 2ABMLKB102H IC: 11155A-PS013

Made in China V1.2



EN 2



FR 5



ES 8



DE 11



IT 14



PT 17



NL 20



SE 23



FI 26



DK 29



NO 32



PL 35



RU 38



TK 41



SC 44



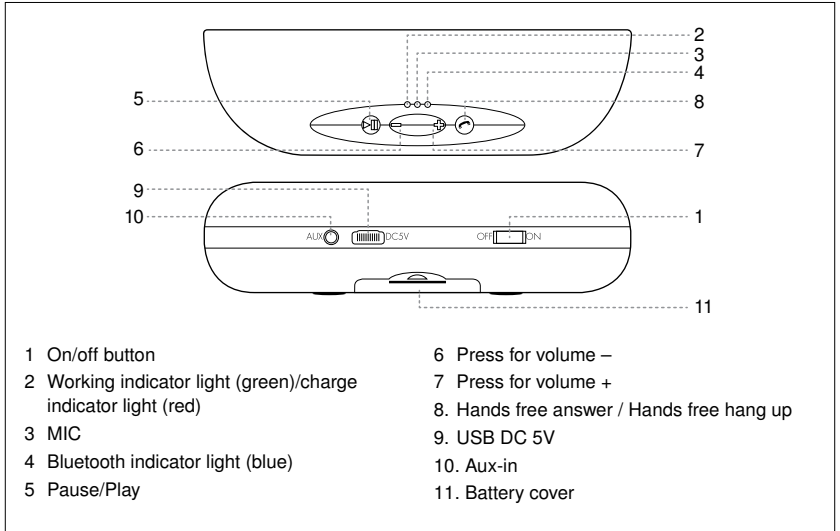
Please read before use.



- Stream music from any Bluetooth device\*
- Removable and rechargeable lithium-ion battery
- Speakerphone
- Up to 5 hours' battery life\*\*
- Aux-in port for use with other music players
- Micro-USB charging
- Soft touch finish
- Stereo sound
- Passive radiator for enhanced bass

\*Bluetooth 3.0 (A2DP) range up to 10m, depending on line of sight.  
 \*\*Battery life at maximum volume

Register your StreetParty Wireless 2 to activate your warranty and receive product updates at [www.gear4.com/register](http://www.gear4.com/register)



## Instructions for use

### Installing the battery

- Open the battery compartment and place a rechargeable battery into the base of the speaker, following the polarity markings (+/-). Guidelines for this are marked on the base of the battery compartment.

### Powering On

- Slide the On/Off switch to the "ON" position, the Blue LED will start to flash. The SPW2 will automatically enter Bluetooth mode when powered on. If an Aux (3.5 mm) cable is connected to the SPW2, the Blue LED will not illuminate. Please note: When the SPW2 is in Aux-In mode the Bluetooth mode will be disconnected.

### Powering Off

- Slide the On/Off switch to the "OFF" position, all the LED status lights will shut off.

### Bluetooth Mode

#### PAIRING

- The unit will automatically go into "Pairing Mode" when it is powered on. Go into your devices settings menu and look for "GEAR4 SPW2". After the unit has paired, it will connect automatically when the SPW2 is powered on and the device is in range.

#### PLAYING MUSIC

- Press to start playing music.
- Press either "-" or "+" for volume control.

### MAKING AND RECEIVING PHONE CALLS

- When the SPW2 is connected and paired to your device the SPW2 allows you to make or receive phone calls with its built-in microphone.
- Press to accept a call.
- To hang up a call press .
- To reject a call, press and hold the .

### Aux-In Mode

- Plug in the supplied 3.5 mm cable into the SPW2. The other end is connected to your device.

### Charging

- Attach the USB cable to the SPW2, and plug in to any USB charger. If the unit is completely discharged, it will take approximately 2.5 hours to fully charge. The Red LED will illuminate during charging, when it has completed it will turn Green.

### LED Status

Bluetooth pairing Mode:  
 Green LED & flashing Blue LED

Bluetooth connected Mode:  
 Green LED & solid Blue LED

Aux Mode: Green LED only

Charging: Red LED

Copyright © 2014 Disruptive Hong Kong Limited. All rights reserved. Reproduction in part or in whole is prohibited. GEAR4 and StreetParty Wireless 2 are trade marks of Disruptive Hong Kong Limited. iPhone and iPod touch are trade marks of Apple Inc., registered in the U.S. and other countries. iPad is a trade mark of Apple Inc. App Store is a service mark of Apple Inc.

The Bluetooth® word mark and logos are registered trademarks of Bluetooth SIG, Inc.

Disruptive Hong Kong declares that this portable speaker [PS1013] is in compliance with the essential requirements and other relevant provisions of Directive 1999/5/CE. It's possible for you to download a complete copy of this declaration on the website [www.gear4.com/DOC](http://www.gear4.com/DOC).

## WARNING

To reduce the risk of fire or electric shock, do not expose this unit to rain or moisture.

The apparatus shall not be exposed to dripping or splashing and that no objects filled with liquids, such as vases, shall be placed on the apparatus.

Danger of explosion if battery is incorrectly replaced. Replace only with the same or equivalent type.

## CAUTION

Use of controls or adjustments of performance or procedures other than those specified may result in hazardous radiation exposure.

Batteries (battery pack or batteries installed) shall not be exposed to excessive heat such as sunshine, fire or the like.

## UNPACKING AND INSTALLATION

Unpack your unit carefully. We recommend that you save the packaging in case you ever need to store your unit. To avoid damage, never place the unit or its batteries near radiators, in front of heating vents, under direct sunlight or near water.

## FOR YOUR SAFETY

- Never handle the unit with wet hands, as this could cause fire or electric shock.
- Refer servicing to qualified personnel only.
- Do not open the housing.
- Unplug the unit during lightning storms and when unused for extended periods of time.

## DISPOSAL

According to the European Directive 2002 / 96 / EC all electrical and electronic products must be collected separately by a local collection system. Please act according to your local rules and do not dispose of your old products with your normal household waste.

Do not dispose of batteries with your normal household waste. Follow local regulations for safe disposal.



The wheeled bin mark indicates that this product should not be disposed with other household waste throughout the EU. To prevent possible harm to the environment or human health from uncontrolled waste disposal, recycle it responsibly to promote the sustainable reuse of material resources. To return your used device, please use the return and collection systems or contact the retailer where the product was purchased. They can take this product for environmental safe recycling.



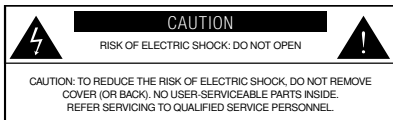
WARNING

The lightning flash with arrowhead symbol, within an equilateral triangle, is intended to alert user to the presence of uninsulated 'Dangerous Voltage' within the product's enclosure that may be of sufficient magnitude to constitute risk of electric shock to person.



WARNING

The exclamation point within an equilateral triangle is intended to alert user to the presence of important operating and maintenance (servicing) instruction in the literature accompanying the appliance.



## FCC RULES

Any changes or modifications not expressly approved by the party responsible for compliance could void the user's authority to operate this equipment.

This equipment has been tested and found to comply with the limits for a Class B digital device, pursuant to Part 15 of the FCC Rules.

These limits are designed to provide reasonable protection against harmful interference in a residential installation. This equipment generates, uses and can radiate radio frequency energy and, if not installed and used in accordance with the instructions, may cause harmful interference to radio communications.

However, there is no guarantee that interference will not occur in a particular installation. If this equipment does cause harmful interference to radio or television reception, which can be determined by turning the equipment off and on, the user is encouraged to try to correct the interference by one or more of the following measures:

- Reorient or relocate the receiving antenna.
- Increase the separation between the equipment and receiver.
- Connect the equipment into an outlet on a circuit different from that to which the receiver is connected.
- Consult the dealer or an experienced radio/TV technician for help.

## FCC RADIATION EXPOSURE STATEMENT

This equipment complies with FCC radiation exposure limits set forth for an uncontrolled environment. This equipment should be installed and operated with minimum distance 20cm between the radiator and your body.

This device complies with Part 15 of the FCC Rules. Operation is subject to the following two conditions:

- 1) This device may not cause harmful interference, and
- 2) This device must accept any interference received, including interference that may cause undesired operation.

## INDUSTRY CANADA

This device complies with Industry Canada licence-exempt RSS standard(s). Operation is subject to the following two conditions:

- 1) This device may not cause interference, and
- 2) This device must accept any interference, including interference that may cause undesired operation of the device.

Under Industry Canada regulations, this radio transmitter may only operate using an antenna of a type and maximum (or lesser) gain approved for the transmitter by Industry Canada. To reduce potential radio interference to other users, the antenna type and its gain should be so chosen that the equivalent isotropically radiated power (e.i.r.p.) is not more than necessary for successful communication.

This Class B digital apparatus complies with Canadian ICES-003.

## GEAR4

### One Year Warranty

Disruptive Hong Kong Limited, trading as GEAR4, warrants this product to be free from defects in workmanship and materials at the point of sale. Subject to this product being used in accordance with its instructions for use, the product shall continue to be free from defects, for a period of one (1) year from the date of original purchase.

Any damage or defects caused by a failure to follow the instructions which relate to this product or as the result of an accident, abuse, misuse, misapplication, product modification, faulty ancillary equipment, improper voltage or current, lightning or other acts of God, commercial non-home use, normal wear and tear, shipping damage or loss, damage to digital media players or damage caused by the actions of anyone other than Disruptive Hong Kong Limited are expressly excluded from the warranty stated above.

Disruptive Hong Kong Limited will, at its sole election, repair or replace any product that proves to be defective in either or both of workmanship or materials and as covered by this warranty. If the product is no longer manufactured or is out of stock at or after the time Disruptive Hong Kong Limited learns of the warranty claim, Disruptive Hong Kong Limited may, at its sole election, replace your product with a similar product.

Disruptive Hong Kong Limited's liability is limited to the repair or replacement, of any defective product under warranty and any incidental or consequential damages are expressly excluded to the fullest extent permitted by law. This warranty is not transferable and does not extend to users other than the person who originally purchased the product.

Nothing in this manual shall limit or exclude liability of Disruptive Hong Kong Limited for death or personal injury resulting from Disruptive Hong Kong Limited's negligence, for fraud or fraudulent misrepresentation or breach of the terms implied by Section 12 of the Sale of Goods Act 1979.

This warranty gives you specific legal rights in addition to the ones afforded you by the laws of your country. This warranty is not intended to operate to limit such legal rights.

#### Australian Consumer Law

In Australia, the Trade Practices (Australian Consumer Law) Amendment Regulations 2010 (No. 1) apply. Our goods come with guarantees that cannot be excluded under the Australian Consumer Law. You are entitled to a replacement or refund for a major failure and for compensation for any other reasonably foreseeable loss or damage. You are also entitled to have the goods repaired or replaced if the goods fail to be of acceptable quality and the failure does not amount to a major failure.

### Return Policy / Warranty Service

Warranty claims will only be valid when proof of purchase is supplied to Disruptive Hong Kong Limited to evidence that the product was purchased from an authorised Disruptive Hong Kong Limited dealer and that the claim is within one (1) year of purchase.

To make a warranty claim you must first contact Disruptive Hong Kong Limited by email to **support@gear4.com** or write to: Disruptive Hong Kong Ltd, Rm 2002, 20/F King Palace Plaza, 52A Sha Tsui Road, Tsuen Wan, Hong Kong stating your name, full postal address, contact telephone number, the name of the product and its serial number, date and place of purchase and a detailed description of the problem you are experiencing.

If the defect is covered by this warranty then you will be provided with an authorisation number and instructions for return shipment. Where possible, you must send to Disruptive Hong Kong Limited the damaged or defective product. The returned product **MUST** be accompanied by the original proof of purchase. We highly recommend that you retain a copy of this proof of purchase for your records.

To avoid any additional charges, all returns and exchanges must include the original packing materials, product box, all included accessories which may include, but not necessarily be limited to, power adapters or power cords, connecting cables, remote controls, adapters, inserts, cards and instruction manuals. The absence of any of the aforementioned items may mean that you incur a charge for their replacement. Disruptive Hong Kong Limited shall not be liable for any indirect or direct consequential loss.

Disruptive Hong Kong Limited shall not be responsible for lost or damaged products during shipment. Any product returned without the original proof of purchase will be returned without being examined or tested and such return shall be at the customer's expense.



Veuillez lire avant utilisation.

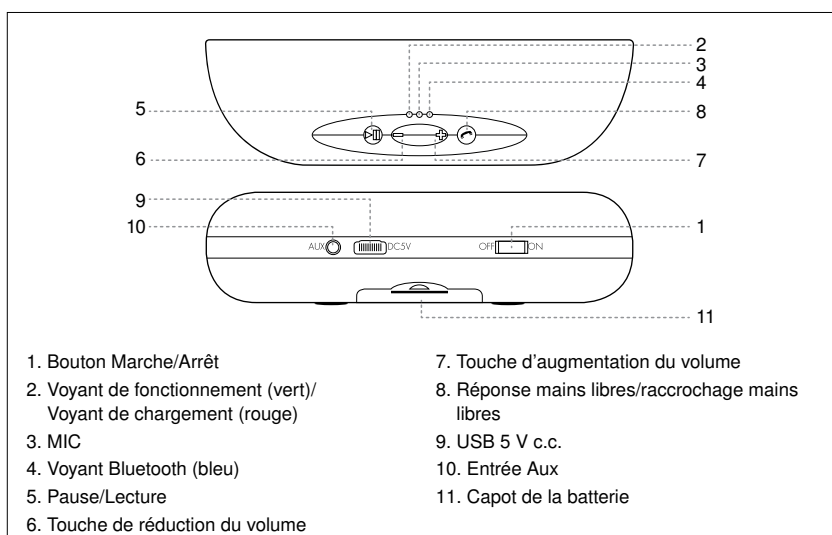
**STREET PARTY WIRELESS 2**



- Diffusez de la musique depuis tout appareil Bluetooth\*
- Batterie lithium-ion amovible et rechargeable
- Haut-parleur téléphonique
- Autonomie potentielle de 5 heures\*\*
- Prise d'entrée pour d'autres lecteurs de musique

- Chargement micro-USB
  - Finition douce au toucher
  - Son stéréo
  - Radiateur passif pour des basses optimales
- \*Portée Bluetooth 3.0 (A2DP) jusqu'à 10 m, selon la ligne de visée.  
\*\*Autonomie au volume maximal

Enregistrez votre StreetParty Wireless 2 pour activer la garantie et bénéficier de mises à jour sur [www.gear4.com/register](http://www.gear4.com/register)



## Instructions d'utilisation

### Installation de la batterie.

- Ouvrez le compartiment de la batterie et insérez une pile rechargeable dans la base du haut-parleur, en respectant les polarités (+/-). Vous trouverez des instructions à cet effet sur la base du compartiment.

### Mise sous tension

- Faites glisser le commutateur Marche/Arrêt en position « ON » ; le voyant bleu clignote. SPW2 active automatiquement le mode Bluetooth lors du démarrage. Si un câble Aux (3,5 mm) est connecté au SPW2, le voyant Bleu reste éteint. Remarque : lorsque le SPW2 est en mode Entrée Aux, le mode Bluetooth sera déconnecté.

### Mise hors tension

- Faites glisser le commutateur Marche/Arrêt en position « OFF » ; tous les voyants d'état s'arrêtent.

### Mode Bluetooth

#### ASSOCIATION

- L'unité se met automatiquement en « mode Association » au démarrage. Ouvrez le menu de configuration de vos appareils et recherchez « GEAR4 SPW2 ». Une fois l'unité associée, elle se connecte automatiquement au démarrage du SPW2 et lorsque l'appareil est à portée.

#### LECTURE DE MUSIQUE

- Appuyez sur pour écouter de la musique.

- Appuyez sur « - » ou « + » pour contrôler le volume.

#### PASSER ET RECEVOIR DES APPELS

- Lorsque le SPW2 est connecté et associé à votre appareil, il permet de passer et recevoir des appels au moyen du microphone intégré.
- Appuyez sur pour accepter un appel.
- Pour raccrocher un appel appuyez sur .
- Pour refuser un appel, faites un appui long sur .

#### Mode Entrée Aux

- Branchez le câble de 3,5 mm fourni sur le SPW2. L'autre extrémité est connectée à votre appareil.

#### Chargement

- Branchez le câble USB sur le SPW2 et le chargeur USB. Si l'unité est totalement déchargée, il lui faut environ 2,5 heures pour se charger complètement. Le voyant Rouge s'allume pendant le chargement. Une fois ce téléchargement terminé, ce voyant devient vert.

#### Voyants d'état

- Mode d'association Bluetooth : Voyants vert et bleu clignotant
- Mode Bluetooth connecté : Voyants vert et bleu fixe
- Mode Aux : voyant vert uniquement
- Chargement : voyant rouge

Copyright © 2014 Disruptive Hong Kong Limited. Tous droits réservés. Toute reproduction totale ou partielle strictement interdite. GEAR4 et StreetParty Wireless 2 sont des marques de Disruptive Hong Kong Limited. iPad, iPhone, iPod et iPod touch sont des marques de commerce d'Apple Inc., déposées aux États-Unis et dans d'autres pays. App Store est une marque de service d'Apple Inc.

Le mot Bluetooth® et les logos sont des marques déposées de Bluetooth SIG, Inc.

Disruptive Hong Kong déclare que cette enceinte portable [PS013] est conforme aux principales exigences et autres clauses pertinentes de la directive européenne 1999/5/EC. Vous trouverez la version complète de cette déclaration sur notre site Web: [www.gear4.com/DOC](http://www.gear4.com/DOC).

## AVERTISSEMENT

Pour réduire le risque d'incendie ou d'électrocution, ne pas exposer cet appareil à la pluie ni à l'humidité.

L'appareil ne doit pas être exposé à des gouttelettes ou des éclaboussures. Ne posez aucun objet contenant des liquides, tels que des vases, près de l'appareil.

Danger d'explosion si la batterie est remplacée de façon incorrecte. La batterie doit être remplacée par un modèle du même type ou équivalent, et cette opération doit uniquement être réalisée par le fabricant.

## ATTENTION

L'utilisation des commandes ou les réglages de performances par des procédures autres que celles spécifiées risquent d'entraîner une exposition à des radiations dangereuses.

Les piles (piles incluses ou installées) ne doivent pas être exposées à une chaleur excessive, notamment aux rayons directs du soleil, à une flamme ou source similaire.

## DÉBALLAGE ET INSTALLATION

Déballer l'appareil avec soin. Nous recommandons de conserver l'emballage, pour tout stockage prolongé éventuel de l'appareil. Pour éviter tout endommagement, ne jamais placer l'appareil ou ses batteries près d'un radiateur, près d'une bouche d'aération, sur un rebord de fenêtre exposé au soleil ni près d'une source d'eau.

## DANS L'INTÉRÊT DE LA SÉCURITÉ

- Ne jamais manipuler l'unité avec des mains mouillées, sous peine d'électrocution ou d'incendie.
- Consulter exclusivement un personnel qualifié pour toute réparation.
- Ne pas ouvrir le boîtier.
- Débrancher l'appareil pendant les orages avec foudre et lorsqu'il n'est pas utilisé pendant une période prolongée.

## MISE AU REBUT

Conformément à la directive européenne 2002 / 96 / EC, tout appareil électrique ou électronique doit être collecté séparément par un système local de collecte des déchets électriques et électroniques. Respecter les lois et réglementations en vigueur et ne pas mettre au rebut dans les déchets ménagers.

Ne jetez pas les piles avec les déchets ordinaires. Consultez la réglementation en vigueur.



Le symbole avec une poubelle barrée signifie que ce produit ne doit pas être mis au rebut avec les déchets ordinaires. Afin d'éviter tout risque à l'environnement ou la santé humaine lié à des mises au rebut non contrôlées, procédez à un recyclage responsable afin de promouvoir la réutilisation durable des ressources physiques. Pour renvoyer votre matériel usagé, utilisez les programmes de renvoi et collecte ou contactez votre revendeur qui pourra se charger du recyclage responsable du produit.



Le symbole de l'éclair dans un triangle équilatéral a pour but d'alerter l'utilisateur sur la présence d'une tension dangereuse non isolée à l'intérieur du boîtier du produit. Cette tension peut suffire à électrocuter l'utilisateur.



Le symbole du point d'exclamation dans un triangle équilatéral a pour but d'alerter l'utilisateur sur la présence d'instructions importantes d'utilisation et de maintenance dans la documentation accompagnant l'appareil.

## RÈGLES DE LA FCC

Toute modification non expressément approuvée par la partie responsable de la conformité risque d'annuler le droit d'utilisation de cet équipement.

Cet équipement a été testé et est conforme aux limites imposées aux appareils numériques de classe B, conformément à la section 15 des règles de la FCC.

Ces limites ont été conçues pour protéger les installations domestiques contre les interférences néfastes. Cet équipement génère, utilise et émet de l'énergie sous forme de fréquences radio et, en cas de non-respect des instructions d'installation et d'utilisation, risque de provoquer des interférences.

Il n'existe aucune garantie contre ces interférences. En cas d'interférences radio ou télévisuelles, pouvant être vérifiées en mettant hors, puis sous tension l'équipement, l'utilisateur peut tenter de résoudre le problème de l'une des façons suivantes :

Réorienter ou déplacer l'antenne de réception ;

Éloigner l'équipement du poste de réception ;

Brancher l'équipement sur une prise appartenant à un circuit différent de celui du poste de réception ;

Consulter le revendeur ou un technicien radio/TV qualifié.

## DÉCLARATION DE LA FCC SUR L'EXPOSITION AUX RADIATIONS

Ce dispositif répond aux limites de la FCC sur l'exposition aux rayonnements établies pour un environnement non-contrôlé. Il doit être installé et utilisé en respectant une distance minimale de 20 cm entre la source de radiations et votre corps.

Cet appareil est conforme à la section 15 des règles de la FCC. Son utilisation est assujettie aux deux conditions suivantes :

1) Cet équipement ne doit pas provoquer d'interférences, et

2) Ce périphérique doit tolérer les interférences, ce qui inclut les interférences qui risquent de provoquer un dysfonctionnement du périphérique.

## INDUSTRIE CANADA

Le présent appareil est conforme aux CNR d'Industrie Canada applicables aux appareils radio exempts de licence. L'exploitation est autorisée aux deux conditions suivantes :

1) l'appareil ne doit pas produire de brouillage, et

2) l'utilisateur de l'appareil doit accepter tout brouillage radioélectrique subi, même si le brouillage est susceptible d'en compromettre le fonctionnement.

Conformément à la réglementation d'Industrie Canada, le présent émetteur radio peut fonctionner avec une antenne d'un type et d'un gain maximal (ou inférieur) approuvé pour l'émetteur par Industrie Canada.

Cet appareil numérique de la classe B est conforme à la norme NMB-003 du Canada.

## Garantie d'un an Gear4

Disruptive Hong Kong Limited, sous la dénomination commerciale Gear4, garantit que ce produit est exempt de défauts de pièces et main d'œuvre sur le point de vente. Sous réserve que ce produit soit utilisé conformément à son mode d'emploi, il continuera à être exempt de tout vice pendant une période d'un (1) an à compter de la date d'achat initial.

Tout dommage ou défaut causé par un manquement à suivre les instructions qui concernent ce produit ou du fait d'un accident, d'un abus, d'un mauvais usage, d'une mauvaise application, d'une modification du produit, d'un équipement auxiliaire défectueux, d'une tension ou d'un courant inadapté(e), de la foudre ou autres catastrophes naturelles, d'une utilisation commerciale non domestique, de l'usure normale, d'un dommage ou d'une perte pendant le transport, d'un dommage aux lecteurs média numériques ou provoqué par les actions d'une autre personne que Disruptive Hong Kong Limited sont expressément exclus de la garantie stipulée ci-dessus.

Disruptive Hong Kong Limited réparera ou remplacera, à sa seule discrétion, tout produit qui s'avère être défectueux, au niveau tant de ses pièces que de sa main-d'œuvre, et couvert par la présente garantie. Si le produit n'est plus fabriqué ou est en rupture de stock au moment où ou après que Disruptive Hong Kong Limited a connaissance de la réclamation au titre de la garantie, cette dernière peut, à sa seule discrétion, remplacer votre produit par un produit similaire.

La responsabilité de Disruptive Hong Kong Limited se limite à la réparation ou au remplacement de tout produit défectueux sous garantie et tous les dommages indirects ou consécutifs sont expressément exclus dans la mesure autorisée par la loi. La présente garantie n'est pas cessible et ne s'étend pas aux utilisateurs autres que la personne qui a acheté initialement le produit.

Rien dans le présent manuel ne limitera ou n'exclura la responsabilité de Disruptive Hong Kong Limited en cas de décès ou de dommages corporels résultant de sa négligence pour fraude, fausse déclaration frauduleuse ou violation des conditions implicites à l'article 12 de la loi sur la vente de marchandises (Sale of Goods Act) de 1979.

La présente garantie vous octroie des droits légaux spécifiques en plus de ceux qui vous sont octroyés par les lois de votre pays. Cette garantie n'est pas destinée à agir pour limiter de tels droits légaux.

### Droit Australien de la Consommation

En Australie, le règlement modifié sur les pratiques commerciales (loi sur la protection du consommateur en Australie) de 2010 (n° 1) s'applique. Nos produits sont accompagnés de garanties qui ne peuvent être exclues en vertu du droit australien de la consommation. Vous avez droit à un remplacement ou à un remboursement pour défaillance majeure et à une contrepartie pour toute autre perte ou tout autre dommage raisonnablement prévisible. Vous avez également droit à ce que les marchandises soient réparées ou remplacées si elles ne sont pas d'une qualité acceptable et si le manquement ne conduit pas à une défaillance majeure.

## Politique de retour / service de garantie

Les réclamations dans le cadre de la garantie ne seront recevables que sur présentation d'une preuve d'achat à Disruptive Hong Kong Limited, afin de s'assurer que le produit a été acheté auprès d'un revendeur agréé par Disruptive Hong Kong Limited et que la réclamation tombe dans la période de un (1) an à compter de la date d'achat.

Pour déposer une réclamation, contactez Disruptive Hong Kong Limited par e-mail à l'adresse [support@gear4.com](mailto:support@gear4.com) ou écrivez à : Disruptive Hong Kong Ltd, Rm 2002, 20/F King Palace Plaza, 52A Sha Tsui Road, Tsuen Wan, Hong Kong en précisant votre nom, adresse postale complète, numéro de téléphone, nom et numéro de série du produit, date et lieu d'achat, ainsi qu'une description détaillée du problème subi.

Si le défaut est couvert par cette garantie, vous recevrez un numéro d'autorisation et des instructions de renvoi. Dans la mesure du possible, vous devez renvoyer à Disruptive Hong Kong Limited le produit endommagé ou défectueux. Le produit renvoyé **DOIT** être accompagné par la preuve d'achat d'origine. Nous recommandons fortement de conserver une copie de cette preuve d'achat pour référence.

Pour éviter des frais supplémentaires, tous les retours et les échanges doivent inclure l'emballage initial, la boîte du produit et tous les accessoires inclus, qui peuvent comprendre, non exclusivement, adaptateurs ou cordons d'alimentation, câbles de connexion, télécommandes, adaptateurs, cartes-annonces, cartes et guides d'utilisation. L'absence de l'un des éléments susvisés peut signifier que vous allez devoir payer pour leur remplacement. Disruptive Hong Kong Limited ne sera pas responsable d'une perte directe, indirecte ou consécutive.

Disruptive Hong Kong Limited ne sera pas tenue responsable des produits perdus ou endommagés pendant le transport. Tout produit retourné sans la preuve d'achat initial sera renvoyé sans être examiné ou testé et un tel retour sera à la charge du client.



Lee esta información antes de usar el producto.

**STREET  
PARTY  
WIRELESS 2**



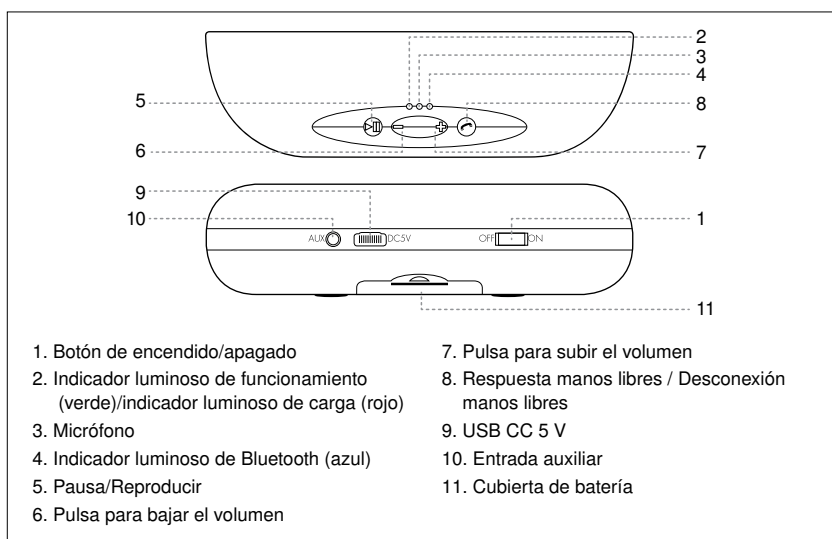
- Transmite música de cualquier dispositivo Bluetooth\*
- Batería de iones de litio extraíble y recargable
- Altavoz de teléfono
- Hasta 5 horas de autonomía de batería\*\*
- Puerto de entrada auxiliar para uso con otros reproductores de música

- Carga mediante micro-USB
- Acabado suave al tacto
- Sonido estéreo
- Radiador pasivo que mejora los sonidos bajos

\*Alcance Bluetooth 3.0 (A2DP) de hasta 10 m, dependiendo de la línea de visión.

\*\*Duración de la batería a máximo volumen

Registra StreetParty Wireless 2 en [www.gear4.com/register](http://www.gear4.com/register) para activar la garantía y recibir actualizaciones del producto.



## Instrucciones de uso

### Instalación de la batería.

- Abre el compartimento de la batería y coloca una batería recargable en la base del altavoz respetando la polaridad indicada (+/-). Las indicaciones están marcadas en la base del compartimento de la batería.

### Encendido

- Desliza el interruptor de encendido/apagado hacia la posición "ON", tras lo cual el LED azul comenzará a parpadear. El SPW2 entrará automáticamente en modo Bluetooth al encenderse. Si hay conectado un cable auxiliar (3,5 mm) al SPW2, el LED azul no se iluminará. Nota: Cuando el SPW2 esté en modo de entrada auxiliar, el modo Bluetooth estará desconectado.

### Apagado

- Desliza el interruptor de encendido/apagado hacia la posición "OFF", tras lo cual se apagarán todas las luces LED de estado.

### Modo Bluetooth

#### EMPAREJAMIENTO

- La unidad entrará en "modo de emparejamiento" al encenderse. Accede al menú de ajustes de tu dispositivo y busca "GEAR4 SPW2". Una vez emparejada la unidad, conectará automáticamente cuando el SPW2 se encienda y el dispositivo esté dentro de la distancia de alcance.

#### REPRODUCCIÓN DE MÚSICA

- Pulsa para comenzar a reproducir música.

- Pulsa "-" o "+" para controlar el volumen.

#### REALIZACIÓN Y RECEPCIÓN DE LLAMADAS TELEFÓNICAS

- Cuando el SPW2 está conectado y emparejado a tu dispositivo, el SPW2 te permite realizar o recibir llamadas telefónicas con su micrófono incorporado.
- Pulsa para aceptar una llamada.
- Para colgar, pulsa .
- Para rechazar una llamada, mantén pulsado .

#### Modo de entrada auxiliar

- Conecta el cable de 3,5 mm suministrado al SPW2. El otro extremo se conecta a tu dispositivo.

#### Carga

- Conecta el cable USB al SPW2 y conéctalo a cualquier cargador USB. Si la unidad se descarga por completo, tardará aproximadamente 2,5 horas en cargarse por completo. El LED rojo se iluminará durante la carga. Cuando termine de cargarse cambiará a verde.

#### Estado de LED

- Modo de emparejamiento Bluetooth: LED verde y LED azul intermitente
- Modo conectado Bluetooth: LED verde y LED azul fijo
- Modo auxiliar: Solo LED verde
- Carga: LED rojo

Copyright © 2014 Disruptive Hong Kong Limited. Todos los derechos reservados. Queda prohibida la reproducción total o parcial. GEAR4 y StreetParty Wireless 2 son marcas comerciales de Disruptive Hong Kong Limited. iPad, iPhone, iPod y iPod touch son marcas comerciales de Apple Inc., registradas en EE.UU. y en otros países. App Store es una marca de servicio de Apple Inc.

La marca de texto y los logotipos de Bluetooth® son marcas comerciales registradas de Bluetooth SIG, Inc.



## ADVERTENCIA

Para reducir el riesgo de fuego o descargas eléctricas, no expongas esta unidad a la lluvia o a la humedad.

El aparato no debe exponerse a goteo o salpicaduras y no deben colocarse sobre él objetos llenos de líquido, como jarrones, por ejemplo.

Peligro de explosión si la batería se sustituye de forma incorrecta. La sustitución solo deberá realizarla el fabricante y por el mismo tipo de batería u otro equivalente.

## PRECAUCIÓN

El empleo de controles o ajustes o la realización de procedimientos distintos a los especificados puede ocasionar una peligrosa exposición a radiaciones.

Las baterías (baterías o pilas instaladas) no deben exponerse a fuentes de calor excesivo, como la luz solar, el fuego, etc.

## DESEMBALAJE E INSTALACIÓN

Desembala la unidad con cuidado. Te recomendamos que guardes el embalaje por si alguna vez necesitas almacenar la unidad. Para evitar daños, no coloques nunca la unidad ni las pilas cerca de un radiador, delante de rejillas de calefacción, bajo la luz solar directa o cerca de agua.

## POR TU SEGURIDAD

- No manipules nunca la unidad con las manos húmedas, ya que podrías provocar fuego o sufrir una descarga eléctrica.



ADVERTENCIA



El símbolo de rayo con punta de flecha en el interior de un triángulo equilátero tiene como objetivo alertar al usuario de la presencia de 'tensión peligrosa' no aislada en el interior de la carcasa de este producto, tensión que puede ser suficiente para constituir un riesgo de descarga eléctrica a una persona.



ADVERTENCIA

El signo de admiración en el interior de un triángulo equilátero tiene como objetivo alertar al usuario de la presencia de instrucciones importantes

de utilización y mantenimiento (servicio) en la documentación que acompaña al dispositivo.

	<b>PRECAUCIÓN</b> RIESGO DE DESCARGA ELÉCTRICA; NO ABRIR.	
<small>PRECAUCIÓN: PARA REDUCIR EL RIESGO DE DESCARGA ELÉCTRICA, NO RETIRES LA CUBIERTA (NI LA PARTE POSTERIOR). EN EL INTERIOR NO HAY NINGÚN COMPONENTE QUE PUEDA REPARAR EL USUARIO. ACUDE EXCLUSIVAMENTE A PERSONAL DE SERVICIO CUALIFICADO.</small>		

- Acude exclusivamente a personal cualificado si necesitas reparar la unidad.
- No abras la carcasa.
- Desconecta la unidad durante tormentas con aparato eléctrico y cuando no lo vayas a usar durante largo tiempo.

## DESECHO

De conformidad con la Directiva europea 2002 / 96 / EC, todos los productos eléctricos y electrónicos deben desecharse por separado en el sistema de recogida de residuos. Actúa conforme a la legislación local y no tires los productos viejos junto a los residuos domésticos.

Sigue la normativa local para deshacerte de las baterías o pilas de forma segura.



El símbolo de contenedor con ruedas indica que este producto no debe desecharse con otros residuos domésticos en la UE. Para evitar posibles daños al medio ambiente o a la salud humana por vertidos incontrolados, recíclalo de forma responsable con el fin de promover la reutilización sostenible de materias primas. Para devolver el dispositivo usado, usa los sistemas de devolución y recogida o contacta con el establecimiento en el que compraste el producto. Ellos pueden encargarse de que este producto se recicle de forma segura para el medio ambiente.

# Garantía de un año de GEAR4

Disruptive Hong Kong Limited, que opera bajo la marca GEAR4, garantiza que este producto está libre de defectos de fabricación y materiales en el punto de venta. Siempre y cuando el producto haya sido utilizado con arreglo a sus instrucciones de uso, el producto deberá continuar libre de defectos durante un periodo de un (1) año desde la fecha de compra original.

Queda excluido expresamente de la antedicha garantía cualquier daño o defecto provocado por no seguir las instrucciones correspondientes a este producto o como resultado de un accidente, abuso, uso indebido, aplicación incorrecta, modificación del producto, equipo auxiliar defectuoso, tensión o corriente inadecuada, rayo u otro fenómeno de la naturaleza, uso comercial no doméstico, desgaste normal, daño o pérdida durante su envío, daño en los reproductores multimedia digitales o daño provocado por la acción de cualquier persona ajena a Disruptive Hong Kong Limited.

Disruptive Hong Kong Limited, a su entera discreción, reparará o sustituirá cualquier producto que se demuestre que está defectuoso, ya sea por defecto de fabricación o de materiales, y con arreglo a la cobertura de esta garantía. Si el producto ya no se fabrica o está agotado en la fecha o con posterioridad a la fecha en que Disruptive Hong Kong Limited tenga conocimiento de la reclamación de la garantía, Disruptive Hong Kong Limited, a su entera discreción, sustituirá su producto por un producto similar.

La responsabilidad de Disruptive Hong Kong Limited está limitada a la reparación o sustitución de cualquier producto defectuoso en garantía, por lo que se excluye expresamente todo daño incidental o derivado en la medida en que la legislación lo permita. Esta garantía no es transferible y no cubre a usuarios distintos de la persona que comprara originalmente el producto.

Nada de lo expuesto en este manual limita o excluye la responsabilidad de Disruptive Hong Kong Limited por muerte o lesiones provocadas por negligencia de Disruptive Hong Kong Limited, por fraude, falseamiento ilícito o incumplimiento de los términos que implica la sección 1 de la ley británica de 1979 relativa a la venta de artículos (Sale of Goods Act 1979).

La presente garantía le otorga derechos legales específicos adicionales a aquellos que le confiera la legislación de su país. Esta garantía no tiene como objetivo limitar dichos derechos legales.

## Ley australiana del consumidor

En Australia, es de aplicación la normativa de enmiendas de 2010 (nº1) a las prácticas comerciales (Ley australiana del consumidor: Trade Practices -Australian Consumer Law- Amendment Regulations 2010 -No. 1-). Nuestros artículos se suministran con garantías que, de conformidad con la Ley australiana del consumidor, no pueden excluirse. Usted tendrá derecho a una sustitución o devolución por un fallo importante y a una compensación por cualquier otra pérdida o daño razonablemente

previsible. También tendrá derecho a que el producto le sea reparado o sustituido si este no es de calidad aceptable y el fallo no constituye un fallo importante.

## Política de devolución / Servicio de garantía

Las reclamaciones de garantía solo serán válidas si se aporta justificante de compra a Disruptive Hong Kong Limited para acreditar que el producto fue adquirido de un proveedor autorizado de Disruptive Hong Kong Limited y que la reclamación se produce dentro del plazo de un (1) año desde la fecha de compra.

Para realizar una reclamación de la garantía, primero deberá ponerse en contacto con Disruptive Hong Kong Limited por correo electrónico en la dirección [support@gear4.com](mailto:support@gear4.com) o escribir a: Disruptive Hong Kong Ltd, Rm 2002, 20/F King Palace Plaza, 52A Sha Tsui Road, Tsuen Wan, Hong Kong, indicando su nombre, dirección postal completa, número de teléfono, el nombre del producto y su número de serie, fecha y lugar de compra y una descripción detallada del problema que está experimentando.

Si el defecto está cubierto por esta garantía, se le proporcionará un número de autorización e instrucciones para realizar el envío de devolución. En la medida de lo posible, deberá enviar a Disruptive Hong Kong Limited el producto dañado o defectuoso. El producto devuelto tendrá que ir **OBLIGATORIAMENTE** acompañado del justificante de compra original. Recomendamos encarecidamente que conserve una copia de dicho justificante de compra.

Para evitar cualquier cargo adicional, todas las devoluciones y cambios deberán incluir los materiales de embalaje originales, la caja del producto, todos los accesorios incluidos, que pueden ser, entre otros, adaptadores de alimentación o cables de alimentación, cables de conexión, mandos a distancia, elementos insertados, tarjetas y manuales de instrucciones. La ausencia de cualquiera de los artículos anteriormente mencionados puede suponer que se le efectúe un cobro por el artículo sustituto. Disruptive Hong Kong Limited no asumirá responsabilidad alguna por pérdidas indirectas o directas emergentes.

Disruptive Hong Kong Limited no asumirá responsabilidad alguna por productos perdidos o dañados durante su envío. Todo producto devuelto sin el justificante de compra original será devuelto sin ser examinado ni comprobado y el cliente deberá correr con los gastos de la devolución.

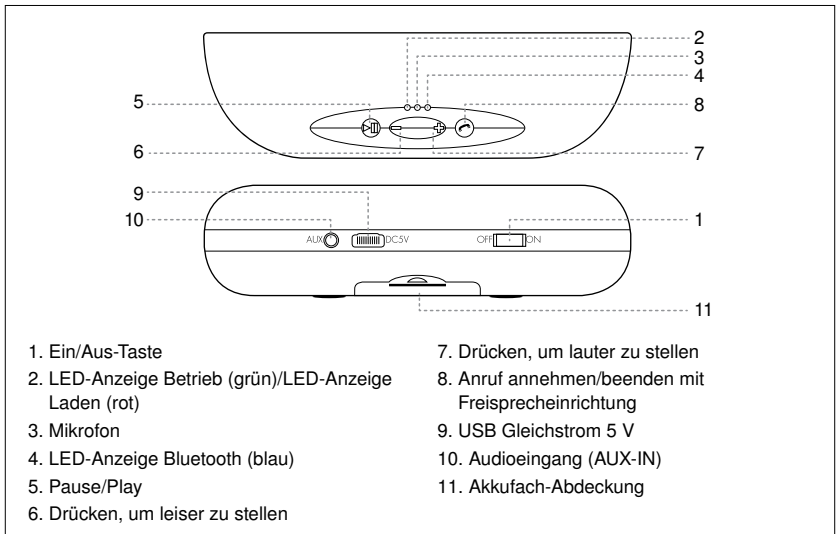


Bitte vor Verwendung lesen.



- Musik-Streaming von jedem Bluetooth-Gerät\*
  - Herausnehmbarer und wiederaufladbarer Lithiumionen-Akku
  - Freisprecheinrichtung
  - Akkulebensdauer von bis zu 5 Stunden\*
  - Audio-Eingang (AUX-IN) zur Verwendung mit anderen Musikplayern
  - Aufladen über Mikro-USB-Anschluss
  - Finish mit weicher Oberfläche
  - Stereosound
  - Optimierter Bass durch passiven Strahler
- \*Bluetooth 3.0-(A2DP)-Reichweite bis zu 10 m, je nach Sichtlinie.  
\*\*Akkulebensdauer bei maximaler Lautstärke

Um die Garantie zu aktivieren und Produkt-Updates zu erhalten, registrieren Sie Ihre StreetParty Wireless 2-Kopie unter [www.gear4.com/register](http://www.gear4.com/register)



## Bedienungsanleitung

### Einlegen des Akkus

- Öffnen Sie das Akkufach und legen Sie unter Beachtung der Polungssymbole (+/-) einen wiederaufladbaren Akku ein. Unten am Batteriefach sind entsprechende Symbole angegeben.

### Einschalten

- Bewegen Sie den Ein/Aus-Schalter auf „EIN“. Die blaue LED beginnt zu blinken. Der SPW2 befindet sich nach dem Einschalten automatisch im Bluetooth-Modus. Wenn ein AUX-Kabel (3,5 mm) an den SPW2 angeschlossen wird, leuchtet die blaue LED nicht auf. Hinweis: Befindet sich der SPW 2 im AUX-IN-Modus, ist Bluetooth abgeschaltet.

### Ausschalten


- Bewegen Sie den Ein/Aus-Schalter auf „AUS“. Alle LED-Statusanzeigen erlöschen.

### Bluetooth-Modus




#### PAIRING (VERBINDUNG HERSTELLEN)

- Das Gerät wechselt beim Einschalten automatisch in den „Pairing-Modus“. Öffnen Sie das Einstellen-Menü Ihres Geräts und suchen Sie „GEAR4 SPW2“. Nach dem Pairing wird automatisch eine Verbindung hergestellt, wenn der SPW2 eingeschaltet ist und das Gerät sich in Reichweite befindet.

#### MUSIKWIEDERGABE

- Drücken Sie , um mit der Musikwiedergabe zu beginnen.
- Drücken Sie entweder „-“ oder „+“, um die Lautstärke zu regeln.

#### TELEFONIEREN

- Wenn der SPW2 angeschlossen ist und mit Ihrem Gerät gepairt wurde, können Sie mit dem SPW2 über das eingebaute Mikrofon Anrufe tätigen oder entgegennehmen.
- Drücken Sie , um einen Anruf anzunehmen.
- Um ein Telefongespräch zu beenden, drücken Sie .
- Um einen Anruf abzuweisen, halten Sie  gedrückt.

#### AUX-IN-Modus

- Schließen Sie das mitgelieferte 3,5-mm-Kabel am SPW2 an. Das andere Ende wird mit Ihrem Gerät verbunden.

#### Laden

- Schließen Sie das USB-Kabel am SPW2 an und stecken Sie das andere Ende in ein USB-Ladegerät. Bei kompletter Entladung dauert es ungefähr 2,5 Stunden, um den Lautsprecher wieder vollständig aufzuladen. Die LED leuchtet während des Ladens rot. Nach Abschluss des Ladevorgangs leuchtet sie grün.

#### LED-Status

- Bluetooth-Pairing-Modus: grüne LED und blaue LED blinkt
- Bluetooth-Verbunden-Modus: grüne LED und blaue LED konstant
- AUX-IN-Modus: nur grüne LED
- Aufladen: rote LED

## WARNUNG

Um die Gefahr eines Brandes oder elektrischen Schlages so gering wie möglich zu halten, sollten Sie dieses Gerät vor Regen oder Feuchtigkeit schützen.

Schützen Sie das Gerät vor tropfenden oder spritzenden Flüssigkeiten, und stellen Sie keine mit Flüssigkeiten gefüllten Gefäße (z. B. Vasen) auf das Produkt.

Es besteht Explosionsgefahr, wenn die Batterie falsch ersetzt wird. Batterie darf nur vom Hersteller und durch gleichen oder gleichwertigen Typ ersetzt werden.

## VORSICHT

Durch die Verwendung von Bedienelementen oder Einstellungen oder die Durchführung von Abläufen, die nicht in dieser Anleitung aufgeführt sind, können Benutzer gefährlicher Strahlung ausgesetzt werden.

Batterien (Batteriesatz oder eingelegte Batterien) dürfen nicht übermäßiger Hitze ausgesetzt werden, wie z. B. Sonneneinstrahlung, Feuer oder ähnlichem.

## AUSPACKEN UND INSTALLIEREN

Packen Sie das Gerät vorsichtig aus. Es empfiehlt sich, die Verpackung für den Fall aufzubewahren, dass Sie das Gerät einmal lagern müssen. Stellen Sie das Gerät oder seine Akku nicht in der Nähe von Heizkörpern oder vor einem Heizlüfter auf, und setzen Sie es weder direkter Sonneneinstrahlung noch Feuchtigkeit aus, um eine Beschädigung zu vermeiden.

## ZU IHRER SICHERHEIT



- Fassen Sie das Gerät nicht mit nassen Händen an, da dies einen Brand oder elektrischen Schlag verursachen kann.



Das Blitzsymbol in einem gleichseitigen Dreieck soll den Benutzer auf nicht isolierte „gefährliche Spannung“ im Gehäuse des Produkts aufmerksam machen, die eventuell stark genug ist, um elektrische Schläge zu verursachen.



Das Ausrufezeichen in einem gleichseitigen Dreieck soll den Benutzer auf wichtige Anweisungen für die Bedienung und Instandhaltung (Wartung) in den begleitenden Unterlagen aufmerksam machen.

	<b>VORSICHT</b> GEFAHR ELEKTRISCHER SCHLÄGE - NICHT ÖFFNEN	
<small>VORSICHT: ENTFERNEN SIE NICHT DIE ABDECKUNG (ODER RÜCKSEITE). UM ELEKTRISCHE SCHLÄGE ZU VERMEIDEN GERÄTEINTEILE KÖNNEN VOM BENUTZER NICHT GEWARTET WERDEN. LASSEN SIE WARTUNGSARBEITEN NUR VON QUALIFIZIERTEM WARTUNGSPERSONAL AUSFÜHREN.</small>		

- Überlassen Sie Wartungsarbeiten nur qualifiziertem Personal.
- Öffnen Sie das Gehäuse nicht.
- Ziehen Sie bei Gewittern, und wenn das Gerät längere Zeit nicht verwendet wird, den Gerätestecker aus der Steckdose.

## ENTSORGUNG

Gemäß der europäischen Richtlinie 2002 / 96 / EG müssen alle elektrischen und elektronischen Produkte im Rahmen eines örtlichen Sammelsystems getrennt entsorgt werden. Bitte halten Sie die örtlichen Vorschriften ein und entsorgen Sie Ihre alten Produkte nicht zusammen mit dem normalen Hausmüll.

Entsorgen Sie Batterien nicht mit dem normalen Hausmüll. Befolgen Sie die örtlichen Vorschriften für die sichere Entsorgung.



Das Abfalltonne-Symbol bedeutet, dass das vorliegende Produkt innerhalb der EU nicht zusammen mit dem Hausmüll entsorgt werden darf. Um schädliche Auswirkungen auf Umwelt und Gesundheit durch unsachgemäße Entsorgung zu verhindern, sollte es verantwortungsbewusst recycelt werden, um die nachhaltige Wiederverwendung von Materialressourcen zu fördern. Verwenden Sie zur Rückgabe Ihres gebrauchten Geräts bitte die Rückgabe- und Sammelsysteme oder wenden Sie sich an den Händler, bei dem das Produkt gekauft wurde. Er kann dieses Produkt annehmen und einer umweltfreundlichen Wiederverwertung zuführen.

# Einjährige Garantie von GEAR4

Disruptive Hong Kong Limited, firmierend als GEAR4, garantiert, dass dieses Produkt zum Zeitpunkt des Verkaufs frei von Fertigungs- und Materialfehlern ist. Die Verwendung dieses Produkts gemäß Gebrauchsanweisung vorausgesetzt, garantieren wir für einen Zeitraum von einem (1) Jahr ab dem ursprünglichen Kaufdatum die Fehlerfreiheit des Produkts.

Schäden oder Defekte, die durch die Nichtbeachtung der für dieses Produkt geltenden Gebrauchsanweisung verursacht wurden oder das Ergebnis von Unfällen, absichtlichem oder fahrlässigem Missbrauch, unsachgemäßem Gebrauch, Veränderungen des Produkts, fehlerhaftem Zubehör, falscher Stromspannung oder -stärke, Blitzschlag oder anderen Fällen höherer Gewalt, gewerblichem Gebrauch, natürlicher Abnutzung, Beschädigung bzw. Verlust beim Versand, Beschädigungen digitaler Medienplayer oder Beschädigungen sind, die durch Handlungen Dritter verursacht wurden, d. h. nicht von Disruptive Hong Kong Limited, sind von der vorgenannten Garantie ausdrücklich ausgenommen.

Disruptive Hong Kong Limited hat nach ausschließlich eigenem Ermessen die Wahl, Produkte, die nachweislich von vorliegender Garantie erfasste Fertigungs- oder Materialfehler aufweisen, zu reparieren oder zu ersetzen. Wird das Produkt zum oder nach dem Zeitpunkt, zu dem Disruptive Hong Kong Limited vom Garantieanspruch Kenntnis erhält, nicht mehr hergestellt oder ist es nicht mehr auf Lager, kann Disruptive Hong Kong Limited das Produkt nach eigenem Ermessen durch ein ähnliches Produkt ersetzen.

Die Haftung von Disruptive Hong Kong Limited ist auf Reparatur oder Ersatz defekter, von der Garantie erfasster Produkte beschränkt; der Ersatz von zufälligen Schäden oder Folgeschäden ist im weitesten rechtlich zulässigen Umfang ausdrücklich ausgeschlossen. Diese Garantie ist nicht übertragbar und gilt nur für die Person, die das Produkt ursprünglich erworben hat, aber nicht für dritte Personen.

Nichts in diesem Handbuch kann die Haftung von Disruptive Hong Kong Limited bei Todesfall oder Körperverletzung infolge der Fahrlässigkeit von Disruptive Hong Kong Limited, bei Betrug oder arglistiger Täuschung oder Verletzung der Verpflichtungen aus Absatz 12 des Sale of Goods Act 1979 einschränken oder ausschließen.

Die vorliegende Garantie räumt Ihnen zusätzlich zu den nach den rechtlichen Bestimmungen Ihres Landes bestehenden Rechten weitere besondere Rechte ein. Die vorliegende Garantie hat nicht den Zweck, derartige Rechte einzuschränken.

## Australisches Verbraucherschutzrecht

In Australien gelten die Trade Practices (Australian Consumer Law) Amendment Regulations 2010 (Nr. 1). Für unsere Waren gelten Garantien, die nach australischem Verbraucherschutzrecht nicht ausgeschlossen werden können. Bei Auftreten erheblicher Mängel haben Sie Anspruch auf Ersatz oder Rückerstattung; bei anderen vernünftigerweise voraussehbaren Verlusten oder Schäden haben Sie Anspruch auf Entschädigung. Sie haben auch einen Anspruch auf Reparatur oder Ersatz von Waren, die keine annehmbare Qualität aufweisen, wenn dieser Mangel keinen erheblichen Mangel darstellt.

## Rücksendungen / Garantieleistungen

Garantieansprüche werden nur berücksichtigt, wenn Disruptive Hong Kong Limited ein Kaufbeleg vorgelegt wird, der nachweist, dass das Produkt von einem autorisierten Disruptive Hong Kong Limited-Händler gekauft wurde, und dass der Anspruch innerhalb eines (1) Jahres nach Kauf gestellt wird.

Um einen Garantieanspruch geltend zu machen, kontaktieren Sie zuerst Disruptive Hong Kong Limited per E-Mail an [support@gear4.com](mailto:support@gear4.com) oder schriftlich an Disruptive Hong Kong Ltd, Rm 2002, 20/F King Palace Plaza, 52A Sha Tsui Road, Tsuen Wan, Hongkong. Bitte geben Sie Ihren vollständigen Namen, Ihre vollständige Postadresse, Ihre Telefonnummer, die Bezeichnung und Seriennummer des Produkts sowie Kaufdatum und -ort an und beschreiben Sie das aufgetretene Problem ausführlich.

Wenn der Mangel durch diese Garantie abgedeckt wird, erhalten Sie eine Genehmigungsnummer und Rücksendeanweisungen. Soweit möglich müssen Sie das beschädigte oder defekte Produkt an Disruptive Hong Kong Limited senden. Dem zurückgesandten Produkt **MUSS** der Original-Kaufbeleg beigelegt werden. Wir empfehlen Ihnen unbedingt, eine Kopie dieses Kaufbelegs für Ihre Unterlagen einzubehalten.

Zur Vermeidung zusätzlicher Kosten müssen bei allen Rückgabe- und Umtauschaktionen Originalverpackung, Produktbehälter und alle Zubehörteile, darunter (ohne darauf beschränkt zu sein) Netzadapter, Netzkabel, Anschlusskabel, Fernbedienungen, Adapter, Einsätze, Karten und Gebrauchsanweisung, eingeschickt werden. Sollten Gegenstände der genannten Art fehlen, wird Ihnen der Umtausch womöglich in Rechnung gestellt. Disruptive Hong Kong Limited haftet nicht für indirekte oder direkte Folgeschäden.

Disruptive Hong Kong Limited ist nicht verantwortlich für Produkte, die beim Versand verloren gehen oder beschädigt werden. Produkte, die ohne Original-Kaufbeleg zurückgesandt werden, werden auf Kosten des Kunden zurückgeschickt, ohne untersucht oder getestet zu werden.



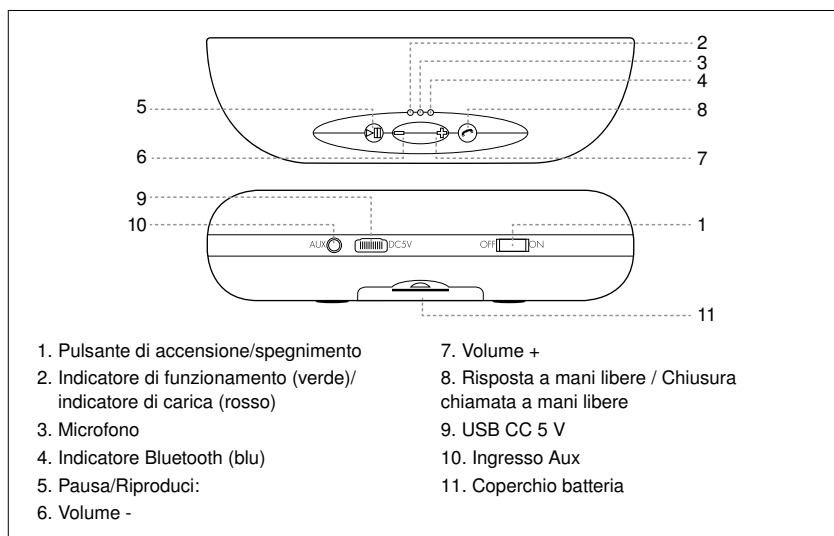
Leggere prima dell'uso.

**STREET PARTY WIRELESS 2**



- Musica in streaming da qualsiasi dispositivo Bluetooth\*
  - Batteria agli ioni di litio rimovibile e ricaricabile
  - Vivavoce
  - Autonomia della batteria fino a 5 ore\*\*
  - Porta di ingresso Aux per altri lettori musicali
  - Carica via micro-USB
  - Finitura morbida
  - Suono stereo
  - Trasmettitore passivo per bassi avanzati
- \*Raggio d'azione Bluetooth 3.0 (A2DP) fino a 10 m, a seconda della visuale.  
\*\*Autonomia della batteria a volume massimo

Registrate StreetParty Wireless 2 su [www.gear4.com/register](http://www.gear4.com/register) per attivare la garanzia e ricevere gli aggiornamenti del prodotto.



## Istruzioni per l'uso

### Installazione della batteria.

- Aprire il vano batteria e inserire una batteria ricaricabile nella base dell'altoparlante, rispettando gli indicatori di polarità (+/-). Le indicazioni da seguire sono riportate sulla base del vano batteria.

### Accensione

- Spostare l'interruttore di accensione in posizione "ON"; l'indicatore luminoso blu inizierà a lampeggiare. SPW2 entrerà automaticamente in modalità Bluetooth dopo l'accensione. Se al dispositivo SPW2 è collegato un cavo Aux (3,5 mm), l'indicatore blu non si accenderà. Nota: Quando SPW2 è in modalità Aux-In, la modalità Bluetooth è inattiva.

### Spegnimento

- Spostare l'interruttore di accensione in posizione "OFF"; tutti gli indicatori di stato si spengheranno.

### Modalità Bluetooth

#### ACCOPIAMENTO

- L'unità entrerà automaticamente nella "modalità di accoppiamento" dopo l'accensione. Accedere al menu delle impostazioni del dispositivo e cercare "GEAR4 SPW2". Una volta eseguito il primo accoppiamento, l'unità si conatterà automaticamente ogni volta che SPW2 viene acceso e il dispositivo è nel raggio d'azione.

#### RIPRODUZIONE DI BRANI MUSICALI

- Premere per iniziare a riprodurre la musica.

- Premere "-" o "+" per controllare il volume.

#### ESECUZIONE E RICEZIONE DI CHIAMATE TELEFONICHE

- Quando SPW2 è collegato e accoppiato al dispositivo, SPW2 consente di fare e ricevere telefonate utilizzando il microfono incorporato.
- Premere per accettare una chiamata.
- Per riagganciare, premere .
- Per rifiutare una chiamata, premere e tenere premuto .

#### Modalità Aux-In

- Collegare il cavo da 3,5 mm fornito all'unità SPW2. Collegare l'altra estremità al dispositivo.

#### Carica

- Collegare il cavo USB all'unità SPW2 e l'altra estremità a qualsiasi caricatore USB. Se l'unità è completamente scarica, saranno necessarie circa 2,5 ore per ricaricarla. L'indicatore rosso rimane acceso durante la carica e diventa verde quando la carica è completa.

#### Stato degli indicatori

- Modalità di accoppiamento Bluetooth: indicatore verde e indicatore blu lampeggiante
- Modalità di connessione Bluetooth: indicatore verde e indicatore blu fisso
- Modalità Aux: solo indicatore verde
- Carica: indicatore rosso

Copyright © 2014 Disruptive Hong Kong Limited. Tutti i diritti riservati. La riproduzione per intero o in parte è vietata. GEAR4 e StreetParty Wireless 2 sono marchi commerciali di Disruptive Hong Kong Limited. iPad, iPhone, iPod e iPod touch sono marchi commerciali di Apple Inc., registrati negli Stati Uniti e in altri Paesi. App Store è un marchio di servizio di Apple Inc.

Bluetooth® e i relativi logotipi sono marchi registrati di Bluetooth SIG, Inc.

## AVVERTENZA

Per ridurre il rischio di incendi o scosse elettriche, non esporre questa unità alla pioggia o all'umidità.

Non esporre l'apparecchio a possibili infiltrazioni o spruzzi e non appoggiare su di esso contenitori pieni d'acqua, ad esempio vasi.

Pericolo di esplosione se la batteria viene sostituita in modo errato. La sostituzione deve essere effettuata solo dal costruttore e con lo stesso tipo o equivalente.

## ATTENZIONE

Se si utilizzano i controlli e si regolano le prestazioni diversamente da come specificato, potrebbe verificarsi un'esposizione pericolosa alle radiazioni.

Non esporre le batterie (gruppo batterie o batterie installati) a temperature eccessive, ad esempio alla luce diretta del sole, a fiamme o simili.

## DISIMBALLAGGIO E INSTALLAZIONE

Disimballare l'unità con cura. Si consiglia di conservare l'imballaggio per riporvi l'unità quando non la si utilizza per lungo tempo. Per evitare danni, non posizionare l'unità o le batterie vicino a un termosifone, davanti a una fonte di calore, alla luce diretta del sole o vicino all'acqua.

## INFORMAZIONI PER LA SICUREZZA

- Non maneggiare mai l'unità con le mani bagnate, in quanto questo potrebbe provocare incendi o scosse elettriche.
- Per le riparazioni, rivolgersi esclusivamente a personale qualificato.



AVVERTENZA

Il simbolo del fulmine con punta a freccia all'interno di un triangolo equilatero avverte l'utente della presenza di una 'tensione pericolosa' non isolata nello chassis del prodotto, che potrebbe comportare il rischio di scosse elettriche per le persone.



AVVERTENZA

Il punto esclamativo all'interno di un triangolo equilatero segnala la presenza di istruzioni importanti relative al funzionamento e alla manutenzione (riparazione) nella documentazione fornita in dotazione con l'apparecchio.

- Non aprire l'alloggiamento.
- Scollegare l'unità dall'alimentazione durante i temporali e se non la si utilizza per lunghi periodi di tempo.

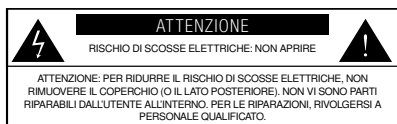
## SMALTIMENTO

In base alla direttiva europea 2002 / 96 / CE, tutte le apparecchiature elettriche ed elettroniche devono essere smaltite separatamente presso un punto di raccolta locale autorizzato. Procedere in base alle norme locali vigenti e non smaltire i prodotti insieme ai normali rifiuti domestici.

Non smaltire le batterie con i normali rifiuti domestici. Attenersi alle normative locali per smaltirle in modo sicuro.



Il marchio raffigurante un cassettono per i rifiuti indica che il prodotto NON deve essere smaltito con i normali rifiuti domestici, nell'intera Unione Europea. Per prevenire possibili danni all'ambiente o alla salute umana a seguito di smaltimento incontrollato dei rifiuti, riciclare il prodotto in modo responsabile al fine di promuovere il riutilizzo sostenibile delle risorse materiali. Per restituire un dispositivo usato, utilizzare gli appositi impianti di restituzione e raccolta oppure contattare il rivenditore originale del prodotto, che provvederà a riciclare il prodotto nel rispetto dell'ambiente.



## Garanzia di un anno GEAR4

Disruptive Hong Kong Limited, che opera sotto la denominazione commerciale di GEAR4, garantisce che il prodotto viene venduto privo di difetti di lavorazione e materiali. Se il prodotto viene utilizzato in accordo alle istruzioni d'uso fornite, esso continuerà a essere esente da difetti per un periodo di un (1) anno dalla data di acquisto originale.

Eventuali danni o difetti conseguenti a una mancata osservanza delle istruzioni relative al prodotto o provocati da incidenti, abuso, uso improprio, applicazione scorretta, modifica del prodotto, apparecchiature accessorie guaste, tensione o corrente sbagliata, fulmini o altri eventi naturali, uso commerciale non domestico, normale usura, danni in fase di spedizione, danni ai lettori multimediali digitali o danni causati da chiunque a eccezione di Disruptive Hong Kong Limited sono espressamente esclusi dalla garanzia sopra specificata.

Disruptive Hong Kong Limited provvederà, a propria discrezione, alla riparazione o sostituzione di prodotti ritenuti difettosi nella lavorazione e/o nei materiali e coperti dalla presente garanzia. Se il prodotto non dovesse più essere in produzione o disponibile a magazzino nel momento in cui o dopo che Disruptive Hong Kong Limited riceve la richiesta di garanzia, Disruptive Hong Kong Limited può, a propria discrezione, sostituire il prodotto con un prodotto simile.

Disruptive Hong Kong Limited è esclusivamente responsabile della riparazione o sostituzione di prodotti difettosi coperti da garanzia, ed eventuali danni incidentali o consequenziali sono espressamente esclusi nella misura massima consentita dalla legge. La presente garanzia non è trasferibile e non può essere estesa a utenti diversi dalla persona che ha originariamente acquistato il prodotto.

Nulla di quanto contenuto nel presente manuale potrà limitare o escludere la responsabilità di Disruptive Hong Kong Limited in caso di decesso o lesioni personali derivanti da negligenze di Disruptive Hong Kong Limited, frode o false dichiarazioni o violazione dei termini indicati alla Sezione 12 del Sale of Goods Act 1979.

La presente garanzia conferisce all'utente diritti legali specifici oltre a quelli previsti della legge del paese di pertinenza. La presente garanzia non ha come scopo la limitazione di tali diritti legali.

### Legislazione australiana a tutela del consumatore

In Australia, sono applicabili le Trade Practices (legge australiana a tutela del consumatore) Amendment Regulations 2010 (N. 1). I nostri prodotti presentano garanzie che non possono essere escluse dalla legge australiana a tutela del consumatore. L'utente avrà diritto alla sostituzione del prodotto o a un rimborso in caso di guasto grave e come compensazione per eventuali altri danni o perdite ragionevolmente prevedibili. L'utente avrà inoltre diritto a richiedere la riparazione o sostituzione del prodotto se la qualità di quest'ultimo non è ritenuta accettabile, anche se il guasto non è considerato un guasto grave.

## Politica di restituzione/ Assistenza in garanzia

Le richieste di garanzia saranno ritenute valide esclusivamente se a Disruptive Hong Kong Limited viene fornita una prova d'acquisto che dimostri che il prodotto è stato acquistato da un rivenditore autorizzato da Disruptive Hong Kong Limited ed entro un (1) anno dalla richiesta.

Per inviare una richiesta di garanzia, è necessario contattare Disruptive Hong Kong Limited via e-mail all'indirizzo [support@gear4.com](mailto:support@gear4.com) oppure scrivere a: Disruptive Hong Kong Ltd, Rm 2002, 20/F King Palace Plaza, 52A Sha Tsui Road, Tsuen Wan, Hong Kong, indicando il proprio nome e cognome, indirizzo postale completo, numero telefonico di contatto, nome del prodotto e numero di serie, data e luogo dell'acquisto e una descrizione dettagliata del problema riscontrato.

Se il difetto è coperto da garanzia, l'utente riceverà un numero di autorizzazione insieme alle istruzioni per la spedizione del reso. Se possibile, è necessario inviare a Disruptive Hong Kong Limited il prodotto danneggiato o difettoso. Il prodotto restituito **DEVE** essere accompagnato dalla prova di acquisto originale. Consigliamo vivamente di conservare una copia di tale prova di acquisto nei propri archivi.

Per evitare spese aggiuntive, tutti i resi dovranno includere i materiali di imballaggio originali, la scatola del prodotto e tutti gli accessori, compresi, a titolo esemplificativo ma non esaustivo, eventuali adattatori e cavi di alimentazione, cavi di connessione, telecomandi, adattatori, inserti, schede e manuali di istruzioni. In caso di assenza di uno degli articoli sopra indicati, potrebbero essere addebitate le relative spese di sostituzione. Disruptive Hong Kong Limited non sarà ritenuta responsabile per eventuali perdite consequenziali dirette o indirette.

Disruptive Hong Kong Limited non sarà responsabile per eventuali smarrimenti o danneggiamenti dei prodotti durante la spedizione. Tutti i prodotti resi senza la prova di acquisto saranno restituiti senza essere esaminati o testati e le spese di restituzione saranno a carico del cliente.





Leia antes de usar.

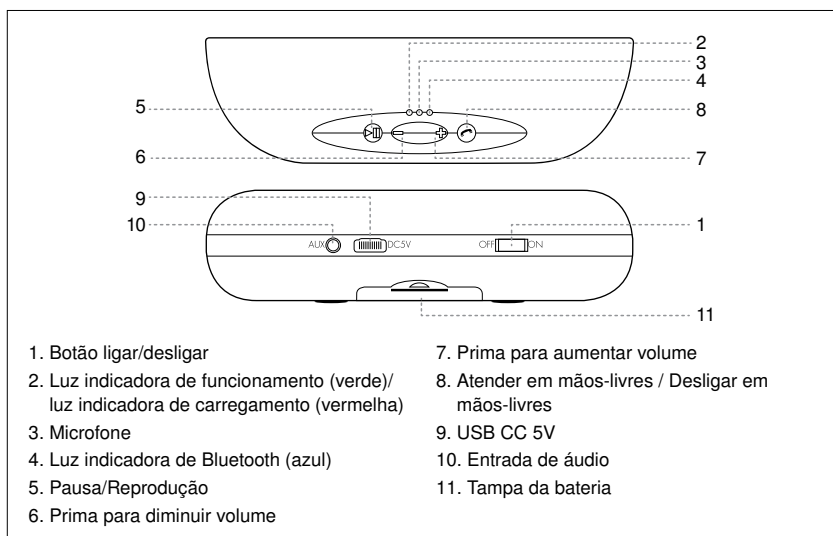
**STREET PARTY WIRELESS 2**



- Transmita música a partir de qualquer equipamento Bluetooth\*
- Bateria de íões de lítio amovível e recarregável
- Alta-voz
- Até 5 horas de duração da bateria\*\*
- Porta de entrada de áudio para utilizar com outros leitores de música
- Carregamento micro-USB
- Acabamento suave ao toque
- Som estéreo
- Radiador passivo para graves melhorados

\*Alcance Bluetooth 3.0 (A2DP) até 10m, dependente da linha de visão.  
 \*\*Duração da bateria no volume máximo

Registe o StreetParty Wireless 2, para activar a Garantia e receber actualizações de produto, em [www.gear4.com/register](http://www.gear4.com/register)



## Instruções de utilização

### Instalar a bateria.

- Abra o compartimento da bateria e coloque uma bateria recarregável na base do altifalante, seguindo as marcas de polaridade (+/-). As linhas orientadoras para isto encontram-se marcadas na base do compartimento da bateria.

### Ligar

- Deslize o interruptor ligar/desligar para a posição "ON", o LED azul irá começar a piscar. O SPW2 irá automaticamente entrar no modo Bluetooth quando ligado. Se um cabo Aux (3,5 mm) estiver ligado ao SPW2, o LED azul não se irá acender. Tenha atenção: Quando o SPW2 estiver no modo Aux-In, o modo Bluetooth irá desligar-se.

### Desligar

- Deslize o interruptor ligar/desligar para a posição "OFF"; todas as luzes LED de estado irão apagar-se.

### Modo Bluetooth

#### EMPARELHAR

- A unidade irá entrar automaticamente em "Modo de Emparelhamento" quando for ligada. Vá ao seu menu de definições de equipamentos e procure "GEAR4 SPW2". Após a unidade estar emparelhada, irá ligar-se automaticamente assim que o SPW2 estiver ligado e o equipamento estiver ao alcance.

#### REPRODUZIR MÚSICA

- Prima para iniciar a reprodução de música.
- Prima "-" ou "+" para controlo de volume.

#### FAZER OU RECEBER CHAMADAS

- Quando o SPW2 estiver ligado e emparelhado ao seu equipamento, o SPW2 permitir-lhe-á fazer ou receber chamadas através do microfone integrado.
- Prima para atender uma chamada.
- Para desligar uma chamada prima .
- Para rejeitar uma chamada, mantenha premido .

#### Modo de entrada de áudio

- Ligue o cabo 3,5 mm fornecido ao SPW2. A outra extremidade encontra-se ligada ao seu equipamento.

#### Carregamento

- Ligue um cabo USB ao SPW2 e ligue a qualquer carregador USB. Se a unidade estiver completamente descarregada, irá demorar cerca de 2,5 horas a carregar por completo. O LED vermelho irá acender-se durante o carregamento, quando estiver totalmente carregada irá ficar Verde.

#### Estado do LED

- Modo de emparelhamento Bluetooth: LED Verde e LED Azul a piscar
- Modo de Bluetooth ligado: LED Verde e LED Azul sólido
- Modo Aux: Apenas LED Verde
- Carregamento: LED Vermelho

Copyright © 2014 Disruptive Hong Kong Limited. Todos os direitos reservados. A reprodução parcial ou total é proibida. GEAR4 e StreetParty Wireless 2 são marcas comerciais da Disruptive Hong Kong Limited. iPad, iPhone, iPod, iPod nano, iPod classic e iPod touch são marcas comerciais da Apple Inc., registadas nos EUA e noutros países. App Store é uma marca de serviço da Apple Inc.

A palavra e logótipos da marca Bluetooth® são marcas comerciais registadas da Bluetooth SIG, Inc.

## AVISO

Para reduzir o risco de incêndio ou choque eléctrico não exponha este equipamento à chuva nem à humidade.

O aparelho não deve ser exposto a qualquer salpico ou gotejar, nem devem ser colocados sobre ele quaisquer objectos com líquidos, tais como jarras.

Perigo de explosão se a bateria for substituída incorretamente. A substituição deve ser feita apenas pelo fabricante e com o mesmo tipo ou equivalente.

## CUIDADO

A utilização de controlos ou ajustes diferentes dos especificados poder resultar em exposição a radiação perigosa.

As pilhas ou a bateria não devem ser expostas a calor excessivo, tal como sol intenso, fogo ou algo similar.

## DESEMBALAGEM E INSTALAÇÃO

Desembale o seu equipamento com cuidado. Recomendamos que guarde a caixa de embalagem, para o caso de precisar de arrumar o equipamento. Para evitar danos nunca coloque o equipamento nem as pilhas perto de radiadores, em frente de saídas de ar quente, sob luz solar directa, ou perto da água.

## PARA SUA SEGURANÇA

- Nunca manuseie a unidade com as mãos molhadas, pois isto poderia causar choque eléctrico ou incêndio.
- Deixe qualquer reparação apenas a cargo de um profissional qualificado.



AVISO

O sinal com um raio e uma seta na ponta, dentro de um triângulo equilátero, destina-se a alertar o utilizador para a presença de material de 'Tensão Perigosa' não isolado no interior do produto, o qual pode ser de magnitude suficiente para constituir risco de choque eléctrico para a pessoa.



AVISO

O ponto de exclamação dentro de um triângulo equilátero destina-se a alertar o utilizador para a presença de instruções de utilização e manutenção importantes na literatura que acompanha o equipamento.

	<b>CUIDADO</b>	
RISCO DE CHOQUE ELÉCTRICO, NÃO ABRIR		
CUIDADO: PARA REDUZIR O RISCO DE CHOQUE ELÉCTRICO NÃO REMOVA A TAMP. NÃO EXISTEM NO INTERIOR PARTES REPARÁVEIS PELO UTILIZADOR. ENTREGUE A MANUTENÇÃO E REPARAÇÃO A PESSOAL QUALIFICADO PARA O EFEITO.		

- Não abra a caixa do equipamento.
- Desligue o equipamento durante trovoadas e quando não for usá-lo durante muito tempo.

## ELIMINAÇÃO

De acordo com a Directiva Europeia 2002 / 96 / EC todos os produtos eléctricos e electrónicos têm de ser recolhidos separadamente através de um sistema local de recolha. Queira agir de acordo com as suas normas locais e não eliminar os seus equipamentos antigos juntamente com os resíduos domésticos normais.

Não deite fora as pilhas juntamente com o lixo doméstico normal. Siga os regulamentos locais para eliminação segura deste tipo de materiais.



A marca de caixote do lixo com rodas indica que este produto não deve ser eliminado com outro lixo doméstico em toda a União Europeia. Para evitar possíveis danos no ambiente ou saúde humana devido a eliminação de lixo não controlada, recicle-o de forma responsável a fim de promover a utilização sustentável de recursos materiais. Para devolver o seu dispositivo utilizado, utilize os sistemas de devolução e recolha ou contacte o revendedor onde o produto foi comprado. Eles podem levar este produto para reciclagem ambientalmente segura.

## Garantia de Um ano GEAR4

A Disruptive Hong Kong Limited, a comercializar como GEAR4, garante que este produto está livre de defeitos de mão-de-obra e de materiais no momento da venda. Sujeito a que este produto seja utilizado em conformidade com as suas instruções de utilização, o produto deverá continuar a estar isento de defeitos, durante um período de um (1) ano a partir da data da compra original.

Qualquer dano ou defeito causados pelo não seguimento das instruções que se relacionem com este produto, ou como resultado de um acidente, abuso, má utilização, má aplicação, modificação do produto, equipamento antigo com defeitos, voltagem ou corrente inadequadas, relâmpagos ou desastres naturais, utilização comercial não doméstica, desgaste e utilização normais, danos de envio ou perda, danos nos leitores digitais ou danos causados por ações de outros que não a Disruptive Hong Kong Limited, são expressamente excluídos da garantia acima declarada.

A Disruptive Hong Kong Limited irá, a seu exclusivo critério, reparar ou substituir qualquer produto que se prove que tenha defeito quer individualmente, quer em conjunto, de mão-de-obra ou materiais e conforme abrangido por esta garantia. Se o produto deixar de ser fabricado ou estiver esgotado no momento ou após a Disruptive Hong Kong Limited ter conhecimento do pedido de garantia, a Disruptive Hong Kong Limited poderá, a seu exclusivo critério, substituir o seu produto por um produto semelhante.

A responsabilidade da Disruptive Hong Kong Limited encontra-se limitada à reparação ou substituição de qualquer produto com defeito ao abrigo da garantia e qualquer dano acidental ou consequencial é expressamente excluído em toda a extensão permitida por lei. Esta garantia não é transmissível e não é extensível a outros utilizadores além da pessoa que comprou originalmente o produto.

Nada neste manual deve limitar ou excluir a responsabilidade da Disruptive Hong Kong Limited pela morte ou danos pessoais resultantes da negligência da Disruptive Hong Kong Limited, por fraude ou declaração fraudulenta ou quebra dos termos implícitos na Secção 12 da Lei da Venda de Bens de 1979.

Esta garantia dá-lhe direitos legais específicos, além dos que lhe são atribuídos pelas leis do seu país. Esta garantia não se destina a funcionar como limitação desses direitos legais.

### Lei do Consumidor Australiana

Na Austrália, aplicam-se os Regulamentos da Emenda das Práticas de Comércio (Lei do Consumidor Australiana) de 2010 (Nº1). Os nossos bens dispõem de garantias que não podem ser excluídas ao abrigo da Lei de Consumidor Australiana. O proprietário tem o direito a uma substituição ou reembolso por uma avaria grave e compensação por qualquer outra perda ou dano razoavelmente previsíveis. O proprietário também tem direito à reparação ou substituição dos bens, caso estes apresentem não ter qualidade aceitável e tal não seja uma falha grave.

## Política de Devolução / Serviço de Garantia

As reclamações de garantia apenas serão válidas quando for fornecida prova de compra à Disruptive Hong Kong Limited, como prova de que o produto foi comprado a um revendedor autorizado da Disruptive Hong Kong Limited e desde que a reclamação seja apresentada dentro do limite de um (1) ano após a compra.

Para apresentar uma reclamação de garantia, primeiro tem de contactar a Disruptive Hong Kong Limited por email para [support@gear4.com](mailto:support@gear4.com) ou escrever para: Disruptive Hong Kong Ltd, Rm 2002, 20/F King Palace Plaza, 52A Sha Tsui Road, Tsuen Wan, Hong Kong indicando o seu nome, morada completa, número de telefone de contacto, o nome e número de série do produto, data e local de compra e uma descrição detalhada do problema que está a relatar.

Se o defeito for abrangido pela garantia, ser-lhe-á fornecido um número de autorização e instruções para o envio de devolução. Sempre que possível, deverá enviar à Disruptive Hong Kong Limited o produto danificado ou com defeito. O produto devolvido **DEVE** ser acompanhado pela prova de compra original. Recomendamos vivamente que mantenha uma cópia desta prova de compra nos seus registos.

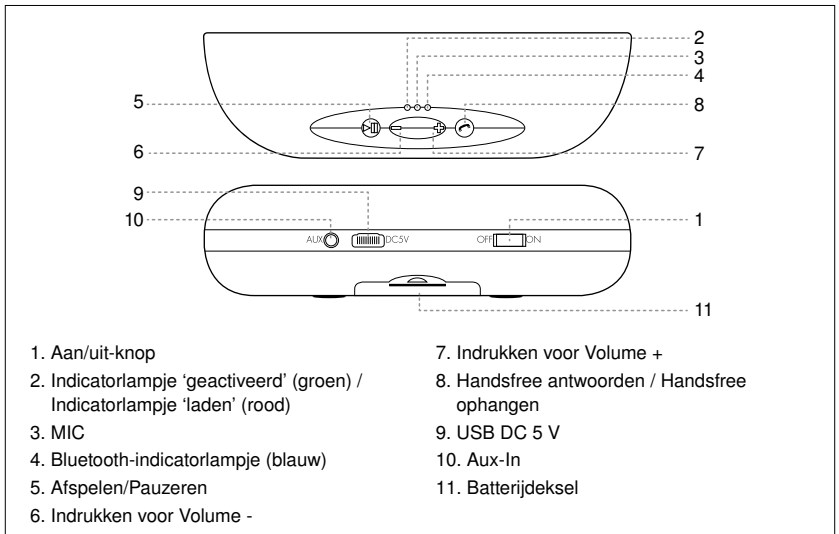
Para evitar quaisquer cobranças adicionais, todas as devoluções e trocas devem incluir os materiais de embalagem originais, caixa do produto, todos os acessórios incluídos que podem incluir, entre outros, transformadores ou cabos de alimentação, cabos de ligação, telecomandos, adaptadores, suplementos, cartões e manuais de instruções. A ausência de qualquer um dos elementos mencionados poderá resultar na cobrança da sua substituição. A Disruptive Hong Kong Limited não poderá ser responsabilizada por quaisquer perdas consequenciais diretas ou indiretas.

A Disruptive Hong Kong Limited não poderá ser responsabilizada pela perda ou danos de produtos durante o envio. Qualquer produto devolvido sem a prova de compra original será devolvido sem ser verificado ou testado e tal devolução deverá ser às custas do cliente.



- Stream muziek vanaf elk Bluetooth-apparaat\*
  - Verwijderbare en oplaadbare lithium-ion batterij
  - Speakerphone
  - Batterijen werken maximaal 5 uur\*\*
  - Aux-In-poort voor gebruik met andere muzikspelers
  - Laden via Micro-USB
  - Zachte afwerking
  - Stereogeluid
  - Passieve zender voor betere bas
- \*Bluetooth 3.0 (A2DP) bereik maximaal 10 meter, afhankelijk van de zichtlijn.  
\*\*Gebruiksduur van batterij bij maximumvolume

Registreer StreetParty Wireless 2 om de garantie te activeren en productupdates te ontvangen, op [www.gear4.com/register](http://www.gear4.com/register)



## Gebruiksaanwijzing

### De batterij installeren.

- Maak de batterijhouder open en plaats een oplaadbare batterij op juiste wijze tegen de polen (+/-) in de onderkant van de luidspreker. De polen zijn gemarkeerd in de onderkant van de batterijhouder.

### Inschakelen

- Schuif de aan/uit-knop naar 'ON'. De blauwe LED begint te knipperen. De SPW2 schakelt automatisch over naar de Bluetooth-modus wanneer je hem aanzet. Als er een Aux-kabel (3,5 mm) op de SPW2 is aangesloten, gaat de blauwe LED niet branden. Opmerking: als de SPW2 in de modus Aux-In staat, is de Bluetooth-modus gedeactiveerd.

### Uitschakelen

- Schuif de aan/uit-knop naar 'OFF'. Alle statuslampjes gaan uit.

### Bluetooth-modus

#### VERBINDING MAKEN

- Het apparaat schakelt automatisch over naar de koppelmodus wanneer je het aanzet. Ga naar het menu met apparaatinstellingen en zoek 'GEAR4 SPW2'. Als het apparaat eenmaal is gekoppeld, zal het automatisch verbinding met de SPW2 maken wanneer je hem aanzet (mits het apparaat binnen bereik is).

#### MUZIEK AFSPLENEN

- Druk op om het afspelen te starten.
- Druk op - of + om het volume af te stellen.

#### TELEFONEREN

- Wanneer de SPW2 is aangesloten en er een koppeling met je apparaat tot stand is gebracht, kun je de ingebouwde microfoon van de SPW2 gebruiken om te telefoneren.
- Druk op om een inkomend telefoontje te accepteren.
- Druk op om om op te hangen.
- Als je het gesprek wilt weigeren, houd je ingedrukt.

#### De modus Aux-In

- Sluit het ene uiteinde van de meegeleverde 3,5 mm kabel op de SPW2 aan. Sluit het andere uiteinde op je apparaat aan.

#### Opladen

- Sluit de USB-kabel op de SPW2 aan en steek de stekker in een USB-laadapparaat. Als de batterij helemaal leeg is, duurt het ongeveer 2,5 uur om hem volledig op te laden. Tijdens het laden brandt de rode LED. Wanneer het laden is voltooid, wordt de LED groen.

#### LED-status

- Bluetooth-koppelmodus: groene LED en knipperende blauwe LED
- Bluetooth verbonden: groene LED en constant blauw brandende LED
- Aux-modus: alleen groene LED
- Opladen: rode LED

## WAARSCHUWING

Blootstelling van dit apparaat aan regen of vocht kan brand of een elektrische schok veroorzaken.

Het apparaat mag niet worden blootgesteld aan druppels of spetters en er mogen geen objecten gevuld met vloeistof, zoals vazen, op het apparaat worden geplaatst.

Explosiegevaar als de batterij op onjuiste wijze wordt vervangen. Vervanging mag alleen worden gedaan door fabrikant en met hetzelfde of een gelijkwaardig type.

## VOORZICHTIG

Gebruik van besturingsknoppen of aanpassing van prestaties of procedures anders dan hier beschreven, kan resulteren in gevaarlijke stralingsblootstelling.

Stel de batterijen (batterijpakket of geïnstalleerde batterijen) niet bloot aan overmatige hitte, zoals direct zonlicht, vuur en dergelijke.

## UITPAKKEN EN INSTALLEREN

Pak het apparaat voorzichtig uit. Het is raadzaam de verpakking te bewaren, voor het geval het apparaat langere tijd moet worden opgeborgen. Plaats het apparaat of de batterijen nooit vlakbij een radiator, vóór een heteluchtverwarming, in direct zonlicht of vlakbij water om schade te voorkomen.

## VOOR JE EIGEN VEILIGHEID

- Raak het apparaat nooit aan met natte handen, omdat dit brand of een elektrische schok kan veroorzaken.



WAARSCHUWING

O sinal com um raio e uma seta na ponta, dentro de um triângulo equilátero, destina-se a alertar o utilizador para a presença de material de 'Tensão Perigosa' não isolado no interior do produto, o qual pode ser de magnitude suficiente para constituir risco de choque eléctrico para a pessoa.



WAARSCHUWING

Het uitroepteken binnen een gelijkzijdige driehoek is bedoeld de gebruiker te wijzen op de aanwezigheid van een belangrijke bedienings- en onderhouds- (service-) instructie in de documentatie bij het apparaat.



- Laat reparatie over aan deskundig personeel.
- Open de behuizing niet.
- Haal tijdens onweer en wanneer het apparaat langdurig niet wordt gebruikt, de stekker uit het stopcontact.

## AFVALVERWERKING

Volgens Europese Richtlijn 2002 / 96 / EC moeten alle elektrische en elektronische apparaten apart worden ingezameld bij de gemeente. Volg de verordeningen van de lokale gemeente en gooi oude producten niet bij het normale huishoudelijk afval.

Gooi lege batterijen niet bij het huisvuil. Volg de gemeentelijke regels voor chemisch afval.



Het klikosymbool geeft aan dat dit product in de hele EU niet met huishoudelijk afval mag worden weggegooid. Recycle dit product op verantwoorde wijze, om duurzaam hergebruik van grondstoffen te bevorderen en mogelijke schade aan het milieu of de gezondheid door ongecontroleerd afvoeren te voorkomen. Retourneer het gebruikte toestel via de retour- en ophaalsystemen of neem contact op met de winkel waar het product is gekocht. De winkel kan dit product inzamelen voor milieuvriendelijk hergebruik.

## GEAR4 Garantie van één jaar

Disruptive Hong Kong Limited, handeldrijvend als GEAR4, garandeert dat dit product op het verkooppunt vrij is van fabricage- en materiaalfouten. Wanneer dit product volgens de gebruiksaanwijzing wordt gebruikt, zal het gedurende een periode van één (1) jaar na de oorspronkelijke aankoopdatum vrij blijven van defecten.

Alle schade of defecten die voortkomen uit het niet opvolgen van de gebruiksaanwijzing voor dit product of die optreden als gevolg van een ongeluk, verkeerd gebruik, misbruik, verkeerde toepassing, productaanpassing, defecte randapparatuur, onjuist voltage of stroom, bliksem of andere natuurverschijnselen, commercieel gebruik, normale slijtage, verzendschade of -verlies, schade aan digitale mediaspelers of schade veroorzaakt door handelingen van andere partijen dan Disruptive Hong Kong Limited, zijn uitdrukkelijk uitgesloten van bovenstaande garantie.

Disruptive Hong Kong Limited zal een product dat fabricage- en/of materiaaldefecten vertoont geheel naar eigen goeddunken en zoals onder deze garantie bepaald, repareren of vervangen. Als het product niet meer gemaakt wordt of niet op voorraad is op het moment dat of nadat Disruptive Hong Kong Limited van de garantieclaim op de hoogte wordt gebracht, kan Disruptive Hong Kong Limited uw product geheel naar eigen goeddunken door een soortgelijk product vervangen.

De aansprakelijkheid van Disruptive Hong Kong Limited is beperkt tot de reparatie of vervanging van een defect product met garantie en geldt voor zover wettelijk toegestaan uitdrukkelijk niet voor eventuele incidentele of gevolgschade. Deze garantie is niet overdraagbaar en geldt niet voor andere personen dan degene die het product oorspronkelijk heeft aangeschaft.

Niets in deze handleiding beperkt de aansprakelijkheid van Disruptive Hong Kong Limited voor dodelijk of persoonlijk letsel voortvloeiend uit nalatigheid van Disruptive Hong Kong Limited, voor fraude of frauduleuze onjuiste voorstelling van zaken of inbreuk op de voorwaarden van artikel 12 van de Sale of Goods Act 1979 en niets in deze handleiding zal deze aansprakelijkheid uitsluiten.

Deze garantie geeft u specifieke wettelijke rechten in aanvulling op de rechten die u door de wetgeving in uw land worden toegekend. Deze garantie is niet bedoeld om dergelijke wettelijke rechten te beperken.

### Australische consumentenwet

In Australië zijn de Trade Practices (Australian Consumer Law) Amendment Regulations 2010 (No. 1) van toepassing. Onze goederen komen met garanties die volgens de Australische consumentenwet niet kunnen worden uitgesloten. Bij ernstige defecten hebt u recht op een vervanging of restitutie en op vergoeding voor redelijkerwijze te voorziene verliezen of schade. U hebt tevens het recht op reparatie of vervanging van goederen die niet van aanvaardbare kwaliteit zijn, mits dit niet het gevolg is van een ernstig defect.

## Retourbeleid / Garantedienst

Garantieclaims zijn uitsluitend geldig wanneer een bewijs van aankoop wordt overlegd aan Disruptive Hong Kong Limited dat aantoonde dat het product bij een door Disruptive Hong Kong Limited geautoriseerde wederverkoper is gekocht en dat de claim binnen één (1) jaar na aankoop wordt ingediend.

Om een claim uit hoofde van garantie in te dienen, moet u eerst contact opnemen met Disruptive Hong Kong Limited door een e-mail te sturen naar [support@gear4.com](mailto:support@gear4.com) onder vermelding van uw naam, volledige postadres, telefoonnummer waarop u te bereiken bent, de naam en het serienummer van het product, datum en plaats van aankoop en een gedetailleerde omschrijving van het probleem dat u ervaart.

Als het defect door deze garantie wordt gedekt, dan ontvangt u een autorisatienummer en instructies om het product te retourneren. Indien mogelijk moet u het beschadigde of defecte product aan Disruptive Hong Kong Limited retourneren. Het product **MOET** samen met het oorspronkelijke bewijs van aankoop worden geretourneerd. Wij raden u met klem aan een kopie van dit bewijs van aankoop te bewaren.

Om extra kosten te voorkomen, moeten alle retourzendingen en uitwisselingen in het oorspronkelijke verpakkingsmateriaal worden verzonden, compleet met de productdoos en alle meegeleverde accessoires, inclusief maar niet beperkt tot voedingsadapters of stroomsnoeren, verbindingskabels, afstandsbedieningen, adapters, insteekstukken, kaarten en instructiehandleidingen. Indien een of meerdere van de bovengenoemde voorwerpen ontbreken, kunnen voor deze voorwerpen vervangingskosten in rekening worden gebracht. Disruptive Hong Kong Limited kan niet aansprakelijk worden gesteld voor indirecte of directe gevolgschade.

Disruptive Hong Kong Limited kan niet aansprakelijk worden gesteld voor producten die tijdens vervoer verloren gaan of beschadigd worden. Producten die zonder het oorspronkelijke bewijs van aankoop worden geretourneerd, worden teruggestuurd zonder deze te onderzoeken of testen en een dergelijke retourzending is voor kosten van de klant.



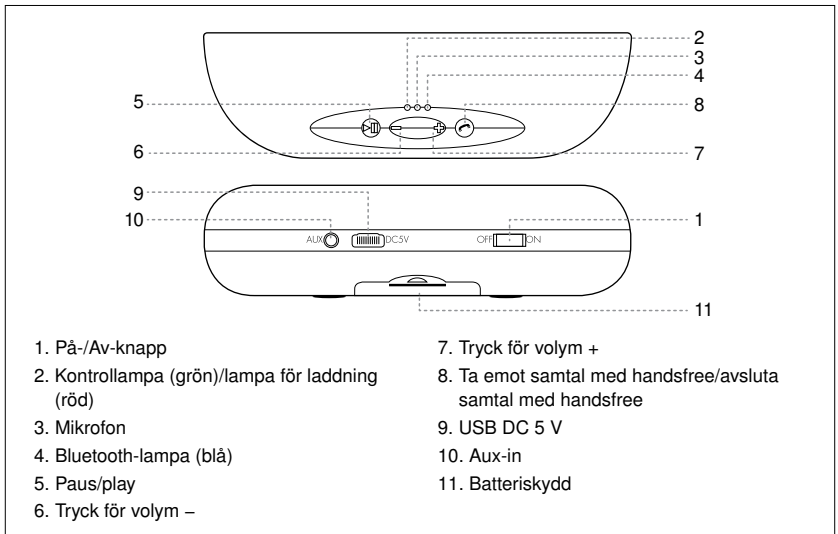
Läs före användning.

**STREET PARTY WIRELESS 2**



- Streama musik från alla Bluetooth-enheter\*
  - Borttagbart och laddningsbart litiumjonbatteri
  - Högtalartelefon
  - Upp till 5 timmars batteritid\*\*
  - Aux-in-port för användning tillsammans med andra musikspelare
  - Mikro-USB-laddning
  - Mjuk finish
  - Stereoljud
  - Passivt radiatorsystem för förbättrad bas
- \*Bluetooth 3.0 (A2DP) räckvidd upp till 10 m, beroende på om det finns hinder i vägen.  
\*\*Batteritid vid maxvolym

Registrera din version av StreetParty Wireless 2 på [www.gear4.com/register](http://www.gear4.com/register) för att aktivera garantin och få produktuppdateringar.



## Användningsinstruktioner

### Montera batteriet.

- Öppna batteriluckan och sätt i ett laddningsbart batteri i högtalarens fot enligt polaritetsmarkeringarna ( +/ - ) i botten på batteriluckan.

### Slå på

- Sätt På-/Av-knappen i "PÅ"-läget. Den blåa lysdioden börjar blinka. SPW2 är automatiskt i Bluetooth-läge när den slås på. Om en Aux-kabel (3,5 mm) är ansluten till SPW2 kommer den blåa lysdioden inte att tändas. Obs! När SPW2 är i Aux-in-läge kopplas Bluetooth-läget av.

### Slå av

- Sätt På-/Av-knappen i "AV"-läget. Alla statuslampor släcks.

### Bluetooth-läge

#### IHOPPARNING

- Enheten är automatiskt i "ihoppningsläge" när den slås på. Gå till menyn för enhetens inställningar och leta efter "GEAR4 SPW2". Efter att enheten har parats ihop ansluter den automatiskt när SPW2 slås på och enheten är inom räckhåll.

#### SPELA MUSIK

- Tryck på för att börja spela musik.
- Tryck antingen på "-" eller "+" för att ändra volymen.

#### RINGA OCH TA EMOT TELEFONSAMTAL

- När SPW2 är ansluten och ihopparad med din enhet gör SPW2 att du kan ringa eller ta emot telefonsamtal med den inbyggda mikrofonen.
- Tryck på för att ta emot ett samtal.
- Tryck på för att lägga på.
- Tryck och håll inne för att avvisa ett samtal.

#### Aux-in-läge

- Anslut den medföljande 3,5 mm-kabeln till SPW2. Den andra änden är ansluten till din enhet.

#### Laddning

- Anslut USB-kabeln till SPW2 och koppla den till vilken USB-laddare som helst. Om enheten är helt urladdad tar det ungefär 2,5 timmar innan den är fulladdad igen. Den röda lysdioden lyser under laddning och blir grön när laddningen har slutförts.

#### Lysdiodsstatus

- Läge för Bluetooth-ihoppning: Grön lysdiod och blinkande blå lysdiod
- Läge för Bluetooth-anslutning: Grön lysdiod och blå lysdiod som lyser med fast sken
- Aux-läge: Endast grön lysdiod
- Laddning: Röd lysdiod

Copyright © 2014 Disruptive Hong Kong Limited. Med ensamrätt. Fullständig eller delvis reproduktion är förbjuden. GEAR4 och StreetParty Wireless 2 är varumärken som tillhör Disruptive Hong Kong Limited. iPad, iPhone, iPod och iPod touch är registrerade varumärken som tillhör Apple Inc. Registrerade i USA och andra länder. App Store är ett varumärke från Apple Inc.

Ordet och logotypen Bluetooth® är registrerade varumärken som tillhör Bluetooth SIG, Inc.

## VARNING

För att minska risken för eldsvåda eller elektrisk chock, utsätt inte den här enheten för regn eller fukt.

Apparaten ska inte utsättas för droppar eller stänk. Ställ inte vätskefyllda föremål, som vaser eller dyligt, på apparaten.

Explosionsrisk föreligger om du byter till fel typ av batteri. Endast tillverkaren får byta ut batteriet mot ett batteri av samma eller motsvarande typ.

## OBS!

Användning av kontroller eller justeringar rörandes prestandan av procedurer som inte finns angivna kan orsaka farlig strålning.

Batterier (batteripack eller installerade batterier) får inte utsättas för stark värme som t.ex. solskin eller öppen eld.

## UPPACKNING OCH INSTALLATION

Packa upp enheten försiktigt. Vi rekommenderar att du sparar förpackningen om du skulle behöva förvara enheten en längre tid. För att undvika skador på enheten ska den eller dess batterier aldrig placeras nära element, framför värmeventiler, under direkt solljus eller nära vatten.

## FÖR DIN SÄKERHET

- Hantera aldrig enheten med våta händerna, eftersom detta kan orsaka brand eller elektrisk stöt.
- Kontakta kvalificerad servicepersonal för service.



Den blixtformade lampan, som återfinns i en liksidig triangel, är ämnad att varna användaren för 'Farlig Spänning' som inte är isolerad inuti produkten och som är stark nog att kunna ge en människa en elektrisk stöt.



Utropstecknet inom en liksidig triangel är ämnad att varna användaren för behovet av underhåll och service som nämns i användarhandboken.

	<b>OBS!</b>	
RISK FÖR ELEKTRISKA STÖTAR - ÖPPNA EJ!		
OBS! FÖR ATT MINSKA RISKEN FÖR ELEKTRISKA STÖTAR SKA LOCKET (ELLER BAKSIDAN) INTE TAS BORT. DET FINNS INGA DELAR SOM ANVÄNDAREN KAN UNDERHÅLLA I ENHETEN. KONTAKTA KVALIFICERAD SERVICEPERSONAL FÖR UNDERHÅLL.		

- Öppna aldrig höljet.
- Dra ut strömmen till enheten vid åskväder och när den inte används under en längre tid.

## AVFALLSHANTERING

Enligt EU-direktiv 2002 / 96 / EC måste alla elektriska och elektroniska produkter samlas in separat genom ett lokalt insamlingsssystem. Följ de regler som gäller där du befinner dig och kasta inte gamla produkter i det vanliga hushållsavfallet.

Kasta inte batterierna med hushållsavfallet. Följ lokala bestämmelser för säker avfallshantering.



Märket med soptunnan på hjul anger att den här produkten inte ska slängas i hushållssoporna inom EU. Undvik möjliga skador på miljö eller människors hälsa till följd av okontrollerad avfallskassering genom att på ett ansvarsfullt sätt återvinna den till förmån för en hållbar återanvändning av materiella resurser. Återlämna den begagnade enheten via retur- och uppsamlingsystemen eller kontakta den återförsäljare som du köpte produkten av. De kan ta emot produkten och återvinna den på ett miljövänligt sätt.



## GEAR4:s ettåriga garanti

Disruptive Hong Kong Limited, med handelsnamnet GEAR4, garanterar att denna produkt är fri från fel i utförande och material vid försäljningstillfället. Under förutsättning att produkten används i enlighet med bruksanvisningen kommer den att förbli fri från fel under en period om ett (1) år från datumet för det ursprungliga inköpet.

Följande undantas uttryckligen från den garanti som anges ovan: skador eller fel som har orsakats av att anvisningarna för produkten inte har följts eller som har uppkommit till följd av olycka, missbruk, felanvändning, oriktig tillämpning, produktmodifiering, defekt tillbehörsutrustning, felaktig spänning eller ström, blixtnedslag eller annan typ av force majeure, kommersiellt bruk utanför hemmet, normalt slitage, förlust eller skada som har uppkommit under transport, skada på digitala mediaspelare eller skada orsakad av handlingar som har utförts av någon annan än Disruptive Hong Kong Limited.

Disruptive Hong Kong Limited kommer efter eget gottfinnande att reparera eller ersätta en produkt som bevisas vara defekt i antingen utförande eller material eller bådadera och som omfattas av den här garantin. Om produkten inte längre saluförs eller inte finns i lager när Disruptive Hong Kong Limited mottar ett garantianspråk kan Disruptive Hong Kong Limited efter eget gottfinnande välja att ersätta produkten med en liknande produkt.

Disruptive Hong Kong Limiteds ansvar begränsas till reparation eller ersättning av en defekt produkt i enlighet med garantin och eventuella följdskador är uttryckligen undantagna så långt det är tillåtet enligt lag. Den här garantin kan inte överlåtas och omfattar inte någon annan användare än den person som ursprungligen köpte produkten.

Inget i denna bruksanvisning ska begränsa eller fria Disruptive Hong Kong Limited från ansvar för dödsfall eller personsador som uppkommer på grund av Disruptive Hong Kong Limiteds försummelse, eller för bedrägeri, oriktig framställning eller brott mot villkoren i Section 12 i Sale of Goods Act 1979.

Denna garanti ger dig särskilda juridiska rättigheter utöver dina rättigheter enligt lagarna i ditt land. Denna garanti är inte avsedd att begränsa sådana rättigheter.

### Australiens konsumentlagstiftning

I Australien gäller Australiens konsumentlagstiftning Trade Practices (Australian Consumer Law) Amendment Regulations 2010 (No. 1). Våra varor levereras med garantier som inte kan uteslutas enligt den australiensiska konsumentlagstiftningen. Du har rätt till en ersättande produkt eller återbetalning för större fel och till ersättning för annan rimligen förutsebar förlust eller skada. Du har även rätt att få varorna reparerade eller ersatta om varorna inte håller acceptabel kvalitet och felet inte anses som ett större fel.

## Returneringspolicy/ garantiservice

Garantianspråk är endast giltiga om ett inköpsbevis tillhandahålls Disruptive Hong Kong Limited som bevis på att produkten köpts från en godkänd Disruptive Hong Kong Limited-återförsäljare och om anspråket görs inom ett (1) år efter inköpstillfället.

För att lämna ett garantianspråk måste du först kontakta Disruptive Hong Kong Limited via e-post på [support@gear4.com](mailto:support@gear4.com), eller genom att skriva till Disruptive Hong Kong Ltd, Rm 2002, 20/F King Palace Plaza, 52A Sha Tsui Road, Tsuen Wan, Hong Kong, och ange ditt namn, din fullständiga postadress, ditt telefonnummer, produktens namn och serienummer, datum och plats för inköp samt en detaljerad beskrivning av problemet som du upplever.

Om felet omfattas av denna garanti kommer du att få ett auktorisationsnummer och instruktioner för returnering av produkten. Om möjligt måste du skicka den skadade eller felaktiga produkten till Disruptive Hong Kong Limited. Det ursprungliga inköpsbeviset **MÅSTE** bifogas den returnerade produkten. Vi rekommenderar starkt att du behåller en kopia av inköpsbeviset för din egen skull.

För att undvika ytterligare avgifter måste alla returneringar och utbyten innehålla det ursprungliga förpackningsmaterialet, produktlådan, alla medföljande tillbehör som kan omfatta men inte nödvändigtvis är begränsade till elkontakter eller strömkablar, anslutningskablar, fjärrkontroller, adaptrar, inlägg, kort och bruksanvisningar. Avsaknaden av någon av de ovan nämnda artiklarna kan medföra en avgift för ersättningen av dem. Disruptive Hong Kong Limited ansvarar inte för indirekta eller direkta följdförluster.

Disruptive Hong Kong Limited ansvarar inte för produkter som försvinner eller skadas under transporten. Alla produkter som returneras utan det ursprungliga inköpsbeviset kommer att returneras utan att ha undersökts eller testats, och sådana returneringar sker på kundens bekostnad.



Luettava ennen käyttöä.

**STREET  
PARTY  
WIRELESS 2**



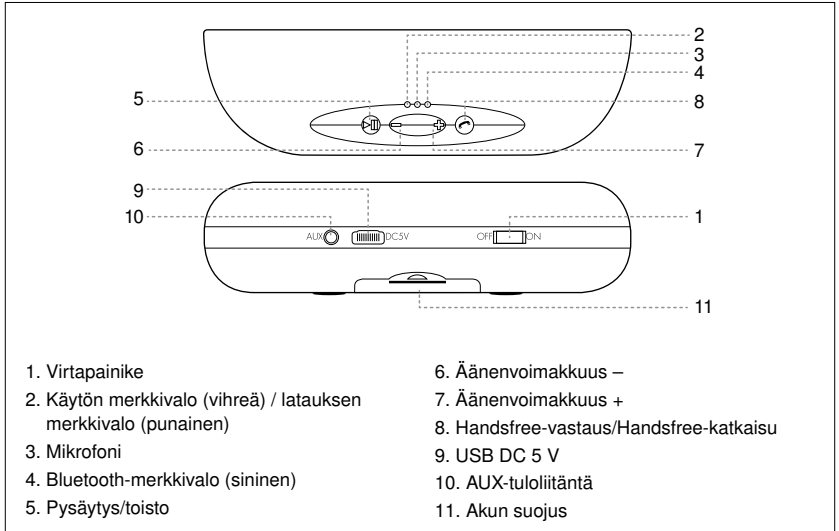
- Toista musiikkia mistä tahansa Bluetooth-laitteesta\*
- Irrotettava litium-ioniakku
- Kaiutinpuhelin
- Akun kesto jopa 5 tuntia\*\*
- AUX-portti muiden musiikkisoittimien käyttöä varten

- Micro-USB-lataus
- Pehmeä viimeistely
- Stereoääni
- Parannettu bassoääni passiivisäteilijällä

\* Bluetooth 3.0 (A2DP) -kantama enintään 10 metriä näköyhteydestä riippuen

\*\* Akun kesto enimmäisäänenvoimakkuudella

Aktivoi takuu rekisteröimällä StreetParty Wireless 2 osoitteessa [www.gear4.com/register](http://www.gear4.com/register) niin saat jatkossa myös tuotepäivityksiä.



## Käyttöohjeet

### Akun asennus

- Avaa akkutila ja aseta akku kaiuttimen pohjaan napaisuusmerkkintöjen mukaan (+/-). Napaisuusohjeet on merkitty akkutilan pohjaan.

### Käynnistys

- Liu'uta virtapainike ON-asentoon, jolloin sininen LED alkaa vilkkua. SPW2 siirtyy automaattisesti Bluetooth-tilaan, kun se käynnistetään. Jos AUX-kaapeli (3,5 mm) on kytketty SPW2:een, sininen LED ei syty. Huomaa: kun SPW2 on on Aux-In-tilassa, Bluetooth-tila katkaistaan.

### Virran katkaisu

- Liu'uta virtapainike OFF-asentoon, jolloin kaikki LED-tilavalot sammuvat.

### Bluetooth-tila

#### PARILIITOS

- Yksikkö siirtyy automaattisesti pariliitostilaan, kun se käynnistetään. Siirry laitteen asetusvalikkoon ja etsi kohdetta GEAR4 SPW2. Kun pariliitos on muodostunut, yksikkö yhdistää automaattisesti, kun SPW2 on käynnissä ja laite on kantaman sisällä.

#### MUSIIKIN TOISTO

- Aloita musiikin toisto painamalla .
- Säädä äänenvoimakkuutta painamalla - tai +.

### PUHELUIDEN SOITTO JA VASTAANOTTO

- Kun SPW2 on yhteydessä ja pariliitoksessa laitteen kanssa, SPW2:lla voidaan soittaa tai vastaanottaa puheluja sisäänrakennetun mikrofonin avulla.
- Vastaa puheluun painamalla .
- Katkaise puhelu painamalla .
- Hylkää puhelu painamalla ja pitämällä sitä painettuna.

### Aux-In-tila

- Kytke toimitukseen kuuluva 3,5 mm:n kaapeli SPW2-yksikköön. Toinen pää kytketään laitteeseesi.

### Lataus

- Kytke USB-kaapeli SPW2-yksikköön ja kytke mihin tahansa USB-laturiin. Jos yksikön varaus on kokonaan loppu, täyteen lataus kestää noin 2,5 tuntia. Punainen LED syttyy latauksen aikana. Kun lataus on valmis, valo muuttuu vihreäksi.

### Merkkivalon tila

- Bluetooth-pariliitostila: Vihreä merkkivalo ja vilkkuva sininen merkkivalo
- Bluetooth yhdistetty -tila: Vihreä merkkivalo ja tasainen sininen merkkivalo
- Aux-tila: Ainoastaan vihreä merkkivalo
- Lataus: Punainen merkkivalo

Copyright © 2014 Disruptive Hong Kong Limited. Kaikki oikeudet pidätetään. Kopiointi kielletty. GEAR4 ja StreetParty Wireless 2 ovat Disruptive Hong Kong Limited:n tavaramerkkejä. iPad, iPhone, iPod ja iPod touch ovat Apple Inc:n tavaramerkkejä, jotka on rekisteröity USA:ssa ja muissa maissa. App Store on palvelu merkki Apple Inc.

Bluetooth®-sanamerkki ja -logot ovat Bluetooth SIG, Inc:n rekisteröityjä tavaramerkkejä.

## VAROITUS

Vältäaksesi tulipaloa tai sähköiskua älä jätä tuotetta sateeseen tai kosteaan paikkaan.

Laitetta ei saa altistaa pisaroille tai roiskeille, eikä sen päälle saa asettaa nesteellä täytettyjä esineitä, kuten maljakoita.

Räjähdyksivaara, jos akku asetetaan väärin. Akun saa vaihtaa ainoastaan valmistaja. Akun saa vaihtaa ainoastaan samanlaiseen tai samantyyppiseen akkuun.

## HUOMIO

Säteilyvaara jos ei käytetä ohjekirjan mukaisesti.

Akut / paristot (akkupakkaus tai asennetut paristot) on suojattava liialliselta kuumuudelta, kuten auringonpaisteelta tai tulelta.

## PAKKAUKSEN PURKAMINEN JA ASENNUS

Pura laite pakkauksesta varovasti. Pakkaus kannattaa säästää siirtä varalta, että haluat myöhemmin varastoida laitteen. Älä koskaan aseta laitetta tai sen akkuja patterin tai muun lämmönlähteen lähelle, suoraan auringonvaloon tai veden lähetyville.

## TURVALLISUUSOHJEITA

- Älä kosketa laitetta märin käsin, koska tämä saattaa aiheuttaa tulipalon tai sähköiskun.
- Laitetta saa huoltaa ainoastaan pätevä ammattilainen.
- Älä avaa laitteen koteloita.
- Irrota laitteen virtajohto ukonilman aikana tai jos laitetta ei käytetä pitkään aikaan.



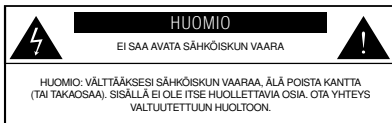
VAROITUS

Salama kolmion sisällä -symboli varoittaa käyttäjää eristämättömästä suurjännitteestä laitteen sisällä ja mahdollisesta sähköiskuvaarasta.



VAROITUS

Huutomerkki kolmion sisällä -symboli muistuttaa käyttäjää siitä, että laitteen mukana toimitetuissa oppaissa on tärkeitä käyttö- ja huolto-ohjeita.



## LAITTEEN HÄVITTÄMINEN

EU-direktiivin 2002 / 96 / EY ja sähkö- ja elektroniikkalaiteromusta annetun asetuksen mukaisesti kaikki sähkö- ja elektroniikkalaitteet kuuluvat erillisen keräysjärjestelmän piiriin. Älä hävitä laitetta tavallisen sekajätteen mukana vaan noudata paikallisia ohjeita SER-romun keräyksen suhteen.

Älä hävitä paristoja tavallisen sekajätteen mukana vaan noudata turvallista hävittämistä koskevia paikallisia ohjeita.



Roska-astiamerkintä tarkoittaa, että tätä tuotetta ei saa hävittää kotitalousjätteen mukana EU:n alueella. Tuote on kierrätettävä asianmukaisesti. Näin tuetaan materiaalien uudelleenkäyttöä ja autetaan valvomattoman jätteiden hävittämisen aiheuttamien ympäristö- ja terveysriskien ehkäisemisessä. Palauta käytetty laite käyttämällä palautus- ja keräysjärjestelmiä tai ota yhteys jälleenmyyjään, jolta tuote hankittiin. Jälleenmyyjä voi kierrättää tuotteen ympäristön kannalta turvallisesti.

## GEAR4: yhden vuoden takuu

Disruptive Hong Kong Limited, jonka kauppanimi on GEAR4, takaa, että tässä tuotteessa ei ole valmistus- ja materiaalivikoja myyntipisteessä. Tässä tuotteessa ei esiinny vikoja yhden (1) vuoden aikana sen alkuperäisestä ostopäivästä, jos sitä käytetään käyttöohjeiden mukaisesti.

Vahingot tai viat, jotka aiheutuvat tätä tuotetta koskevien ohjeiden laiminlyömisestä tai onnettomuudesta, väärinkäytöstä, virheellisestä käytöstä, epäasiallisesta käytöstä, tuotteen muuttamisesta, viallisista lisälaitteista, väärästä jännitteestä tai virrasta, ukonilmasta tai muista luonnonmullistuksista, kaupallisesta kodin ulkopuolisesta käytöstä, normaalista kulumisesta, toimituksen aikaisesta vahingosta tai menetyksestä, digitaalisille medioittimille aiheutuneesta vahingosta tai muun kuin Disruptive Hong Kong Limitedin suorittamista toimista aiheutuneista vahingoista, suljetaan nimenomaisesti pois edellä mainitun takuun piiristä.

Disruptive Hong Kong Limited korjaa tai vaihtaa oman harkintansa mukaan tuotteen, jossa ilmenee valmistus- ja/tai materiaalivika, tämän takuun mukaan. Jos tuotetta ei enää valmisteta tai sitä ei ole varastossa Disruptive Hong Kong Limitedin kuullaessa takuuvaatimuksesta tai sen jälkeen, Disruptive Hong Kong Limited voi harkintansa mukaan vaihtaa tuotteen vastaavaan tuotteeseen.

Disruptive Hong Kong Limitedin vastuu rajoittuu viallisen tuotteen korjaamiseen tai vaihtamiseen takuun nojalla, ja kaikki satunnaiset tai väilliset vahingot suljetaan nimenomaisesti pois lain sallimassa enimmäislaajuudessa. Tämä takuu ei ole siirrettävissä, ja se koskee ainoastaan tuotteen alkuperäistä ostajaa.

Mikään tässä käyttöohjeessa ei sulje pois tai rajoita Disruptive Hong Kong Limitedin vastuuta kuolemantapauksista tai henkilövahingoista, jotka johtuvat Disruptive Hong Kong Limitedin laiminlyönnistä, petoksesta, erehdyttämisestä tai vuonna 1979 säädetyn tavaroiden myyntiä koskevan lain osan 12 säännösten rikkomisesta (Sale of Goods Act 1979, Section 12).

Tämä takuu antaa käyttäjälle tiettyjä laillisia oikeuksia käyttäjän maan lakien antamien oikeuksien lisäksi. Tämän takuun tarkoituksena ei ole rajata tällaisia laillisia oikeuksia.

### Australian kuluttajalainsäädäntö

Australiassa sovelletaan kauppatapoja (Australian kuluttajalainsäädäntö) koskevan lainmuutoksen säännöksiä vuodelta 2010 (nro 1) (Trade Practices Amendment Regulations 2010). Tuotteisiimme kuuluu takuita, joita ei voida sulkea pois Australian kuluttajalainsäädännön perusteella. Vakavan vian sattuessa käyttäjällä on oikeus vaihtotuotteeseen tai hyvitykseen ja korvaukseen mahdollisista muista kohtuudella ennakoitavista menetyksistä tai vahingoista. Käyttäjällä on myös oikeus saada tuote korjattua tai vaihdettua, jos tuotteen laatu ei ole hyväksyttävä ja vian laatu ei ole vakava.

## Palautukset/takuuhuolto

Takuuvaatimukset ovat päteviä vain, jos Disruptive Hong Kong Limitedille toimitetaan ostotodistus, josta käy ilmi, että tuote ostettiin valtuutetulta Disruptive Hong Kong Limited -jälleenmyyjältä ja että vaatimus tehdään yhden (1) vuoden kuluessa ostohetkestä.

Takuuvaatimus tehdään ottamalla ensin yhteyttä Disruptive Hong Kong Limitediin sähköpostitse osoitteeseen [support@gear4.com](mailto:support@gear4.com) tai postitse osoitteeseen Disruptive Hong Kong Ltd, Rm 2002, 20/F King Palace Plaza, 52A Sha Tsui Road, Tsuen Wan, Hongkong. Yhteydenotossa on ilmoitettava nimi, täysi postiosoite, puhelinnumero, tuotteen nimi ja sarjanumero, ostopaikka ja -aika sekä yksityiskohtainen kuvaus ongelmasta.

Jos tämä takuu kattaa vian, käyttäjälle toimitetaan valtuutusnumero ja palautustoimituksen ohjeet. Disruptive Hong Kong Limitedille on mahdollisuuksien mukaan lähetettävä vaurioitunut tai viallinen tuote. Alkuperäinen ostotodistus **TÄYTYY** toimittaa palautettavan tuotteen mukana. Suosittelemme kopion säilyttämistä ostotodistuksesta.

Lisämaksujen välttämistä varten kaikkien palautettavien ja vaihdettavien tuotteiden mukana on toimitettava alkuperäiset pakkausmateriaalit, tuotteen laatikko, kaikki tuotteeseen kuuluvat lisävarusteet, kuten virtasovittimet tai -johdot, yhdyskaapelit, kauko-ohjaimet, sovitimet, insertit, kortit ja käyttöohjeet. Edellä mainittujen esineiden puuttuminen saattaa tarkoittaa, että niiden vaihtamisesta peritään maksu. Disruptive Hong Kong Limited ei ole vastuussa epäsuorista tai suorista väillisisistä menetyksistä.

Disruptive Hong Kong Limited ei ole vastuussa toimituksen aikana kadonneista tai vaurioituneista tuotteista. Ilman alkuperäistä ostotodistusta toimitettu tuote palautetaan ilman tutkintaa ja testausta, ja asiakas on vastuussa tällaisen palautuksen kustannuksista.



Læs venligst dette før brug.

**STREET PARTY WIRELESS 2**

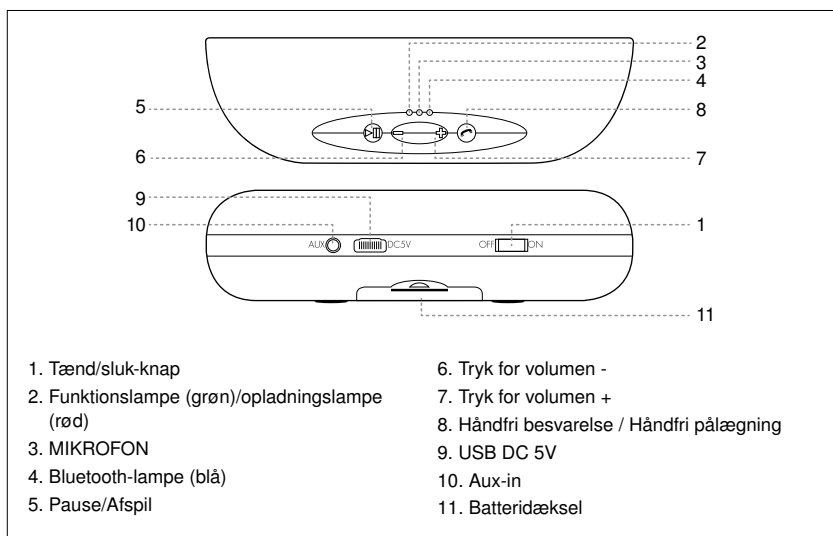


- Stream musik fra enhver Bluetooth-enhed\*
- Udskifteligt og genopladeligt litium-ion-batteri
- Højtalertelefon
- Op til fem timers batterilevetid\*\*
- Aux-in port til brug sammen med andre musikafspillere
- Micro-USB-opladning
- Blød overflade
- Stereolyd
- Passiv enhed for forbedret basgengivelse

\*Bluetooth 3.0 (A2DP) med rækkevidde op til 10 m, afhængigt af sigtelinje.

\*\*Batterilevetid ved maks. volumen

Registrér din kopi af StreetParty Wireless 2 for at aktivere garantien og modtage produktopdateringer på [www.gear4.com/register](http://www.gear4.com/register)



## Brugsvejledning

### Isæt batteriet.

- Åbn batterirummet og placer et genopladeligt batteri i bunden af højtaleren iht. polaritetsangivelserne (+/-). En vejledning er angivet i bunden af batterirummet.

### Tænd for enheden

- Skyd tænd/sluk-kontakten hen til "ON" – den blå LED begynder at blinke. SPW2 går automatisk i Bluetooth-tilstand, når den tændes. Hvis et Aux-kabel (3,5 mm) er tilsluttet SPW2, tændes den blå LED ikke. Bemærk: Når SPW2 er i Aux-In-tilstand, er Bluetooth-tilstanden afbrudt.

### Sluk for enheden

- Skyd tænd/sluk-kontakten hen til "OFF" – alle LED-statuslamperne slukkes.

### Bluetooth-tilstand

#### PARRING

- Enheden går automatisk i "Parringstilstand", når den tændes. Åbn menuen til indstilling af enheder, og find "GEAR4 SPW2". Når enheden er blevet parret, opretter den automatisk forbindelse, når SPW2 tændes, og enheden er inden for rækkevidde.

#### AFSPIL MUSIK

- Tryk på for at afspille musik.
- Tryk enten på "-" eller "+" for at regulere volumen.

#### FORETAG OG MODTAG TELEFONOPKALD

- Når SPW2 er tilsluttet og parret med din enhed, giver SPW2 mulighed for at foretage eller modtage telefonopkald med sin indbyggede mikrofon.
- Tryk på for at tage et opkald.
- Afbryd ved at trykke på .
- Afvis et opkald ved at trykke på og holde nede

#### Aux-In-tilstand

- Stik det medfølgende 3,5 mm-kabel ind i SPW2. Den anden ende er koblet til din enhed.

#### Opladning

- Tilslut USB-kablet til SPW2, og stik det ind i enhver USB-oplader. Hvis enheden er helt afladet, tager det ca. 2,5 timer at oplade den helt. Den røde LED lyser under opladningen og bliver grøn, når opladningen er gennemført.

#### LED-status

- Tilstanden Bluetooth-parring: Grøn LED og blinkende blå LED
- Tilstanden Bluetooth-tilsluttet: Grøn LED og konstant lysende blå LED
- Aux-tilstand: Kun grøn LED
- Oplader: Rød LED

Copyright © 2014 Disruptive Hong Kong Limited. Alle rettigheder forbeholdes. Reproduktion af dele eller helheden af dette dokument er ikke tilladt. GEAR4 og StreetParty Wireless 2 er varemærker tilhørende Disruptive Hong Kong Limited. iPad, iPhone, iPod og iPod touch er varemærker tilhørende Apple Inc., registreret i USA og andre lande. App Store er et varemærke for tjenesteydelser af Apple Inc.

Bluetooth®-varemærket og -logoer er varemærker tilhørende Bluetooth SIG, Inc.

## ADVARSEL

For at mindske risikoen for brand eller elektrisk stød må enheden ikke udsættes for regn eller fugt.

Apparatet må ikke udsættes for dryp eller vandstænk, og genstande, der er fyldt med vand (f.eks. en vase), må ikke anbringes på apparatet.

Eksplosionsfare ved forkert udskiftning af batteriet. Batteriet må kun udskiftes af producenten og kun med samme eller tilsvarende batteritype.

## BEMÆRK

Brug af styring eller justeringer af ydelse udover de specificerede kan føre til udsættelse for farlig stråling.

Batterierne (batteripakken eller isatte batterier) må ikke udsættes for stærk varme, f.eks. i form af direkte sollys, ild eller lignende.

## ÅBNING AF EMBALLAGEN OG INSTALLATION

Åbn enheden forsigtigt. Vi anbefaler, at du gemmer emballagen, i fald du får brug for at opbevare enheden. For at undgå skade bedes du aldrig placere enheden eller dens batterier i nærheden af radiatorer, foran varmeanftræk, i direkte sollys eller nær vand.

## AF HENSYN TIL DIN SIKKERHED

- Rør aldrig ved enheden med våde hænder, da det kan forårsage brand eller elektrisk stød.
- Lad kun kvalificeret personale foretage serviceeftersyn.



Lynsymbolet med pilehoved i en ligesidet trekant er tiltænkt som advarsel til brugeren om tilstedeværelsen af ikke-isoleret "Farlig Spænding" i produktets indfatning, som kan være tilstrækkelig stærk til at udgøre en risiko for elektrisk stød.



Udråbstegnet med en ligesidet trekant er tiltænkt som advarsel til brugeren om vigtige instrukser om drift og vedligeholdelse (service) i apparatets medfølgende brugsanvisninger.

	<b>BEMÆRK</b>	
RISIKO FOR ELEKTRISK STØD; MÅ IKKE ÅBNES		
ADVARSEL: FJERN IKKE DÆKSELET (ELLER BAGDÆKSELET) AF HENSYN TIL MINDSKELSE AF RISIKOEN FOR ELEKTRISK STØD. DER ER INGEN DELE, SOM SKAL VEDLIGEHOLDES AF BRUGEREN INDEN OVERLAD EFTERSYN TIL KVALIFICERDE SERVICETEKNIKERE.		

- Åbn ikke indfatningen.
- Træk stikket til enheden ud i lynvej, eller når den ikke anvendes i længere tidsrum.

## BORTSKAFFELSE

I henhold til EU Direktiv 2002 / 96 / EC skal alle elektriske og elektroniske produkter indsamles særskilt af et lokalt indsamlingssystem. Handl venligst i henhold til dine lokale regler og bortskaf ikke dine gamle produkter med dit almindelige husholdningsaffald.

Kasser ikke batterier sammen med dit normale husholdningsaffald. Følg lokale regler for sikker afskaffelse.



Mærket med affaldsbeholderen indikerer, at dette produkt ikke må bortskaffes med andet husholdningsaffald i hele EU. For at hindre mulig skade på miljø eller menneskers helbred fra ukontrolleret bortskafning af affald skal det genbruges ansvarligt for at promovere bæredygtig genanvendelse af materielle ressourcer. Brug returnerings- og opsamlingsystemerne til at returnere din brugte enhed, eller kontakt detailhandleren, hvor produktet er købt. De kan bringe dette produkt til miljø sikkert genbrug.

## GEAR4 – et års garanti

Disruptive Hong Kong Limited, som driver virksomhed under navnet GEAR4, garanterer, at dette produkt er fri for fabriktions- og materialefejl på salgstidspunktet. Produktet vedbliver med at være fri for fejl, forudsat at produktet bruges i overensstemmelse med brugsvejledningen, i en periode på et (1) år fra den oprindelige købsdato.

Hvis der opstår skader eller defekter, der skyldes, at man har undladt at følge produktanvisningerne, eller som er opstået som følge af en ulykke, misbrug, mishandling, forkert brug, produktændring, defekt hjælpeudstyr, forkert spændings- eller strømstyrke, lynnedslag eller anden force majeure, kommerciel brug uden for hjemmet, almindelig slitage, forsendelsesskader eller -tab, skader på digitale medieafspillere eller skader forårsaget af alle andre end Disruptive Hong Kong Limited, er disse udtrykkeligt undtaget fra den ovennævnte garanti.

Disruptive Hong Kong Limited vil efter eget skøn reparere eller erstatte ethvert produkt, der beviseligt er behæftet med enten fabriktions- eller materialefejl eller begge dele, og som er dækket af denne garanti. Hvis produktet ikke længere produceres eller er udsolgt på det tidspunkt, hvor Disruptive Hong Kong Limited meddeles om garantikravet, kan Disruptive Hong Kong Limited helt efter eget skøn vælge at erstatte dit produkt med et lignende produkt.

Disruptive Hong Kong Limiteds ansvar begrænser sig til at reparere eller erstatte ethvert defekt produkt, der er dækket af garantien, og alle tilfældige skader eller følgeskader undtages i det omfang, loven tillader det. Denne garanti kan ikke overdrages og gælder ikke for andre brugere end den person, som oprindeligt købte produktet.

Intet i denne manual begrænser eller undtager Disruptive Hong Kong Limiteds erstatningspligt ved dødsfald eller personskade som følge af Disruptive Hong Kong Limiteds uagtsomhed, ved svindel eller svingagtige oplysninger eller ved brud på de underforståede bestemmelser i paragraf 12 i Sale of Goods Act af 1979.

Denne garanti giver dig særlige juridiske rettigheder i tillæg til de rettigheder, du har i henhold til dit lands lovgivning. Denne garanti tilsigter ikke at begrænse sådanne juridiske rettigheder.

### Australsk forbrugerlovgivning

I Australien finder Trade Practices Amendment Regulations (australsk forbrugerlovgivning) af 2010 (nr. 1) anvendelse. Med vores varer følger garantier, som ikke kan undtages i henhold til den australske forbrugerlovgivning. Du har ret til erstatning eller refusion i tilfælde af alvorlige fejl samt kompensation for andre rimelige og påregnelige tab eller skader. Du har ligeledes ret til at få varer repareret eller erstattet, hvis varerne ikke er af acceptabel kvalitet, og fejlen ikke udgør en alvorlig fejl.

## Returneringspolitik/ garantiservice

Garantikrav er kun gyldige ved forevisning af et købsbevis til Disruptive Hong Kong Limited som dokumentation for, at produktet er købt ved en autoriseret Disruptive Hong Kong Limited-forhandler, og at kravet rejses inden for et (1) år fra købsdatoen.

Hvis du vil rejse et garantikrav, skal du først kontakte Disruptive Hong Kong Limited via e-mail på adressen [support@gear4.com](mailto:support@gear4.com) eller skrive til: Disruptive Hong Kong Ltd, Rm 2002, 20/F King Palace Plaza, 52A Sha Tsui Road, Tsuen Wan, Hong Kong. Du skal oplyse dit navn, din fulde adresse, et telefonnummer, du kan kontaktes på, navnet på produktet samt dets serienummer, dato for køb, købssted og en detaljeret beskrivelse af problemet.

Hvis garantien dækker defekten, får du et autorisationsnummer og en vejledning til returforsendelsen. Du skal om muligt sende det beskadigede eller defekte produkt til Disruptive Hong Kong Limited. Returforsendelsen med produktet **SKAL** indeholde det originale købsbevis. Vi anbefaler på det kraftigste, at du selv gemmer en kopi af købsbeviset.

Hvis du vil undgå yderligere gebyrer, skal alle returvarer og erstatninger returneres med originalemballagen, produktkassen, alt medfølgende tilbehør. Dette kan inkludere, men er ikke begrænset til, strømadaptere, el-ledninger, tilslutningskabler, fjernbetjeninger, adaptere, indsatser, kort og betjeningsmanualer. Hvis en eller flere af ovennævnte artikler mangler, kan det betyde, at du skal betale et erstatningsgebyr. Disruptive Hong Kong Limited er ikke erstatningspligtige for indirekte eller direkte følgeskader.

Disruptive Hong Kong Limited er ikke ansvarlige for tab eller beskadigelse af produkter under forsendelse. Produkter, der returneres uden det originale købsbevis, returneres uden at blive eftersat eller efterprøvet, og sådanne returneringer sker for kundens regning.

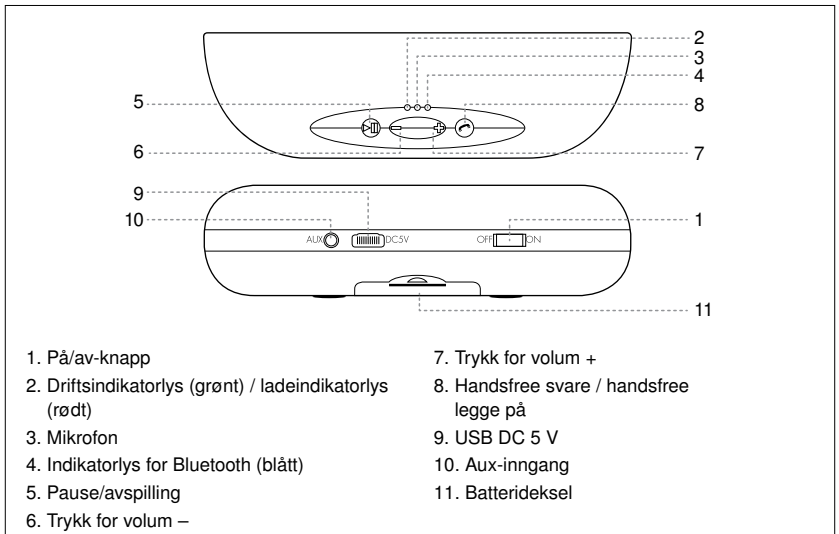


- Spill av musikk fra enhver Bluetooth-enhet\*
- Litium-ion-batteri som kan fjernes og lades
- Høytaler
- Opptil 5 timers batterilevetid\*\*
- Aux-inngangsport for bruk med andre musikkspillere
- Lading med mikro-USB
- Behagelig finish
- Stereolyd
- Passiv radiator for forbedret bass

\*Bluetooth 3.0 (A2DP)-rekkevidde opptil 10 m, avhengig av synslinjen.

\*\*Batterilevetid ved maksimalt volum

Registrer StreetParty Wireless 2 for å aktivere garantien din og motta produktoppdateringer, på [www.gear4.com/register](http://www.gear4.com/register)



## Instruksjoner for bruk

### Installere batteriet.

- Åpne opp batterirommet og plasser et oppladbart batteri i bunnen av høyttaleren. Følg polaritetsmarkeringene (+/-). Retningslinjer for dette er merket på bunnen av batterirommet.

### Slå på

- Skyv på/av-knappen til "ON"-posisjonen, det blå indikatorlyset vil begynne å blinke. SPW2 vil automatisk velge Bluetooth-modus når den slås på. Hvis en Aux-kabel (3,5 mm) er koblet til SPW2, vil ikke det blå indikatorlyset tennes. Merk: Når SPW2 er i Aux-inngangmodus, vil Bluetooth-modusen kobles fra.

### Slå av

- Skyv på/av-knappen til "OFF"-posisjonen, alle statusindikatorlysene vil slå seg av.

### Bluetooth-modus

#### PARREVOLVERING

- Enheten vil automatisk gå inn i "parrevolveringsmodus" når den slås på. Gå inn i enhetens innstillingsmeny og se etter "GEAR4 SPW2". Etter at enheten har blitt parett, vil den automatisk koble til når SPW2 er slått på og enheten er innenfor rekkevidde.

#### SPILE MUSIKK

- Trykk på for å begynne å spille musikk.
- Trykk på enten "-" eller "+" for volumkontroll.

### FORETA OG MOTTA ANROP

- Når SPW2 er tilkoblet og parett med enheten, gjør SPW2 det mulig for deg å foreta eller motta anrop med den innebygde mikrofonen.

- Trykk på for å ta i mot et anrop.
- Trykk på for å legge på.
- For å avvise et anrop, trykk på og hold inne .

### Aux-inngangmodus

- Koble den medfølgende 3,5 mm kablet inn i SPW2. Den andre enden er koblet til enheten.

### Lading

- Fest USB-kablet til SPW2 og koble til en USB-lader. Hvis enheten er helt utladet, vil det ta omtrent 2,5 timer før den er fulladet igjen. Det røde indikatorlyset vil tennes under lading. Når den er ferdigladet, vil lyset bli grønt.

### Indikatorlysstatus

- Bluetooth-parrevolveringsmodus: Grønt indikatorlys og blinkende blått indikatorlys
- Bluetooth-tilkoblet modus: Grønt indikatorlys og solid blått indikatorlys
- Aux-modus: Kun grønt indikatorlys
- Lading: Rødt indikatorlys



## ADVARSEL

For å redusere risikoen for brann eller elektrisk støt, utsett ikke denne enheten for regn eller fuktighet.

Ikke eksponer for drypp eller sprut, og ikke plasser objekter med væske, som f.eks. vaser, på apparatet.

Fare for eksplosjon hvis batteriet byttes ut med feil type. Bytt kun med samme eller tilsvarende type.

## FORSIKTIG

Bruk av kontroller eller justeringer av ytelsen eller prosedyrer andre enn de som er spesifisert, kan føre til eksponering for farlig stråling.

Batterier (batteripakke eller batterier i dokkingstasjonen) skal ikke eksponeres for overdreven varme eller sollys, brann eller lignende.

## PAKKE UT OG INSTALLERE

Pakk ut enheten forsiktig. Vi anbefaler at du tar vare på emballasjen i tilfelle du vil lagre enheten senere. For å unngå skade, ikke plasser enheten eller dens batterier nær radiatorer, foran varmeventiler, i direkte sollys eller nær vann.

## FOR DIN SIKKERHET

- Ikke rør strømpluggen med våte hender, da dette kan føre til elektrisk støt eller brann.
- La kun kvalifisert personell utføre service.
- Ikke åpne huset.
- Dra ut pluggen ved tordenvær og når enheten ikke skal brukes over lengre perioder.



ADVARSEL

Lynsymbolet i en likesidet trekant er ment å varsle brukeren om tilstedeværelsen av uisolert farlig spenning i produktets deksel som kan være stor nok til å utgjøre fare for elektrisk støt.



ADVARSEL

Utropstegnet i en likesidet trekant er ment å varsle brukeren om tilstedeværelsen av viktige instruksjoner for bruk og vedlikehold (service) i litteraturen som følger med apparatet.

	<b>FORSIKTIG</b> FARE FOR ELEKTRISK STØT, IKKE ÅPNE	
FORSIKTIG: FOR Å REDUSERE FARE FOR ELEKTRISK STØT, IKKE FJERN DEKSELET (ELLER BAKSIDEN), INGEN DELER I APPARATET KREVER VEDLIKEHOLD AV BRUKER. FÅ KVALIFISERT PERSONELL TIL Å UTFØRE SERVICE.		

## AVHENDING

Ifølge det europeiske WEEE-direktivet (2002/96/EF) og batteridirektivet (2006/66/EF), skal alle elektriske og elektroniske produkter innsamles separat av lokalt gjenvinningsanlegg. Ikke avhend disse elementene i vanlig husholdningsavfall. Følg lokale regler for trygg avhending.

Ikke kast batteriene i vanlig husholdningsavfall. Følg lokale regler for trygg avhending.



Symbolet med en søppeldunk angir at dette produktet ikke må avhendes sammen med annet husholdningsavfall i EU. For å forhindre skade på miljøet eller menneskelig helse som følge av ukontrollert avfallsavhending, må den gjenvinnes på en ansvarlig måte for å fremme bærekraftig gjenbruk av materialressurser. For å returnere en brukt enhet, bruk retur- og innsamlingsystemene, eller ta kontakt med forhandleren som du kjøpte produktet fra. Her kan produktet gjenvinnes på en måte som beskytter miljøet.

## GEAR4s ett års garanti

Disruptive Hong Kong Limited, med handelsnavnet GEAR4, garanterer at dette produktet er fritt for produksjons- og materialfeil ved salgstidspunktet. Under forutsetning av at dette produktet blir brukt i henhold til bruksanvisningen, skal produktet fortsette å være feilfritt i en periode på ett (1) år fra den opprinnelige kjøpsdatoen.

Skader eller defekter som skyldes at anvisningene for dette produktet ikke ble fulgt, eller som er resultat av en ulykke, misbruk, feilaktig bruk, feilaktig anvendelse, produktmodifikasjoner, skadet hjelpeutstyr, feil spenning eller strøm, lyn eller annen force majeure, kommersiell bruk, naturlig slitasje, fraktskader, skade eller tap under forsendelse, skade på digitale mediespillere eller skade forårsaket av andre enn Disruptive Hong Kong Limited, er uttrykkelig ekskludert fra garantien nevnt ovenfor.

Disruptive Hong Kong Limited vil, etter eget skjønn, reparere eller erstatte produkter som viser seg å være defekte på grunn av produksjons- og/eller materialfeil, og som dekkes av denne garantien. Hvis produktet ikke produseres lenger, eller er utsolgt når eller etter at Disruptive Hong Kong Limited får vite om garantikravet, kan Disruptive Hong Kong Limited, etter eget skjønn, erstatte produktet med et lignende produkt.

Disruptive Hong Kong Limiteds ansvar er begrenset til reparasjon eller erstatning av defekte produkter som dekkes av garantien, og tilfældige eller betingede skader er uttrykkelig ekskludert i den grad loven tillater det. Denne garantien kan ikke overføres, og gjelder ikke andre brukere enn personen som først kjøpte produktet.

Ikke noe i denne håndboken skal begrense eller ekskludere ansvaret Disruptive Hong Kong Limited har for dødsfall eller personskade som inntreffer som følge av Disruptive Hong Kong Limiteds uaktsomhet, svindel eller villedende opplysninger, eller brudd på vilkårene forutsatt i avsnitt 12 i Sale of Goods Act 1979.

Denne garantien gir deg bestemte juridiske rettigheter, i tillegg til de rettighetene du har krav på ifølge lokal lovgivning. Denne garantien er ikke ment å begrense slike juridiske rettigheter.

### Australsk forbrukerlov

I Australia er det Trade Practices (australsk forbrukerlov) Amendment Regulations 2010 (nr. 1) som gjelder. Varene våre leveres med garantier som ikke kan utelukkes under den australske forbrukerloven. Du har rett på erstatning eller refusjon for grove feil, og på kompensasjon for andre tap eller skader som med rimelighet kunne forutsees. Du har også rett til å få varene reparert eller erstattet hvis varene ikke er av akseptabel kvalitet og mangelen ikke skyldes en stor feil.

## Returpolicy/ garantiservice

Garantikrav er kun gyldige når kjøpsbevis leveres til Disruptive Hong Kong Limited som bevis på at produktet ble kjøpt fra en autorisert Disruptive Hong Kong Limited-forhandler, og når kravet stilles innen ett (1) år etter kjøpet.

Hvis du vil fremsette et garantikrav, må du først kontakte Disruptive Hong Kong Limited via e-post til [support@gear4.com](mailto:support@gear4.com) eller skrive til: Disruptive Hong Kong Ltd, Rm 2002, 20/F King Palace Plaza, 52A Sha Tsui Road, Tsuen Wan, Hongkong og oppgi navn, postadresse, kontaktnummer, navn og serienummer på produktet, kjøpssted og -dato samt en detaljert beskrivelse av problemet.

Hvis feilen dekkes av denne garantien, får du et autorisasjonsnummer og instruksjoner for returforsendelse. Hvis det er mulig, sender du det skadede eller defekte produktet til Disruptive Hong Kong Limited. Det originale kjøpsbeviset **MÅ** følge med det returnerte produktet. Vi anbefaler på det sterkeste at du beholder en kopi av dette kjøpsbeviset.

For å unngå tilleggskostnader må alle retur- og bytteartikler inkludere originalemballasje, produktboks, alt inkludert tilbehør som kan innbefatte, men ikke nødvendigvis begrenset til, strømadaptore eller strømledninger, tilkoblingskabler, fjernkontroller, adaptore, pakninger, kort og bruksanvisninger. Hvis noen av de ovennevnte elementene mangler, kan det påløpe en avgift for å få de erstattet. Disruptive Hong Kong Limited er ikke ansvarlig for indirekte eller direkte følgestap.

Disruptive Hong Kong Limited er ikke ansvarlig for produkter som går tapt eller blir skadet under forsendelse. Produkter som returneres uten det originale kjøpsbeviset blir returnert uten at de blir undersøkt eller testet, og kunden må selv betale for slike returer.



Prosimy przeczytać przed użyciem

**STREET PARTY WIRELESS 2**

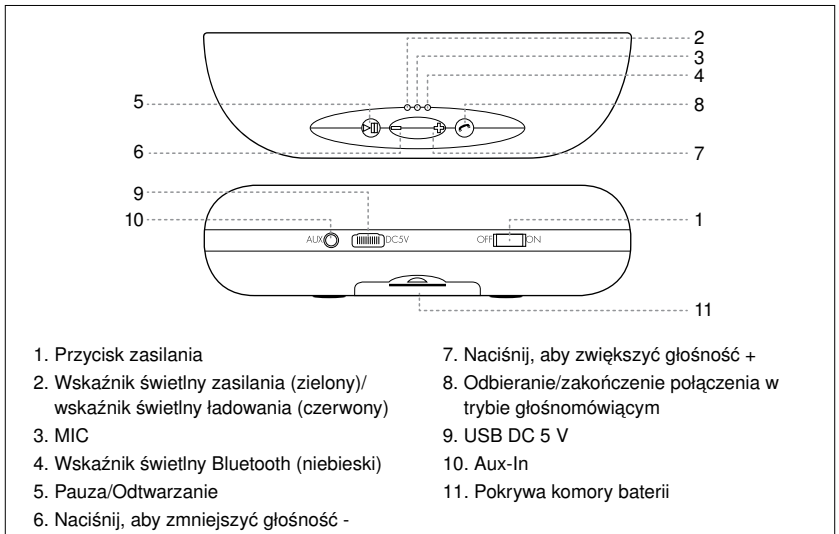


- Strumieniowe przesyłanie muzyki z dowolnego urządzenia Bluetooth\*
- Wyjmowana bateria litowo-jonowa wielokrotnego ładowania
- Zestaw głośnomówiący
- Czas pracy baterii do 5 godzin\*\*
- Wejście Aux-In do użytku z innymi odtwarzaczami muzycznymi
- Ładowanie przez Micro-USB
- Miękkie w dotyku wykończenie
- Dźwięk stereo
- Membrana bierna wzmacniająca basy

\*Bluetooth 3.0 (A2DP) o zasięgu do 10 m, w zależności od bezpośredniego pola widzenia.

\*\*Czas pracy baterii przy maksymalnej głośności.

Zarejestruj StreetParty Wireless 2, by aktywować gwarancję i otrzymywać aktualizacje pod adresem [www.gear4.com/register](http://www.gear4.com/register)



## Instrukcja obsługi

### Wkładanie baterii

- Otwórz komorę baterii i włóż baterię wielokrotnego ładowania do podstawy głośnika zgodnie z oznaczonymi biegunami (+/-). Oznaczenia znajdują się na podstawie komory baterii.

### Włączanie zasilania

- Przesuń przełącznik zasilania do pozycji „ON” (włączony). Niebieska dioda LED zacznie migać. Po włączeniu zasilania urządzenie SPW2 automatycznie wejdzie w tryb Bluetooth. Jeśli do SPW2 podłączony jest kabel Aux (3,5 mm), niebieska dioda LED nie zaświeci się. Uwaga: Gdy urządzenie SPW2 znajduje się w trybie Aux-In, tryb Bluetooth będzie wyłączony.

- Wyłączanie zasilania

- Przesuń przełącznik zasilania do pozycji „OFF”. Wszystkie wskaźniki stanu LED zostaną wyłączone.

### Tryb Bluetooth

#### PAROWANIE

- Po włączeniu zasilania urządzenie przejdzie automatycznie w „Tryb parowania”. Otwórz menu ustawień i znajdź „GEAR4 SPW2”. Po sparowaniu urządzenia połączą się automatycznie, gdy SPW2 będzie włączony, a drugie urządzenie będzie w zasięgu.

#### ODTWARZANIE MUZYKI

- Aby zacząć odtwarzać muzykę, naciśnij .
- Do regulacji głośności służą przyciski „-” i „+”.

### WYKONYWANIE I ODBIERANIE POŁĄCZEŃ TELEFONICZNYCH

- Gdy SPW2 jest połączony i sparowany z drugim urządzeniem, SPW2 umożliwia wykonywanie i odbieranie połączeń za pomocą wbudowanego mikrofonu.
- Aby odebrać połączenie, naciśnij .
- Aby zakończyć połączenie, naciśnij .
- Aby odrzucić połączenie, naciśnij i przytrzymaj .

### Tryb Aux-In

- Podłącz zawarty w zestawie kabel 3,5 mm do SPW2. Drugi koniec należy podłączyć do drugiego urządzenia.

### Ładowanie

- Podłącz kabel USB do SPW2, a drugi koniec podłącz do dowolnej ładowarki USB. Jeśli SPW2 jest całkowicie rozładowany, pełne naładowanie potrwa ok. 2,5 godziny. Podczas ładowania będzie się świecić czerwona dioda LED, a po zakończeniu ładowania dioda zmieni kolor na zielony.

### Wskaźniki stanu LED

- Tryb parowania Bluetooth: zielona dioda i migająca niebieska dioda
- Tryb połączenia Bluetooth: zielona dioda i świecąca światłem ciągłym niebieska dioda
- Tryb Aux: tylko zielona dioda
- Ładowanie: czerwona dioda

## OSTRZEŻENIA

By ograniczyć ryzyko porażenia prądem, unikaj kontaktu z deszczem lub wilgocią.

Unikaj ochlapania sprzętu i upewnij się, że żadne przedmioty wypełnione płynami, takie jak wazony, nie są ustawione na urządzeniu.

Istnieje ryzyko wybuchu, jeśli bateria jest wymieniana w nieodpowiedni sposób. Wymieniaj tylko na takie same baterie lub ich odpowiedniki.

## UWAGA

Obsługa przycisków niezgodna z przeznaczeniem produktu może grozić narażeniem na niebezpieczne promieniowanie.

Baterie (w opakowaniu lub zainstalowane) nie powinny być poddawane oddziaływaniu wysokich temperatur np. słońca, ognia itp..

## ROZPAKOWANIE I INSTALACJA

Rozpakuj ostrożnie urządzenie. Zalecamy, by zachować opakowanie w razie potrzeby przechowywania urządzenia. By uniknąć uszkodzenia urządzenia i baterii, trzymaj je z dala od grzejników, kanałów wentylacyjnych, promieniowania słonecznego i wody.

## DLA TWOJEGO BEZPIECZEŃSTWA

- Nigdy nie dotykaj wtyczki sieciowej mokrymi rękami, by uchronić się od porażenia prądem.
- Serwis urządzenia tylko przez wykwalifikowany personel.
- Nie otwieraj obudowy.
- Odłączaj z sieci podczas burzy lub w czasie długich okresów braku użytkowania.



OSTRZEŻENIE

Świecąca błyskawica z symbolem grota wewnątrz trójkąta równobocznego ma na celu ostrzeżenie użytkownika przed wystąpieniem nieizolowanego "niebezpiecznego napięcia" podczas otwierania obudowy produktu, wysokiego na tyle, by spowodować ryzyko porażenia prądem.



OSTRZEŻENIE

Wykrzyknik wewnątrz trójkąta równobocznego ma na celu powiadomić użytkownika o potrzebie zastosowania się do opisów serwisowania zawartych w instrukcji dołączonej do urządzenia.

## UTYLIZACJA

Zgodnie z Europejską Dyrektywą 2002 / 96/ EC wszystkie elektryczne i elektroniczne produkty muszą być wyrzucane oddzielnie zgodnie z lokalnym systemem usuwania odpadów. Prosimy, byś zastosował się do lokalnych regulacji i nie wyrzucał zużytych produktów do zwykłego kosza na odpadki.

Nie wyrzucaj baterii do zwykłego kosza na odpadki. Zastosuj się do lokalnych regulacji dotyczących bezpiecznej utylizacji.



Symbol kołowego kontenera na śmieci oznacza, że nie należy wyrzucać tego produktu z innymi odpadami domowymi w całej Unii Europejskiej. Aby zapobiec potencjalnym szkodom dla środowiska lub zdrowia ludzkiego spowodowanym przez niekontrolowaną utylizację odpadów, należy produkt odpowiedzialnie oddać do recyklingu w celu promowania ponownego wykorzystania zasobów materiałowych w sposób przyjazny dla środowiska. Aby zwrócić używane urządzenie, prosimy skorzystać z systemów zwrotu i odbioru lub skontaktować się ze sprzedawcą, u którego produkt został kupiony. Sprzedawca może oddać produkt do recyklingu bezpiecznego dla środowiska.

	<b>UWAGA</b>	
NIE OTWIERAĆ RYZYKO PORĄŻENIA PRĄDEM		
OSTRZEŻENIE: BY OGRANICZYĆ RYZYKO PORĄŻENIA PRĄDEM NIE USUWAJ OBUĐOWY (LUB TYŁU). BRAK CZEŚĆ MOŻLIWYCH DO NAPRAWY PRZEZ UŻYTKOWNIKA. ZDAJ SIĘ NA WYKWALIFIKOWANY PERSONEL W SERWISIE.		

## Jeden rok gwarancji od GEAR4

Disruptive Hong Kong Ltd, właściciel marki GEAR4, gwarantuje, że ten produkt w momencie sprzedaży jest wolny od jakichkolwiek wad w wykonaniu i materiałach. Jeśli produkt będzie użytkowany zgodnie z instrukcją obsługi, powinien pozostać bez wad przez rok od daty zakupu.

Jakiegokolwiek uszkodzenie spowodowane niezastosowaniem się do instrukcji obsługi tego produktu lub jako wynik wypadku, nadużycia, niewłaściwego użycia lub zastosowania, modyfikacji produktu, wadliwego sprzętu pomocniczego, nieprawidłowego napięcia prądu, pioruna lub siły wyższej, użycia komercyjnego, normalnego zużycia w wyniku eksploatacji, utraty lub uszkodzenia w przesyłce, uszkodzenia cyfrowych odwarzaczy lub spowodowane przez czynności kogokolwiek innego niż Disruptive Hong Kong Ltd jednoznacznie wyłączają postanowienia gwarancji sformułowane powyżej.

Disruptive Hong Kong Ltd, z własnej woli, dokona naprawy lub wymiany każdego produktu posiadającego cechy wady wykonania i/lub materiału objętego ważną gwarancją. Jeśli produkt przestał być produkowany, jest niedostępny w sprzedaży lub Disruptive Hong Kong Ltd po czasie dowiaduje się o roszczeniu gwarancyjnym, może z własnej woli, wymienić Twój produkt na podobny.

Odpowiedzialność Disruptive Hong Kong Ltd jest ograniczona do naprawy lub wymiany, uszkodzonego produktu posiadającego ważną gwarancję, jakiegokolwiek przypadkowe uszkodzenia są wyłączone z odpowiedzialności z tytułu rękojmi. Gwarancja nie podlega zbyciu i nie obejmuje użytkowników innych niż osoba, która dokonała zakupu produktu.

Żadne sformułowanie w instrukcji obsługi nie ogranicza lub wyłącza odpowiedzialności Disruptive Hong Kong Ltd za śmierć lub szkodę powstałą w wyniku zaniedbań, świadomego wprowadzania w błąd lub naruszenia postanowień zawartych w przepisach prawa polskiego.

Ta gwarancja odpowiada przepisom polskiego prawa chroniącym konsumenta. Gwarancja nie ma na celu ograniczania tych praw.

### Australijskie prawo konsumenckie

W Australii obowiązują przepisy z 2010 r. (nr 1) zmieniające ustawę o praktykach handlowych (australijskie prawo konsumenckie). Nasze towary objęte są gwarancjami, które nie mogą być wyłączone według australijskiego prawa konsumenckiego. Konsument ma prawo do wymiany produktu lub zwrotu pieniędzy w przypadku poważnej awarii lub wady oraz do odszkodowania za jakiegokolwiek inne praktycznie możliwe do przewidzenia straty lub szkody. Konsument ma także prawo do naprawy lub wymiany produktów, jeśli nie są one odpowiedniej jakości, a awaria lub wada nie może być uznana za poważną.

## Postępowanie w przypadku zwrotów / Serwis gwarancyjny

Postanowienia gwarancji są ważne, jeśli dowód zakupu zostanie dostarczony do Disruptive Hong Kong Ltd, jako potwierdzenie, że produkt został nabyty od autoryzowanego dealera Disruptive Hong Kong Ltd oraz roszczenie nastąpi w ciągu jednego roku od zakupu.

Aby zrealizować postanowienia gwarancji należy skontaktować się z Disruptive Hong Kong Ltd poprzez email: [support@gear4.com](mailto:support@gear4.com), wpisać imię, pełny adres pocztowy, kontaktowy numer telefonu, nazwę produktu oraz jego numer seryjny, datę i miejsce zakupu oraz szczegółowy opis awarii sprzętu.

Jeśli gwarancja obejmuje opisaną wadę, klient otrzyma numer autoryzacyjny i instrukcje zwrotu towaru. Koszty przesyłki uszkodzonego produktu do Disruptive Hong Kong Ltd pokrywa klient. Do produktu należy załączyć oryginał dowodu zakupu. Polecamy, by sporządzić i zachować kopię dowodu zakupu.

By uniknąć jakichkolwiek dodatkowych opłat, wszelkie zwroty i wymiany powinny zawierać oryginalne opakowanie, pudełko, wszystkie dołączone akcesoria takie jak, zasilacze lub przewody, kable, pilot zdalnego sterowania, adaptery, karty i instrukcje obsługi. Brak jakiegokolwiek z elementów dołączonych do sprzętu może oznaczać pobranie opłaty za jego wymianę. Disruptive Hong Kong Ltd nie będzie odpowiedzialny za jakiegokolwiek niedogodności, utratę czasu lub utratę użyteczności produktu.

Disruptive Hong Kong Ltd nie będzie odpowiadał za zagubienie lub zniszczenie produktu podczas wysyłki. Każdy produkt zwrócony bez oryginalnego dowodu zakupu zostanie odesłany bez sprawdzenia, na koszt klienta.



Пожалуйста, ознакомьтесь с инструкцией перед использованием устройства.

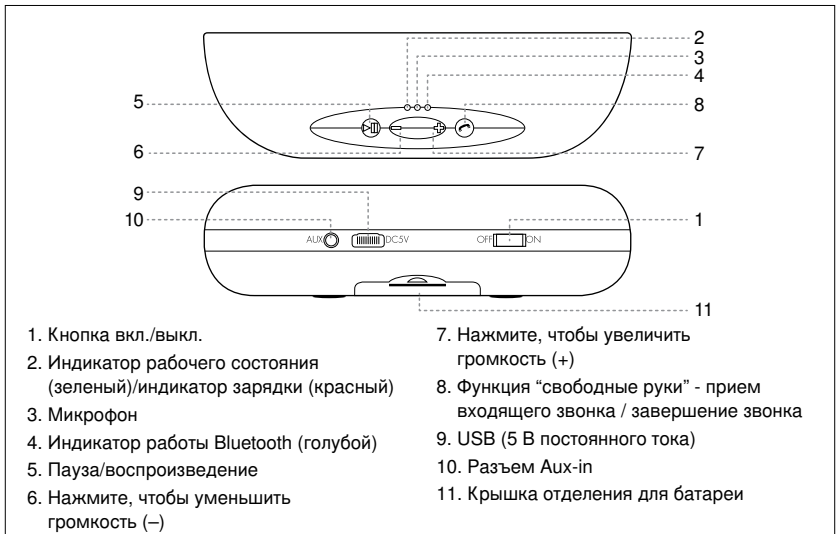
**STREET PARTY WIRELESS 2**



- Передача музыки с любого устройства с технологией Bluetooth\*
- Съёмная и перезаряжаемая литий-ионная батарея
- Функция громкоговорящей связи
- Ресурс батареи - до 5 часов\*\*
- Разъём Aux-in для подключения других музыкальных плееров
- Зарядка через Micro-USB
- Отделка мягкими материалами
- Стереозвучание
- Пассивный радиатор для усиления низких частот

\*Диапазон действия Bluetooth 3.0 (A2DP) - до 10 м на линии прямой видимости.  
\*\*Время работы батареи при воспроизведении на максимальной громкости

Зарегистрируйте Ваш динамик StreetParty Wireless 2, чтобы активировать гарантию и получать свежую информацию о продукции на [www.gear4.com/register](http://www.gear4.com/register)



## Инструкции по использованию

### Установка батареи.

- Откройте отделение для батареи и установите перезаряжаемую батарею в основании динамика, следуя указанной полярности (+/-). Указатели для правильной установки батареи находятся в основании отделения для батареи.

### Включение питания

- Переведите выключатель питания в положение "ON", светодиод голубого цвета начнет мигать. SPW2 автоматически перейдет в режим Bluetooth после включения питания. Если к SPW2 подключен кабель Aux (3.5 мм), голубой светодиод не загорится. Обратите внимание: когда SPW2 находится в режиме Aux-In, режим Bluetooth будет отключен.

### Выключение питания

- Переведите выключатель питания в положение "OFF", все светодиодные индикаторы выключатся.

### Режим Bluetooth

#### СИНХРОНИЗАЦИЯ

- При включении питания устройство автоматически перейдет в режим синхронизации. В меню настроек Вашего устройства найдите "GEAR4 SPW2". После настройки синхронизации, подключение будет происходить автоматически, если питание SPW2 включено, а устройство для передачи музыки находится в пределах заданного диапазона.

#### ВОСПРОИЗВЕДЕНИЕ МУЗЫКИ

- Для воспроизведения музыки нажмите
- Для регулировки громкости нажимайте "-" или "+".

### Входящие и исходящие звонки

- Когда SPW2 подключен и синхронизирован с Вашим устройством, Вы сможете через SPW2 совершать исходящие и принимать входящие звонки при помощи встроенного микрофона.
- Чтобы принять входящий звонок, нажмите
- Чтобы завершить звонок, нажмите
- Чтобы отказаться от входящего звонка, нажмите и удерживайте

### Режим Aux-In

- Вставьте в SPW2 кабель 3.5 мм (в комплекте). Другой конец кабеля вставьте в Ваше устройство.

### Зарядка

- Подключите USB-кабель к SPW2. Подключите USB-кабель к любому зарядному устройству USB. Если батарея полностью разряжена, на зарядку потребуется приблизительно 2.5 часа. В процессе зарядки будет гореть красный светодиод. По окончании зарядки загорится зеленый светодиод.

### Статус светодиодных индикаторов

- Режим синхронизации Bluetooth: зеленый светодиод и мигающий голубой
- Режим подключения Bluetooth: зеленый светодиод и постоянно горящий голубой
- Режим Aux: только зеленый светодиод
- Зарядка: красный светодиод

Авторское право © 2014 Disruptive Hong Kong Limited. Все права защищены. Воспроизведение частично или полностью запрещено. GEAR4 и StreetParty Wireless 2 являются торговыми марками Disruptive Hong Kong Limited. iPhone и iPod touch являются торговыми марками Apple Inc., зарегистрированными в США и других странах. iPad является торговой маркой Apple Inc. App Store является знаком обслуживания Apple Inc.

Написание и логотип Bluetooth® являются зарегистрированными торговыми марками Bluetooth SIG, Inc.

## ВНИМАНИЕ!

Во избежание риска возгорания или поражения электротоком не допускайте попадание дождя или влаги на оборудование.

Не допускайте попадания на устройство капель или брызг воды, а также не ставьте на него сосуды с водой, например вазы.

Применение батареи несоответствующего типа может привести к взрыву. Используйте батареи такого же или эквивалентного типа.

## ОСТОРОЖНО!

Используйте только настройки и регулировки, описанные в инструкциях, в ином случае это может привести к опасному излучению.

Храните батареи и аккумуляторные блоки в недоступном для солнца, огня и других источников теплоизлучения месте.

## РАСПАКОВКА И УСТАНОВКА

Аккуратно распакуйте устройство. Мы рекомендуем Вам сохранить упаковку, которую можно использовать для хранения устройства. Во избежание порчи устройства, никогда не кладите устройство или батареи возле нагревательных приборов, на солнце или возле воды.

## ДЛЯ ВАШЕЙ БЕЗОПАСНОСТИ

- Никогда не беритесь за штепсельную вилку мокрыми руками – это может привести к возгоранию или короткому замыканию.
- Обслуживание устройства должны производить только квалифицированные специалисты.
- Не вскрывайте корпус устройства.
- Отключайте устройство от электрической сети во время грозы, а также если устройство не используется длительное время.



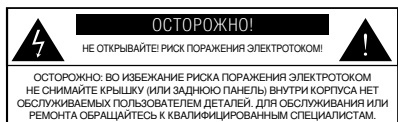
ВНИМАНИЕ!

Символ в виде молнии, заключенной в треугольнике, означает, что внутри корпуса устройства находятся неизолированные элементы под напряжением. В случае прикосновения может возникнуть риск поражения электротоком.



ВНИМАНИЕ!

Символ в виде восклицательного знака, заключенного в треугольнике, означает наличие важных инструкций по эксплуатации и обслуживанию – инструкции приведены в прилагающейся документации.



## УТИЛИЗАЦИЯ

Согласно требованиям Европейской Директивы об отходах электрического и электронного оборудования (2002/96/EC) и Директивы об использовании аккумуляторных батарей (2006/66/EC) все наименования электронной и электротехнической продукции, а также аккумуляторные батареи должны собираться отдельно местной системой утилизации. Не выбрасывайте эти наименования продукции с обычными бытовыми отходами. Соблюдайте местные нормы и правила по безопасной утилизации.

Не выбрасывайте батареи с обычными бытовыми отходами. Следуйте местным постановлениям, обеспечивая безопасную утилизацию батарей.



Символ корзины на колесиках показывает, что это устройство не должно утилизироваться с обычными домашними отходами в странах ЕС. Чтобы избежать вреда экологии или здоровью людей, обеспечьте надлежащую утилизацию, что позволит повторно использовать материалы, из которых изготовлено устройство. Для утилизации устройства, обратитесь в организацию по утилизации такого оборудования или к розничному продавцу, у которого было приобретено устройство. Они смогут обеспечить экологически чистую утилизацию устройства.

## GEAR4 предоставляет один год гарантии

Disruptive Hong Kong Limited, торговая марка GEAR4, гарантирует отсутствие в данном изделии дефектов изготовления и используемых материалов. При условии, что настоящая продукция используется в соответствии с прилагаемыми инструкциями, эта продукция будет лишена дефектов в течение одного (1) года с даты первоначального приобретения.

Любые повреждения или дефекты, вызванные несоблюдением инструкций, предусмотренных для данного изделия, или произошедшие в результате несчастного случая, злоупотребления, неправильного использования, модификации продукции, неисправности вспомогательного оборудования, несоответствующего напряжения или тока, удара молнии или другого форс-мажорного обстоятельства, использования в коммерческих целях, нормального износа, повреждения при транспортировке или ущерба, нанесенного цифровым плеерам, или ущерба, возникшего в результате действий стороны, отличной от Disruptive Hong Kong Limited, не подлежат гарантийному обслуживанию, указанному выше.

Disruptive Hong Kong Limited по своему усмотрению произведет ремонт или замену изделия, если будут обнаружены дефекты сборки или комплектующих согласно условиям настоящей гарантии. Если изделие более не производится, и таких изделий нет на складе на момент уведомления Disruptive Hong Kong Limited о гарантийном случае, Disruptive Hong Kong Limited может по своему усмотрению заменить это изделие аналогичным.

Ответственность Disruptive Hong Kong Limited ограничивается ремонтом или заменой любого неисправного изделия по гарантии, и любые случайные или косвенные убытки исключены в максимальной степени, разрешенной законом. Данная гарантия не передается и не распространяется на пользователей отличных от лица, которое изначально приобрело это изделие.

Ничто в настоящем руководстве не должно ограничивать или исключать ответственность Disruptive Hong Kong Limited в отношении смерти или травм, произошедших в результате небрежности, мошенничества или намеренного введения в заблуждение или нарушения условий, предусмотренных в Разделе 12 Закона о Продаже Товаров 1979 года, со стороны Disruptive Hong Kong Limited.

Настоящая гарантия предоставляет Вам определенные юридические права в дополнение к тем, которые предоставлены Вам согласно законам Вашей страны. Эта гарантия не может использоваться с целью ограничения таких прав.

### Закон о защите потребителей в Австралии

В Австралии применимо действие поправки к Постановлениям о торговой практике от 2010 года (в первой редакции) (Закон о защите потребителей в Австралии). Наши товары поставляются с гарантиями, которые не могут быть исключены согласно Закону о защите потребителей в Австралии. Вы имеете право на замену или возмещение средств в случае серьезной неисправности, а также на компенсацию за любой другой разумно

предсказуемый ущерб или убыток. Вы также имеете право на ремонт или замену товаров, если товары не соответствуют заявленному уровню качества, и такой недостаток не является серьезной неисправностью.

## Политика возврата продукции / гарантийное обслуживание

Гарантийные рекламации действительны лишь в том случае, если компании Disruptive Hong Kong Limited предоставлен документ, доказывающий факт покупки изделия у официального дилера Disruptive Hong Kong Limited, и гарантийная рекламация предоставлена в течение одного (1) года с даты покупки.

Для подачи гарантийной рекламации Вам необходимо направить запрос в Disruptive Hong Kong Limited по электронной почте на адрес [support@gear4.com](mailto:support@gear4.com) или направьте запрос по адресу: Disruptive Hong Kong Ltd, Rm 2002, 20/F King Palace Plaza, 52A Sha Tsui Road, Tsuen Wan, Hong Kong. Укажите Ваше имя, фамилию, полный почтовый адрес, номер контактного телефона, название продукции и ее серийный номер, дату и место покупки, а также подробное описание проблемы или неисправности.

Если дефект покрывается гарантией, Вам будет предоставлен номер разрешения и инструкции для возврата изделия. В тех случаях, когда это возможно, поврежденное изделие или изделие с дефектами должно быть отправлено в адрес Disruptive Hong Kong Limited. Возвращаемое изделие **ДОЛЖНО** сопровождаться документом, подтверждающим покупку такого изделия. Мы настоятельно рекомендуем Вам сохранить копию этого документа о покупке.

Чтобы избежать каких-либо дополнительных расходов, все возвращаемые или обмениваемые изделия должны направляться в оригинальной упаковке, со всеми аксессуарами, которые могут включать, не ограничиваясь указанным, адаптеры питания или кабели питания, соединительные кабели, пульты дистанционного управления, адаптеры, переходники, карты и руководства пользователя. В случае отсутствия какого-либо из указанных наименований это может повлечь дополнительные для Вас расходы. Disruptive Hong Kong Limited не несет ответственности за любые косвенные убытки или сопутствующий ущерб.

Disruptive Hong Kong Limited не несет ответственности за потерю или повреждение продукции в процессе доставки. Любое изделие, возвращенное без оригинального документа, подтверждающего факт покупки, будет возвращено без осмотра или проверок, и возврат такого изделия должен быть оплачен за счет клиента.





Kullanmadan önce lütfen okuyunuz.

STREET  
PARTY  
WIRELESS 2



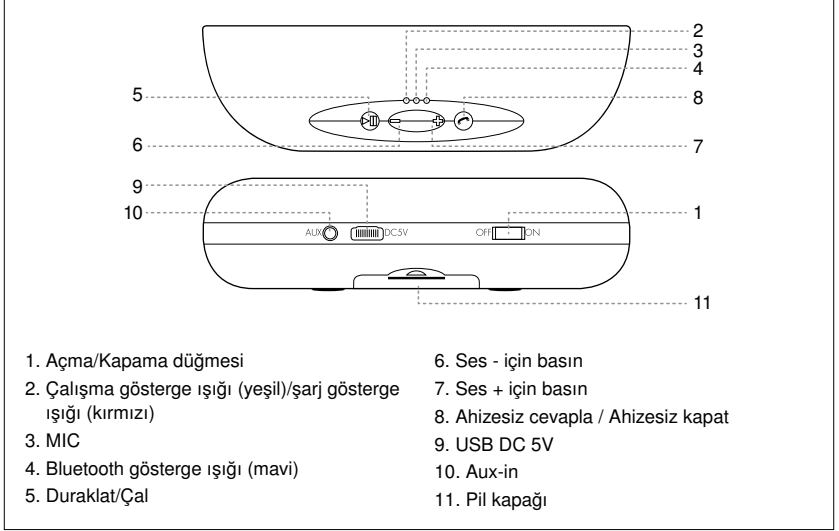
- Herhangi bir Bluetooth cihazdan müzik akışı\*
- Çıkarılabilir ve şarj edilebilir lityum iyon pil
- Ahizesiz telefon
- 5 saate kadar pil ömrü\*\*
- Diğer müzik çalarlarla kullanım için Aux-in bağlantı noktası

- Mikro USB şarj
- Yumuşak dokunuşlu finiş
- Stereo ses
- Gelişmiş bas için pasif radyatör

\*Bluetooth 3.0 (A2DP) görüş çizgisine bağlı olarak 10 m'ye kadar menzil

\*\*Maksimum ses düzeyinde pil ömrü

Garantinizi etkinleştirmek ve ürün güncelleştirmelerini edinmek için StreetParty Wireless 2 cihazınızı [www.gear4.com/register](http://www.gear4.com/register) adresinden kaydediriniz.



## Kullanım Talimatları

### Pili takma

- Pil bölmesini açın ve kutup işaretlerine (+/-) dikkat ederek hoparlörün tabanına şarj edilebilir bir pil yerleştirin. Kutup işaretleri pil bölmesinin tabanında işaretlenmiştir.

### Açma

- Açma/Kapama anahtarını "AÇIK" konuma kaydırın, Mavi LED yanıp sönmeye başlayacaktır. SPW2 açıldığında otomatik olarak Bluetooth moduna girer. SPW2'ye bir Aux (3,5 mm) kablosu takılıysa Mavi Led yanmayacaktır. Unutmayın: SPW2 Aux-In modundayken Bluetooth devre dışı olacaktır.

### Kapatma

- Açma/Kapatma anahtarını "KAPALI" konuma kaydırın. Tüm LED durum ışıkları sönecektir.

### Bluetooth Modu

#### EŞLEŞTİRME

- Ünite açıldığında otomatik olarak "Eşleştirme Moduna" girecektir. Cihazınızın ayarlar menüsüne gidin ve "GEAR4 SPW2"yi arayın. Ünite eşleştirirken sonra SPW2 açıldığında ve cihaz menzil dahilinde olduğunda otomatik olarak bağlanacaktır.

#### MÜZİK ÇALMA

- Müzik çalmaya başlamak için tuşuna basın.
- Ses denetimi için "-" veya "+" tuşuna basın.

### TELEFON ÇAĞRISI YAPMA VE YANITLAMA

- SPW2 cihazına bağlı ve eşleştirilmiş olduğunda SPW2'nin dahili mikrofonu ile telefon çağrısı yapabilir veya yanıtlayabilirsiniz.
- Bir çağrıyı cevaplamak için tuşuna basın.
- Telefonu kapatmak için tuşuna basın.
- Bir çağrıyı reddetmek için tuşuna basın ve basılı tutun.

### Aux-In Modu

- Birlikte gelen 3,5 mm kabloyu SPW2'ye takın. Kablonun diğer ucunu cihazınıza takın.

### Şarj Etme

- USB kablosunu SPW2'ye takın ve herhangi bir USB şarj cihazına bağlayın. Cihazın şarjı tamamen bitmişse tamamen şarj edilmesi yaklaşık 2.5 saat sürecektir. Şarj sırasında Kırmızı LED yanacak ve şarj tamamlandığında Yeşil renge dönüşecektir.

### LED Durumu

- Bluetooth eşleştirme Modu: Yeşil LED ve yanıp sönen Mavi LED
- Bluetooth bağlı Modu: Yeşil LED ve sabit Mavi LED
- Aux Modu: Yalnızca Yeşil LED
- Şarj oluyor: Kırmızı LED

Telif Hakkı © 2014 Disruptive Hong Kong Limited. Tüm hakları saklıdır. Kısmen veya tamamen çoğaltılması yasaktır. GEAR4 ve StreetParty Wireless 2 Disruptive Hong Kong Limited'in ticari markalarıdır. iPhone ve iPod Apple Inc.'in ABD ve diğer ülkelerde tescilli ticari markalarıdır iPad Apple Inc.'in ticari markasıdır. App Store Apple Inc.'in hizmet markasıdır.

Bluetooth® adı ve logoları Bluetooth SIG, Inc.'in tescilli ticari markalarıdır.

## UYARI

Yangın veya elektrik çarpması riskini azaltmak için bu ürünü yağmur veya neme maruz bırakmayın.

Damlama veya sıvı dökülmesine maruz bırakmayın ve vazolar gibi sıvı dolu ürünlerin cihazın üzerine yerleştirilmediğinden emin olun.

Pil yanlış takılırsa patlama riski vardır. Yalnızca aynı türde veya eşdeğer pille değiştirin.

## DIKKAT

Belirtilenlerin dışında kumanda veya performans ayarlamaları ya da prosedürlerin kullanılması tehlikeli radyasyona neden olabilir.

Piller (pil paketi veya takılı piller) güneş, ateş ve benzeri gibi aşırı ısıya maruz bırakılmamalıdır.

## AMBALAJINDAN ÇIKARMA VE MONTAJ

Cihazı ambalajından dikkatle çıkarın. Ambalaj malzemelerini ürünü depolamanız gerekmesi durumu için saklamanızı öneririz. Olabilecek hasarı önlemek için cihazı veya pillerini radyatörler, ısıtma ızgaraları, doğrudan güneş ışığı veya su yakınına yerleştirmeyin.

## GÜVENLİĞİNİZ İÇİN

- Yangın veya elektrik çarpmasına neden olabileceğinden elleriniz ıslakken asla fişe dokunmayın.
- Servis işlemleri yalnızca vasıflı personel tarafından yapılmalıdır.
- Kasayı açmayın.
- Fırtına sırasında veya uzun süre kullanılmayacağına ürünü fişten çekin.



UYARI

Eşkenar üçgen içerisindeki ok başı simgeli yıldırım simgesi kullanıcıyı ürünün kasası içerisinde bulunan ve insanlar için elektrik çarpması riski oluşturabilecek büyüklükte olabilecek izole edilmemiş 'Tehlikeli Voltaja' karşı uyarır.



UYARI

Eşkenar üçgen içerisindeki ünlem işareti kullanıcıyı, cihazla birlikte gelen belgelerde önemli kullanım ve bakım (servis) talimatları olduğu konusunda bilgilendirir.

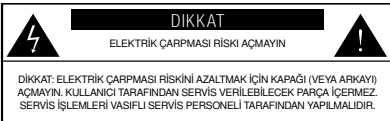
## ATMA

Avrupa WEEE Direktifi (2002/96/AT) ve Pil Direktifi (2006/66/AT) yarınca tüm elektrikli ve elektronik cihazlar ve piller yerel bir toplama sistemi tarafından ayrı olarak toplanmalıdır. Bu öğeleri ev atıklarınızla birlikte atmayın. Güvenli atma talimatları için yerel mevzuata uyun.

Pilleri normal ev atıklarınızla atmayın. Güvenli atma için yerel mevzuata uyun.



Tekerlekli çöp kutusu işareti bu ürünün AB çapında diğer ev atıklarıyla birlikte atılmaması gerektiğini gösterir. Kontrolsüz atıklardan dolayı çevreye veya insan sağlığına zarar gelmesini önlemek ve malzeme kaynaklarının sürdürülebilir yeniden kullanımına katkıda bulunmak için ürünü sorumlu bir şekilde geri dönüştürün. Kullanılmış cihazı iade etmek için lütfen iade ve toplama sistemlerini kullanın veya ürünü satın aldığınız bayiye başvurun. Bu ürünü çevre bakımından güvenli geri dönüştürme için geri alabilirler.



DIKKAT

ELEKTRİK ÇARPMASI RİSKİ AÇMAYIN



DIKKAT: ELEKTRİK ÇARPMASI RİSKİNİ AZALTMAK İÇİN KAPAĞI (VEYA ARKAYI) AÇMAYIN. KULLANICI TARAFINDAN SERVİS VERİLEBİLECEK PARÇA İÇERMEZ. SERVİS İŞLEMLERİ VASIFLI SERVİS PERSONELİ TARAFINDAN YAPILMALIDIR.

## GEAR4 Bir Yıllık Garantisi

GEAR4 adı altında ticari faaliyette bulunan Disruptive Hong Kong Ltd bu ürünün satış noktasında işçilik ve malzeme kusurları içermeyeceğini garanti eder. Bu ürünün kullanım talimatlarına uygun olarak kullanılmasına tabi olarak, ürün orijinal satın alma tarihinden itibaren bir (1) yıl boyunca kusur içermeyecektir.

Bu ürünle ilgili talimatlara uyulmaması veya kaza, kötü ya da yanlış kullanım, hatalı uygulama, üründe değişiklik yapılması, uygun olmayan gerilim ya da akım, yıldırım veya diğer mücbir sebepler, ticari mesken harici kullanım, olağan yıpranma, nakliyat hasarı veya kayıp, dijital medya çaralarında olabilecek hasar ya da Disruptive Hong Kong Ltd dışında herhangi birinin eylemlerinden kaynaklanan hasarlar açıkça yukarıda belirtilen garantinin dışında bırakılmıştır.

Disruptive Hong Kong Ltd, bu garanti kapsamına giren ve işçilik veya malzeme ya da her ikisi bakımından da kusurlu olduğu görülen ürünleri kendi tercihine bağlı olarak tamir edecek veya değiştirecektir. Disruptive Hong Kong Ltd'in garanti talebinden haberdar olduğu zamanda vey sonrasında ürün üretimden kalkmışsa veya stokta yoksa Disruptive Hong Kong Ltd tamamen kendi tercihine bağlı olarak ürününüzü benzer bir ürünle değiştirebilir.

Disruptive Hong Kong Ltd'in yükümlülüğü garanti kapsamında bulunan herhangi bir kusurlu ürünü onarmak veya değiştirmekle sınırlıdır ve arızı ya da sonuçsal hasarlar kanunların izin verdiği en kapsamlı ölçüde açıkça bu garanti kapsamının dışında bırakılmıştır. Bu garanti devredilemez ve ürünü satın alan kişinin dışındaki kişiler için geçerli değildir.

Bu kılavuzdaki hiçbir şey Disruptive Hong Kong Ltd'in ihmali nedeniyle kaynaklanabilecek ölüm veya yaralanmayı, hile ya da hileli yanlış temsili veya 1979 tarihli Malların Satışı Kanununun 12. Bölümünde zımnen belirtilen hükümlerin ihlali durumunda Disruptive Hong Kong Ltd'in yükümlülüğünü kısıtlamayacak veya hariç bırakmayacaktır.

Bu garanti size ülkenizdeki kanunlarla sağlananlara ek olarak özel yasal haklar sağlar. Bu garanti bu yasal hakları sınırlamayıcı amaçlamaz.

### Avustralya Tüketici Kanunu

Avustralya'da Ticari Uygulamalar (Avustralya Tüketici Kanunu) Değişiklik Mevzuatı 2010 (No. 1) uygulanır. Ürünlerimiz Avustralya Tüketici Kanunu kapsamında hariç bırakılmayan garantilere sahiptir. Önemli bir arıza durumunda değiştirme veya paranızın iadesi ve olabilecek diğer makul şekilde öngörülebilir kayıp veya hasar için tazminat hakkına sahipsiniz. Ayrıca, arızanın önemli bir arıza olmadığı durumda, ürünlerin kabul edilemez kalitede olması halinde ürünlerin onarımı veya değiştirilmesi hakkına sahipsiniz.

## İade Politikası / Garanti Servisi

Garanti talepleri yalnızca Disruptive Hong Kong Ltd'e ürünün yetkili bir Disruptive Hong Kong Ltd bayisinden satın alındığını ve talebin satın alma tarihinden itibaren bir (1) yıl içinde gerçekleştiğini gösteren geçerli bir satış belgesi sağlandığında geçerlidir.

Bir garanti talebinde bulunmak için önce Disruptive Hong Kong Ltd ile [support@gear4.com](mailto:support@gear4.com) adresinden e-posta yoluyla iletişime geçerek adınızı, açık adresinizi, irtibat telefon numaranızı, ürünün adı ve seri numarasını, satın alma tarihi ve yerini ve yaşadığının sorunla ilgili ayrıntılı bir açıklamayı göndermelisiniz.

Kusur bu garanti kapsamına giriyorsa size bir yetki numarası ve iade sevkiyatı için talimatlar gönderilecektir. Mümkün olduğu durumlarda hasarlı veya kusurlu ürünü Disruptive Hong Kong Ltd'e satış belgesiyle birlikte göndermelisiniz. Bu satış belgesinin bir kopyasını kendi kayıtlarınız için saklamanızı şiddetle tavsiye ederiz.

İlave masrafları önlemek için tüm iadeler ve değişimler orijinal ambalaj malzemelerini, ürün kutusunu, güç adaptörleri, güç kabloları, bağlantı kabloları, uzaktan kumandalar, adaptörler, broşürler, kartlar ve kullanım kılavuzları dahil ama bunlarla sınırlı olmamak üzere sağlanan tüm aksesuarları da içermelidir. Yukarıda belirtilen öğelerin olmaması bunların yerine konması için bir ücret ödemeyi gerekeceği anlamına gelebilir. Disruptive Hong Kong Ltd dolaylı veya doğrudan sonuçsal zararlardan dolayı yükümlülük kabul etmez.

Disruptive Hong Kong Ltd sevkiyat sırasında kaybolan veya hasar gören ürünlerden sorumlu değildir. Orijinal satış belgesi olmadan gönderilen ürünler iade masrafları müşteriye ait olmak üzere, incelenmeden veya testi edilmeden geri gönderilecektir.



请在使用前阅读

STREET PARTY WIRELESS 2



播放来自任何蓝牙设备的音乐\*

可拆卸可充电锂离子电池

免提通话

最长 5 小时电池播放时间\*\*

辅助输入端口可用于其他音乐播放器

Micro-USB 充电

柔软触感表面

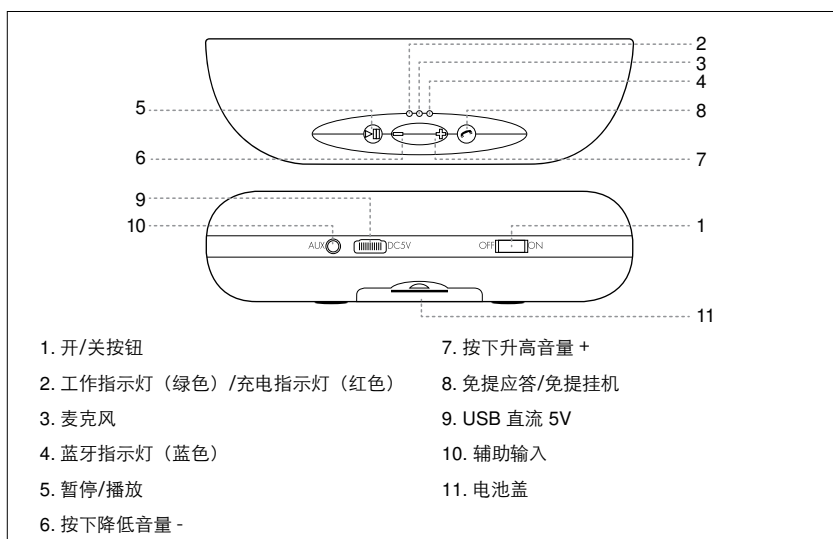
立体声音效

被动辐射器提升低音效果

\*蓝牙 3.0 (A2DP) 范围最远 10 米，取决于是否有遮挡。

\*\*最大容量时的电池播放时间

注册您的StreetParty Wireless 2音箱可以激活保修，并通过www.gear4.com / register收到产品更新内容。



## 使用说明

### 安装电池。

打开电池仓，将一枚可充电电池放入音箱底座，注意对准极性标记 (+/-)。安装说明见电池仓底座上的标识。

### 开机

将电源开关滑动到“ON”位置，蓝色指示灯将开始闪烁。开启后SPW2将自动进入蓝牙模式。如果将辅助（3.5 mm）输入线连接到 SPW2，蓝色指示灯将不会点亮。请注意：SPW2 处于辅助输入模式时，蓝牙模式将断开。

### 关机


将电源开关滑动到“OFF”位置，所有状态指示灯将熄灭。

### 蓝牙模式

### 配对

开机后音箱将自动进入“配对模式”。进入您的设备设置并查找“GEAR4 SPW2”。音箱配对后，当SPW2处于开机状态且设备位于接收范围之内时将自动连接。


### 播放音乐


按下“”开始播放音乐。


按下“-”或“+”控制音量。

### 拨打和接听电话

SPW2与您设备连接并配对后，您可通过SPW2的内置麦克风拨打或接听电话。

按下“”接听电话。

如需挂机，按下“”

如需拒绝来电，按住“”

### 辅助输入模式

将随机提供的 3.5 mm 电缆插入SPW2。将另一端连接到您的设备。

### 充电

将 USB 电缆连接到SPW2，然后将其插入任何 USB 充电器。音箱完全无电情况下，充满需要约 2.5 小时。充电期间红色指示灯亮起，充电完成后指示灯变为绿色。

### 指示灯状态

蓝牙配对模式：绿色指示灯和闪烁蓝色指示灯

蓝牙已连接模式：绿色指示灯和稳定蓝色指示灯

辅助输入模式：仅绿色指示灯

版权所有 © 2014 Disruptive Hong Kong Limited. 保留所有权利。禁止部分或完全复制本手册。GEAR4 和 StreetParty Wireless 2 是 Disruptive Hong Kong Limited 的商标。iPhone 和 iPod touch 是 Apple Inc. 在美国和其他国家注册的商标。iPad 是 Apple Inc. 的商标。App Store 是 Apple Inc. 的服务标志。

Bluetooth® 文字和标志是 Bluetooth SIG, Inc. 的注册商标。

## 警告

为降低起火或电击风险，不要将设备暴露在雨中或潮湿环境下。

禁止将设备暴露在滴水或溅水的环境中，也不能将花瓶等装有液体的容器放置在设备上。

电池更换不当有爆炸的危险。更换时仅可使用相同或同等型号。

## 小心

执行未在这里指定的性能控制部件或调节部件以及操作步骤可能会导致您暴露在危险的辐射下。

电池(安装的电池组或电池)不能暴露于过热环境下，例如阳光、火焰等。

## 拆开包装和安装步骤

小心地拆开设备包装。我们推荐保留包装材料，以备需要存储设备时使用。为避免损坏，不要将设备或其使用的电池放置在散热器附近，也不要将其放置在加热器出风口前面，阳光直射位置或附近有水的位置。

## 为了您的安全

切勿用湿手操作插头，这样会导致起火或电击。

只能让有资格的人员进行维修。

不要打开设备外壳。

在雷电天气下或在长时间不使用情况下，应拔下设备的电源插头。

## 处置

根据 WEEE 欧盟指令 (2002/96/EC) 和电池指令 (2006/66/EC)，所有电子和电气产品以及电池必须通过所在地的回收系统单独回收。请勿将这些物品与常规生活垃圾一起丢弃。遵照当地法规进行安全处理。

切勿随普通家庭垃圾一起处理电池。请遵守当地关于安全处置的规定。



轮式垃圾桶标志表明，在整个欧盟此产品都不应该与其他居民生活垃圾一起丢弃。为了避免非受控的废物处理对环境或人体健康可能造成的损害，要负责任地回收废物以促进物质资源的可持续再利用。为了回收您用过的设备，请使用回收和收集系统或联系最初购买产品的零售商。他们可以对此产品进行有利于环境安全的回收利用。



等边三角形中带箭头的闪电标志用于提示用户产品外壳内存在未绝缘的“危险电压”，此电压足以导致使用人员受到电击。



等边三角形中的惊叹号用于提示用户电气设备附带的说明书中具有重要的操作和维护内容。

	<b>小心</b>	
电击风险，不要打开		
小心：为降低电击风险，不要取下盖板或背板。内部没有用户可以维修的部件。只能让有资格的人员进行维修。		

## GEAR4 一年质量保证

Disruptive Hong Kong Limited (使用 GEAR4 商标开展业务) 保证本产品在销售时不存在工艺和材料的缺陷。在符合使用说明使用本产品的前提下，本产品自最初购买之日起一 (1) 年内不应出现质量问题。

以上保证明确不包括因未遵守本产品相关说明或因事故、滥用、误用、错用、更改产品、故障附属设备、电压或电流不当、雷击或其他自然灾害造成的损坏或缺陷、非家庭商业使用、正常磨损、运输损坏或损失、数字播放器损坏或其他非 Disruptive Hong Kong Limited 行为造成的损坏。Disruptive Hong Kong Limited 将自主决定维修或更换实存在工艺或材料缺陷且属于质量保证范围的产品。如果在 Disruptive Hong Kong Limited 收到质量保证主张之时或之后产品不再生产或已无存货，Disruptive Hong Kong Limited 可自主决定使用类似产品更换您的产品。Disruptive Hong Kong Limited 的责任仅限于按照质量保证维修或更换任何缺陷产品，在法律允许的最大范围内明确地不对任何附带或后果性赔偿承担责任。本保证不可转让，不适用于除本产品最初购买人之外的其他使用者。本手册中的任何内容均不应排除或限制 Disruptive Hong Kong Limited 对其过失所造成死亡或人身伤害、对欺诈或欺诈性错误陈述或违反《1979 年货物销售法》第 12 条所隐含条款的责任。在享受您所在国家法律规定的法律权利的同时，您还可享受本保证赋予您的具体法律权利。本保证不在于试图限制此等法律权利。

澳大利亚消费者保护法  
在澳大利亚适用《2010 年 (第 1 号) 贸易规范 (澳大利亚消费者保护法) 修订条例》。依照《澳大利亚消费者保护法》，我们的货物必须提供保证。对于重大故障，您有权选择更换或退款，并获得对任何其他合理可预见损失或损害的赔偿。如果货物未达到合格质量且不属于不可抗力的情况，您有权选择货物维修或更换。

退货政策/质量保证服务  
仅在向 Disruptive Hong Kong Limited 提供本产品在购买证明且在购买之后一 (1) 年内提出质量保证主张的情况下，质量保证主张方才有效。提出质量保证主张时，必须首先发送电子邮件至：  
[support@gear4.com](mailto:support@gear4.com)，或写信至：Disruptive Hong Kong Ltd, Rm 2002, 20/F King Palace Plaza, 52A Sha Tsui Road, Tsuen Wan, Hong Kong 与 Disruptive Hong Kong Limited 联系，注明您的姓名、完整邮政地址、联系电话号码、产品名称和序列号、购买日期和地点以及所遇到问题的详细描述。如果缺陷属于本质量保证的范围，则您将收到授权号和退货运输说明。如可能，您必须将受损或缺陷产品发送至 Disruptive Hong Kong Limited。必须随退回的产品提供原始购买证明。强烈建议您保留此购买证明的复印件作为参考。

为避免任何额外费用，所有退货和换货必须包括原始包装材料、产品盒、所有随机附件，包括但不限于电源适配器或电源线、连接线、遥控器、适配器、内页、卡片和说明书。缺少任何上述物品可能意味着由您承担更换他们的费用。Disruptive Hong Kong Limited 不对任何间接或直接后果性损失负责。Disruptive Hong Kong Limited 不对运输期间产品的损失或损坏负责。任何退货的产品如无原始购买证明将被退回，不再进行检查或测试，此等退回的费用由客户承担。



gear4

gear4.com