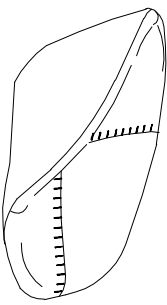
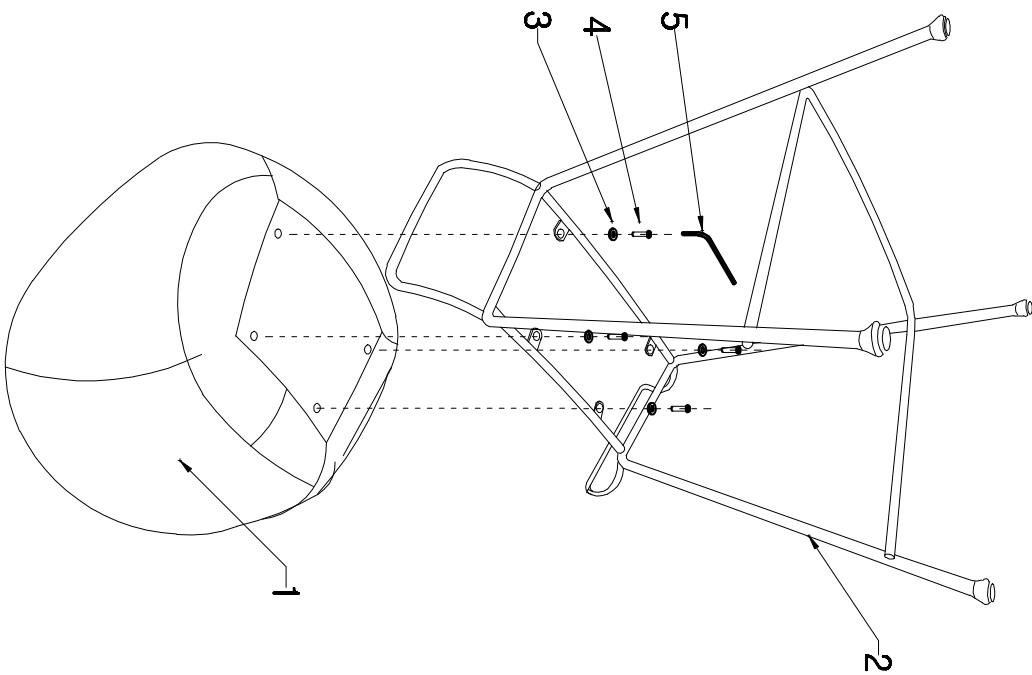
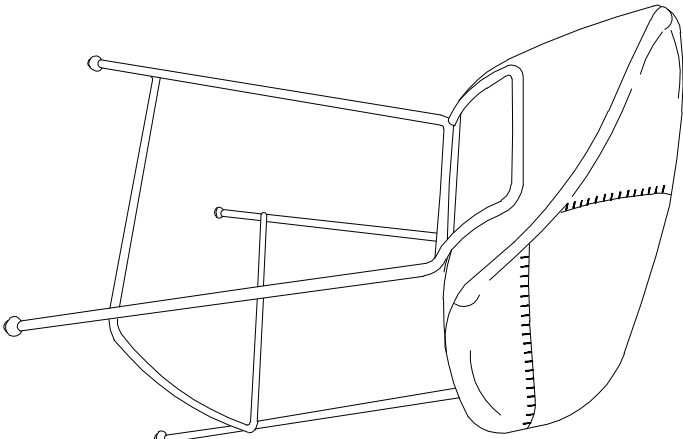
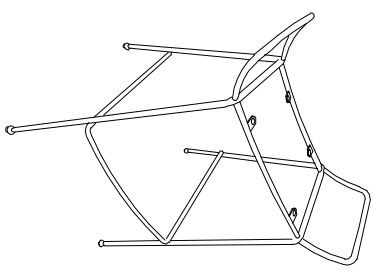

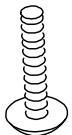
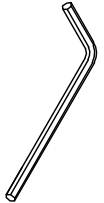


COUNTER STOOL FESTON Assembly Instruction

Accessories

<p>1</p>  <p>1PC</p>	 
<p>2</p>  <p>1PC</p>	
<p>3</p>  <p>4PCS</p>	
<p>4</p>  <p>4PCS M6*15</p>	
<p>5</p>  <p>1PC</p>	