

be quiet![®]



STRAIGHT POWER 11

W O R L D C L A S S Q U I E T A N D E F F I C I E N C Y

Platinum

USER MANUAL

1200W
1000W
850W
750W
650W
550W

ENGLISH »

Introduction.....	5
Safety instructions	5
Compatibility.....	5
Installing your new power supply.....	5
Safety functions	6
Troubleshooting.....	6
Frequent problems.....	7
Accessories.....	7
Notes on disposal.....	7
Warranty*.....	8
Manufacturer's details	8
Copyright.....	8
Technical data	32

DEUTSCH »

Einleitung.....	9
Sicherheitshinweise	9
Kompatibilität.....	9
Installation Ihres neuen Netzteils	10
Sicherheitsfunktionen	10
Fehlerbehebung	11
Häufige probleme.....	11
Zubehör	11
Entsorgungshinweise	12
Garantie*.....	12
Herstellerangaben.....	12
Copyright.....	12
Technische Daten.....	32

FRANÇAIS »

Introduction.....	14
Consignes de sécurité.....	14
Compatibilité.....	14
Installation de votre nouveau bloc d'alimentation	14
Systèmes de sécurité.....	15
Dépannage	16
Problemes les plus fréquents.....	16
Accessoires.....	16
Consignes d'élimination et de recyclage.....	17
Garantie*.....	17
Informations constructeur	17
Droits d'auteur	17
Données techniques.....	32

POLSKI »

Wprowadzenie	19
Wskazówki dotyczące bezpieczeństwa.....	19
Kompatybilność.....	19
Instalacja nowego zasilacza	19

Funkcje bezpieczeństwa	20
Usuwanie usterek	21
Częste problemy.....	21
Akcesoria.....	21
Wskazówki dotyczące recyklingu	22
Gwarancja*	22
Dane Producenta.....	22
Prawa Autorskie	22
Dane techniczne.....	32

ESPAÑOL »

Introducción	23
Indicaciones de seguridad	23
Compatibilidad	23
Instalación de su nuevo bloque de alimentación	23
Funciones de fusible	24
Solución de errores	25
Problemas frecuentes	25
Accesorios.....	25
Indicaciones para la eliminación.....	25
Garantía*	26
Datos del fabricante	26
Copyright.....	26
Datos técnico	32

РУССКИЙ »

Введение	27
Инструкция по безопасности	27
Совместимость.....	27
Установка нового блока питания	27
Функции безопасности	28
Поиск неисправностей	28
Частые проблемы	29
Аксессуары	29
Замечания по утилизации.....	29
Гарантия*	29
Подробности о производителе	30
Авторские права.....	30
Технические характеристики.....	32

*LIMITED WARRANTY	31
-------------------------	----

TECHNICAL DATA »

Label.....	32
Voltage regulation	33
Operating conditions	33
Minimal load	33
Rail Splittings	33
Dimensions.....	34
Connectivity and cable lengths.....	35

1. INTRODUCTION

We are delighted that you have chosen to use a be quiet! power supply from our Straight Power 11 Platinum series in your PC. Please read and follow all the information contained in these instructions carefully prior to installation. Should you have any further question, please contact our customer service. See contact information in item Manufacturer's details.

2. SAFETY INSTRUCTIONS

The power supply is only guaranteed to function properly if the instructions are followed.

Caution: Only use the supplied cable set. Using cables that were not included (e.g. cables of older power supply unit series) may lead to defects!



Never open the power supply case. The electronic components inside the case generate a high voltage that is dangerous to humans. Even after disconnecting the power supply from the network, some parts still have high voltages. For this reason, a power supply adapter should only be opened by an authorised technician.

Opening the device voids your warranty.

- Never handle the power supply with wet or damp hands when in operation.
- Never insert objects into the power supply's apertures/fans.
- Note that the power supply is designed for use indoors in conditions without high levels of moisture in the ambient air. Using the power supply outdoors will lead to serious damage.
- Never work on the power supply while it is connected to the mains. In this case, always set the power switch to "0" and / or disconnect the power plug.
- In the event of a short circuit in the device, unplug the mains cable and do not use the device.

Make sure that your PC is not located directly next to a heating system or any other source of heat.

Make sure that your computer case is sufficiently ventilated by means of additional fans; with today's complex and powerful systems a power supply is incapable of dissipating the heat produced in the PC case without additional support.

If you want to clean your power supply, disconnect it completely from the mains and never use a damp cloth or cleaning agent. Clean the power supply from the outside using a dry cloth.

Before using the power supply, allow it to warm up to room temperature for one hour to prevent condensation accumulating in the power supply.

3. COMPATIBILITY

The be quiet! Straight Power 11 Platinum series power supplies are compatible with all recent popular power supply and motherboard specifications such as:

- Intel ATX12V Version 2.51 (and downwardly compatible to V2.4, V2.31, V2.3, V2.2, V2.01, V2.0)
- ATX System Design Guide Version 2.2 and Version 2.1
- BTX Version 1.0a
- E-ATX Server Dual Motherboards via 8-Pin Connector
- EPS12V Version 2.92 (650-1200W)
- Intel C6/C7 Status for the new processor generation
- Energy Star 6.1 guidelines
- ErP ready

4. INSTALLING YOUR NEW POWER SUPPLY

Please read „Safety instructions“ before you begin the installation.

Note: You will need a screwdriver to fit the power supply in your PC. Only use the screws provided with the power supply because they have the correct thread.

Caution: Only use the supplied cable set. Using cables that were not included (e.g. cables of older power supply unit series) may lead to defects!

First remove your old power supply. To do so, proceed as follows:

- Carefully disconnect your PC from any power sources and unplug all cables connected to the PC.
- Open the PC case, taking care to follow the manufacturer's instructions.
- Disconnect all plugs from the motherboard and all other components, such as FDDs, HDDs, or optical drives. Make sure that there are no plugs from the old power supply connected to any of the components.
- Now remove the screws at the rear of the power supply and carefully pull the power supply out of the PC case. Take special care that no cables get caught in the components and damage them.

Fitting your new be quiet! Straight Power 11 Platinum power supply:

- Place the new power supply in the space provided in the PC case and connect to the rear panel using the four screws provided. Do not use excessive force.
- Plug the 20/24 pin connector into the socket provided on the motherboard. If you have a 24 pin connection, place the remaining 4 pins in the correct position before you plug the connector into the socket. If you have a motherboard with a 20 pin connector, fold the additional 4 pins to one side.
- Now plug the 12V-P4 or P8 connector for the CPU into the socket provided on the motherboard.

5. SAFETY FUNCTIONS

All be quiet! power supplies have numerous safety functions. They are designed to protect the power supply and the components connected to it against damage. If one of these safeguards is triggered, the system will reboot or power off in most cases. If this happens, you should immediately check the PC for errors.

For more info on troubleshooting see the "Troubleshooting" chapter.

The be quiet! Straight Power 11 Platinum series has the following safety functions:

OCP (Over current protection)

If the load on the individual circuits exceeds the specified limit, the power supply is automatically switched off.

UVP (Undervoltage protection)

This safeguard is triggered if the voltage on the circuits drops below a certain limit. The power supply is automatically switched off in this case.

OVP (Overvoltage protection)

The overvoltage safeguard is triggered if the voltage in the circuits is too high; the power supply is deactivated.

SCP (Short circuit safeguard)

The fuse protecting the power supply's secondary circuits prevents physical defects of the power supply and the components connected to it.

OTP (Temperature safeguard)

In the case of excessive heat build-up in the power supply, the power supply immediately and automatically switches off. You cannot switch it back on until it has cooled down. Please ensure that the PC has sufficient cooling.

OPP (overload protection)

This safeguard is triggered if the total output of the power supply exceeds the specified maximum load. This can happen if the output of power supply is insufficient for the system (incorrectly dimensioned).

6. TROUBLESHOOTING

Please note: If you have an ATX system, the power supply is enabled by the motherboard in order to boot the PC. For this reason, please refer to the motherboard or case manual to check whether the on/off switch is connected correctly.

Caution: There is a risk of fatal injury when working on power sources. If you notice traces of smoke, damaged cables and exposure to liquids, immediately disconnect the power from the mains and do not use it again.

Never open the power supply case. High-voltage components in the interior of the power supply may still be live after a longer period of disuse.

Please have any and all necessary repairs conducted by an authorized expert!

Opening the device will void your warranty.

If the system in which you installed the power supply does not work properly, check for these possible sources of error first:

- Check that the mains cable to the power supply is correctly and firmly plugged into the power supply and the socket. Ideally, you should use a separate power socket for the computer power supply.
- Check whether all connectors are correctly plugged in, and make any necessary adjustments, such as in case of incorrect polarity.
- Check the connection between the on/off switch on the case to the motherboard. Refer to the motherboard manual if needed! Switch the power supply on by setting the switch to position “I” and then pressing the on/off switch on the case. If the power supply still does not switch on, continue with the next item.
- Check your system for possible short circuits or faulty hardware, making sure that you switch off the computer and disconnect all devices not required for the computer to start. Switch the computer back on. Repeat this process and connect one device after each reboot, until you discover the fault. If the power supply does not react due to a short circuit, wait for at least 5 minutes before switching back on as the device is equipped with overload protection.

7. FREQUENT PROBLEMS

Problem: The selected voltages (via BIOS/UEFI) are too low/high

If you check the power supply voltages via the BIOS/UEFI on the motherboard or the operating system, note that they may be displayed incorrectly. This typically results from imprecise measurements by motherboard and does not necessarily imply a genuine problem.

Problem: After installing a new graphics card, the PC will not power on, or it crashes frequently.

You have installed a new higher performance graphics card in your system and now your PC fails to boot, or it crashes immediately with minimal workload. The power supply is inadequately dimensioned for your graphics card. Before making a purchase, please refer to our PSU calculator tool on www.bequiet.com. The tool will help you to find the right be quiet! power supply from our range of products.

Important note:

If the power supply does not work, make sure that you have read these instructions thoroughly and have ruled out the problems referred to earlier on. If the problems persist, please contact our customer service department immediately.

8. ACCESSORIES

The power supply package includes the following accessories: Cable management cable set, mains lead, operating manual, cable ties, screws for installing the power supply.

9. NOTES ON DISPOSAL

Due to European directives* you are no longer allowed to dispose of used electrical and electronic devices as unsorted domestic waste. The devices must be collected separately. The trash can on wheels pictogram indicates the need to dispose of the device separately.

Please help to protect the environment and make sure, once you have decided to stop using the device, that you dispose of it responsibly via the correct collection system.

In Germany, you are legally** required to dispose of used devices separately, instead of as domestic waste. Your local waste disposal authority has set up one or more collection points at which used devices from private households in your area can be handed in free of charge. In some cases waste disposal authorities will pick up used devices, even from private households. Please refer to your local household waste collection brochure, or visit your town hall or community administration office, for more information on handing in or collecting used devices in your area.

* Complies with Directive of the European Parliament and of European Council on waste electrical and electronic equipment (WEEE).

** Corresponds to the law on sale, return and sustainable disposal of electrical and electronic equipment (Electrical and Electronic Equipment Act – ElektroG)



10. WARRANTY

- 5-year manufacturer's warranty for consumers (original purchase from authorised be quiet! dealers only).
- Your original purchase receipt will be required before warranty performance is rendered. Please keep it in a safe place.
- Opening the device, manipulations and / or technical modifications of any kind and damage due to external mechanical force will void your warranty.
- To read the warranty terms and conditions in full, see Service/Warranty Conditions on the homepage at bequiet.com.

Our General Terms and Conditions of Business apply; for details, please refer to bequiet.com on the internet.

11. MANUFACTURER'S DETAILS

Listan GmbH, Biedenkamp 3a, 21509 Glinde Germany

For support in Germany, you can call our free service hotline,

Monday through Friday 09:00 – 17:30 hrs.

Tel. 0049 40 736 7686 - 44 Fax 0049 40-7367686-69

Email: service@bequiet.com

Internet page and PSU Calculator: www.bequiet.com

12. COPYRIGHT

- You are not allowed to reproduce, disclose, publish or store the contents of this documentation, or excerpts of it, without the prior written consent of Listan.
- be quiet! is a registered trademark of Listan GmbH. Other products and company names mentioned in this documentation may be brands or trademarks of their respective owners.
- In accordance with company policy, all Listan products are subject to ongoing development. Listan reserves the right to make changes and improvements to any product described in this documentation without prior announcement.
- Under no circumstances shall Listan be held liable for loss of data and income, or for any specific, incidental, direct, or indirect damage, however it arises.
- The content of this documentation represents the current state-of-art. Listan does not assume, whether expressed or implicit, any liability for the correctness or completeness of the content of this documentation, including, but not limited to the implicit guarantee of market suitability and aptitude for a special purpose, unless applicable laws or jurisdiction stringently stipulate such a liability.

Listan retains the right to make changes to this documentation or to withdraw the documentation at any time without prior announcement.

1. EINLEITUNG

Wir freuen uns, dass Sie sich dazu entschieden haben, ein be quiet! Netzteil der Straight Power 11 Platinum Serie in Ihrem Rechner einzusetzen. Vor der ersten Inbetriebnahme befolgen Sie bitte alle Punkte dieser Anleitung. Falls Sie weitere Fragen haben, richten Sie diese gerne an unseren Kundenservice. Siehe hierzu Kontaktdaten unter „Herstellerangaben“.

2. SICHERHEITSHINWEISE

Vor der ersten Inbetriebnahme befolgen Sie bitte alle Punkte dieser Anleitung. Nur dann ist ein ordnungsgemäßer Betrieb des Netzteils sichergestellt.



Achtung: Verwenden Sie nur den mitgelieferten Kabelsatz! Das Verwenden von nicht mitgelieferten Kabeln (z.B. Kabel älterer Netzteilserien) kann zu einem Defekt führen!

Öffnen Sie niemals die Abdeckung des Netzteils, die dort verbauten elektronischen Bauteile erzeugen gefährliche Hochspannungen. Auch nach der Trennung vom Netz führen die Bauteile oft noch Hochspannung, aus diesem Grund darf ein Netzteil nur von autorisiertem Fachpersonal geöffnet werden.

Durch das Öffnen des Gerätes erlischt die Garantie.

- Nehmen Sie niemals das Gerät mit nassen oder feuchten Händen in Betrieb.
- Stecken Sie keine Gegenstände in die Öffnungen/Gebälse des Netzteiles.
- Beachten Sie, dass das Netzteil für die Inbetriebnahme in Innenräumen ohne hohe Luftfeuchtigkeit vorgesehen ist. Der Außeneinsatz führt zu schweren Beschädigungen des Netzteils.
- Führen Sie keine Arbeiten am Netzteil durch, wenn sich dieses unter Netzspannung befindet. In diesen Fällen immer Netzschalter auf "0" stellen und/oder den Netzstecker herausziehen.
- Bei einem Kurzschluss im Gerät, entfernen Sie das Netzkabel und nehmen Sie das Netzteil nicht erneut in Betrieb.

Stellen Sie sicher, dass Ihr PC nicht direkt neben einer Heizung oder einer anderen Wärmequelle betrieben wird.

Sorgen Sie für eine ausreichende Belüftung Ihres Computergehäuses durch zusätzliche Lüfter, da bei heutigen komplexen und leistungsfähigen Systemen ein Netzteil allein nicht mehr für den Abtransport der im PC-Gehäuse produzierten Wärme ausreicht.

Für den Fall, dass Sie Ihr Netzteil reinigen möchten, trennen Sie das Netzteil komplett vom Stromnetz und benutzen Sie keine feuchten Tücher oder Reinigungsmittel. Reinigen Sie das Netzteil nur von außen mit Hilfe eines trockenen Tuches. Ein Öffnen des Gerätes führt zum Garantieverlust.

Nehmen Sie das Netzteil erst nach einer Stunde in Raumluftumgebung in Betrieb, da sich anderenfalls Kondenswasser im Netzteil bilden könnte.

3. KOMPATIBILITÄT

Die be quiet! Netzteile der Straight Power 11 Platinum Serie sind mit allen aktuell gängigen Netzteil- sowie Mainboard-Spezifikationen kompatibel wie u.a.:

- Intel ATX12V Version 2.51 (Sowie abwärtskompatibel zu V2.4, V2.31, V2.3, V2.2, V2.01, V2.0)
- ATX System Design Guide Version 2.2 und Version 2.1
- BTX Version 1.0a
- E-ATX Server Dual Mainboards mittels 8-Pin-Connector
- EPS12V Version 2.92 (650-1200W)
- Intel C6/C7 Status der neuen Prozessorgeneration
- Energie Star 6.1 Guidelines
- ErP Richtlinien

4. INSTALLATION IHRES NEUEN NETZTEILS

Lesen Sie bitte den Punkt „Sicherheitshinweise“ bevor Sie mit der Installation beginnen.

Anmerkung: Zum Einbau des Netzteils in Ihren PC benötigen Sie einen Schraubendreher. Benutzen Sie nur die mitgelieferten Schrauben aus dem Lieferumfang, da diese über das richtige Gewinde verfügen.

Achtung: Verwenden Sie nur den mitgelieferten Kabelsatz! Das Verwenden von nicht mitgelieferten Kabeln (z.B. Kabel älterer Netzteilserien) kann zu einem Defekt führen!

Bauen Sie Ihr altes Netzteil zunächst aus. Verfahren Sie hierfür wie folgt:

- Trennen Sie Ihren PC von allen vorhandenen Stromquellen und ziehen Sie alle am PC angeschlossenen Kabel vorsichtig ab.
- Öffnen Sie das PC-Gehäuse und achten Sie dabei auf die Anleitung des Herstellers.
- Trennen Sie alle Stecker vom Mainboard sowie allen weiteren Komponenten wie FDD, HDD oder optischen Laufwerken. Achten Sie bitte darauf, dass kein Stecker des alten Netztesiles mit einer Komponente verbunden ist.
- Nun entfernen Sie die Schrauben an der Rückseite des Netztesiles und entnehmen Sie das Netzteil vorsichtig aus dem PC-Gehäuse. Achten Sie hierbei besonders darauf, dass sich keine Kabel an Komponenten verfängen und diese beschädigen.

Der Einbau Ihres neuen be quiet! Straight Power 11 Platinum Netztesiles:

- Setzen Sie das neue Netzteil nun an den vorgesehenen Platz im PC-Gehäuse und schrauben Sie es an der Rückseite mit den vier mitgelieferten Schrauben fest. Verwenden Sie keine übermäßige Kraft.
- Stecken Sie den 20/24-Pin Stecker in die vorgesehene Buchse am Mainboard. Wenn Sie über einen 24-Pin Anschluss verfügen, dann bringen Sie die zusätzlichen 4-Pins in die richtige Position, bevor Sie den Stecker in die Buchse am Mainboard stecken. Beim Einsatz eines Mainboards mit einem 20-Pin Stecker klappen Sie die zusätzlichen 4 Pins einfach zur Seite.
- Nun stecken Sie den 12V-P4 oder P8-Stecker für die CPU in die vorgesehene Buchse auf dem Mainboard.

5. SICHERUNGSFUNKTIONEN

Alle be quiet! Netztesile sind mit zahlreichen Sicherungsfunktionen ausgestattet. Diese schützen das Netzteil und die daran angeschlossenen Komponenten vor Beschädigungen. Sollte eine dieser Sicherungen auslösen, kommt es in den meisten Fällen zu einem Neustart oder zum Abschalten des Systems.

In einem solchen Fall sollte der PC sofort auf einen möglichen Fehler überprüft werden. Hilfestellung zur Fehlersuche finden Sie im Kapitel „Fehlerbehebung“.

Die **Straight Power 11 Platinum** Serie verfügt über folgende Sicherungsfunktionen:

OCP (Überstromschutz)

Sollte die Last auf den einzelnen Leitungen mehr als das angegebene Limit betragen, wird das Netzteil automatisch abgeschaltet.

UVP (Unterspannungsschutz)

Diese Sicherung löst aus, sobald die Spannung auf den Leitungen unter ein bestimmtes Limit fällt. Das Netzteil wird in diesem Fall automatisch abgeschaltet.

OVP (Überspannungsschutz)

Die Überspannungssicherung löst bei zu hoher Spannung auf den Leitungen aus und schaltet das Netzteil ab.

SCP (Kurzschlussicherung)

Die Sicherung bei Kurzschluss im Sekundärteil des Netztesiles verhindert einen Defekt am Netzteil und an den am Netzteil angeschlossenen Komponenten.

OTP (Temperatursicherung)

Bei einer zu hohen Wärmeentwicklung im Netzteil schaltet sich das Netzteil sofort automatisch ab. Sie können es dann erst nach dem Abkühlen wieder einschalten. Bitte versichern Sie sich, dass der PC mit einer ausreichenden Kühlung ausgestattet ist.

OPP (Überlastschutz)

Diese Sicherung löst aus, sobald die gesamte Leistung, welche vom Netzteil abgenommen wird, die spezifizierte Höchstlast übersteigt. Dieser Fall kann eintreten, wenn das Netzteil nicht über genügend Leistung für das System verfügt (unterdimensioniert ist).

6. FEHLERBEHEBUNG

Bitte beachten Sie: Bei ATX-Systemen wird das Netzteil vom Mainboard aktiviert, um den PC zu starten. Daher prüfen Sie bitte, entweder mit Hilfe des Mainboards- oder des Gehäusehandbuchs, ob der Ein- / Ausschalter korrekt verbunden wurde.

Achtung: Arbeiten an Stromquellen können zu lebensbedrohlichen Verletzungen führen. Bei Rauchspuren, beschädigten Kabeln und Einwirkung von Flüssigkeiten ist das Netzteil sofort vom Stromnetz zu trennen und danach nicht mehr in Betrieb zu nehmen. Schrauben Sie das Netzteil niemals auf. Im Inneren befinden sich Bauteile, die auch bei längerem Nichtgebrauch hohe Spannungen aufweisen können.

Bitte lassen Sie Reparaturen nur von autorisiertem Fachpersonal durchführen! Ein Öffnen des Gerätes führt zum Garantieverlust.

Wenn das System bei installiertem Netzteil nicht ordnungsgemäß funktioniert, überprüfen Sie bitte zuerst diese möglichen Fehlerquellen:

- Überprüfen Sie den korrekten und festen Sitz der Stromversorgungskabel zum Netzteil, sowie auch zur Steckdose. Idealerweise benutzen Sie eine separate Steckdose nur für das Computernetzteil.
- Prüfen Sie, ob sämtliche Anschlüsse korrekt miteinander verbunden worden sind und korrigieren Sie gegebenenfalls diese bei z.B. Fehlpolung.
- Kontrollieren Sie die Verbindung des Ein- / Ausschalters vom Gehäuse zum Mainboard. Halten Sie bei Bedarf das Handbuch zu Ihrem Mainboard bereit! Schalten Sie das Netzteil ein, indem Sie den Schalter auf Position „I“ stellen und danach den Ein- / Ausschalter am Gehäuse betätigen. Falls das Netzteil sich weiterhin nicht einschalten lässt, fahren Sie mit dem nächsten Punkt fort.
- Überprüfen Sie Ihr System auf mögliche Kurzschlüsse oder defekte Hardware, indem Sie den Rechner ausschalten und alle nicht für den Start des Computers benötigten Geräte vom System trennen. Schalten Sie ihn wieder ein. Wiederholen Sie diesen Vorgang und schließen Sie nach jedem Neustart eines der Geräte an, bis Sie den vermeintlichen Defekt gefunden haben. Sollte das Netzteil wegen eines Kurzschlusses nicht reagieren, warten Sie bitte mindestens fünf Minuten mit dem erneuten Einschalten, da das Gerät mit einem Überlastungsschutz ausgestattet ist.

7. HÄUFIGE PROBLEME

Problem: Die ausgelesenen Spannungen (über BIOS oder UEFI) sind zu niedrig/hoch

Wenn Sie im BIOS oder UEFI des Mainboard oder im Betriebssystem die Spannungen des Netzteils überprüfen, kann es vorkommen, dass diese falsch dargestellt werden. Dies liegt meist an der ungenauen Messung des Mainboards und muss nicht zwangsweise der Realität entsprechen.

Problem: Nach dem Einbau einer neuen Grafikkarte springt der PC nicht mehr an oder stürzt bei jeder Gelegenheit ab

Das Netzteil ist zu schwach für ihre Grafikkarte ausgelegt. Bitte schauen Sie vor dem Kauf in unserem Watt-Konfigurator unter www.bequiet.com nach. Hier wird Ihnen das richtige be quiet! Netzteil aus unserem Sortiment empfohlen.

Wichtiger Hinweis:

Bei Nichtfunktionieren des Netzteils vergewissern Sie sich bitte, dass Sie diese Betriebsanleitung vollständig durchgelesen haben und die genannten Probleme ausschließen können. Falls die Probleme weiter bestehen, setzen Sie sich bitte umgehend mit unserem Kundenservice in Verbindung.

8. ZUBEHÖR

Im Lieferumfang des Netzteils ist folgendes Zubehör enthalten:

Kabelsatz für Kabelmanagement, Kaltgerätekabel, Bedienungsanleitung, Kabelbinder, Schrauben zur Netzteilbefestigung.

9. ENTSORGUNGSHINWEISE

Gebrauchte Elektro- und Elektronikgeräte dürfen gemäß europäischer Vorgaben* nicht mehr zum unsortierten Siedlungsabfall gegeben werden. Sie müssen getrennt erfasst werden. Das Symbol der Abfalltonne auf Rädern mit Balken weist auf die Notwendigkeit der getrennten Sammlung hin.



Helfen auch Sie mit beim Umweltschutz und sorgen Sie dafür dieses Gerät in die hierfür vorgesehenen Systeme der Getrenntsammlung zu geben, wenn Sie es nicht mehr weiter nutzen wollen.

In Deutschland sind Sie gesetzlich** verpflichtet, ein Altgerät einer vom unsortierten Siedlungsabfall getrennten Erfassung zuzuführen. Die öffentlich-rechtlichen Entsorgungsträger (Kommunen) haben hierzu Sammelstellen eingerichtet, an denen Altgeräte aus privaten Haushalten Ihres Gebietes für Sie kostenfrei entgegengenommen werden. Möglicherweise holen die rechtlichen Entsorgungsträger die Altgeräte auch bei den privaten Haushalten ab.

Bitte informieren Sie sich auch über Ihren lokalen Abfallkalender bei ihrer Stadt oder ihrer Gemeindeverwaltung über die in Gebiet zur Verfügung stehenden Möglichkeiten der Rückgabe oder Sammlung von Altgeräten.

* Entspricht der Richtlinie des europäischen Parlaments und des Rates über Elektro- und Elektronik-Altgeräte

** Entspricht dem Gesetz über das Inverkehrbringen, die Rücknahme und die umweltverträgliche Entsorgung von Elektro- und Elektronikgeräten (Elektro- und Elektronikgerätegesetz - ElektroG)

10. GARANTIE

- Fünf Jahre Herstellergarantie für Endkonsumenten (nur Ersterwerb vom autorisierten be quiet!-Händler)
- Vorort austausch in den ersten 12 Monaten ab Kaufdatum vom autorisierten be quiet!-Händler

Vorort austausch nur innerhalb Deutschlands und Frankreichs.

Der Austausch kann nur in dem Land erfolgen, in dem das Netzteil gekauft wurde. Alle eingehenden Rücksendungen werden von unserer Serviceabteilung geprüft. Falls sich ein Netzteil als fehlerfrei herausstellen sollte, wird es an Sie zurückgeschickt. Darüber hinaus behalten wir uns vor, eine Prüfpauschale für den entstandenen Aufwand zu erheben.

Sollte an Ihrem be quiet!-Netzteil innerhalb der ersten 12 Monate nach Kaufdatum ein Defekt auftreten, wenden Sie sich bitte an unsere kostenfreie Hotline, um technische Details und Fragen zu klären. Für die reibungslose Abwicklung einer Reklamation benötigen wir per Fax, E-Mail oder auf dem Postwege:

- eine Kopie des Kaufbeleges
- eine kurze Fehlerbeschreibung
- die Seriennummer und Modellbezeichnung
- Ihre Lieferanschrift

Das Öffnen des Gerätes, Manipulationen oder bauliche Veränderungen jeglicher Art, sowie Beschädigungen durch äußere mechanische Einwirkungen führen zum totalen Garantieverlust. Die ausführlichen Garantiebedingungen können im Bereich "Service" unter www.bequiet.com eingesehen werden. Es gelten unsere Allgemeinen Garantiebestimmungen, die Sie unter www.bequiet.com im Internet abrufen können.

11. HERSTELLERANGABEN

Listan GmbH | Biedenkamp 3a | 21509 Glinde Deutschland

Für weitere Unterstützung erreichen Sie uns innerhalb Deutschlands unter der unten stehenden kostenlosen Service-Hotline, montags bis freitags von 09:00 bis 17:30 Uhr.

Kostenlose Hotline: 0800 – 0736736

Fax: 040-7367686-69

E-Mail: info@bequiet.com

Internet und PSU-Calculator: www.bequiet.com

12. COPYRIGHT

- Der Inhalt dieser Dokumentation darf ohne vorherige schriftliche Genehmigung durch Listan in keiner Form, weder ganz noch teilweise, vervielfältigt, weitergegeben, verbreitet oder gespeichert werden.
- be quiet! ist eine eingetragene Marke der Firma Listan GmbH. Andere in dieser Dokumentation erwähnten Produkte- und Firmennamen können Marken oder Handelsnamen ihrer jeweiligen Eigentümer sein.
- Listan entwickelt entsprechend ihrer Politik die Produkte ständig weiter. Listan behält sich deshalb das Recht vor, ohne vorherige Ankündigungen jedem der in dieser Dokumentation beschriebenen Produkte Änderungen und Verbesserungen vorzunehmen.
- Listan ist unter keinen Umständen verantwortlich für den Verlust von Daten und Einkünften oder für jedweder besonderen, beiläufigen, mittelbaren oder unmittelbaren Schäden, wie immer diese auch zustande gekommen sind.
- Der Inhalt dieser Dokumentation wird so präsentiert, wie er aktuell vorliegt. Listan übernimmt weder ausdrücklich noch stillschweigend irgendeine Gewährleistung für die Richtigkeit oder Vollständigkeit des Inhalts dieser Dokumentation, einschließlich, aber nicht beschränkt auf die stillschweigende Garantie der Markttauglichkeit und der Eignung für einen bestimmten Zweck, es sei denn, anwendbare Gesetze oder Rechtssprechung schreiben zwingend eine Haftung vor. Listan behält sich das Recht vor, jederzeit ohne vorherige Ankündigung Änderungen an dieser Dokumentation vorzunehmen oder die Dokumentation zurückzuziehen.

1. INTRODUCTION

Nous vous remercions d'avoir choisi un bloc Straight Power 11 Platinum de be quiet!. Avant la première mise en service, nous vous recommandons de lire attentivement ce manuel et d'en observer les consignes. Si vous avez d'autres questions, nous vous invitons à prendre contact avec notre service après-vente, dont vous trouverez les coordonnées dans la rubrique « Informations constructeur ».

2. CONSIGNES DE SÉCURITÉ

Avant la première mise en service, nous vous recommandons de lire attentivement ce manuel et d'en observer les consignes. C'est indispensable pour garantir le bon fonctionnement de votre alimentation Straight Power 11 Platinum et ainsi vous donner entière satisfaction.



Attention : veuillez utiliser uniquement les câbles fournis avec votre alimentation. Utiliser d'autres câbles peut s'avérer dangereux et peut entraîner des défaillances.

Veillez à ne jamais ouvrir votre bloc d'alimentation. Les composants électroniques qui se trouvent à l'intérieur peuvent être soumis à de hautes tensions et mettre en danger votre sécurité. Nous vous rappelons que même une fois débranchés, les composants restent sous tension. C'est la raison pour laquelle seul du personnel habilité et qualifié est autorisé à ouvrir un bloc d'alimentation. Par ailleurs, nous vous rappelons que l'ouverture du bloc d'alimentation entraîne l'annulation de la garantie.

- Ne jamais manipuler un bloc d'alimentation avec les mains humides ou mouillées
- Ne pas insérer d'objet dans les orifices ou dans le ventilateur de l'alimentation
- Veuillez noter que votre bloc d'alimentation a été conçu pour fonctionner en intérieur, dans un environnement dépourvu d'humidité. L'utilisation de votre bloc d'alimentation en extérieur peut conduire à de sérieuses défaillances
- Ne manipulez pas votre bloc d'alimentation lorsqu'il est branché sur secteur. Dans ce cas, veuillez préalablement à mettre l'interrupteur du bloc en position «O» et/ou débranchez la prise secteur
- En cas de court-circuit, veuillez ne pas remettre en marche votre bloc d'alimentation

Veillez vous assurer que votre PC est suffisamment ventilé, en utilisant des ventilateurs additionnels. Avec les systèmes d'aujourd'hui, les alimentations ne peuvent plus assurer seules la dissipation de la chaleur à l'intérieur de votre PC.

Si vous souhaitez nettoyer votre bloc d'alimentation, veuillez le débrancher. Il est fortement déconseillé d'utiliser un chiffon humide ou des produits de nettoyage. Nettoyez uniquement l'extérieur du bloc d'alimentation à l'aide d'un chiffon sec. Nous vous rappelons que l'ouverture de votre bloc d'alimentation annule la garantie.

Avant la première utilisation de votre bloc d'alimentation, il est recommandé de le laisser à température ambiante une heure avant de le mettre en marche. Cela permettra d'éviter toute condensation à l'intérieur de votre bloc.

3. COMPATIBILITÉ

Les blocs d'alimentation Straight Power 11 Platinum sont compatibles avec la plupart des spécifications des cartes mères et des alimentations :

- Intel ATX 12V Version 2.51 (et rétro compatibles avec V2.4, V2.31, V2.3, V2.2, V2.01, V2.0
- ATX System Design Guide Version 2.2 et Version 2.1
- BTX Version 1.0a
- E-ATX Server Dual Motherboards via 8-Pin Connector
- EPS12V Version 2.92 (650-1200W)
- Intel C6/C7 Status pour les nouvelles générations de processeurs
- Programme Energy Star 6.1 & Directive ErP

4. INSTALLATION DE VOTRE NOUVEAU BLOC D'ALIMENTATION

Nous vous invitons à lire le paragraphe « Consignes de sécurité » en préambule à l'installation de votre bloc d'alimentation.

Remarque : vous aurez besoin d'un tournevis pour effectuer l'installation de votre bloc d'alimentation. Utilisez exclusivement les vis livrées avec votre bloc car elles présentent le filetage requis.

Attention : veuillez utiliser uniquement les câbles fournis avec votre alimentation. Utiliser d'autres câbles peut s'avérer dangereux et peut entraîner des défaillances.

Veuillez commencer par démonter votre ancien bloc d'alimentation, en suivant les recommandations ci-dessous :

- Débranchez le PC et déconnectez avec précaution tous les câbles reliés au PC.
- Ouvrez le boîtier du PC en respectant les instructions du fabricant.
- Débranchez les connecteurs de la carte mère et des autres composants tels que les disques durs. Veuillez à ce qu'aucun connecteur de l'ancienne alimentation ne soit relié à un composant.
- Retirez les vis se trouvant à l'arrière de l'alimentation et sortez-la avec précaution du boîtier PC. Pour ce faire, veuillez à ce qu'aucun câble ne se prenne dans les composants et ne les endommage.

Montage de votre nouveau bloc d'alimentation Straight Power 11 Platinum :

- Placez le nouveau bloc d'alimentation à l'emplacement prévu dans le boîtier et fixez-le sur la face arrière, à l'aide des quatre vis fournies. Veuillez à n'exercer aucune pression excessive.
- Branchez le connecteur 20/24 broches dans la fiche correspondant à la carte mère. Si la carte mère est équipée en 24 broches, mettez les quatre broches additionnelles dans la position correcte et branchez le connecteur mâle dans le connecteur femelle de la carte mère. En cas d'utilisation d'une carte mère à connecteur 20 broches, rabattez simplement les 4 broches surnuméraires sur le côté.
- Branchez ensuite le connecteur 12V-P4/ 12V-P8 du processeur dans le connecteur femelle prévu à cet effet sur la carte mère.

5. SYSTÈMES DE SÉCURITÉ

Les blocs d'alimentation be quiet! sont équipés de nombreux systèmes de sécurité, qui sont conçus pour protéger votre bloc d'alimentation et vos composants. Dans la plupart des cas, si l'une des sécurités se déclenche, le système redémarre ou s'éteint complètement. Si c'est le cas, nous vous invitons à vérifier immédiatement les erreurs de votre PC. Vous pouvez vous reporter à la rubrique « Dépannage ».

La gamme Straight Power 11 Platinum bénéficie des systèmes de sécurité suivants :

OCP (protection contre les surintensités)

Si la charge subie par chaque rail dépasse la limite spécifiée, le bloc d'alimentation s'éteint automatiquement.

UVP (protection contre les sous-tensions)

Cette sécurité se déclenche dès que la tension dans les circuits tombe en-dessous d'une certaine limite. Dans ce cas également, le bloc d'alimentation s'éteint automatiquement.

OVP (protection contre les surtensions)

Cette sécurité se déclenche en cas de tension trop élevée sur les rails et met le bloc d'alimentation hors tension.

SCP (protection contre les courts-circuits)

Le fusible qui protège les circuits secondaires du bloc d'alimentation permet de préserver l'alimentation et les composants qui lui sont raccordés.

OTP (protection contre la surchauffe)

Si l'intérieur de l'alimentation atteint une température trop élevée, elle s'éteint automatiquement. La remise sous tension n'est possible qu'une fois le bloc d'alimentation refroidi. Veuillez à ce que le refroidissement du PC soit suffisant.

OPP (protection contre les surcharges)

Cette sécurité se déclenche dès que la puissance totale fournie par le bloc d'alimentation est plus élevée que la charge maximale spécifiée. Cela peut être le cas si le bloc d'alimentation ne fournit pas une puissance suffisante pour le système, si celle-ci est sous-dimensionnée.

6. DÉPANNAGE

Remarque : veuillez noter qu'avec un système ATX, l'alimentation est activée par la carte mère pour démarrer votre PC. Il convient donc de suivre le manuel d'utilisation de la carte mère et/ou du boîtier pour vérifier si l'interrupteur marche/arrêt est correctement câblé.

Attention : manipuler des éléments sous tension comporte un risque de blessures graves voire mortelles. Si vous constatez des traces de fumée, des câbles endommagés ou des dégâts provoqués par un liquide, il faut débrancher immédiatement le bloc d'alimentation du secteur et ne plus l'utiliser.

Veuillez confier la réparation de votre boîtier exclusivement à un personnel habilité.

L'ouverture du bloc d'alimentation entraîne l'annulation de la garantie.

Si, suite à l'installation de votre nouveau bloc d'alimentation, votre configuration ne fonctionne pas correctement, nous vous recommandons de vérifier les points suivants :

- Vérifiez que le cordon d'alimentation électrique est correctement et fermement branché au bloc d'alimentation ainsi qu'à la prise secteur. Veuillez, si possible, utiliser une prise séparée pour brancher le bloc d'alimentation de l'ordinateur.
- Vérifiez que tous les connecteurs sont correctement enfoncés et corrigez les erreurs éventuelles comme les inversions de polarité.
- Contrôlez le branchement de l'interrupteur marche/arrêt du boîtier à la carte mère. N'hésitez pas à lire le manuel d'utilisation de votre carte mère en cas de nécessité.
- Mettez le bloc d'alimentation sous tension en plaçant l'interrupteur sur la position « I » et en actionnant l'interrupteur marche/arrêt du boîtier. Si le bloc d'alimentation ne s'allume toujours pas, passez au point suivant.
- Vérifiez que le système ne présente pas d'éventuels courts-circuits et qu'il n'y a aucun matériel défectueux. Pour ce faire, éteignez l'ordinateur et débranchez du système tous les appareils qui ne sont pas nécessaires au démarrage de l'ordinateur. Remettez le système sous tension. Après chaque redémarrage réussi, répétez cette procédure en ayant rebranché l'un des appareils, jusqu'à identifier celui qui provoque la panne. Si le bloc d'alimentation ne réagit pas en raison d'un court-circuit, veuillez attendre au moins cinq minutes avant de redémarrer l'ordinateur, car votre bloc d'alimentation est doté d'un système de protection contre les surcharges.

7. PROBLEMES LES PLUS FRÉQUENTS

Problème : les tensions mesurées (par le BIOS/UEFI) sont trop basses/élevées

Si vous mesurez les tensions du bloc d'alimentation au moyen du BIOS/UEFI de la carte mère ou sur le système d'exploitation, il est possible que les valeurs affichées soient inexactes. Ceci provient en général de l'imprécision de mesure de la carte mère et ne reflète pas forcément la réalité.

Problème : après le montage d'une nouvelle carte graphique, l'ordinateur ne démarre plus ou plante inopinément

Suite à l'installation d'une nouvelle carte graphique plus performante sur votre système, votre ordinateur ne démarre plus ou plante très régulièrement. Votre alimentation est très certainement sous dimensionnée. Avant votre achat, veuillez consulter notre configurateur sur www.bequiet.com, afin de vous assurer que votre bloc est suffisamment puissant. Le programme vous recommandera le bloc d'alimentation de la gamme be quiet! le plus approprié compte tenu de votre configuration.

Remarque : si le bloc d'alimentation ne fonctionne pas, assurez-vous d'avoir lu ce guide d'utilisation intégralement et d'avoir éliminé tous les problèmes qui y sont évoqués. Si les problèmes persistent, nous vous invitons à prendre contact avec notre service après-vente.

8. ACCESSOIRES

Votre bloc d'alimentation est livré avec les accessoires suivants : un cordon secteur, un manuel d'utilisation, des attache-câbles, des vis pour la fixation du bloc d'alimentation.

9. CONSIGNES D'ÉLIMINATION ET DE RECYCLAGE

En application des directives européennes*, les appareils électriques et électroniques usagés ne peuvent plus être jetés avec les déchets ménagers. Ils doivent être triés, comme l'indique le symbole du conteneur à déchets barré d'une croix.



Contribuez vous aussi à la protection de l'environnement. Lorsque votre appareil n'est plus utilisable, conformez-vous aux règles en vigueur dans votre localité et ne jetez pas votre appareil avec les déchets ménagers.

* Directive 2002/96/EG du Parlement et du Conseil Européens en date du 27 janvier 2003 sur les appareils électriques et électroniques usagés (DEEE)

** Loi sur la mise en circulation, la collecte et l'élimination non polluante des appareils électriques et électroniques en date du 16 mars 2005

10. GARANTIE

- 5 ans de garantie constructeur pour le consommateur final (uniquement dans le cadre d'un achat initial auprès d'un distributeur be quiet! agréé).
- Échange sur site au cours des 12 premiers mois à compter de la date d'achat auprès d'un distributeur be quiet! agréé ; uniquement en Allemagne et en France métropolitaine.

Nous vous rappelons que le service d'échange sur site n'est disponible qu'en Allemagne et en France métropolitaine. L'échange ne peut avoir lieu que dans le pays d'achat de l'appareil.

Les produits retournés sous garantie sont contrôlés à leur réception par notre service après-vente. Si un bloc d'alimentation s'avère exempt de tout défaut, il est renvoyé au client. En outre, nous nous réservons le droit de facturer un montant forfaitaire pour couvrir les frais de vérification engagés.

Si vous constatez un défaut sur votre alimentation Straight Power 11 Platinum de be quiet! au cours des 12 mois suivants votre achat, veuillez contacter notre numéro vert (0800 469 209) gratuit pour les appels émis de France. Notre service d'assistance en ligne vous donnera tous les détails nécessaires concernant la démarche à suivre.

Afin de garantir un traitement rapide des réclamations, veuillez préparer les éléments suivants :

- Une copie du justificatif d'achat
- Une description de la panne constatée
- Le numéro de série et la référence du modèle
- Vos coordonnées complètes

Nous vous rappelons par ailleurs que l'ouverture du bloc ainsi que toutes modifications techniques ou interventions extérieures entraînent l'annulation de la garantie.

Nous vous invitons à vous reporter à nos conditions générales de garantie, sur le site www.bequiet.com. Vous trouverez l'ensemble des coordonnées ci-dessous.

11. INFORMATIONS CONSTRUCTEUR

be quiet! est une marque appartenant à

Listan GmbH – Biedenkamp 3a – 21509 Glinde – Allemagne

Si vous avez besoin de joindre notre service après-vente, vous pouvez contacter notre numéro vert, du lundi au vendredi, de 09h à 18h :

Tél. 0800 469 209

ou envoyer un courriel sur service@bequiet.com

Internet et configurateur : www.bequiet.com

12. DROITS D'AUTEUR

- Le contenu de la présente documentation ne peut être reproduit, distribué, diffusé ou enregistré d'aucune manière que ce soit, ni en tout ni en partie, sans l'autorisation préalable écrite de Listan GmbH.
- be quiet! est une marque déposée de la société Listan GmbH. Les autres noms de produits et de sociétés mentionnés dans la présente documentation peuvent être des marques ou des noms commerciaux appartenant à leurs propriétaires respectifs.
- Listan procède au développement continu de ses produits conformément à sa politique. Par conséquent, Listan se réserve le droit de procéder à des modifications et améliorations de chacun des produits décrits dans la présente documentation, sans aucun préavis.
- Listan décline toute responsabilité en cas de pertes de données et de revenus, de dommages particuliers, accessoires, directs ou indirects, quels qu'ils soient, et quelle qu'en soit l'origine.
- La présente documentation décrit le produit sous sa forme actuelle. Listan décline toute responsabilité expresse ou tacite pour l'exactitude et l'intégralité du contenu de la présente documentation, y compris, sans s'y limiter, de la garantie tacite de l'aptitude à la commercialisation et à un usage défini, sauf dans les cas où la législation applicable ou la jurisprudence exigent une telle responsabilité. Listan se réserve le droit de procéder à tout moment et sans avis préalable à des modifications de la présente documentation, ou à son retrait.

1. WPROWADZENIE

Cieszymy się, że zdecydowali się Państwo na zamontowanie w swoim komputerze zasilacza be quiet! serii Straight Power 11 Platinum. Aby od razu odpowiedzieć na Państwa ewentualne pierwsze pytania, opiliśmy zalety i cechy szczególne serii zasilaczy Straight Power 11 Platinum w niniejszej instrukcji obsługi. Dalsze pytania prosimy kierować do pracowników Działu Obsługi Klienta – patrz dane kontaktowe, punkt Dane producenta.

2. WSKAZÓWKI DOTYCZĄCE BEZPIECZEŃSTWA

Przed pierwszym uruchomieniem proszę zastosować się do wszystkich punktów niniejszej instrukcji. Tylko wtedy zapewniona jest niezakłócona oraz długotrwała praca zasilacza Straight Power 11 Platinum.



Uwaga: Należy używać wyłącznie dostarczonego zestawu kabli. Używanie kabli innych niż dostarczone (np. kabli starszych serii zasilaczy) może doprowadzić do usterki!

Nigdy nie należy otwierać obudowy zasilacza, gdyż wbudowane części elektroniczne wytwarzają niebezpiecznie wysokie napięcia. Również po odłączeniu od sieci części zasilacza mogą wytwarzać wysokie napięcie, dlatego może on zostać otworzony jedynie przez autoryzowany personel fachowy.

Otworzenie urządzenia powoduje wygaśnięcie gwarancji.

- Nie należy włączać urządzenia mokrymi lub wilgotnymi rękami.
- Nie należy wtykać innych przedmiotów w otwór wentylatora zasilacza.
- Należy mieć na względzie, że uruchamianie zasilacza przewiduje się w pomieszczeniach o niskiej wilgotności powietrza. Praca zasilacza na zewnątrz prowadzi do jego poważnych uszkodzeń.
- Nie należy manipulować przy zasilaczu, gdy jest on podłączony do sieci. Należy ustawić sieciowy na pozycję „0” oraz/lub wyjąć wtyczkę z gniazdka.
- W razie zwarcia w urządzeniu należy zdemontować kabel sieciowy i nie uruchamiać ponownie zasilacza.

Komputer nie może być używany bezpośrednio obok grzejnika lub innego źródła ciepła.

Należy zadbać o wystarczającą wentylację komputera przez zamontowanie dodatkowych wentylatorów. Przy dzisiejszych złożonych i wydajnych systemach sam zasilacz nie wystarczy już do odprowadzania ciepła wytwarzanego wewnątrz obudowy.

W celu oczyszczenia zasilacza należy go całkowicie odłączyć z sieci. Nie należy stosować wilgotnych ściereczek ani środków czyszczących. Należy wyczyścić zasilacz jedynie z zewnątrz suchą ściereczką. Przed uruchomieniem zasilacz powinien leżeć godzinę w temperaturze pokojowej, aby zapobiec utworzeniu się w nim skroplin.

3. KOMPATYBILNOŚĆ

Zasilacze be quiet! serii Straight Power 11 Platinum są kompatybilne ze wszystkimi aktualnie stosowanymi specyfikacjami zasilaczy oraz płyt głównych, jak m.in.

- Intel ATX12V wersja 2.51 (oraz kompatybilne wstecznie z V2.4, V2.31, V2.3, V2.2, V2.01, V2.0)
- ATX System Design Guide wersja 2.2 i wersja 2.1
- BTX wersja 1.0a
- płyty główne E-ATX Server Dual z 8-pinowym konektorem
- EPS12V Version 2.92 (650-1200W)
- nowa generacja procesorów Intel C6/C7
- wytyczne Energy Star 6.1
- dyrektywa ErP

4. INSTALACJA NOWEGO ZASILACZA

Przed rozpoczęciem instalacji należy przeczytać punkt „Wskazówki bezpieczeństwa”.

Uwaga: Do zamontowania zasilacza w komputerze potrzebny będzie śrubokręt. Należy użyć śrub dostarczonych wraz z zasilaczem, gdyż posiadają one odpowiednie gwinty.

Uwaga: Należy używać wyłącznie dostarczonego zestawu kabli. Używanie kabli innych niż dostarczone (np. kabli starszych serii zasilaczy) może doprowadzić do usterki!

Najpierw należy wymontować stary zasilacz. W tym celu należy postępować następująco:

- Odłączyć komputer od wszystkich źródeł prądu, a następnie ostrożnie wyciągnąć wszystkie kable podłączone do komputera.
- Następnie otworzyć obudowę komputera, stosując się do instrukcji producenta.
- Odłączyć wszystkie wtyczki od płyty głównej i wszystkich innych komponentów, jak stacja dyskiety, dysk twardy oraz napędy optyczne. Upewnić się, iż żadna wtyczka starego zasilacza nie jest połączona z żadnym komponentem systemu. Teraz wyciągnąć śruby z tyłu zasilacza i ostrożnie go wyjąć z obudowy komputera. Zwrócić przy tym szczególną uwagę na to, aby kable nie wplątały się w komponenty systemu i nie uszkodziły ich.

Montaż nowego zasilacza be quiet! Straight Power 11 Platinum:

- Umieścić nowy zasilacz w odpowiednim miejscu wnętrza obudowy i przymocować jego tylną stronę czterema dostarczonymi śrubami. Nie należy stosować nadmiernej siły.
- Włożyć 20/24-pinową wtyczkę w odpowiednie gniazdo na płycie głównej. Jeżeli dostępne jest przyłącze 24-pinowe, przed włożeniem wtyczki do gniazda na płycie głównej ustawić 4 dodatkowe piny we właściwej pozycji. W przypadku użycia płyty głównej z wtyczką 20-pinową należy odchylić 4 dodatkowe piny na bok.
- Teraz włożyć wtyczkę 12V-P4/ 12V-P8 zasilającą jednostkę CPU w odpowiednie gniazdo na płycie głównej.

5. FUNKCJE BEZPIECZEŃSTWA

Wszystkie zasilacze be quiet! wyposażone są w liczne funkcje bezpieczeństwa. Mają one chronić zasilacz i podłączone do niego komponenty przed uszkodzeniami. Po uaktywnieniu dowolnego z tych zabezpieczeń w większości przypadków dochodzi do ponownego uruchomienia lub wyłączenia systemu.

W takim przypadku należy sprawdzić komputer pod kątem możliwych błędów.

Pomoc w wyszukiwaniu błędów znajduje się w rozdziale „Usuwanie usterek”.

Seria Straight Power 11 Platinum dysponuje następującymi funkcjami bezpieczeństwa:

OCP (Zabezpieczenie nadmiarowo-prądowe)

Zasilacz wyłącza się automatycznie, jeżeli obciążenie pojedynczych linii przekracza podany limit.

UVP (Zabezpieczenie niedmiarowo-napięciowe)

To zabezpieczenie uaktywnia się, gdy tylko napięcie na liniach spadnie poniżej pewnej granicy. Zasilacz zostanie w tym przypadku automatycznie wyłączoney.

OVP (Zabezpieczenie nadmiarowo-napięciowe)

Zabezpieczenie nadmiarowo-napięciowe uaktywnia się przy zbyt wysokim napięciu liniowym i powoduje wyłączenie zasilacza.

SCP (Zabezpieczenie zwarciove)

Zabezpieczenie zwarciove w części wtórnej zasilacza zapobiega uszkodzeniu zasilacza oraz podłączonych do niego komponentów.

OTP (Zabezpieczenie temperaturowe)

W przypadku wytwarzania zbyt dużego ciepła w zasilaczu wyłącza się on natychmiast automatycznie. Dopiero po schłodzeniu zasilacz może zostać ponownie włączony. Proszę się upewnić, czy Państwa komputer wyposażony jest w wystarczający system chłodzenia.

OPP (Zabezpieczenie przeciążeniowe)

To zabezpieczenie uaktywnia się, gdy tylko całkowita moc pobierana od zasilacza jest wyższa, niż podane w specyfikacji obciążenie maksymalne. Taki przypadek może mieć miejsce, gdy zasilacz nie dysponuje mocą wystarczającą dla systemu (jest niedowymiarowany).

6. USUWANIE USTEREK

Uwaga: W celu uruchomienia komputera w przypadku systemów ATX zasilacz jest włączany przez płytę główną. Dlatego proszę się upewnić, z pomocą podręcznika użytkownika płyty głównej lub obudowy, czy włącznik/wyłącznik został poprawnie podłączony.

Uwaga: Praca przy źródłach prądu może prowadzić do urazów zagrażających życiu. W razie wystąpienia smug dymu, uszkodzenia kabli oraz kontaktu z substancjami ciekłymi należy natychmiast wyłączyć zasilacz z sieci i nie uruchamiać go ponownie.

Nigdy nie należy rozkręcać zasilacza. Wewnątrz zasilacza znajdują się elementy, które mogą wykazywać wysokie napięcia również po długiej przerwie w użytkowaniu.

Naprawy mogą być wykonywane tylko przez autoryzowany personel specjalistyczny.

Otworzenie urządzenia prowadzi do utraty gwarancji.

Jeżeli system z zainstalowanym zasilaczem nie funkcjonuje prawidłowo, należy sprawdzić najpierw poniższe możliwe przyczyny błędów:

- Proszę sprawdzić, czy kabel zasilania jest prawidłowo i trwale podłączony do zasilacza oraz do gniazdka. Zalecamy używanie odrębnego gniazdka tylko dla zasilacza komputera.
- Proszę się upewnić, czy wszystkie łącza zostały prawidłowo ze sobą połączone i ewentualnie skorygować błędy, np. w przypadku nieumyślnej zamiany kierunków kabla.
- Proszę sprawdzić połączenie włącznika/wyłącznika obudowy z płytą główną. W razie potrzeby warto mieć pod ręką podręcznik użytkownika płyty głównej! Włączyć zasilacz przez ustawienie przełącznika na pozycji „I” oraz przyciśnięcie włącznika/wyłącznika na obudowie. Jeżeli zasilacz w dalszym ciągu nie został włączony, proszę przejść do następnych punktów.
- Proszę sprawdzić, czy w systemie nie występują ewentualne zwarcia lub uszkodzony sprzęt. W tym celu należy wyłączyć komputer i odłączyć wszystkie urządzenia, które nie są konieczne przy starcie komputera. Następnie proszę ponownie włączyć komputer. Należy powtórzyć tę czynność, podłączając po każdym ponownym uruchomieniu jedno z urządzeń, do momentu znalezienia usterki. Jeżeli zasilacz nie reaguje z powodu zwarcia, proszę odczekać przynajmniej 5 minut zanim zostanie ponownie włączony, gdyż urządzenie jest wyposażone w zabezpieczenie przeciążeniowe.

7. CZĘSTE PROBLEMY

Problem: Odczytane (przez Bios/UEFI) napięcia są zbyt niskie/wysokie

W przypadku kontroli napięć zasilacza w BIOS/UEFI płyty głównej lub w systemie operacyjnym może czasami dochodzić do błędnego przedstawiania tych wartości. Jest to na ogół spowodowane niedokładnym pomiarem płyty głównej i niekonieczne odpowiada rzeczywistym wartościom.

Problem: Po zamontowaniu nowej karty graficznej komputer nie może zostać ponownie uruchomiony lub bardzo często zawiesza się

W systemie została wbudowana nowa, bardziej wydajna karta graficzna. Komputer nie może zostać ponownie uruchomiony lub zawiesza się przy najmniejszym obciążeniu. Zasilacz jest zbyt słaby dla nowej karty graficznej. Przed zakupem proszę sprawdzić wymagania sprzętowe w naszym konfiguratorze Watt na stronie www.bequiet.com. Tu znajdź Państwo właściwy zasilacz be quiet! z naszego asortymentu.

Ważna wskazówka:

W przypadku gdy zasilacz nie działa, proszę przeczytać niniejszą instrukcję obsługi w całości i upewnić się, iż wymienione w niej ewentualne problemy mogą zostać wykluczone. Jeżeli problemy nie znikną, prosimy o niezwłoczny kontakt z naszym Działem Obsługi Klienta.

8. AKCESORIA

W skład zestawu zasilacza wchodzi następujące akcesoria: zestaw modularnych kabli, kabel zasilający, instrukcja obsługi, opaski do przewodów śruby do zamocowania zasilacza.

9. WSKAZÓWKI DOTYCZĄCE RECYCLINGU

Zgodnie z europejskimi przepisami* niedozwolone jest wyrzucanie używanych urządzeń elektrycznych oraz elektronicznych do zwykłych pojemników na śmieci. Muszą one zostać zebrane oddzielnie. Symbol kubka na śmieci na kółkach wskazuje na konieczność oddzielnego zbierania tych odpadów. Proszę wesprzeć ochronę środowiska i zadbać o to, aby urządzenie, którego nie chcą Państwo już używać, trafiło na specjalne wysypisko odpowiednie dla takich odpadów. W Niemczech są Państwo ustawowo** zobowiązani do przekazywania starych urządzeń na specjalne dla tych celów wysypisko. Podmioty odpowiedzialne w świetle prawa publicznego za przetwarzanie odpadów (gminy) stworzyły w tym celu specjalne punkty zbioru, w których stare urządzenia pochodzące z gospodarstw prywatnych danego obszaru są bezpłatnie przyjmowane. W niektórych przypadkach podmioty prawne odpowiedzialne za przetwarzanie odpadów odbierają od gospodarstw prywatnych stare urządzenia również bezpośrednio.



Proszę zasięgnąć informacji dotyczących lokalnego kalendarza zbierania odpadów lub też dostępnych w regionie możliwości zwrotu lub zbioru starych urządzeń.

* Zgodnie z Dyrektywą Parlamentu Europejskiego i Rady Europejskiej w sprawie zużytego sprzętu elektrycznego i elektronicznego (WEEE)

** Dostosowane do Ustawy o wprowadzeniu do obiegu, odbiorze i bezpiecznym dla środowiska przetwarzaniu sprzętu elektrycznego i elektronicznego (Ustawa o sprzęcie elektrycznym i elektronicznym - ElektroG).

10. GWARANCJA

- Produkt objęty jest 5-letnią gwarancją producenta dla klienta końcowego.
- Roszczenia gwarancyjne mogą być rozpatrywane tylko i wyłącznie po dołączeniu dowodu zakupu (faktura/paragon) od autoryzowanego dystrybutora be quiet! Przechowuj paragon w bezpiecznym miejscu.
- Otwarcie urządzenia, jakiegokolwiek manipulacje, modyfikacje techniczne i szkody wynikające z zewnętrznej siły mechanicznej powodują utratę gwarancji.
- Szczegółowe warunki gwarancji, dostępne są w zakładce Serwis/Warunki gwarancji na stronie głównej www.bequiet.com.

Chcesz poznać warunki współpracy, szczegóły na www.bequiet.com

11. DANE PRODUCENTA

Listan GmbH Biedenkamp 3a 21509 Glinde Niemcy

Międzynarodowa infolinia:

Poniedziałek - Piątek 9:00 - 17:30

Tel. 0049 40 736 7686 - 44, Fax 0049 40-7367686-69

e-mail: service@bequiet.com

Kontakt w jęz. polskim:

Poniedziałek - Piątek 9:00 - 17:00

Listan Poland Sp. z o.o.

ul. Drzeworytników 66

01-385 Warszawa

e-mail: serwis@listan.pl

tel. 22 664 20 58

12. PRAWA AUTORSKIE

- Zabronione jest powielanie, przekazywanie, rozpowszechnianie lub zapis treści tej dokumentacji w dowolnej formie w całości lub częściowo bez uprzedniego pisemnego zezwolenia frmy Listan.
- be quiet! jest zarejestrowaną marką frmy Listan GmbH. Inne wymienione w niniejszej dokumentacji produkty oraz nazwy firm mogą stanowić marki lub nazwy handlowe konkretnych właścicieli.
- Listan stale rozwija produkty zgodnie z polityką firmy. Z tego powodu Listan zastrzega sobie prawo do dokonywania zmian i udoskonaleń każdego z opisanych w niniejszej dokumentacji produktów, bez wcześniejszego uprzedzenia.
- Listan nie ponosi w żaden sposób odpowiedzialności za stratę danych i dochodów, a także za szczególne, przypadkowe, pośrednie lub bezpośrednie szkody, niezależnie od drogi ich powstania.
- Treść niniejszej dokumentacji jest zaprezentowana zgodnie z aktualnym stanem. Listan nie ponosi wyraźnej ani domniemanej odpowiedzialności za prawidłowość i kompletność treści niniejszej dokumentacji, włącznie, jednak bez ograniczenia do domniemanej gwarancji wartości handlowej oraz przydatności do konkretnego celu, chyba że stosowne ustawodawstwo lub sądownictwo nakazują przymusową odpowiedzialność. Listan zastrzega sobie prawo do dokonania zmian w niniejszej dokumentacji lub jej wycofania bez uprzedniego zawiadomienia.

1. INTRODUCCIÓN

Gracias por haber escogido un bloque de alimentación be quiet! de la serie Straight Power 11 Platinum para su ordenador. Antes de usar el dispositivo por primera vez, siga todos los puntos de este manual. Si tiene más dudas, consulte a nuestro servicio de atención al cliente. Para ello, vea los datos de contacto del punto Datos del fabricante.

2. INDICACIONES DE SEGURIDAD



Sólo así podremos garantizarle un correcto funcionamiento del bloque de alimentación y quedará plenamente satisfecho con el Straight Power 11 Platinum.

Atención! Use sólo el conjunto de cables suministrado! El uso de otro tipo de cables (como por ejemplo, el de una fuente de alimentación más antigua) puede dañar la unidad!

- No abra nunca la cubierta del bloque de alimentación; las piezas electrónicas que este contiene generan altas tensiones peligrosas. Incluso una vez desenchufado, las piezas siguen generando alta tensión, por lo que sólo personal autorizado y especializado puede abrir el bloque de alimentación.
- La garantía deja de tener validez si se abre el dispositivo.
- No coja nunca el aparato en funcionamiento con las manos mojadas o húmedas.
- No introduzca objetos por los orificios ni la ventilación del bloque de alimentación.
- Procure que no haya un elevado grado de humedad atmosférica en el espacio interior donde use el bloque de alimentación. El uso del bloque de alimentación en exteriores provoca daños severos.

Nunca trabaje con la fuente de alimentación mientras esté conectada a la red. En este caso, fije siempre el interruptor de encendido en "0" y/o desconecte el enchufe de red.

Si se produce un cortocircuito en el aparato, retire el cable de alimentación y no vuelva a poner en funcionamiento el bloque de alimentación.

Procure suficiente ventilación en la caja del ordenador mediante otros ventiladores, puesto que ya no basta un bloque de alimentación sin más ayuda para disipar el calor producido en la caja de los complejos y potentes sistemas actuales.

En caso de que desee limpiar el bloque de alimentación, desenchúfelo totalmente y no use paños húmedos ni detergentes. Limpie el bloque de alimentación sólo por el exterior con ayuda de un paño seco. Abrir el aparato conlleva la anulación de la garantía.

Ponga el bloque de alimentación en funcionamiento cuando lleve una hora en un entorno ventilado; de lo contrario, se podría condensar humedad en el bloque de alimentación.

3. COMPATIBILIDAD

Los bloques de alimentación de la serie Straight Power 11 Platinum son compatibles con todas las especificaciones convencionales actuales de bloques de alimentación y placas base como:

- Intel ATX12V, versión 2.51 (así como con las versiones anteriores V2.4, V2.31, V2.3, V2.2, V2.01, V2.0)
- ATX System Design Guide, versión 2.2 y 2.1
- BTX, versión 1.0a
- E-ATX Server Dual Mainboards con conector de 8 pines
- EPS12V Version 2.92 (650-1200W)
- Estado de Intel C6/C7 de la nueva generación de procesadores
- Directivas Energy Star 6.1 & Directiva ErP

4. INSTALACIÓN DE SU NUEVO BLOQUE DE ALIMENTACIÓN

Lea el punto „Indicaciones de seguridad“ antes de comenzar con la instalación.

Observación: para montar el bloque de alimentación en el PC, necesita un destornillador. Utilice sólo los tornillos suministrados ya que disponen de la rosca correcta.

Atención: Use sólo el conjunto de cables suministrado! El uso de otro tipo de cables (como por ejemplo, el de una fuente de alimentación más antigua) puede dañar la unidad!

Primero, desmonte el antiguo bloque de alimentación. Para ello, proceda del siguiente modo:

- Desconecte el PC de toda alimentación eléctrica y desenchufe con cuidado todos los cables conectados al PC.
- Abra la caja del PC siguiendo las instrucciones del manual del fabricante.
- Desenchufe todos los conectores de la placa base, así como todos los componentes restantes como FDD, HDD o unidades ópticas. Compruebe que los conectores del bloque de alimentación antiguo no estén conectados a ningún componente.
- Ahora extraiga los tornillos de la parte trasera del bloque de alimentación y retire con cuidado el bloque de alimentación de la caja del PC. Preste especial atención a que no se enganchen cables en los componentes y los dañen.

Montaje del nuevo bloque de alimentación be quiet! Straight Power 11 Platinum:

- Coloque ahora el nuevo bloque de alimentación en el lugar previsto en la caja del PC, y atorníllelo a la parte trasera con los cuatro tornillos suministrados. No aplique demasiada fuerza para ello.
- Inserte el conector de 20/24 pines en la toma prevista para ello de la placa base. Si dispone de una conexión de 24 pines, coloque los 4 pines adicionales en la posición correcta antes de insertar el conector en la toma de la placa base. Si usa una placa base con un conector de 20 pines, pliegue los 4 pines restantes al lado.
- Conecte ahora el conector de 12 V-P4 / 12 V-P8 para el CPU en la toma prevista sobre la placa base.

5. FUNCIONES DE FUSIBLE

Todos los bloques de alimentación están equipados con numerosas funciones de fusible que sirven para que el bloque de alimentación y todos los componentes conectados estén protegidos frente a daños. Si uno de estos fusibles se activa, se produce generalmente un reinicio o una desconexión del sistema. En tal caso, se debe examinar inmediatamente el PC para comprobar si hay algún error. En el capítulo „Solución de errores“ encontrará ayuda para los fallos.

La serie Straight Power 11 Platinum dispone de las siguientes funciones de fusible:

OCP (protección contra sobrecorriente)

Cuando la carga sobre cada una de las líneas es superior al límite indicado, el bloque de alimentación se desconecta automáticamente.

UVP (protección contra subtensión)

Este fusible se activa cuando la tensión de las líneas es inferior a un límite determinado. En este caso, el bloque de alimentación se desconecta automáticamente.

OVP (protección contra sobretensión)

El fusible contra sobretensión se activa cuando la tensión es demasiado alta en las líneas y desconecta el bloque de alimentación.

SCP (fusible contra cortocircuitos)

El fusible evita, en caso de cortocircuito en la pieza secundaria del bloque de alimentación, un defecto en el bloque de alimentación y en los componentes conectados a este.

OTP (fusible para la temperatura)

Cuando se genera una temperatura demasiado alta en el bloque de alimentación, este se apaga solo de inmediato. Puede conectarlo de nuevo cuando se haya enfriado. Asegúrese de que el PC esté equipado con suficiente refrigeración.

OPP (protección contra sobrecarga)

Este fusible se activa en cuanto toda la potencia absorbida por el bloque de alimentación supera la carga máxima especificada. Este caso puede darse si el bloque de alimentación no dispone de suficiente potencia para el sistema (es decir, está subdimensionado).

6. SOLUCIÓN DE ERRORES

A tener en cuenta: En los sistemas ATX, la placa base activa el bloque de alimentación para iniciar el PC. Por lo tanto, compruebe si el interruptor de encendido/apagado está bien conectado con ayuda del manual de la placa base o la caja.

Atención: Manipular fuentes de energía puede provocar lesiones mortales. Si hay indicios de humo, cables dañados o líquidos, desenchufe inmediatamente el bloque de alimentación y no vuelva a ponerlo en funcionamiento.

No desatornille nunca el bloque de alimentación. En el interior hay piezas que pueden presentar tensiones altas incluso tras un largo período de inactividad. Encargue las reparaciones sólo a personal especializado autorizado. Abrir el aparato conlleva la anulación de la garantía.

Si el sistema no funciona correctamente con el bloque de alimentación instalado, compruebe primero las siguientes posibles causas de error:

- Compruebe que el cable de alimentación esté enchufado correctamente al bloque de alimentación y a la toma de corriente. A ser posible, utilice una toma diferente para el bloque de alimentación del ordenador.
- Compruebe si todas las conexiones están unidas correctamente entre sí y corríjalas si es necesario, p. ej. en caso de falsa polaridad.
- Compruebe la conexión del interruptor de encendido / apagado de la caja a la placa base. Tenga preparado el manual de la placa base por si fuera necesario. Encienda el bloque de alimentación poniendo el interruptor en la posición „I“ y pulse el interruptor de encendido / apagado de la caja. Si sigue sin poder encender el bloque de alimentación, proceda con el siguiente punto.
- Compruebe su sistema por si hubiera cortocircuitos o hardware defectuoso; para ello, apague el equipo y desenchufe del sistema todos los dispositivos que no sean necesarios para iniciar el ordenador. Enciéndalo de nuevo. Repita este proceso y conecte uno de los dispositivos con cada reinicio hasta que encuentre el posible defecto. Si el bloque de alimentación no reacciona debido a un cortocircuito, espere al menos 5 minutos antes de encenderlo de nuevo, dado que el dispositivo está equipado con una protección contra sobrecarga.

7. PROBLEMAS FRECUENTES

Problema: las tensiones leídas (a través del BIOS/UEFI) son demasiado bajas/altas.

Si comprueba las tensiones del bloque de alimentación en el BIOS/UEFI de la placa base o en el sistema operativo, es posible que estén mal representadas. Esto suele deberse a la lectura imprecisa de la placa base y no tiene por qué corresponder a la realidad.

Problema: tras el montaje de una tarjeta gráfica nueva, el PC no arranca o se bloquea con frecuencia.

El bloque de alimentación es demasiado débil para la tarjeta gráfica. Consulte nuestro configurador de vatios en www.bequiet.com antes de la compra. Aquí se le recomendará el bloque de alimentación be quiet! adecuado de nuestra gama.

Nota importante: Si el bloque de alimentación no funciona, asegúrese de haber leído todo el manual de instrucciones y de haber descartado los problemas mencionados. Si los problemas persisten, póngase en contacto inmediatamente con nuestro servicio de atención al cliente.

8. ACCESORIOS

En el pack de entrega del bloque de alimentación, se incluyen los siguientes accesorios:

Juego de cables para gestión de cables, cable de alimentación, instrucciones de uso, abrazadera para cables, tornillos para fijar el bloque de alimentación.

9. INDICACIONES PARA LA ELIMINACIÓN

Los dispositivos eléctricos y electrónicos usados ya no se pueden eliminar con la basura común sin clasificar, conforme a las normativas europeas*. Se tienen que desechar por separado. El símbolo tachado del contenedor con ruedas indica la necesidad de tratar este residuo aparte. Ayude a proteger el medio ambiente y encárguese de tirar este aparato en la basura especial cuando ya no lo quiera volver a usar.



En Alemania, está obligado** por ley a desechar un dispositivo usado por separado de la basura convencional sin clasificar. Las empresas públicas encargadas de recoger la basura (municipios) han creado puntos de recogida donde se pueden reciclar los dispositivos domésticos usados de forma gratuita.

También es posible que estas empresas de recogida de basura vayan a buscar los dispositivos usados a los domicilios particulares.

Infórmese asimismo del calendario de recogida de basura local o, en el ayuntamiento, de las posibilidades de recogida de dispositivos usados en su zona.

* Conforme con la Directiva del Parlamento Europeo y el Comité Europeo sobre desperdicio de equipos eléctricos y electrónicos

** De acuerdo con la ley sobre ventas, el retorno y desecho sustentable de equipos eléctricos y electrónicos (Acto de Equipamiento Eléctrico y Electrónico - ElektroG)

10. GARANTÍA

- 5 años de garantía del fabricante para el consumidor final (sólo para compra original de distribuidores autorizados de be quiet!).
- Se requerirá el justificante de compra original antes de poder ejercer el derecho de garantía. Guárdelo en un lugar seguro.
- La apertura del dispositivo, la manipulación y/o la modificación técnica de cualquier tipo, así como los daños por fuerzas mecánicas externas, anularán la garantía.
- Para conocer los términos y condiciones de la garantía en su totalidad, vaya al apartado de servicio técnico y condiciones de garantía en www.bequiet.com.

Se aplicarán nuestros términos y condiciones comerciales generales; para conocerlos, consulte www.bequiet.com en Internet.

11. DATOS DEL FABRICANTE

Listan GmbH | Biedenkamp 3a | 21509 Glinde | Alemania

Si necesita más ayuda, póngase en contacto con nosotros, dentro de Alemania, a través del teléfono gratuito, de lunes a viernes, de 09:00 a 17:30 horas.

Tel. 0800 – 0736736. Fax 040-7367686-69

E-mail: info@bequiet.com.

Página web y calculadora de bloque de alimentación: www.bequiet.com

12. COPYRIGHT

- El contenido del presente documento no se puede reproducir, transmitir, publicar ni guardar de ninguna forma, ya sea total o parcialmente, sin la autorización previa por escrito de Listan.
- be quiet! es una marca registrada de la empresa Listan GmbH. Los demás nombres de productos y empresas que se citen en el presente documento pueden ser marcas o nombres comerciales de sus respectivos propietarios.
- Listan, de acuerdo con su política, sigue avanzando en el desarrollo de sus productos. Por lo tanto, Listan se reserva el derecho de realizar modificaciones y mejoras, sin previo aviso, en los productos descritos en el presente documento.
- Bajo ningún concepto, Listan será responsable de la pérdida de datos o información ni de daños especiales, ocasionales, directos o indirectos, independientemente de cómo se produzcan.
- El contenido del presente documento se muestra tal como consta actualmente. Listan no asume ninguna garantía expresa ni tácita de la corrección o totalidad del contenido del presente documento, inclusive, pero no limitado a la garantía tácita de la aptitud comercial y la idoneidad para un fin determinado, a no ser que una ley aplicable o jurisprudencia prescriban una responsabilidad. Listan se reserva el derecho de realizar modificaciones en el presente documento en cualquier momento, y de retirarlo.

1. ВВЕДЕНИЕ

Мы рады, что вы выбрали блок питания Straight Power 11 Platinum серии производства be quiet! для вашего ПК. Пожалуйста, прочтите и следуйте информации, представленной в данной инструкции. Если у вас возникнут дополнительные вопросы, пожалуйста, свяжитесь со службой поддержки пользователя. Контактную информацию вы найдете в разделе «Подробности о производителе».

2. ИНСТРУКЦИЯ ПО БЕЗОПАСНОСТИ

Корректная работа блока питания гарантирована только в том случае, если все пункты, указанные в инструкции, были соблюдены.



Внимание: используйте только поставляемый комплект кабелей. Использование других кабелей питания (напр. кабели из предыдущих серий блоков питания) может привести к повреждениям!

Никогда не открывайте корпус блока питания. Электронные компоненты внутри корпуса генерируют высокое напряжение, что опасно для человека. Даже после отключения питания от сети некоторые элементы сохраняют высокое напряжение. Блок питания может быть вскрыт только уполномоченным инженером.

Открытие корпуса устройства лишает гарантии.

- Никогда не вставляйте посторонние предметы в отверстия/вентилятор блока питания.
- Обратите внимание, что блок питания предназначен для использования в закрытых помещениях в условиях без высокого уровня влажности. Использование блока питания на открытом воздухе может привести к серьезным повреждениям.
- Никогда не производите манипуляции с блоком питания, когда он подсоединен к электросети. Всегда устанавливайте выключатель питания в положение "0" и/или отсоедините вилку шнура питания.
- В случае короткого замыкания устройства, отсоедините сетевой кабель и не пользуйтесь устройством.

Убедитесь, что ваш компьютер не находится в непосредственной близости с отопительной системой или любым другим источником тепла.

Убедитесь в том, что ваш компьютер оснащен достаточной системой вентиляции с применением дополнительных вентиляторов; современные мощные системы блок питания не способны эффективно охладить без дополнительного охлаждения.

Если вы хотите очистить блок питания, отсоедините его от сети и никогда не используйте влажную ткань или чистящие средства. Очистите внешнюю часть блока питания с помощью сухой ткани.

Перед использованием блока питания, дайте ему прогреться до комнатной температуры в течение часа, чтобы предотвратить конденсат.

3. СОВМЕСТИМОСТЬ

Серия блоков питания be quiet! Straight Power 11 Platinum совместима со всеми последними требованиями к блокам питания и системным платам:

- Intel ATX12V Version 2.51 (также совместим с версиями V2.4, V2.31, V2.3, V2.2, V2.01, V2.0)
- ATX System Design Guide Version 2.2 и Version 2.1
- BTX Version 1.0a
- E-ATX Server Dual Motherboards через разъем 8-pin
- EPS12V Version 2.92 (650-1200W)
- Режим Intel C6/C7
- EnergyStar 6.1
- ErP

4. УСТАНОВКА НОВОГО БЛОКА ПИТАНИЯ

Пожалуйста, прочитайте раздел «Инструкция по безопасности» перед началом установки.

Примечание: вам потребуется отвертка, чтобы установить блок питания в компьютер. Используйте винты из комплекта поставки блока питания.

Внимание! Используйте только поставляемый комплект кабелей. Использование других кабелей питания (напр. кабели из предыдущих серий блоков питания) может привести к повреждениям!

Сначала демонтируйте старый блок питания. Чтобы сделать это, выполните следующие действия:

- Осторожно отсоедините компьютер от любых источников питания и отключите все кабели, подключенные к компьютеру.
- Откройте корпус ПК, внимательно следуя инструкции производителя.
- Отсоедините все разъемы от системной платы и других компонентов, таких как FDD, жесткие диски или оптические приводы. Убедитесь, что все кабели от старого блока питания отсоединены от компонентов системы.

Для установки нового блока питания be quiet! Straight Power 11 Platinum:

- Установите новый блок питания в корпус ПК и прикрутите его к задней панели с помощью четырех прилагаемых винтов. Не прилагайте чрезмерных усилий.
- Подключите разъем 20/24pin в разъем системной платы. Если используется 24-контактный разъем подключения, разместите оставшиеся 4 контакта в правильном положении перед установкой. Если используется плата с 20-контактным разъемом, отведите дополнительный 4-контактный разъем в сторону.
- Теперь подключите разъем 12V-P4 / 12V-P8 для процессора на системной плате.

5. ФУНКЦИИ БЕЗОПАСНОСТИ

Все блоки питания be quiet! оснащены полным спектром систем защиты. Они спроектированы так, чтобы защитить блок питания и компоненты системы от повреждений. Если одна из систем безопасности задействована, компьютер будет перезагружен или выключен.

За более подробной информацией обратитесь в раздел «Поиск неисправностей».

Серия блоков питания Straight Power 11 Platinum включает следующие системы защиты:

ОСР (защита от перегрузки по току)

Если нагрузка на отдельные цепи превышает лимит, питание БП автоматически отключается.

UVP (защита от подачи пониженного напряжения)

Данная мера защиты срабатывает, если напряжение по цепи падает ниже определенного уровня.

В этом случае питание автоматически отключается.

OVP (защита от подачи повышенного напряжения)

Защита от повышенного напряжения срабатывает, если напряжение в цепях слишком высокое; блок питания отключается.

SCP (защита от короткого замыкания)

Предохранитель защищает вторичные цепи блока питания и подключенные компоненты от короткого замыкания.

ОТР (защита от перегрева)

В случае чрезмерного повышения температуры внутри блока питания, он автоматически выключится.

Вы не сможете его включить, пока температура не опустится до нормального уровня. Пожалуйста, убедитесь, что компьютер оснащен достаточным охлаждением.

OPP (защита от перегрузки)

Данная система защиты срабатывает, если суммарная выходная мощность блока питания превышает указанный максимальный уровень. Это может произойти, если выходной мощности блока питания недостаточно для системы.

6. ПОИСК НЕИСПРАВНОСТЕЙ

Внимание:

Если вы используете АТХ-систему, блок питания активируется через системную плату для загрузки ПК. Пожалуйста, обратитесь к описанию системной платы или корпуса, чтобы убедиться в правильности подключения выключателя.

Предупреждение: Существует опасность для жизни при работе с источником питания. Если вы заметили следы дыма, поврежденные кабели или воздействие жидкостей, немедленно отсоедините питание от сети и не используйте блок питания снова.

Никогда не открывайте корпус блока питания. Высоковольтные компоненты блока питания могут по-прежнему быть под напряжением даже после длительного времени с момента отключения.

Пожалуйста, проводите все необходимые ремонтные работы, используя услуги авторизованного эксперта!

Открытие корпуса устройства приведет к потере гарантии.

Если система, в которой установлен блок питания, не работает должным образом, проверьте возможные причины ошибок:

- Убедитесь, что сетевой кабель электропитания правильно и надежно подключен к порту питания и розетке. Оптимально использовать отдельную розетку для питания компьютера.
- Убедитесь, что все разъемы правильно подключены и внесите коррективы, например, в случае неправильной полярности.
- Проверьте соединение выключателя корпуса с системной платой. При необходимости обратитесь к инструкции системной платы! Включите блок питания, установив переключатель в положение "I" и затем нажав клавишу включения на корпусе. Если система не включается, перейдите к следующему пункту.
- Проверьте вашу систему на предмет короткого замыкания или неисправного оборудования, убедившись перед этим, что компьютер выключен и все некритичные компоненты системы отсоединены. Включайте компьютер. Повторите этот процесс, подключая одно устройство за другим при каждой новой загрузке, пока не обнаружите неисправный компонент. Если блок питания не включается из-за короткого замыкания, подождите не менее 5 минут, прежде чем включать снова.

7. ЧАСТЫЕ ПРОБЛЕМЫ

Проблема: Выбранное напряжения (через BIOS/UEFI) слишком низкое/высокое

Если вы проверили напряжение блока питания через BIOS/UEFI системной платы или операционной системы, отметим, что они могут отображаться некорректно. Подобное может возникнуть из-за неточных измерений системной платы и необязательно означает, что есть проблема.

Проблема: После установки новой видеокарты компьютер не включается или часто зависает.

Вы установили новую более производительную видеокарту в систему и теперь компьютер не загружается или завершает работу при минимальной загрузке. Возможно, у блока питания недостаточно мощности для вашей видеокарты. Прежде чем сделать покупку, пожалуйста, обратитесь к нашей программе по расчету мощности блока питания на сайте www.bequiet.com. Этот инструмент поможет вам подобрать правильный блок питания be quiet!

Важно:

Если блок питания не работает, убедитесь, что вы тщательно прочитали инструкцию и исключили все упомянутые проблемы. Если проблема сохраняется, свяжитесь с нашим отделом обслуживания клиентов.

8. АКСЕССУАРЫ

Комплектация блока питания включает следующие аксессуары: комплект кабелей, сетевой кабель, руководство по эксплуатации, стяжки для кабелей, винты для установки блока питания.

9. ЗАМЕЧАНИЯ ПО УТИЛИЗАЦИИ

Согласно европейским директивам* больше не разрешается утилизировать использованные электрические и электронные устройства как несортированные бытовые отходы. Устройства должны собираться отдельно.

Используйте для утилизации мусорный бак с соответствующим обозначением.



Помогите защитить окружающую среду, убедитесь в том, что используете подходящую систему сбора, если решили утилизировать устройство.

В Германии по закону пользователь обязан** утилизировать использованные приборы отдельно, а не вместе с бытовыми отходами. Воспользуйтесь местной службой по утилизации отходов, в соответствующем пункте сдачи вы сможете утилизировать частное устройство бесплатно. В некоторых случаях отходы могут быть забранными из дома соответствующей службой.

* Соответствует требованиям директивы Европейского парламента и Совета ЕС об отходах электрического и электронного оборудования (WEEE).

** Соответствует закону о продаже, возврате и утилизации электрического и электронного оборудования

10. ГАРАНТИЯ

- 5-летняя гарантия производителя для потребителей (для оборудования, купленного только у авторизованных представителей be quiet!).
- Для гарантийного случая потребуются оригинальная квитанция, подтверждающая факт покупки. Пожалуйста, храните ее в надежном месте.
- Открытие корпуса устройства, манипуляции и/или технические изменения любого рода и повреждения из-за внешнего механического воздействия приведет к потере гарантии.
- Подробно ознакомьтесь с условиями гарантии в разделе «Сервис/Гарантия» на домашней странице www.bequiet.com

Ознакомьтесь с нашими «Общими условиями бизнеса» на сайте www.bequiet.com.

11. ПОДРОБНОСТИ О ПРОИЗВОДИТЕЛЕ

Listan GmbH | Biedenkamp 3a | 21509 Glinde Deutschland

Для получения поддержки в Германии вы можете позвонить на нашу бесплатную горячую линию:

Пн – Пт, 09:00 – 17:30.

Тел. 0049 40 736 7686 - 44 Факс 0049 40-7367686-69

Email: info@be-quiet.ru

Интернет-страница и калькулятор мощности БП: www.bequiet.com

12. АВТОРСКИЕ ПРАВА

- Вам не разрешается воспроизводить, раскрывать, публиковать или хранить содержимое этого документа или выдержки из него без предварительного письменного согласия Listan.
- be quiet! является зарегистрированной торговой маркой Listan GmbH. Другие продукты и названия компаний, упомянутые в данном руководстве, могут быть марками или зарегистрированными торговыми марками соответствующих владельцев.
- В соответствии с политикой компании, вся продукция Listan подвергается постоянному совершенствованию и развитию. Listan оставляет за собой право вносить любые изменения и улучшения в любой продукт, описанный в этом документе, без предварительного уведомления.
- Ни при каких обстоятельствах Listan не несет ответственности за потери данных, прибыли или за любой конкретный, случайный, прямой или косвенный ущерб, когда он возникает.
- Содержание этой документации представляет текущее состояние. Listan не несет ответственности за правильность или полноту содержания данного документа.

Listan оставляет за собой право вносить изменения в документацию или изъять ее в любое время без предварительного уведомления.

TECHNICAL DATA

Technische Daten, Données technique, Datos técnico, Dane technicze, Технические характеристики

1. LABEL

AC Input		100 - 240Vac 50 - 60Hz 8 - 4A							
DC Output		3.3V	5V	12V1	12V2	12V3	12V4	-12V	5VSB
550W	Max. Current	22A	22A	18A	18A	20A	20A	0.3A	3A
		45.8A							
	Max. Combined Power	110W		549.6W				3.6W	15W
550W									

AC Input		100 - 240Vac 50 - 60Hz 8 - 4A							
DC Output		3.3V	5V	12V1	12V2	12V3	12V4	-12V	5VSB
650W	Max. Current	24A	24A	18A	18A	22A	22A	0.3A	3A
		54.1A							
	Max. Combined Power	120W		649.2W				3.6W	15W
650W									

AC Input		100 - 240Vac 50 - 60Hz 10 - 5A							
DC Output		3.3V	5V	12V1	12V2	12V3	12V4	-12V	5VSB
750W	Max. Current	25A	25A	20A	20A	24A	24A	0.3A	3A
		62.5A							
	Max. Combined Power	130W		750W				3.6W	15W
750W									

AC Input		100 - 240Vac 50 - 60Hz 10 - 5A							
DC Output		3.3V	5V	12V1	12V2	12V3	12V4	-12V	5VSB
850W	Max. Current	25A	25A	21A	21A	26A	26A	0.5A	3A
		70.8A							
	Max. Combined Power	150W		849.6W				6W	15W
850W									

AC Input		100 - 240Vac 50 - 60Hz 13 - 6.5A							
DC Output		3.3V	5V	12V1	12V2	12V3	12V4	-12V	5VSB
1000W	Max. Current	25A	25A	22A	22A	30A	30A	0.5A	3A
		83.3A							
	Max. Combined Power	150W		999.6W				6W	15W
1000W									

AC Input		110 - 240Vac 50 - 60Hz 15 - 7.5A							
DC Output		3.3V	5V	12V1	12V2	12V3	12V4	-12V	5VSB
1200W	Max. Current	25A	25A	24A	24A	38A	38A	0.5A	3A
		100A							
	Max. Combined Power	150W		1200W				6W	15W
1200W									

2. VOLTAGE REGULATION

DC Output	3.3V	5V	12V1	12V2	12V3	12V4	-12V	5VSB
Tolerance	+/- 3%	+/- 3%	+/- 3%	+/- 3%	+/- 3%	+/- 3%	+/- 4%	+/- 3%
Ripple/Noise (max.)	40mV	40mV	80mV	80mV	80mV	80mV	80mV	40mV

3. OPERATING CONDITIONS

Environment	Temperature	Rel. Humidity
Operation	0 ~ 40°C	up to 85% (non-condensing)
Storage	-40 ~ 70°C	up to 98% (non-condensing)

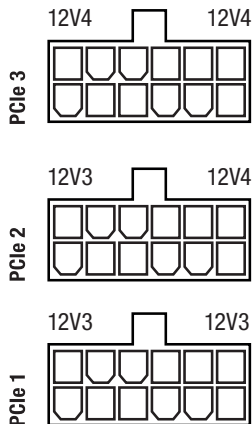
4. MINIMAL LOAD

	3.3V	5V	12V1	12V2	12V3	12V4	-12V	5VSB
1200W	0A	0A	0A	0A	0A	0A	0A	0A
1000W	0A	0A	0A	0A	0A	0A	0A	0A
850W	0A	0A	0A	0A	0A	0A	0A	0A
750W	0A	0A	0A	0A	0A	0A	0A	0A
650W	0A	0A	0A	0A	0A	0A	0A	0A
550W	0A	0A	0A	0A	0A	0A	0A	0A

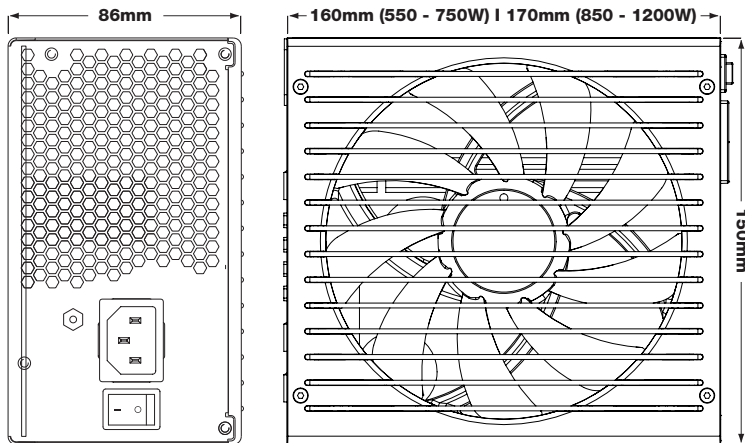
5. RAIL SPLITTINGS

	12V1	12V2	12V3	12V4
1200W	SATA, HDD, FDD, 24pin	CPU (P4 / P8)	PCIe 1/2	PCIe 2/3
1000W	SATA, HDD, FDD, 24pin	CPU (P4 / P8)	PCIe 1/2	PCIe 2/3
850W	SATA, HDD, FDD, 24pin	CPU (P4 / P8)	PCIe 1/2	PCIe 2/3
750W	SATA, HDD, FDD, 24pin	CPU (P4 / P8)	PCIe 1	PCIe 2
650W	SATA, HDD, FDD, 24pin	CPU (P4 / P8)	PCIe 1	PCIe 2
550W	SATA, HDD, FDD, 24pin	CPU (P4 / P8)	PCIe 1	PCIe 2

- EN** Please make sure you balance the load across the 12 volt rails 12V3 and 12V4:
- When using two PCIe cables, connect PCIe 1 and PCIe 3
 - When you only need one PCIe cable, connect PCIe 2
- DE** Bitte achten Sie auf eine gleichmäßige Auslastung der 12V-Leitungen 12V3 und 12V4:
- Verwenden Sie PCIe 1 und PCIe 3, wenn Sie zwei PCIe-Kabel verwenden
 - Verwenden Sie PCIe 2, wenn Sie nur ein PCIe-Kabel verwenden
- FR** Assurez-vous d'équilibrer la charge sur les rails 12 volts 12V3 et 12V4:
- Lorsque vous utilisez deux câbles PCIe, connectez les à PCIe 1 et PCIe 3
 - Lorsque vous avez besoin d'un seul câble PCIe, connectez-le à PCIe 2
- PL** Pamiętaj o zrównoważeniu obciążenia na liniach 12V 12V3 i 12V4:
- Gdy używasz dwóch kabli PCIe, podłącz PCIe 1 i PCIe 3
 - Jeśli potrzebujesz tylko jednego kabla PCIe, podłącz PCIe 2
- ES** Asegúrese de repartir la carga entre los carriles de 12 voltios 12V3 y 12V4:
- Cuando utilice dos cables PCIe, conecte PCIe 1 y PCIe 3
 - Cuando solo necesite un cable PCIe, conecte PCIe 2
- RU** Пожалуйста, убедитесь в равномерном распределении нагрузки по 12В линиям 12V3 и 12V4:
- Подключите PCIe 1 и PCIe 3 при использовании двух кабелей PCIe
 - Подключите PCIe 2 при использовании только одного кабеля PCIe

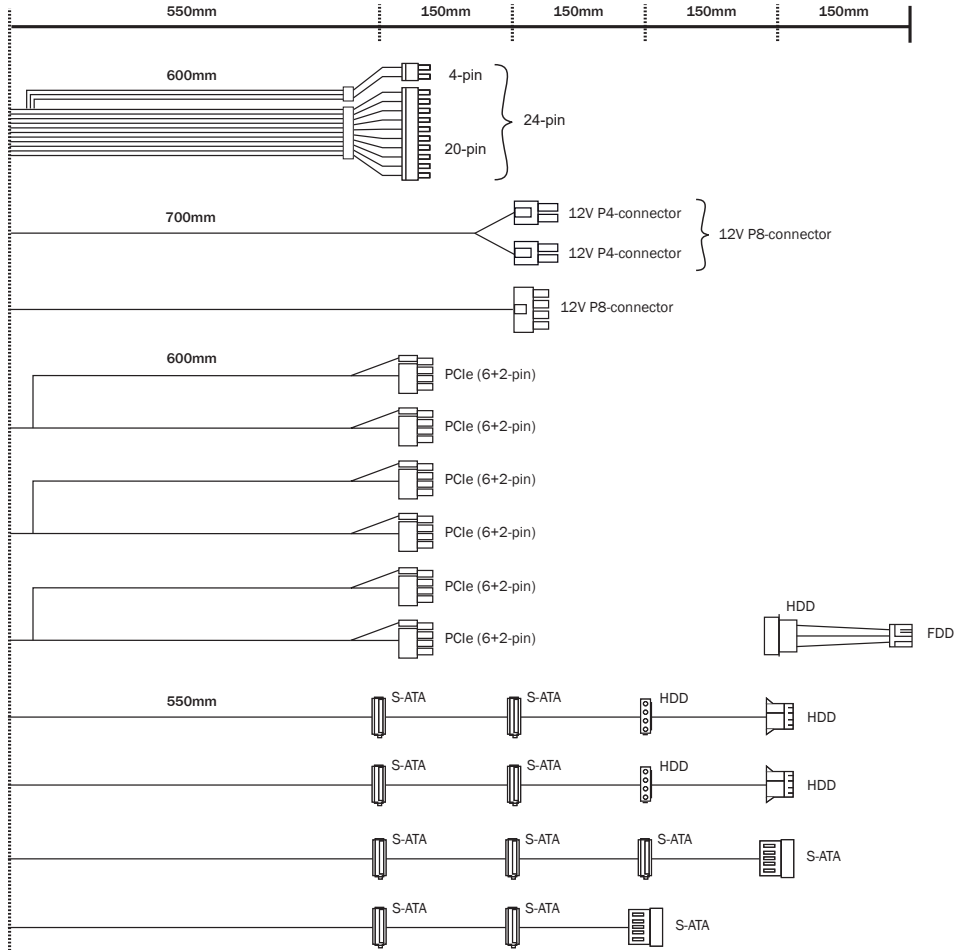


6. DIMENSIONS

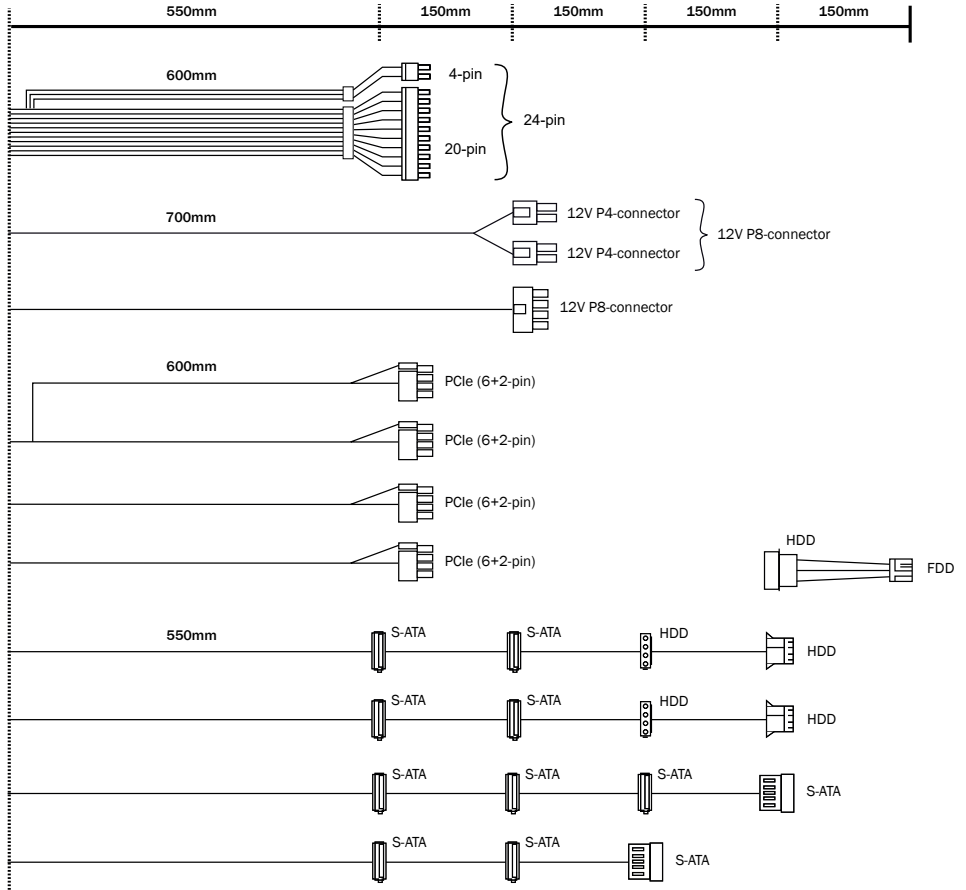


7. CONNECTIVITY AND CABLE LENGTHS

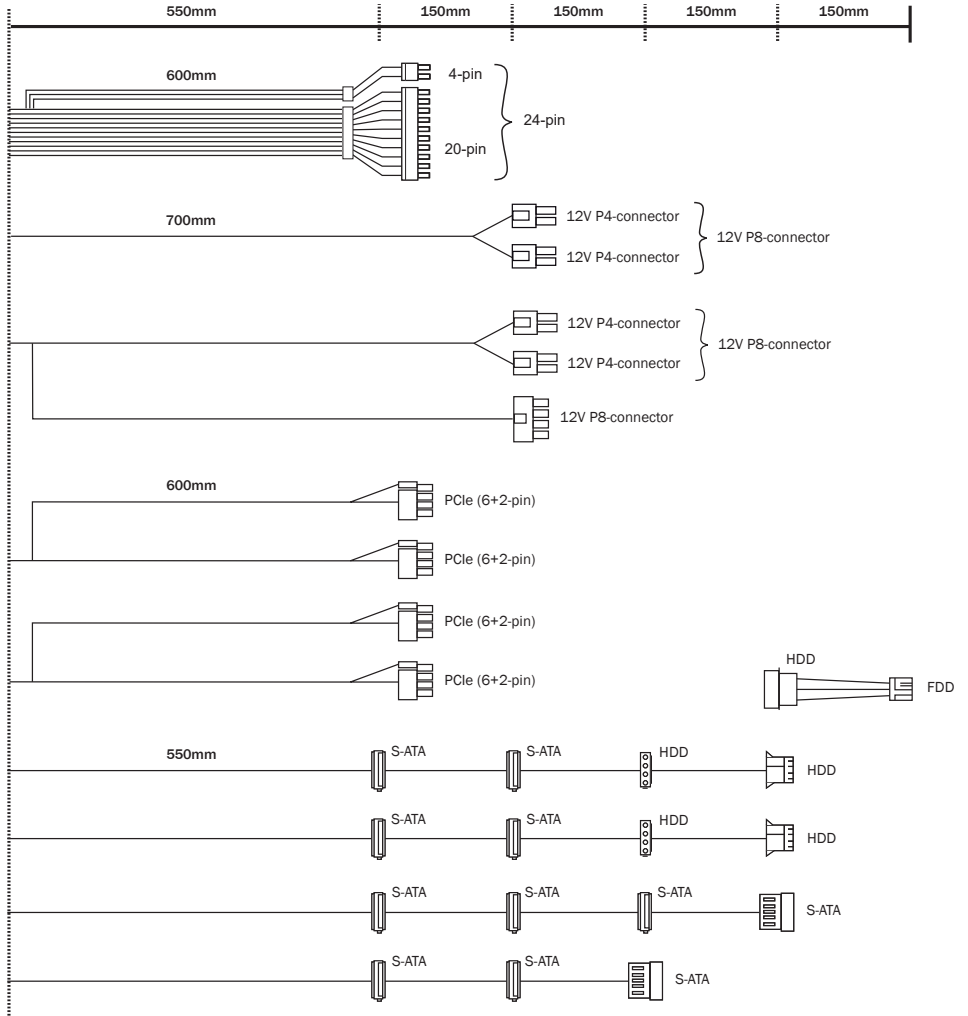
1200W / 1000W



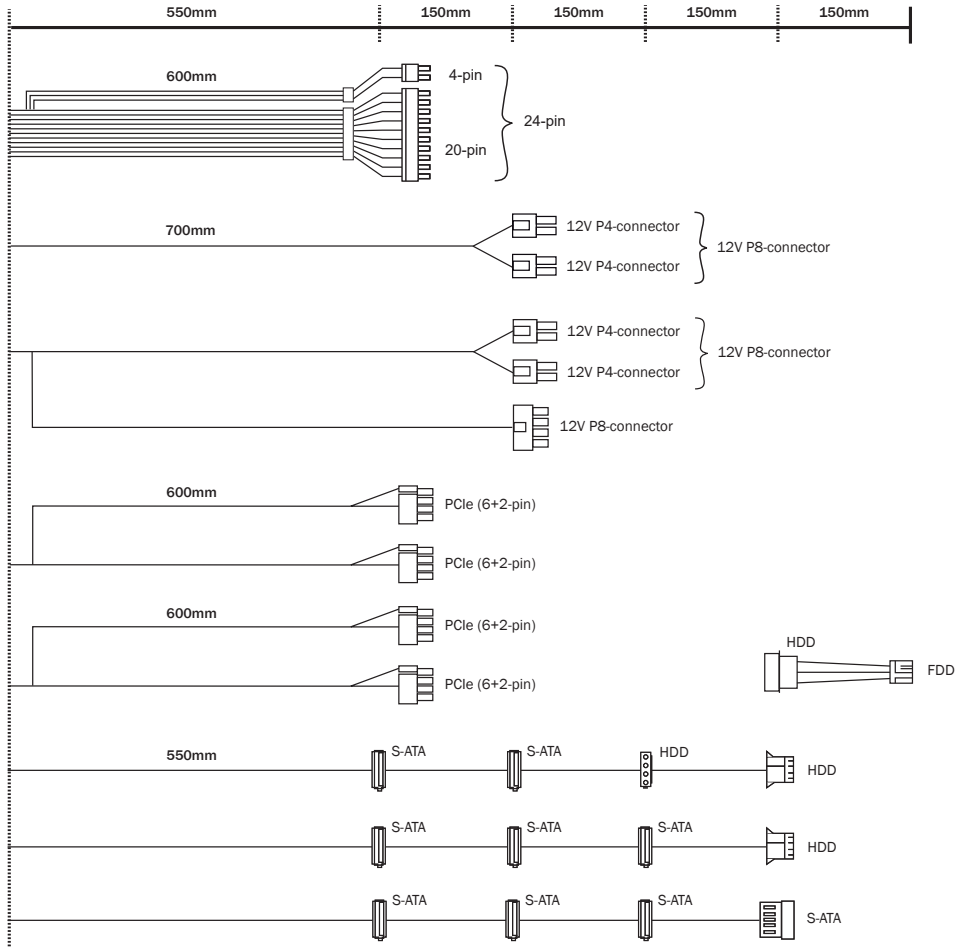
850W



750W



650W



550W

