



smartwares®

CEILING LIGHT

PLAFONDLAMP
PLAFONIER
DECKENLEUCHTE
LUZ DE TECHO
PLAFONIERA
LUZ DE TECTO
TAKLAMPA
TAVAN LAMBASI
LAMPA SUFITOWA



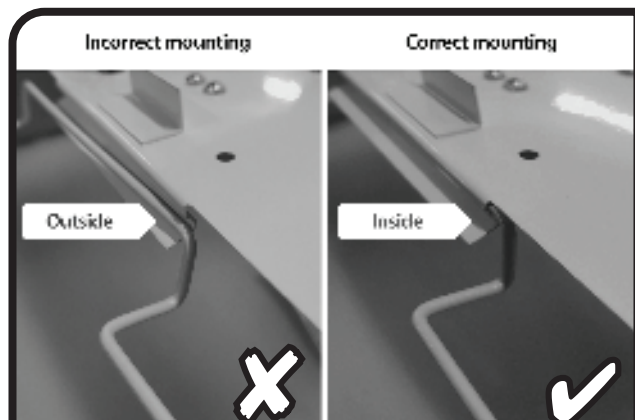
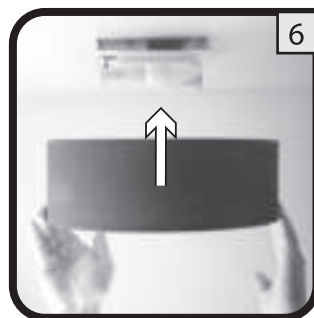
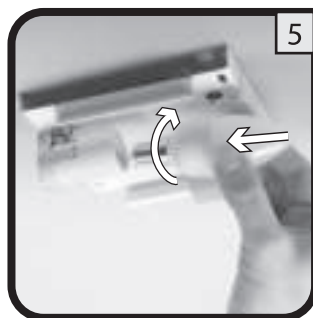
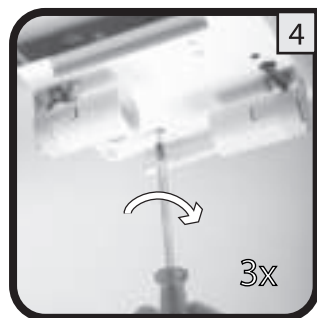
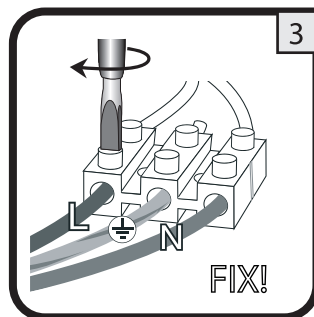
10.004.58 - 6000.532
10.004.59 - 6000.533
10.004.60 - 6000.534
10.004.61 - 6000.535
10.004.62 - 6000.536

10.004.63 - 6000.537
10.004.64 - 6000.538
10.004.65 - 6000.539
10.004.66 - 6000.540
10.004.67 - 6000.541

10.004.68 - 6000.542
10.004.69 - 6000.543
10.004.70 - 6000.544
10.004.71 - 6000.545
10.004.72 - 6000.546

EU address:	UK address:
smartwares Europe	smartwares Safety and Lighting Ltd.
Jules Verneweg 87 5015 BH Tilburg The Netherlands	Meriden House, 6 Great Cornbow Halesowen, West Midlands, B63 3AB United Kingdom
www.smartwares.eu	





Assembly Note:

1. Mount the base plate
2. Peel the lampshade on 1 side from inside out (see picture)
3. Lightly put pressure on the opposite side
4. The lampshade will snap into place



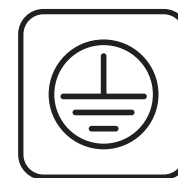
INDOOR USE
ONLY



E14 (EXCL.)
MAX 40W



220-240V ~
50Hz



- (GB) Protection class 1: the fitting must be earthed.
- (NL) Beschermklasse 1, het armatuur moet geaard worden.
- (F) Classe de sécurité 1, l'armature doit être mise à la terre.
- (D) Schutzklasse 1, die Armatur muss geerdet werden.
- (N) Beskyttelsesklasse 1: armaturet må jordes.
- (S) Skyddsklass 1, armaturen måste jordas.
- (DK) Beskyttelsesklasse 1, armaturet skal have jordforbindelse.
- (FIN) Suojausluokka 1, valaisin pitää maadoittaa.
- (PL) Klasa zabezpieczenia 1: urządzenie musi być uziemione.
- (RUS) Класс защиты 1: арматура должна быть заземлена.
- (BG) Защита от клас 1: осветителното тяло трябва да е заземено.
- (H) 1. védelmi osztály: a szerelvény földelhető.
- (RO) Clasă 1 de protecție: corpul de iluminat trebuie împământat.
- (SK) Trieda ochrany 1: zariadenie musí byť uzemnené.
- (HR) Klasa zaštite 1: svjetiljka mora biti uzemljeno.
- (CZ) Třída ochrany 1: zařízení musí být uzemněno.
- (SLO) Zaščitni razred 1: nosilec senzorja je potrebno ozemljiti.
- (I) Classe di protezione 1, la lampada deve avere la messa a terra.
- (P) Classe 1 de protecção: a ferragem de conexão deve ser ligada à terra.
- (E) Protección de Clase 1: el montaje debe estar conectado a tierra.
- (GR) Προστατευτικό γυαλί 1: η εφαρμογή πρέπει να γειωθεί.
- (TR) Emniyet türü 1: Tertibat topraklanmalıdır.