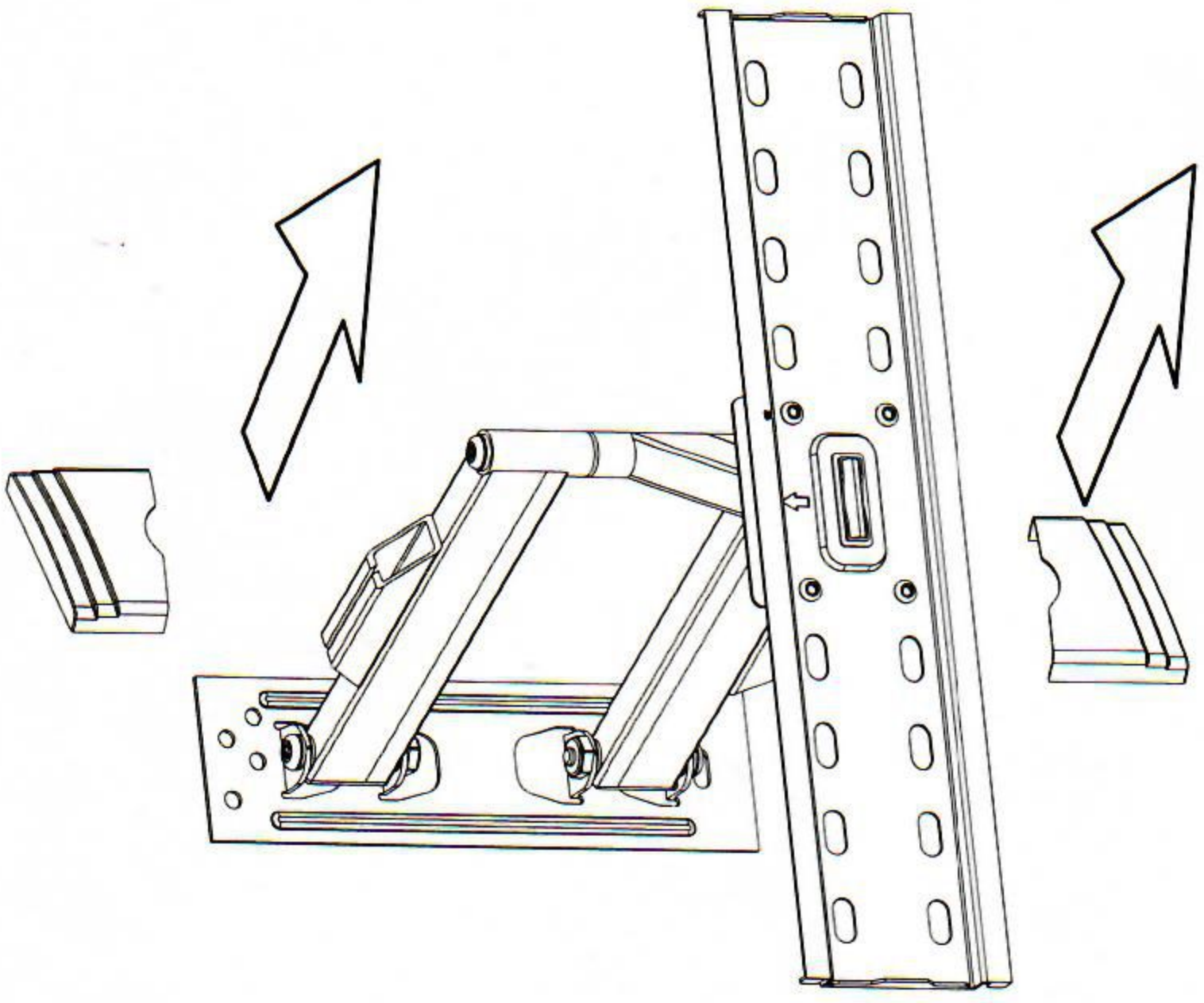
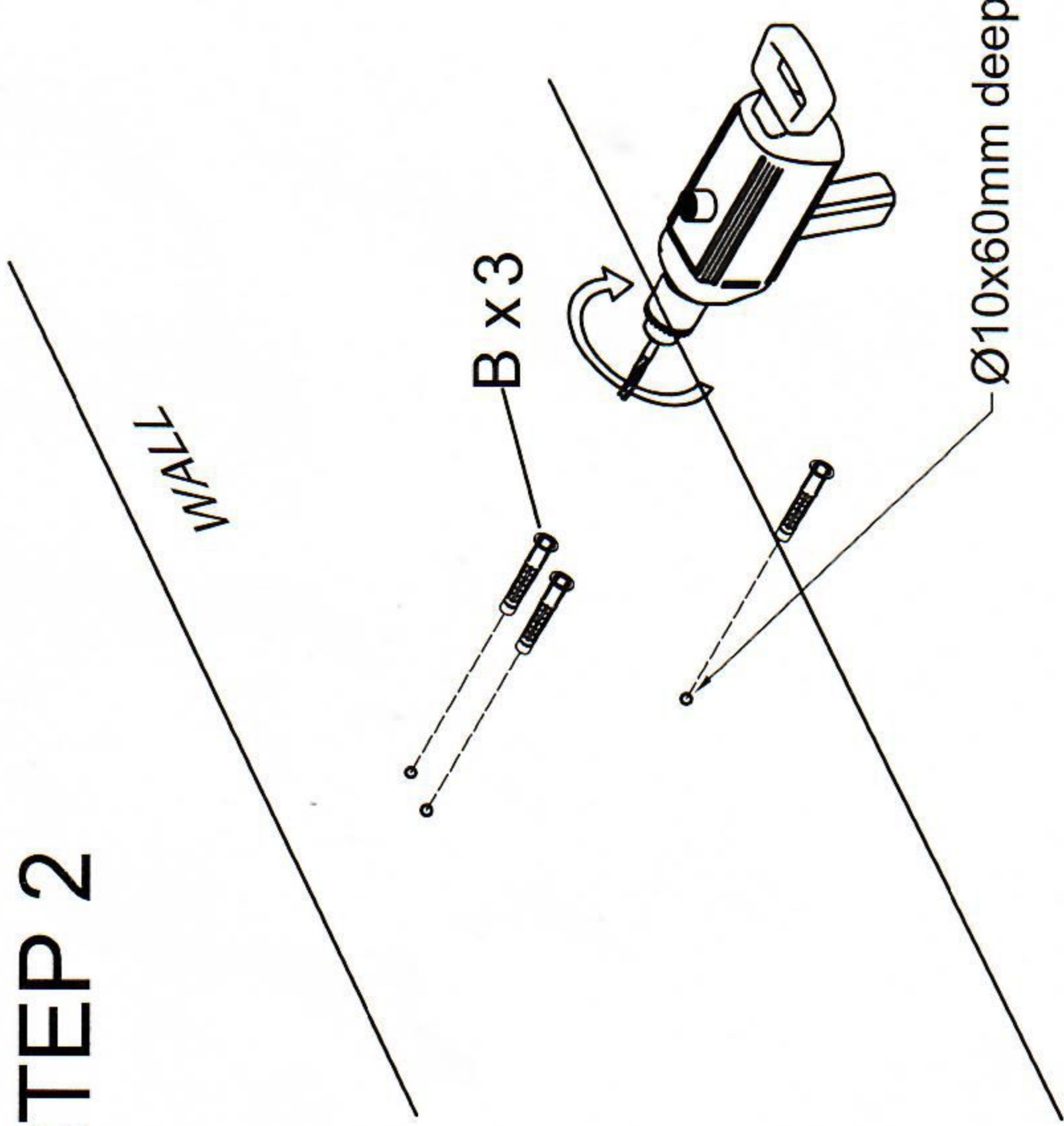


STEP 1



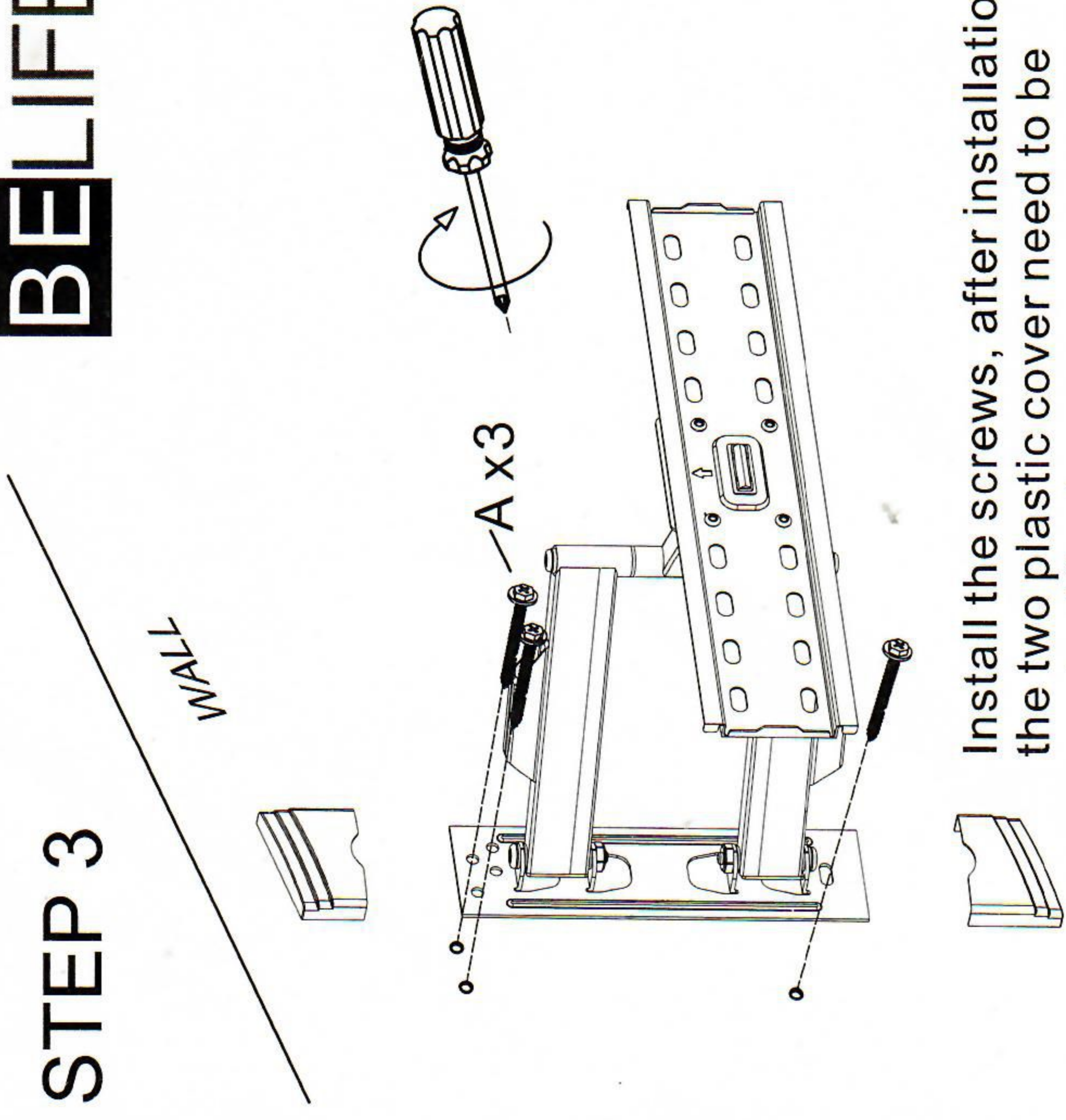
Remove the plastic cover before mounting the bracket.

STEP 2



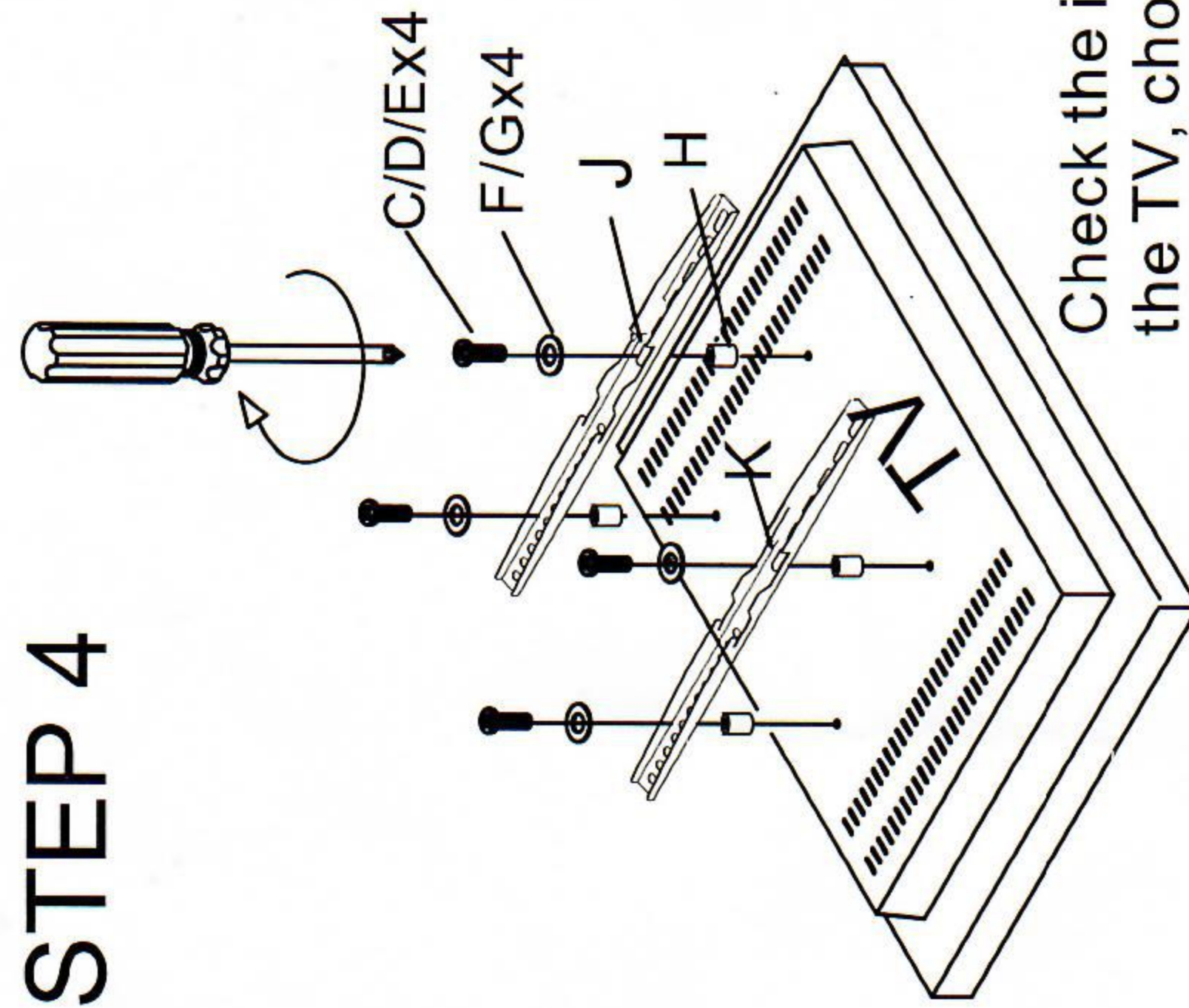
According to the hole position to drill the hole, use 10mm drill bit to drill a 60mm hole. Then put the expansion tube into the hole.

STEP 3



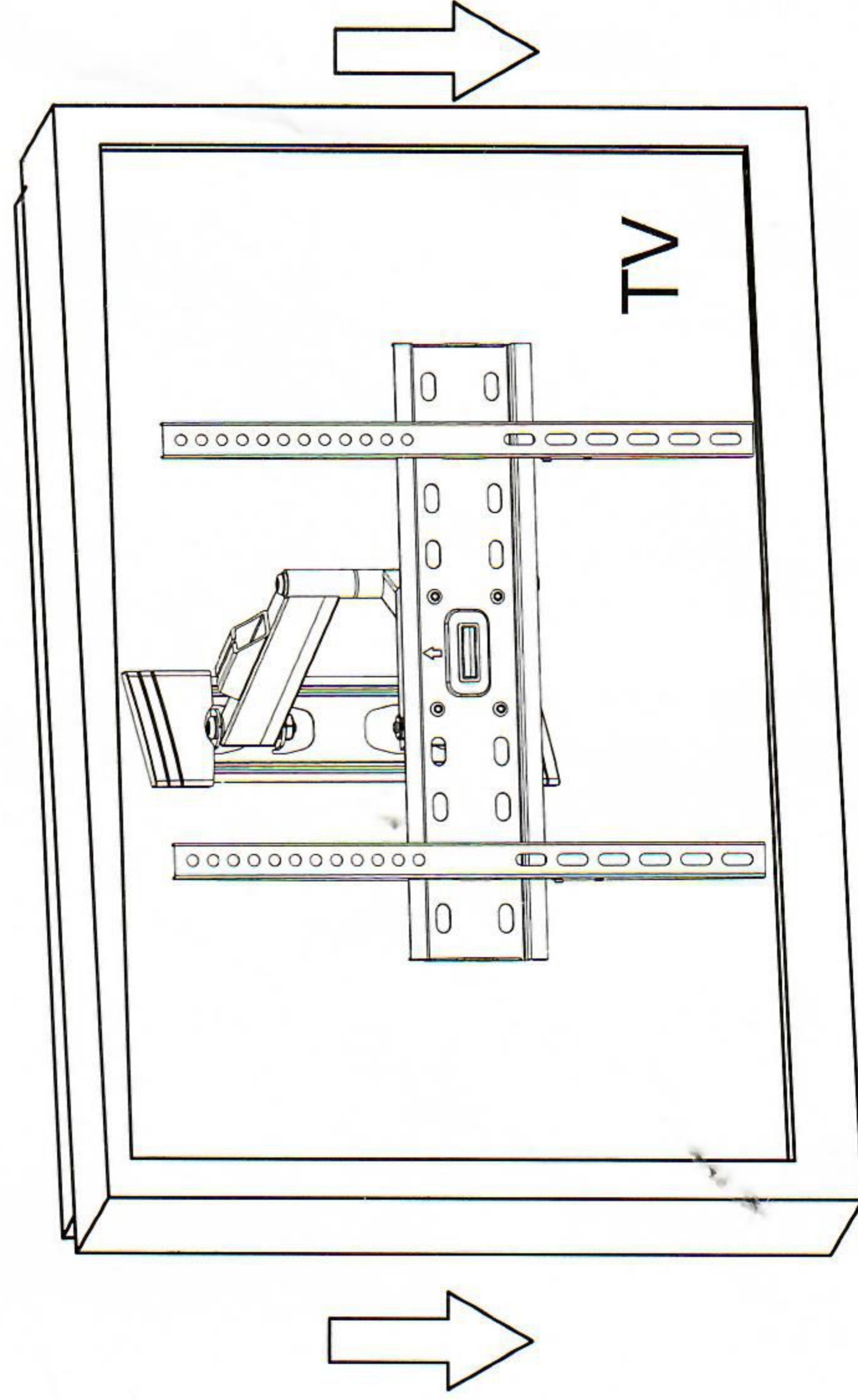
Install the screws, after installation, the two plastic cover need to be pushed firmly.

STEP 4



Check the installation hole of the TV, choose corresponding screws and washers to install the arm to back of tv.

STEP 5



| | | | |
|---|--|-------|---|
| A | | M8x50 | 3 |
| B | | 10x60 | 3 |
| C | | M8x25 | 4 |
| D | | M6x22 | 4 |
| E | | M4x20 | 4 |
| F | | D8 | 4 |
| G | | D6 | 4 |
| H | | | 4 |
| I | | | 1 |
| J | | | 2 |
| K | | | 1 |

