

Specification

Kitchen Faucet

Description:

- 304 stainless steel kitchen faucet
- Flexible hoses supply with size 3/8
- Ceramic cartridge

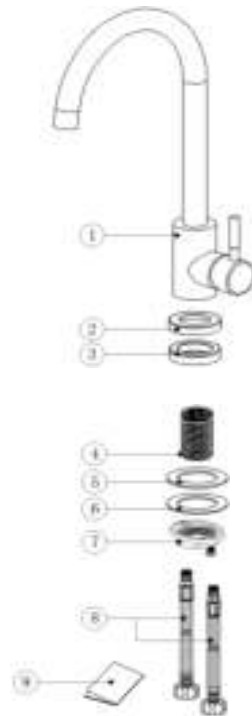


Notes before installation:

1. Please check that all components are present
2. Before installation ensure that all feed lines are clear of debris and on/off valve is present.
3. If you will be away from home for an extended period you should shut off the main water supply
4. Installation manual tools you will need: adjustable wrench, hexagon wrench, philips screwdriver.

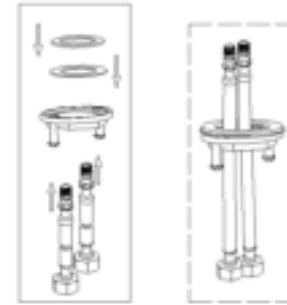
Component parts list

No.	Part name	QTY	Material
1	Faucet	1	304 sus
2	Cover	1	304 sus
3	cover ring	1	rubber
4	Dental canals	1	304 sus
5	O-ring	1	PVC
6	O-ring	1	PE
7	Faucet nut	1	304 sus
8	Flexible hoses	2	304 sus
9	Instruction paper	1	paper

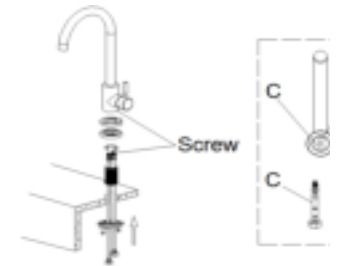


Installation Way

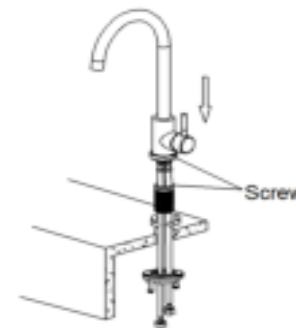
1. Put the flexible hoses through the fixer components.



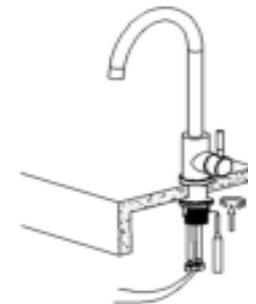
2. Put the flexible hoses (with the comp sink bottom, put the s/s tube through above the sink, screw the hose into the sink, ensure the red hose to H, blue hose to C



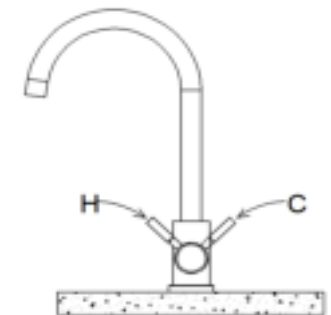
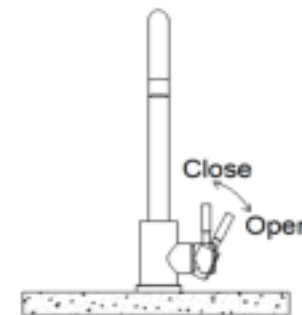
3. Screw the s/s tube into faucet.



4. Tighten up the cap screw by screwdriver. Connect the water hose water supply line



5. Open the faucet, double check for any leakage, and make sure the faucet can work as cold water can control well when open handle.



Notice: this faucet is designed to be installed thru 1 hole $\Phi 1\text{-}3/8"$ ($\Phi 35\text{mm}$)min

ponents) through the
into the water hose
the faucet, make
>. Don't confuse.



river to make the
> to hot and cold

3

normal. Hot and