

AKM 268/IX

12NC: 857126849700

GTIN (EAN) code: 8003437808586

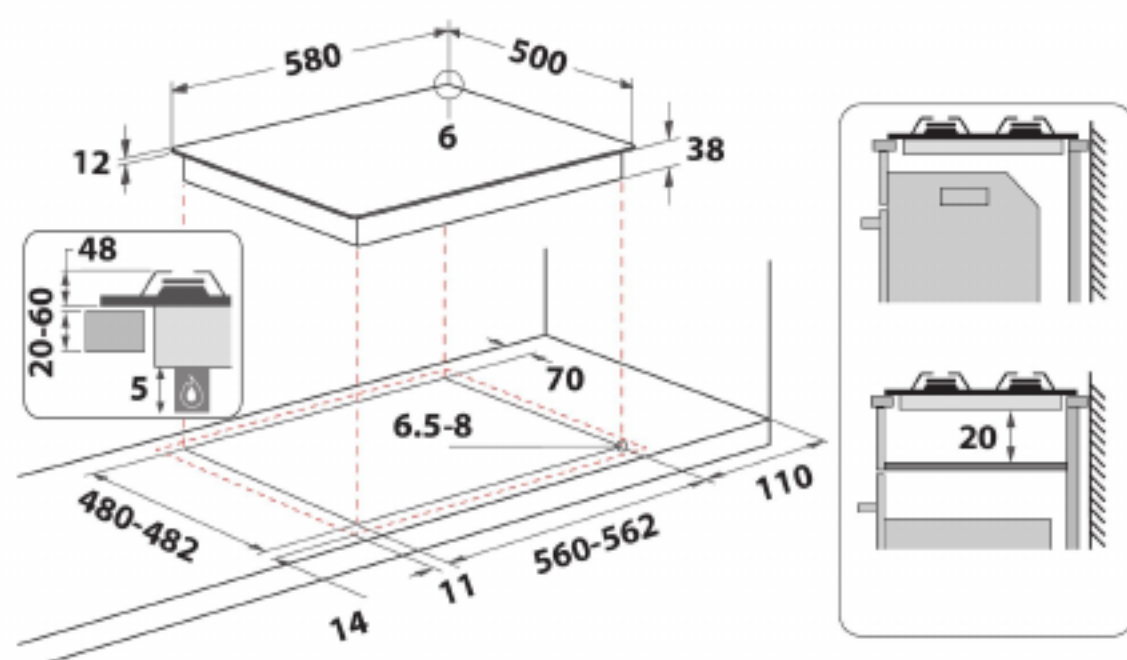
Whirlpool

SENSING THE DIFFERENCE



MAIN FEATURES

Product group	Hob
Construction type	Built-in
Type of control	Mechanical
Type of control settings	-
Number of gas burners	4
Number of electric cooking zones	0
Number of electric plates	0
Number of radiant plates	0
Number of halogen plates	0
Number of induction plates	0
Number of electric warming zones	0
Location of control panel	Lateral
Basic surface material	N/A
Main colour of product	Inox
Electrical connection rating (W)	0
Gas connection rating (W)	7300
Gas type	G20
Current (A)	0
Voltage (V)	230
Frequency (Hz)	50
Length of Electrical Supply Cord (cm)	0
Plug type	No
Gas connection	Cilindric
Width of the product	580
Height of the product	41
Depth of the product	500
Minimum niche height	30
Minimum niche width	560
Niche depth	480
Net weight (kg)	8
Automatic programmes	No



TECHNICAL FEATURES

Power on indicator	No
Number of indicators	0
Type of regulation	Semirapid
Type of lid	Glass
Residual heat indicator	Without
Main on/off switch	No
Safety device	-
Timer	No

ENERGY LABEL

Energy input

Gas