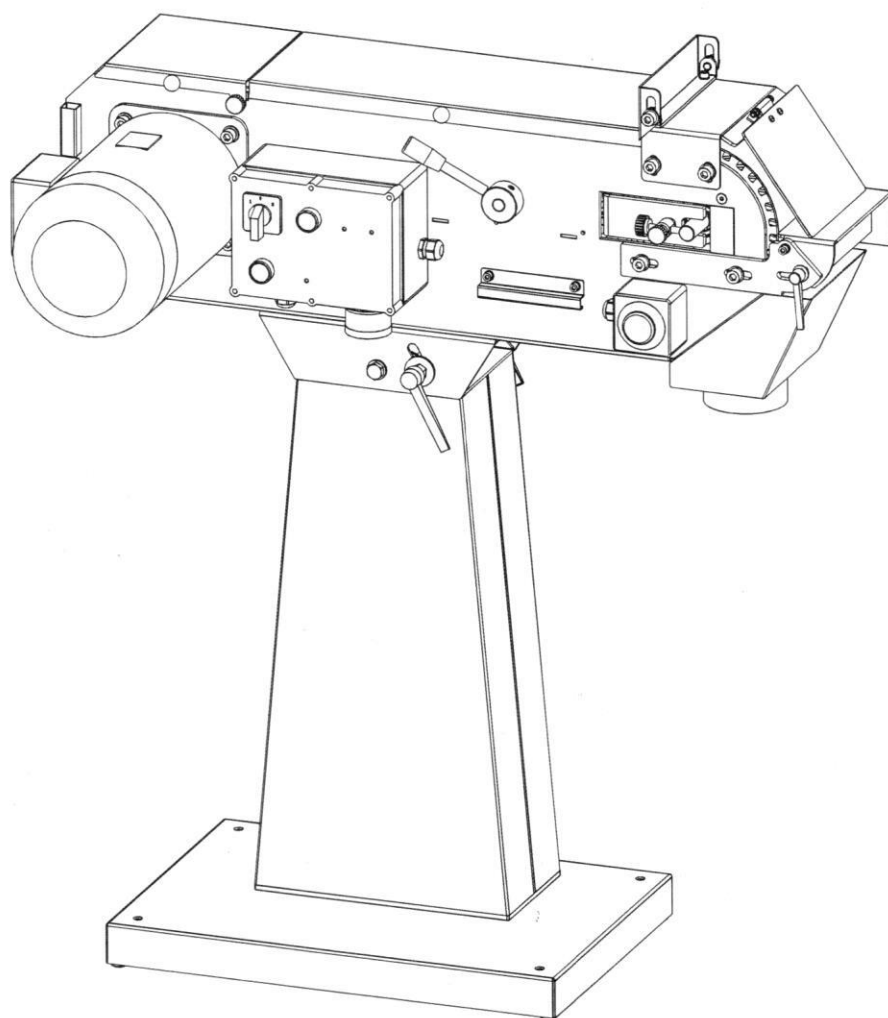


Instruction manual

—Metal belt Sander



Contents

Product identification

1. Introduction

- 1.1 Copyright
- 1.2 Limitation of liability

2. Safety

- 2.1 Explanation symbols
- 2.2 Correct use
- 2.3 Responsibility user
- 2.4 Qualification staff
- 2.5 Personal protective equipment
- 2.6 Safety devices
- 2.7 Safety characteristics on machine

3. Technical data

4. Transport, packing, storage

- 4.1 Delivery and transport
- 4.2 Packing
- 4.3 Storage

5. Description machine

6. Mounting and Start-up

- 6.1 Mounting
- 6.2 Erection
- 6.3 Electrical connection
- 6.4 Operation

7. Maintenance, repair

- 7.1 Cleaning and lubrication
- 7.2 Changing of the grinding belt and adjustment of the belt running
- 7.3 Malfunctioning, possible causes and measures

8. Removal, reuse of old equipment

- 8.1 Taking out of service
- 8.2 Removal of electrical app
- 8.3 Removal of lubricates

9. Spare parts

- 9.1 Diagram spare parts

10. Wiring diagram

1. Introduction

Please carefully read the operation manual before you start working with the machine.

It will inform you about correct start-up procedure, the correct use as well as the safe and efficient operation and maintenance of the machine.

The operation manual is part of the machine.

She always has to be kept with the machine. Moreover the local accident prevention rules and general safety regulations for the use of the machine are applicable.

Pictures in this operation manual are there to give you more understanding and can deviate from the real job.

1.1 Copyright

The contents of this manual are protected by copyright. There application is allowed within the frame of the use of the machine.

All other use which deviates from this is not allowed without written consent of the manufacturer.

1.2 Limitation of liability

All indications and instructions in this manual were composed with regard of the valid standards and regulations, the level of technique as well as our many years of experience.

In the following cases the manufacturer is not liable for

- No observation of manual.
- No correct use.
- Use of unqualified staff.
- Self-made changes.
- Technical modifications.
- Use of unpermitted spare parts.

The factual delivery can, in case of special models, deviate from the pictures and descriptions if additional orders are being placed. The obligations agreed upon in the contract, the general terms and conditions as well as the terms and conditions of the manufacturer and the legal regulations valid on the moment of conclusion of the contract are applicable.

2. Safety

This chapter shows all important safety packages for the protection of persons as well as for the safe and sound operation. All other safety instructions regarding certain tasks have been mentioned in the separate chapters.

2.1 Explanation of symbols

Safety instructions

Safety instructions are indicated in this manual by symbols. The safety symbols have been introduced by safety words, which have to explain the gravity of the danger.



DANGER!

This combination of symbol and word indicates an immediate dangerous situation, which might cause death or serious injury if it will not be prevented.



WARNING!

This combination of symbol and word indicates an immediate dangerous situation, which might cause death or serious injury, if it will not be prevented.



CAREFUL!

This combination of symbol and word indicates an immediate dangerous situation, which might cause little or light injury, if it will not be prevented.



INDICATION!

This combination of symbol and word indicates an immediate dangerous situation, which might cause damage to material or environment, if it will not be prevented.

Information and advices



INFORMATION AND ADVICES

This symbol gives information and advices for a more efficient and sound operation.

In order to prevent the risk of personal or material damage, you are obliged to observe the safety instructions as laid down in this manual.

2.2 Correct use

This machine is specially used for grinding metal.

For a correct use, it is necessary to observe all instructions in this operation manual. All other use deviating from this manual, or other kind of use, is considered as wrong.



WARNING

Danger in case of wrong use!

A wrong use of the machine can cause dangerous situations:

- The machine has only to be used for the work mentioned in the technical data.
- Never by-pass the safety devices or put them out of order.
- The machine has to be operated in a perfect condition.

For constructive and technical changes on the machine, the manufacturer does not accept any liability.

Claims of any kind whatsoever, due to damage caused by wrong use are excluded.

2.3 Responsibility of owner.

The owner is that person, who uses the machine himself for economical purposes or leaves it to third parties to use it, and remains responsible for the protection of the user, staff or third parties during operation.

Obligations owner.

The owner will be responsible to observe the legal stipulations for the safeguarding of persons at work. Therefore safety instructions in this manual as well as the accident prevention-, safety-, environmental stipulations have to be observed. The following is very important:

- The owner has to inform himself about valid labour protection regulations. In dangerous situations he has to make a judgement, which might result from the special labour circumstances at the working place of the machine. He will have to turn these into instructions for the operation of the machine.
- The owner has to check, during the whole working time with the machine, whether the instructions laid down by him come up to the actual state of affairs in control engineering, and, eventually to adjust them.
- The owner has to lay down clearly all authorizations regarding installations, operation, trouble-shooting and maintenance and cleaning.

- The owner has to see to it, that all persons who work with the machine, have read this manual and have understood it. Moreover he will have to instruct his staff at regular intervals and to inform them about the risks.

- The owner will have to put the necessary protective equipment at the disposal of the staff and he will have to make carrying of the needed protective equipment obligatory.

Furthermore the owner will always be responsible for a perfect condition of the machine. Therefore the following applies:

- The owner will have to take care of it, that the maintenance intervals described in this manual will be observed.

- The owner will have to see to a regular check up of a correct functioning and completeness of all safety devices.

2.4 Qualification off staff

The various tasks described here, demand different qualifications of persons, who are being charged with the job.



WARNING!

Danger in case of insufficient qualified staff!

Danger in case of insufficient qualified staff!
Insufficient qualified staff cannot estimate the risks during working with the machine and might expose themselves or others to danger with death or serious injury as a consequence.

- All tasks may only be done by qualified staff.
- Insufficient qualified staff should be kept at a distance.

For all work, only persons are allowed, from whom you may expect, that they are capable of carrying out these tasks correctly. Persons, whose reaction power has been influenced by drugs, alcohol or medicines, are not allowed to get near to the machine.

In this manual, the following indicated qualifications of staff are mentioned for various tasks:

Operator:

The operator has received the necessary instructions from the owner with regard to certain tasks charged to him as well as the eventual risks. Tasks which deviate from the normal operation, the operator may only carry out if such is mentioned in the manual and if he explicitly has been charged with it.

Electrician

The electrician is by virtue of his professional training, experience as well as knowledge of actual standards and stipulations capable of carrying out work on electrical installations and to recognize possible dangerous situations and to prevent them.

Qualified staff:

The qualified staff is by virtue of their professional training, knowledge, experience as well as knowledge of standards and stipulations capable of carrying out work and to recognize possible dangerous situations and to prevent them.

Producer

Certain tasks may only be done by qualified staff of producer. Other staff is not authorized to carry out these tasks.

2.5 Personal Protective equipment

The personal protective equipment is meant to protect persons against dangers resulting from work and which may jeopardize their health and safety. His staff is obliged to wear protective equipment during working with the machine.

In the following chapters the personal protective equipment will be explained:



Eye-, ear- and head protection

The safety goggle protects the eyes against parts flying around and fluids.

The ear protection protects the ears against damage to hearing caused by noise.

The safety helmet protects the head against falling objects and bumping against solid objects.



Safety gloves

The Safety gloves protect the hands against sharp edges, as well as grazes or deeper injuries.



Safety shoes

The safety shoes protect the feet against jamming and gliding on slippery ground.



Safety clothes

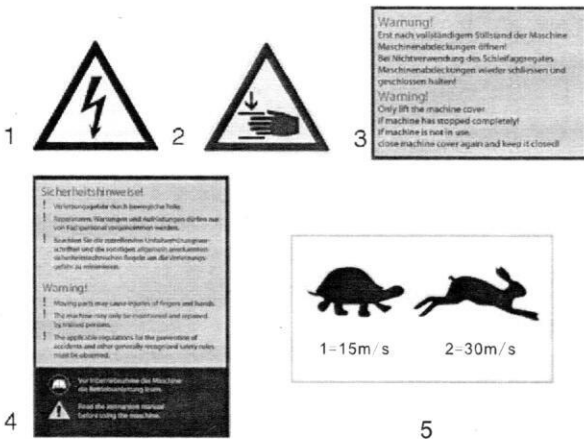
The safety working clothes are tight fitting and will not rip quickly.

2.6 Safety devices.

In order to protect against a spark rain, a safety window has been placed on the chassis above the contact wheel. The on-off switch is combined with an emergency switch.

2.7 Safety indications on the machine.

On the machine several safety indications can be found (ill 1) which need to be observed.



ill. 1: Safety indications:

1. Warning against dangerous electrical tension
2. Careful: risk of jamming
3. Warning against covering
4. Safety instructions
5. Warning stop engine.

Damaged or missing safety symbols on the machine can result in wrong actions with persons and cause damage to people and material. The safety symbols put on the machine may not be removed. Damaged safety symbols need to be renewed immediately.

As of the moment, on which the symbols cannot be recognized or understood anymore, the machine should be taken out of production till the symbols have been renewed.

3. Technical data

Technical data	Model	MBS 75-200	MBS 150-200
Motor capacity kW single speed(230V/50Hz)		3.3	3.3
Motor capacity kW single speed(400V/50Hz)		3.3	3.3
Motor capacity kW double speed(400V/50Hz)		2.5/3.3	2.5/3.3
Motor speed(Rpm) single speed		2800	2800
Motor speed(Rpm) double speed		1400/2800	1400/2800
Belt speed(m/s) single speed		30	30
Belt speed(m/s) double speed		15/30	15/30
Belt size(mm)		75×2000	150×2000
Dusting mouth(mm)		2×100	2×100
Dimensions L×W×H(mm)		1000×500×1150	1000×570×1150
Wright(Kg)		77	90
Noise level(dB/A)		80-90	80-90

4. Transport, packing and storage

4.1 Delivery and transport

Delivery

The machine has to be checked after delivery for any transport damage. In case the machine has some clear damage, this should be reported to the transporter or the dealer.

Transport

WARNING!



Danger as a consequence of falling cargo!

If during transport or during elevating the weight of the machine or the maximum bearing capacity is not being observed, the machine might tip over or fall down.

- During transport and elevating the weight of the machine and also the maximum bearing capacity should be observed.



INDICATION!

Protect the machine against humidity.

The belt sander may only be transport in a standing position and with disconnected engine.

Transport with a fork lift truck:

The machine must be mounted on a pallet in order to carry it with a fork lift truck.

4.2 Packing

All used packing material and packing auxiliaries of the machine can be recycled and have to be given to the recycling channel.

Packing elements made of card board need to be made small and given to the collection channel for old paper.

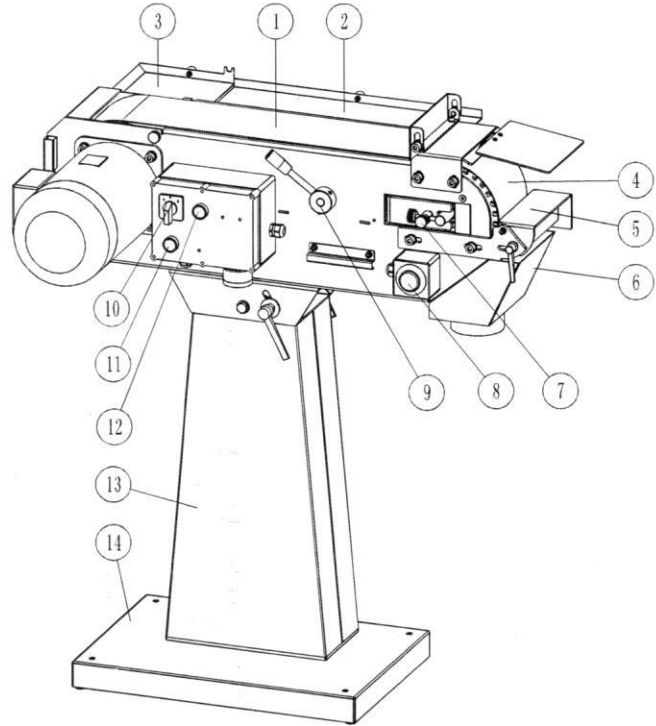
The foils are made of polyethylene (PE) and the filling material of polystyrol (PS). These materials need to be given to a collection point or to the local garbage company.

4.3 Storage

The machine has to be cleaned thoroughly, before you store it in a dry, clean and frost-free environment.

5. Description of machine

Pictures in this manual are there to give you the necessary understanding and may deviate from the reality.



ill. 3: Description of machine

1. Plane grinding
2. Protective cover plate A
3. Protective cover plate B
4. The front wheel grinding
5. The workbench
6. Dust collection box
7. Abrasive belt adjustment
8. Emergency stop
9. Abrasive belt replacement
10. High and low speed conversion (Three-phase two-speed motor)
11. Stop button
12. Start button
13. Equipment pillar
14. Equipment base

6. Mounting and start-up



ATTENTION!

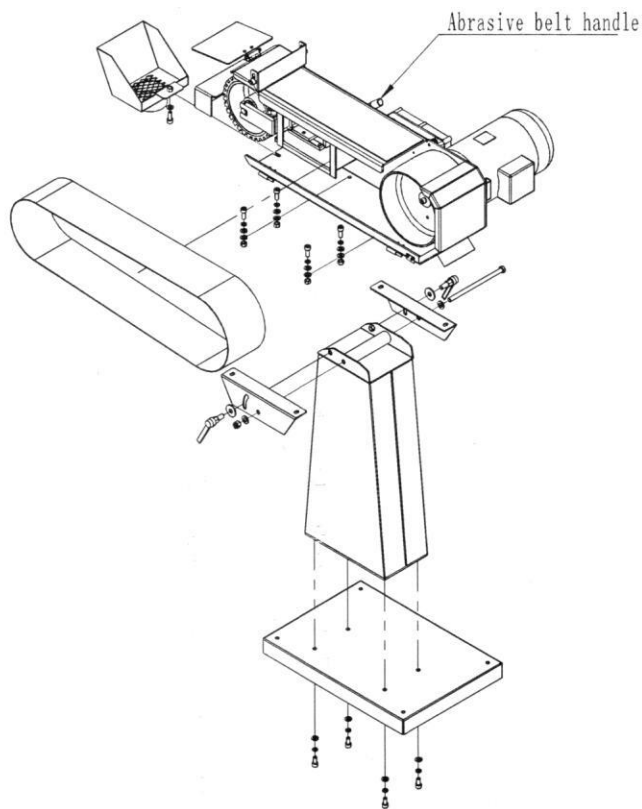
Before you erect the machine, you have to check the bearing capacity of the floor. The place where the machine will be placed has to be able to carry the weight of the machine and the materials to be grinded.

In order to get a good working capacity of the machine as well as to reach a long working life, the place of working should come up to the following demands:

- The machine may only be placed and operated in a dry, ventilated space.
 - Do not place the machine in the neighbourhood of dust- and chips producing machines.
 - The place of erection should be free of vibrations, so away from presses, planers etc.
 - The floor has to be suitable for the work.
- Pay attention to bearing capacity and levelness of the floor
- Protruding parts, like f.i. stop plate, grips, etc need to be made safe in such away that people are not jeopardized.
 - There should be enough place for operation staff and transport of material.
 - Think also of the accessibility for adjustment and maintenance work.
 - Take care of sufficient light (minimal 300 Lux)

6.1 Mounting

Step 1: Tighten the machine foot with the eight screws on the ground plate.



iii. 4. Mounting of belt sander

Step 2: Install sand belt and close side door.

6.2 Set up

The four mounting points of the machine should be marked and bore holes should be made for anchorages. The machine should be mounted with steel bolts to the floor.



INDICATION!

After the erection take away the lubrication of the white metal parts, which has been put there for reasons of protection.

- Use for this the usual solvents
- No water, no nitrosolvents etc.!

6.3 Electrical connection



DANGER! Danger by voltage!

Danger by voltage! Working on the electrical connection may only be done by electricians



ATTENTION!

The machine will be supplied without power plug.
The electrical connection to the electrical mains and mounting of the power plug may only be done

You should pay attention that;

- The connection has the same marks (voltage, supply frequency, phases) as the engine.
- The voltage of 400 V (16A – fuse) has to be used.

The plug will be connected to the cables L1, L2, L3, PE.

Eventually you can operate this machine to with a fixed connection.



ATTENTION!

After connecting the plug, you have to check the running direction of the engine. Should this be wrong, you have to change the two phases.

6.4 Operation



WARNING! life at risk!

For the operator and other persons there is a serious danger, if they do not observe the following rules.

- The operator is not allowed to work if he is under influence of alcohol, drugs or medicine.
- The operator is not allowed to work, if he is tired or suffers from lack of concentration.
- The belt sander may only be operated by one person. Other persons have to stay at a distance during operation.



Wear ear- and head protection!



Wear safety glasses!



Wear safety gloves!



Wear safety shoes!



Wear safety clothes!

Step 1: Check the belt running and belt tension.

Step 2: Select the desired belt speed.

Step 3: Start the engine, by pushing the green START- button. Turn the safety shield down.

Step 4: After grinding the workpiece.
Press the red button and pull of the plug.



ATTENTION!

Before you make your selection, pipe notcher or belt grinder, the machine has to be switched off and stand still.

7. Maintenance and repair



Information and advices

In order to keep the machine always in an excellent condition, you will have to carry out maintenance on a regular basis.



WARNING! Danger in case of unqualified persons!

Insufficient qualified persons cannot estimate the risks during repair work and might expose themselves and others to serious or lethal injury.

All maintenance work may only be done by qualified persons.



DANGER! Life at risk by voltage!

Making contact with electrical parts, is dangerous.

- Before starting with cleaning work, always unplug the machine.
- Connections and repair work on electrical equipment may only be done by qualified personal.



INDICATION!

Check after maintenance and repair work if all covering plates and safety devices have been put back correctly and that no tool has been left inside.

Damaged safety devices and machine parts have to be changed or repaired by a certified work shop.

7.1 Cleaning and lubrication of machine.



ATTENTION!

- Before starting with cleaning or lubricating, always switch off the machine and pull out the plug.
- Never use solvents to clean artificial parts or painted surfaces. The surfaces might dissolve or loosen up and cause a lot of damage.

Clean the belt sander regularly.

Empty the chip container regularly and check if the inside of the grinder should be cleaned.

Take off dust with a broomstick or piece of cloth of all open machine parts.

All painted surfaces should be cleaned with a wet piece of cloth.

Clear metallic working surfaces have to be treated with a rust inhibitor spray.

Lubricate all bearings once a month.

If needed, change the graphite layer on the abrasive wheel.



ATTENTION!

Use only belts with the dimension 2000 mm x 150 mm. Check before installation for your own safety the dimensions of the belt and check it for evt. structural faults. Always select that belt which suits to the material to be grinded.

Choose grinding belts with a weld where the opposite ends are glued together. Grinding belts with the ends glued together on top, can break when changing the belt direction.

- Step 1: Switch off the machine with the main switch and unplug the machine.
- Step 2: Unscrew the safety screw and open the side coverings plate by turning the lever.
- Step 3: Turn the cover of the abrasive wheel (2)、(3) backwards.

- Step 4: Release the abrasive belt.
- Step 5: Take out the belt.
- Step 6: Put in a new belt.
- Step 7: Stretch the abrasive belt.
- Step 8: Afterwards close the cover and tighten the safety screw again.

- Step 9: It is recommended, to adjust the band running a bit rough by pushing the belt to the abrasive wheel (1) and turning the adjustment screw (7).
- Step 10: Close the cover of the abrasive wheel and start the machine.
- Step 11: The belt running can now be adjusted by turning the adjustment screw (7). Turn carefully and watch how the belt is doing. If you have reached the right adjustment, you should be seeing the same distance on both sides on the grinding roller.

7.3 Mal functioning, possible causes and solutions



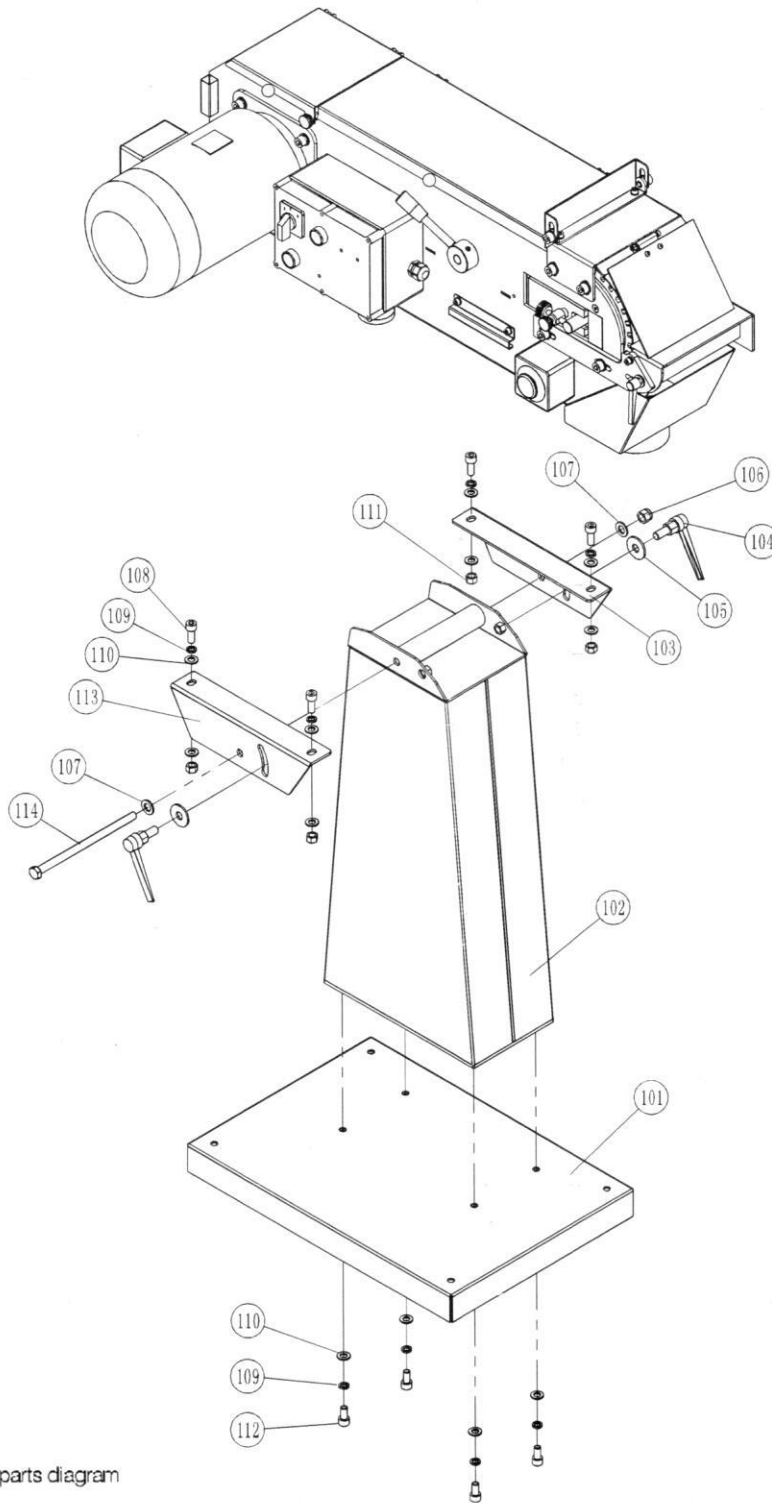
ATTENT ON!

If one of the following faults takes place, stop the machine at once. Before searching for the mistakes, switch off and unplug the machine. All repairs and changes may only be done by qualified and trained staff.

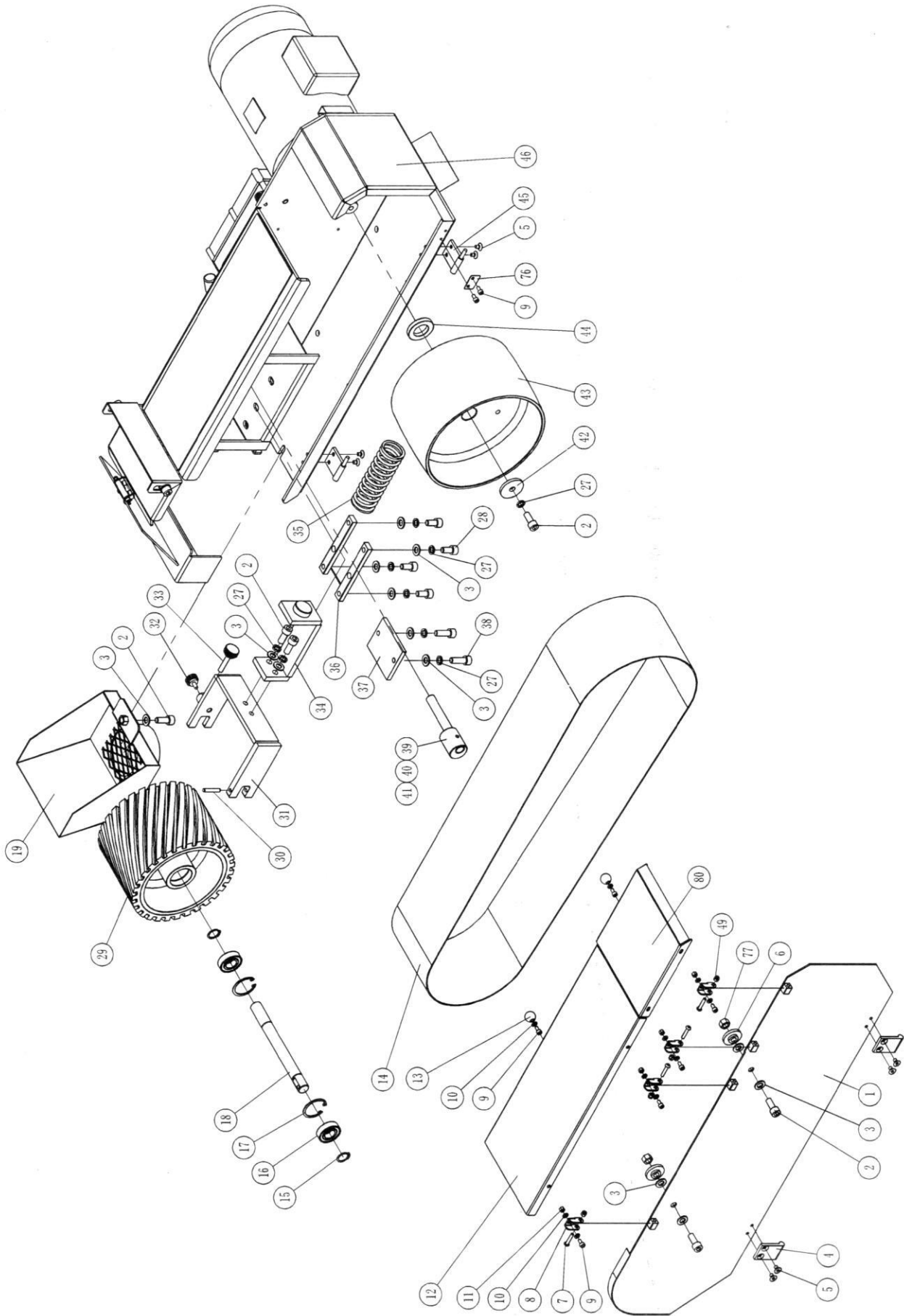
Fault	Possible cause	Solution
Machine does not work	<ol style="list-style-type: none"> 1. Plug not in 2. Cables defect 3. Switch defect 4. Engine defect 	<ol style="list-style-type: none"> 1. Put in the plug 2. Call a service-engineer 3. Call a service-engineer 4. Call a service-engineer
Belt does not run in the center	<ol style="list-style-type: none"> 1. Belt running not correctly adjusted 2. Damage to bearings in grinding roller 	<ol style="list-style-type: none"> 1. Adjust belt running 2. Replace grinding roller
Belt makes contact with the chassis near the abrasive wheel	<ol style="list-style-type: none"> 1. Graphite layer is worn out 	<ol style="list-style-type: none"> 1. Renew the graphite layer
Bad grinding result	<ol style="list-style-type: none"> 1. Wrong belt 2. Belt worn out 	<ol style="list-style-type: none"> 1. Put in the correct belt 2. Change the belt

9.1 Spare parts diagram

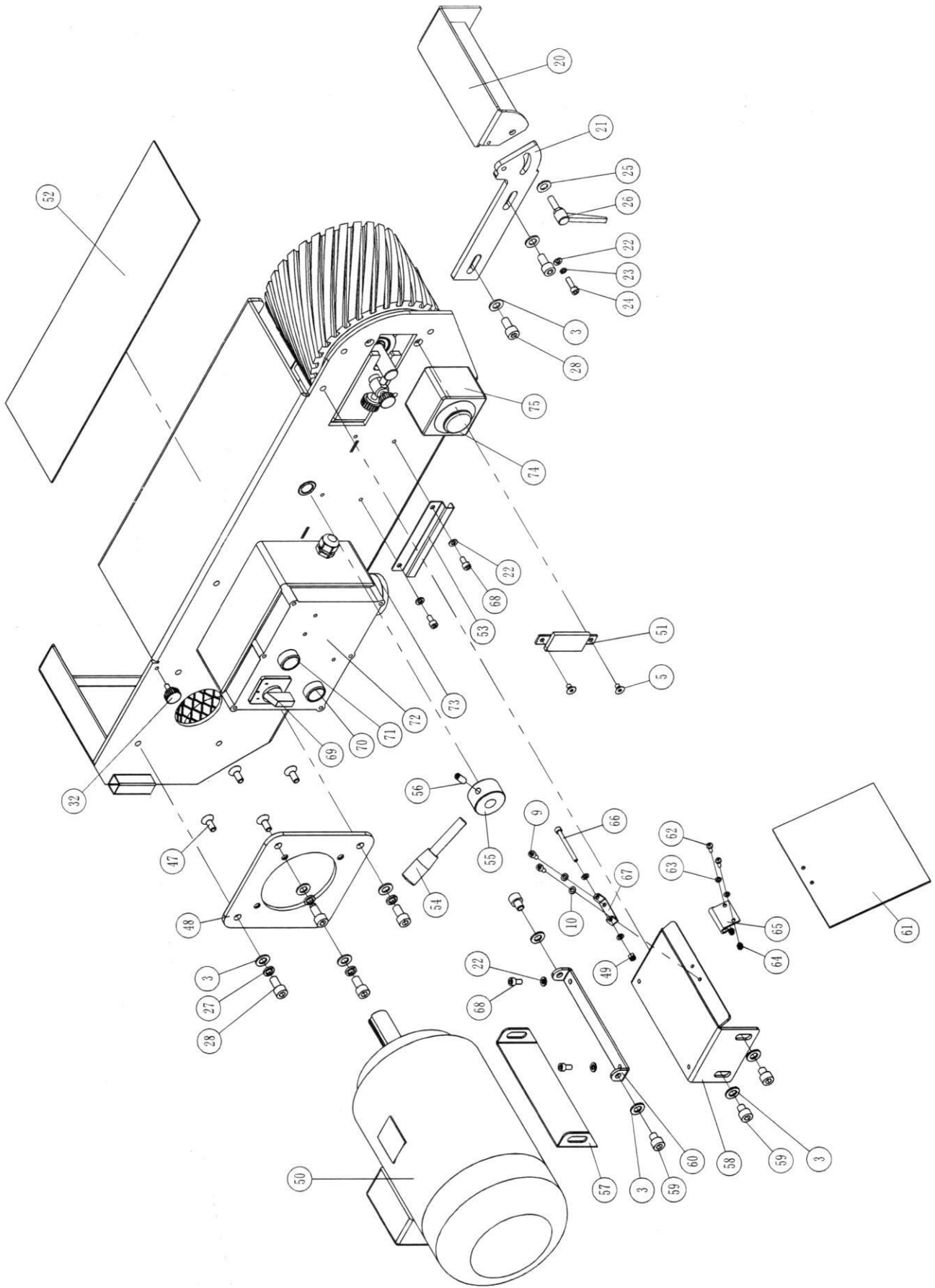
The following diagrams are there to help you, to identify the needed spare parts. If needed, you can make a copy of the diagram with the indicated spare parts and send it to your dealer.



ill. 5 : Spare parts diagram



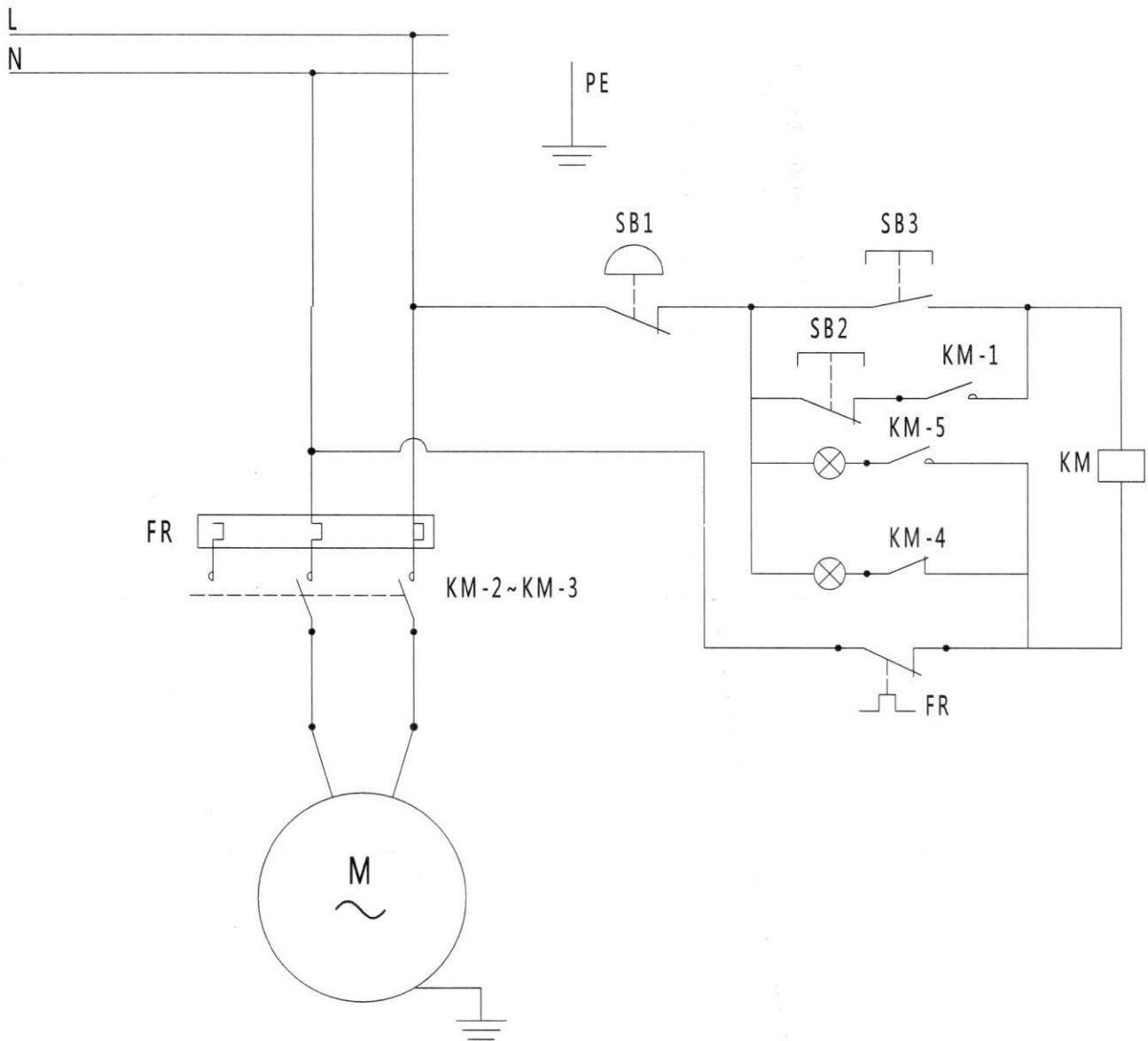
iii. 6: Spare parts diagram 2



10 Wiring diagram

230V 1P 50HZ

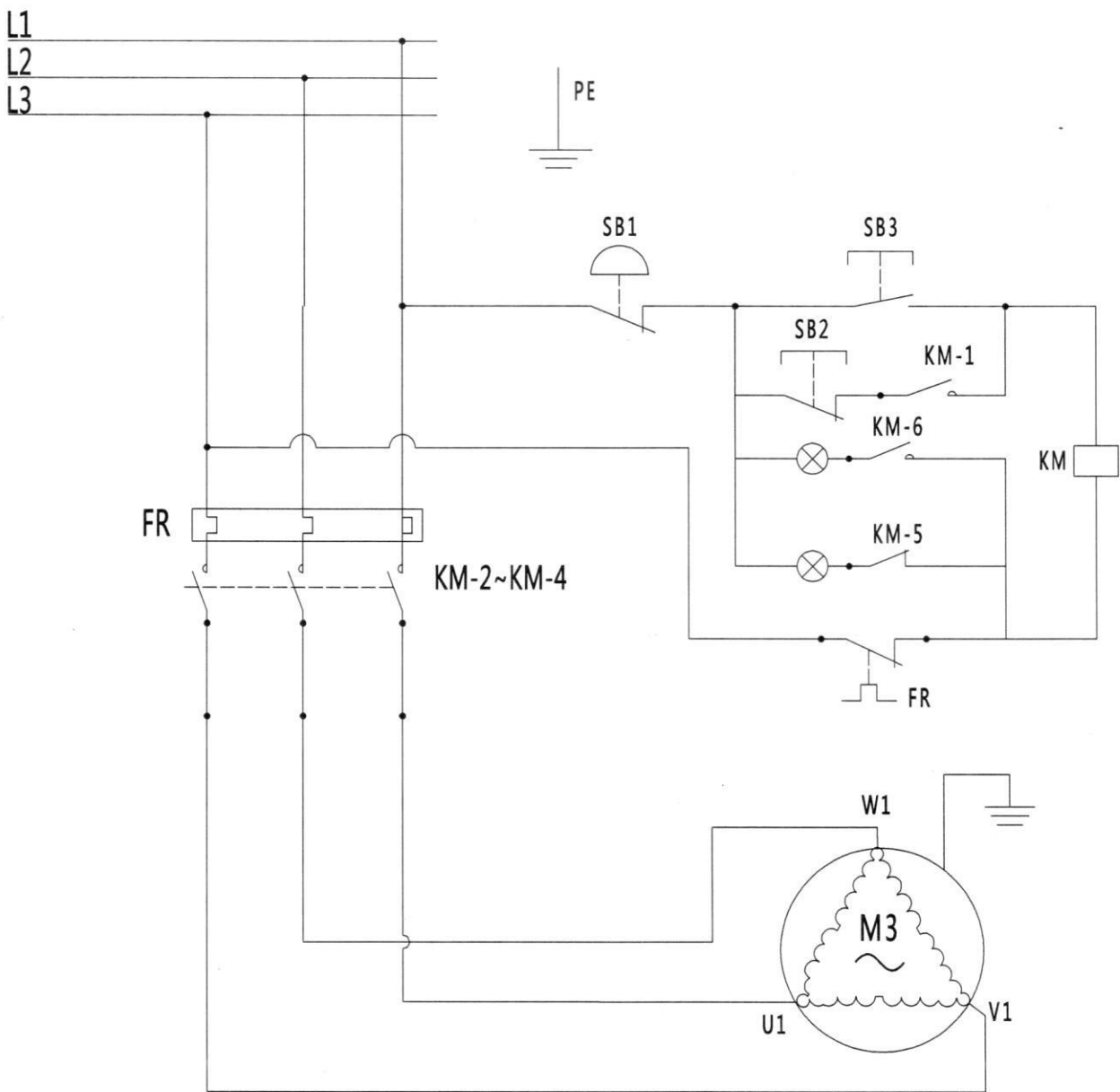
- KM ----- AC Contactor/400V
- FR ----- Thermal Relay
- SB1 ----- Emergency Stop Button
- SB2 ----- Stop Button
- SB3 ----- Start Button



iii. 7: Electrical wiring diagram

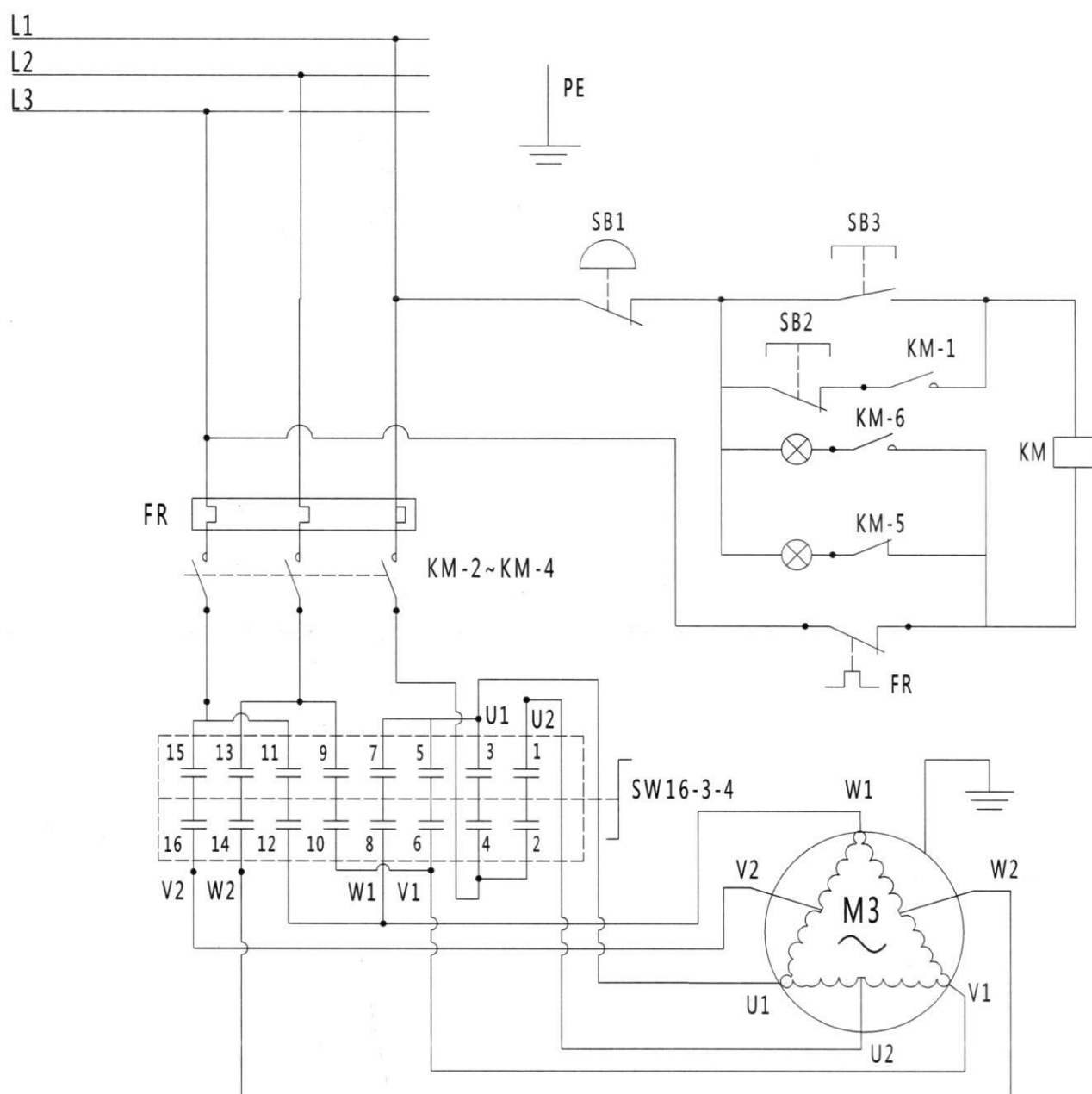
400V 3P 50HZ

- KM ----- AC Contactor/400V
- FR ----- Thermal Relay
- SB1 ----- Emergency Stop Button
- SB2 ----- Stop Button
- SB3 ----- Start Button



400V 3P 50HZ

- SW16-3-4 ---- Low/High Speed Switch
- KM ---- AC Contactor/400V
- FR ---- Thermal Relay
- SB1 ---- Emergency Stop Button
- SB2 ---- Stop Button
- SB3 ---- Start Button



ill. 8: Electrical wiring diagram