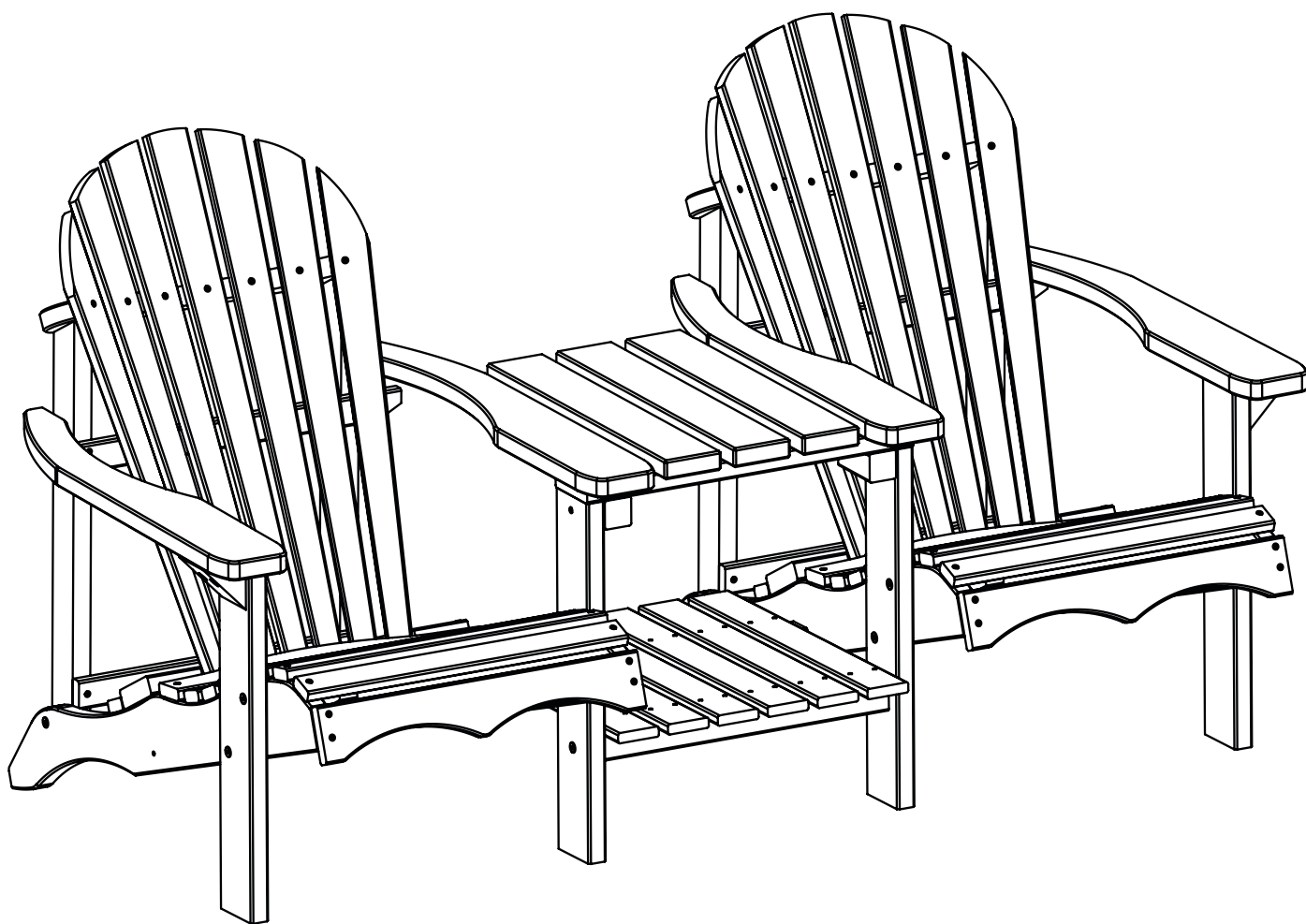


VALERIE DOUBLE CHAIR

Garden bench / Gartenbank / Tuin bank / Banc de jardin / Banco de jardín / Panchina da giardino



Instruction Manual

Gebrauchsanweisung

Gebruikshandleiding

Mode d'emploi

Manual de usuario

Istruzione per l'uso



WARNING!

EN – WARNING

CHOKING HAZARD Small parts. Not suitable for children under 36 months. THE PRODUCT IS TO BE ASSEMBLED BY AN ADULT. Potential hazard description, e.g. In unassembled state contain potentially hazardous sharp points, so please keep out of baby's reach. Only for domestic use. Retain for future reference.

DE – WARNUNG

VERSCHLUCKUNGSGEFAHR Kleine Teile. Für Kinder unter 3 Jahren nicht geeignet. DAS PRODUKT IST VON EINEM ERWACHSENEN ZUSAMMENGEBAUT WERDEN. Beschreibung potenzieller Gefahr, z.B. in nicht zusammengesetztem Zustand enthält es potenziell gefährliche scharfe Spitzen, daher von Babys fernhalten! Nur für den häuslichen Gebrauch. Diese Informationen aufheben.

NL – WAARSCHUWING

VERSTIKKINGSGEVAAR Kleine onderdelen. Niet geschikt voor kinderen onder de 36 maanden. HET PRODUCT MOET DOOR EEN VOLWASSENE GEMONTEERD WORDEN. Beschrijving potentieel gevaar, bv in ongemonteerde toestand bevat het potentieel gevaarlijke punten, zorg ervoor dat baby's er niet bij kunnen. Alleen geschikt voor particulier gebruik. Bewaar deze informatie.

FR – AVERTISSEMENT

RISQUE D'ÉTOUFFEMENT Petit matériel. Ne convient pas pour les enfants de moins de 36 mois. LE PRODUIT DOIT ÊTRE ASSEMBLÉ PAR UN ADULTE. Description de risque potentiel, par exemple, Démonté, contient des pointes potentiellement dangereuses. À conserver hors de portée des enfants en bas âge. Convient uniquement pour l'utilisation. Conserver pour une consultation ultérieure.

ES – ADVERTENCIA

PELIGRO DE ASFIXIA Piezas pequeñas. No adecuado para menores de 36 meses. EL PRODUCTO DEBE SER MONTADO POR UN ADULTO Descripción de posible peligro, p. ej.: El producto desmontado contiene posibles puntos afilados, así que debe mantenerse fuera del alcance del bebé Sólo para uso doméstico. Conservar para futuras consultas.

IT – AVVERTENZA

PERICOLO DI SOFFOCAMENTO Componenti di piccole dimensioni. Non adatto per bambini di età inferiore a 36 mesi. IL GIOCATTOLO DEVE ESSERE MONTATO DA UN ADULTO. Descrizione dei rischi potenziali, ad es. in condizioni smontate contiene parti acuminata potenzialmente pericolose; tenere quindi fuori dalla portata del bambino. Esclusivamente per uso domestico. Conservare per riferimento futuro.

BG - ПРЕДУПРЕЖДЕНИЕ

Опасност от задушаване Малки части. Не е подходящ за деца под 36 месеца. ПРОДУКТЪТ ТРЯБВА ДА СЕ СГЛОБЯВА ОТ ВЪЗРАСТЕН. Описание на потенциалната опасност, напр. В неслобено състояние съдържа потенциално опасни остри върхове, затова моля, дръжте го на недостъпно за бебето място. Само за домашна употреба. Запазете за бъдеща справка.

CZ - VAROVÁNÍ

NEBEZPEČÍ UDUSENÍ Malé části. Nevhodné pro děti mladší 36 měsíců. VÝROBEK MUSÍ SESTAVIT DOSPĚLÁ OSOBA. Popis možného nebezpečí, např. V nesloženém stavu obsahují potenciálně nebezpečné ostré hroty, proto je prosím držte mimo dosah dítěte. Pouze pro domácí použití. Ušchovávejte pro budoucí použití.

DK - ADVARSEL

kvælningssfare Små dele. Ikke egnet til børn under 36 måneder. PRODUKTET SKAL SAMLES AF EN VOKSEN. Beskrivelse af potentielt fare, f.eks. i samlet stand indeholder potentielt farlige skarpe spidser, så hold det venligst uden for barnets rækkevidde. Kun til husholdningsbrug. Opbevares til fremtidig brug.

EE - HOIATUS

HUKUMISE OHT Väikesed osad. Ei sobi alla 36 kuu vanustele lastele. TOOTE PEAB KOKKU PANEMA TÄISKASVANU. Võimaliku ohu kirjeldus, nt kokkupanemata olekus sisaldavad potentsiaalselt ohtlikke teravaid otsikuid, seega hoidke neid lapse käeulatuses eemal. Ainult koduseks kasutamiseks. Säilitada edaspidiseks kasutamiseks.

FI - VAROITUS

Tukehtumisvaara Pienet osat. Ei sovellu alle 36 kuukauden ikäisille lapsille. TUOTE ON KOOTTAVA AIKUISEN TOIMESTA. Mahdollisen vaaran kuvaus, esim. Kokoonpanemattomassa tilassa on mahdollisesti vaarallisia teräviä kohtia, joten pidä ne poissa lapsen ulottuvilta. Vain kotikäyttöön. Säilytä myöhempää käyttöä varten.

HU - FIGYELMEZTETÉS

Fuldoklási veszély Apró alkatrészek. Nem alkalmas 36 hónaposnál fiatalabb gyermekek számára. A TERMÉKET FELNŐTTEK KELL ÖSSZESZERELNIE. Potenciális veszély leírása, pl. Össze nem szerelt állapotban potenciálisan veszélyes éles pontokat tartalmaz, ezért kérjük, tartsa távol a gyermekektől. Kizárólag háztartási használatra. Őrizze meg a későbbi használatra.

LT - ĮSPĖJIMAS

UŽDUSIMO PAVOJUS Smulkios dalys. Netinka jaunesniems nei 36 mėnesių vaikams. GAMINĮ TURI SURINKTI SUAUGUSIEJI. Galimo pavojaus aprašymas, pvz. Nesurinkto gaminio sudėtyje yra potencialiai pavojingų aštrių smailių, todėl laikykite taip, kad jis būtų nepasiekiamas kūdikiui. Skirta naudoti tik butyje. Pasilikite ateičiai.

LV - BRĪDINĀJUMS

Aizrīšanās briesmas Mazas detaļas. Nav piemērots bērniem līdz 36 mēnešu vecumam. IZSTRĀDĀJUMS JĀSALIEK PIEAUGUŠĀJAM. Iespējamā apdraudējuma apraksts, piemēram, nesamontētā veidā satur potenciāli bīstamus asus galus, tāpēc turiet tos bērnam nepieejamā vietā. Tikai lietošanai mājas apstākļos. Saglabājiet turpmākai lietošanai.

NO – ADVARSEL

KVELINGSFARE Små deler. Ikke egnet for barn under 36 måneder. PRODUKTET SKAL MONTERES AV EN VOKSEN. Potensiell farebeskrivelse, f.eks. I umontert tilstand inneholder potensielt farlige skarpe punkter, så hold deg unna babyens rekkevidde. Kun til husholdningsbruk. Oppbevar for fremtidig referanse PL Polen Poland

PT - ADVERTÊNCIA

PERIGO DE ESCOLHIMENTO Peças pequenas. Não adequado para crianças menores de 36 meses. O PRODUTO DEVE SER MONTADO POR UM ADULTO. A descrição do perigo potencial, por exemplo, em estado não montado contém pontos afiados potencialmente perigosos, portanto, mantenha-se fora do alcance do bebê. Somente para uso doméstico. Manter para referência futura.

SI - OPOZORILO

Nevarnost zadušitve Majhni deli. Ni primerno za otroke, mlajše od 36 mesecev. IZDELEK MORA SESTAVITI ODRASLA OSEBA. Opis potencialne nevarnosti, npr. V nesestavljenem stanju vsebuje potencialno nevarne ostre točke, zato jih hranite izven dosega otroka. Samo za domačo uporabo. Ohranite za poznejšo uporabo.

SK - VAROVANIE

NEBEZPEČENSTVO UDUSENIA Malé časti. Nevhodné pre deti mladšie ako 36 mesiacov. VÝROBOK MUSÍ ZOSTAVIŤ DOSPELÁ OSOBA. Popis potenciálneho nebezpečenstva, napr. V nezmontovanom stave obsahujú potenciálne nebezpečné ostré hroty, preto ich držte mimo dosahu dieťaťa. Určené len na domáce použitie. Ušchovajte pre budúce použitie.

TR - UYARI

BOĞULMA TEHLİKESİ Küçük parçalar. 36 aydan küçük çocuklar için uygun değildir. ÜRÜN BİR YETİŞKİN TARAFINDAN MONTE EDİLMELİDİR. Potansiyel tehlike açıklaması, örn. monte edilmemiş durumda potansiyel olarak tehlikeli keskin noktalar içerir, bu nedenle lütfen bebeğin erişemeyeceği bir yerde saklayın. Sadece evde kullanım içindir. İleride başvurmak için saklayın.

UA - ПОПЕРЕДЖЕННЯ

НЕБЕЗПЕКА УДУШЕННЯ Дрібні деталі. Не підходить для дітей до 36 місяців. ВИРІБ ПОВИНЕН ЗБИРАТИСЯ ДОРОСЛИМ. Опис потенційної небезпеки, наприклад, у розібраному стані містить потенційно небезпечні гострі кути, тому, будь ласка, зберігайте в місцях, недоступних для дітей. Тільки для домашнього використання. Зберігайте для подальшого використання.

SE - VARNING

KOKNINGSRISK Små delar. Inte lämplig för barn under 36 månader. PRODUKTEN SKA MONTERAS AV EN VUXEN. Beskrivning av potentiell fara, t.ex. I osamlat skick innehåller produkten potentiellt farliga vassa spetsar, så håll den utanför barnets räckhåll. Endast för hushållsbruk. Behåll den för framtida referens.

RO – AVERTISMENT

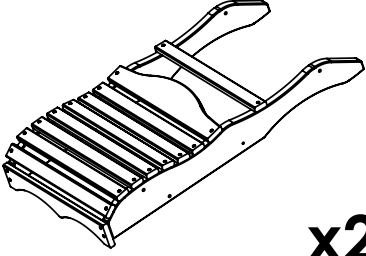
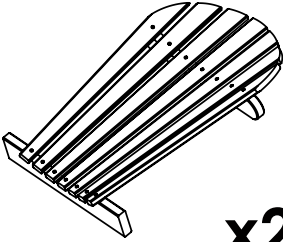
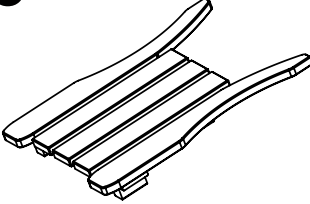
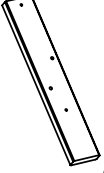
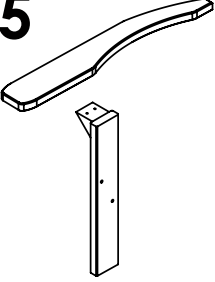
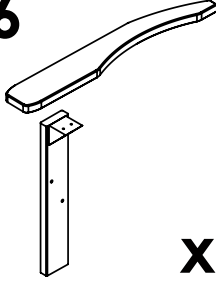
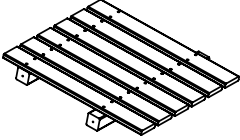
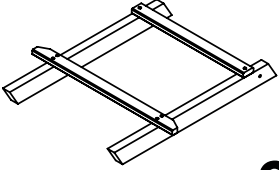

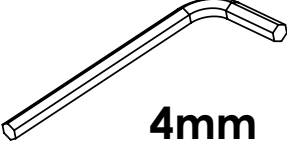
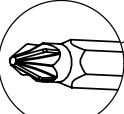
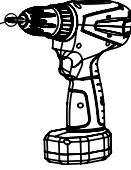
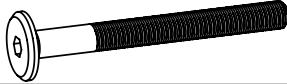

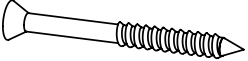
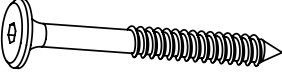
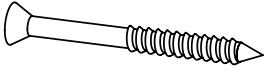
Pericol de sufocare Piese mici. Nu este potrivit pentru copii sub 36 de luni. PRODUSUL TREBUIE ASAMBLAT DE CĂTRE UN ADULT. Descrierea pericolului potențial, de exemplu: În stare neasamblată conține vârfuri ascuțite potențial periculoase, deci vă rugăm să nu lăsați la îndemâna copilului. Numai pentru uz casnic. Păstrați pentru referințe viitoare.

EL - ΠΡΟΕΙΔΟΠΟΙΗΣΗ

ΚΙΝΔΥΝΟΣ ΠΝΕΥΜΑΤΙΣΜΟΥ Μικρά μέρη. Ακατάλληλο για παιδιά κάτω των 36 μηνών. ΤΟ ΠΡΟΪΟΝ ΠΡΕΠΕΙ ΝΑ ΣΥΝΑΡΜΟΛΟΓΕΙΤΑΙ ΑΠΟ ΕΝΗΛΙΚΑ. Περιγραφή πιθανού κινδύνου, π.χ. Σε μη συναρμολογημένη κατάσταση περιέχουν δυνητικά επικίνδυνα αιχμηρά σημεία, γι' αυτό παρακαλούμε να τα κρατάτε μακριά από το μωρό. Μόνο για οικιακή χρήση. Διατηρήστε το για μελλοντική αναφορά.

VALERIE DOUBLE CHAIR

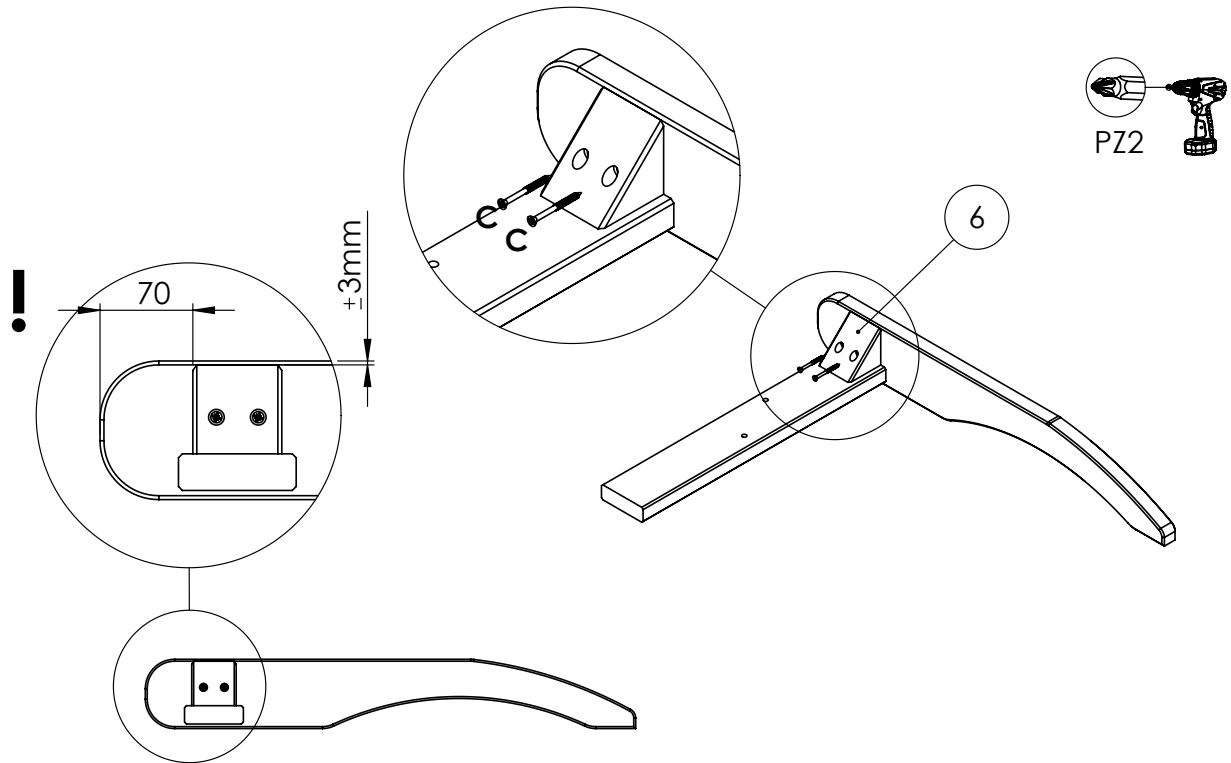
Parts

1		x2	2		x2	3		x1	4		x2
5		x1	6		x1	7		x1	8		x2
9		x1	 4mm   PZ2								
A				M6x55						x12	
B				M6						x12	
C				4x50						x18	
D				6x60						x4	
E				5x50						x4	

VALERIE DOUBLE CHAIR

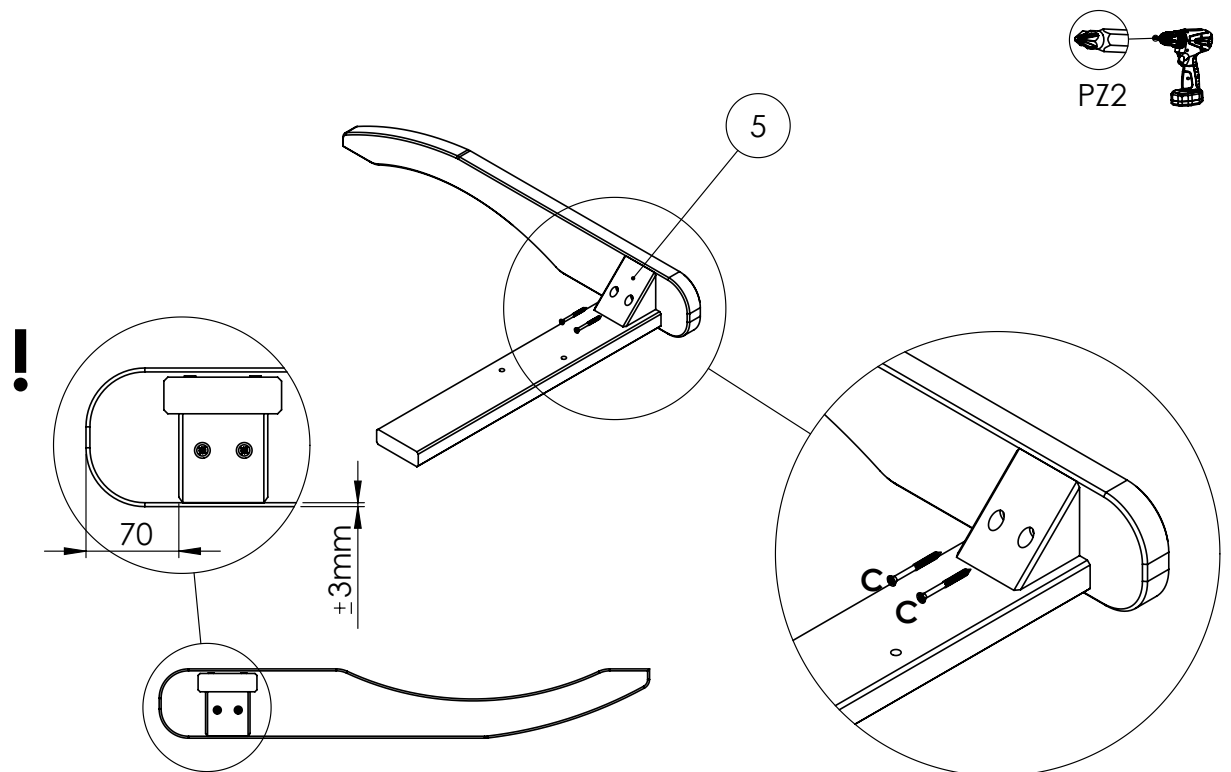
Assembly

1



C		5x50	x2
---	---	------	----

2

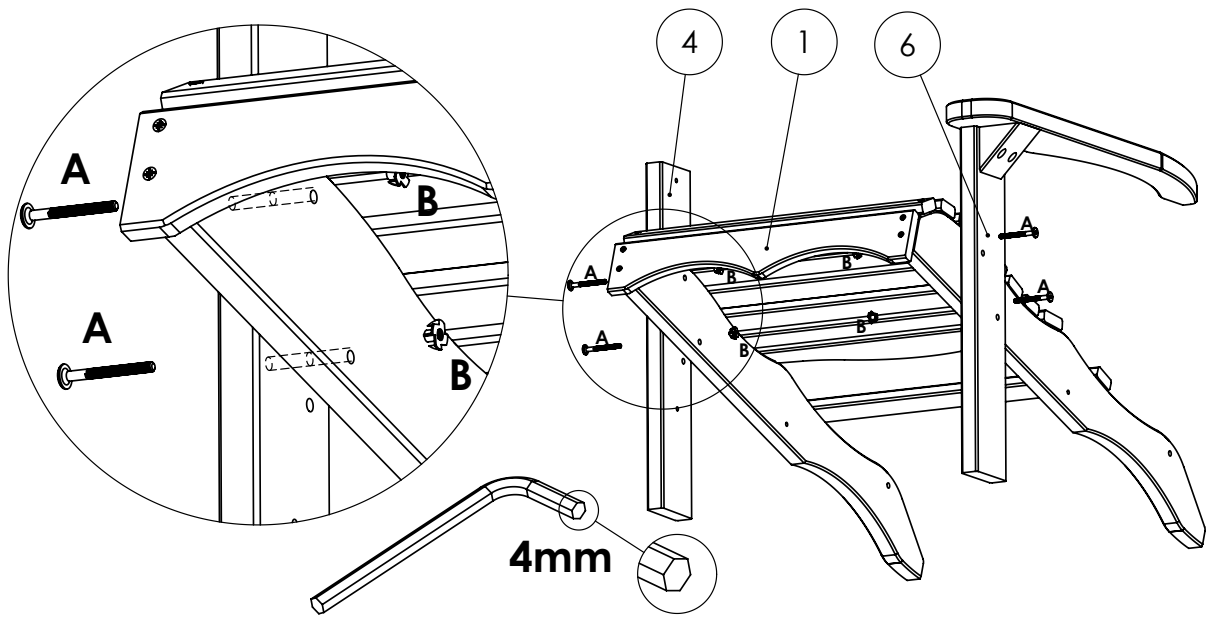




C		5x50	x2
---	---	------	----

VALERIE DOUBLE CHAIR

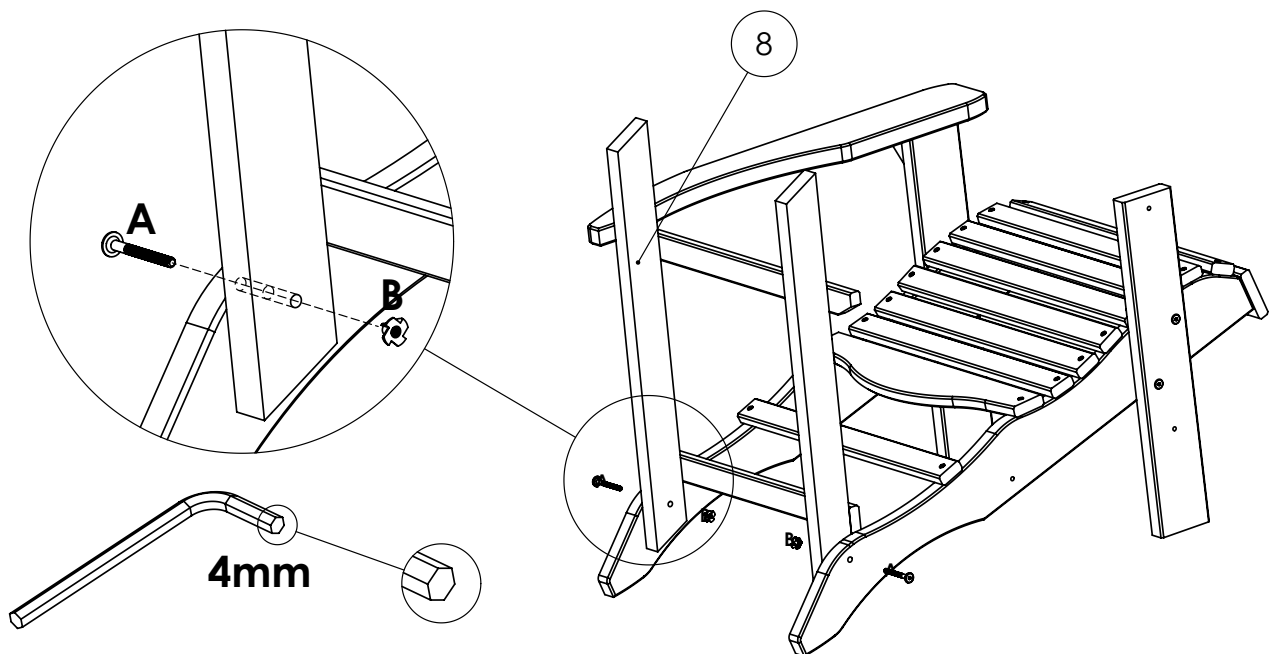
Assembly



3



A		M6x55	x4
B		M6	x4

4

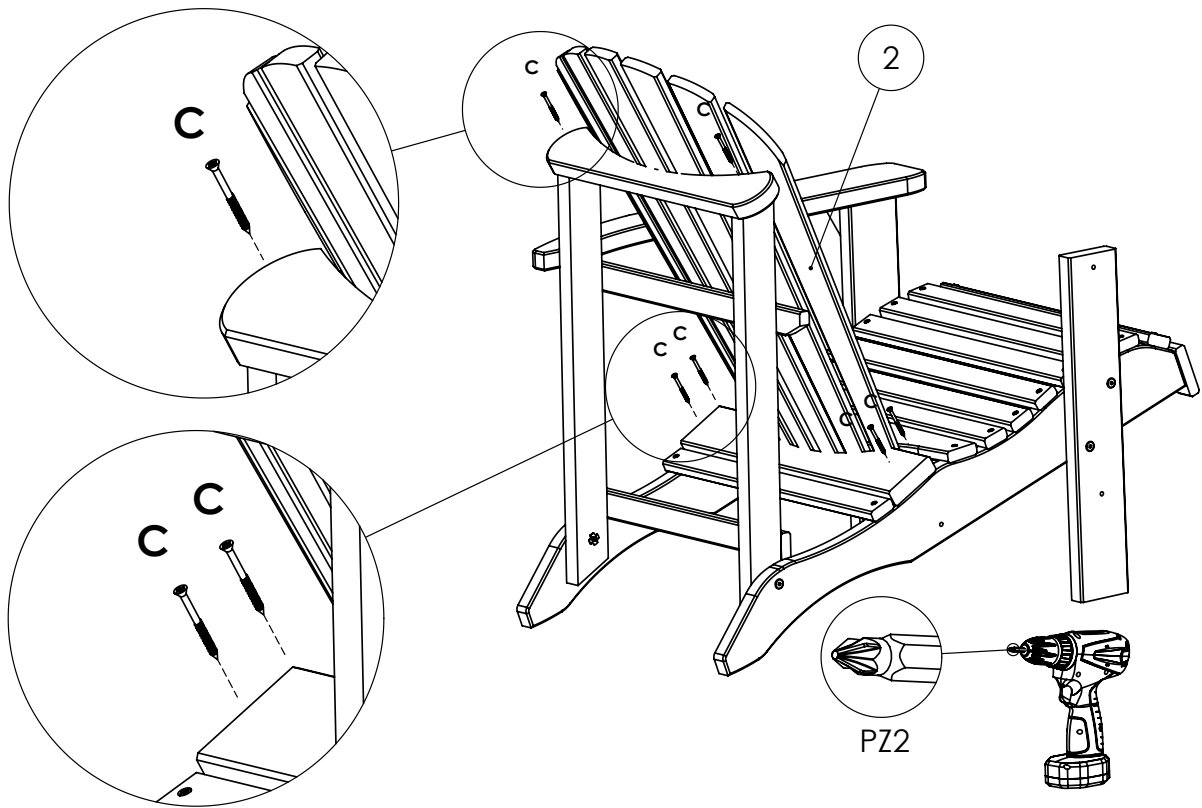


A		M6x55	x2
B		M6	x2

VALERIE DOUBLE CHAIR

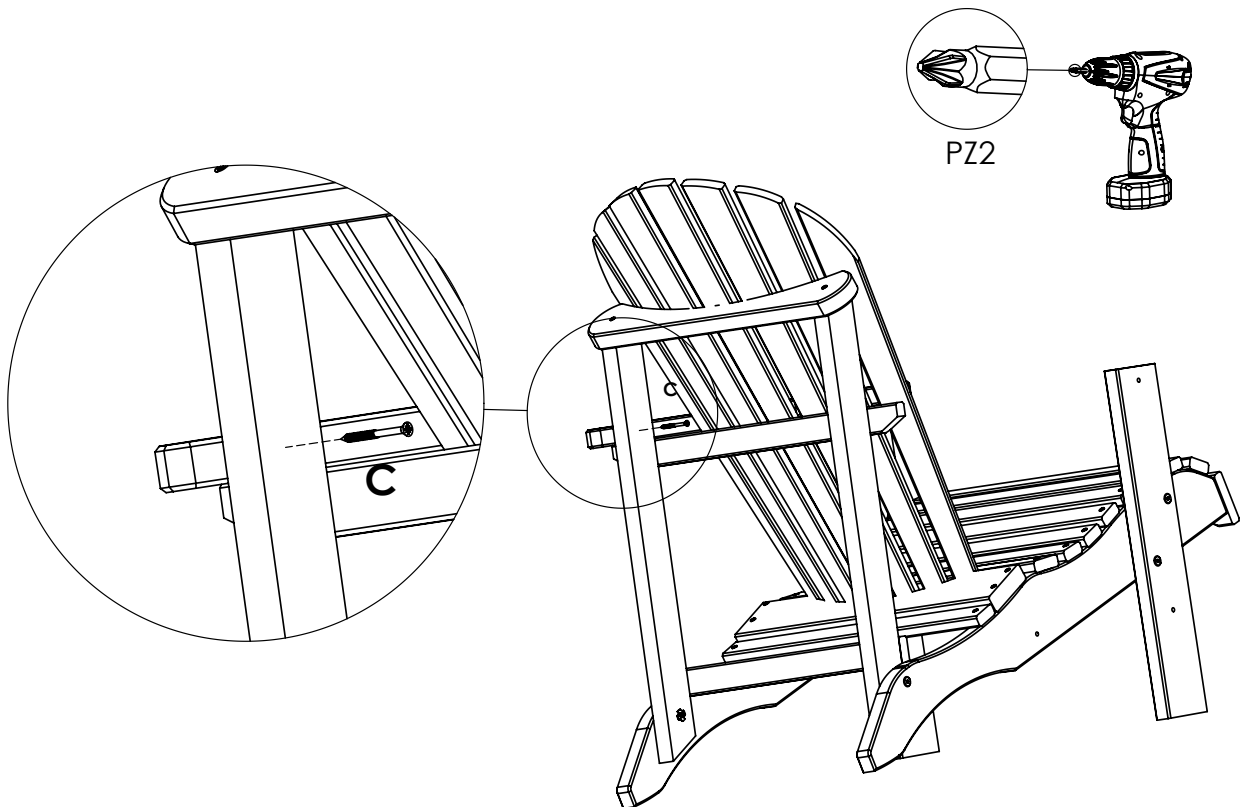
Assembly

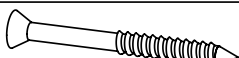
5



C		4x50	x6
---	---	------	----

6

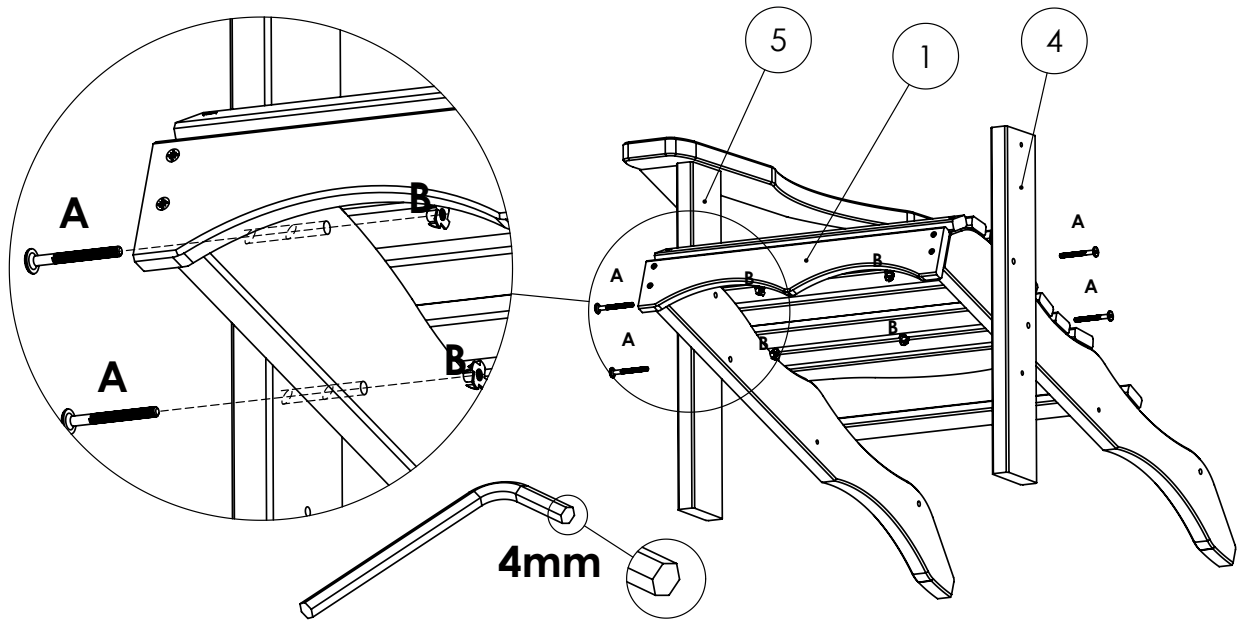




C		4x50	x1
---	---	------	----

VALERIE DOUBLE CHAIR

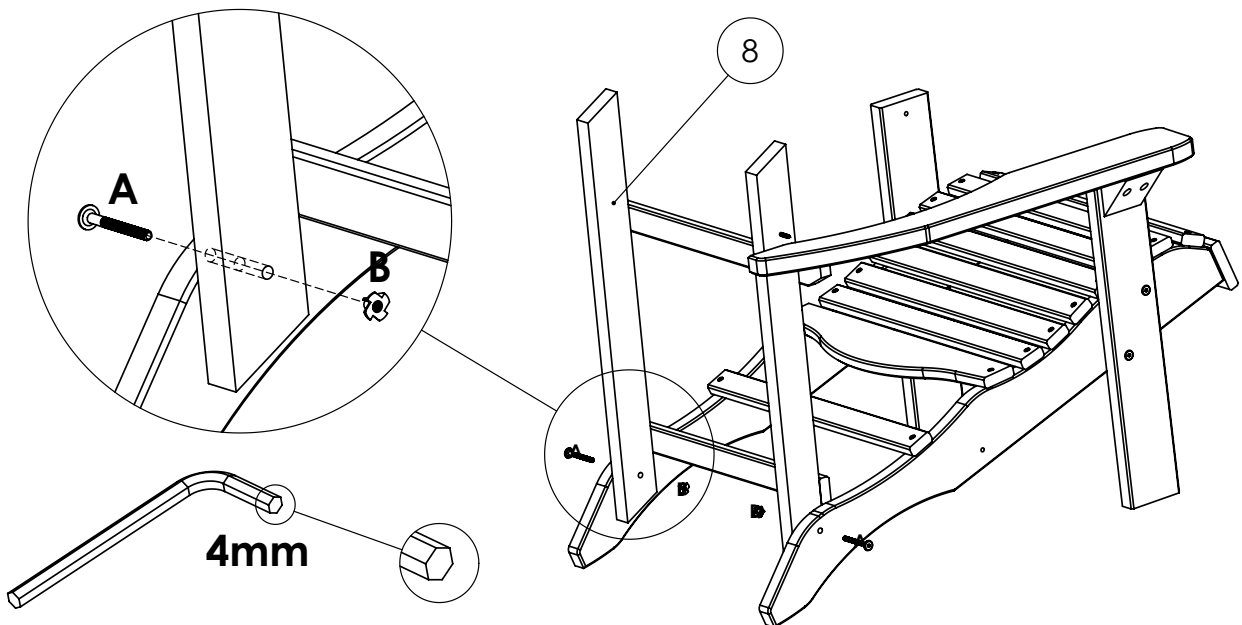
Assembly



7



A		M6x55	x4
B		M6	x4

8

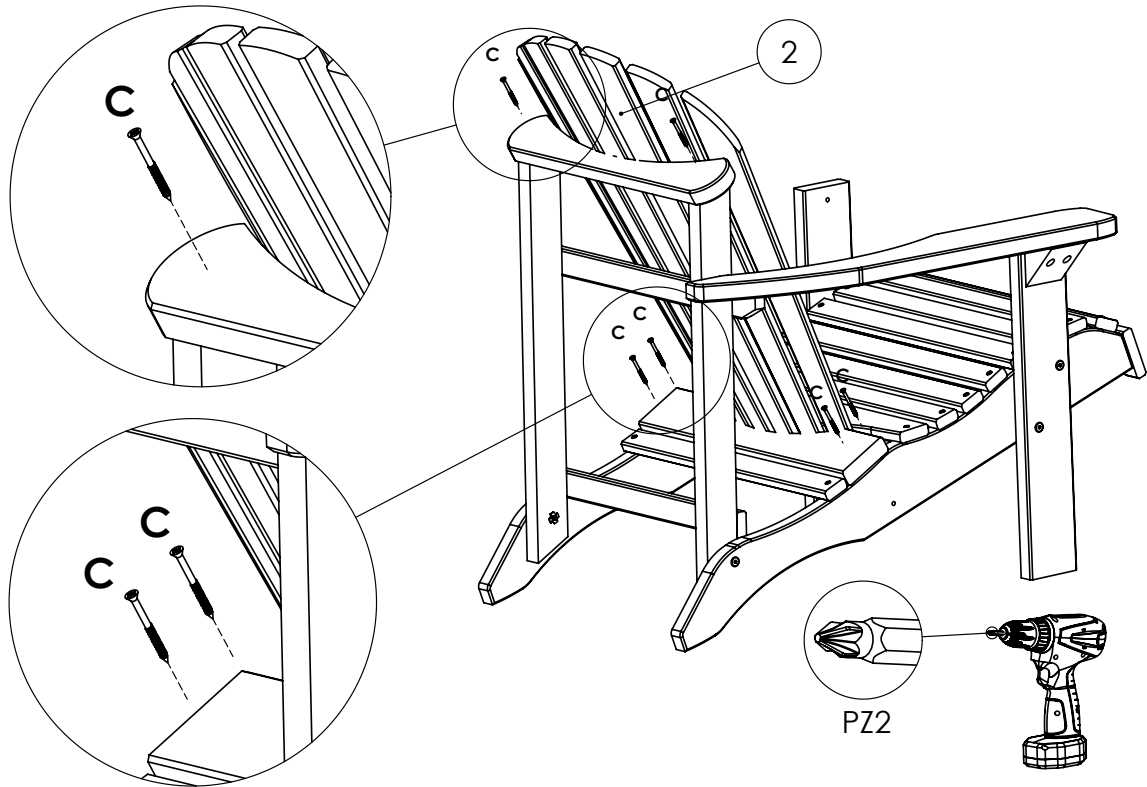


A		M6x55	x2
B		M6	x2

VALERIE DOUBLE CHAIR

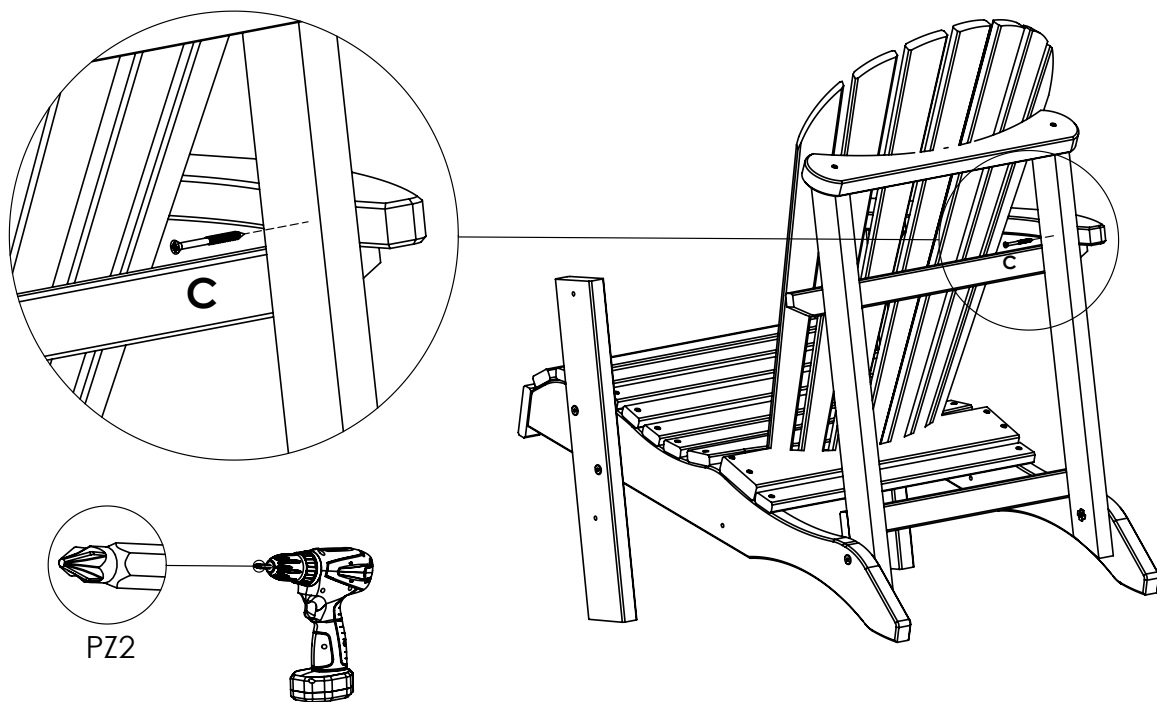
Assembly

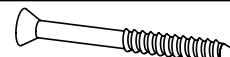
9



C		4x50	x6
---	---	------	----

10

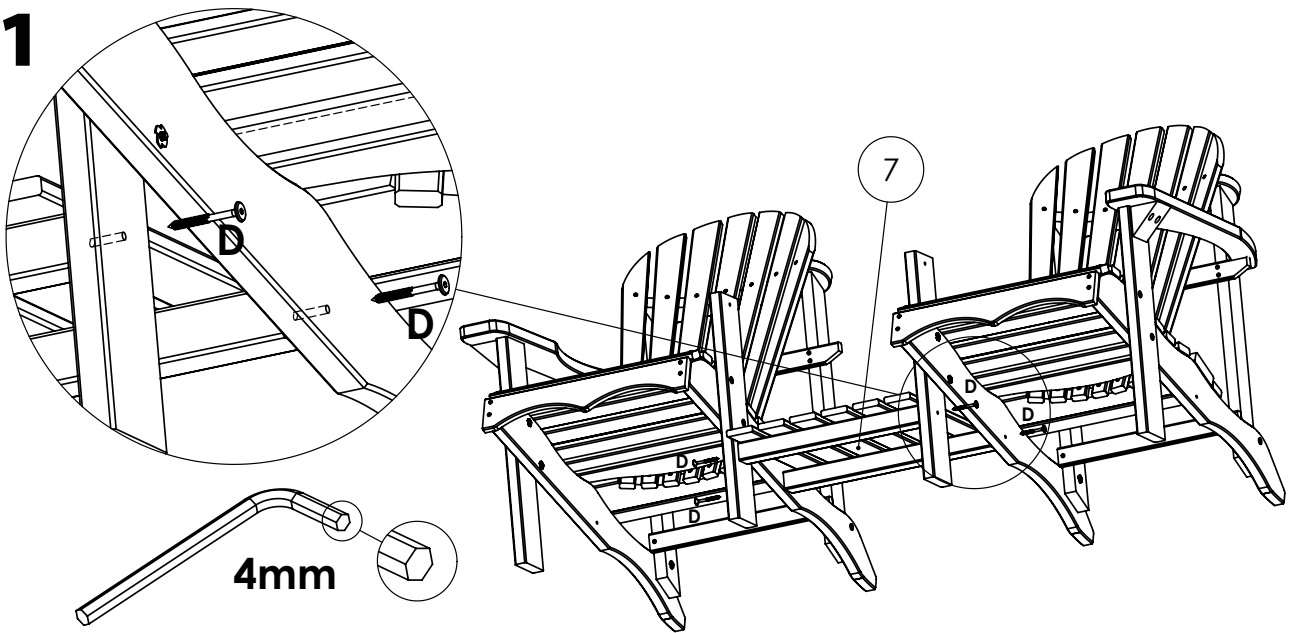


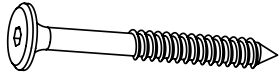
C		4x50	x1
---	---	------	----

VALERIE DOUBLE CHAIR

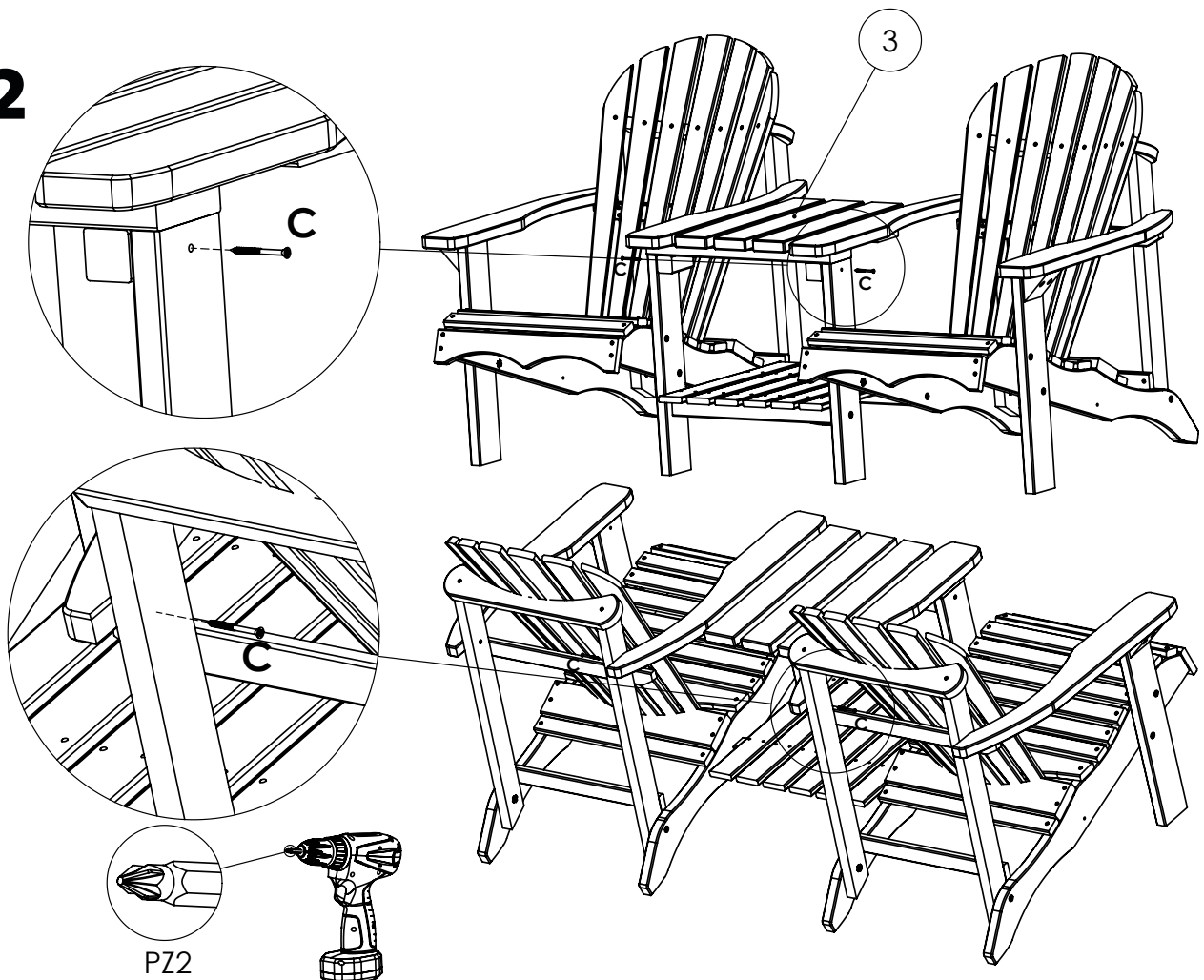
Assembly

11



D		6x60	x4
----------	---	-------------	-----------

12



C		4x50	x4
----------	---	-------------	-----------

VALERIE DOUBLE CHAIR

ENGLISH

Safety

For domestic use only. When assembling and using - always use on firm level ground. Periodic structural checks of this product should be undertaken, do not use if you have any doubts its fitness for purpose. Do not sit or stand on the product and any place. This furniture must be set up by a competent adult.

During assembly, tighten all screws, bolts, and nuts loosely. Tighten them up securely only at the end of assembly, after all parts have been assembled. Make sure you strengthen the products to the ground or base surface to protect them from harsh winds and unexpected storms. Lighter products, including garden sheds with board thickness 12-19mm can be blown away in very strong winds if not secured.

At the beginning of the season

Check to ensure that all components and fixings of this product are secure, do not use if you have any doubts about its fitness for purpose.

At the end of the season

This product should be stored under cover during prolonged spells of adverse weather (wet or cold) and also during the winter (ideally in a garden shed or garage).

Always clean and dry thoroughly before storage.

Care instruction of wooden surfaces

Wood is a natural material whose appearance will deteriorate when left outside. Wood should be regularly impregnated or treated. Ask for advice in your local DIY store.

Care and maintenance of furniture

Wipe clean with a mild soapy solution. Wipe dry with a clean and dry cloth. To ensure that you receive maximum pleasure from your new product, it is very important for you to read this instruction. Please note, that quality guarantee of AXI is only valid when this maintenance instruction has been followed carefully.

For you to know:

Impregnated products can smear. This will disappear after a short time. The colour on pressure treated products can vary from board to board can be lighter or darker than colour on labels or photos, this is the natural characteristics of wood and perfectly normal. Discolouration from impregnant salt or sometimes mould can accrue on the product.

Vacuum impregnated products

TREATED WOOD CONTAINING A BIOCIDAL PRODUCT Celcure® C65 preserved wood is protected against wood destroying insects and wood rotting fungi

Active Ingredients: Basic Copper Carbonate, DDACHloride and DDACarbonate.

Stained products

PROTIM AQUATAN ES5 is a coloured, water-based concentrate which is diluted with water. It is a decorative finish which colours the wood. Protim Aquatan ES5 treated wood is not protected against wood destroying insects or wood decaying fungi. Preservative treatment is required to protect against these organisms.

Active Ingredients: 3-iodo-2-propynyl butylcarbamate, propiconazole.

Treated timbers which are no longer usable may be disposed of in accordance with national and local regulations.

Product for life Our products are produced from durable Northern pine and spruce. If well maintained, our picnic table can serve you the time

which takes new tree to grow.

All products, when necessary, comes with part assembly kit and simple step-by-step assembly instruction.

How do you keep your product beautiful for many years to come? Always clean the product with mild soap solution and dry with clean, dry cloth. If you spill the liquid, always wipe it off as quickly as possible.

Not painted products will start to turn grey, regardless of colour of the treatment at the time of purchase. This is the natural beauty of wood, which shows that it changes and moves on even after turned into the product. If you want to paint, paint, or otherwise treat the product - consult at the nearest retail outlet, where experts will recommend the most suitable paint or wood treatment product. If you have bought painted product - first maintenance, depending on weather conditions, is only required after 3-5 years. Frequency of maintenance depends on the weather impacts and location of the product. Keep metal parts of your product well oiled. Oil them at least once a year or when necessary.

If you have bought stained product - first maintenance, depending on weather conditions, is required after 1-2 years. Frequency of maintenance depends on the weather impacts and location of the product. Stained products are not protected against wood destroying insects or wood decaying fungi. The stain does not penetrate the wood and depending on the weather conditions can wash down on flat product surfaces. If this happens, consult your nearest DIY store to get the best advice on further domestic treatment.

If you have bought untreated (natural) product, treat the surface with antiseptic, anti-mould agent during installation. Consult your nearest DIY for treatment agents available. Further treatments depend on the treatment you will use first time. Treatment agent or paint must be applied to each part separately. If you are painting or treating factory assembled panel; with any other colouring, please take into the account, that during drying, unpainted parts of wood will appear. This will not be considered as claim. In time, mould can appear on naturally bought products, even after home treatment. Keep metal parts of your product well oiled. Oil them at least once a year or when necessary.

Tips Assembly

Assemble according to the instructions supplied with the product. Always assemble your product on flat, even surface and always according to the instruction. During the assembly, loosely fit the screws at first, fastening then tight only when fully assembled. Check furniture fittings at least once a year - the screws may require tightening.

Storage

Keeping wooden outdoor products under the shades, will maximise the life of the product.

We recommend you cover the furniture if it is to be left outside in the elements if you do not have a shaded area when not in use. If you cannot cover it- tilt your product so that any water can drain away. Store in a cool dry place when not in use. Make sure air can circulate to avoid moisture and mould.

Mould

Mould or mildew is a type of fungus that thrives in the damp climate. It loves nothing more than growing on your nice wooden garden furniture. Timber is especially prone to mildew. Of you spot any mould, simply clean it off with mild soap solution and dry with clean, dry cloth. Raw wood may have dotted, or striped stains caused by the blue mushroom. Use a primer (in first year, use only transparent) for wood treatment that protects the wood from blue spots - consult at the nearest outlet where experts will recommend the most suitable wood treatment product.

VALERIE DOUBLE CHAIR

ENGLISH

Wood is alive.

Natural properties of wood that are not considered defective: Cracks

Wood is alive. During its life cycle cracks can occur; these are acceptable and do not affect the durability of the product. Swelling and wood shrinking while drying.

Shrinking or expanding

After purchase, the wooden product continues to dry for a long time and the dimensions can drop to 5-8% of the volume. Occasionally test the screws to ensure the stability of the product. In periods of rain, the wooden parts of product will absorb moisture in the air and expand. Rough surface. Although we treat wood surfaces when planning or milling, even semi-rough surfaces may appear even at the highest level of care. Notches may show rough surfaces or slight fibre bursts.

Salt exhaustions.

If the product is impregnated with high-pressure technology, it may show white to greenish discharges. These are wood resins mixed with impregnating agents and will disappear over time.

Core.

The core of coniferous trees is in the centre of the trunk. The wood core is not wood damage, but a natural component of wood.

Branches and knots.

One of the characteristics of the wood is the branches / knots. When producing products for the garden, live trees with branches are used, which leaves knot places on boards.

The emergence of resins.

Your product is made from pine, spruce, or Siberian larch. These woods are characterized by resins that may appear on the surface of the product. Resin often appears after longer periods and might not be visible during the time of production.

The following are not considered defects and does not apply for warranty: Natural wood characteristics and natural ware of. Detail of thickness and dimensions of the components in the range of 5-8%. Damage caused by incorrect installation of product.

Mechanical damage.

Products or parts that the customer has processed or modified in any way (except raw wood parts, treated after purchase with transparent primer). Damage caused to the buyer when transporting and moving the product. Changes in tone and wood structure over time. Depreciation of the product. Knots, which do not contribute to the overall strength of the product, fall out. Bending and twisting of wooden parts if this does not affect the stability of the product.

Any damage not directly related to the quality of the production process. Mould appearance on product, which was bought untreated (natural) even after home treatment. If ready made panels have been painted at home conditions, parts where paint did not get to will start to show in time.

The accessories attached to the product packaging may differ from those shown in the assembly instructions (if supplied). This does not affect the strength of the product.

Warranty

Warranty on product design durability is 24 months. For warranty issues, contact the direct seller, presenting proof of purchase.

VALERIE DOUBLE CHAIR

DEUTSCH

Sicherheit

Nur für den Hausgebrauch. Die Zusammenstellung und Verwendung dieses Produktes sollten immer auf einem festen, ebenen Untergrund erfolgen. Nehmen Sie regelmäßige strukturelle Überprüfungen dieses Produkts vor. Benutzen Sie das Produkt nicht, wenn Sie Zweifel bezüglich der Gebrauchstauglichkeit haben. Es ist nicht gestattet, sich auf das Produkt zu setzen oder zu stehen. Dieses Möbelstück sollte von einem kompetenten Erwachsenen zusammengestellt werden.

Während der Montage ziehen Sie alle Schrauben, Bolzen und Muttern locker an. Die feste Endverschraubung sollte erst am Ende der Montage erfolgen, sobald alle Teile bereits zusammengestellt worden sind. Das Produkt sollte fest auf dem Boden oder Untergrund befestigt werden, um es vom starken Wind und plötzlichen Stürmen zu schützen. Leichtere Konstruktionen, darunter auch Gartenschuppen mit einer Brettstärke von 12 bis 19 mm, können bei sehr starkem Wind weggeblasen werden, wenn sie nicht befestigt sind.

Zu Beginn der Saison

Prüfen Sie das Produkt auf festen Sitz aller Komponenten und Befestigungen. Benutzen Sie das Produkt nicht, wenn Sie Zweifel bezüglich der Gebrauchstauglichkeit haben.

Am Ende der Saison

Bei längerer Witterung (bei nassem oder kaltem Wetter) und auch im Winter sollte dieses Produkt verdeckt unter einer Überdachung (idealerweise im Gartenschuppen oder in der Garage) gelagert werden. Vor der Lagerung immer gründlich reinigen und abtrocknen.

Pflege von Holzoberflächen

Holz ist ein natürliches Material, dessen Aussehen sich verschlechtert, wenn es draußen gelassen wird. Imprägnierung oder Behandlung des Holzes sollte regelmäßig erfolgen. Lassen Sie sich im Fachhandel beraten.

Pflege und Wartung von Möbeln

Reinigen Sie das Produkt nur mit leichter Seifenlauge und wischen es danach mit einem trockenen Tuch ab. Damit Sie Ihr Produkt optimal nutzen können, ist es sehr wichtig, dass Sie diese Gebrauchsanleitung lesen. Bitte, beachten Sie, dass die Qualitätsgarantie des Unternehmens AXI nur gültig ist, wenn die Wartung in Übereinstimmung mit dieser Anleitung erfolgte.

Zu Ihrer Information

Bei imprägniertem Holz kann es vorkommen, dass Verschmierungen entstehen, die jedoch nach einiger Zeit ausbleiben. Bei hochdruckimprägniertem Holz können die Bretter heller oder dunkler als die Farbe auf Schildern oder Fotos sein. Dies gilt als eine natürliche Eigenschaft des Holzes und ist zulässig. Imprägnierungssalze können Verfärbungen verursachen, und es kann zur Schimmelbildung kommen.

Vakuum-Druckimprägnierung des Holzes

BEHANDELTES HOLZ, DAS EIN BIOZIDPRODUKT ENTHÄLT Mit Celcure® C65 behandeltes Holz ist gegen holzerstörende Insekten und Pilze geschützt.

Wirkstoffe: basisches Kupfercarbonat, DDA-Chlorid und DDA-Carbonat.

Gebeizte Produkte

Protim Aquatan ES5 ist ein farbiges Konzentrat auf Wasserbasis, das mit Wasser verdünnt wird. Das ist ein dekorativer Abschluss, wodurch das Holz gebeizt wird. Mit Protim Aquatan ES5 behandeltes Holz ist nicht gegen holzerstörende Insekten und Pilze geschützt. Zum Schutz vor diesen Organismen ist Holz der Konservierung zu unterziehen.

Wirkstoffe: 3-Iod-2-propinylbutylcarbamate, Propiconazol.

Behandeltes Holz, das nicht mehr verwendbar ist, kann gemäß den nationalen und lokalen Vorschriften entsorgt werden.

Ein Produkt fürs Leben Unsere Produkte werden aus dauerhafter nordischer Kiefer und Fichte hergestellt. Bei guter Pflege kann unser Picknicktisch Ihnen sogar die Zeit dienen, die ein neuer Baum zum Wachsen braucht. Bei Bedarf werden alle Produkte mit einem Teilmontagesatz und einer einfachen Montageanleitung geliefert.

Reinigen Sie das Produkt nur mit leichter Seifenlauge und wischen es danach mit einem sauberen, trockenen Tuch ab. Auf horizontalen Flächen darf sich langfristig kein Wasser befinden. Nässe sollte umgehend mit einem Tuch aufgenommen werden. Produkte, die nicht gestrichen sind, werden im Laufe der Zeit grau, unabhängig von dem Farbton zum Zeitpunkt des Kaufs. Das ist die natürliche Schönheit des Holzes, und dadurch merkt man, dass das Holz sich auch nach der Verarbeitung zum Produkt ständig verändert. Wenn Sie dieses Produkt streichen, lackieren oder auf andere Weise behandeln möchten, dann lassen Sie sich im Fachhandel beraten, wo die Sachverständigen Ihnen die geeignetsten Farben oder Produkte für Holzbehandlung empfehlen werden.

Bei Produkten, die bereits gestrichen gekauft wurden, soll die erste Wartung je nach Witterung erst nach 3 bis 5 Jahren erfolgen. Die Häufigkeit der Wartung hängt von den Witterungseinflüssen und der Lage des Produktes ab. Alle Metallteile des Produktes sollten gut geschmiert sein. Die Schmierung sollte mindestens einmal pro Jahr oder nach Bedarf erfolgen.

Bei Produkten, die bereits gebeizt gekauft wurden, soll die erste Wartung je nach Witterung erst nach 1 bis 2 Jahren erfolgen. Die Häufigkeit der Wartung hängt von den Witterungseinflüssen und der Lage des Produktes ab. Gebeiztes

Holz ist nicht gegen holzerstörende Insekten und Pilze geschützt. Die Beize dringt nicht in das Holz ein und kann je nach der Witterung auf ebenen Oberflächen des Produkts gelangen. Sollte dies der Fall sein, lassen Sie sich, bitte, in einem Fachhandel über weitere Behandlungsmöglichkeiten beraten. Bei **Produkten, die bereits unbehandelt (natürlich) gekauft wurden**, sollte die Oberfläche mit einem Antiseptikum und einem Anti-Schimmelmittel während der Montage behandelt werden. Lassen Sie sich, bitte, in einem Fachhandel über die Behandlungsmittel beraten. Weitere Behandlung hängt von der ersten Behandlung ab. Das Behandlungsmittel oder die Farbe muss auf jeden Teil separat aufgebracht werden. Sollten Sie Fertigpaneele mit einer anderen Farbe streichen oder behandeln, ist es zu beachten, dass beim Trocknen ungestrichene Holzteile sichtbar werden. Dies gilt nicht als Grund zur Reklamation. Im Laufe der Zeit kann sich Schimmel auch auf unbehandelt gekauften Produkten bilden - sogar nach eigenhändiger Behandlung. Alle Metallteile des Produktes sollten gut geschmiert sein. Die Schmierung sollte mindestens einmal pro Jahr oder nach Bedarf erfolgen.

Hinweise

Zusammenstellung

Die Zusammenstellung des Produktes muss auf ebener Fläche, in Übereinstimmung mit der mitgelieferten Montageanleitung erfolgen. Die Schrauben zunächst nur leicht anziehen. Die feste Endverschraubung sollte erst am Ende der Montage erfolgen. Überprüfen Sie mindestens einmal im Jahr die Beschläge und Verschraubungen und ziehen sie nach, falls erforderlich.

Lagerung

Die Holzstrukturen sollten verdeckt gelagert werden, um die Haltbarkeit des Holzes zu bewahren. Wenn die Möbel draußen gelassen und der Witterung ausgesetzt werden müssen und nicht unter einem Dach gelagert werden können, sollten sie mindestens abgedeckt werden. Sollte dies nicht möglich sein, positionieren Sie das Produkt so, dass das

VALERIE DOUBLE CHAIR

DEUTSCH

Wasser von der Oberfläche ablaufen kann. Wenn das Produkt für einen längeren Zeitraum nicht verwendet wird, sollte es an einem kühlen, trockenen Ort gelagert werden. Das Produkt sollte gut belüftet aufbewahrt werden, um Feuchtigkeit und Schimmel zu vermeiden.

Schimmelbildung

Schimmel oder Mehltau ist eine Pilzart, die an Orten mit viel Feuchtigkeit entsteht, besonders auf Ihren schönen Gartenmöbeln. Holz ist besonders anfällig für Schimmel. Schimmel kann einfach mit leichter Seifenlauge und einem sauberen, trockenen Tuch abgewischt werden. Rohes Holz kann durch den blauen Pilz punktierte oder gestreifte Flecken aufweisen. Für die Holzbehandlung verwenden Sie eine Grundierung (im ersten Jahr nur eine transparente Grundierung), die das Holz vor blauen Flecken schützt. Lassen Sie sich, bitte, in einem Fachhandel über weitere Behandlungsmöglichkeiten beraten.

Holz ist lebendig.

Natürliche Eigenschaften des Holzes, welche nicht als Mängel anzusehen sind: Entstehung von Rissen

Holz ist lebendig. Während des Lebenszyklus können Risse im Holz entstehen, welche vertretbar sind und keinen Einfluss auf die Stabilität des Produktes haben. Ausdehnung und Schwund während der Trocknung.

Schwund oder Ausdehnung

Holz ist ein Produkt, welches noch lange nach dem Kauf weiter, langsam trocknet. Einzelne Teile können sogar bis zu 5 - 8 % ihres Umfangs durch Austrocknung verlieren. Überprüfen Sie die Stabilität dieses Produktes regelmäßig und ziehen Sie die Schrauben dieses Produktes nach, falls dies notwendig geworden ist. Holz reagiert auf alle Wetterbedingungen, und bei nassfeuchtem Wetter nehmen die Holzteile die Feuchtigkeit aus der Luft auf und dehnen sich aus.

Raue Oberfläche

Obwohl die Holzoberflächen beim Hobeln oder Fräsen behandelt werden, kann es trotz größter Sorgfalt zu teilweise rauen Stellen in der Oberfläche kommen, welche sich bei Aststellen befinden und zu kleinen Ausrissen der Holzfasern führen können.

Salzablagerungen

Sollte dieses Produkt mit der Technologie der Kesseldruck-Imprägnation behandelt werden, so kann es zu weißen oder grünlichen Ablagerungen auf der Oberfläche kommen. Hier handelt es sich um Harz, welches mit den Imprägnationssalzen reagiert und mit der Zeit immer weniger auftreten werden.

Kernholz

Der Kern von Nadelholz befindet sich in der Mitte des Stammes. Das Kernholz an sich ist kein Holzdefekt, sondern ein natürlicher Bestandteil des Holzes.

Äste und Aststellen

Eine der typischen Holzeigenschaften sind Äste/ Aststellen. Bei der Herstellung von Gartenkonstruktionen wird lebendiges Holz mit Ästen verarbeitet, wodurch Aststellen auf Brettern hinterlassen werden.

Nicht als Mängel gilt und die Gewährleistung findet nicht Anwendung auf das Folgende:

Natürliche Eigenschaften und der natürliche Verschleiß des Holzes. Abweichungen bei Materialdicke und Materiallänge im Umfang von 5 bis 8%. Schäden, die durch falschen Zusammenbau des Produktes verursacht wurden. Mechanische Schäden. Produkte oder deren Bestandteile, die der Kunde in irgendeiner Weise selbst bearbeitet oder verändert hat (außer Rohholzteile, die nach dem Kauf mit transparenter Grundierung bearbeitet wurden). Schäden, die dem Kunden beim Transport oder Bewegen des Produktes verursacht wurden. Veränderung der Holzfarbe und -struktur im Laufe der Zeit. Abnutzung des Produktes.

Aststellen, welche die Stabilität des Produktes nicht beeinflussen. Holzverformungen und -verdrehungen, welche die Stabilität des Produktes nicht beeinflussen. Jegliche Art von Beschädigungen, welche im direkten Zusammenhang mit der Qualität des Produktionsprozesses stehen. Schimmelbildung auf dem Produkt, das unbehandelt (natürlich) gekauft wurde - auch nach eigenhändiger Behandlung. Wenn die Fertigpaneelen eigenhändig gestrichen wurden, werden die eventuell unbedeckten Teile im Laufe der Zeit sichtbar werden.

Die diesem Produkt beigefügten Befestigungsmittel und Beschläge können sich von denen in der Montageanleitung (sofern vorhanden) aufgezeichneten unterscheiden, was jedoch zu keinerlei Nachteilen führt und die Stabilität des Produktes nicht beeinflusst.

Gewährleistung

Die Herstellergewährleistung für dieses Produkt beträgt 24 Monate. Sollte ein Gewährleistungsfall vorliegen, so wenden Sie sich, bitte, direkt an den Verkäufer dieses Produktes und legen Sie den Kassenbeleg für den Kauf dieses Produktes vor.

VALERIE DOUBLE CHAIR

NEDERLANDS

Veiligheid

Het product is uitsluitend bedoeld voor huishoudelijk gebruik. Het product dient te worden gemonteerd en gebruikt op een harde, vlakke ondergrond. Voer periodiek structurele controles uit op het product. Gebruik het product niet als u twijfelt of het geschikt is voor het beoogde doel. Ga niet op het product of een onderdeel daarvan zitten of staan. Het product moet worden gemonteerd door een competente volwassene.

Alle schroeven, bouten en moeren moeten tijdens de montage losjes worden aangedraaid. Draai ze pas stevig vast aan het einde van de montage, wanneer alle onderdelen van het product zijn gemonteerd. Zorg ervoor dat het product stevig op de grond of basis is bevestigd om het te beschermen tegen harde wind en plotselinge storm. Lichte constructies, zoals tuinhuizen van bijvoorbeeld 12 tot 19 mm dikke planken, kunnen door harde wind wegwaaien als de constructie niet is vastgezet.

Aan het begin van het seizoen

Zorg ervoor dat alle onderdelen en bevestigingen van dit product goed vastzitten. Gebruik het product niet als u twijfelt of het geschikt is voor het beoogde doel. In geval van langdurige en ongunstige weersomstandigheden (vochtigheid of kou) moet het product aan het einde van het seizoen en tijdens het winterseizoen onder een afdak worden opgeborgen (in een tuinhuis of garage wordt aanbevolen). Het product moet voor opslag grondig worden gereinigd en gedroogd.

Instructies voor het onderhoud van houten oppervlakken

Hout is een natuurlijk materiaal waarvan het uiterlijk zal verslechteren als het product buiten wordt gebruikt. Het impregneren of behandelen van hout dient regelmatig te gebeuren. Ga naar de dichtstbijzijnde bouwmarkt waar specialisten u kunnen voorzien van onderhoudstips.

Verzorging en onderhoud van meubels

Reinig het product met een milde zeepoplossing en droog het af met een schone, droge doek. Om het maximale uit het product te halen, is het belangrijk om deze handleiding te lezen. Houd er rekening mee dat de verstrekte kwaliteitsgarantie alleen geldig is als de onderhoudsinstructies voor het meubel strikt worden opgevolgd.

Houd rekening met het volgende!

Geïmpregneerde houtproducten kunnen in het begin vlekken vertonen, maar deze zullen na verloop van tijd verdwijnen. Producten gemaakt van hout dat is behandeld met hogedruktechnieken kunnen in kleur variëren, d.w.z. de planken kunnen lichter of donkerder zijn dan de tint die op de labels en foto's wordt weergegeven. Echter is dit een natuurlijk kenmerk van hout en dat is volledig acceptabel. Door de invloed van het impregneerzout op het hout kan de kleur van het hout veranderen of kan er soms schimmel op het product ontstaan.

Vacuüm geïmpregneerde houtproducten

BEHANDELD HOUT DAT BIOCIDEN BEVAT.

Met Celcure® C65 behandeld hout is beschermd tegen hout-aantastende insecten of houtrotschimmels.

Werkzame stoffen: basisch kopercarbonaat, DDA-chloride en DDA-carbonaat.

Gebeitste producten

Aquatan ES5 is een kleurconcentraat op waterbasis dat wordt verdund met water. Het is een decoratief afwerkingsmateriaal bedoeld voor het schilderen van hout. Hout behandeld met Protim Aquatan ES5 is niet beschermd tegen hout-aantastende insecten of houtrotschimmels, daarom is het noodzakelijk om een conserveringsmiddel te gebruiken om het hout tegen deze organismen te beschermen.

Werkzame stoffen: 3-jood-2-propynylbutylcarbamaat, propiconazol.

Gooi behandeld hout dat niet langer geschikt is voor gebruik weg in overeenstemming met de nationale of lokale voorschriften.

**Een product dat u een leven lang van dienst zal zijn
Onze producten zijn gemaakt van duurzaam Scandinavisch dennen- en sparrenhout. Als het product goed wordt onderhouden, kan het u vele jaren van dienst zijn - zelfs net zo lang als nodig is om een nieuwe boom te laten groeien.
Alle producten die moeten worden gemonteerd, worden verkocht voorzien van een montagekit en een eenvoudige montage-instructie die werkzaamheden stap voor stap beschrijft.**

Hoe kunt u de natuurlijke schoonheid van het product jarenlang goed houden?

Maak het product altijd schoon met een milde zeepoplossing en droog het af met een schone, droge doek. Bij morsen van vloeistof altijd direct het vocht opdrogen. Ongeverfde producten kunnen na verloop van tijd grijs worden, ongeacht de kleur van de afwerking op het moment van aankoop. Dit is de natuurlijke schoonheid van hout en dit proces laat zien dat hout leeft en blijft veranderen, zelfs nadat het is omgezet in een product. Als u het product wilt verven, beitsen of op een andere manier wilt behandelen, neem dan contact op met de dichtstbijzijnde bouwmarkt waar specialisten het meest geschikte verf- of houtbehandelingsproduct kunnen aanbevelen. **Als u een geverfd product heeft gekocht**, is een eerste onderhoudsbeurt van het houtproduct pas nodig na 3 tot 5 jaar, afhankelijk van de weersomstandigheden waar het in heeft gestaan. De frequentie van het onderhoud is afhankelijk van het weer en de locatie van het product. De metalen delen van het product moeten altijd goed gesmeerd zijn. Smeer ze minstens één keer per jaar of vaker wanneer dat nodig is. **Indien u een gebeitst product heeft gekocht**, kan het eerste technische onderhoud van het houten product na 1-2 jaar, afhankelijk van de weersomstandigheden waarin het heeft gestaan, plaatsvinden. De frequentie van het onderhoud is afhankelijk van de weersomstandigheden en de plaats waar het product staat. Gebeitste producten zijn niet beschermd tegen hout-aantastende insecten of houtrotschimmels. De beits trekt niet in de grond en de coating op vlakke oppervlakken kan, afhankelijk van de weersomstandigheden, afslijten. Neem in dit geval contact op met de dichtstbijzijnde bouwmarkt waar specialisten u instructies kunnen geven over de verdere behandeling van hout thuis. **Als u een onbehandeld (natuur)product heeft gekocht**, behandel dan tijdens de montage de ondergrond met een ontsmettingsmiddel tegen schimmel. Ga naar de dichtstbijzijnde bouwmarkt waar specialisten beschikbare houtbehandelingsproducten kunnen aanbevelen. Verdere afwerking is afhankelijk van de initiële verwerking. Het behandelingsmiddel en de verf moeten op elk onderdeel van het product afzonderlijk worden aangebracht. Als u in de fabriek gemonteerde panelen schildert of behandelt met een ander kleurmiddel, houd er dan rekening mee dat tijdens het drogen onbehandelde delen van het hout zullen verschijnen. Bovenstaande is geen reden om een claim in te dienen. Producten die onbewerkt zijn gekocht, kunnen na verloop van tijd schimmel ontwikkelen - zelfs na oppervlaktebehandeling thuis. De metalen delen van het product moeten altijd goed gesmeerd zijn. Smeer ze minstens één keer per jaar of vaker wanneer dat nodig is.

Aanbevelingen Montage

Voer de montage uit volgens de montage-instructies in de montagekit. Monteer het product altijd op een harde, vlakke ondergrond volgens de montagehandleiding. Bij de montage moeten de schroeven eerst losjes worden aangedraaid. Draai ze pas stevig vast nadat de montage van het product is voltooid. Controleer de productbevestigingen min-

VALERIE DOUBLE CHAIR

NEDERLANDS

stens één keer per jaar, omdat de schroeven mogelijk moeten worden vastgedraaid.

Opslag

Wanneer je buitenproducten opslaat in de schaduw kan dit de levensduur verlengen. Als het product bedoeld is om buiten te blijven staan en niet kan worden opgeslagen in de schaduw dan is het raadzaam om het product af te dekken. Als het niet mogelijk is om het product af te dekken, plaats het dan onder een hoek zodat het water eruit kan lopen. Wanneer het product niet in gebruik is, bewaar het dan op een droge, koele plaats. Zorg ervoor dat het in een goed geventileerde ruimte wordt bewaard om vocht en schimmel te voorkomen.

Schimmel

Schimmel of meeldauw is een bepaalde soort schimmel die op vochtige plaatsen groeit, vooral op uw nieuwe houten meubelen. Hout is bijzonder gevoelig voor meeldauw. Als er zich schimmel heeft gevormd, kan deze eenvoudig worden schoongemaakt met een milde zeepoplossing en worden afgedroogd met een schone, droge doek. Onbehandeld hout kan vlekachtige of streepachtige vlekken vertonen die worden veroorzaakt door blauwschimmel. Gebruik bij het behandelen van hout een primer (gebruik in het eerste jaar van ingebruikname een enkele transparante primer) die het hout beschermt tegen blauwe vlekken. Ga naar de dichtstbijzijnde bouwmarkt waar specialisten het meest geschikte houtverwerkingsproduct kunnen aanbevelen.

Hout leeft!

Hout heeft natuurlijke eigenschappen die niet als gebreken worden beschouwd:

Barsten

Hout leeft. Tijdens de levensduur kunnen er barsten ontstaan die acceptabel zijn en geen invloed hebben op de duurzaamheid van het product. Bovendien zwelt en krimpt hout tijdens het drogen..

Rijpen en krimpen van hout

Na de koop van dit houtproduct moet het hout nog lange tijd drogen en kan de afmeting 5-8% van het volume afnemen. Draai de schroeven van tijd tot tijd vast om de stabiliteit van het product te garanderen. Tijdens het regenseizoen nemen de houten delen van het product het vocht uit de lucht op en zet het uit.

Ruwe oppervlakken

Hoewel houten oppervlakken worden bewerkt met een schaaf of een frees, kunnen tijdens het werk ruwe oppervlakken ontstaan ook al wordt het werk met de grootste zorg uitgevoerd. Rond de takken kunnen ruwe oppervlakken of kleine vezeluitbarstingen voorkomen.

Zoutlagen

Als het product wordt geïmpregneerd met behulp van hogedruktechnologieën kunnen er witte tot groenachtige kleurlagen in het hout worden waargenomen. Het is houthars vermengd met impregneerstoffen, maar deze lagen zullen na verloop van tijd verdwijnen.

Kern

In het midden van de naaldboomstam bevindt zich de kern. Kern wordt niet beschouwd als een houtdefect, maar als een natuurlijk bestanddeel van hout.

Takken en noesten

Een van de kenmerkende parameters van het hout zijn de takken/noesten. Bij de productie van tuinconstructies worden levende bomen met takken gebruikt wat resulteert in zichtbare noesten in de planken.

Verschijnen van hars

Dit product is gemaakt van grenen, vuren of Siberisch larikshout. Dit hout wordt gekenmerkt door hars dat zichtbaar is op het oppervlak

van het product. Harsen verschijnen vaak pas na een langere periode en zijn mogelijk niet zichtbaar op het moment van productie van het product.

Het hieronder genoemde wordt niet als defect beschouwd en valt niet onder de garantievoorwaarden

Natuurlijke houteigenschappen en natuurlijke slijtage. De afwijking van de dikte van de onderdelen en de afmetingen van de componenten blijft binnen 5-8%. Schade veroorzaakt door verkeerde montage van het product.

Mechanische defecten

Het product of delen daarvan die op enigerlei wijze door de klant zijn behandeld of gewijzigd (met uitzondering van onbehandelde houten delen die na aankoop van het product met een doorzichtige grondlaag zijn voorzien). Schade veroorzaakt aan de koper als gevolg van transport en verplaatsing van het product.

Veranderingen in toon en houtstructuur die zich in de loop van de tijd voordoen. Slijtage van het product. Er zijn kleine noesten uit gevallen die de stabiliteit van het product niet beïnvloeden. Buigen en torderen van houten delen, indien dit de stabiliteit van het product niet aantast. Elke schade die niet direct verband houdt met de kwaliteit van de productieprocessen. Schimmelvorming op een product dat onbehandeld (natuurlijk) is gekocht - ook na verwerking thuis. Als de afgewerkte panelen thuis zijn geleverd, worden de ongecoate delen van het product na verloop van tijd zichtbaar. De accessoires die in de product set zitten, kunnen afwijken van de accessoires die in de montagehandleiding worden weergegeven (mits ze in de set zijn meegeleverd), maar dit heeft geen invloed op de stabiliteit van de constructie van het product.

Garantie

De garantie met betrekking tot de duurzaamheid van de productconstructie is 24 maanden. Neem voor garantie vragen contact op met uw directe verkoper op vertoon van uw aankoopbewijs.

VALERIE DOUBLE CHAIR

FRANÇAIS

Sécurité

Pour un usage particulier uniquement. Montez et utilisez toujours le produit sur un sol stable et horizontal. Effectuez des vérifications structurelles périodiques du produit, ne l'utilisez pas si vous avez des doutes sur son adéquation pour l'usage prévu. Ne vous asseyez pas et ne vous tenez pas debout sur le produit. Ce meuble doit être monté par un adulte compétent.

Pendant le montage, ne serrez pas complètement les vis, les boulons et les écrous. Resserrez-les à fond uniquement à la fin du montage, une fois que toutes les pièces auront été assemblées ensemble. Veillez à renforcer la fixation des produits au sol ou sur la surface de base pour les protéger contre les vents violents et les tempêtes inattendues. Les produits plus légers, notamment les abris de jardin dont l'épaisseur des planches varie entre 12 et 19 mm, peuvent être emportés par les vents très forts s'ils ne sont pas solidement fixés.

Au début de la saison

Vérifiez que tous les composants et fixations de ce produit ne présentent pas de danger. N'utilisez pas ce produit si vous avez des doutes sur son adéquation pour l'usage prévu.

À la fin de la saison

Ce produit doit être entreposé à l'abri pendant les périodes prolongées de mauvais temps (humide ou froid) et aussi pendant l'hiver (idéalement dans un abri de jardin ou un garage). Nettoyez et faites toujours soigneusement sécher le produit avant de le stocker.

Instructions pour le soin des surfaces en bois

Le bois est un matériau naturel dont l'aspect se dégrade s'il est laissé à l'extérieur. Le bois doit être régulièrement imprégné ou traité. Demandez conseil à votre magasin de bricolage local.

Soin et entretien des meubles

Nettoyez-les en les frottant avec une solution savonneuse douce. Essuyez avec un chiffon propre et sec. Pour profiter au maximum de votre nouveau produit, il est très important de lire les présentes instructions. Veuillez noter que la garantie de qualité d'AXI n'est valable que si les présentes instructions d'entretien sont respectées soigneusement.

Bon à savoir :

Les produits imprégnés peuvent suinter. Le phénomène disparaîtra après quelque temps. La couleur des produits traités sous pression peut varier d'une planche à l'autre et peut être plus claire ou plus foncée que la couleur indiquée sur les étiquettes ou photos, c'est une caractéristique naturelle du bois qui est parfaitement normale. Le produit peut présenter une décoloration due au sel d'imprégnation ou parfois à la moisissure.

Produits imprégnés sous vide

BOIS TRAITÉ CONTENANT UN PRODUIT BIOCIDE Le bois traité avec le produit Celcure® C65 est protégé contre les insectes xylophages et les champignons de pourriture du bois.

Ingrédients actifs : carbonate de cuivre basique, chlorure de DDA et carbonate de DDA.

Produits lasurés

PROTIM AQUATAN ES5 est un concentré coloré à base aqueuse qui se dilue avec de l'eau. Il s'agit d'une finition décorative qui colore le bois. Le bois traité avec Protim Aquatan ES5 n'est pas protégé contre les insectes xylophages ou les champignons de décomposition du bois. Un traitement de préservation est nécessaire pour le protéger contre ces organismes.

Ingrédients actifs : 3-iodo-2-propynyl butylcarbamate, propiconazole.

Les bois traités qui ne sont plus utilisables peuvent être éliminés conformément aux réglementations nationales et locales.

Des produits pour la vie Nos produits sont fabriqués à partir de pin nordique et d'épicéa élevés dans des forêts exploitées de manière durable. Si elle est bien entretenue, notre table de pique-nique pourra vous servir pendant tout le temps qu'il faudra à un nouvel arbre pour pousser.

Tous les produits sont livrés, si nécessaire, avec un kit de montage des pièces et des instructions d'assemblage simples, étape par étape.

Comment faire pour que votre produit reste beau pendant de nombreuses années ? Nettoyez toujours le produit avec une solution savonneuse douce et séchez-le avec un chiffon propre et sec.

Si vous renversez du liquide, essayez-le toujours le plus rapidement possible. Les produits non peints commenceront à devenir gris, quelle que soit la couleur du traitement au moment de l'achat. C'est la beauté naturelle du bois, un matériau qui change et évolue même après avoir été transformé en produit. Si vous souhaitez peindre, lasurer ou traiter le produit de toute autre manière, consultez le point de vente le plus proche, où des experts vous recommanderont la peinture ou le produit de traitement du bois le plus approprié. Si vous avez acheté **un produit peint**, le premier entretien, en fonction des conditions climatiques, ne sera nécessaire qu'après 3 à 5 ans. La fréquence de l'entretien dépendra des conditions météorologiques et de l'endroit où est installé le produit. Lubrifiez bien les parties métalliques de votre produit. Huilez-les au moins une fois par an ou lorsque cela est nécessaire. Si vous avez acheté **un produit lasuré**, le premier entretien, en fonction des conditions météorologiques, sera nécessaire après 1 à 2 ans. La fréquence de l'entretien dépendra des conditions météorologiques et de l'endroit où est installé le produit. Les produits lasurés ne sont pas protégés contre les insectes xylophages ou les champignons de décomposition du bois. La lasure ne pénètre pas dans le bois et, selon les conditions météorologiques, peut être lessivée sur les surfaces planes du produit. Si cela se produit, consultez le magasin de bricolage le plus proche pour obtenir les meilleurs conseils sur le traitement domestique ultérieur. Si vous avez acheté **un produit non traité (naturel)**, traitez sa surface avec un agent antiseptique et anti-moisissures pendant le montage. Consultez votre magasin de bricolage le plus proche pour connaître les agents de traitement disponibles. Les traitements ultérieurs dépendront du traitement que vous utiliserez la première fois. Le produit de traitement ou la peinture doit être appliqué sur chaque pièce séparément. Si vous peignez ou traitez un panneau assemblé en usine avec une autre couleur, tenez compte du fait que pendant le séchage, des parties non peintes du bois apparaîtront. Ce phénomène ne sera pas considéré comme donnant droit à une réclamation. Avec le temps, de la moisissure peut apparaître sur des produits naturels achetés, même après un traitement à domicile. Lubrifiez bien les parties métalliques de votre produit. Huilez-les au moins une fois par an ou lorsque cela est nécessaire.

Conseils

Assemblage

Effectuez le montage conformément aux instructions fournies avec le produit. Assemblez toujours le produit sur une surface plane et régulière, en suivant les instructions. Pendant le montage, commencez par visser les vis modérément, puis serrez-les à fond une fois seulement que l'assemblage est terminé. Vérifiez les ferrures des meubles au moins une fois par an car les vis peuvent avoir besoin d'être resserrées.

VALERIE DOUBLE CHAIR

FRANÇAIS

Stockage

La conservation des produits d'extérieur en bois à l'abri des intempéries permet de maximiser leur durée de vie. Nous vous recommandons de couvrir votre meuble s'il doit être laissé à l'extérieur sous les intempéries et si vous ne disposez pas d'une zone ombragée lorsque vous le l'utilisez pas. Si vous ne pouvez le couvrir, inclinez-le pour que l'eau puisse s'écouler. Stockez-le dans un endroit frais et sec lorsque vous ne l'utilisez pas. Veillez à ce que l'air puisse circuler pour éviter l'humidité et les moisissures.

Moisissure

La moisissure ou mildiou est un type de champignon qui se développe dans un climat humide. Il adore prospérer sur votre beau mobilier de jardin en bois. Le bois est particulièrement sensible à la moisissure. Si vous repérez de la moisissure, nettoyez-la simplement avec une solution savonneuse douce et séchez le meuble avec un chiffon propre et sec. Le bois brut peut présenter des taches, en forme de points ou de rayures, causées par le champignon bleu. Utilisez un apprêt (la première année, n'utilisez que du transparent) de traitement du bois qui protégera le bois contre les taches bleues. Consultez le point de vente le plus proche où des experts vous recommanderont le produit de traitement du bois le plus adapté.

Le bois est un matériau vivant. Les caractéristiques naturelles du bois ne sont pas considérées comme des défauts :

Fissures

Le bois est vivant. Au cours de son cycle de vie, des fissures peuvent apparaître ; celles-ci sont acceptables et n'affectent pas la durabilité du produit. Le bois gonfle et se contracte lorsqu'il sèche.

Contraction ou expansion

Après l'achat, le produit en bois continue à sécher pendant une longue période et la perte de dimensions peut représenter jusqu'à 5-8 % du volume. Vérifiez de temps en temps les vis pour contrôler la stabilité du produit. Pendant les périodes de pluie, les parties en bois du produit absorbent l'humidité de l'air et se dilatent.

Rugosité de la surface.

Bien que nous traitons les surfaces en bois lors du rabotage ou du perçage, il peut arriver que des surfaces semi-rugueuses apparaissent même lorsque l'on fait très attention. Les encoches peuvent présenter des surfaces rugueuses ou de légers éclatements de fibres.

Rejets de sel.

Si le produit est imprégné via une technologie à haute pression, il peut présenter des rejets blancs à verdâtres. Il s'agit de résines de bois mélangées à des agents d'imprégnation et elles disparaîtront au fil du temps.

Duramen.

Le duramen des conifères se trouve au centre du tronc. Le duramen n'est pas un défaut mais un composant naturel du bois.

Branches et noeuds.

Les branches / noeuds sont caractéristiques du bois. Lors de la fabrication de produits pour le jardin, on utilise des arbres vivants avec des branches, ce qui laisse des noeuds sur les planches.

Apparition de résines.

Votre produit est fabriqué à partir de pin, d'épicéa ou de mélèze de Sibérie. Ces bois sont caractérisés par des résines qui peuvent apparaître à la surface du produit. Les résines mettent souvent longtemps à apparaître et peuvent demeurer invisibles au moment de la production.

Les éléments suivants ne sont pas considérés comme des défauts et ne sont pas couverts par la garantie : Caractéristiques naturelles et usure

naturelle du bois. Différences d'épaisseur et de dimensions des composants dans une fourchette de 5-8 %.

Domages causés par une mauvaise installation du produit.

Domages mécaniques.

Produits ou pièces que le client a transformés ou modifiés de quelque manière que ce soit (sauf les pièces en bois brut, traitées après l'achat avec un apprêt transparent). Domages causés à l'acheteur lors du transport et du déplacement du produit. Changements de ton et de structure du bois au fil du temps. Dégradation du produit.

Chute de noeuds n'affectant pas la solidité globale du produit. Flexion et torsion de parties en bois si cela n'affecte pas la stabilité du produit. Tout dommage non directement lié à la qualité du processus de production. Apparition de moisissures sur un produit acheté non traité (naturel), même après un traitement maison. Si des panneaux prêts à l'emploi sont peints dans des conditions non professionnelles, certaines parties où la peinture n'a pas été appliquée commenceront à apparaître avec le temps.

Les accessoires joints dans l'emballage du produit peuvent différer de ceux indiqués dans les instructions de montage (si elles sont fournies). Cela n'affecte pas la résistance du produit.

Garantie

La garantie portant sur la durabilité de la conception du produit est de 24 mois. Pour les questions de garantie, contactez le vendeur direct, en présentant un justificatif d'achat.

VALERIE DOUBLE CHAIR

ESPAÑOL

Seguridad

Solo para uso doméstico. Al armar y utilizar, hágalo siempre en un terreno firme y nivelado. Revisiones estructurales periódicas de este producto deben ser hechas, no lo use si tiene alguna duda sobre si es ideal para el fin pretendido. No se siente ni se pare sobre el producto en ningún lugar. Estos muebles deben ser instalados por un adulto competente.

Durante el montaje, coloque todos los tornillos, pernos y tuercas sin apretar demasiado. Apriételes bien solo al final del montaje, después de que todas las partes hayan sido montadas. Asegúrese de reforzar los productos en el suelo o en la superficie de base para protegerlos de vientos fuertes y tormentas inesperadas. Los productos más livianos, incluidos cobertizos de jardín con un grosor de tabla de 12-19 mm, pueden ser arrasados por vientos muy fuertes si no están asegurados.

Al inicio de la estación

Revise para asegurarse que todos los componentes y uniones de este producto están seguros, no lo use si tiene dudas sobre su idoneidad para el fin pretendido.

Al final de la estación

Este producto debe ser almacenado bajo techo durante períodos prolongados de clima adverso (húmedo o frío) y también durante el invierno (idealmente en un cobertizo de jardín o garaje). Siempre limpie y seque bien antes de guardarlo.

Instrucciones de cuidado de superficies de madera

La madera es un material natural cuyo aspecto se deteriora cuando se deja en el exterior. La madera debe ser regularmente impregnada o tratada. Consulte la tienda de bricolaje más cercana.

Cuidado y mantenimiento de muebles.

Limpiar con una solución jabonosa suave. Secar con un paño limpio y seco. Para asegurarse de que obtiene el máximo provecho de su nuevo producto, es muy importante que lea estas instrucciones. Tenga en cuenta que la garantía de calidad de AXI solo es válida cuando estas instrucciones de mantenimiento han sido seguidas cuidadosamente.

Para su conocimiento:

Los productos impregnados pueden manchar. Esto desaparecerá después de un corto tiempo.

El color de los productos tratados a presión puede variar de un tablero a otro, puede ser más claro u oscuro que el color de las etiquetas o fotografías, estas son las características naturales de la madera y perfectamente normales.

La decoloración proveniente de la sal impregnada o a veces el moho pueden acumularse en el producto.

Productos impregnados al vacío

MADERA TRATADA CONTENIENDO UN PRODUCTO BIOCIDA

La madera preservada Celcure® C65 está protegida contra los insectos que destruyen la madera y los hongos que la pudren.

Ingredientes Activos: Carbonato Básico de Cobre, Cloruro de DDA y Carbonato de DDA.

Productos Manchados

PROTIM AQUATAN ES5 es un colorante, concentrado a base de agua y el cual es diluido con agua. Es un acabado decorativo que da color a la madera. La madera tratada con Protim Aquatan ES5 no está protegida contra los insectos que destruyen la madera ni contra los hongos que la deterioran. Se requiere un tratamiento conservante para proteger contra estos organismos.

Ingredientes activos: 3-yodo-2-propinil butilcarbamato, propiconazol.

Las maderas tratadas que ya no pueden utilizarse deben ser desechadas de acuerdo con las regulaciones nacionales y locales.

Producto de por vida

Nuestros productos son fabricados con pinos y abetos del norte duraderos. Bien mantenida, nuestra mesa de picnic puede servirle el tiempo que tarda en crecer un nuevo árbol.

¿Cómo mantener su producto hermoso durante muchos años?

Siempre limpie el producto con una solución jabonosa suave y séquelo con un paño limpio y seco. Si derrama líquido sobre él, límpielo siempre lo más rápido posible.

Los productos no pintados comenzarán a volverse grises, independientemente del color del tratamiento en el momento de la compra. Esta es la belleza natural de la madera, que muestra que cambia y avanza incluso después de convertirse en el producto.

Si desea colorear, pintar o tratar el producto de otro modo, consulte el punto de venta más cercano, donde los expertos le recomendarán la pintura o el producto de tratamiento de la madera más adecuado.

Si Usted ha comprado un **producto pintado** – el primer mantenimiento, dependiendo de las condiciones climáticas, solo se requiere después de 3 a 5 años. La frecuencia del mantenimiento depende de los impactos climáticos y la ubicación del producto. Mantenga las partes metálicas de su producto bien engrasadas. Aceitarlos al menos una vez al año o cuando sea necesario.

Si Usted ha comprado un **producto teñido** – se requiere un primer mantenimiento, dependiendo de las condiciones climáticas, después de 1 o 2 años. La frecuencia del mantenimiento depende del impacto climático y la ubicación del producto. Los productos teñidos no están protegidos contra los insectos que destruyen la madera o los hongos que la pudren. El tinte no penetra en la madera y, dependiendo de las condiciones climáticas, puede caer sobre las superficies planas del producto. Si esto sucede, consulte con su tienda de bricolaje más cercana para obtener el mejor asesoramiento sobre el tratamiento doméstico posterior.

Si Usted ha comprado un **producto sin tratar (natural)**, trate la superficie con un antiséptico y antimoho durante la instalación. Pregunte en su Tienda de Bricolaje más cercana por los agentes de tratamiento disponibles. Otros tratamientos dependen del tratamiento que usará la primera vez. El agente de tratamiento o la pintura deben aplicarse a cada parte por separado. Si está pintando o tratando un panel ensamblado en fábrica; con cualquier otro colorante, tenga en cuenta que durante el secado aparecerán partes de la madera sin pintar. Esto no será considerado como reclamo. Con el tiempo, el moho puede aparecer en los productos comprados sin tratar, incluso después del tratamiento en el hogar.

Mantenga las partes metálicas de su producto bien engrasadas. Aceitarlos al menos una vez al año o cuando sea necesario.

Consejos Montaje

Arme de acuerdo con las instrucciones suministradas con el producto. Siempre monte su producto sobre una superficie plana y nivelada y siempre de acuerdo con las instrucciones. Durante el montaje, coloque los tornillos sin apretar al principio y luego apriete solo cuando esté completamente armado. Revise los herrajes de los muebles al menos una vez al año; es posible que sea necesario apretar los tornillos.

Almacenamiento

Mantener los productos de madera para exteriores bajo las sombras maximizará la vida útil del producto.

Le recomendamos que cubra los muebles si se van a dejar afuera a la

VALERIE DOUBLE CHAIR

ESPAÑOL

intemperie si no tiene un área sombreada cuando no esté en uso. Si no puede cubrirlo, incline su producto para que el agua pueda drenar. Almacene en un lugar fresco y seco cuando no esté en uso. Asegúrese de que el aire pueda circular para evitar la humedad y el moho.

Moho

El moho es un tipo de hongo que prospera en el clima húmedo. No hay nada que le guste más que crecer en sus bonitos muebles de jardín de madera. La madera es especialmente propensa al moho. Si detecta moho, simplemente límpielo con una solución jabonosa suave y séquelo con un paño limpio y seco.

La madera cruda puede tener manchas punteadas o rayadas causadas por el hongo azul. Use una imprimación (en el primer año, use solo transparente) para el tratamiento de la madera que protege la madera de las manchas azules; consulte en el punto de venta más cercano donde los expertos le recomendarán el producto de tratamiento de la madera más adecuado.

La madera está viva.

Propiedades naturales de la madera que no se consideran defectuosas:

Grietas

La madera está viva. Durante su ciclo de vida pueden ocurrir grietas; estas son aceptables y no afectan la durabilidad del producto. Expansión y contracción de la madera durante el secado.

Contraerse o expandirse

Después de la compra, el producto de madera continúa secándose durante mucho tiempo y las dimensiones pueden reducirse hasta el 5-8% del volumen. Ocasionalmente pruebe los tornillos para garantizar la estabilidad del producto. En períodos de lluvia, las partes de madera del producto absorberán la humedad del aire y se expandirán.

Superficie áspera

Aunque tratamos las superficies de madera cuando cepillamos o fresamos, incluso superficies semirrugosas pueden aparecer incluso con el más alto nivel de cuidado. Las muescas pueden mostrar superficies ásperas o ligeros estallidos de fibras.

Agotamientos de sal

Si el producto está impregnado con tecnología de alta presión, puede presentar descargas de color blanco a verdoso. Son resinas de madera mezcladas con agentes de impregnación y desaparecerán con el tiempo.

Centro

El núcleo de los árboles coníferos está en el centro del tronco. El núcleo de madera no es daño a la madera, sino un componente natural de la madera.

Ramas y nudos.

Una de las características de la madera son las ramas/nudos. Cuando se fabrican productos para el jardín, se utilizan árboles vivos con ramas, lo que deja nudos en las tablas.

La aparición de resinas.

Su producto está hecho de pino, abeto o alerce siberiano. Estas maderas se caracterizan por las resinas que pueden aparecer en la superficie del producto. La resina a menudo aparece después de períodos más largos y puede no ser visible durante el tiempo de producción.

Los siguientes no se consideran defectos y no aplican para la garantía:

características de la madera natural y de artículos naturales.

Los detalles de espesor y dimensiones de los componentes en el rango de 5-8%. Los daños causados por una instalación incorrecta del

producto

Daños Mecánicos.

Los productos o partes que el cliente haya procesado o modificado de cualquier forma (excepto partes de madera, tratadas después de la compra con imprimación transparente). Daños causados al comprador el transporte o traslado del producto. Cambios en el tono y la estructura de la madera a lo largo del tiempo. La depreciación del producto. Los nudos que se caen, los cuales no contribuyen a la resistencia general del producto. Doblado y torsión de piezas de madera si esto no afecta la estabilidad del producto.

Cualquier daño que no esté directamente relacionado con la calidad del proceso de producción. Aparición de moho en el producto, que se compró sin tratar (natural) incluso después del tratamiento en el hogar. Si los paneles prefabricados se han pintado en el hogar, las partes a las que no llegó la pintura comenzarán a mostrarse con el tiempo.

Los accesorios incluidos en el embalaje del producto pueden diferir de los que se muestran en las instrucciones de montaje (si se incluyen). Esto no afecta la fortaleza del producto.

Garantía

La garantía sobre la durabilidad del diseño del producto es de 24 meses. Para cuestiones de garantía, contactar con el vendedor directo, presentando comprobante de compra.

VALERIE DOUBLE CHAIR

ITALIANO

Sicurezza

Solo per uso domestico. Durante il montaggio e l'utilizzo, utilizzare sempre su una superficie solida e piana.

È necessario eseguire controlli strutturali periodici del prodotto, non utilizzarlo in caso di dubbi sulla sua idoneità allo scopo. Non sedersi o stare in piedi sul prodotto. Questi mobili devono essere montati da un adulto competente.

Durante l'assemblaggio stringere leggermente le viti, i bulloni e i dadi. Serrarli saldamente solo alla fine del montaggio, dopo che tutte le parti sono state assemblate. Verificare che i prodotti siano appoggiati in modo stabile sul terreno o su una superficie di base per proteggerli da forti venti e tempeste impreviste. I prodotti che sono più leggeri, compresi i casotti da giardino fatti con pannelli di spessore 12-19 mm, possono essere spazzati via in caso di venti molto forti, se non fissati.

All'inizio della stagione

Verificare che tutti i componenti e gli elementi di fissaggio di questo prodotto siano sicuri, non utilizzarlo se hai dubbi sulla sua idoneità allo scopo.

Alla fine della stagione

Questo prodotto deve essere conservato al coperto durante periodi prolungati di condizioni meteorologiche avverse (umido o freddo) e anche durante l'inverno (idealmente in un casotto da giardino o in un garage). Pulisci e asciuga sempre accuratamente prima di metterlo al riparo.

Istruzioni per la cura delle superfici in legno

Il legno è un materiale naturale il cui aspetto si deteriora quando viene lasciato all'aperto. Il legno deve essere periodicamente sottoposto all'impregnazione o adeguatamente trattato. Chiedi consiglio nel tuo negozio fai da te.

Cura e manutenzione dei mobili

Pulire con una soluzione saponosa delicata. Asciugare con un panno pulito e asciutto. Per ricevere il massimo piacere dal tuo nuovo prodotto, è molto importante che tu legga queste istruzioni. È da tenere presente che la garanzia di qualità di AXI è valida solo se queste istruzioni di manutenzione sono state seguite attentamente.

Per tua informazione:

I prodotti impregnati possono macchiare. Questo effetto scompare dopo poco tempo.

Il colore sui prodotti trattati a pressione può variare da tavola a tavola, può essere più chiaro o più scuro del colore su etichette o foto, queste sono le caratteristiche naturali del legno e perfettamente normali.

Lo scolorimento dovuto al sale impregnante o talvolta la muffa può accumularsi sul prodotto.

Prodotti impregnati sotto vuoto

LEGNO TRATTATO CONTENENTE UN BIOCIDA Il legno trattato con Celcure® C65 è protetto dagli insetti distruttori del legno e dai funghi che marciscono il legno

Principi attivi: Carbonato di rame basico, DDA cloruro e DDA carbonato.

Prodotti trattati con il mordente

PROTIM AQUATAN ES5 è un concentrato a base d'acqua da diluire con acqua. È una finitura decorativa con funzione colorante per legno. Il legno trattato con Protim Aquatan ES5 non è protetto dagli insetti che distruggono il legno o dai funghi che decompongono il legno. Per proteggere il legno da questi organismi è necessario sottoporlo a un trattamento conservativo.

Principi attivi: 3-iodo-2-propinil butilcarbammato, propiconazolo.

Il legno trattato non più utilizzabile può essere smaltito in conformità ai regolamenti di carattere nazionale o locale.

Prodotto per la vita I nostri prodotti sono realizzati in pino nordico che ha una sua naturale resistenza e in abete rosso. Se ben mantenuto, il nostro tavolo da picnic può servirti per un periodo di tempo necessario per crescere un nuovo albero.

Tous les produits sont livrés, si nécessaire, avec un kit de montage des pièces et des instructions d'assemblage simples, étape par étape. Tutti i prodotti, se necessario, vengono forniti con kit di assemblaggio delle parti e sono dotati di semplici istruzioni di montaggio passo-passo.

Come mantenere bello il tuo prodotto per molti anni a venire? Pulire sempre il prodotto con una soluzione di sapone neutro e asciugare con un panno pulito e asciutto.

Se versi il liquido, puliscilo sempre il più rapidamente possibile. I prodotti non verniciati con il passare del tempo diventano grigi, indipendentemente dal colore utilizzato per il trattamento al momento dell'acquisto. Questa è la bellezza naturale del legno e mostra che è in mutamento e continua a vivere anche dopo essersi trasformato in un prodotto. Se desideri verniciare o trattare in altro modo il prodotto, consulta il punto vendita più vicino, dove gli esperti consiglieranno la vernice o il prodotto più adatto al trattamento del legno. Se hai acquistato **un prodotto verniciato**, la prima manutenzione, a seconda delle condizioni meteorologiche, è necessaria solo dopo 3-5 anni. La frequenza della manutenzione dipende da fattori meteorologici e dalla posizione del prodotto. Gli elementi metallici del tuo prodotto devono essere sempre ben oliate. Oliarle almeno una volta all'anno o quando è necessario. Se hai acquistato **un prodotto trattato con il mordente**, la prima manutenzione, a seconda delle condizioni atmosferiche, è necessaria dopo 1-2 anni. La frequenza della manutenzione dipende da fattori meteorologici e dalla posizione del prodotto. I prodotti così trattati non sono protetti dagli insetti che distruggono il legno o dai funghi che decompongono il legno. Il mordente non penetra bene nel legno e, a seconda delle condizioni atmosferiche, può essere dilavato dalle superfici piatte del prodotto. In tal caso, consultare il negozio fai da te più vicino per ottenere i migliori consigli su ulteriore trattamento a casa. Se hai acquistato **un prodotto non trattato (naturale)**, è necessario trattare la sua superficie con un agente antisettico e antimuffa durante l'assemblaggio. Per maggiori informazioni sugli agenti di trattamento disponibili consulta il fai-da-te più vicino. Ulteriori trattamenti dipendono dal trattamento che hai fatto la prima volta. L'agente di trattamento o la vernice devono essere applicati a ciascun elemento separatamente. Se stai verniciando o trattando il pannello assemblato in fabbrica; con qualsiasi altro colore devi tenere presente che durante l'essiccazione si possono verificare alcune parti di legno non verniciate. Questo non può essere motivo del reclamo. Con il passare del tempo la muffa può apparire sui prodotti acquistati naturali, anche dopo il trattamento a casa. Gli elementi metallici del tuo prodotto devono essere sempre ben oliate. Oliarle almeno una volta all'anno o quando è necessario.

Suggerimenti

Assemblaggio

L'assemblaggio deve essere effettuato secondo le istruzioni fornite con il prodotto. L'assemblaggio del prodotto deve essere fatto sempre su una superficie piana e piatta e sempre secondo le istruzioni. **All'inizio del processo di assemblaggio stringere le viti leggermente e serrarli saldamente solo dopo aver completato l'assemblaggio.** Controllare la ferramenta per mobili almeno una volta all'anno: potrebbe essere necessario serrare le viti.

VALERIE DOUBLE CHAIR

ITALIANO

Conservazione

Per massimizzare la longevità del prodotto da esterno in legno è necessario tenerlo al coperto. Si consiglia di coprirlo se deve essere lasciato all'esterno, quando non si usa e non si dispone di una zona ombreggiata. Se non riesci a coprirlo, inclina il prodotto in modo che l'acqua possa defluire. Conservare in un luogo fresco e asciutto quando non si usa. Assicurarsi che l'aria possa circolare liberamente per evitare umidità e muffa.

Muffa

La muffa è un tipo di fungo che prospera in un clima umido. Alla muffa piace molto crescere sui tuoi bei mobili da giardino in legno. Il legno è particolarmente soggetto alla formazione di muffe. Se noti della muffa, puliscila semplicemente con una soluzione di sapone neutro e asciuga con un panno pulito e asciutto.

Il legno grezzo può avere macchie di muffa a puntini o strisce causate dal fungo blu. Utilizzare un primer (nel primo anno utilizzare solo quello trasparente) per il trattamento del legno che protegge il legno dalle macchie blu - consultare il punto vendita più vicino dove gli esperti consiglieranno il prodotto più adatto per il trattamento del legno.

Il legno è vivo. Proprietà naturali del legno che non sono considerate difetti:

Crepe

Il legno è vivo. Durante il suo ciclo di vita possono verificarsi crepe; queste sono accettabili e non influiscono sulla durata del prodotto. Rigonfiamento e ritiro del legno durante l'essiccazione.

Restringimento ed espansione

Dopo l'acquisto, il prodotto in legno continua ad essiccare a lungo e le dimensioni d'ingombro possono perdere fino al 5-8% del volume. Di tanto in tanto testare le viti per garantire la stabilità del prodotto. Nei periodi di pioggia, le parti in legno del prodotto assorbono l'umidità dall'aria e si dilatano.

Superficie rugosa

Nonostante il trattamento delle superfici in legno durante la piallatura o la fresatura sia stato effettuato con la massima cura per dettagli, le superfici possono rimanere semi-ruvidi. Le irregolarità possono mostrare superfici ruvide o rottura di fibre poco pronunciata.

Perdita del sale

Se il prodotto è impregnato ad alta pressione, può verificarsi l'affioramento di una sostanza il cui colore va dal bianco al verdastro. Si tratta della resina presente nel legno miscelata con agenti impregnanti e sparisce con il passare del tempo.

Midollo.

Il midollo delle conifere è al centro del tronco. Il midollo non è un difetto del legno, ma una componente naturale del legno.

Rami e nodi

Una delle caratteristiche del legno sono i rami e nodi. Quando si producono prodotti per il giardino, vengono utilizzati alberi vivi con rami che presentano una quantità di nodi sulle tavole.

L'emergere della resina

Il tuo prodotto è realizzato in pino, abete rosso o larice siberiano. Questi alberi hanno una caratteristica in comune - la resina che può comparire sulla superficie del prodotto. La resina appare spesso dopo periodi più lunghi e potrebbe non essere visibile durante la produzione.

Non sono considerati difetti e non sono soggetti a garanzia: Caratteristiche naturali del legno e usura naturale. Variazione di spessore e dimensioni d'ingombro dei componenti nell'intervallo dal 5 all'8%
Danni causati da un montaggio errato del prodotto.

Danni meccanici.

Prodotti o parti lavorati o modificati in qualsiasi modo dal cliente (ad eccezione delle parti in legno grezzo, trattate con un primer trasparente dopo l'acquisto). Danni causati all'acquirente durante il trasporto e lo spostamento del prodotto. Cambiamento della tonalità e della struttura del legno con il passare del tempo. Deprezzamento del prodotto. Caduta dei nodi, se non influisce sulla resistenza complessiva del prodotto. Flessione e torsione delle parti in legno se ciò non pregiudica la stabilità del prodotto.

Qualsiasi danno non legato direttamente alla qualità del processo produttivo. Comparsa di muffa sul prodotto, anche dopo il trattamento a casa, se il prodotto è stato acquistato non trattato (naturale). Se i pannelli pronti sono stati verniciati a casa, le zone dove la vernice non è si manifestano con il passare del tempo.

Gli accessori che fanno parte della confezione del prodotto possono differire da quelli presenti nelle istruzioni di montaggio (se fornite). Ciò non pregiudica le caratteristiche di resistenza del prodotto.

Garanzia

La garanzia sulla durata della struttura del prodotto è di 24 mesi. Per problemi di garanzia, contattare il venditore diretto, presentando la prova di acquisto.

VALERIE DOUBLE CHAIR

AXI

AXI is one of our brands with awesome products of great quality, that offers hours of active fun!

Pragma

Kruisboog 40
3905 TG Veenendaal
Netherlands
T: +31 (0)318 - 57 88 00
info@pragma-trading.com
www.pragma-trading.com



230105BVG