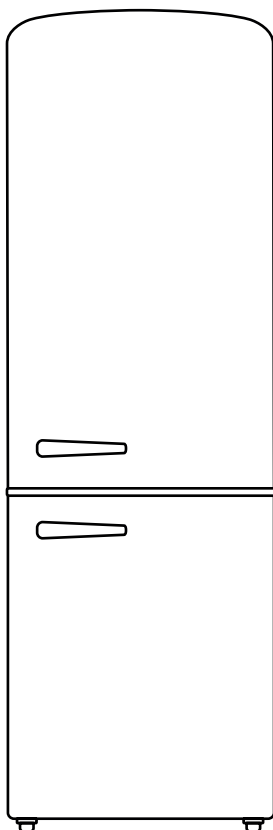


# CREATE

## FRIDGE STYLANCE



**330L FRIDGE-FREEZER**  
**FRIGORÍFICO COMBI 330L**

---

**USER MANUAL**





## INDEX

---

### ENGLISH

Security instructions	6
List of parts	8
Facility	8
Control Panel	9
Temperature setting	9
Modes	9
Care and maintenance	10
Food storage	10
Problem resolution	11

### PORTUGUÊS

Instruções de segurança	20
Lista de peças	22
Instalação	22
Painel de controle	23
Ajuste de temperatura	23
Modos	23
Cuidado e manutenção	24
armazenamento de alimentos	24
Resolução de problemas	25

### ESPAÑOL

Instrucciones de seguridad	13
Lista de partes	15
Instalación	15
Panel de control	16
Ajuste de temperatura	16
Modos	16
Cuidado y mantenimiento	17
Almacenamiento de alimentos	17
Resolución de problemas	18

### FRANÇAIS

Consignes de sécurité	27
Liste des pièces	29
Facilité	29
Panneau de commande	30
Réglage de la température	30
Modes	30
Entretien et maintenance	31
Stockage alimentaire	31
Résolution des problèmes	32

## INDEX

---

### ITALIANO

Istruzioni di sicurezza	34
Elenco delle parti	36
Facilità	36
Pannello di controllo	37
Impostazione della temperatura	37
Modalità	37
Cura e manutenzione	38
Dispensa	38
Risoluzione del problema	39

### NEDERLANDS

Beveiligingsinstructies	49
Lijst met onderdelen	51
Faciliteit	51
Controlepaneel	52
Temperatuur instelling	52
Modi	52
Verzorging en onderhoud	53
Voedselopslag	53
Probleem oplossing	54

### DEUTSCH

Sicherheitshinweise	42
Liste der Teile	44
Einrichtung	44
Schalttafel	45
Temperatureinstellung	45
Modi	45
Pflege und Wartung	46
Essenslager	46
Problemlösung	47

### POLSKI

Instrukcje bezpieczeństwa	56
Lista części	58
Obiekt	58
Panel sterowania	59
Ustawienie temperatury	59
Tryby	59
Opieka i utrzymanie	60
magazyn żywności	60
Rozwiązanie problemu	61

# ENGLISH

---

Thank you for choosing our fridge-freezer. Before using the appliance, and to ensure the best use, carefully read these instructions.

The safety precautions enclosed herein reduce the risk of death, injury and electrical shock when correctly adhered to. Keep the manual in a safe place for future reference, along with the completed warranty card, purchase receipt and package. If applicable, pass these instructions on to the next owner of the appliance. Always follow basic safety precautions and accident-prevention measures when using an electrical appliance. We assume no liability for customer failing to comply with these requirements.

---

## SECURITY INSTRUCTIONS

---

Before using any electrical appliance, please read the following basic safety precautions carefully.

- This appliance can be used by children aged from 8 years and above and persons with reduced physical, sensory or mental capabilities or lack of experience and knowledge if they have been given supervision or instruction concerning use of the appliance in a safe way and understand the hazards involved.
- Children should not play with this appliance.
- Keep ventilation openings, in the appliance enclosure or built-in structure, free from obstruction.
- Do not damage the refrigerant circuit.
- Do not use electrical appliances inside the food storage compartments of the appliance, unless they are of the type recommended by the manufacturer.
- Do not store explosive substances such as aerosol cans with a flammable propellant in this appliance.
- To avoid a hazard due to instability of the device, it must be fixed in accordance with the instructions.
- This refrigeration appliance is not designed to be used as a built-in appliance.
- After installing the refrigerator, the plug must be easily accessible to facilitate unplugging in case of any accident.
- Never damage the power line.
- Never unplug the refrigerator plug by dragging the power line. To remove the plug, hold it and pull it out of the socket.
- Prevent the refrigerator body from crushing the power line or being stepped on by someone.

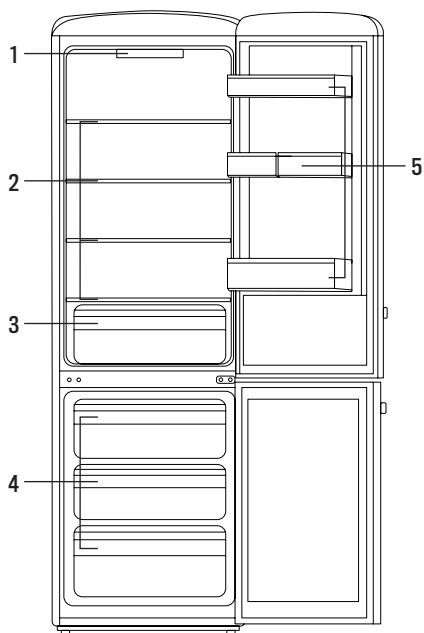
- When placing the appliance, make sure that the power cord is not caught or damaged. Never coil the power cord or it may be damaged.
- If the power cable is damaged, do not use the product. Contact technical service so that the product can be repaired by the corresponding service technician.
- Avoid the entry of water into the device.
- NEVER spray or wash the refrigerator with water, or place the refrigerator in an area exposed to moisture or splashing water.
- After operating the refrigerator, never touch its inner surface, especially when your hand is wet, otherwise the skin may stick to the inner surface and be injured.
- Do not store bottled liquid foods in the freezer compartment.
- Do not put frozen products, taken directly from the freezer, into the mouth, its low temperature can cause severe frostbite.
- When disposing of the appliance, do so only at an authorized waste disposal facility.
- To avoid food contamination, observe the following instructions:
  - Opening the door for long periods can cause a significant rise in temperature in the appliance compartments.
  - Regularly clean surfaces that may come into contact with food and accessible drainage systems.
  - Store raw meat and fish in suitable containers in the refrigerator, so that they do not come into contact with other products or drip onto other foods.
  - The two star frozen food compartments are suitable for storing pre-frozen food, ice cream and making ice cubes.
  - One, two and three star compartments are not suitable for freezing fresh food.

---

## LIST OF PARTS

---

1. Control Panel
2. Glass shelves
3. Vegetable drawer
4. Freezer drawers
5. Door racks



---

## FACILITY

---

- Take the product out of the package and remove the adhesive tape that protects the door and the equipment.

**Note.** Remaining adhesive stains can be removed with a mild washing agent.

**Caveat.** The refrigerator should be kept away from high temperatures, sunlight or humid conditions.

- Make sure the refrigerator is leveled in an upright position for 2 hours before connecting the appliance to a power source, this will reduce the possibility of a malfunction in the cooling system.
- Do not tilt the refrigerator more than 45° upright when moving it.
- Do not apply force to any part such as the condenser, door and its handle to prevent the refrigerator from being deformed, or its performance will be affected.
- The refrigerator must be placed on a flat, firm and stable surface. If it needs to be lifted, use a stable and solid pad. Never use packing foam as a pad to raise the refrigerator.
- Make sure to place the appliance in a horizontal position by screwing the 2 front adjustable feet.
- Do not place the refrigerator in an area exposed to moisture or splashing water.

**Note.** Water splash or dirt on the refrigerator should be removed in time with a soft cloth to prevent rust and deterioration of electrical insulativity.

- Do not place the refrigerator in an environment below 5°C, or use it in the rain.
- The refrigerator should be kept away from the heat source and protected from sunlight, to avoid influencing the normal operation of the refrigerator.
- The appliance is only applied with 220~240V/50Hz single-phase alternating current power supply. The device uses a grounded wall plug in accordance with current recommendations.



- If the power cord is damaged, do not replace it and contact technical support.
- The plug must be easily accessible but out of the reach of children. If you are not sure, contact your installer.
- The refrigerator is designed for freestanding installation.
- To ensure that the doors open freely, and that there is adequate ventilation from all sides, there must be a minimum distance between the sides of the appliance and the wall of 30 cm to the top and 5 cm to the sides. The space should never be less, otherwise the normal operation of the refrigerator may be adversely affected.
- Clean the refrigerator with a cloth but do not plug it in afterwards.
- Keep the refrigerator still for more than 2 hours and then plug it into the power outlet to ensure the normal operation of the refrigerator. After turning on the power supply, the refrigerator will start to work. Make sure the doors are properly closed.
- After 2-3 hours, adjust the temperature, and then fill the food according to the instructions. It is normal for the compressor to run longer during the initial plugging and then run intermittently.
- Do not turn off the power supply of the refrigerator unless it is necessary. The interruption may cause a rise in temperature inside the refrigerator.

## CONTROL PANEL



### TEMPERATURE SETTING

Press the button “Fridge/Freezer” to adjust the temperature setting. The temperature will rise or fall by 1°C for each press.

- Refrigerator temperature range: 2~8°C
- Freezer temperature range: -16°C~-24°C

### MODES

Press the button mode to select the mode you want.

During the mode change, the icon will flash 5 times, then the light will be solid and the mode will be selected.

- rapid cooling

In this mode the refrigerator compartment will be kept at 2°C for 12 hours. If you manually change the temperature setting and the “Quick Cool” icon light will turn off. Freezer compartment temperature will not affect this function.

- Quick freeze

This mode will keep the freezer at -24°C for 24 hours. If you manually change the temperature, the freezer will stop working in this mode. Any temperature change in the refrigerator compartment will not affect the “Fast Freeze” function.

- Optimum

In this mode the refrigerator temperature will be 5°C and the freezer temperature will be -18°C. Any change in temperature will automatically turn off “Best” mode and follow the new setup instructions.

---

## CARE AND MAINTENANCE

---

The refrigerator has been equipped with an automatic defrost function (no-frost). The defrost water will go into the water pan and evaporate.

- The inside of the refrigerator should be thoroughly cleaned every year. Always remember to unplug before cleaning the plug from the outlet and emptying the refrigerator.
- Clean with a damp cloth or sponge dampened with water or a mild detergent. To clean the refrigerator, never use solvents, boiled water, powder detergent, acid or the like.
- In a humid environment or rainy weather, the surface of the refrigerator may be dewy, especially on the outer surface of the door. This is caused by contact with moisture in the air. In such a case, the surface can be dried with a dry cloth.
- In order to ensure the normal operation of the refrigerator for a long period of time, the user should inspect the refrigerator regularly. If you find any abnormality, contact the technical service.
- During the cleaning operation, do not use water to rinse the compressor compartment of the refrigerator.
- After cleaning the refrigerator, dry it with a dry cloth to prevent rust.
- Take special care with the door gasket as if any liquid falls it could damage it. Make sure to keep it clean and dry.

### **Take out and put in the shelves**

- Hold the rear part higher to slide the shelf out, then slide it in as far as it will go so its bracket can fit into the guide slot.

### **Take out and put in the drawer**

- Make the front part higher and pull it out, then slide it as far as it will go until it stops.

### **Take out and put in the door rack**

- Lift the door shelf up, remove it and reposition it in the required position.

### **After cleaning check that:**

- There is no damage to the power cord.
- If the plug can be plugged in without problems.
- If there is any abnormal heat in the plug.
- If any of the above happens, unplug the refrigerator and contact technical support.

---

## FOOD STORAGE

---

1. Before storing food in your refrigerator, make sure the food, especially food with water, is dry and not leaking.
2. Hot or warm food should be placed in the refrigerator after cooling to save energy.
3. Each shelf can be removed for easy access to bottles.
4. Leave adequate space between foods for better air ventilation in the refrigerator.
5. It is recommended to store food in pieces for best results.
6. Store fruits and vegetables after cleaning in proper wrapping or in properly sealed containers to avoid unexpected odors.
7. Store fruits and vegetables in the crisper so they stay fresh.
8. Keep fresh, hot foods at room temperature away from products that have already been frozen.

The storage time of frozen products depends on their quality before freezing when fresh, and on the storage temperature.

The following storage periods are recommended when the temperature is -18°C or lower:

PRODUCTS	MONTHS
Meat	6-8
Veal	3-6
Giblets	1-2
Pork	3-6
Poultry	6-8
Fish	3-6

The refrigerator drawer is for all delicate and perishable foods, for example:

- Vegetables and other pre-packaged fresh foods with a label indicating that they should be kept at a temperature of approximately 4°C.
- Fresh dough, cake mixes, ...
- Dishes or bakery products containing eggs or cream.
- Sausages and prepared dishes.
- Butter and cheese.

Not all foods are suitable for keeping in the refrigerator. Make sure you store the products correctly.

## PROBLEM RESOLUTION

ISSUE	CAUSE	SOLUTION
The fridge doesn't work.	The power supply is not connected.	Turn on the power supply.
	The refrigerator is freezing automatically.	It is a normal phenomenon.
	The compressor is provided with a protection mode.	Compressor operation interval is 5 minutes
	The computer board is damaged.	Notify the manufacturer for repair.
the noise is too loud	The refrigerator is not level.	Level the refrigerator if it is not level.
	The refrigerator is touching furniture and/or other objects.	Place the appliance in a place that ensures adequate spaces around it.
	The fan is not fixed firmly.	Notify the manufacturer for repair.
The refrigerator light is not on	The illumination lamp is damaged.	Notify manufacturer for lamp replacement.
	Check if the power supply is turned on.	Check the power supply.

ISSUE	CAUSE	SOLUTION
There is humidity outside the refrigerator	The door is opened too often or is open for too long.	Do not open and close the door so often or try not to keep the door open for a long time.
	The external environment is very wet.	Dry the refrigerator with a dry paper.
	The refrigerator temperature is too low.	Set a suitable temperature.
Compressor keeps running for a long time	<p>If the temperature in summer is too high, the compressor will work for a long time. This is normal.</p> <p>If the refrigerator does not get cold enough, check the following items:</p> <ul style="list-style-type: none"> <li>• If the refrigerator door does not seal well or if it is opened too often, close the door well and open it less often.</li> <li>• Do not put too many drinks in the refrigerator and keep a certain space between foods.</li> <li>• If the temperature inside the refrigerator reaches too low a temperature, check the temperature setting and adjust the temperature to a higher level.</li> </ul>	
Food freezes in the refrigerator compartment	<ul style="list-style-type: none"> <li>• Check that food is not placed too close to the sensor.</li> <li>• Check that food is not placed too close to the air outlet.</li> </ul>	
Cooling too low	<ul style="list-style-type: none"> <li>• Check that the refrigerator is not exposed to sunlight or any heat source located in its immediate area.</li> <li>• Temperature control is not set correctly.</li> <li>• A large amount of warm or hot food was recently stored. Wait for the refrigerator to reach the selected temperature.</li> <li>• The drinks in the fridge are crowded and this prevents the correct circulation of fresh air.</li> <li>• The refrigerator door opens too often or does not close properly.</li> </ul>	
There is a bad smell in the refrigerator	<ul style="list-style-type: none"> <li>• When the refrigerator is new, it may give off a smell of foaming agent or plastic. That is normal, the smell will disappear with time of use.</li> <li>• Check if there is any spoiled food or drink inside the refrigerator.</li> <li>• Any beverage with a scent should be sealed tightly using the plastic bag.</li> <li>• Periodically clean the refrigerator.</li> </ul>	
The refrigerator makes a sound like liquid flowing	That sound is generated from the flow of refrigerant within the circulation of the refrigeration system piping. That's normal. No further treatment is required.	
The refrigerator makes an abnormal sound	<ul style="list-style-type: none"> <li>• This is the sound generated when the refrigerator starts or stops.</li> <li>• This is caused when there are changes in the temperature inside the refrigerator or when the refrigerator is being started or stopped.</li> <li>• Bubbling or gurgling sounds (like water boiling). This is the normal sound of refrigerant circulating throughout the system.</li> </ul>	



In compliance with Directives: 2012/19/EU and 2015/863/EU on the restriction of the use of dangerous substances in electric and electronic equipment as well as their waste disposal. The symbol with the crossed dustbin shown on the package indicates that the product at the end of its service life shall be collected as separate waste. Therefore, any products that have reached the end of their useful life must be given to waste disposal centres specialising in separate collection of waste electrical and electronic equipment, or given back to the retailer at the time of purchasing new similar equipment, on a one for one basis. The adequate separate collection for the subsequent start-up of the equipment sent to be recycled, treated and disposed of in an environmentally compatible way contributes to preventing possible negative effects on the environment and health and optimises the recycling and reuse of components making up the apparatus. Abusive disposal of the product by the user involves application of the administrative sanctions according to the laws.

Gracias por elegir nuestra nevera y congelador. Antes de utilizar este electrodoméstico y para asegurar su mejor uso, por favor, lea detenidamente las instrucciones.

Las medidas de seguridad aquí indicadas reducen el riesgo de incendio, descarga eléctrica y lesiones cuando se siguen correctamente. Guarde el manual en un lugar seguro para futuras referencias, así como la garantía, el recibo de compra y la caja. Si procede, entregue estas instrucciones al futuro propietario del electrodoméstico. Siempre siga las instrucciones básicas de seguridad y las medidas de prevención de riesgos cuando utilice un electrodoméstico eléctrico. El fabricante no se responsabilizará de ningún daño derivado del incumplimiento de estas instrucciones por parte del usuario.

---

## INSTRUCCIONES DE SEGURIDAD

---

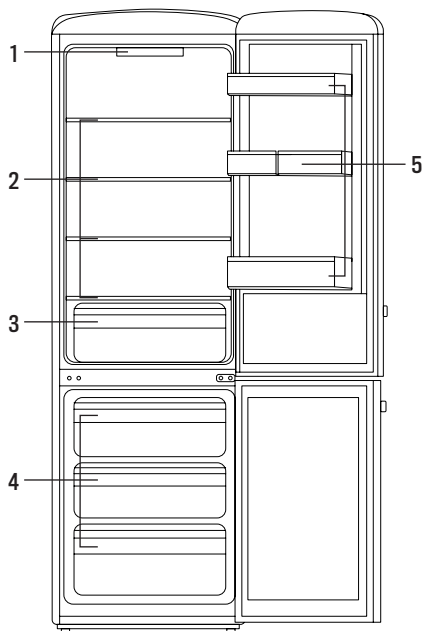
Antes de utilizar cualquier aparato eléctrico, lea detenidamente las siguientes precauciones básicas de seguridad.

- Este aparato puede ser utilizado por niños a partir de 8 años y personas con discapacidad, capacidades físicas, sensoriales o mentales o falta de experiencia y conocimiento si se han dado supervisión o instrucción sobre el uso del aparato de manera segura y comprender los peligros que conlleva.
- Los niños no deben jugar con el este aparato.
- Mantenga las aberturas de ventilación, en el recinto del aparato o en la estructura integrada, libres de obstrucción.
- No dañe el circuito de refrigerante.
- No utilice aparatos eléctricos dentro de los compartimentos de almacenamiento de alimentos del aparato, a menos que sean del tipo recomendado por el fabricante.
- No almacene sustancias explosivas como latas de aerosol con un propulsor inflamable en este aparato.
- Para evitar un peligro debido a la inestabilidad del aparato, debe fijarse de acuerdo con las instrucciones.
- Este aparato de refrigeración no está diseñado para ser utilizado como un aparato empotrado.
- Después de instalar el frigorífico, el enchufe debe ser de fácil acceso para facilitar desenchufarlo en caso de cualquier accidente.
- Nunca dañe la línea eléctrica.
- Nunca desconecte el enchufe del frigorífico arrastrando la línea eléctrica. Para quitar el enchufe, sosténgalo y sáquelo del zócalo.
- Evite que el cuerpo del frigorífico aplaste la línea eléctrica o que alguien la pisotee.

- Al colocar el aparato, asegúrese de que el cable de alimentación no quede atrapado o dañado. Nunca enrolle el cable de alimentación o podría dañarse.
- Si el cable de alimentación está dañado no utilice el producto. Pongase en contacto con el servicio técnico para que el producto pueda ser reparado por el técnico de mantenimiento correspondiente.
- Evite la entrada de agua en el aparato.
- NUNCA rocíe o lave el frigorífico con agua, ni coloque el frigorífico en un área expuesta a la humedad o a las salpicaduras de agua.
- Después de poner el frigorífico en funcionamiento, nunca toque su superficie interna, especialmente cuando su mano esté mojada, de lo contrario, la piel podría adherirse a la superficie interna y lesionarse.
- No almacene alimentos líquidos embotellados en la cámara del congelador.
- No coloque productos congelados, sacados directamente del congelador en la boca, su baja temperatura puede causar congelación grave.
- Cuando deseche el aparato, hágalo únicamente en un centro de eliminación de residuos autorizado.
- Para evitar la contaminación de los alimentos, respete las siguientes instrucciones:
  - Abrir la puerta por períodos prolongados puede causar un aumento significativo de la temperatura en el compartimentos del aparato.
  - Limpie regularmente las superficies que puedan entrar en contacto con los alimentos y los sistemas de drenaje accesibles.
  - Guarde la carne y el pescado crudos en recipientes adecuados en el frigorífico, para que no entren en contacto con otros productos o goteen sobre otros alimentos.
  - Los compartimentos de alimentos congelados de dos estrellas son adecuados para almacenar alimentos precongelados, helados y hacer cubitos de hielo.
  - Los compartimentos de una, dos y tres estrellas no son adecuados para congelar alimentos frescos.

## LISTA DE PARTES

1. Panel de control
2. Estantes de cristal
3. Cajón para verdura
4. Cajones del congelador
5. Estanterías de la puerta



## INSTALACIÓN

- Saque el producto del paquete y retire la cinta adhesiva que protege la puerta y el equipo.  
**Nota.** Las manchas de adhesivo restantes se pueden eliminar con un agente de lavado suave.  
**Advertencia.** El refrigerador debe mantenerse alejado de altas temperaturas, luz solar o condiciones húmedas.
- Asegúrese de que el refrigerador esté nivelado en posición vertical durante 2 horas antes de conectar el aparato a una fuente de alimentación, esto reducirá la posibilidad de un mal funcionamiento en el sistema de enfriamiento.
- No incline el refrigerador más de 45° en posición vertical cuando lo mueva.
- No aplique fuerza sobre ninguna parte, como el condensador, la puerta y su manija para evitar que el refrigerador se deforme, o su rendimiento se verá afectado.
- El refrigerador debe colocarse sobre una superficie plana, firme y estable. Si necesita ser elevado, utilice una almohadilla estable y sólida. Nunca utilice la espuma de embalaje como almohadilla para elevar el refrigerador.
- Asegúrese de colocar el aparato en posición horizontal atornillando las 2 patas delanteras ajustables.
- No coloque el refrigerador en un área expuesta a la humedad o salpicaduras de agua.  
**Nota.** La salpicadura de agua o la suciedad en el refrigerador debe eliminarse oportunamente con un paño suave para evitar la oxidación y el deterioro de la insulatividad eléctrica.
- No coloque el refrigerador en un ambiente inferior a 5°C, ni lo use bajo la lluvia.
- El refrigerador debe mantenerse alejado de la fuente de calor y protegido de la luz solar, para evitar influir en el funcionamiento normal del refrigerador.
- El aparato sólo se aplica con alimentación de corriente alterna monofásica de 220~240V/50Hz. El dispositivo utiliza un enchufe de pared conectado a tierra de acuerdo con las recomendaciones actuales.

- Si el cable de alimentación está dañado, no proceda a su sustitución y póngase en contacto con el servicio técnico.
- El enchufe debe ser fácilmente accesible pero fuera del alcance de los niños. Si no está seguro, póngase en contacto con su instalador.
- El frigorífico está diseñado para una instalación independiente.
- Para asegurar que las puertas se abren libremente, y que existe una ventilación adecuada desde todos los lados, debe haber una distancia mínima entre los lados del aparato y la pared de 30 cm hasta la parte superior y 5 cm de los lados. El espacio nunca debe ser menor, de lo contrario, el funcionamiento normal del frigorífico puede verse afectado negativamente.
- Limpie el frigorífico con un paño pero no lo enchufe posteriormente.
- Mantenga el frigorífico inmóvil durante más de 2 horas y luego enchúfelo a la toma de corriente para garantizar el funcionamiento normal del frigorífico. Tras de encender la fuente de alimentación, el frigorífico comenzará a funcionar. Asegúrese de que las puertas están correctamente cerradas.
- Después de 2 a 3 horas, ajuste la temperatura y luego llene los alimentos de acuerdo con las instrucciones. Es normal que el compresor funcione más tiempo durante el taponamiento inicial y luego funcione intermitentemente.
- No apague la fuente de alimentación del frigorífico a no ser que sea necesario. La interrupción puede causar un aumento de la temperatura dentro del frigorífico.

## PANEL DE CONTROL



### AJUSTE DE TEMPERATURA

Presione el botón “Frigorífico/Congelador” para ajustar la configuración de temperatura. La temperatura subirá o bajará 1°C por cada pulsación.

- Rango de temperatura del frigorífico: 2-8°C.
- Rango de temperatura del congelador: -16°C~-24°C.

### MODOS

Presione el botón modo para seleccionar el modo que desee.

Durante el cambio de modo, el icono parpadeará 5 veces, después la luz quedará fija y el modo quedará seleccionado.

- Enfriamiento rápido

En este modo el compartimento frigorífico se mantendrá a 2°C durante 12 horas. Si modifica manualmente el ajuste de temperatura y la luz del icono “Enfriamiento rápido” se apagará. Temperatura del compartimento congelador no afectará a esta función.

- Congelación rápida

Este modo mantendrá el congelador a -24°C durante 24 horas. Si modifica la temperatura manualmente el congelador este modo dejará de funcionar. Cualquier cambio de temperatura en el compartimento del frigorífico no afectará la función de “Congelación rápida”.

- Óptimo

En este modo la temperatura del frigorífico será de 5°C y la del congelador a -18°C. Cualquier cambio de temperatura apagará automáticamente el modo “Óptimo” y seguirá las nuevas instrucciones de configuración.



---

## CUIDADO Y MANTENIMIENTO

---

El frigorífico ha sido equipado con una función de descongelación automática (no-frost). El agua de la descongelación irá a la bandeja de agua y se evaporará.

- El interior del frigorífico debe limpiarse a fondo todos los años. Recuerde siempre desenchufar antes de limpiar el enchufe de la toma de corriente y vaciar el frigorífico.
- Limpie con un paño húmedo o una esponja humedecida con agua o detergente suave. Para limpiar el frigorífico nunca use disolventes, agua hervida, detergente en polvo, ácido o similares.
- En un ambiente húmedo o en clima lluvioso, la superficie del frigorífico puede tener rocío, especialmente en la superficie exterior de la puerta. Esto es causado por el contacto con la humedad en el aire. En tal caso, la superficie se puede secar con un paño seco.
- Para garantizar el funcionamiento normal del frigorífico durante un largo período de tiempo, el usuario debe inspeccionar el frigorífico regularmente. Si encuentra alguna anomalía pongase en contacto con el servicio técnico.
- Durante la operación de limpieza, no use agua para enjuagar el compartimiento del compresor de el frigorífico.
- Trás limpiar el frigorífico sequelo con un paño seco para prevenir la oxidación.
- Tenga especial cuidado con la junta de la puerta ya que si cae algún líquido podría dañarla. Asegúrese de mantenerla limpia y seca.

### **Sacar y poner los estantes**

- Mantenga la parte trasera más alta para deslizar el estante hacia afuera, luego deslícelo hacia adentro tanto como sea posible para que su abrazadera pueda ajustarse a la ranura guía.

### **Sacar y poner en el cajón**

- Haga que la parte delantera sea más alta y sáquela, luego deslícela lo más posible hasta que se detenga.

### **Sacar y poner el estante de la puerta**

- Levante el estante de la puerta, retírelo y vuelva a colocarlo desde arriba en la posición requerida.

### **Trás la limpieza compruebe que:**

- No haya ningún daño en el cable de alimentación.
- Si el enchufe se puede enchufar sin problemas.
- Si hay algún calor anormal en el enchufe.
- Si ocurre algo de lo anterior, desenchufe el frigorífico y pongase en contacto con el servicio técnico.

---

## ALMACENAMIENTO DE ALIMENTOS

---

1. Antes de almacenar alimentos en su frigorífico asegúrese de que los alimentos, especialmente los alimentos con agua, estén secos y no goteen.
2. Los alimentos calientes o tibios deben colocarse en el frigorífico después de enfriarse para ahorrar energía.
3. Cada estante se puede sacar para facilitar el acceso a botellas.
4. Deje un espacio adecuado entre los alimentos para una mejor ventilación del aire en el frigorífico.
5. Se recomienda almacenar los alimentos en pedazos para mejores resultados.
6. Almacene frutas y verduras trás su limpieza con el envoltorio adecuado o en recipientes con el sellado adecuado para evitar olores inesperados.
7. Guarde las frutas y verduras en el cajón de verduras para que estén frescas.
8. Mantenga los alimentos frescos y calientes a temperatura ambiente lejos de los productos que ya han sido congelados.

El tiempo de almacenamiento de los productos congelados depende de su calidad antes de la congelación cuando están frescos, y de la temperatura de almacenamiento. Se recomiendan los siguientes períodos de almacenamiento cuando la temperatura es de -18°C o inferior:

PRODUCTOS	MESES
Carne	6-8
Ternera	3-6
Menudillos	1-2
Cerdo	3-6
Aves de corral	6-8
Pescado	3-6

El cajón del frigorífico es para todos los alimentos delicados y perecederos, por ejemplo:

- Verduras y otros alimentos frescos preenvasados con una etiqueta que indique que deben mantenerse a una temperatura de aproximadamente 4°C.
- Masa fresca, mezclas para pasteles, ...
- Platos o productos de panadería que contengan huevos o nata.
- Embutidos y platos preparados.
- Mantequilla y queso.

No todos los alimentos son aptos para conservarse en el frigorífico. Asegúrese que guarda los productos correctamente.

## RESOLUCIÓN DE PROBLEMAS

PROBLEMA	CAUSA	SOLUCIÓN
El frigorífico no funciona.	La fuente de alimentación no está conectada.	Encienda la fuente de alimentación.
	El frigorífico se está congelando automáticamente.	Es un fenómeno normal.
	El compresor está provisto de un modo de protección.	El intervalo de operación del compresor es de 5 minutos
	La placa de la computadora está dañada.	Avise al fabricante para su reparación.
El ruido es demasiado alto	El frigorífico no está nivelado.	Nivele el frigorífico si no está nivelado.
	El frigorífico está tocando muebles y/u otros objetos.	Coloque el aparato en un lugar que asegure los espacios adecuados a su alrededor.
	El ventilador no está fijado firmemente.	Avise al fabricante para su reparación.
La luz del frigorífico no está encendida	La lámpara de iluminación está dañada.	Notifique al fabricante para su reemplazo la lámpara.
	Compruebe si la fuente de alimentación está encendida.	Compruebe la fuente de alimentación.

PROBLEMA	CAUSA	SOLUCIÓN
Hay humedad fuera de frigorífico	La puerta se abre con demasiada frecuencia o está abierta durante demasiado tiempo.	No abra ni cierre la puerta con tanta frecuencia o e intente no tener la puerta abierta durante mucho tiempo.
	El ambiente externo es muy húmedo.	Seque el frigorífico con una papel seco.
	La temperatura del frigorífico es demasiado baja.	Establezca una temperatura adecuada.
El compresor sigue operando por largo tiempo	Si la temperatura en verano es demasiado alta, el compresor funcionará durante mucho tiempo. Esto es normal. Si el frigorífico no se enfría lo suficiente, verifique los siguientes elementos:	<ul style="list-style-type: none"> <li>• Si la puerta del frigorífico no está bien sellada o si está abierta con demasiada frecuencia, cierre bien la puerta y ábrala con menos frecuencia.</li> <li>• No coloque demasiadas bebidas en el frigorífico y mantenga un cierto espacio entre alimentos.</li> <li>• Si la temperatura dentro del frigorífico alcanza la temperatura demasiado baja, verifique la configuración de la temperatura y ajuste la temperatura a un nivel más alto.</li> </ul>
La comida se congela en el compartimento del frigorífico	<ul style="list-style-type: none"> <li>• Compruebe que la comida no se coloca demasiado cerca del sensor.</li> <li>• Compruebe que los alimentos no se colocan demasiado cerca de la salida de aire.</li> </ul>	
La refrigeración de demasiado baja	<ul style="list-style-type: none"> <li>• Compruebe que el frigorífico no está expuesto a la luz solar o cualquier fuente de calor ubicada en su área inmediata.</li> <li>• El control de temperatura no está configurado correctamente.</li> <li>• Recientemente se almacenó una gran cantidad de alimentos tibios o calientes. Esperen a que el frigorífico alcance la temperatura seleccionada.</li> <li>• Las bebidas en el frigorífico están abarrotadas y esto impide la circulación correcta del de aire fresco.</li> <li>• La puerta del frigorífico se abre con mucha frecuencia o no se cierra correctamente.</li> </ul>	
Existe un mal olor en el frigorífico	<ul style="list-style-type: none"> <li>• Cuando el frigorífico es nuevo puede desprender olor a agente espumante o plástico. Eso es normal, el olor desaparecerá con el tiempo de uso.</li> <li>• Compruebe si existe alguna bebida o comida en mal estado dentro del frigorífico.</li> <li>• Cualquier bebida con olor deberá sellarse herméticamente usando la bolsa de plástico.</li> <li>• Limpie periódicamente el frigorífico.</li> </ul>	
El frigorífico produce un sonido como que fluye líquido	Ese sonido se genera a partir del flujo del refrigerante dentro de la circulación de la tubería del sistema de refrigeración. Eso es normal. No se requiere más tratamiento.	
El frigorífico produce un sonido anormal	<ul style="list-style-type: none"> <li>• Este es el sonido generado durante el arranque o parada del frigorífico.</li> <li>• Esto es causado cuando se producen cambios en la temperatura interior del frigorífico o cuando el frigorífico está siendo iniciado o detenido.</li> <li>• Sonidos de burbujeo o gorgoteo (como agua hirviendo). Este es el sonido normal de refrigerante que circula por todo el sistema.</li> </ul>	



En cumplimiento de las directivas: 2012/19 / UE y 2015/863 / UE sobre la restricción del uso de sustancias peligrosas en equipos eléctricos y electrónicos, así como su eliminación de residuos. El símbolo con el cubo de basura cruzado que se muestra en el paquete indica que el producto al final de su vida útil se recogerá como residuo separado. Por lo tanto, cualquier producto que haya llegado al final de su vida útil debe entregarse a centros de eliminación de residuos especializados en la recogida selectiva de equipos eléctricos y electrónicos de desecho, o devolverse al minorista al momento de comprar equipos nuevos similares, en uno para Una base. La recolección separada adecuada para la posterior puesta en marcha de los equipos enviados para ser reciclados, tratados y eliminados de una manera compatible con el medio ambiente contribuye a prevenir posibles efectos negativos sobre el medio ambiente y la salud y optimiza el reciclaje y la reutilización de los componentes que componen el aparato. La eliminación abusiva del producto por parte del usuario implica la aplicación de las sanciones administrativas de acuerdo con las leyes.

Obrigado por escolher a nossa geladeira. Antes de usar este aparelho e para garantir seu melhor uso, leia atentamente as instruções.

As medidas de segurança listadas aqui reduzem o risco de incêndio, choque elétrico e ferimentos quando seguidas adequadamente. Mantenha o manual em um local seguro para referência futura, bem como a garantia, recibo de compra e caixa. Se aplicável, passe essas instruções ao futuro proprietário do dispositivo. Siga sempre as instruções básicas de segurança e as medidas de prevenção de riscos ao usar um aparelho elétrico. O fabricante não será responsável por nenhum dano derivado da falha do usuário em cumprir estas instruções.

---

## INSTRUÇÕES DE SEGURANÇA

---

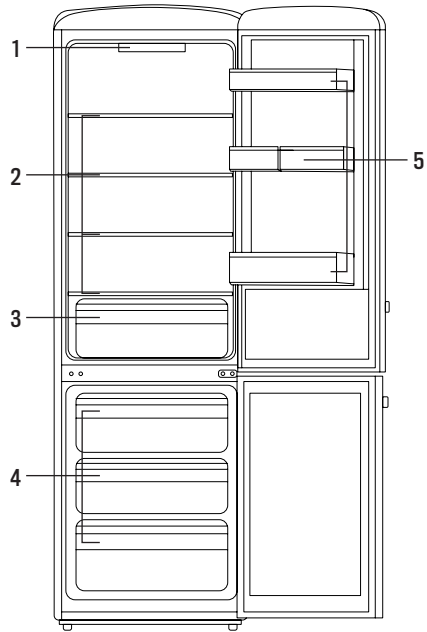
Antes de usar qualquer aparelho elétrico, leia atentamente as seguintes precauções básicas de segurança.

- Este aparelho pode ser utilizado por crianças com idade igual ou superior a 8 anos e pessoas com capacidades físicas, sensoriais ou mentais reduzidas ou com falta de experiência e conhecimento, desde que sejam supervisionadas ou instruídas sobre o uso do aparelho de forma segura e compreendam os perigos envolvido. .
- As crianças não devem brincar com este aparelho.
- Mantenha as aberturas de ventilação, na caixa do aparelho ou na estrutura embutida, livres de obstruções.
- Não danifique o circuito refrigerante.
- Não use aparelhos elétricos dentro dos compartimentos de armazenamento de alimentos do aparelho, a menos que sejam do tipo recomendado pelo fabricante.
- Não armazene substâncias explosivas, como latas de aerossol com um propulsor inflamável neste aparelho.
- Para evitar riscos devido à instabilidade do dispositivo, ele deve ser fixado de acordo com as instruções.
- Este aparelho de refrigeração não foi concebido para ser utilizado como aparelho de encastrar.
- Após a instalação do refrigerador, o plugue deve ficar facilmente acessível para facilitar a desconexão em caso de acidente.
- Nunca danifique a linha de alimentação.
- Nunca desligue a ficha do frigorífico arrastando o cabo de alimentação. Para remover o plugue, segure-o e puxe-o para fora da tomada.
- Evite que o corpo do refrigerador esmague a linha de energia ou seja pisado por alguém.

- Ao colocar o aparelho, certifique-se de que o cabo de alimentação não está preso ou danificado. Nunca enrole o cabo de alimentação ou pode danificá-lo.
- Se o cabo de alimentação estiver danificado, não use o produto. Contacte o serviço técnico para que o produto possa ser reparado pelo técnico de serviço correspondente.
- Evite a entrada de água no aparelho.
- NUNCA pulverize ou lave o refrigerador com água, nem coloque o refrigerador em uma área exposta à umidade ou respingos de água.
- Depois de operar o refrigerador, nunca toque em sua superfície interna, especialmente quando sua mão estiver molhada, caso contrário, a pele pode grudar na superfície interna e se machucar.
- Não guarde alimentos líquidos engarrafados no congelador.
- Não coloque produtos congelados, retirados diretamente do freezer, na boca, sua baixa temperatura pode causar queimaduras graves.
- Ao descartar o aparelho, faça-o apenas em uma instalação de descarte de resíduos autorizada.
- Para evitar a contaminação dos alimentos, observe as seguintes instruções:
  - Abrir a porta por longos períodos pode causar um aumento significativo da temperatura nos compartimentos do aparelho.
  - Limpe regularmente as superfícies que possam entrar em contato com alimentos e sistemas de drenagem acessíveis.
  - Armazene a carne e o peixe crus em recipientes adequados na geladeira, para que não entrem em contato com outros produtos ou pingem em outros alimentos.
  - Os compartimentos para alimentos congelados de duas estrelas são adequados para armazenar alimentos pré-congelados, gelados e fazer cubos de gelo.
  - Os compartimentos de uma, duas e três estrelas não são adequados para congelar alimentos frescos.

## LISTA DE PEÇAS

1. Painel de controle
2. Prateleiras de vidro
3. Gaveta de legumes
4. Gavetas do congelador
5. Cremalheiras da porta



## INSTALAÇÃO

- Retire o produto da embalagem e retire a fita adesiva que protege a porta e o equipamento.

**Observação.** As manchas de adesivo restantes podem ser removidas com um agente de lavagem suave.

**Embargo.** O refrigerador deve ser mantido longe de altas temperaturas, luz solar ou condições úmidas.

- Certifique-se de que o refrigerador esteja nivelado na posição vertical por 2 horas antes de conectar o aparelho a uma fonte de energia, isso reduzirá a possibilidade de mau funcionamento do sistema de refrigeração.
- Não incline o refrigerador mais de 45° na vertical ao movê-lo.
- Não aplique força em nenhuma parte, como o condensador, a porta e sua maçaneta, para evitar que o refrigerador seja deformado, ou seu desempenho será afetado.
- O refrigerador deve ser colocado em uma superfície plana, firme e estável. Se precisar ser levantado, use uma almofada estável e sólida. Nunca use espuma de embalagem como almofada para levantar o refrigerador.
- Certifique-se de colocar o aparelho na posição horizontal, aparafusando os 2 pés reguláveis frontais.
- Não coloque o refrigerador em uma área exposta à umidade ou respingos de água.

**Observação.** Respingos de água ou sujeira no refrigerador devem ser removidos a tempo com um pano macio para evitar ferrugem e deterioração da isolamento elétrica.

- Não coloque o refrigerador em um ambiente abaixo de 5°C, ou use-o na chuva.
- O refrigerador deve ser mantido longe da fonte de calor e protegido da luz solar, para evitar influenciar o funcionamento normal do refrigerador.
- O aparelho só é aplicado com fonte de alimentação de corrente alternada monofásica de 220~240V/50Hz. O dispositivo utiliza uma tomada de parede aterrada de acordo com as recomendações atuais.

- Se o cabo de alimentação estiver danificado, não o substitua e entre em contato com o suporte técnico.
- A ficha deve ser facilmente acessível mas fora do alcance das crianças. Se não tiver a certeza, contacte o seu instalador.
- O refrigerador foi projetado para instalação independente.
- Para garantir que as portas se abrem livremente e que haja ventilação adequada de todos os lados, deve haver uma distância mínima entre as laterais do aparelho e a parede de 30 cm na parte superior e 5 cm nas laterais. O espaço nunca deve ser menor, caso contrário o funcionamento normal do refrigerador pode ser prejudicado.
- Limpe o frigorífico com um pano, mas não o ligue depois.
- Mantenha o refrigerador parado por mais de 2 horas e, em seguida, conecte-o à tomada para garantir o funcionamento normal do refrigerador. Depois de ligar a fonte de alimentação, a geladeira começará a funcionar. Certifique-se de que as portas estão bem fechadas.
- Após 2-3 horas, ajuste a temperatura e encha os alimentos de acordo com as instruções. É normal que o compressor funcione por mais tempo durante a conexão inicial e depois funcione de forma intermitente.
- Não desligue a fonte de alimentação do refrigerador a menos que seja necessário. A interrupção pode causar um aumento da temperatura no interior do frigorífico.

## PAINEL DE CONTROLE



### AJUSTE DE TEMPERATURA

Aperte o botão “Fridge/Freezer” para ajustar a temperatura. A temperatura aumentará ou diminuirá 1°C para cada pressão.

- Faixa de temperatura do refrigerador: 2~8°C
- Faixa de temperatura do congelador: -16°C~-24°C

### MODOS

Aperte o botão mode para selecionar o modo desejado.

Durante a mudança de modo, o ícone piscará 5 vezes, então a luz ficará sólida e o modo será selecionado.

- Resfriamento rápido

Neste modo o compartimento frigorífico será mantido a 2°C durante 12 horas. Se você alterar manualmente a configuração de temperatura e a luz do ícone “Quick Cool” se apagará. A temperatura do compartimento do freezer não afetará esta função.

- Congelamento rápido

Este modo manterá o freezer a -24°C por 24 horas. Se alterar manualmente a temperatura, o congelador deixará de funcionar neste modo. Qualquer mudança de temperatura no compartimento do refrigerador não afetará a função “Fast Freeze”.

- Ótimo

Neste modo a temperatura do refrigerador será de 5°C e a temperatura do freezer será de -18°C. Qualquer mudança na temperatura desligará automaticamente o modo “Melhor” e seguirá as novas instruções de configuração.

---

## CUIDADO E MANUTENÇÃO

---

O frigorífico está equipado com uma função de descongelação automática (no-frost). A água do descongelamento irá para o recipiente de água e evaporará.

- O interior do frigorífico deve ser cuidadosamente limpo todos os anos. Lembre-se sempre de desconectar antes de limpar o plugue da tomada e esvaziar o refrigerador.
- Limpe com um pano úmido ou esponja umedecida com água ou detergente neutro. Para limpar o refrigerador, nunca use solventes, água fervida, detergente em pó, ácido ou similar.
- Em um ambiente úmido ou chuvoso, a superfície do refrigerador pode ficar úmida, especialmente na superfície externa da porta. Isso é causado pelo contato com a umidade do ar. Nesse caso, a superfície pode ser seca com um pano seco.
- Para garantir o funcionamento normal do refrigerador por um longo período de tempo, o usuário deve inspecionar o refrigerador regularmente. Se você encontrar alguma anormalidade, entre em contato com o serviço técnico.
- Durante a operação de limpeza, não use água para enxaguar o compartimento do compressor do refrigerador.
- Depois de limpar o refrigerador, seque-o com um pano seco para evitar ferrugem.
- Tome especial cuidado com a junta da porta, pois se cair algum líquido pode danificá-la. Certifique-se de mantê-lo limpo e seco.

### **Retire e coloque nas prateleiras**

- Segure a parte traseira mais alta para deslizar a prateleira para fora e, em seguida, deslize-a o máximo possível para que o suporte possa encaixar na ranhura da guia.

### **Retire e coloque na gaveta**

- Faça a parte frontal mais alta e puxe-a para fora, depois deslize-a o máximo possível até que ela pare.

### **Retire e coloque no rack da porta**

- Levante a prateleira da porta, remova-a e reposicione-a por cima na posição desejada.

### **Após a limpeza verifique se:**

- Não há danos no cabo de alimentação.
- Se o plugue pode ser conectado sem problemas.
- Se houver qualquer calor anormal no plugue.
- Se alguma das situações acima acontecer, desligue o refrigerador e entre em contato com o suporte técnico.

---

## ARMAZENAMENTO DE ALIMENTOS

---

1. Antes de guardar alimentos na geladeira, certifique-se de que os alimentos, principalmente os com água, estejam secos e sem vazamentos.
2. Alimentos quentes ou mornos devem ser colocados na geladeira após o resfriamento para economizar energia.
3. Cada prateleira pode ser removida para facilitar o acesso às garrafas.
4. Deixe um espaço adequado entre os alimentos para uma melhor ventilação do ar na geladeira.
5. Recomenda-se armazenar os alimentos em pedaços para obter melhores resultados.
6. Armazene frutas e legumes após a limpeza em embalagens apropriadas ou em recipientes devidamente fechados para evitar odores inesperados.
7. Armazene frutas e legumes na gaveta para que fiquem frescos.
8. Mantenha alimentos frescos e quentes à temperatura ambiente longe de produtos que já foram congelados.



O tempo de armazenamento dos produtos congelados depende da sua qualidade antes do congelamento quando frescos e da temperatura de armazenamento.

Os seguintes períodos de armazenamento são recomendados quando a temperatura é -18°C ou inferior:

PRODUTOS	MESES
Eu no	6-8
Vitela	3-6
Miúdos	1-2
Carne de porco	3-6
Aves de criação	6-8
Peixe	3-6

A gaveta da geladeira é para todos os alimentos delicados e perecíveis, por exemplo:

- Legumes e outros alimentos frescos pré-embalados com etiqueta indicando que devem ser mantidos a uma temperatura de aproximadamente 4°C.
- Massa fresca, misturas para bolos, ...
- Pratos ou produtos de panificação contendo ovos ou creme.
- Salsichas e pratos preparados.
- Manteiga e queijo.

Nem todos os alimentos são adequados para guardar no frigorífico. Certifique-se de armazenar os produtos corretamente.

## RESOLUÇÃO DE PROBLEMAS

QUESTÃO	CAUSA	SOLUÇÃO
A geladeira não funciona.	A fonte de alimentação não está conectada.	Ligue a fonte de energia.
	A geladeira está congelando automaticamente.	É um fenômeno normal.
	O compressor é fornecido com um modo de proteção.	O intervalo de operação do compressor é de 5 minutos
	A placa do computador está danificada.	Notifique o fabricante para reparo.
O barulho é muito alto	A geladeira não está nivelada.	Nivele o refrigerador se não estiver nivelado.
	A geladeira está tocando móveis e/ou outros objetos.	Coloque o aparelho em um local que garanta espaços adequados ao seu redor.
	O ventilador não está bem fixo.	Notifique o fabricante para reparo.
A luz do refrigerador não está acesa	A lâmpada de iluminação está danificada.	Notifique o fabricante para substituição da lâmpada.
	Verifique se a fonte de alimentação está ligada.	Verifique a fonte de alimentação.

QUESTÃO	CAUSA	SOLUÇÃO
Há umidade fora da geladeira	A porta é aberta com muita frequência ou fica aberta por muito tempo.	Não abra e feche a porta com tanta frequência ou tente não mantê-la aberta por muito tempo.
	O ambiente externo é muito molhado.	Seque a geladeira com um papel seco.
	A temperatura do refrigerador está muito baixa.	Defina uma temperatura adequada.
Compressor continua funcionando por um longo tempo	Se a temperatura no verão for muito alta, o compressor funcionará por muito tempo. Isso é normal. Se a geladeira não esfriar o suficiente, verifique os seguintes itens:	<ul style="list-style-type: none"> <li>Se a porta do refrigerador não vedar bem ou se for aberta com muita frequência, feche bem a porta e abra-a com menos frequência.</li> <li>Não coloque muitas bebidas na geladeira e mantenha um certo espaço entre os alimentos.</li> <li>Se a temperatura dentro do refrigerador atingir uma temperatura muito baixa, verifique a configuração de temperatura e ajuste a temperatura para um nível mais alto.</li> </ul>
Alimentos congelam no compartimento da geladeira	<ul style="list-style-type: none"> <li>Verifique se os alimentos não estão muito próximos do sensor.</li> <li>Verifique se os alimentos não estão muito próximos da saída de ar.</li> </ul>	
Resfriamento muito baixo	<ul style="list-style-type: none"> <li>Verifique se o refrigerador não está exposto à luz solar ou a qualquer fonte de calor localizada em sua área imediata.</li> <li>O controle de temperatura não está definido corretamente.</li> <li>Uma grande quantidade de comida morna ou quente foi armazenada recentemente. Aguarde até que o refrigerador atinja a temperatura selecionada.</li> <li>As bebidas na geladeira ficam lotadas e isso impede a correta circulação de ar fresco.</li> <li>A porta do refrigerador abre com muita frequência ou não fecha corretamente.</li> </ul>	
Há um cheiro ruim na geladeira	<ul style="list-style-type: none"> <li>Quando o refrigerador é novo, pode exalar um cheiro de agente espumante ou plástico. Isso é normal, o cheiro desaparecerá com o tempo de uso.</li> <li>Verifique se há algum alimento ou bebida estragada dentro da geladeira.</li> <li>Qualquer bebida com cheiro deve ser bem vedada usando o saco plástico.</li> <li>Limpe periodicamente a geladeira.</li> </ul>	
A geladeira faz um som como líquido fluindo	Esse som é gerado a partir do fluxo de refrigerante dentro da circulação da tubulação do sistema de refrigeração. Isso é normal. Nenhum tratamento adicional é necessário.	
A geladeira faz um som anormal	<ul style="list-style-type: none"> <li>Este é o som gerado quando o refrigerador liga ou desliga.</li> <li>Isso ocorre quando há mudanças na temperatura dentro do refrigerador ou quando o refrigerador está sendo ligado ou desligado.</li> <li>Sons borbulhantes ou borbulhantes (como água fervendo). Este é o som normal do refrigerante circulando pelo sistema.</li> </ul>	



Em conformidade com as diretrizes: 2012/19 / UE e 2015/863 / UE sobre a restrição do uso de substâncias perigosas em equipamentos elétricos e eletrônicos, bem como a eliminação de resíduos. O símbolo com o caixote do lixo cruzado mostrado na embalagem indica que o produto ao final de sua vida útil será coletado como lixo separado. Portanto, qualquer produto que tenha atingido o fim de sua vida útil deve ser entregue a centros especializados de eliminação de resíduos para coleta seletiva de equipamentos elétricos e eletrônicos, ou devolvido ao varejista ao comprar equipamentos novos similares, em um para uma base. A coleta seletiva apropriada para o comissionamento subsequente do equipamento enviado para reciclagem, tratamento e descarte de maneira ecológica ajuda a evitar possíveis efeitos negativos no meio ambiente e na saúde e otimiza a reciclagem e reutilização de os componentes que compõem o dispositivo. A eliminação abusiva do produto pelo usuário implica a aplicação de sanções administrativas de acordo com as leis.

Merci d'avoir choisi notre frigo. Avant d'utiliser cet appareil et pour assurer sa meilleure utilisation, veuillez lire attentivement les instructions.

Les mesures de sécurité énumérées ici réduisent le risque d'incendie, de choc électrique et de blessure si elles sont correctement suivies. Conservez le manuel dans un endroit sûr pour référence future, ainsi que la garantie, le reçu d'achat et la boîte. Le cas échéant, transmettez ces instructions au futur propriétaire de l'appareil. Suivez toujours les consignes de sécurité de base et les mesures de prévention des risques lorsque vous utilisez un appareil électrique. Le fabricant n'est pas responsable des dommages résultant du non-respect par l'utilisateur de ces instructions.

---

## CONSIGNES DE SÉCURITÉ

---

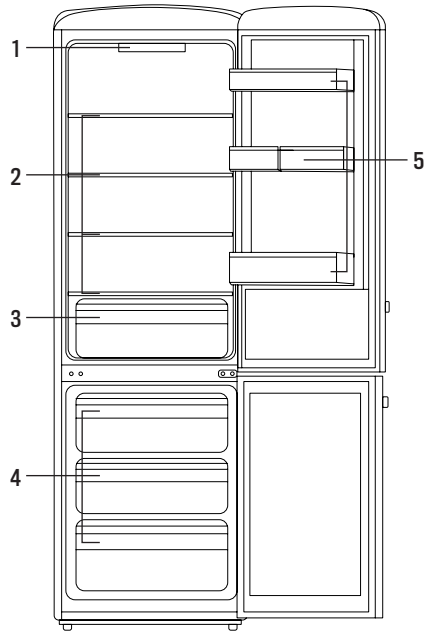
Avant d'utiliser un appareil électrique, veuillez lire attentivement les consignes de sécurité de base suivantes.

- Cet appareil peut être utilisé par des enfants âgés de 8 ans et plus et des personnes ayant des capacités physiques, sensorielles ou mentales réduites ou un manque d'expérience et de connaissances s'ils ont reçu une supervision ou des instructions concernant l'utilisation de l'appareil en toute sécurité et comprennent les dangers impliqués. .
- Les enfants ne doivent pas jouer avec cet appareil.
- Gardez les ouvertures de ventilation, dans l'enceinte de l'appareil ou la structure intégrée, libres de toute obstruction.
- Ne pas endommager le circuit frigorifique.
- N'utilisez pas d'appareils électriques à l'intérieur des compartiments de stockage des aliments de l'appareil, à moins qu'ils ne soient du type recommandé par le fabricant.
- Ne stockez pas de substances explosives telles que des bombes aérosols avec un propulseur inflammable dans cet appareil.
- Pour éviter tout danger dû à l'instabilité de l'appareil, celui-ci doit être fixé conformément aux instructions.
- Cet appareil de réfrigération n'est pas conçu pour être utilisé comme appareil encastré.
- Après l'installation du réfrigérateur, la prise doit être facilement accessible pour faciliter le débranchement en cas d'accident.
- N'endommagez jamais la ligne électrique.
- Ne débranchez jamais la prise du réfrigérateur en faisant glisser la ligne électrique. Pour retirer la fiche, tenez-la et tirez-la hors de la prise.
- Empêchez le corps du réfrigérateur d'écraser la ligne électrique ou d'être piétiné par quelqu'un.

- Lorsque vous placez l'appareil, assurez-vous que le cordon d'alimentation n'est pas coincé ou endommagé. N'enroulez jamais le cordon d'alimentation ou il pourrait être endommagé.
- Si le câble d'alimentation est endommagé, n'utilisez pas le produit. Contactez le service technique afin que le produit puisse être réparé par le technicien de service correspondant.
- Éviter l'entrée d'eau dans l'appareil.
- NE JAMAIS vaporiser ou laver le réfrigérateur avec de l'eau, ou placer le réfrigérateur dans une zone exposée à l'humidité ou aux éclaboussures d'eau.
- Après avoir utilisé le réfrigérateur, ne touchez jamais sa surface intérieure, en particulier lorsque votre main est mouillée, sinon la peau pourrait coller à la surface intérieure et se blesser.
- Ne stockez pas d'aliments liquides en bouteille dans le compartiment congélateur.
- Ne mettez pas de produits congelés, sortis directement du congélateur, dans la bouche, sa basse température peut provoquer de graves engelures.
- Lors de la mise au rebut de l'appareil, faites-le uniquement dans une installation d'élimination des déchets autorisée.
- Pour éviter la contamination des aliments, respectez les instructions suivantes :
  - L'ouverture prolongée de la porte peut entraîner une augmentation importante de la température dans les compartiments de l'appareil.
  - Nettoyez régulièrement les surfaces susceptibles d'entrer en contact avec des aliments et les systèmes d'évacuation accessibles.
  - Conservez la viande et le poisson crus dans des récipients adaptés au réfrigérateur, afin qu'ils n'entrent pas en contact avec d'autres produits ou ne coulent pas sur d'autres aliments.
  - Les compartiments pour aliments surgelés à deux étoiles conviennent au stockage d'aliments précongelés, de glaces et à la fabrication de glaçons.
  - Les compartiments à une, deux et trois étoiles ne conviennent pas à la congélation d'aliments frais.

## LISTE DES PIÈCES

1. Panneau de commande
2. Étagères en verre
3. Bac à légumes
4. Tiroirs de congélation
5. Balconnets de porte



## FACILITÉ

- Sortez le produit de l'emballage et retirez le ruban adhésif qui protège la porte et l'équipement.

**Noter.** Les taches de colle restantes peuvent être enlevées avec un détergent doux.

**Mise en garde.** Le réfrigérateur doit être tenu à l'écart des températures élevées, de la lumière du soleil ou des conditions humides.

- Assurez-vous que le réfrigérateur est nivelé en position verticale pendant 2 heures avant de brancher l'appareil à une source d'alimentation, cela réduira la possibilité d'un dysfonctionnement du système de refroidissement.
- N'inclinez pas le réfrigérateur à plus de 45° lorsque vous le déplacez.
- N'appliquez aucune force sur les pièces telles que le condenseur, la porte et sa poignée pour éviter que le réfrigérateur ne se déforme, sinon ses performances en seront affectées.
- Le réfrigérateur doit être placé sur une surface plane, ferme et stable. S'il doit être soulevé, utilisez un tampon stable et solide. N'utilisez jamais de mousse d'emballage comme coussin pour soulever le réfrigérateur.
- Assurez-vous de placer l'appareil en position horizontale en vissant les 2 pieds réglables avant.
- Ne placez pas le réfrigérateur dans une zone exposée à l'humidité ou aux éclaboussures d'eau.

**Noter.** Les éclaboussures d'eau ou la saleté sur le réfrigérateur doivent être enlevées à temps avec un chiffon doux pour éviter la rouille et la détérioration de l'isolation électrique.


- Ne placez pas le réfrigérateur dans un environnement inférieur à 5°C, ou l'utiliser sous la pluie.
- Le réfrigérateur doit être éloigné de la source de chaleur et protégé de la lumière du soleil, pour éviter d'influencer le fonctionnement normal du réfrigérateur.
- L'appareil est uniquement utilisé avec une alimentation en courant alternatif monophasé 220 ~ 240 V/50 Hz. L'appareil utilise une prise murale mise à la terre conformément aux recommandations en vigueur.

- Si le cordon d'alimentation est endommagé, ne le remplacez pas et contactez le support technique.
- La prise doit être facilement accessible mais hors de portée des enfants. Si vous n'êtes pas sûr, contactez votre installateur.
- Le réfrigérateur est conçu pour une installation autonome.
- Pour que les portes s'ouvrent librement et qu'il y ait une ventilation adéquate de tous les côtés, il doit y avoir une distance minimale entre les côtés de l'appareil et le mur de 30 cm vers le haut et de 5 cm sur les côtés. L'espace ne doit jamais être inférieur, sinon le fonctionnement normal du réfrigérateur pourrait être compromis.
- Nettoyez le réfrigérateur avec un chiffon mais ne le branchez pas ensuite.
- Laissez le réfrigérateur immobile pendant plus de 2 heures, puis branchez-le dans la prise de courant pour assurer le fonctionnement normal du réfrigérateur. Après avoir allumé l'alimentation électrique, le réfrigérateur commencera à fonctionner. Assurez-vous que les portes sont correctement fermées.
- Après 2-3 heures, ajustez la température, puis remplissez les aliments selon les instructions. Il est normal que le compresseur fonctionne plus longtemps lors du premier branchement, puis fonctionne par intermittence.
- Ne coupez pas l'alimentation électrique du réfrigérateur sauf si cela est nécessaire. L'interruption peut entraîner une augmentation de la température à l'intérieur du réfrigérateur.

## PANNEAU DE COMMANDE



### RÉGLAGE DE LA TEMPÉRATURE

Appuie sur le bouton  « Réfrigérateur/Congélateur » pour régler le réglage de la température. La température augmentera ou diminuera de 1°C à chaque pression.

- Plage de température du réfrigérateur : 2~8°C
- Plage de température du congélateur : -16°C~-24°C

### MODES

Appuie sur le bouton  mode pour sélectionner le mode souhaité.

Pendant le changement de mode, l'icône clignotera 5 fois, puis le voyant sera fixe et le mode sera sélectionné.

-  refroidissement rapide

Dans ce mode, le compartiment réfrigérateur sera maintenu à 2°C pendant 12 heures. Si vous modifiez manuellement le réglage de la température et que le voyant de l'icône « Refroidissement rapide » s'éteindra. La température du compartiment congélateur n'affectera pas cette fonction.

-  Congélation rapide

Ce mode maintiendra le congélateur à -24°C pendant 24 heures. Si vous modifiez manuellement la température, le congélateur cessera de fonctionner dans ce mode. Tout changement de température dans le compartiment réfrigérateur n'affectera pas la fonction "Fast Freeze".

-  Optimum

Dans ce mode, la température du réfrigérateur sera de 5°C et la température du congélateur sera de -18°C. Tout changement de température désactivera automatiquement le mode "Meilleur" et suivra les nouvelles instructions de configuration.

---

## ENTRETIEN ET MAINTENANCE

---

Le réfrigérateur est équipé d'une fonction de dégivrage automatique (no-frost). L'eau de dégivrage ira dans le bac à eau et s'évaporerait.

- L'intérieur du réfrigérateur doit être soigneusement nettoyé chaque année. Rappelez-vous toujours de débrancher avant de retirer la fiche de la prise et de vider le réfrigérateur.
- Nettoyer avec un chiffon humide ou une éponge imbibée d'eau ou d'un détergent doux. Pour nettoyer le réfrigérateur, n'utilisez jamais de solvants, d'eau bouillie, de détergent en poudre, d'acide ou similaire.
- Dans un environnement humide ou par temps de pluie, la surface du réfrigérateur peut être couverte de rosée, en particulier sur la surface extérieure de la porte. Ceci est causé par le contact avec l'humidité de l'air. Dans ce cas, la surface peut être séchée avec un chiffon sec.
- Afin d'assurer le fonctionnement normal du réfrigérateur pendant une longue période, l'utilisateur doit inspecter régulièrement le réfrigérateur. Si vous constatez une anomalie, contactez le service technique.
- Pendant l'opération de nettoyage, n'utilisez pas d'eau pour rincer le compartiment compresseur du réfrigérateur.
- Après avoir nettoyé le réfrigérateur, séchez-le avec un chiffon sec pour éviter la rouille.
- Faites particulièrement attention au joint de la porte car si un liquide tombe, il pourrait l'endommager. Assurez-vous de le garder propre et sec.

### Sortir et mettre en rayon

- Tenez la partie arrière plus haut pour faire glisser l'étagère vers l'extérieur, puis faites-la glisser aussi loin que possible afin que son support puisse s'insérer dans la fente de guidage.

### Sortir et mettre dans le tiroir

- Faites monter la partie avant et tirez-la, puis faites-la glisser aussi loin que possible jusqu'à ce qu'elle s'arrête.

### Sortir et mettre dans le balconnet de la porte

- Soulevez le balconnet de porte, retirez-le et repositionnez-le par le haut dans la position souhaitée.

### Après le nettoyage, vérifiez que :

- Le cordon d'alimentation n'est pas endommagé.
- Si la fiche peut être branchée sans problème.
- S'il y a une chaleur anormale dans la prise.
- Si l'un des cas ci-dessus se produit, débranchez le réfrigérateur et contactez l'assistance technique.

---

## STOCKAGE ALIMENTAIRE

---

1. Avant de stocker des aliments dans votre réfrigérateur, assurez-vous que les aliments, en particulier les aliments contenant de l'eau, sont secs et ne fuient pas.
2. Les aliments chauds ou tièdes doivent être placés dans le réfrigérateur après refroidissement pour économiser de l'énergie.
3. Chaque étagère peut être retirée pour un accès facile aux bouteilles.
4. Laissez un espace suffisant entre les aliments pour une meilleure ventilation de l'air dans le réfrigérateur.
5. Il est recommandé de stocker les aliments en morceaux pour de meilleurs résultats.
6. Conservez les fruits et légumes après le nettoyage dans un emballage approprié ou dans des contenants bien scellés pour éviter les odeurs inattendues.
7. Conservez les fruits et légumes dans le bac à légumes pour qu'ils restent frais.
8. Conservez les aliments frais et chauds à température ambiante à l'écart des produits déjà congelés.

La durée de conservation des produits surgelés dépend de leur qualité avant congélation à l'état frais et de la température de conservation.

Les périodes de stockage suivantes sont recommandées lorsque la température est de -18°C ou moins :

PRODUITS	MOIS
Viande	6-8
Veau	3-6
Abats	1-2
Porc	3-6
Volaille	6-8
Poisson	3-6

Le tiroir du réfrigérateur est destiné à tous les aliments délicats et périssables, par exemple :

- Légumes et autres aliments frais préemballés portant une étiquette indiquant qu'ils doivent être conservés à une température d'environ 4 °C.
- Pâte fraîche, mélanges à gâteaux, ...
- Plats ou produits de boulangerie contenant des œufs ou de la crème.
- Saucisses et plats préparés.
- Beurre et fromage.

Tous les aliments ne conviennent pas à la conservation au réfrigérateur. Assurez-vous de stocker les produits correctement.

## RÉSOLUTION DES PROBLÈMES

PROBLÈME	CAUSE	LA SOLUTION
Le frigo ne fonctionne pas.	L'alimentation n'est pas connectée.	Allumez l'alimentation.
	Le réfrigérateur gèle automatiquement.	C'est un phénomène normal.
	Le compresseur est doté d'un mode de protection.	L'intervalle de fonctionnement du compresseur est de 5 minutes
	La carte informatique est endommagée.	Avertir le fabricant pour réparation.
le bruit est trop fort	Le réfrigérateur n'est pas de niveau.	Nivelez le réfrigérateur s'il n'est pas de niveau.
	Le réfrigérateur touche des meubles et/ou d'autres objets.	Placez l'appareil dans un endroit qui garantit des espaces suffisants autour de lui.
	Le ventilateur n'est pas solidement fixé.	Avertir le fabricant pour réparation.
La lumière du réfrigérateur n'est pas allumée	La lampe d'éclairage est endommagée.	Avertir le fabricant pour le remplacement de la lampe.
	Vérifiez si l'alimentation est allumée.	Vérifiez l'alimentation.



PROBLÈME	CAUSE	LA SOLUTION
Il y a de l'humidité à l'extérieur du réfrigérateur	La porte est ouverte trop souvent ou reste ouverte trop longtemps.	N'ouvrez et ne fermez pas la porte trop souvent ou essayez de ne pas laisser la porte ouverte trop longtemps.
	L'environnement extérieur est très humide.	Séchez le réfrigérateur avec un papier sec.
	La température du réfrigérateur est trop basse.	Réglez une température appropriée.
Le compresseur fonctionne longtemps	<p>Si la température en été est trop élevée, le compresseur fonctionnera longtemps. C'est normal.</p> <p>Si le réfrigérateur ne refroidit pas suffisamment, vérifiez les points suivants :</p> <ul style="list-style-type: none"> <li>• Si la porte du réfrigérateur ne ferme pas bien ou si elle est ouverte trop souvent, fermez bien la porte et ouvrez-la moins souvent.</li> <li>• Ne mettez pas trop de boissons au réfrigérateur et gardez un certain espace entre les aliments.</li> <li>• Si la température à l'intérieur du réfrigérateur atteint une température trop basse, vérifiez le réglage de la température et réglez la température à un niveau supérieur.</li> </ul>	
Les aliments gèlent dans le compartiment réfrigérateur	<ul style="list-style-type: none"> <li>• Vérifiez que les aliments ne sont pas placés trop près du capteur.</li> <li>• Vérifiez que les aliments ne sont pas placés trop près de la sortie d'air.</li> </ul>	
Refroidissement trop faible	<ul style="list-style-type: none"> <li>• Vérifiez que le réfrigérateur n'est pas exposé à la lumière du soleil ou à toute source de chaleur située à proximité immédiate.</li> <li>• Le contrôle de la température n'est pas réglé correctement.</li> <li>• Une grande quantité d'aliments tièdes ou chauds a récemment été stockée. Attendez que le réfrigérateur atteigne la température sélectionnée.</li> <li>• Les boissons dans le réfrigérateur sont encombrées et cela empêche la bonne circulation de l'air frais.</li> <li>• La porte du réfrigérateur s'ouvre trop souvent ou ne se ferme pas correctement.</li> </ul>	
Il y a une mauvaise odeur dans le réfrigérateur	<ul style="list-style-type: none"> <li>• Lorsque le réfrigérateur est neuf, il peut dégager une odeur d'agent moussant ou de plastique. C'est normal, l'odeur disparaîtra avec le temps d'utilisation.</li> <li>• Vérifiez s'il y a des aliments ou des boissons avariés à l'intérieur du réfrigérateur.</li> <li>• Toute boisson parfumée doit être scellée hermétiquement à l'aide du sac en plastique.</li> <li>• Nettoyez périodiquement le réfrigérateur.</li> </ul>	
Le réfrigérateur fait un bruit comme un liquide qui coule	Ce son est généré par le flux de réfrigérant dans la circulation de la tuyauterie du système de réfrigération. Ceci est normal. Aucun autre traitement n'est nécessaire.	
Le réfrigérateur fait un bruit anormal	<ul style="list-style-type: none"> <li>• Il s'agit du son généré lorsque le réfrigérateur démarre ou s'arrête.</li> <li>• Cela se produit lorsqu'il y a des changements de température à l'intérieur du réfrigérateur ou lorsque le réfrigérateur est démarré ou arrêté.</li> <li>• Bruits de bouillonnement ou de gargouillis (comme de l'eau bouillante). Il s'agit du bruit normal du réfrigérant circulant dans le système.</li> </ul>	



Conformément aux directives: 2012/19 / UE et 2015/863 / UE sur la limitation de l'utilisation de substances dangereuses dans les équipements électriques et électroniques, ainsi que leur élimination des déchets. Le symbole avec la poubelle croisée indiqué sur l'emballage indique que le produit à la fin de sa durée de vie sera collecté en tant que déchet séparé. Par conséquent, tout produit ayant atteint la fin de sa durée de vie doit être livré dans des centres d'élimination des déchets spécialisés pour la collecte sélective des déchets d'équipements électriques et électroniques, ou retourné au détaillant lors de l'achat de nouveaux équipements similaires, en un seul pour une base. Une collecte séparée appropriée pour la mise en service ultérieure des équipements expédiés pour être recyclés, traités et éliminés d'une manière respectueuse de l'environnement aide à prévenir les effets négatifs potentiels sur l'environnement et la santé et optimise le recyclage et la réutilisation des les composants qui composent l'appareil. L'élimination abusive du produit par l'utilisateur implique l'application de sanctions administratives conformément aux lois.

Grazie per aver scelto il nostro frigorifero. Prima di utilizzare questo apparecchio e per garantirne il miglior utilizzo, leggere attentamente le istruzioni.

Le misure di sicurezza elencate qui riducono il rischio di incendi, scosse elettriche e lesioni se seguite correttamente. Conservare il manuale in un luogo sicuro per riferimenti futuri, nonché la garanzia, la ricevuta di acquisto e la confezione. Se applicabile, passare queste istruzioni al futuro proprietario dell'apparecchio. Seguire sempre le istruzioni di sicurezza di base e le misure di prevenzione dei rischi quando si utilizza un apparecchio elettrico. Il produttore non è responsabile per eventuali danni derivanti dalla mancata osservanza da parte dell'utente delle presenti istruzioni.

---

## ISTRUZIONI DI SICUREZZA

---

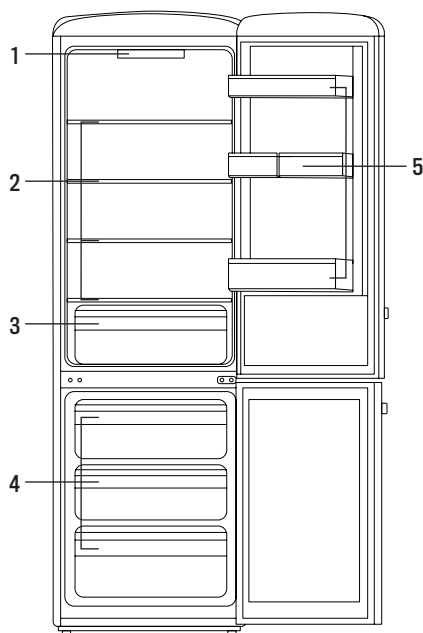
Prima di utilizzare qualsiasi apparecchio elettrico, leggere attentamente le seguenti precauzioni di sicurezza di base.

- Questo apparecchio può essere utilizzato da bambini di età pari o superiore a 8 anni e da persone con ridotte capacità fisiche, sensoriali o mentali o prive di esperienza e conoscenza se sono state seguite o istruite sull'uso dell'apparecchio in modo sicuro e se ne comprendono i pericoli coinvolti.
- I bambini non devono giocare con questo apparecchio.
- Mantenere le aperture di ventilazione, nell'armadio dell'apparecchio o nella struttura ad incasso, libere da ostruzioni.
- Non danneggiare il circuito frigorifero.
- Non utilizzare apparecchi elettrici all'interno dei vani per la conservazione degli alimenti dell'apparecchio, a meno che non siano del tipo consigliato dal produttore.
- Non conservare sostanze esplosive come bombolette spray con propellente infiammabile in questo apparecchio.
- Per evitare un pericolo dovuto all'instabilità del dispositivo, è necessario ripararlo secondo le istruzioni.
- Questo apparecchio di refrigerazione non è progettato per essere utilizzato come apparecchio da incasso.
- Dopo aver installato il frigorifero, la spina deve essere facilmente accessibile per facilitare lo scollegamento in caso di incidente.
- Non danneggiare mai la linea di alimentazione.
- Non scollegare mai la spina del frigorifero trascinando la linea di alimentazione. Per rimuovere la spina, tenerla ed estrarla dalla presa.
- Impedire che il corpo del frigorifero schiacci la linea elettrica o venga calpestato da qualcuno.

- Quando si posiziona l'apparecchio, assicurarsi che il cavo di alimentazione non sia impigliato o danneggiato. Non avvolgere mai il cavo di alimentazione o potrebbe danneggiarsi.
- Se il cavo di alimentazione è danneggiato, non utilizzare il prodotto. Contattare il servizio tecnico in modo che il prodotto possa essere riparato dal tecnico dell'assistenza corrispondente.
- Evitare l'ingresso di acqua nel dispositivo.
- MAI spruzzare o lavare il frigorifero con acqua, né posizionare il frigorifero in un'area esposta a umidità o schizzi d'acqua.
- Dopo aver utilizzato il frigorifero, non toccarne mai la superficie interna, soprattutto quando la mano è bagnata, altrimenti la pelle potrebbe aderire alla superficie interna e ferirsi.
- Non conservare gli alimenti liquidi in bottiglia nello scomparto congelatore.
- Non mettere in bocca prodotti congelati, prelevati direttamente dal congelatore, la sua bassa temperatura può causare gravi congelamenti.
- Quando si smaltisce l'apparecchio, farlo solo presso un centro di smaltimento rifiuti autorizzato.
- Per evitare la contaminazione degli alimenti, attenersi alle seguenti istruzioni:
  - L'apertura prolungata della porta può causare un notevole aumento della temperatura nei vani dell'apparecchio.
  - Pulire regolarmente le superfici che possono venire a contatto con gli alimenti e le fognature accessibili.
  - Conservare la carne e il pesce crudi in contenitori idonei in frigorifero, in modo che non vengano a contatto con altri prodotti o gocciolano su altri alimenti.
  - Gli scomparti per cibi surgelati a due stelle sono adatti per conservare cibi precongelati, gelati e fare cubetti di ghiaccio.
  - Gli scomparti a una, due e tre stelle non sono adatti per il congelamento di alimenti freschi.

## ELENCO DELLE PARTI

1. Pannello di controllo
2. Ripiani in vetro
3. Cassetto verdura
4. Cassetti congelatore
5. Scaffali per porte



## FACILITÀ

- Estrarre il prodotto dalla confezione e rimuovere il nastro adesivo che protegge la porta e l'attrezzatura.

**Nota.** Le macchie di adesivo rimanenti possono essere rimosse con un detergente delicato.

**Avvertimento.** Il frigorifero deve essere tenuto lontano da temperature elevate, luce solare o condizioni umide.

- Assicurarsi che il frigorifero sia livellato in posizione verticale per 2 ore prima di collegare l'apparecchio a una fonte di alimentazione, ciò ridurrà la possibilità di un malfunzionamento del sistema di raffreddamento.
- Non inclinare il frigorifero più di 45° in posizione verticale durante lo spostamento.
- Non applicare forza a nessuna parte come il condensatore, lo sportello e la sua maniglia per evitare che il frigorifero si deformi, altrimenti le sue prestazioni ne risentiranno.
- Il frigorifero deve essere posizionato su una superficie piana, solida e stabile. Se deve essere sollevato, utilizzare un pad stabile e solido. Non utilizzare mai la schiuma da imballaggio come cuscinetto per sollevare il frigorifero.
- Assicurarsi di posizionare l'apparecchio in posizione orizzontale avvitando i 2 piedini anteriori regolabili.
- Non posizionare il frigorifero in un'area esposta a umidità o schizzi d'acqua.

**Nota.** Gli schizzi d'acqua o lo sporco sul frigorifero devono essere rimossi in tempo con un panno morbido per prevenire la ruggine e il deterioramento dell'isolamento elettrico.

- Non posizionare il frigorifero in un ambiente inferiore a 5°C, oppure usalo sotto la pioggia.
- Il frigorifero va tenuto lontano da fonti di calore e protetto dai raggi solari, per evitare di influenzare il normale funzionamento del frigorifero.
- L'apparecchio viene applicato solo con alimentazione in corrente alternata monofase 220~240V/50Hz. Il dispositivo utilizza una presa a muro con messa a terra in conformità con le attuali raccomandazioni.

- Se il cavo di alimentazione è danneggiato, non sostituirlo e contattare il supporto tecnico.
- La spina deve essere facilmente accessibile ma fuori dalla portata dei bambini. Se non sei sicuro, contatta il tuo installatore.
- Il frigorifero è progettato per l'installazione indipendente.
- Affinché le porte si aprano liberamente, e che ci sia un'adeguata ventilazione da tutti i lati, deve esserci una distanza minima tra i lati dell'apparecchio e la parete di 30 cm in alto e 5 cm ai lati. Lo spazio non dovrebbe mai essere inferiore, altrimenti il normale funzionamento del frigorifero potrebbe risentirne.
- Pulisci il frigorifero con un panno ma non collegalo in seguito.
- Tenere il frigorifero fermo per più di 2 ore, quindi collegarlo alla presa di corrente per garantire il normale funzionamento del frigorifero. Dopo aver acceso l'alimentazione, il frigorifero inizierà a funzionare. Assicurati che le porte siano chiuse correttamente.
- Dopo 2-3 ore, regolare la temperatura, quindi riempire il cibo secondo le istruzioni. È normale che il compressore funzioni più a lungo durante l'ostruzione iniziale e poi funzioni a intermittenza.
- Non spegnere l'alimentazione del frigorifero a meno che non sia necessario. L'interruzione può causare un aumento della temperatura all'interno del frigorifero.

## PANNELLO DI CONTROLLO



### IMPOSTAZIONE DELLA TEMPERATURA

Premi il bottone "Frigorifero/Congelatore" per regolare l'impostazione della temperatura. La temperatura aumenterà o diminuirà di 1°C per ogni pressa.

- Intervallo di temperatura del frigorifero: 2~8°C
- Intervallo di temperatura del congelatore: -16°C~-24°C

### MODALITÀ

Premi il bottone modalità per selezionare la modalità desiderata.

Durante il cambio di modalità, l'icona lampeggerà 5 volte, quindi la spia sarà fissa e la modalità verrà selezionata.

- Raffreddamento rapido

In questa modalità il vano frigorifero verrà mantenuto a 2°C per 12 ore. Se si modifica manualmente l'impostazione della temperatura, la spia dell'icona "Quick Cool" si spegne. La temperatura dello scomparto congelatore non influirà su questa funzione.

- Congelamento rapido

Questa modalità manterrà il congelatore a -24°C per 24 ore. Se si modifica manualmente la temperatura, il congelatore smette di funzionare in questa modalità. Qualsiasi variazione di temperatura nel vano frigorifero non influirà sulla funzione "Fast Freeze".

- Ottimale

In questa modalità la temperatura del frigorifero sarà di 5°C e quella del congelatore sarà di -18°C. Qualsiasi cambiamento di temperatura disattiverà automaticamente la modalità "Migliore" e seguirà le nuove istruzioni di configurazione.

---

## CURA E MANUTENZIONE

---

Il frigorifero è stato dotato di una funzione di sbrinamento automatico (no-frost). L'acqua di sbrinamento andrà nella vaschetta dell'acqua ed evaporerà.

- L'interno del frigorifero deve essere pulito a fondo ogni anno. Ricordarsi sempre di staccare la spina prima di pulirla dalla presa e svuotare il frigorifero.
- Pulisci con un panno umido o una spugna inumidita con acqua o un detergente delicato. Per pulire il frigorifero non utilizzare mai solventi, acqua bollita, detersivo in polvere, acido o simili.
- In un ambiente umido o piovoso, la superficie del frigorifero potrebbe essere rugiadosa, specialmente sulla superficie esterna della porta. Ciò è causato dal contatto con l'umidità nell'aria. In tal caso, la superficie può essere asciugata con un panno asciutto.
- Per garantire il normale funzionamento del frigorifero per un lungo periodo di tempo, l'utente deve ispezionare regolarmente il frigorifero. Se trovi qualche anomalia, contatta il servizio tecnico.
- Durante l'operazione di pulizia, non utilizzare acqua per sciacquare il vano compressore del frigorifero.
- Dopo aver pulito il frigorifero, asciugarlo con un panno asciutto per prevenire la ruggine.
- Prestare particolare attenzione alla guarnizione della porta in quanto se cade del liquido potrebbe danneggiarla. Assicurati di tenerlo pulito e asciutto.

### **Estrarre e mettere negli scaffali**

- Tenere la parte posteriore più in alto per far scorrere il ripiano, quindi farlo scorrere fino in fondo in modo che la staffa possa entrare nella fessura della guida.

### **Estrarre e mettere nel cassetto**

- Alzare la parte anteriore ed estrarla, quindi farla scorrere fino in fondo fino all'arresto.

### **Estrarre e mettere nello scaffale della porta**

- Sollevare il ripiano della porta, rimuoverlo e riposizionarlo dall'alto nella posizione desiderata.

### **Dopo la pulizia verificare che:**

- Non ci sono danni al cavo di alimentazione.
- Se la spina può essere inserita senza problemi.
- Se c'è del calore anomalo nella spina.
- Se si verifica una delle situazioni precedenti, scollegare il frigorifero e contattare l'assistenza tecnica.

---

## DISPENSA

---

1. Prima di conservare gli alimenti nel frigorifero, assicurarsi che gli alimenti, in particolare quelli con acqua, siano asciutti e non perdano.
2. Gli alimenti caldi o caldi devono essere riposti in frigorifero dopo il raffreddamento per risparmiare energia.
3. Ogni ripiano può essere rimosso per un facile accesso alle bottiglie.
4. Lasciare uno spazio adeguato tra gli alimenti per una migliore ventilazione dell'aria nel frigorifero.
5. Si consiglia di conservare il cibo a pezzi per ottenere i migliori risultati.
6. Conservare frutta e verdura dopo la pulizia in un involucri adeguato o in contenitori adeguatamente sigillati per evitare odori imprevisti.
7. Conserva frutta e verdura nel croccante in modo che rimangano fresche.
8. Tenere gli alimenti freschi e caldi a temperatura ambiente lontano dai prodotti che sono già stati congelati.

Il tempo di conservazione dei prodotti surgelati dipende dalla loro qualità prima del congelamento allo stato fresco e dalla temperatura di conservazione.

I seguenti periodi di conservazione sono consigliati quando la temperatura è -18°C o inferiore:

PRODOTTI	MESI
La carne	6-8
Vitello	3-6
Frattaglie	1-2
Maiale	3-6
Pollame	6-8
Pesce	3-6

Il cassetto frigorifero è per tutti gli alimenti delicati e deperibili, ad esempio:

- Verdure e altri alimenti freschi confezionati con un'etichetta che indica che devono essere mantenuti a una temperatura di circa 4°C.
- Impasto fresco, miscele per dolci,...
- Piatti o prodotti da forno contenenti uova o panna.
- Salsicce e piatti preparati.
- Burro e formaggio.

Non tutti gli alimenti sono adatti alla conservazione in frigorifero. Assicurati di conservare i prodotti correttamente.

## RISOLUZIONE DEL PROBLEMA

PROBLEMA	CAUSA	SOLUZIONE
Il frigorifero non funziona.	L'alimentazione non è collegata.	Accendere l'alimentazione.
	Il frigorifero si congela automaticamente.	È un fenomeno normale.
	Il compressore è dotato di una modalità di protezione.	L'intervallo di funzionamento del compressore è di 5 minuti
	La scheda del computer è danneggiata.	Avvisare il produttore per la riparazione.
il rumore è troppo forte	Il frigorifero non è in piano.	Livellare il frigorifero se non è in piano.
	Il frigorifero tocca mobili e/o altri oggetti.	Collocare l'apparecchio in un luogo che garantisca spazi adeguati intorno ad esso.
	La ventola non è fissata saldamente.	Avvisare il produttore per la riparazione.
La spia del frigorifero non è accesa	La lampada di illuminazione è danneggiata.	Avvisare il produttore per la sostituzione della lampada.
	Controllare se l'alimentatore è acceso.	Controllare l'alimentazione.

PROBLEMA	CAUSA	SOLUZIONE
C'è umidità fuori dal frigorifero	La porta viene aperta troppo spesso o rimane aperta troppo a lungo.	Non aprire e chiudere la porta così spesso o cercare di non tenerla aperta per molto tempo.
	L'ambiente esterno è molto bagnato.	Asciugare il frigorifero con carta asciutta.
	La temperatura del frigorifero è troppo bassa.	Impostare una temperatura adeguata.
Il compressore continua a funzionare a lungo	Se la temperatura in estate è troppo alta, il compressore funzionerà a lungo. È normale. Se il frigorifero non si raffredda abbastanza, controllare i seguenti elementi:	<ul style="list-style-type: none"> <li>• Se la porta del frigorifero non chiude bene o se viene aperta troppo spesso, chiudere bene la porta e aprirla meno spesso.</li> <li>• Non mettere troppe bevande nel frigorifero e mantenere un certo spazio tra gli alimenti.</li> <li>• Se la temperatura all'interno del frigorifero raggiunge una temperatura troppo bassa, controllare l'impostazione della temperatura e regolare la temperatura su un livello più alto.</li> </ul>
Gli alimenti si congelano nello scomparto frigorifero	<ul style="list-style-type: none"> <li>• Verificare che il cibo non sia posizionato troppo vicino al sensore.</li> <li>• Controllare che il cibo non sia posizionato troppo vicino all'uscita dell'aria.</li> </ul>	
Raffreddamento troppo basso	<ul style="list-style-type: none"> <li>• Verificare che il frigorifero non sia esposto alla luce solare o a qualsiasi fonte di calore situata nelle immediate vicinanze.</li> <li>• Il controllo della temperatura non è impostato correttamente.</li> <li>• Recentemente è stata conservata una grande quantità di cibo caldo o caldo. Attendere che il frigorifero raggiunga la temperatura selezionata.</li> <li>• Le bevande in frigo sono affollate e questo impedisce la corretta circolazione dell'aria fresca.</li> <li>• La porta del frigorifero si apre troppo spesso o non si chiude correttamente.</li> </ul>	
C'è un cattivo odore nel frigorifero	<ul style="list-style-type: none"> <li>• Quando il frigorifero è nuovo, potrebbe emanare un odore di schiuma o plastica. È normale, l'odore scompare con il tempo di utilizzo.</li> <li>• Controllare se all'interno del frigorifero sono presenti cibi o bevande avariati.</li> <li>• Qualsiasi bevanda profumata deve essere sigillata ermeticamente utilizzando il sacchetto di plastica.</li> <li>• Pulire periodicamente il frigorifero.</li> </ul>	
Il frigorifero emette un suono come se il liquido scorre	Quel suono è generato dal flusso di refrigerante all'interno della circolazione delle tubazioni del sistema di refrigerazione. È normale. Non sono necessari ulteriori trattamenti.	
Il frigorifero emette un suono anomalo	<ul style="list-style-type: none"> <li>• Questo è il suono generato quando il frigorifero si avvia o si ferma.</li> <li>• Ciò si verifica quando si verificano variazioni di temperatura all'interno del frigorifero o quando il frigorifero viene avviato o arrestato.</li> <li>• Suoni gorgoglianti o gorgoglianti (come acqua bollente). Questo è il suono normale del refrigerante che circola nel sistema.</li> </ul>	



In conformità con le direttive: 2012/19 / UE e 2015/863 / UE sulla restrizione dell'uso di sostanze pericolose nelle apparecchiature elettriche ed elettroniche, nonché sul loro smaltimento dei rifiuti. Il simbolo con la pattumiera incrociata mostrato sulla confezione indica che il prodotto al termine della sua vita utile verrà raccolto come rifiuto separato. Pertanto, qualsiasi prodotto che ha raggiunto la fine della sua vita utile deve essere consegnato a centri specializzati di smaltimento dei rifiuti per la raccolta selettiva di rifiuti di apparecchiature elettriche ed elettroniche o restituito al rivenditore al momento dell'acquisto di nuove apparecchiature simili, in un'unica per una base. Una corretta raccolta separata per la successiva messa in servizio di apparecchiature spedite per essere riciclate, trattate e smaltite in modo ecologico aiuta a prevenire potenziali effetti negativi sull'ambiente e sulla salute e ottimizza il riciclaggio e il riutilizzo di i componenti che compongono il dispositivo. . L'eliminazione abusiva del prodotto da parte dell'utente implica l'applicazione di sanzioni amministrative in conformità con le leggi.



Vielen Dank, dass Sie sich für unseren Kühlschrank entschieden haben. Lesen Sie die Anweisungen sorgfältig durch, bevor Sie dieses Gerät verwenden und eine optimale Verwendung sicherstellen.

Die hier aufgeführten Sicherheitsmaßnahmen verringern das Risiko von Feuer, Stromschlag und Verletzungen, wenn sie ordnungsgemäß befolgt werden. Bewahren Sie das Handbuch sowie die Garantie, den Kaufbeleg und die Verpackung an einem sicheren Ort auf, damit Sie später darauf zurückgreifen können. Geben Sie diese Anweisungen gegebenenfalls an den zukünftigen Besitzer des Geräts weiter. Befolgen Sie bei der Verwendung eines Elektrogeräts immer die grundlegenden Sicherheitshinweise und Maßnahmen zur Risikoprävention. Der Hersteller haftet nicht für Schäden, die durch die Nichtbeachtung dieser Anweisungen durch den Benutzer entstehen.

---

## SICHERHEITSHINWEISE

---

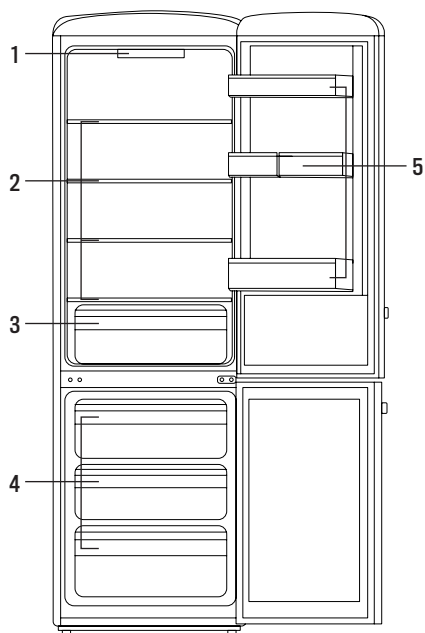
Bitte lesen Sie die folgenden grundlegenden Sicherheitshinweise sorgfältig durch, bevor Sie ein elektrisches Gerät verwenden.

- Dieses Gerät kann von Kindern ab 8 Jahren und Personen mit eingeschränkten körperlichen, sensorischen oder geistigen Fähigkeiten oder Mangel an Erfahrung und Wissen verwendet werden, wenn sie beaufsichtigt oder bezüglich der sicheren Verwendung des Geräts unterwiesen wurden und die Gefahren verstehen beteiligt.
- Kinder sollten nicht mit diesem Gerät spielen.
- Halten Sie Lüftungsöffnungen im Gerätegehäuse oder in Einbauten frei von Hindernissen.
- Den Kältemittelkreislauf nicht beschädigen.
- Verwenden Sie keine Elektrogeräte in den Lebensmittelfächern des Geräts, es sei denn, es handelt sich um vom Hersteller empfohlene Geräte.
- Lagern Sie in diesem Gerät keine explosiven Substanzen wie Aerosoldosen mit brennbarem Treibmittel.
- Um eine Gefährdung durch Instabilität des Geräts zu vermeiden, muss es gemäß den Anweisungen befestigt werden.
- Dieses Kältegerät ist nicht als Einbaugerät bestimmt.
- Nach der Installation des Kühlschranks muss der Stecker leicht zugänglich sein, um das Ausstecken im Falle eines Unfalls zu erleichtern.
- Beschädigen Sie niemals die Stromleitung.
- Ziehen Sie niemals den Stecker des Kühlschranks, indem Sie an der Stromleitung ziehen. Um den Stecker zu entfernen, halten Sie ihn fest und ziehen Sie ihn aus der Steckdose.
- Verhindern Sie, dass das Kühlschrankgehäuse die Stromleitung quetscht oder von jemandem darauf getreten wird.

- Achten Sie beim Aufstellen des Geräts darauf, dass das Netzkabel nicht eingeklemmt oder beschädigt wird. Wickeln Sie das Netzkabel niemals auf, da es sonst beschädigt werden kann.
- Verwenden Sie das Produkt nicht, wenn das Netzkabel beschädigt ist. Wenden Sie sich an den technischen Service, damit das Produkt vom entsprechenden Servicetechniker repariert werden kann.
- Vermeiden Sie das Eindringen von Wasser in das Gerät.
- Besprühen oder waschen Sie den Kühlschrank NIEMALS mit Wasser und stellen Sie den Kühlschrank NIEMALS in einen Bereich, der Feuchtigkeit oder Spritzwasser ausgesetzt ist.
- Berühren Sie nach dem Betrieb des Kühlschranks niemals dessen Innenfläche, insbesondere nicht mit nasser Hand, da sonst die Haut an der Innenfläche haften bleiben und verletzt werden kann.
- Lagern Sie keine flüssigen Lebensmittel in Flaschen im Gefrierfach.
- Geben Sie gefrorene Produkte, die direkt aus dem Gefrierschrank entnommen wurden, nicht in den Mund, da die niedrige Temperatur schwere Erfrierungen verursachen kann.
- Entsorgen Sie das Gerät nur bei einem zugelassenen Entsorgungsbetrieb.
- Um eine Kontamination von Lebensmitteln zu vermeiden, beachten Sie die folgenden Anweisungen:
  - Ein längeres Öffnen der Tür kann zu einem starken Temperaturanstieg in den Geräteräumen führen.
  - Reinigen Sie regelmäßig Oberflächen, die mit Lebensmitteln in Berührung kommen können, und zugängliche Abflusssysteme.
  - Lagern Sie rohes Fleisch und Fisch in geeigneten Behältern im Kühlschrank, damit sie nicht mit anderen Produkten in Berührung kommen oder auf andere Lebensmittel tropfen.
  - Die zwei Stern-Tiefkühlfächer eignen sich zur Aufbewahrung von vorgefrorenen Lebensmitteln, Speiseeis und zur Herstellung von Eiwürfeln.
  - Ein-, Zwei- und Drei-Sterne-Fächer eignen sich nicht zum Einfrieren frischer Lebensmittel.

## LISTE DER TEILE

1. Schalltafel
2. Glasregale
3. Gemüseschublade
4. Gefrierschubladen
5. Türregale



## EINRICHTUNG

- Nehmen Sie das Produkt aus der Verpackung und entfernen Sie das Klebeband, das die Tür und das Gerät schützt.

**Notiz.** Verbleibende Klebeflecken können mit einem milden Waschmittel entfernt werden.

**Vorbehalt.** Der Kühlschrank sollte von hohen Temperaturen, Sonnenlicht oder Feuchtigkeit ferngehalten werden.

- Stellen Sie sicher, dass der Kühlschrank 2 Stunden lang in aufrechter Position nivelliert ist, bevor Sie das Gerät an eine Stromquelle anschließen, um die Möglichkeit einer Fehlfunktion des Kühlsystems zu verringern.
- Kippen Sie den Kühlschrank nicht mehr als 45° aufrecht, wenn Sie ihn bewegen.
- Wenden Sie keine Gewalt auf Teile wie den Kondensator, die Tür und den Griff an, um zu verhindern, dass sich der Kühlschrank verformt oder seine Leistung beeinträchtigt wird.
- Der Kühlschrank muss auf einer ebenen, festen und stabilen Oberfläche aufgestellt werden. Wenn es angehoben werden muss, verwenden Sie eine stabile und solide Unterlage. Verwenden Sie niemals Verpackungsschaumstoff als Unterlage zum Anheben des Kühlschranks.
- Achten Sie darauf, das Gerät in eine horizontale Position zu stellen, indem Sie die 2 vorderen verstellbaren Füße anschrauben.
- Stellen Sie den Kühlschrank nicht an einem Ort auf, der Feuchtigkeit oder Spritzwasser ausgesetzt ist.

**Notiz.** Wasserspritzer oder Schmutz auf dem Kühlschrank sollten rechtzeitig mit einem weichen Tuch entfernt werden, um Rost und eine Verschlechterung der elektrischen Isolierung zu vermeiden.


- Stellen Sie den Kühlschrank nicht in einer Umgebung unter 5 auf°C, oder verwenden Sie es im Regen.
- Der Kühlschrank sollte von Wärmequellen ferngehalten und vor Sonneneinstrahlung geschützt werden, um den normalen Betrieb des Kühlschranks nicht zu beeinträchtigen.

- Das Gerät wird nur mit 220~240V/50Hz Einphasen-Wechselstromversorgung betrieben. Das Gerät verwendet einen geerdeten Wandstecker gemäß den aktuellen Empfehlungen.
- Wenn das Netzkabel beschädigt ist, ersetzen Sie es nicht und wenden Sie sich an den technischen Support.
- Der Stecker muss leicht zugänglich, aber außerhalb der Reichweite von Kindern sein. Wenn Sie sich nicht sicher sind, wenden Sie sich an Ihren Installateur.
- Der Kühlschrank ist für die freistehende Aufstellung konzipiert.
- Um ein ungehindertes Öffnen der Türen und eine ausreichende Belüftung von allen Seiten zu gewährleisten, muss zwischen den Geräteseiten und der Wand ein Mindestabstand von 30 cm nach oben und 5 cm zu den Seiten eingehalten werden. Der Abstand sollte niemals geringer sein, da sonst der normale Betrieb des Kühlschranks beeinträchtigt werden kann.
- Reinigen Sie den Kühlschrank mit einem Tuch, schließen Sie ihn danach aber nicht mehr an.
- Halten Sie den Kühlschrank länger als 2 Stunden still und schließen Sie ihn dann an die Steckdose an, um den normalen Betrieb des Kühlschranks sicherzustellen. Nach dem Einschalten der Stromversorgung beginnt der Kühlschrank zu arbeiten. Stellen Sie sicher, dass die Türen richtig geschlossen sind.
- Stellen Sie nach 2-3 Stunden die Temperatur ein und füllen Sie dann die Lebensmittel gemäß den Anweisungen ein. Es ist normal, dass der Kompressor beim ersten Verstopfen länger läuft und dann mit Unterbrechungen läuft.
- Schalten Sie die Stromversorgung des Kühlschranks nicht aus, es sei denn, es ist notwendig. Die Unterbrechung kann zu einem Temperaturanstieg im Kühlschrank führen.

## SCHALTAFEL



### TEMPERATUREINSTELLUNG

Drücken Sie den Knopf  „Kühlschrank/Gefrierschrank“, um die Temperatureinstellung anzupassen. Die Temperatur steigt oder fällt bei jedem Drücken um 1 °C.

- Temperaturbereich Kühlschrank: 2~8 °C
- Gefriertemperaturbereich: -16°C~-24°C

### MODI

Drücken Sie den Knopf  Modus, um den gewünschten Modus auszuwählen.

Während des Moduswechsels blinkt das Symbol 5 Mal, dann leuchtet das Licht durchgehend und der Modus wird ausgewählt.

-  schnelles Kühlen

In diesem Modus wird das Kühlfach 12 Stunden lang auf 2 °C gehalten. Wenn Sie die Temperatureinstellung manuell ändern, erlischt das „Quick Cool“-Symbol. Die Temperatur des Gefrierfachs hat keinen Einfluss auf diese Funktion.

-  Schockfrostern

Dieser Modus hält den Gefrierschrank 24 Stunden lang bei -24 °C. Wenn Sie die Temperatur manuell ändern, funktioniert der Gefrierschrank nicht mehr in diesem Modus. Jegliche Temperaturänderung im Kühlraum wirkt sich nicht auf die „Schnellgefrier“-Funktion aus.

-  Optimum

In diesem Modus beträgt die Kühlschranktemperatur 5 °C und die Gefriertemperatur -18 °C. Jede Temperaturänderung schaltet automatisch den „Best“-Modus aus und folgt den neuen Einrichtungsanweisungen.

---

## PFLEGE UND WARTUNG

---

Der Kühlschrank ist mit einer automatischen Abtaufunktion (No-Frost) ausgestattet. Das Tauwasser fließt in die Wasserwanne und verdunstet.

- Das Innere des Kühlschranks sollte jedes Jahr gründlich gereinigt werden. Denken Sie immer daran, den Stecker zu ziehen, bevor Sie den Stecker aus der Steckdose ziehen und den Kühlschrank leeren.
- Reinigen Sie mit einem feuchten Tuch oder Schwamm, der mit Wasser oder einem milden Reinigungsmittel angefeuchtet ist. Verwenden Sie zur Reinigung des Kühlschranks niemals Lösungsmittel, abgekochtes Wasser, Waschpulver, Säure oder ähnliches.
- In einer feuchten Umgebung oder bei regnerischem Wetter kann die Oberfläche des Kühlschranks feucht sein, insbesondere die Außenfläche der Tür. Dies wird durch den Kontakt mit Feuchtigkeit in der Luft verursacht. In einem solchen Fall kann die Oberfläche mit einem trockenen Tuch getrocknet werden.
- Um den normalen Betrieb des Kühlschranks über einen langen Zeitraum sicherzustellen, sollte der Benutzer den Kühlschrank regelmäßig überprüfen. Wenn Sie eine Anomalie feststellen, wenden Sie sich an den technischen Kundendienst.
- Verwenden Sie während des Reinigungsvorgangs kein Wasser, um das Kompressorfach des Kühlschranks zu spülen.
- Trocknen Sie den Kühlschrank nach der Reinigung mit einem trockenen Tuch ab, um Rost zu vermeiden.
- Gehen Sie besonders vorsichtig mit der Türdichtung um, da herunterfallende Flüssigkeiten diese beschädigen könnten. Achten Sie darauf, es sauber und trocken zu halten.

### **Herausnehmen und in die Regale stellen**

- Halten Sie den hinteren Teil höher, um das Regal herauszuziehen, und schieben Sie es dann so weit wie möglich hinein, damit seine Halterung in den Führungsschlitz passt.

### **Herausnehmen und in die Schublade legen**

- Vorderteil höher stellen und herausziehen, dann bis zum Anschlag schieben.

### **Herausnehmen und in den Türabsteller stecken**

- Heben Sie die Türablage an, nehmen Sie sie heraus und setzen Sie sie von oben in die gewünschte Position.

### **Überprüfen Sie nach der Reinigung Folgendes:**

- Das Netzkabel ist unbeschädigt.
- Wenn sich der Stecker problemlos einstecken lässt.
- Wenn der Stecker ungewöhnlich heiß ist.
- Wenn einer der oben genannten Fälle eintritt, trennen Sie den Kühlschrank vom Stromnetz und wenden Sie sich an den technischen Support.

---

## ESSENSLAGER

---

1. Bevor Sie Lebensmittel in Ihrem Kühlschrank lagern, vergewissern Sie sich, dass die Lebensmittel, insbesondere Lebensmittel mit Wasser, trocken sind und nicht auslaufen.
2. Heiße oder warme Speisen sollten nach dem Abkühlen in den Kühlschrank gestellt werden, um Energie zu sparen.
3. Jedes Regal kann für einfachen Zugang zu Flaschen entfernt werden.
4. Lassen Sie für eine bessere Luftzirkulation im Kühlschrank ausreichend Platz zwischen den Lebensmitteln.
5. Für beste Ergebnisse wird empfohlen, Lebensmittel in Stücken aufzubewahren.
6. Lagern Sie Obst und Gemüse nach der Reinigung ordnungsgemäß verpackt oder in ordnungsgemäß verschlossenen Behältern, um unerwartete Gerüche zu vermeiden.
7. Bewahren Sie Obst und Gemüse im Gemüsefach auf, damit es frisch bleibt.
8. Halten Sie frische, warme Speisen bei Zimmertemperatur fern von bereits gefrorenen Produkten.

Die Lagerzeit von Tiefkühlprodukten hängt von ihrer Qualität vor dem Einfrieren im frischen Zustand und von der Lagertemperatur ab.

Die folgenden Lagerzeiten werden bei einer Temperatur von -18 °C empfohlen°C oder niedriger:

PRODUKTE	MONATE
Fleisch	6-8
Kalbfleisch	3-6
Innereien	1-2
Schweinefleisch	3-6
Geflügel	6-8
Fische	3-6

Die Kühltürschublade ist für alle empfindlichen und leicht verderblichen Lebensmittel, zum Beispiel:

- Gemüse und andere vorverpackte frische Lebensmittel mit einem Etikett, das darauf hinweist, dass sie bei einer Temperatur von etwa 4 °C aufbewahrt werden sollten.
- Frischteige, Backmischungen, ...
- Gerichte oder Backwaren, die Eier oder Sahne enthalten.
- Würste und Fertiggerichte.
- Butter und Käse.

Nicht alle Lebensmittel sind für die Aufbewahrung im Kühlschrank geeignet. Achten Sie auf die richtige Lagerung der Produkte.

## PROBLEMLÖSUNG

AUSGABE	WEIL	LÖSUNG
Der Kühlschrank funktioniert nicht.	Die Stromversorgung ist nicht angeschlossen.	Schalten Sie die Stromversorgung ein.
	Der Kühlschrank friert automatisch ein.	Es ist ein normales Phänomen.
	Der Kompressor ist mit einem Schutzmodus ausgestattet.	Das Betriebsintervall des Kompressors beträgt 5 Minuten
	Die Computerplatine ist beschädigt.	Benachrichtigen Sie den Hersteller zwecks Reparatur.
Das Geräusch ist zu laut	Der Kühlschrank steht nicht eben.	Nivellieren Sie den Kühlschrank, wenn er nicht eben ist.
	Der Kühlschrank berührt Möbel und/oder andere Gegenstände.	Stellen Sie das Gerät an einem Ort auf, der ausreichend Platz um das Gerät herum gewährleistet.
	Der Lüfter sitzt nicht fest.	Benachrichtigen Sie den Hersteller zwecks Reparatur.
Die Kühlschrankbeleuchtung ist nicht an	Die Beleuchtungslampe ist beschädigt.	Benachrichtigen Sie den Hersteller für den Lampenaustausch.
	Überprüfen Sie, ob die Stromversorgung eingeschaltet ist.	Überprüfen Sie die Stromversorgung.

AUSGABE	WEIL	LÖSUNG
Außerhalb des Kühlschranks ist Feuchtigkeit vorhanden	Die Tür wird zu oft oder zu lange geöffnet.	Öffnen und schließen Sie die Tür nicht so oft oder versuchen Sie, die Tür nicht lange offen zu lassen.
	Das äußere Umfeld ist sehr nass.	Trocknen Sie den Kühlschrank mit einem trockenen Papier.
	Die Kühlschranktemperatur ist zu niedrig.	Stellen Sie eine geeignete Temperatur ein.
Kompressor läuft lange weiter	Wenn die Temperatur im Sommer zu hoch ist, arbeitet der Kompressor lange. Das ist normal. Wenn der Kühlschrank nicht kalt genug wird, überprüfen Sie die folgenden Punkte: <ul style="list-style-type: none"> <li>• Wenn die Kühlschranktür nicht gut abdichtet oder zu oft geöffnet wird, schließen Sie die Tür gut und öffnen Sie sie seltener.</li> <li>• Stellen Sie nicht zu viele Getränke in den Kühlschrank und halten Sie einen gewissen Abstand zwischen den Lebensmitteln.</li> <li>• Wenn die Temperatur im Kühlschrank eine zu niedrige Temperatur erreicht, überprüfen Sie die Temperatureinstellung und stellen Sie die Temperatur auf eine höhere Stufe ein.</li> </ul>	
Lebensmittel gefrieren im Kühlfach	<ul style="list-style-type: none"> <li>• Vergewissern Sie sich, dass Lebensmittel nicht zu nahe am Sensor platziert sind.</li> <li>• Vergewissern Sie sich, dass die Lebensmittel nicht zu nahe am Luftauslass platziert sind.</li> </ul>	
Kühlung zu gering	<ul style="list-style-type: none"> <li>• Stellen Sie sicher, dass der Kühlschrank weder Sonnenlicht noch einer Wärmequelle in seiner unmittelbaren Umgebung ausgesetzt ist.</li> <li>• Temperaturregelung ist nicht richtig eingestellt.</li> <li>• Kürzlich wurde eine große Menge warmer oder heißer Speisen eingelagert. Warten Sie, bis der Kühlschrank die gewählte Temperatur erreicht hat.</li> <li>• Die Getränke im Kühlschrank sind überfüllt und dies verhindert die richtige Zirkulation der Frischluft.</li> <li>• Die Kühlschranktür öffnet sich zu oft oder schließt nicht richtig.</li> </ul>	
Im Kühlschrank riecht es unangenehm	<ul style="list-style-type: none"> <li>• Wenn der Kühlschrank neu ist, kann er nach Schaummittel oder Plastik riechen. Das ist normal, der Geruch verschwindet mit der Zeit des Gebrauchs.</li> <li>• Überprüfen Sie, ob sich verdorbene Lebensmittel oder Getränke im Kühlschrank befinden.</li> <li>• Jedes Getränk mit Duft sollte mit der Plastiktüte dicht verschlossen werden.</li> <li>• Reinigen Sie den Kühlschrank regelmäßig.</li> </ul>	
Der Kühlschrank macht ein Geräusch, als würde eine Flüssigkeit fließen	Dieses Geräusch wird durch den Kühlmittelfluss innerhalb der Zirkulation der Kühlsystemrohre erzeugt. Das ist normal. Es ist keine weitere Behandlung erforderlich.	
Der Kühlschrank macht ungewöhnliche Geräusche	<ul style="list-style-type: none"> <li>• Dies ist das Geräusch, das beim Starten oder Stoppen des Kühlschranks erzeugt wird.</li> <li>• Dies wird verursacht, wenn sich die Temperatur im Kühlschrank ändert oder wenn der Kühlschrank gestartet oder gestoppt wird.</li> <li>• Blubbernde oder gurgelnde Geräusche (wie kochendes Wasser). Dies ist das normale Geräusch des durch das System zirkulierenden Kältemittels.</li> </ul>	



In Übereinstimmung mit den Richtlinien: 2012/19 / EU und 2015/863 / EU über die Beschränkung der Verwendung gefährlicher Stoffe in elektrischen und elektronischen Geräten sowie deren Abfallentsorgung. Das Symbol mit der gekreuzten Mülltonne auf der Verpackung zeigt an, dass das Produkt am Ende seiner Nutzungsdauer als separater Abfall gesammelt wird. Daher muss jedes Produkt, das das Ende seiner Nutzungsdauer erreicht hat, an spezialisierte Abfallentsorgungszentren zur selektiven Sammlung von elektrischen und elektronischen Abfallgeräten geliefert oder beim Kauf ähnlicher neuer Geräte an den Einzelhändler zurückgegeben werden für eine Basis. Die ordnungsgemäße getrennte Sammlung für die spätere Inbetriebnahme von Geräten, die zum umweltfreundlichen Recycling, zur Behandlung und Entsorgung versandt werden, trägt dazu bei, mögliche negative Auswirkungen auf Umwelt und Gesundheit zu vermeiden und das Recycling und die Wiederverwendung zu optimieren die Komponenten, aus denen das Gerät besteht. Die missbräuchliche Beseitigung des Produkts durch den Benutzer impliziert die Anwendung von Verwaltungsanktionen in Übereinstimmung mit den Gesetzen.

Bedankt voor het kiezen van onze koelkast. Lees de instructies zorgvuldig door voordat u dit apparaat gebruikt en om het optimaal te gebruiken.

De hier vermelde veiligheidsmaatregelen verminderen het risico op brand, elektrische schokken en letsel als ze op de juiste manier worden opgevolgd. Bewaar de handleiding op een veilige plaats voor toekomstige referentie, evenals de garantie, aankoopbon en doos. Geef deze instructies, indien van toepassing, door aan de toekomstige eigenaar van het apparaat. Volg altijd de basisveiligheidsinstructies en risicopreventie maatregelen bij het gebruik van een elektrisch apparaat. De fabrikant is niet verantwoordelijk voor enige schade als gevolg van het niet naleven van deze instructies door de gebruiker.

---

## BEVEILIGINGSINSTRUCTIES

---

Voordat u een elektrisch apparaat gebruikt, dient u de volgende elementaire veiligheidsmaatregelen zorgvuldig door te lezen.

- Dit apparaat kan worden gebruikt door kinderen van 8 jaar en ouder en personen met verminderde fysieke, zintuiglijke of mentale vermogens of gebrek aan ervaring en kennis als ze onder toezicht staan of instructies hebben gekregen over het veilige gebruik van het apparaat en de gevaren begrijpen betrokken. .
- Kinderen mogen niet met dit apparaat spelen.
- Houd ventilatieopeningen in de behuizing van het apparaat of de ingebouwde structuur vrij van obstakels.
- Beschadig het koelcircuit niet.
- Gebruik geen elektrische apparaten in de voedselopbergvakken van het apparaat, tenzij ze van het type zijn dat door de fabrikant wordt aanbevolen.
- Bewaar geen explosieve stoffen zoals spuitbussen met een ontvlambaar drijfgas in dit apparaat.
- Om gevaar als gevolg van instabiliteit van het apparaat te voorkomen, moet het worden bevestigd in overeenstemming met de instructies.
- Dit koelapparaat is niet ontworpen om als inbouwapparaat te worden gebruikt.
- Na het installeren van de koelkast moet de stekker gemakkelijk toegankelijk zijn om het loskoppelen in geval van een ongeluk te vergemakkelijken.
- Beschadig nooit de stroomkabel.
- Haal de stekker van de koelkast nooit uit het stopcontact door aan het elektriciteitssnoer te slepen. Om de stekker te verwijderen, houdt u deze vast en trekt u hem uit het stopcontact.



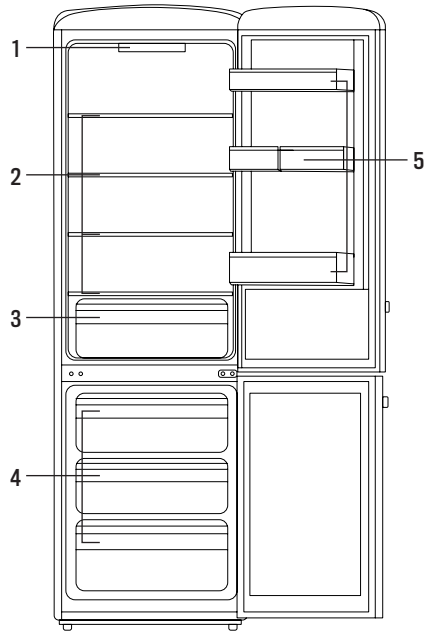
- Voorkom dat de behuizing van de koelkast de stroomkabel verplettert of dat er iemand op stapt.
- Zorg er bij het plaatsen van het apparaat voor dat het netsnoer niet klem komt te zitten of beschadigd raakt. Rol het netsnoer nooit op, anders kan het beschadigd raken.
- Gebruik het product niet als de voedingskabel beschadigd is. Neem contact op met de technische dienst zodat het product kan worden gerepareerd door de desbetreffende servicemonteur.
- Vermijd het binnendringen van water in het apparaat.
- Spuit of was de koelkast NOOIT met water, en plaats de koelkast NOOIT in een ruimte die is blootgesteld aan vocht of opspattend water.
- Raak na gebruik van de koelkast nooit het binnenoppervlak aan, vooral niet als uw hand nat is, anders kan de huid aan het binnenoppervlak blijven kleven en letsel oplopen.
- Bewaar geen vloeibare levensmiddelen in flessen in het vriesvak.
- Plaats geen diepgevroren producten, rechtstreeks uit de vriezer, in de mond, de lage temperatuur kan ernstige bevriezing veroorzaken.
- Wanneer u het apparaat weggooit, doe dit dan alleen bij een erkend afvalverwerkingsbedrijf.
- Neem de volgende instructies in acht om voedselbesmetting te voorkomen:
  - Het langdurig openen van de deur kan een aanzienlijke temperatuurstijging in de compartimenten van het apparaat veroorzaken.
  - Reinig regelmatig oppervlakken die in contact kunnen komen met voedsel en toegankelijke afvoersystemen.
  - Bewaar rauw vlees en vis in geschikte containers in de koelkast, zodat ze niet in contact komen met andere producten of op andere voedingsmiddelen druppelen.
  - De diepvriesvakken met twee sterren zijn geschikt voor het bewaren van voorgedroogd voedsel, ijs en het maken van ijsblokjes.
  - Eén-, twee- en driestervakken zijn niet geschikt voor het invriezen van vers voedsel.

---

## LIJST MET ONDERDELEN

---

1. Controlepaneel
2. Glazen planken
3. Groentelade
4. Vrieslades
5. Deur rekken



---

## FACILITEIT

---

- Haal het product uit de verpakking en verwijder het plakband dat de deur en de apparatuur beschermt.

**Opmerking.** Resterende lijmvlekken kunnen worden verwijderd met een mild wasmiddel.

**Caveat.** Houd de koelkast uit de buurt van hoge temperaturen, zonlicht of vochtige omstandigheden.

- Zorg ervoor dat de koelkast 2 uur rechtop waterpas staat voordat u het apparaat op een stroombron aansluit, dit verkleint de kans op een storing in het koelsysteem.
- Kantel de koelkast niet meer dan 45° rechtop tijdens het verplaatsen.
- Oefen geen kracht uit op onderdelen zoals de condensor, de deur en het handvat om te voorkomen dat de koelkast vervormt, anders worden de prestaties beïnvloed.
- De koelkast moet op een vlakke, stevige en stabiele ondergrond worden geplaatst. Als het moet worden opgetild, gebruik dan een stabiele en stevige pad. Gebruik nooit verpakkingsschuim als kussen om de koelkast op te tillen.
- Zorg ervoor dat u het apparaat horizontaal plaatst door de 2 verstelbare pootjes aan de voorkant vast te schroeven.
- Plaats de koelkast niet in een ruimte die is blootgesteld aan vocht of opspattend water.

**Opmerking.** Waterspatten of vuil op de koelkast moeten tijdig worden verwijderd met een zachte doek om roest en verslechtering van de elektrische isolatie te voorkomen.

- Plaats de koelkast niet in een omgeving onder de 5C, of gebruik het in de regen.
- De koelkast moet uit de buurt van de warmtebron worden gehouden en tegen zonlicht worden beschermd, om te voorkomen dat de normale werking van de koelkast wordt beïnvloed.
- Het apparaat wordt alleen gebruikt met 220~240V/50Hz eenfasige wisselstroomvoeding. Het apparaat gebruikt een geaard stopcontact in overeenstemming met de huidige aanbevelingen.

- Als het netsnoer beschadigd is, vervang het dan niet en neem contact op met de technische ondersteuning.
- De stekker moet gemakkelijk toegankelijk zijn, maar buiten het bereik van kinderen. Neem bij twijfel contact op met uw installateur.
- De koelkast is ontworpen voor vrijstaande installatie.
- Om ervoor te zorgen dat de deuren vrij kunnen openen en dat er van alle kanten voldoende ventilatie is, moet er een minimale afstand tussen de zijkanten van het apparaat en de muur zijn van 30 cm naar boven en 5 cm naar de zijkanten. De ruimte mag nooit minder zijn, anders kan de normale werking van de koelkast nadelig worden beïnvloed.
- Maak de koelkast schoon met een doek, maar sluit hem daarna niet meer aan.
- Houd de koelkast langer dan 2 uur stil en steek de stekker in het stopcontact om de normale werking van de koelkast te garanderen. Na het inschakelen van de stroomvoorziening begint de koelkast te werken. Zorg ervoor dat de deuren goed gesloten zijn.
- Pas na 2-3 uur de temperatuur aan en vul het voedsel volgens de instructies. Het is normaal dat de compressor langer draait tijdens de eerste keer aansluiten en dan met tussenpozen werkt.
- Schakel de stroomvoorziening van de koelkast niet uit, tenzij dit nodig is. Door de onderbreking kan de temperatuur in de koelkast stijgen.

## CONTROLEPANEEL



### TEMPERATUUR INSTELLING

Druk op de knop "Fridge/Freezer" om de temperatuurinstelling aan te passen. Bij elke druk op de knop stijgt of daalt de temperatuur met 1°C.

- Temperatuurbereik koelkast: 2~8°C
- Temperatuurbereik vriezer: -16°C~-24°C

### MODI

Druk op de knop modus om de gewenste modus te selecteren.

Tijdens het wijzigen van de modus knippert het pictogram 5 keer, daarna brandt het lampje continu en wordt de modus geselecteerd.

- snelle afkoeling

In deze modus wordt het koelgedeelte 12 uur op 2°C gehouden. Als u de temperatuurinstelling handmatig wijzigt en het "Quick Cool"-pictogramlampje gaat uit. De temperatuur van het vriesvak heeft geen invloed op deze functie.

- Snel bevriezen

Deze modus houdt de vriezer 24 uur op -24°C. Als u de temperatuur handmatig wijzigt, stopt de vriezer met werken in deze modus. Elke temperatuurverandering in het koelgedeelte heeft geen invloed op de functie "Fast Freeze".

- Optimaal

In deze modus is de koelkasttemperatuur 5°C en de vriezertemperatuur -18°C. Elke verandering in temperatuur zal automatisch de "Best"-modus uitschakelen en de nieuwe installatie-instructies volgen.

---

## VERZORGING EN ONDERHOUD

---

De koelkast is voorzien van een automatische ontdooifunctie (no-frost). Het dooiwater zal in de waterpan gaan en verdampen.

- De binnenkant van de koelkast moet elk jaar grondig worden schoongemaakt. Denk er altijd aan om de stekker uit het stopcontact te halen voordat u de stekker uit het stopcontact haalt en de koelkast leegt.
- Reinig met een vochtige doek of spons die is bevochtigd met water of een mild schoonmaakmiddel. Gebruik voor het reinigen van de koelkast nooit oplosmiddelen, gekookt water, waspoeder, zuur of iets dergelijks.
- In een vochtige omgeving of regenachtig weer kan het oppervlak van de koelkast bedauwd zijn, vooral aan de buitenkant van de deur. Dit wordt veroorzaakt door contact met vocht in de lucht. In een dergelijk geval kan het oppervlak worden gedroogd met een droge doek.
- Om de normale werking van de koelkast voor een lange periode te garanderen, moet de gebruiker de koelkast regelmatig inspecteren. Neem contact op met de technische dienst als u een afwijking constateert.
- Gebruik tijdens het reinigen geen water om het compressorcompartiment van de koelkast te spelen.
- Droog de koelkast na het reinigen af met een droge doek om roest te voorkomen.
- Wees extra voorzichtig met de deurpakking, want als er vloeistof valt, kan deze deze beschadigen. Zorg ervoor dat je het schoon en droog houdt.

### Haal eruit en zet in de schappen

- Houd het achterste gedeelte hoger om het schap naar buiten te schuiven en schuif het vervolgens zo ver mogelijk naar binnen, zodat de beugel in de geleidingsgleuf past.

### Haal eruit en leg in de lade

- Maak het voorste deel hoger en trek het naar buiten, schuif het dan zo ver mogelijk tot het stopt.

### Uitnemen en in het deurrek zetten

- Til het deurblad op, verwijder het en plaats het van bovenaf in de gewenste positie.

### Controleer na het reinigen of:

- Er is geen schade aan het netsnoer.
- Als de stekker er zonder problemen in kan.
- Als er abnormale hitte in de stekker zit.
- Als een van de bovenstaande situaties zich voordoet, haal dan de stekker uit het stopcontact en neem contact op met de technische ondersteuning.

---

## VOEDSELOPSLAG

---

1. Voordat u voedsel in uw koelkast bewaart, moet u ervoor zorgen dat het voedsel, vooral voedsel met water, droog is en niet lekt.
2. Warm of warm voedsel moet na afkoeling in de koelkast worden geplaatst om energie te besparen.
3. Elke plank kan worden verwijderd voor gemakkelijke toegang tot flessen.
4. Laat voldoende ruimte tussen de voedingsmiddelen voor een betere luchtventilatie in de koelkast.
5. Het wordt aanbevolen om voedsel in stukken te bewaren voor het beste resultaat.
6. Bewaar groenten en fruit na het schoonmaken in de juiste verpakking of in goed afgesloten containers om onverwachte geurtjes te voorkomen.
7. Bewaar groenten en fruit in de groentelade zodat ze vers blijven.
8. Houd verse, warme gerechten op kamertemperatuur uit de buurt van producten die al zijn ingevroren.

De bewaartijd van diepgevroren producten is afhankelijk van de kwaliteit voor het invriezen als ze vers zijn en van de bewaartemperatuur.

De volgende opslagperiodes worden aanbevolen bij een temperatuur van -18C of lager:

PRODUCTEN	MAANDEN
Vlees	6-8
Kalfsvlees	3-6
Ingewanden	1-2
Varkensvlees	3-6
Gevogelte	6-8
Vis	3-6

De koelkastlade is geschikt voor alle delicate en bederfelijke etenswaren, bijvoorbeeld:

- Groenten en andere voorverpakte verse levensmiddelen met een etiket dat aangeeft dat ze op een temperatuur van ongeveer 4°C moeten worden bewaard.
- Vers deeg, cakemixen, ...
- Gerechten of bakkerijproducten met eieren of room.
- Worst en bereide gerechten.
- Boter en kaas.

Niet alle voedingsmiddelen zijn geschikt om in de koelkast te bewaren. Zorg ervoor dat u de producten op de juiste manier opbergt.

## PROBLEEM OPLOSSING

KWESTIE	OORZAAK	OPLOSSING
De koelkast werkt niet.	De voeding is niet aangesloten.	Schakel de voeding in.
	De koelkast befrist automatisch.	Het is een normaal verschijnsel.
	De compressor is voorzien van een beveiligingsmodus.	Het bedrijfsinterval van de compressor is 5 minuten
	Het computerbord is beschadigd.	Breng de fabrikant op de hoogte voor reparatie.
Het geluid is te luid	De koelkast staat niet waterpas.	Zet de koelkast waterpas als deze niet waterpas staat.
	De koelkast raakt meubels en/of andere voorwerpen.	Plaats het apparaat op een plaats met voldoende ruimte eromheen.
	De ventilator zit niet stevig vast.	Breng de fabrikant op de hoogte voor reparatie.
Het koelkastlampje brandt niet	De verlichtingslamp is beschadigd.	Informeer fabrikant voor lampvervangning.
	Controleer of de voeding is ingeschakeld.	Controleer de voeding.

KWESTIE	OORZAAK	OPLOSSING
Er is vochtigheid buiten de koelkast	De deur wordt te vaak geopend of staat te lang open.	Open en sluit de deur niet zo vaak of probeer de deur lange tijd niet open te houden.
	De externe omgeving is erg nat.	Droog de koelkast af met droog papier.
	De temperatuur van de koelkast is te laag.	Stel een geschikte temperatuur in.
Compressor blijft lang draaien	Als de temperatuur in de zomer te hoog is, zal de compressor lang werken. Dit is normaal. Als de koelkast niet koud genoeg wordt, controleer dan de volgende punten: <ul style="list-style-type: none"> <li>Als de koelkastdeur niet goed afsluit of te vaak wordt geopend, sluit dan de deur goed en open hem minder vaak.</li> <li>Zet niet te veel drankjes in de koelkast en houd een bepaalde ruimte tussen de etenswaren.</li> <li>Als de temperatuur in de koelkast een te lage temperatuur bereikt, controleer dan de temperatuurstelling en stel de temperatuur hoger in.</li> </ul>	
Voedsel bevroert in het koelgedeelte	<ul style="list-style-type: none"> <li>Controleer of het voedsel niet te dicht bij de sensor wordt geplaatst.</li> <li>Controleer of het voedsel niet te dicht bij de luchtuitlaat wordt geplaatst.</li> </ul>	
Koeling te laag	<ul style="list-style-type: none"> <li>Controleer of de koelkast niet wordt blootgesteld aan zonlicht of een warmtebron in de directe omgeving.</li> <li>De temperatuurregeling is niet correct ingesteld.</li> <li>Er is onlangs een grote hoeveelheid warm of heet voedsel bewaard. Wacht tot de koelkast de geselecteerde temperatuur heeft bereikt.</li> <li>De drankjes in de koelkast staan overvol en dit verhindert de juiste circulatie van frisse lucht.</li> <li>De koelkastdeur gaat te vaak open of sluit niet goed.</li> </ul>	
Er hangt een slechte geur in de koelkast	<ul style="list-style-type: none"> <li>Als de koelkast nieuw is, kan deze een geur van schuimmiddel of plastic afgeven. Dat is normaal, de geur zal verdwijnen na verloop van tijd.</li> <li>Controleer of er bedorven etenswaren of dranken in de koelkast aanwezig zijn.</li> <li>Elke drank met een geur moet goed worden afgesloten met behulp van de plastic zak.</li> <li>Maak de koelkast regelmatig schoon.</li> </ul>	
De koelkast maakt een geluid alsof er vloeistof stroomt	Dat geluid wordt gegenereerd door de stroom koelmiddel in de circulatie van de leidingen van het koelsysteem. Dat is normaal. Er is geen verdere behandeling nodig.	
De koelkast maakt een abnormaal geluid	<ul style="list-style-type: none"> <li>Dit is het geluid dat wordt gegenereerd wanneer de koelkast start of stopt.</li> <li>Dit wordt veroorzaakt wanneer de temperatuur in de koelkast verandert of wanneer de koelkast wordt gestart of gestopt.</li> <li>Borrelen of gorgelende geluiden (zoals kokend water). Dit is het normale geluid van koelmiddel dat door het systeem circuleert.</li> </ul>	



In overeenstemming met de richtlijnen: 2012/19 / EU en 2015/863 / EU betreffende de beperking van het gebruik van gevaarlijke stoffen in elektrische en elektronische apparatuur, evenals hun afvalverwerking. Het symbool met de gekruiste vuilnisbak op de verpakking geeft aan dat het product aan het einde van zijn levensduur als gescheiden afval wordt ingezameld. Daarom moet elk product dat het einde van zijn levensduur heeft bereikt, worden afgeleverd bij gespecialiseerde afvalverwijderingscentra voor de selectieve inzameling van afgedankte elektrische en elektronische apparatuur, of bij de aankoop van soortgelijke nieuwe apparatuur in één keer aan de detailhandelaar worden geretourneerd. voor één basis. Een juiste gescheiden inzameling voor latere inbedrijfstelling van apparatuur die wordt verzonden om te worden gerecycled, behandeld en op milieuvriendelijke wijze afgevoerd, helpt mogelijke negatieve effecten op het milieu en de gezondheid te voorkomen en optimaliseert recycling en hergebruik van de componenten waaruit het apparaat bestaat. De onrechtmatige eliminatie van het product door de gebruiker impliceert de toepassing van administratieve sancties in overeenstemming met de wetten.

Dziękujemy za wybór naszej lodówki. Przed użyciem tego urządzenia i aby zapewnić jego jak najlepsze wykorzystanie, należy uważnie przeczytać instrukcję.

Wymienione tutaj środki bezpieczeństwa zmniejszają ryzyko pożaru, porażenia prądem i obrażeń, jeśli są odpowiednio przestrzegane. Przechowuj instrukcję w bezpiecznym miejscu do wykorzystania w przyszłości, a także gwarancji, dowodu zakupu i pudełka. W razie potrzeby przekaż te instrukcje przyszłemu właścicielowi urządzenia. Podczas korzystania z urządzenia elektrycznego należy zawsze przestrzegać podstawowych instrukcji bezpieczeństwa i środków zapobiegania ryzyku. Producent nie ponosi odpowiedzialności za jakiegokolwiek szkody wynikające z nieprzestrzegania przez użytkownika instrukcji.

## INSTRUKCJE BEZPIECZEŃSTWA

Przed użyciem jakiegokolwiek urządzenia elektrycznego należy uważnie przeczytać poniższe podstawowe środki ostrożności.

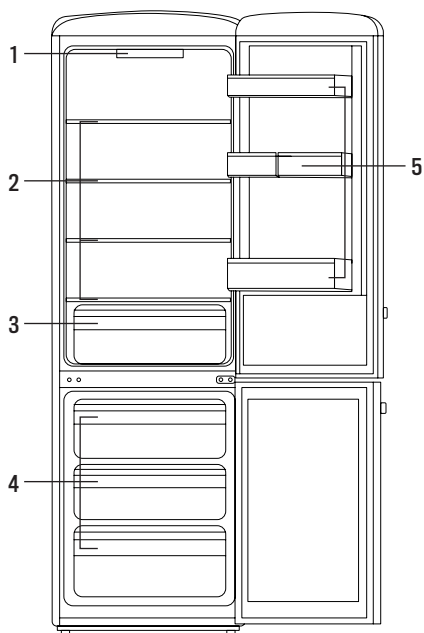
- To urządzenie może być używane przez dzieci w wieku 8 lat i starsze oraz osoby o ograniczonych zdolnościach fizycznych, sensorycznych lub umysłowych lub bez doświadczenia i wiedzy, jeśli znajdują się pod nadzorem lub są poinstruowane dotyczące bezpiecznego korzystania z urządzenia i rozumieją zagrożenia zaangażowanych.
- Dzieci nie powinny bawić się tym urządzeniem.
- Utrzymuj otwory wentylacyjne w obudowie urządzenia lub w zabudowanej konstrukcji wolnej od przeszkód.
- Nie uszkadzaj obwodu czynnika chłodniczego.
- Nie używaj urządzeń elektrycznych wewnątrz komór do przechowywania żywności urządzenia, chyba że są to urządzenia zalecane przez producenta.
- Nie przechowuj w tym urządzeniu substancji wybuchowych, takich jak puszki aerozolu z łatwopalnym propelentem.
- Aby uniknąć zagrożenia związanego z niestabilnością urządzenia, należy je zamocować zgodnie z instrukcją.
- To urządzenie chłodnicze nie jest przeznaczone do użytku jako urządzenie do zabudowy.
- Po zainstalowaniu lodówki wtyczka musi być łatwo dostępna, aby ułatwić odłączenie w razie wypadku.
- Nigdy nie uszkadzaj linii energetycznej.
- Nigdy nie odłączaj wtyczki lodówki, ciągnąc za przewód zasilający. Aby wyjąć wtyczkę, przytrzymaj ją i wyciągnij z gniazdka.
- Zapobiegaj zmiążdżeniu przewodu zasilającego lub nadeptaniu na korpus lodówki.

- Podczas umieszczania urządzenia upewnij się, że przewód zasilający nie jest przytrzaśnięty lub uszkodzony. Nigdy nie zwijaj przewodu zasilającego, ponieważ może on ulec uszkodzeniu.
- Jeśli kabel zasilający jest uszkodzony, nie używaj produktu. Skontaktuj się z serwisem technicznym, aby produkt mógł zostać naprawiony przez odpowiedniego technika serwisowego.
- Unikaj dostania się wody do urządzenia.
- NIGDY nie spryskuj ani nie myj lodówki wodą ani nie umieszczaj lodówki w miejscu narażonym na działanie wilgoci lub rozpryskiwania wody.
- Po uruchomieniu lodówki nigdy nie dotykaj jej wewnętrznej powierzchni, zwłaszcza gdy masz mokrą rękę, w przeciwnym razie skóra może przykleić się do wewnętrznej powierzchni i zranić.
- Nie przechowuj płynnych produktów spożywczych w butelkach w komorze zamrażarki.
- Nie wkładaj do ust produktów mrożonych pobranych bezpośrednio z zamrażarki, ich niska temperatura może spowodować silne odmrożenia.
- Urządzenie należy utylizować wyłącznie w autoryzowanym zakładzie utylizacji odpadów.
- Aby uniknąć zanieczyszczenia żywności, postępuj zgodnie z poniższymi instrukcjami:
  - Otwieranie drzwi na dłuższy czas może spowodować znaczny wzrost temperatury w komorach urządzenia.
  - Regularnie czyść powierzchnie, które mogą mieć kontakt z żywnością i dostępne systemy odwadniające.
  - Przechowuj surowe mięso i ryby w odpowiednich pojemnikach w lodówce, aby nie stykały się z innymi produktami lub nie kapały na inne produkty spożywcze.
  - Dwugwiazdkowe przegródki na mrożonki nadają się do przechowywania wstępnie zamrożonej żywności, lodów i robienia kostek lodu.
  - Komory z jedną, dwiema i trzema gwiazdkami nie nadają się do zamrażania świeżej żywności.



## LISTA CZĘŚCI

1. Panel sterowania
2. Szklane półki
3. Szuflada na warzywa
4. Szuflady zamrażarki
5. Stojaki na drzwi



## OBIEKT

- Wyjmij produkt z opakowania i usuń taśmę samoprzylepną chroniącą drzwi i sprzęt.

**Notatka.** Resztki kleju można usunąć łagodnym środkiem myjącym.

**Zastrzeżenie.** Lodówkę należy przechowywać z dala od wysokich temperatur, światła słonecznego lub wilgotnych warunków.

- Upewnij się, że lodówka jest wypoziomowana w pozycji pionowej przez 2 godziny przed podłączeniem urządzenia do źródła zasilania, zmniejszy to możliwość nieprawidłowego działania układu chłodzenia.
- Nie przechylaj lodówki o więcej niż 45° w pionie podczas jej przenoszenia.
- Nie należy wywierać siły na żadną część, taką jak skraplacz, drzwi i uchwyt, aby zapobiec deformacji lodówki, ponieważ może to wpłynąć na jej działanie.
- Lodówkę należy ustawić na płaskiej, twardej i stabilnej powierzchni. Jeśli trzeba go podnieść, użyj stabilnej i solidnej podkładki. Nigdy nie używaj pianki opakowaniowej jako podkładki do podnoszenia lodówki.
- Upewnij się, że urządzenie jest ustawione poziomo, przykręcając 2 przednie regulowane nóżki.
- Nie umieszczaj lodówki w miejscu narażonym na wilgoć lub przyskającą wodę.

**Notatka.** Rozpryski wody lub brud na lodówce należy usuwać na czas miękką szmatką, aby zapobiec rdzewieniu i pogorszeniu izolacyjności elektrycznej.

- Nie umieszczaj lodówki w środowisku poniżej 5°C lub użyj go w deszczu.
- Lodówkę należy przechowywać z dala od źródła ciepła i chronić przed światłem słonecznym, aby uniknąć wpływu na normalne działanie lodówki.
- Urządzenie jest zasilane tylko jednofazowym prądem przemiennym 220~240V/50Hz. Urządzenie korzysta z uziemionej wtyczki ściennej zgodnie z aktualnymi zaleceniami.
- Jeśli przewód zasilający jest uszkodzony, nie wymieniaj go i skontaktuj się z pomocą techniczną.

- Wtyczka musi być łatwo dostępna, ale poza zasięgiem dzieci. Jeśli nie masz pewności, skontaktuj się z instalatorem.
- Lodówka przeznaczona jest do montażu wolnostojącego.
- Aby zapewnić swobodne otwieranie drzwi i odpowiednią wentylację ze wszystkich stron, należy zachować minimalną odległość między bokami urządzenia a ścianą wynoszącą 30 cm od góry i 5 cm po bokach. Przestrzeń nigdy nie powinna być mniejsza, w przeciwnym razie może to negatywnie wpłynąć na normalne działanie lodówki.
- Wyczyść lodówkę ściereczką, ale nie podłączaj jej później.
- Pozostaw lodówkę nieruchomo przez ponad 2 godziny, a następnie podłącz ją do gniazdka elektrycznego, aby zapewnić normalne działanie lodówki. Po włączeniu zasilania lodówka zacznie działać. Upewnij się, że drzwi są prawidłowo zamknięte.
- Po 2-3 godzinach dostosuj temperaturę, a następnie napełnij jedzenie zgodnie z instrukcją. To normalne, że sprężarka pracuje dłużej podczas początkowego zatykania, a następnie pracuje z przerwami.
- Nie wyłączaj zasilania lodówki, chyba że jest to konieczne. Przerwa może spowodować wzrost temperatury wewnątrz lodówki.

## PANEL STEROWANIA



### USTAWIENIE TEMPERATURY

Naciśnij przycisk „Lodówka/Zamrażarka”, aby dostosować ustawienie temperatury. Po każdym naciśnięciu temperatura wzrośnie lub spadnie o 1°C.

- Zakres temperatur lodówki: 2~8°C
- Zakres temperatur zamrażarki: -16°C~-24°C

### TRYBY

Naciśnij przycisk tryb, aby wybrać żądany tryb.

Podczas zmiany trybu ikona mignie 5 razy, następnie światło będzie świecić stałym światłem i tryb zostanie wybrany.

- Szybkie chłodzenie

W tym trybie komora lodówki będzie utrzymywana w temperaturze 2°C przez 12 godzin. Jeśli ręcznie zmienisz ustawienie temperatury, a ikona „Szybkie chłodzenie” zgaśnie. Temperatura komory zamrażarki nie wpływa na tę funkcję.

- Szybkie zamrażanie

W tym trybie zamrażarka będzie utrzymywana w temperaturze -24°C przez 24 godziny. Jeśli ręcznie zmienisz temperaturę, zamrażarka przestanie działać w tym trybie. Jakakolwiek zmiana temperatury w komorze chłodziarki nie wpłynie na funkcję „Szybkie zamrażanie”.

- Optymalny

W tym trybie temperatura lodówki będzie wynosić 5°C, a zamrażarki -18°C. Każda zmiana temperatury spowoduje automatyczne wyłączenie trybu „Najlepsza” i wykonanie nowych instrukcji konfiguracji.

Lodówka została wyposażona w funkcję automatycznego rozmrażania (no-frost). Woda z rozmrażania spłynie do miski na wodę i wyparuje.

- Wnętrze lodówki należy co roku dokładnie czyścić. Zawsze pamiętaj o odłączeniu wtyczki przed wyczyszczeniem wtyczki z gniazdka i opróżnieniem lodówki.
- Czyścić wilgotną szmatką lub gąbką zwilżoną wodą lub łagodnym detergentem. Do czyszczenia lodówki nigdy nie używaj rozpuszczalników, przegotowanej wody, detergentu w proszku, kwasu lub tym podobnych.
- W wilgotnym środowisku lub deszczowej pogodzie powierzchnia lodówki może zrosić, zwłaszcza na zewnętrznej powierzchni drzwi. Jest to spowodowane kontaktem z wilgocią w powietrzu. W takim przypadku powierzchnię można osuszyć suchą szmatką.
- Aby zapewnić normalne działanie lodówki przez długi czas, użytkownik powinien regularnie sprawdzać lodówkę. W przypadku stwierdzenia jakichkolwiek nieprawidłowości skontaktuj się z serwisem technicznym.
- Podczas czyszczenia nie należy używać wody do płukania komory kompresora lodówki.
- Po wyczyszczeniu lodówki osusz ją suchą szmatką, aby zapobiec rdzewieniu.
- Zachowaj szczególną ostrożność przy uszczelce drzwi, ponieważ kropla cieczy może ją uszkodzić. Upewnij się, że jest czysty i suchy.

### **Wymij i odłóż na półkę**

- Przytrzymaj tylną część wyżej, aby wysunąć półkę, a następnie wsuń ją do oporu, aby jej wspornik zmieścił się w otworze prowadzącym.

### **Wymij i włóż do szuflady**

- Podnieś przednią część i wyciągnij ją, a następnie przesuń do oporu, aż się zatrzyma.

### **Wymij i włóż do szafki na drzwiach**

- Podnieś półkę na drzwiach, wymij ją i ustaw od góry w żądanej pozycji.

### **Po oczyszczeniu sprawdź, czy:**

- Nie ma uszkodzeń przewodu zasilającego.
- Jeśli wtyczkę można podłączyć bez problemów.
- Jeśli we wtyczce jest jakieś nadmierne ciepło.
- Jeśli wystąpi którakolwiek z powyższych sytuacji, odłącz lodówkę i skontaktuj się z pomocą techniczną.

---

## MAGAZYN ŻYWNOSCI

---

1. Przed przechowywaniem żywności w lodówce upewnij się, że żywność, zwłaszcza żywność z wodą, jest sucha i nie przecieka.
2. Gorącą lub ciepłą żywność należy po schłodzeniu umieścić w lodówce, aby zaoszczędzić energię.
3. Każdą półkę można wyjąć, aby uzyskać łatwy dostęp do butelek.
4. Pozostaw odpowiednią przestrzeń między potrawami, aby zapewnić lepszą wentylację powietrza w lodówce.
5. W celu uzyskania najlepszych rezultatów zaleca się przechowywanie żywności w kawałkach.
6. Przechowuj owoce i warzywa po umyciu w odpowiednim opakowaniu lub w odpowiednio zamkniętych pojemnikach, aby uniknąć nieoczekiwanych zapachów.
7. Przechowuj owoce i warzywa w pojemniku na świeże warzywa, aby pozostały świeże.
8. Trzymaj świeże, gorące potrawy w temperaturze pokojowej z dala od produktów, które zostały już zamrożone.

Czas przechowywania produktów mrożonych zależy od ich jakości przed zamrożeniem w stanie świeżym oraz od temperatury przechowywania.

Zalecane są następujące okresy przechowywania, gdy temperatura wynosi  $-18^{\circ}\text{C}$  lub niższy:

PRODUKTY	MIESIĄCE
Mięso	6-8
Cielęcina	3-6
Podroby	1-2
Wieprzowina	3-6
Drób	6-8
Ryba	3-6

Szuflada lodówki jest przeznaczona na wszystkie delikatne i łatwo psujące się produkty spożywcze, na przykład:

- Warzywa i inne pakowane świeże produkty spożywcze z etykietą wskazującą, że należy je przechowywać w temperaturze około  $4^{\circ}\text{C}$ .
- Świeże ciasto, mieszanki ciast, ...
- Naczynia lub wyroby piekarnicze zawierające jajka lub śmietaną.
- Kiełbasy i dania gotowe.
- Masło i ser.

Nie wszystkie produkty spożywcze nadają się do przechowywania w lodówce. Upewnij się, że przechowujesz produkty prawidłowo.

## ROZWIĄZANIE PROBLEMU

KWESTIA	PRZYCZYNA	ROZWIĄZANIE
Lodówka nie działa.	Zasilanie nie jest podłączone.	Włącz zasilanie.
	Lodówka zamraża się automatycznie.	To normalne zjawisko.
	Sprężarka jest wyposażona w tryb ochrony.	Interwał pracy sprężarki wynosi 5 minut
	Płyta komputera jest uszkodzona.	Powiadomić producenta o naprawie.
hałas jest za głośny	Lodówka nie jest wypoziomowana.	Wypoziomuj lodówkę, jeśli nie jest wypoziomowana.
	Lodówka dotyka mebli i/lub innych przedmiotów.	Umieść urządzenie w miejscu zapewniającym odpowiednią przestrzeń wokół niego.
	Wentylator nie jest dobrze zamocowany.	Powiadomić producenta o naprawie.
Oświetlenie lodówki nie świeci	Lampa oświetlenia jest uszkodzona.	Powiadom producenta o wymianie lampy.
	Sprawdź, czy zasilanie jest włączone.	Sprawdź zasilanie.

KWESTIA	PRZYCZYNA	ROZWIĄZANIE
Na zewnątrz lodówki jest wilgoć	Drzwi są otwierane zbyt często lub są otwarte zbyt długo.	Nie otwieraj i nie zamykaj drzwi tak często lub staraj się nie trzymać drzwi otwartych przez długi czas.
	Środowisko zewnętrzne jest bardzo mokro.	Wysuszyć lodówkę suchym papierem.
	Temperatura lodówki jest zbyt niska.	Ustaw odpowiednią temperaturę.
Kompresor pracuje przez długi czas	Jeśli temperatura latem będzie zbyt wysoka, kompresor będzie pracował przez długi czas. To normalne. Jeśli lodówka nie ostygnie wystarczająco, sprawdź następujące elementy: <ul style="list-style-type: none"> <li>• Jeśli drzwi lodówki nie są dobrze uszczelnione lub są otwierane zbyt często, dobrze je zamknij i otwieraj rzadziej.</li> <li>• Nie wkładaj do lodówki zbyt wielu napojów i zachowaj pewien odstęp między potrawami.</li> <li>• Jeśli temperatura wewnątrz lodówki jest zbyt niska, sprawdź ustawienie temperatury i ustaw temperaturę na wyższy poziom.</li> </ul>	
Żywność zamarza w komorze lodówki	<ul style="list-style-type: none"> <li>• Sprawdź, czy żywność nie jest umieszczona zbyt blisko czujnika.</li> <li>• Sprawdź, czy żywność nie jest umieszczona zbyt blisko wylotu powietrza.</li> </ul>	
Zbyt niskie chłodzenie	<ul style="list-style-type: none"> <li>• Sprawdź, czy lodówka nie jest wystawiona na działanie promieni słonecznych lub źródeł ciepła znajdujących się w jej bezpośrednim sąsiedztwie.</li> <li>• Regulacja temperatury nie jest ustawiona prawidłowo.</li> <li>• Ostatnio przechowywano dużą ilość ciepłej lub gorącej żywności. Poczekaj, aż lodówka osiągnie wybraną temperaturę.</li> <li>• Napoje w lodówce są zatłoczone, co uniemożliwia prawidłową cyrkulację świeżego powietrza.</li> <li>• Drzwi lodówki otwierają się zbyt często lub nie zamykają się prawidłowo.</li> </ul>	
W lodówce brzydki zapach	<ul style="list-style-type: none"> <li>• Nowa lodówka może wydzielać zapach środka pianiącego lub plastiku. To normalne, zapach zniknie wraz z upływem czasu.</li> <li>• Sprawdź, czy w lodówce nie ma zepsutych potraw lub napojów.</li> <li>• Każdy napój o zapachu powinien być szczelnie zamknięty w plastikowej torebce.</li> <li>• Okresowo czyść lodówkę.</li> </ul>	
Lodówka wydaje dźwięk przypominający płynący płyn	Dźwięk ten jest generowany przez przepływ czynnika chłodniczego w obiegu rur układu chłodniczego. To normalne. Nie jest wymagane dalsze leczenie.	
Lodówka wydaje nienormalny dźwięk	<ul style="list-style-type: none"> <li>• Jest to dźwięk generowany podczas uruchamiania lub zatrzymywania lodówki.</li> <li>• Dzieje się tak w przypadku zmian temperatury wewnątrz lodówki lub podczas uruchamiania lub zatrzymywania lodówki.</li> <li>• Odgłosy bulgotania lub bulgotania (jak gotująca się woda). Jest to normalny dźwięk czynnika chłodniczego krążącego w systemie.</li> </ul>	



Zgodnie z dyrektywami: 2012/19 / UE i 2015/863 / UE w sprawie ograniczenia stosowania niebezpiecznych substancji w sprzęcie elektrycznym i elektronicznym, a także ich usuwania. Symbol z przekreślonym pojemnikiem na śmieci pokazany na opakowaniu oznacza, że produkt pod koniec okresu użytkowania będzie zbierany jako osobny odpad. Dlatego każdy produkt, który osiągnął koniec okresu użytkowania, musi zostać dostarczony do wyspecjalizowanych centrów usuwania odpadów w celu selektywnej zbiórki zużytego sprzętu elektrycznego i elektronicznego lub zwrócony do sprzedawcy przy zakupie podobnego nowego sprzętu, w jednym dla jednej bazy. Właściwa selektywna zbiórka w celu późniejszego uruchomienia sprzętu przeznaczonego do recyklingu, obróbki i utylizacji w sposób przyjazny dla środowiska pomaga zapobiegać potencjalnym negatywnym skutkom dla środowiska i zdrowia oraz optymalizuje recykling i ponowne użycie elementy składające się na urządzenie. Niewłaściwe usunięcie produktu przez użytkownika oznacza nałożenie sankcji administracyjnych zgodnie z prawem.





# CREATE