

"INSTRUCTION MANUAL"



Shiny FL Wood and Chrome
98818

Assembly Instructions
Instrucciones De Asamblea
Instructions d'Assemblée

PARTS



A



B

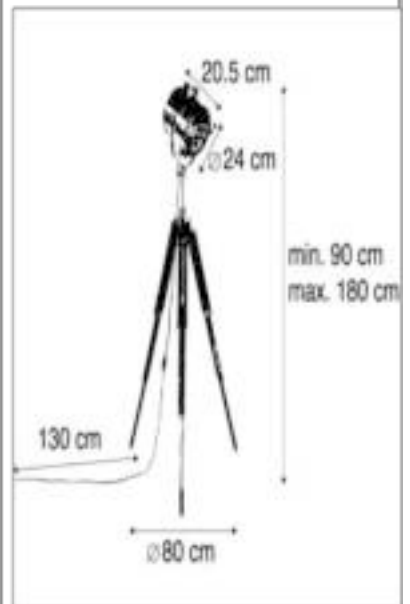
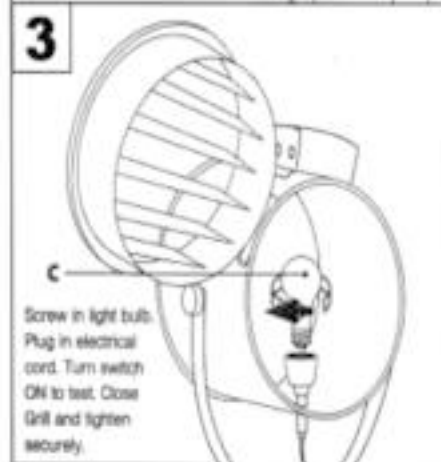
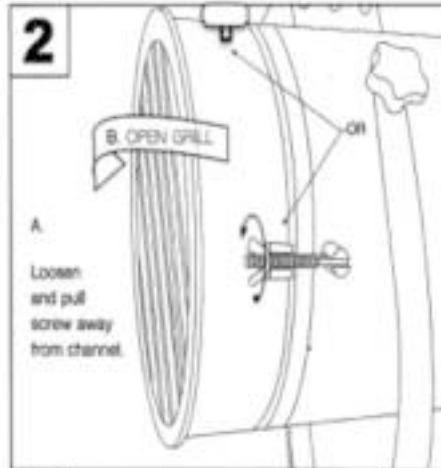
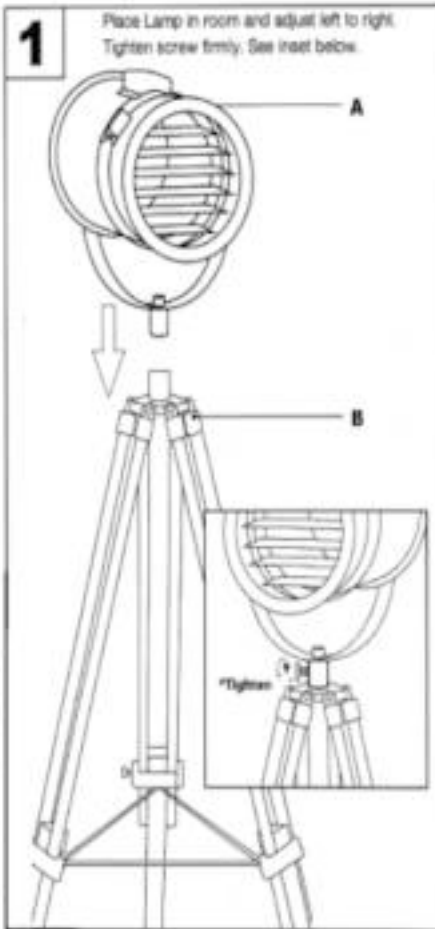


C

(Light Bulb Not included)

For indoor use only. Keep out of the reach of children and animals. Place on flat surface and away from flammable materials. Never operate this appliance if it has a damaged cord, plug or cable. Keep cord away from heated and/or damp areas

CAUTION! Only use E27 40W bulb or CFL equivalent



E27
40 W

220-240V
50-60Hz



QAZQA

WWW.QAZQA.COM

SAFETY DIRECTIONS



Please study the instruction manual and below information carefully before installing or using this product. Please keep this user manual for further reference

1. The luminaires may only be installed by authorized and qualified technicians according the valid regulations for electrical installation.
2. Maintenance of the luminaires is limited to their surfaces. During maintenance no moisture can come into contact with any areas of the terminal connections or voltage control parts.
3. The electrical supply must be switched off at the outset, preferably by means of a switch in the distribution box, before any installation, maintenance or repair work is undertaken.
4. Exterior lighting must not be installed during rain.
6. Take account of the minimal separation distance from other objects and the room required around the fitting.
7. If in any doubt, consult a professional, taking local installation requirements into account. Some countries stipulate that lighting may be installed only by registered installers.
8. Clamping screws in electrical connections must be adequately tightened. This is particularly the case with 12V low voltage conductors.
9. When replacing a halogen lamp, wait for it to cool, for a minimum of 5 minutes.
10. Clean with a clean, dry cloth or brush, use no solvents or abrasives. Avoid dampness on all electrical components
11. Take account of all available technical information.
12. Take note of the symbols when connecting wires:

N = Neutral

L = Live

⊕ = Earth

13. Meaning of symbols:



F or indoor use only, where direct contact with water is impossible



P protection class 1: the fitting must be earthed



P protection class 2: the fitting is double insulated and does not require earthing



P protection class 3: the fitting is low voltage



O bserve the indicated minimum distance between the lam and the illuminated materials/objects



O nly the self-screening halogen illuminants should be used with the luminaire



S trip the wire to the indicated length



C onnect using the specified cable



T he armature can be used in combination with a dimmer. Consult the sales outlet for the correct type o f dimmer (important in the case of 12V fittings)



S uitable for installing on normal inflammable materials



T he maximum wattage indicated in each lighting unit, for example, must not be exceed



T his luminaire cannot be disposed together with normal domestic waste in standard rubbish bin, but y ou have to bring it to a staging area for electrical waste



T his luminaire was designed to work only with the indicated voltage