
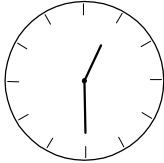

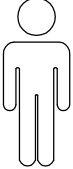
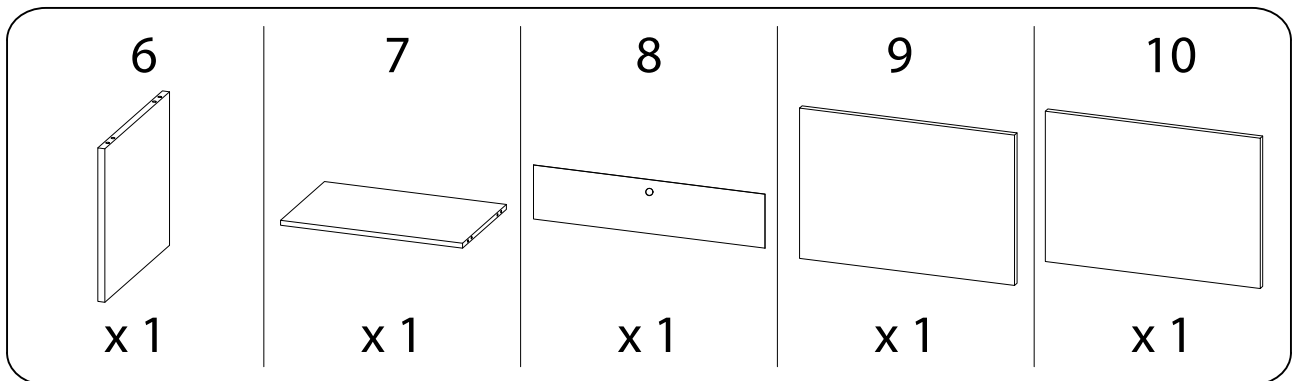
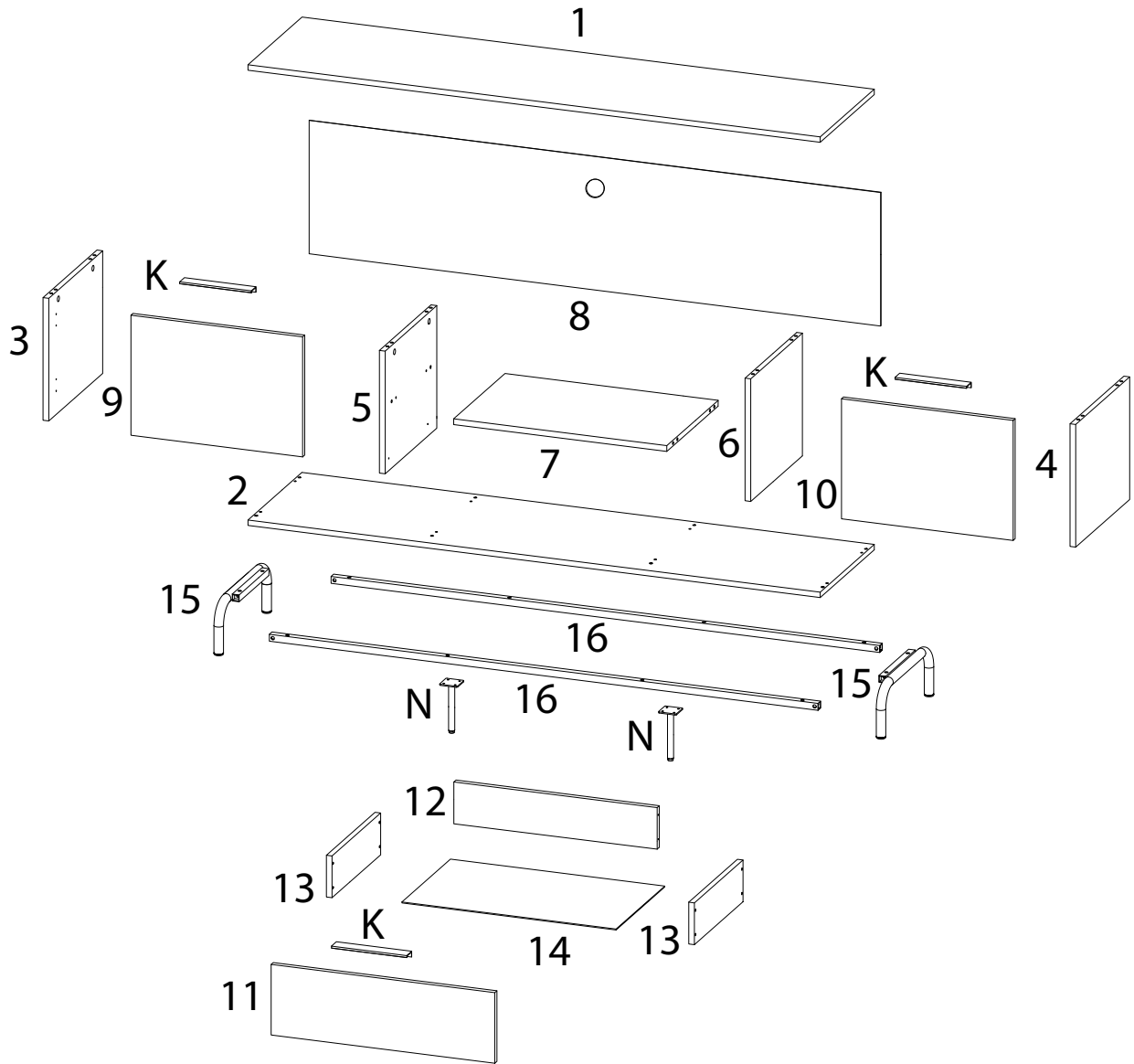
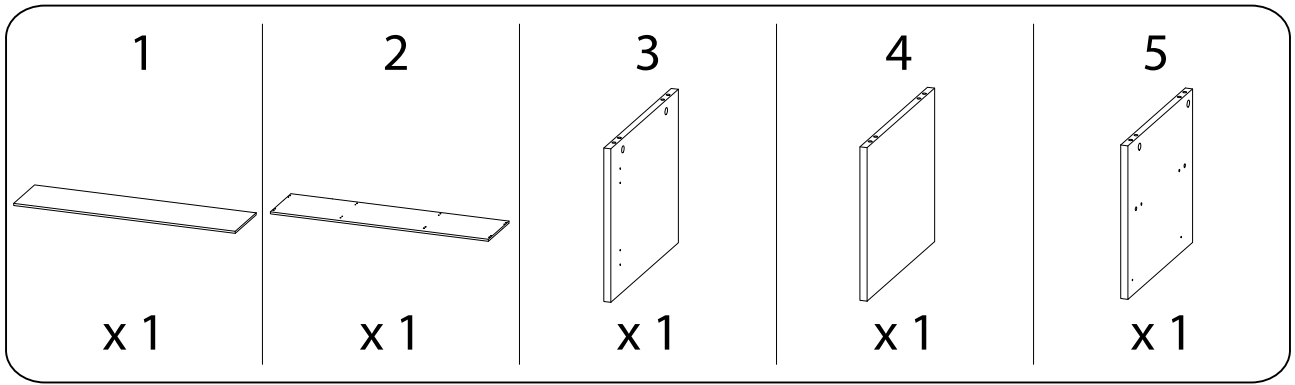


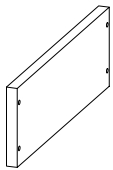

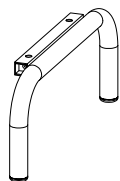


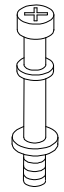
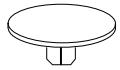
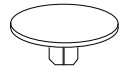
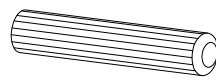
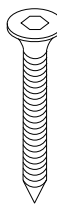
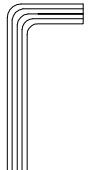

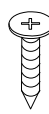
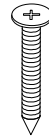
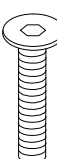
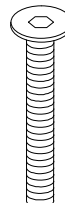


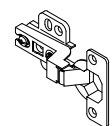
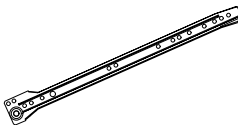
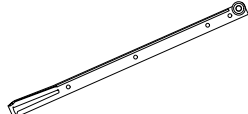
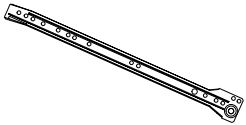
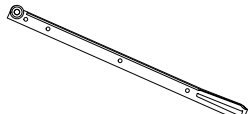
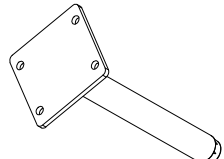


!    
90'

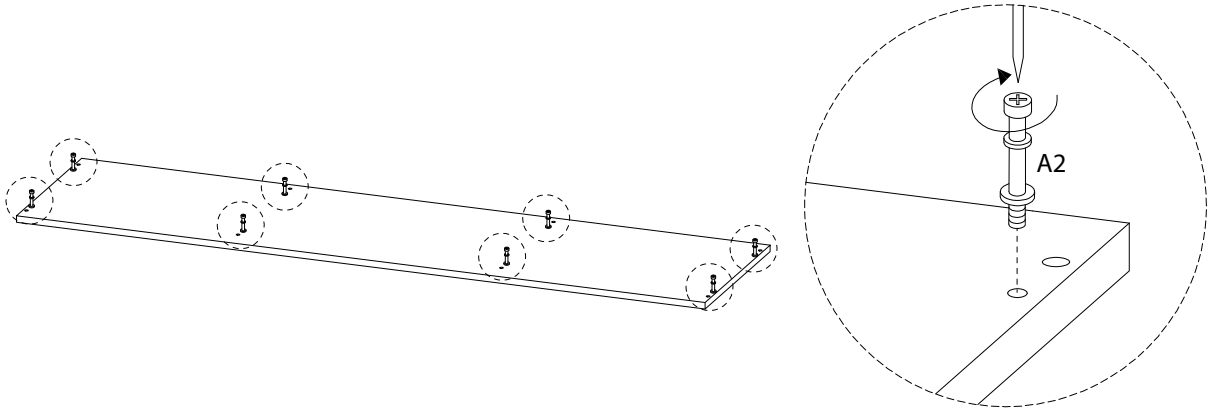
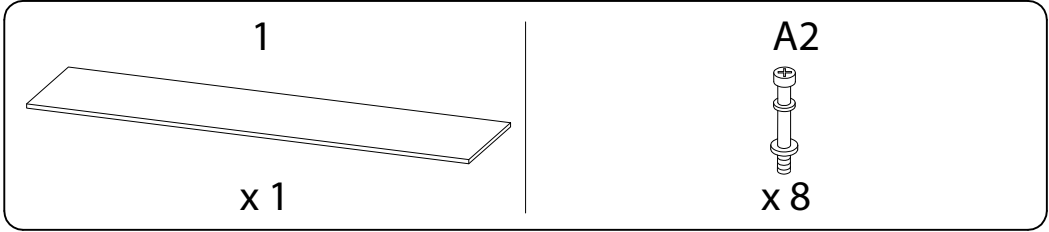
!    
1

The diagram contains two warning boxes. The top box shows a circle with a screwdriver, a hammer, and a drill bit, and a crossed-out power drill. The bottom box shows a circle with a block of wood on a saw blade, and a crossed-out block of wood being cut. To the right of the top box is a clock icon and the text '90''. To the right of the bottom box is a person icon and the number '1'.

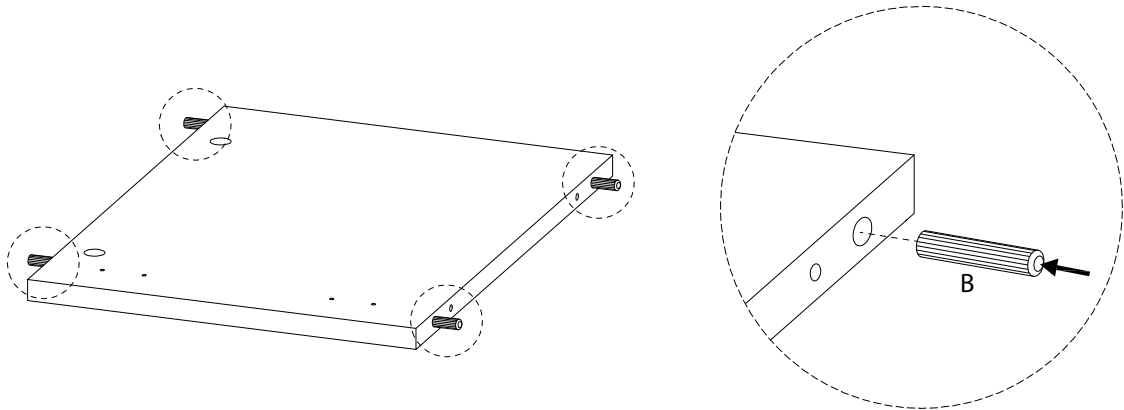
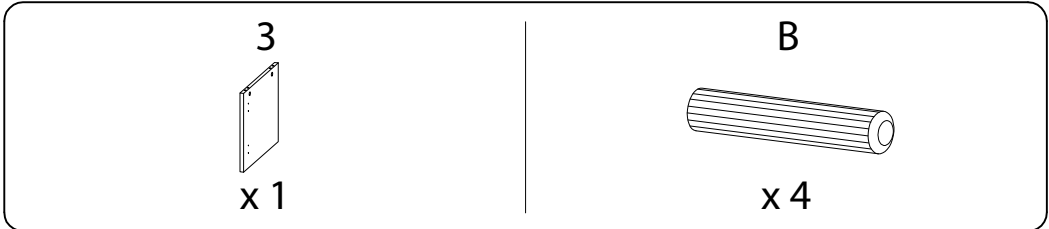


|   |  |  |  |  |  |
|---|--|--|--|--|--|
| 11<br><br>x 1                    | 12<br><br>x 1                   | 13<br><br>x 2                   | 14<br><br>x 1                      | 15<br><br>x 2                   | 16<br><br>x 2 |
| A1<br><br>x 12                   | A2<br><br>x 12                  | A3<br><br>x 8                   | A4<br><br>x 4                     | B<br><br>x 20                   |  |
| C<br><br>M6<br>x<br>50<br>x 8  | D<br><br>x 1                  | E<br><br>M3<br>x<br>12<br>x 6 | F<br><br>M3.5<br>x<br>16<br>x 44 | G<br><br>M4<br>x<br>38<br>x 8 |  |
| H<br><br>M6<br>x<br>30<br>x 12 | I<br><br>M6<br>x<br>40<br>x 4 | J<br><br>x 38                 | K<br><br>x 3                     | L<br><br>x 4                  |  |
| M1<br><br>x 1                  | M2<br><br>x 1                 | M3<br><br>x 1                 | M4<br><br>x 1                    | N<br><br>x 2                  |  |

1



2



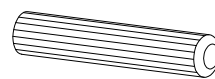
3

4

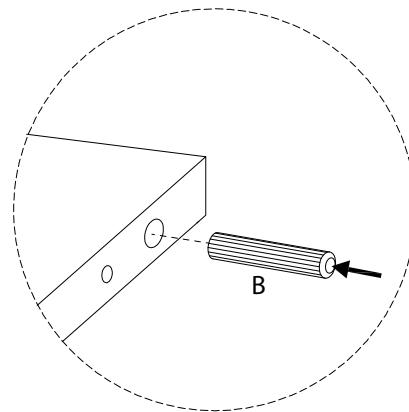
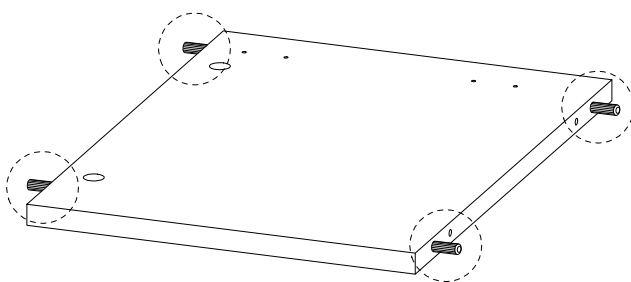


x 1

B



x 4



4

5



x 1

A2

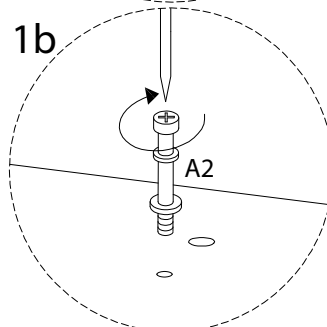
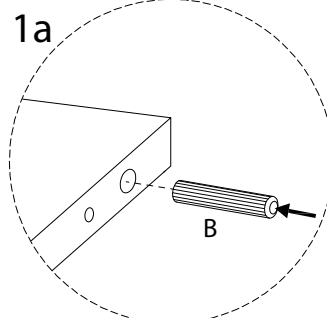
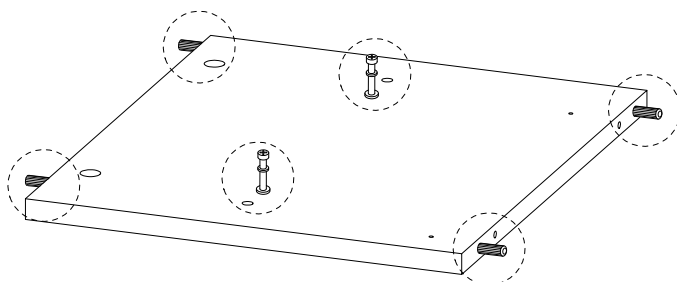


x 2

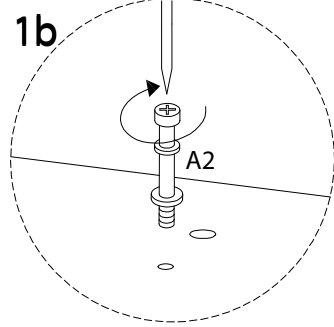
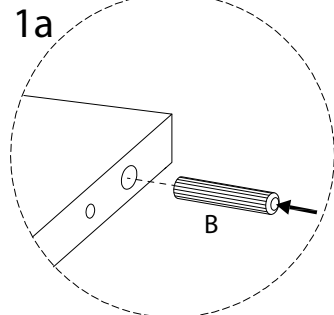
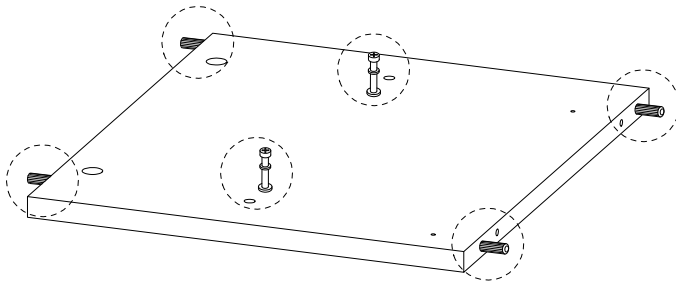
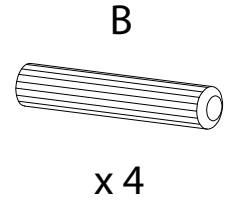
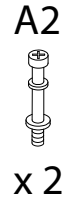
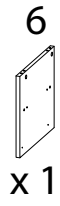
B



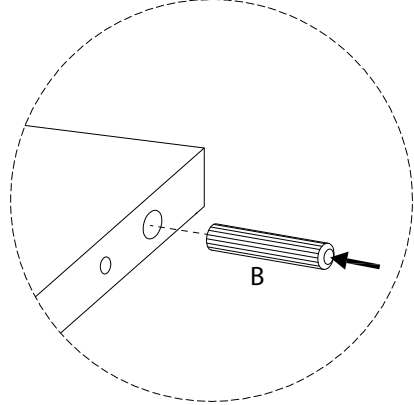
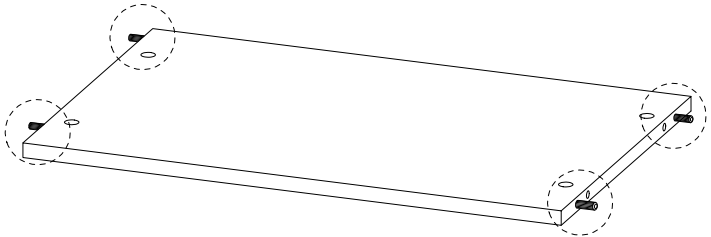
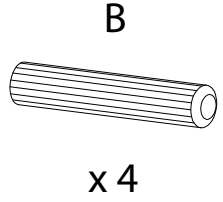
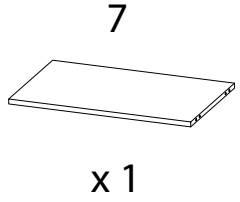
x 4



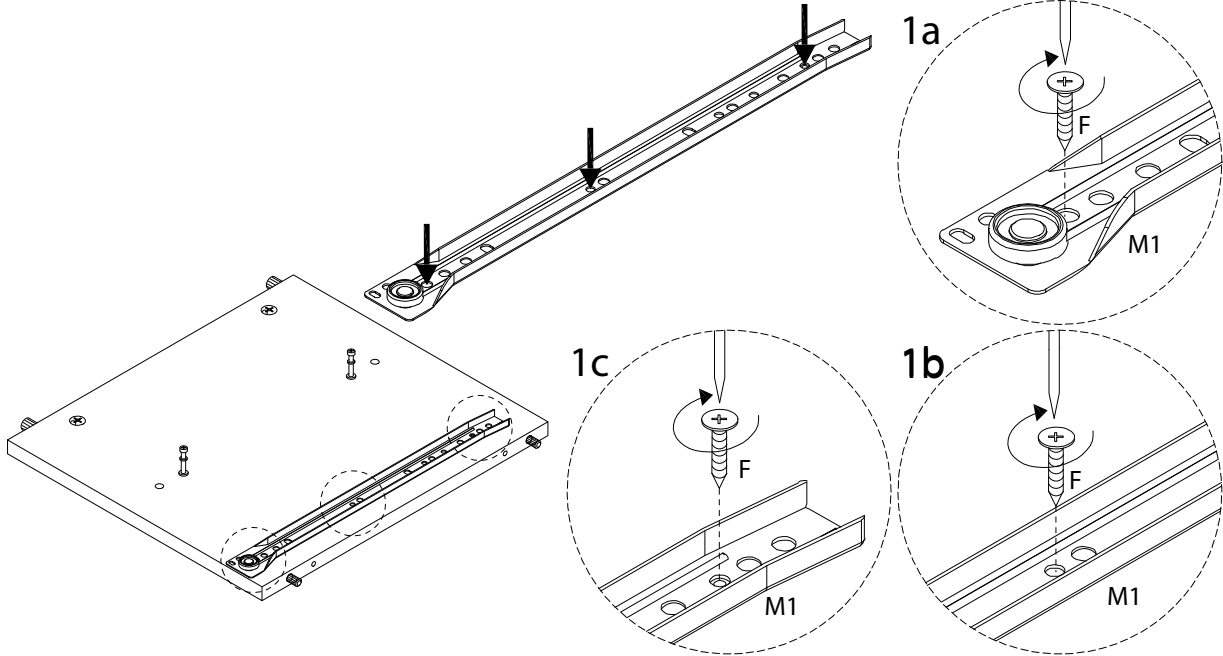
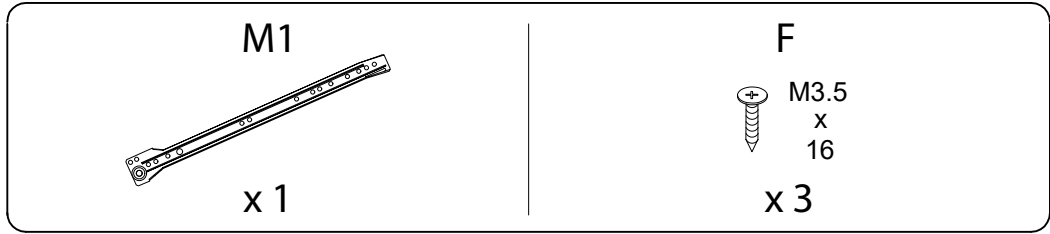
5



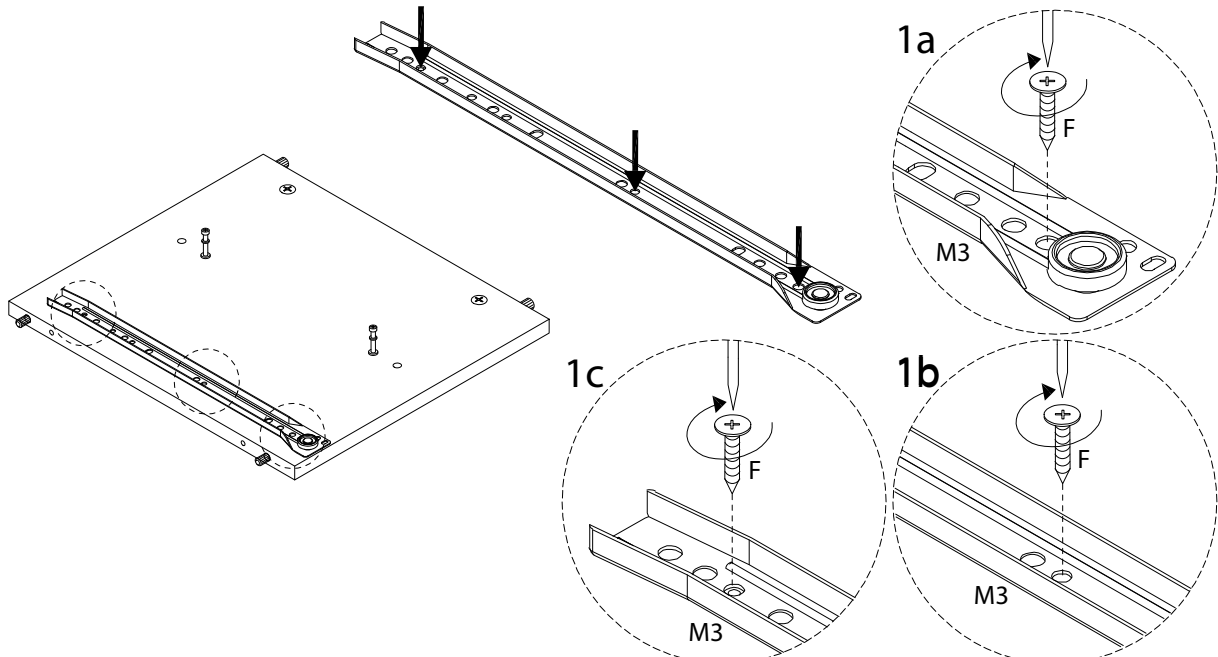
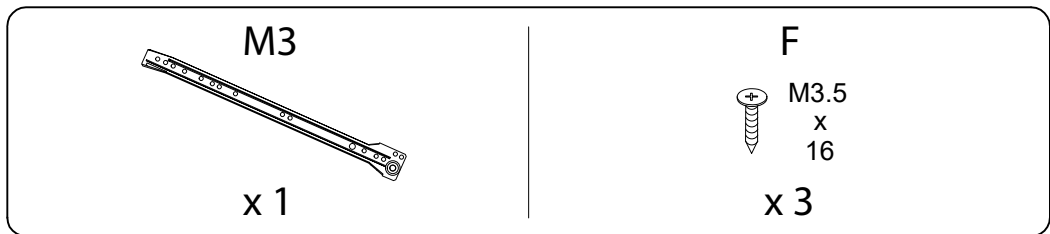
6



7



8



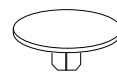
9

A1

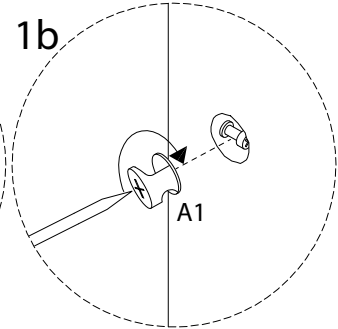
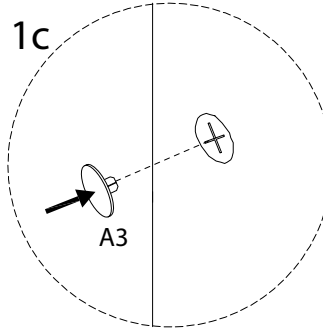
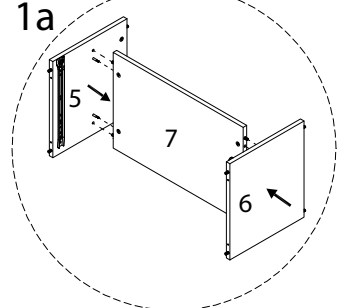
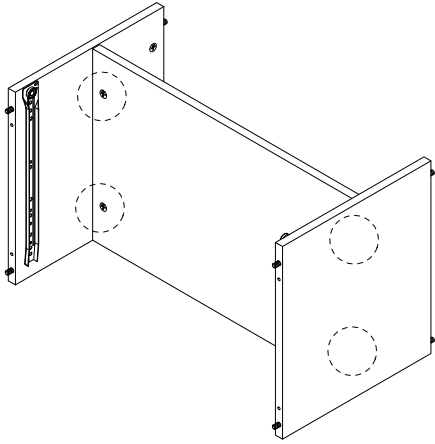


x 4

A3



x 4



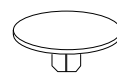
10

A1

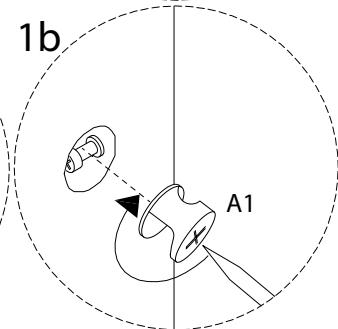
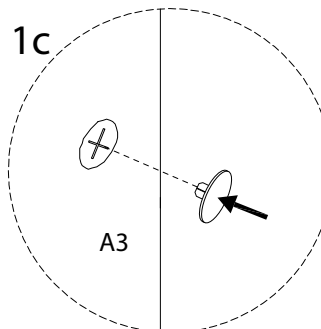
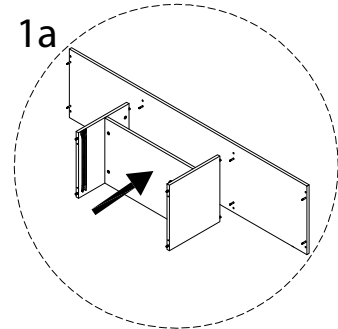
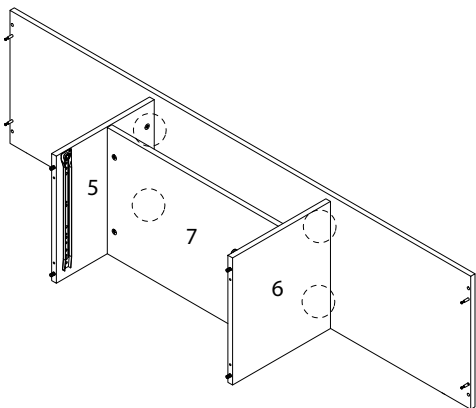


x 4

A3



x 4





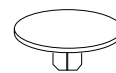
11

A1

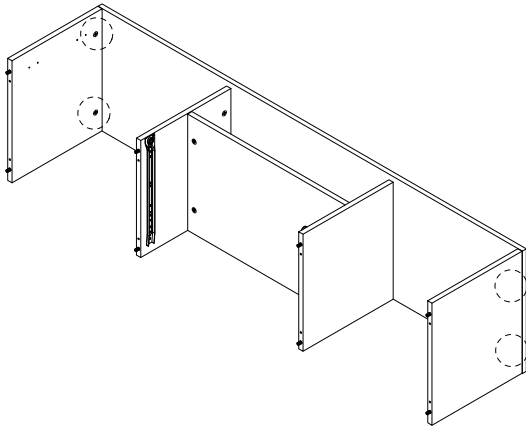


x 4

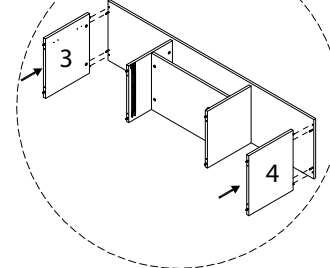
A4



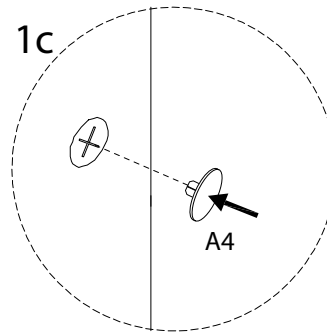
x 4



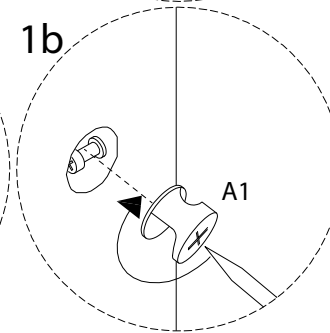
1a



1c



1b



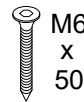
12

2



x 1

C

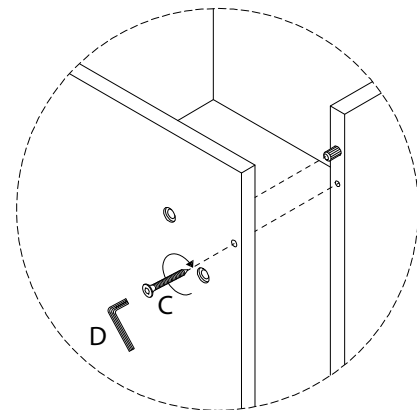
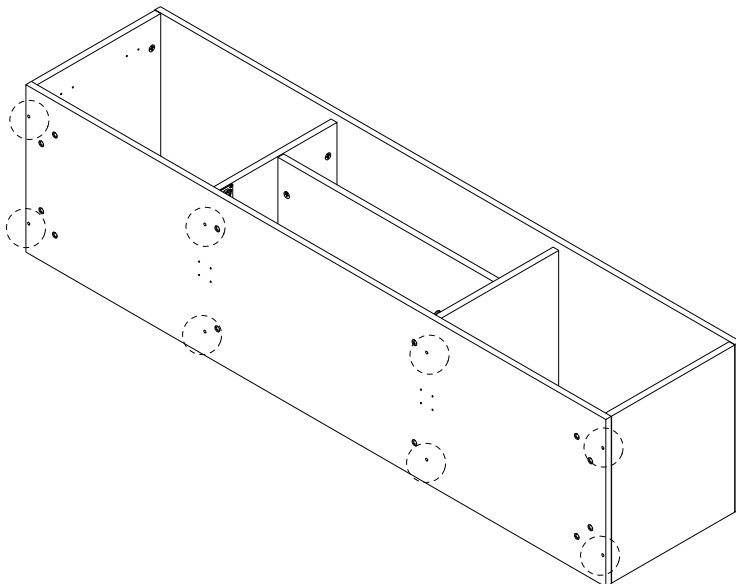


x 8

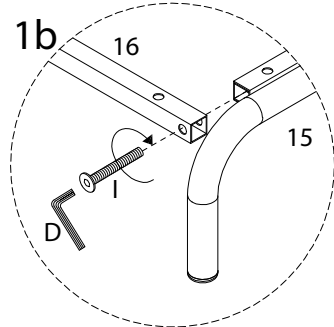
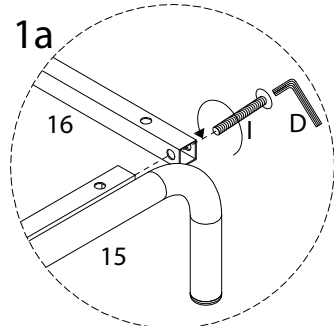
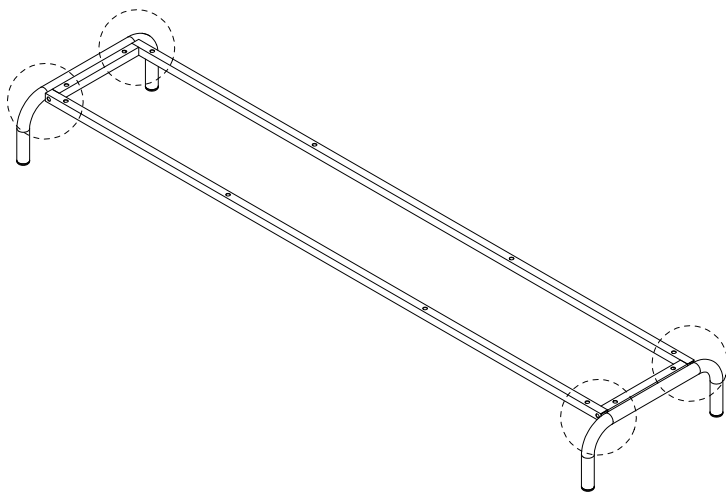
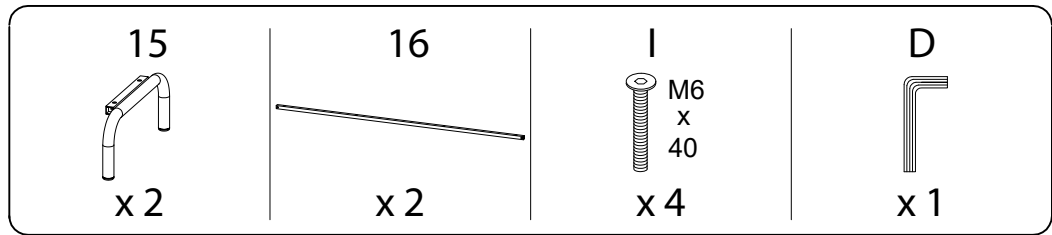
D



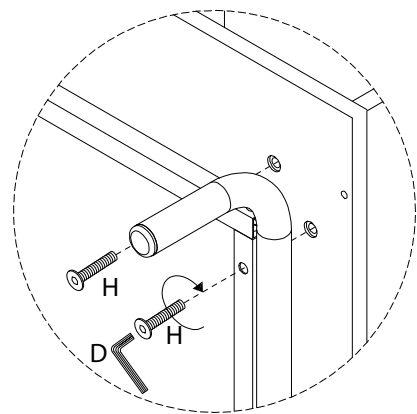
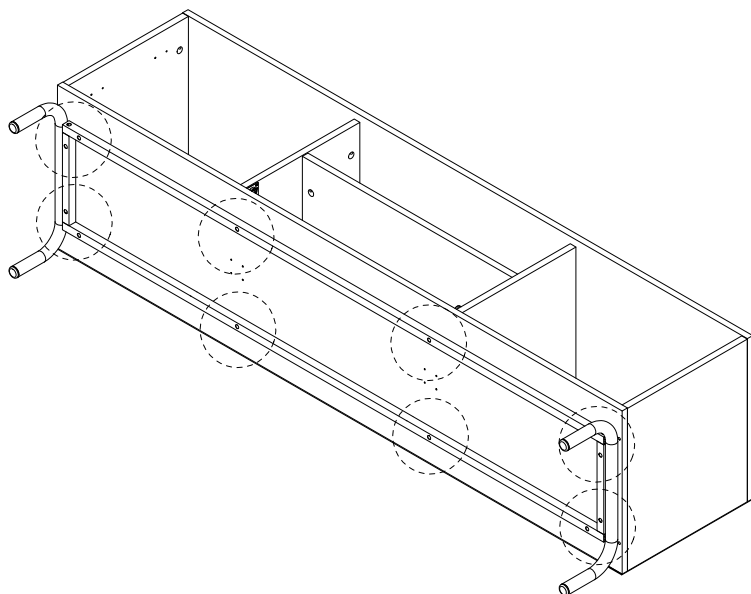
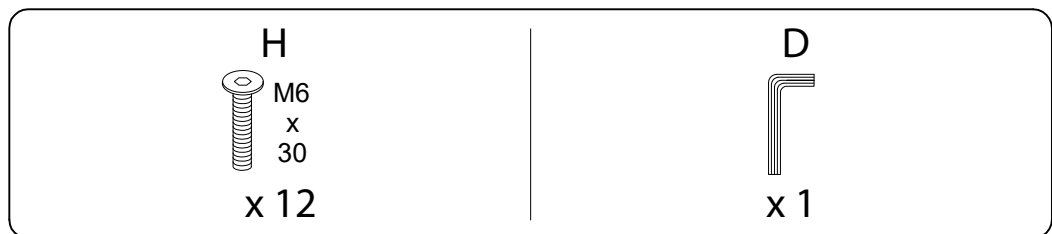
x 1



13

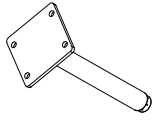


14



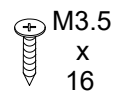
15

N

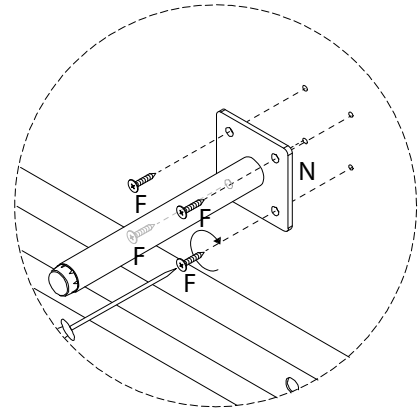
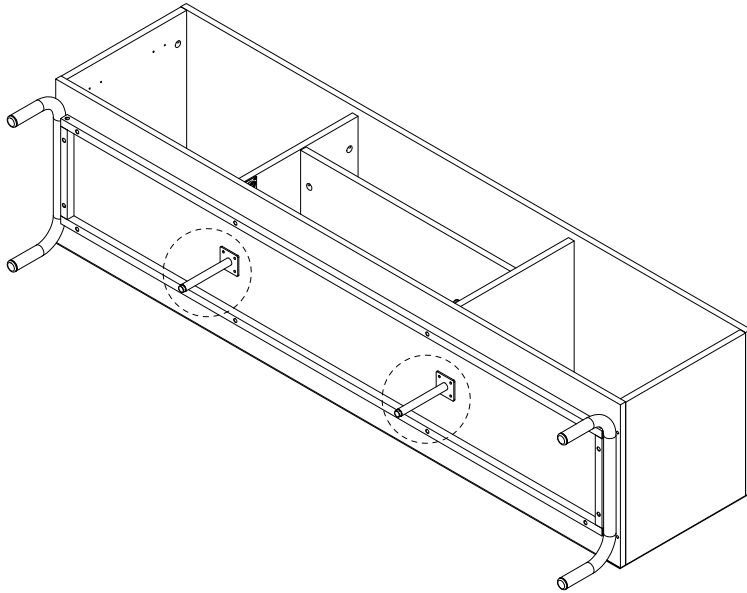


x 2

F

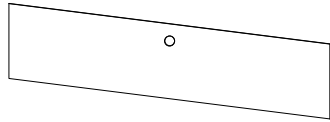


x 8



16

8

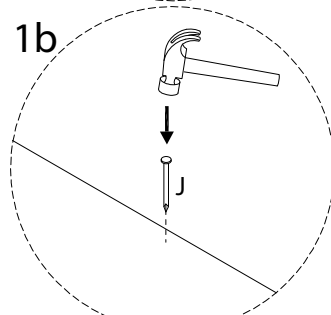
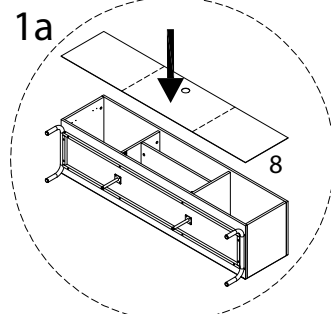
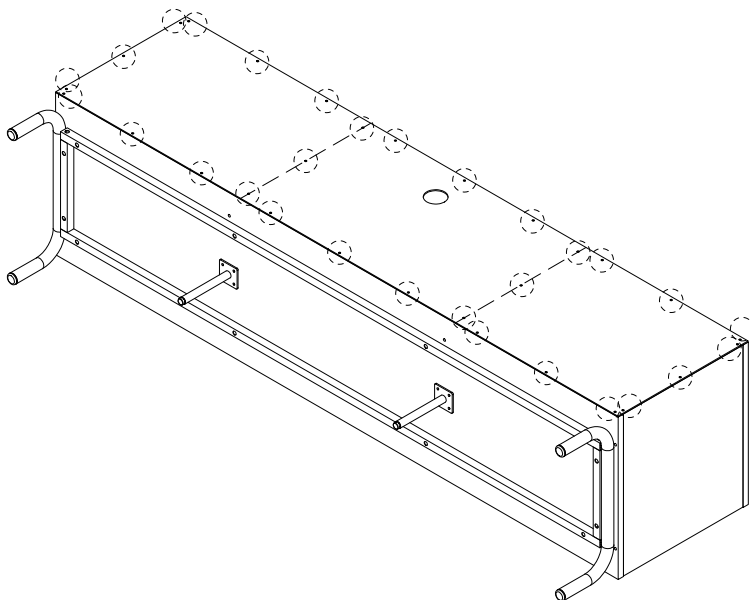


x 1

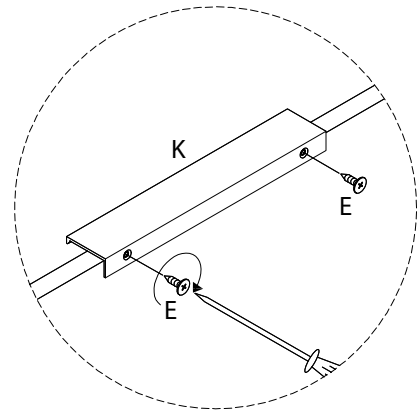
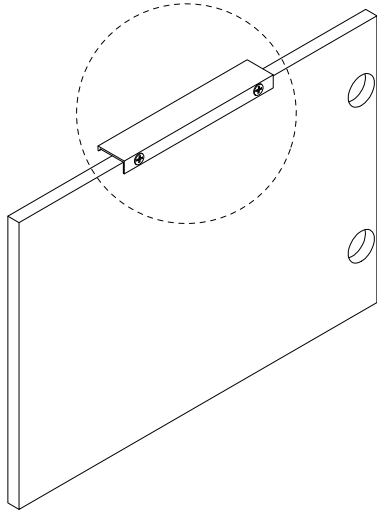
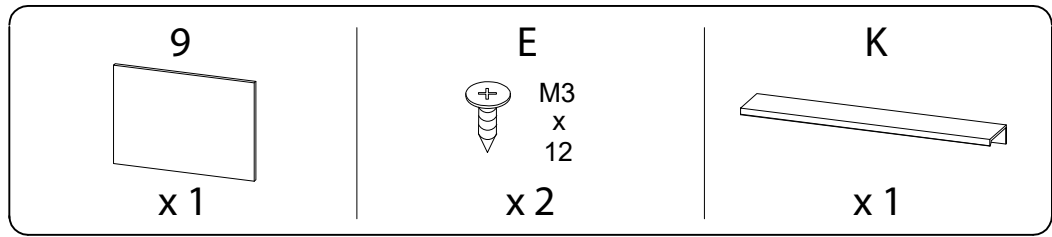
J



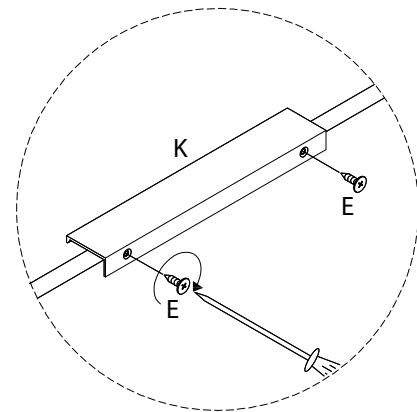
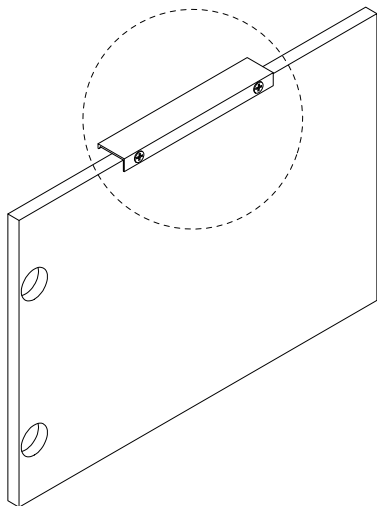
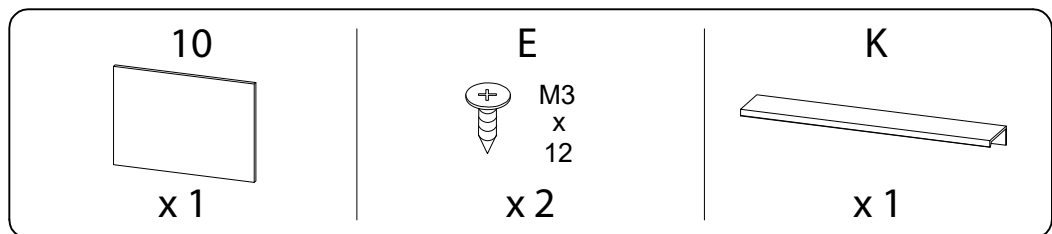
x 30



17



18



19

11



x1

E



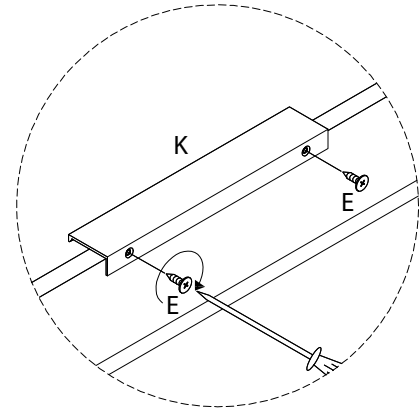
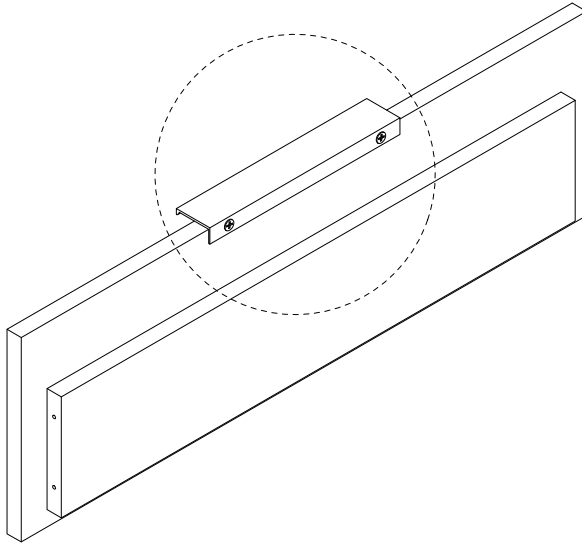
M3  
x  
12

x2

K

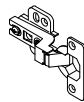


x1



20

L



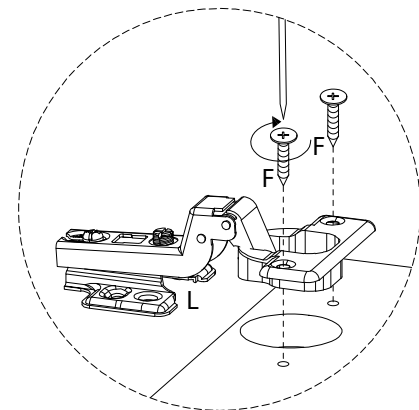
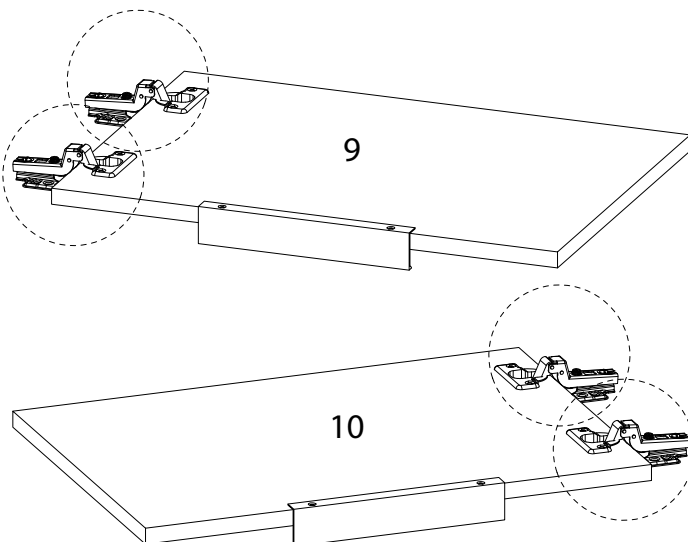
x4

F



M3.5  
x  
16

x8

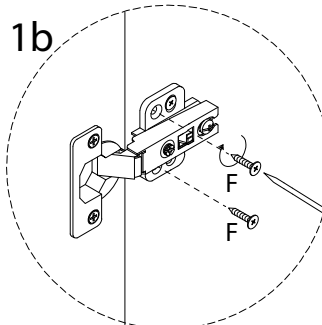
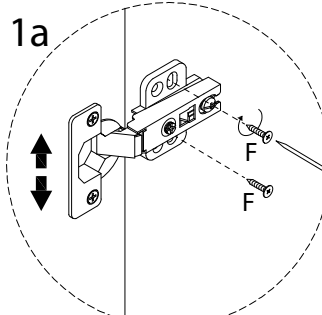
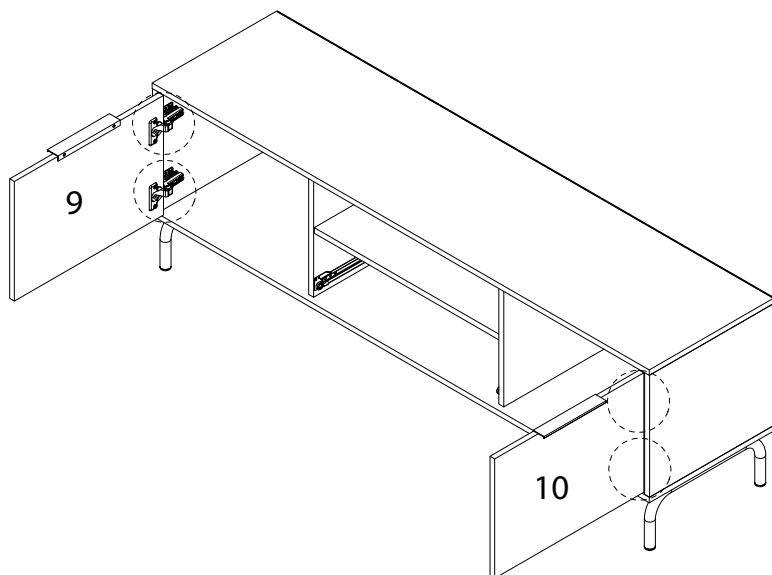


21

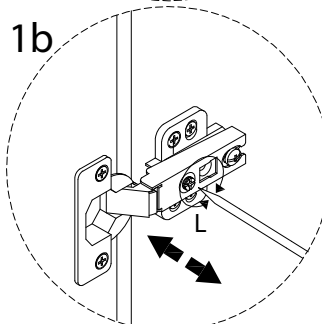
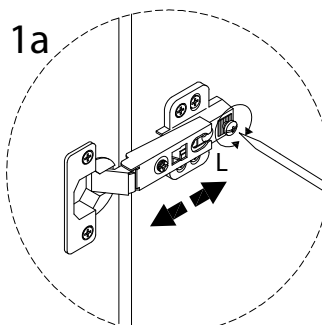
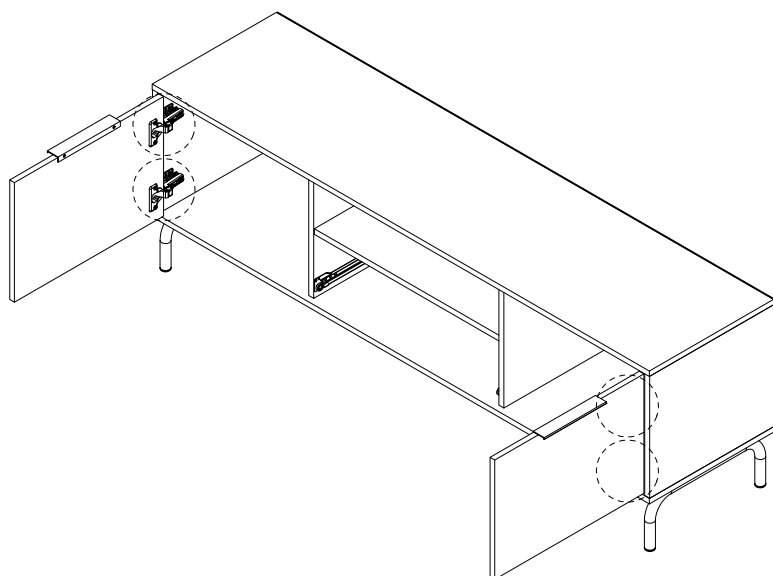
F

M3.5  
x  
16

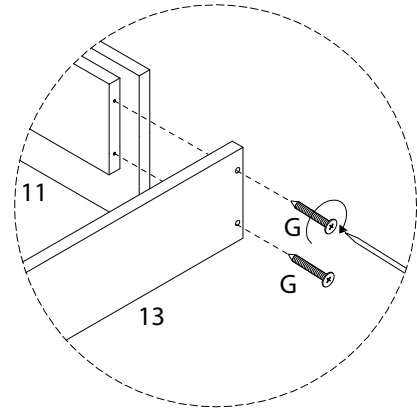
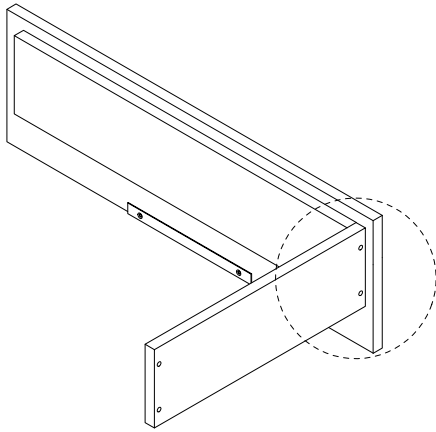
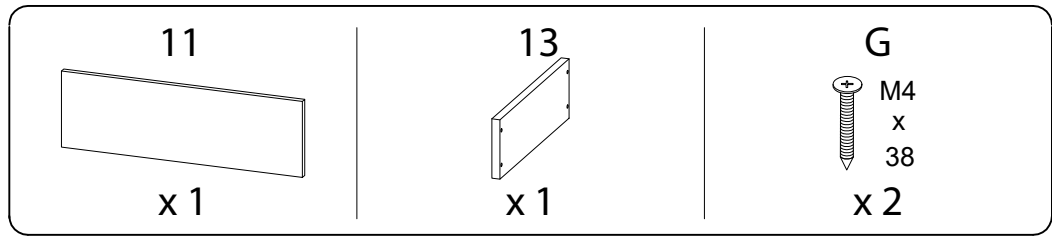
x 16



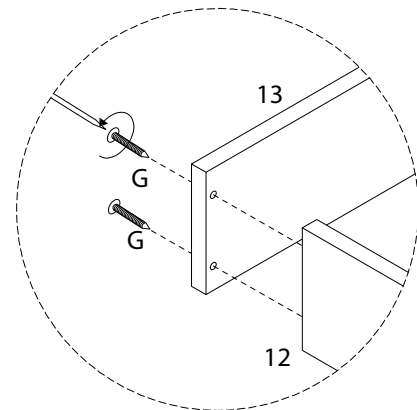
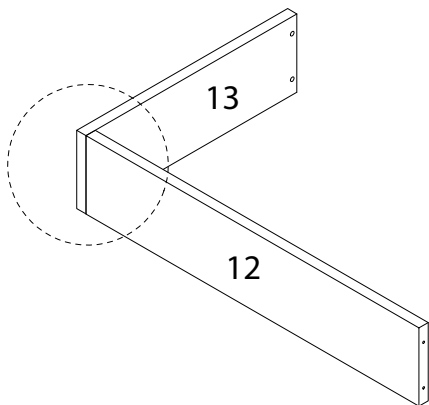
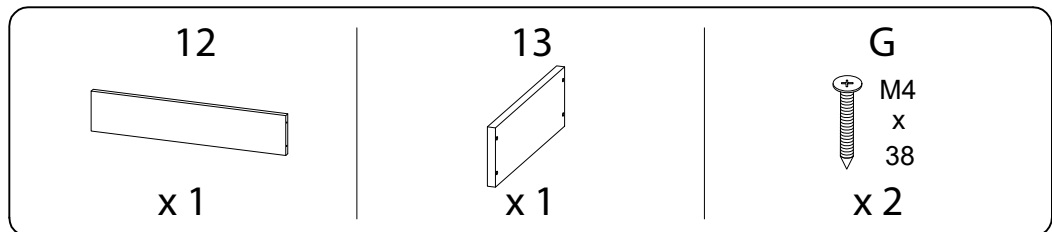
22



23

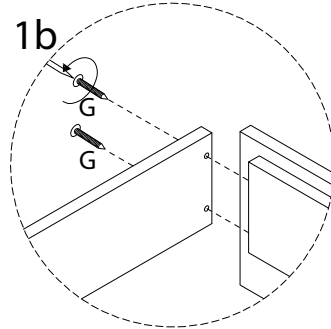
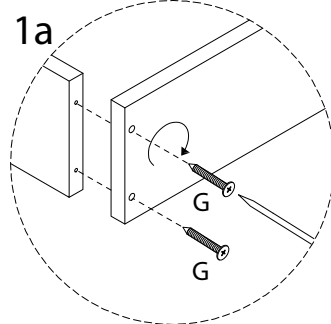
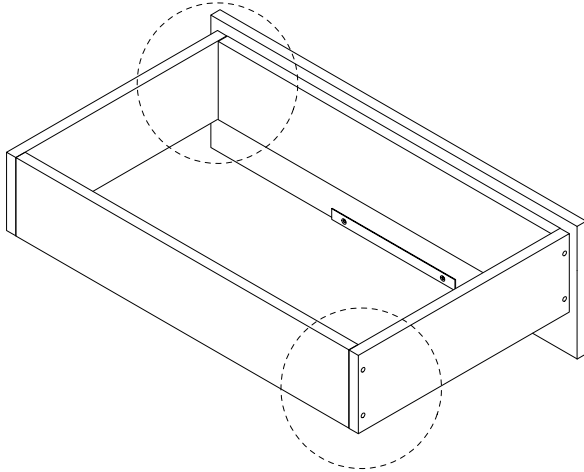
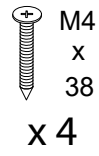


24



25

G



26

14

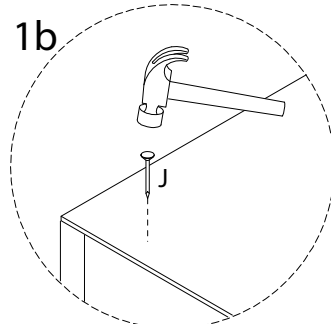
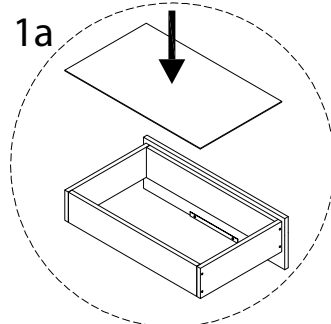
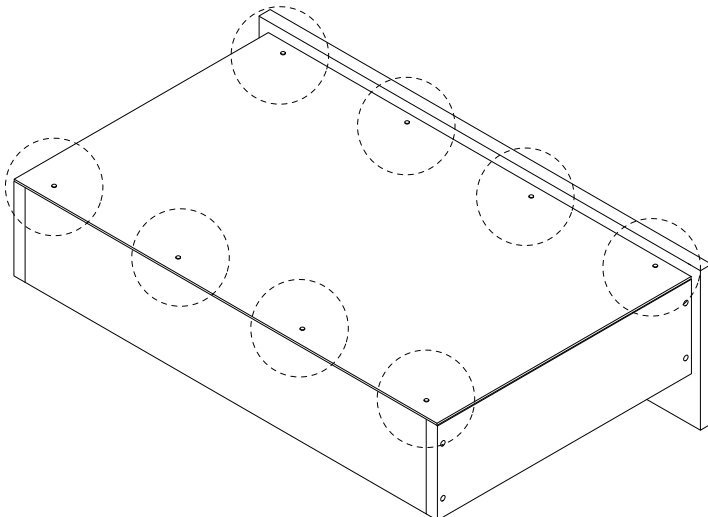


x 1

J

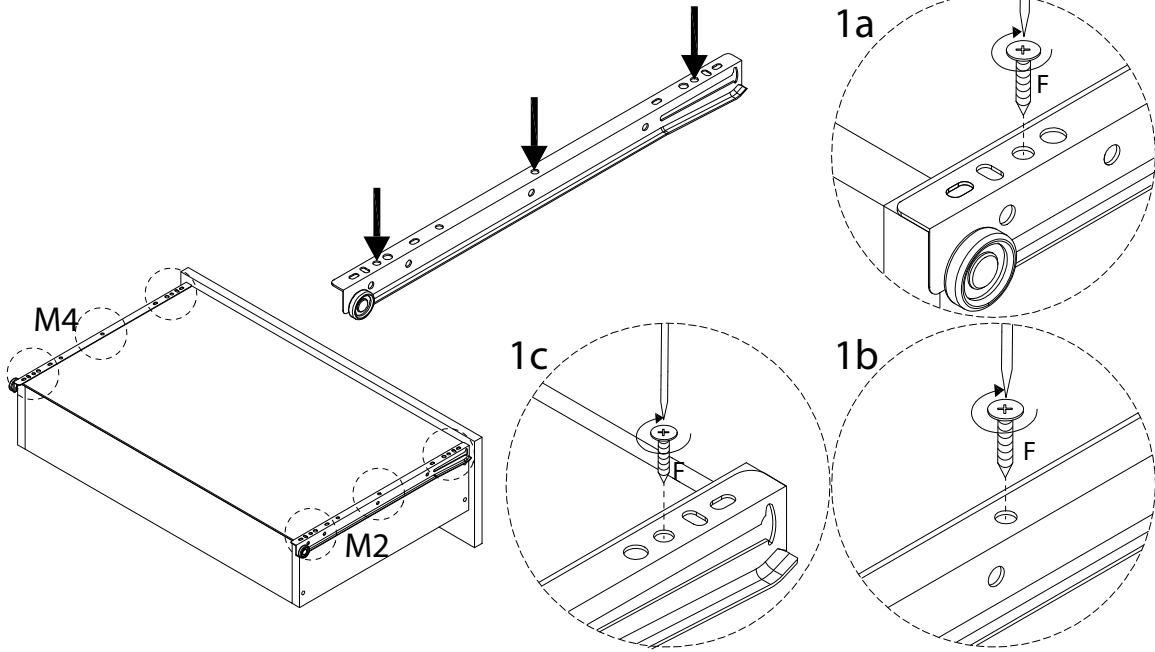
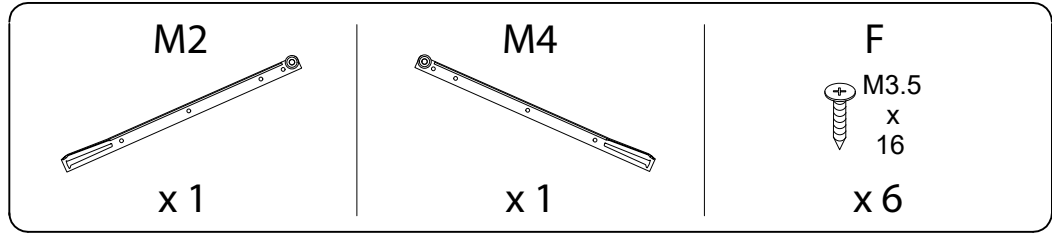


x 8





27



28

