

# COMPUTER DESK

## ASSEMBLY INSTRUCTIONS

Thank you for choosing to purchase from Piranha Furniture. We trust everything is as expected, however if there are **ANY** issues at all or you have further questions, please don't hesitate to email us and we will resolve the matter as quickly as possible:

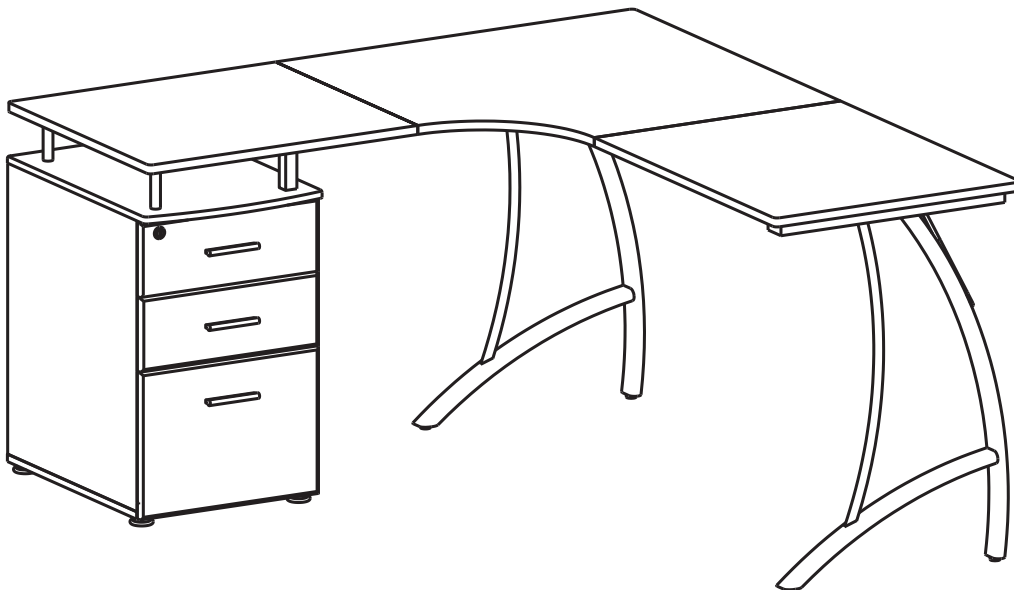
**United Kingdom:** [sales@piranhafurniture.com](mailto:sales@piranhafurniture.com)

**Rest of EU:** [info@piranhaeurope.com](mailto:info@piranhaeurope.com)

You can contact us through our website [www.piranhafurniture.com](http://www.piranhafurniture.com) where you will also find our full range of products.

**Please read the assembly instructions carefully before the installation**

**Retain all packaging as, if required, goods must be returned packed in the original cartons.**



**TWO PEOPLE REQUIRED**

**MODEL PC28**

**General Care:**

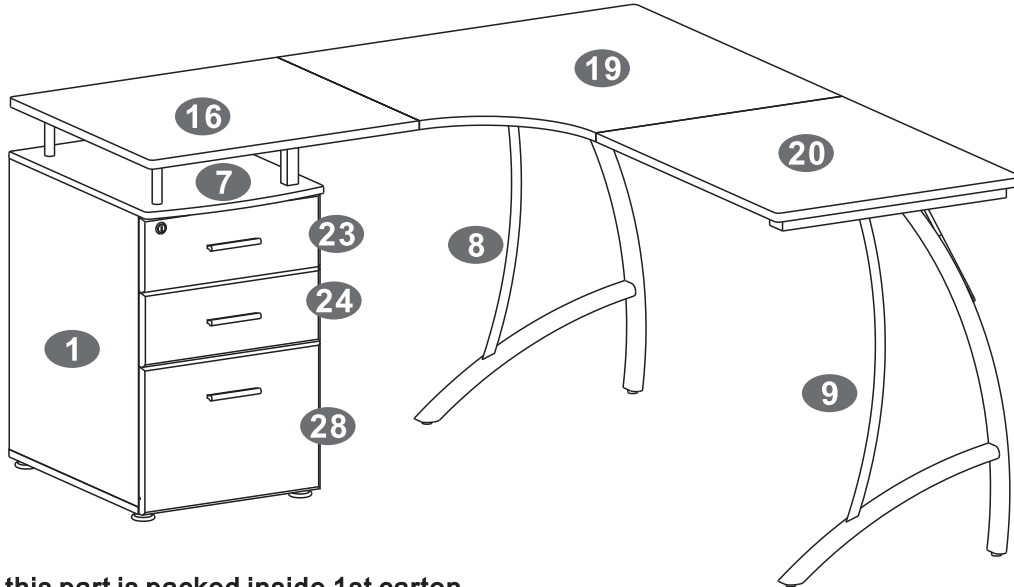
Keep furniture out of direct sunlight. Use mats and coasters to protect surfaces.  
Do not place hot or wet items directly onto unprotected surfaces.

**Cleaning:**

Wipe surfaces with a clean damp (not wet) cloth then dry with a clean lint free cotton cloth.  
Glass surfaces may be polished with window or other glass cleaning liquids.

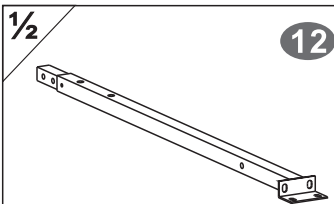
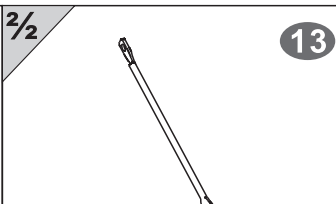
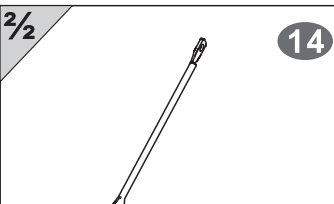
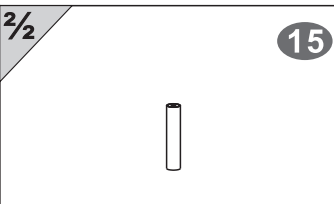
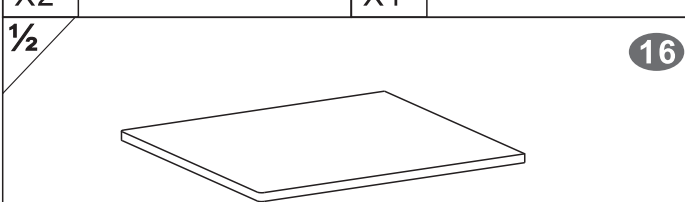
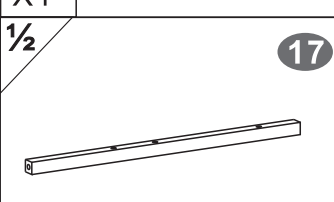
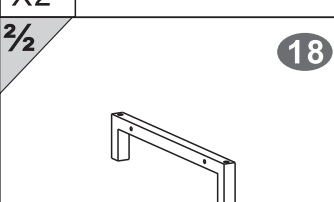
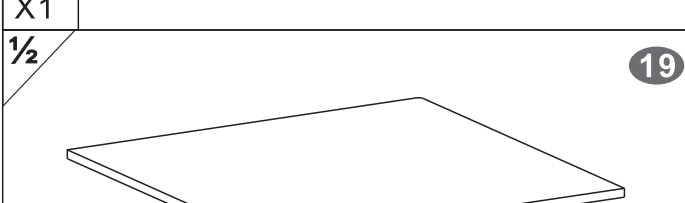
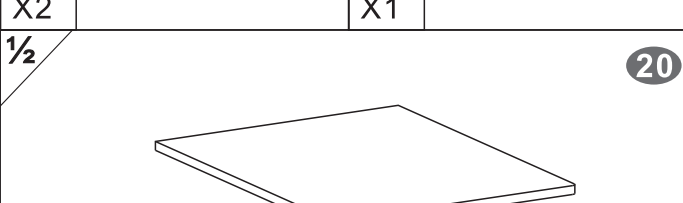
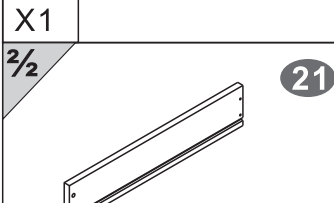
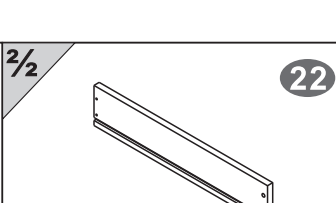
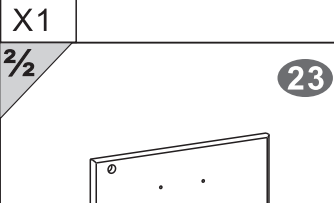
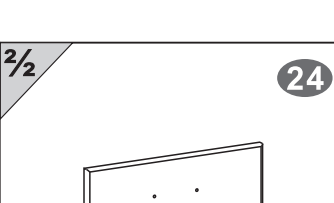
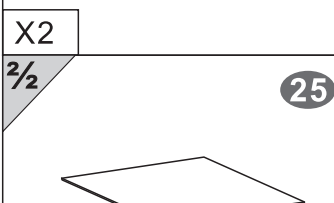
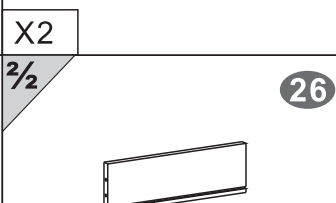
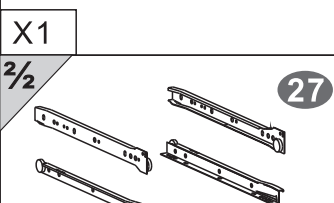
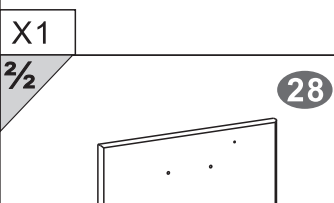
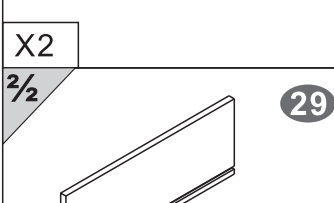
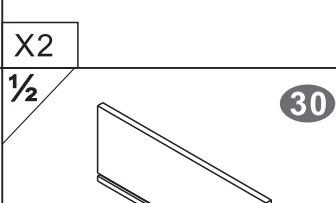
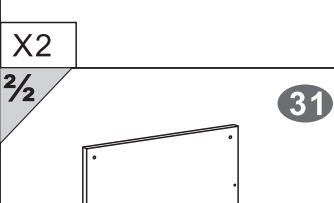
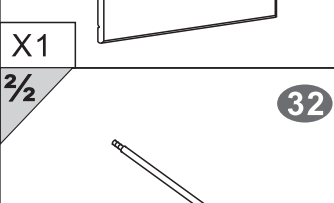
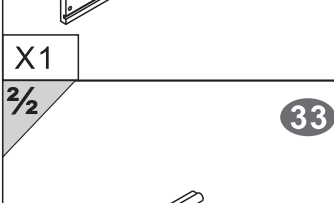
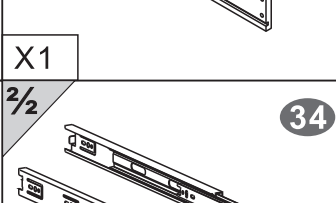
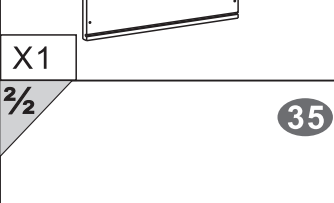
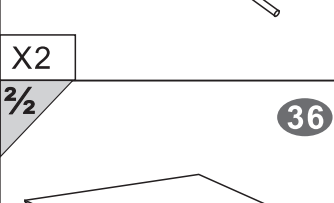


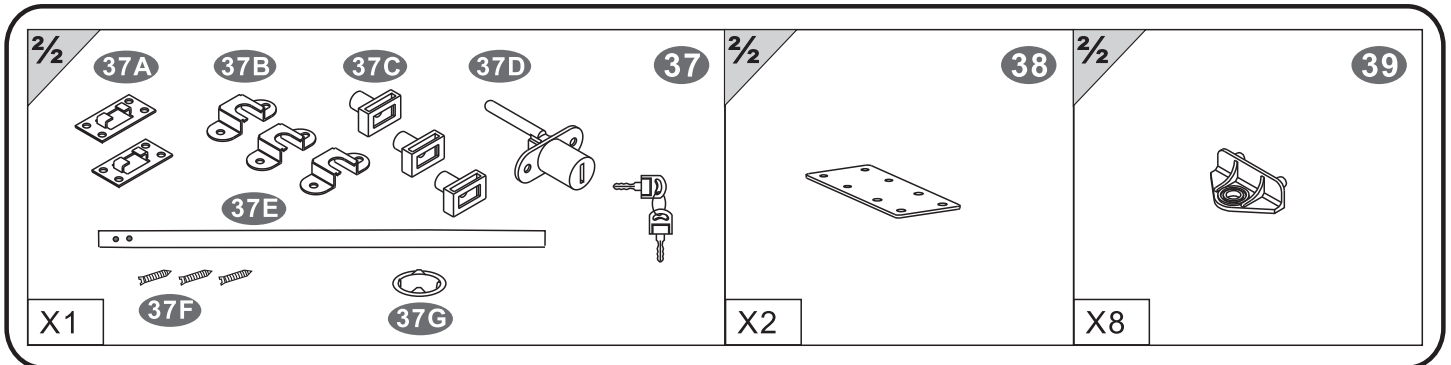
▪PARTS LIST



1/2 means this part is packed inside 1st carton  
2/2 means this part is packed inside 2nd carton

 1 2/2	 2 1/2	 3 1/2	 4 2/2
 5 X1	 6 2/2	 7 1/2	 8 2/2
 9 X1	 10 1/2	 11 1/2	 12 X1
 13 X1	 14 X1	 15 X1	 16 X1

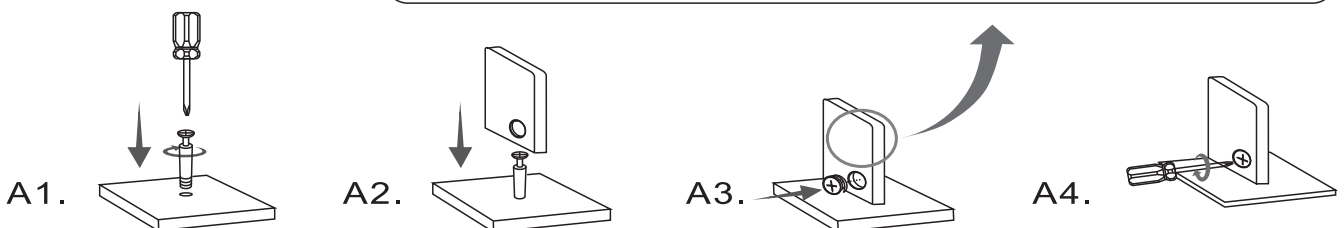
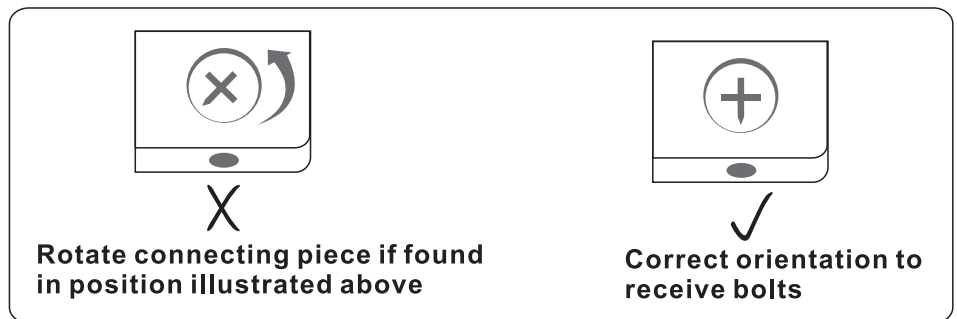
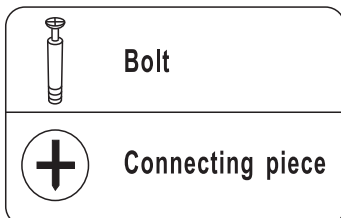
 <p>1/2</p> <p>12</p>	 <p>2/2</p> <p>13</p>	 <p>2/2</p> <p>14</p>	 <p>2/2</p> <p>15</p>
X2	X1	X1	X2
 <p>1/2</p> <p>16</p>	 <p>1/2</p> <p>17</p>	 <p>2/2</p> <p>18</p>	
X1	X2	X1	
 <p>1/2</p> <p>19</p>	 <p>1/2</p> <p>20</p>		
X1	X1		
 <p>2/2</p> <p>21</p>	 <p>2/2</p> <p>22</p>	 <p>2/2</p> <p>23</p>	 <p>2/2</p> <p>24</p>
X2	X2	X1	X1
 <p>2/2</p> <p>25</p>	 <p>2/2</p> <p>26</p>	 <p>2/2</p> <p>27</p> <p>Left Right</p>	 <p>2/2</p> <p>28</p>
X2	X2	X2	X1
 <p>2/2</p> <p>29</p>	 <p>1/2</p> <p>30</p>	 <p>2/2</p> <p>31</p>	 <p>2/2</p> <p>32</p>
X1	X1	X1	X2
 <p>2/2</p> <p>33</p>	 <p>2/2</p> <p>34</p>	 <p>2/2</p> <p>35</p>	 <p>2/2</p> <p>36</p>
X3	X1	X2	X1



▪SCREWS LIST

PART	QTY.	ITEM		PART	QTY.	ITEM	
<b>A</b>	60	3X15 MM		<b>I</b>	6	4X20 MM	
<b>B</b>	16	6X40 MM		<b>J</b>	6	M6	
<b>C</b>	2	6X25 MM		<b>K</b>	16	4X14 MM	
<b>D</b>	24	6X35 MM		<b>L</b>	16	Φ 15 MM	
<b>E</b>	26	6X12 MM		<b>M</b>	8	8X30 MM	
<b>F</b>	2	6X115 MM			1		
<b>G</b>	4	6X40 MM			1		
<b>H</b>	12	4X35 MM			1		

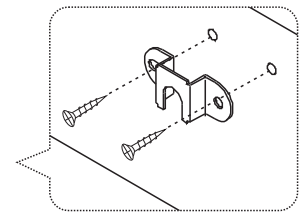
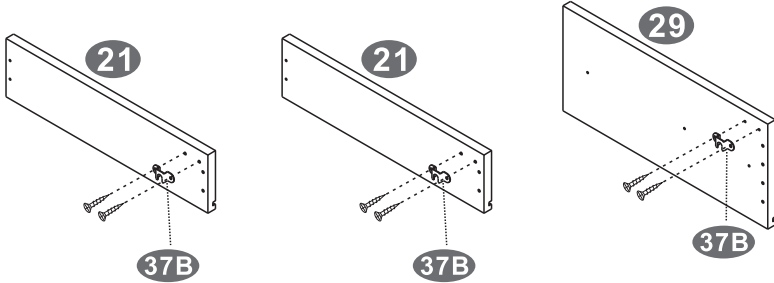
6X40MM BOLT INSTALLATION AS BELOW:





■ ASSEMBLY STEPS:

1

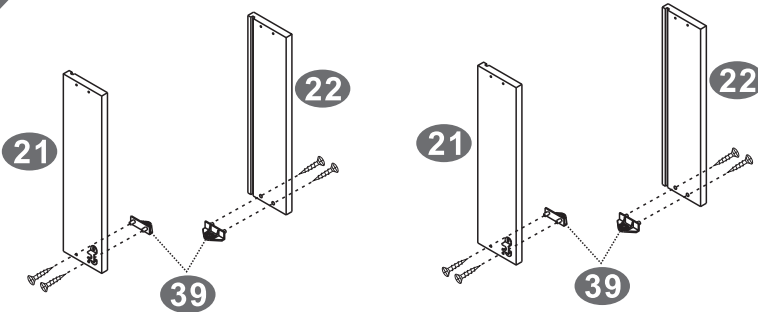


■ SCREWS

**A** 3X15 MM  
6PCS



2

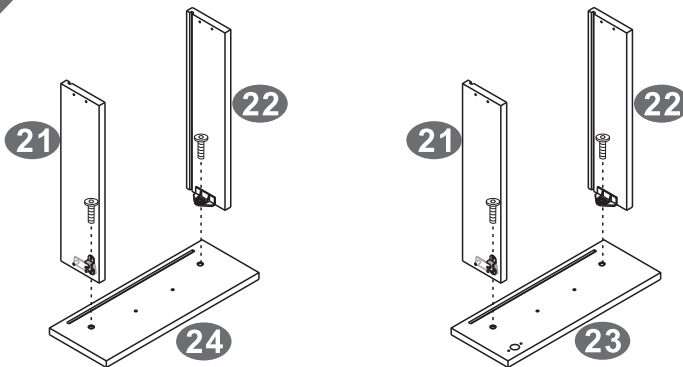


■ SCREWS

**A** 3X15 MM  
8PCS

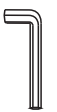


3

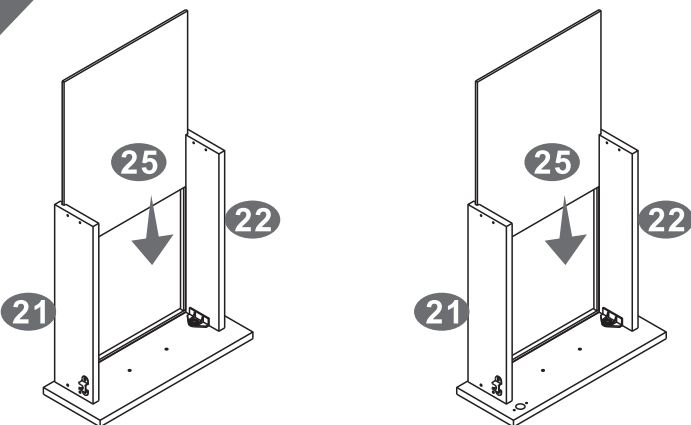


■ SCREWS

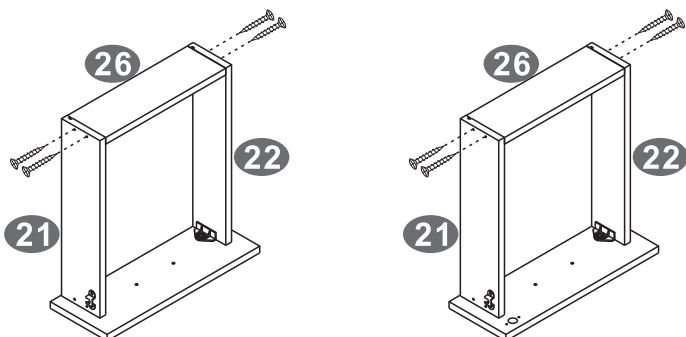
**E** 6X12 MM  
4PCS



4



5



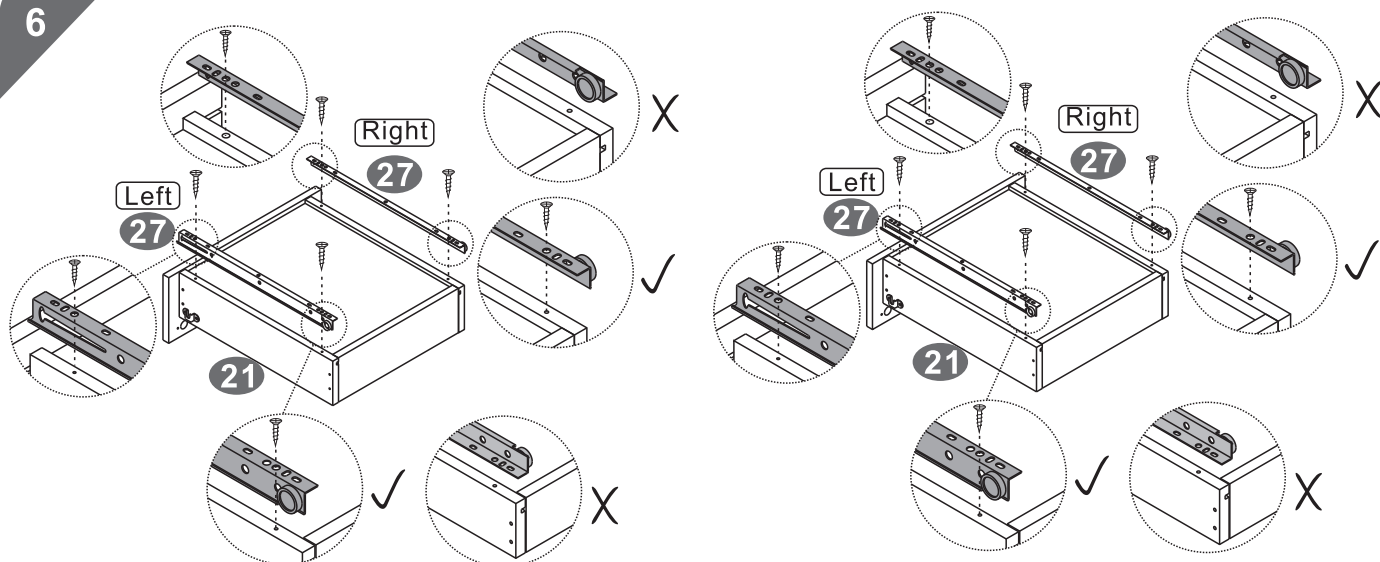
■ SCREWS

**H** 4X35 MM

 8PCS

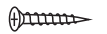


6



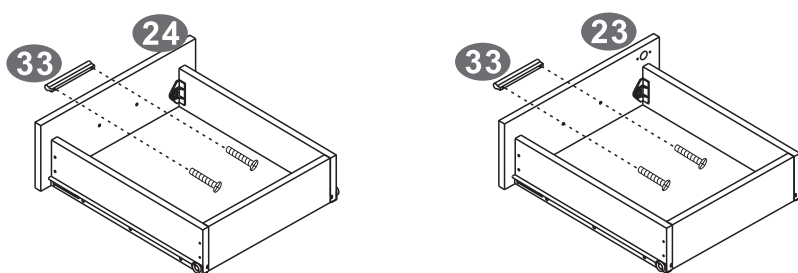
■ SCREWS

**A** 3X15 MM

 8PCS



7



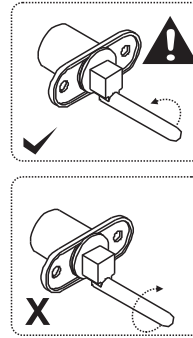
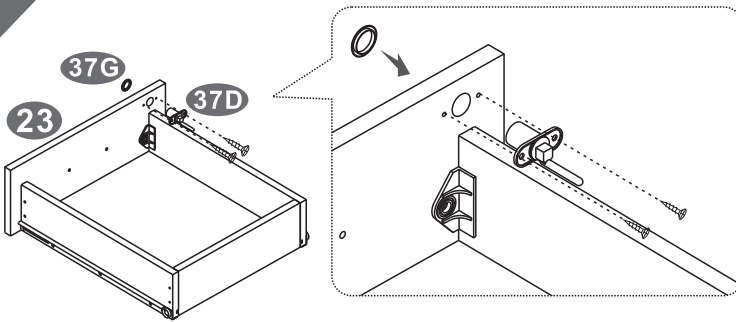
■ SCREWS

**I** 4X20 MM



 4PCS



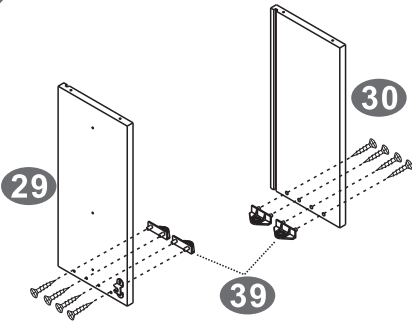
8



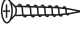

■ SCREWS

**A** 3X15 MM  2PCS 

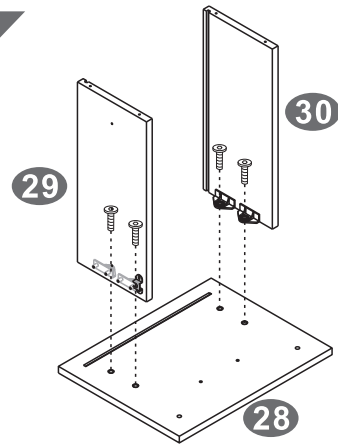
9





■ SCREWS

**A** 3X15 MM  8PCS 

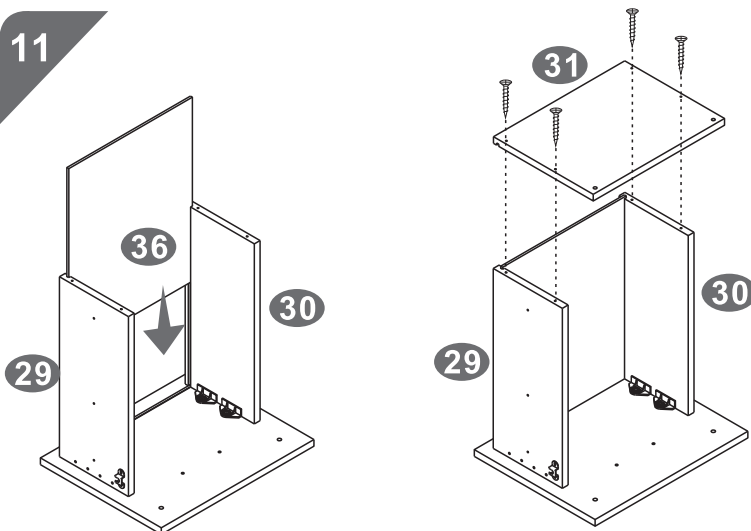
10





■ SCREWS

**E** 6X12 MM  4PCS 

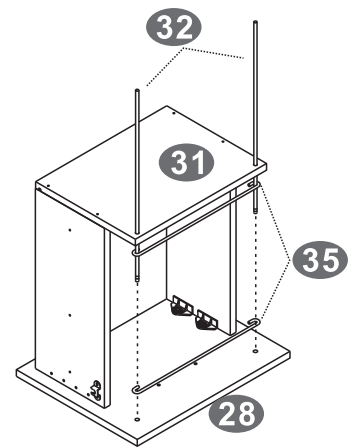
11



■ SCREWS

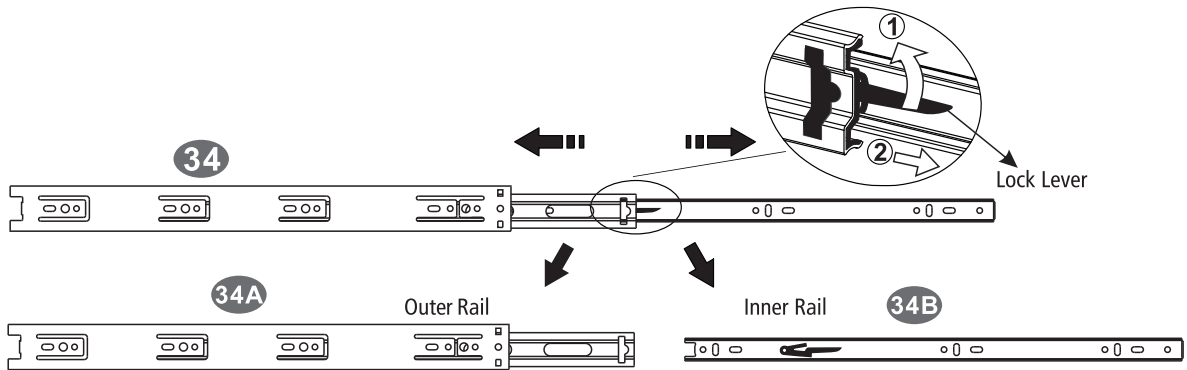
**H** 4X35 MM  4PCS 

12



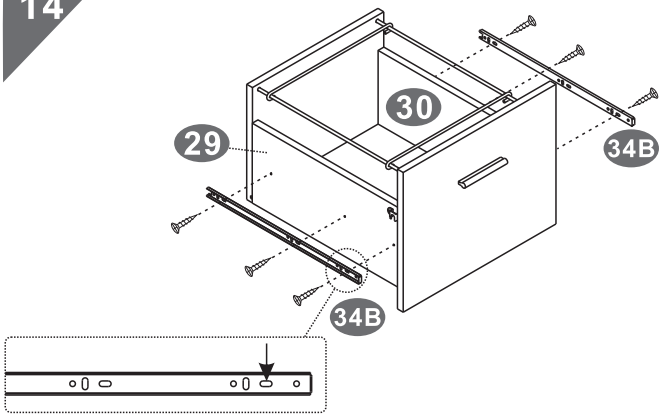
⚠ Be careful not to overtighten the metal rod

13



move the lock lever on the inner rail as shown and separate the outer rail (34a) and inner rail (34b) from the 2 file drawer slides (34)

14



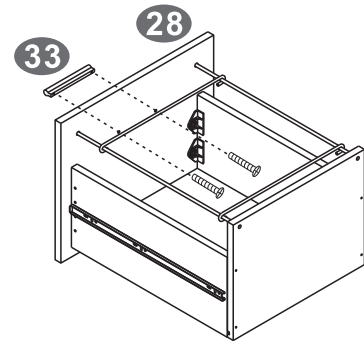
▪ SCREWS

**A** 3X15 MM

6PCS



15



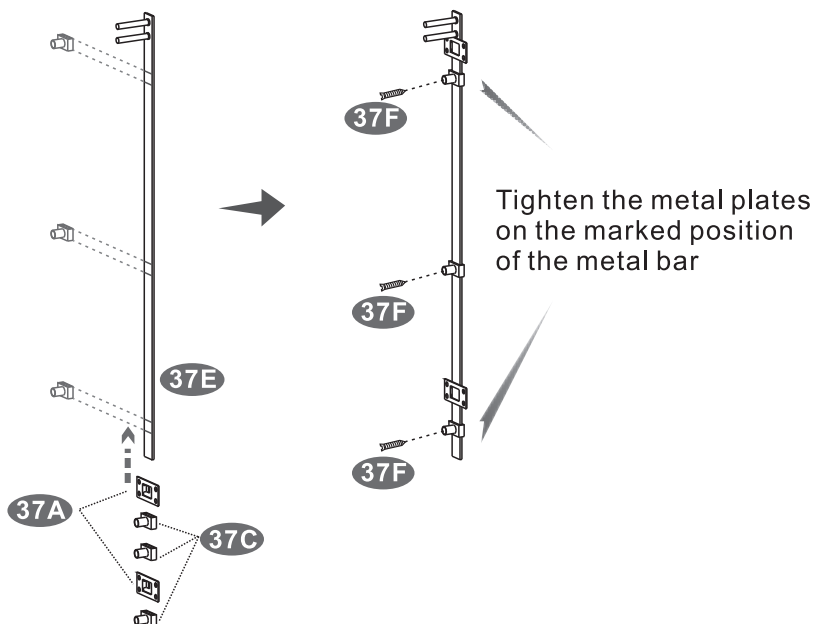
▪ SCREWS

**I** 4X20 MM

2PCS

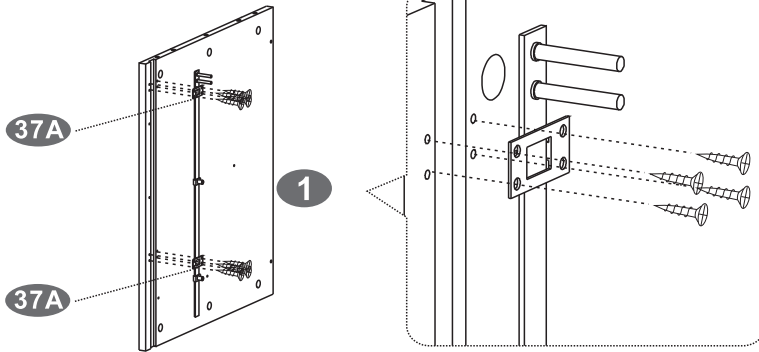


16





17



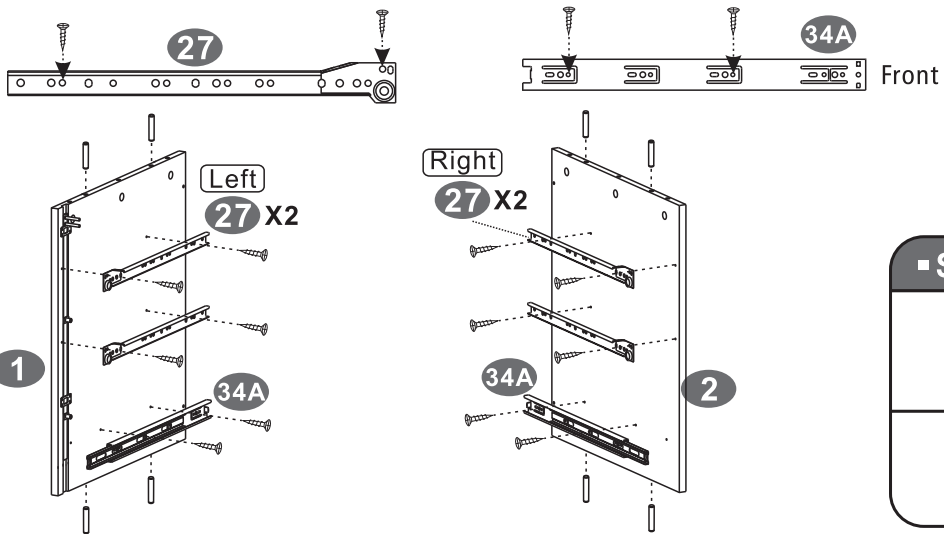
■ SCREWS

**A** 3X15 MM

8PCS



18



■ SCREWS

**A** 3X15 MM

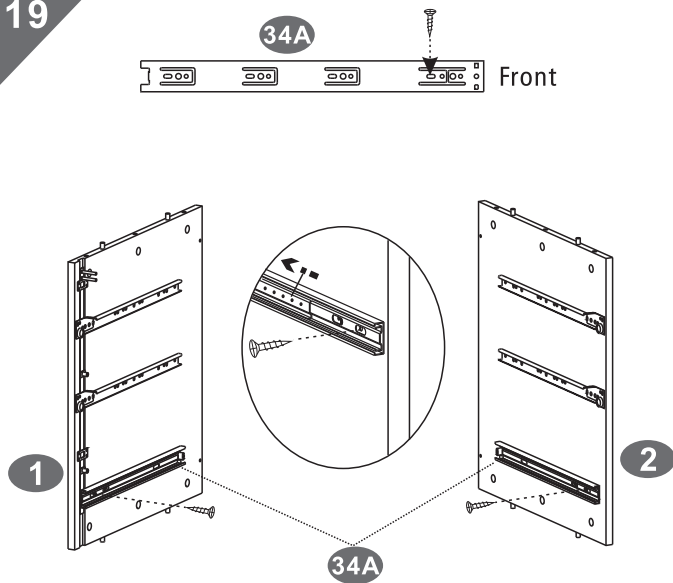
12PCS

**M** 8X30 MM

8PCS



19



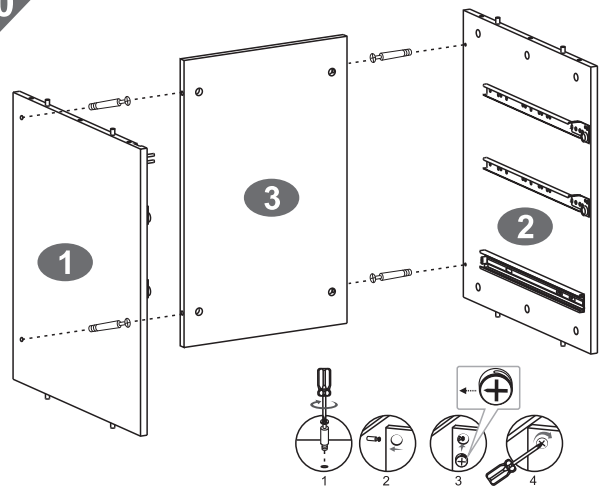
■ SCREWS

**A** 3X15 MM

2PCS



20



■ SCREWS

**B** 6X40 MM

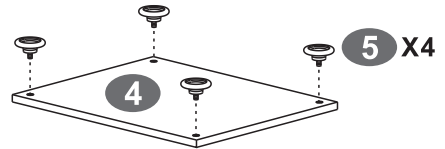
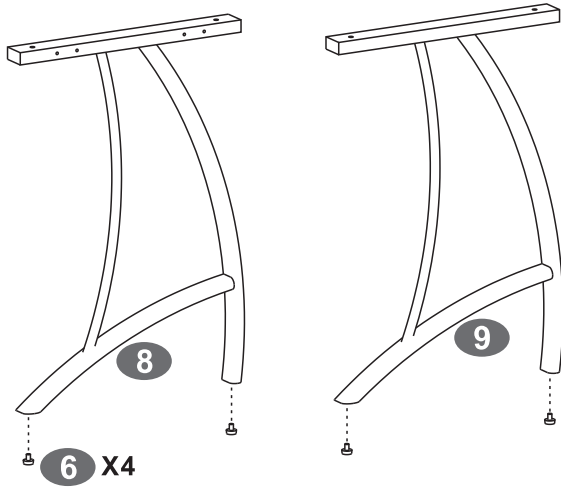
4PCS

**L** Φ 15 MM

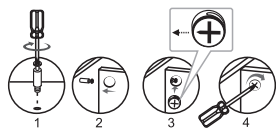
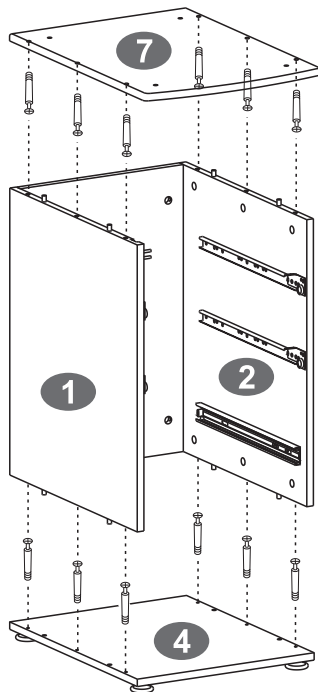
4PCS



21



22



■ SCREWS

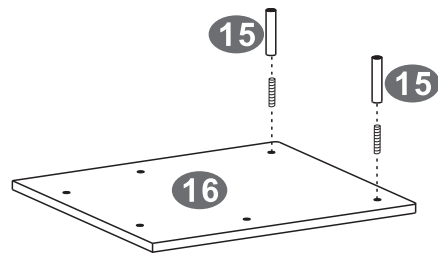
**B** 6X40 MM

12PCS

**L** Φ 15 MM

12PCS

23

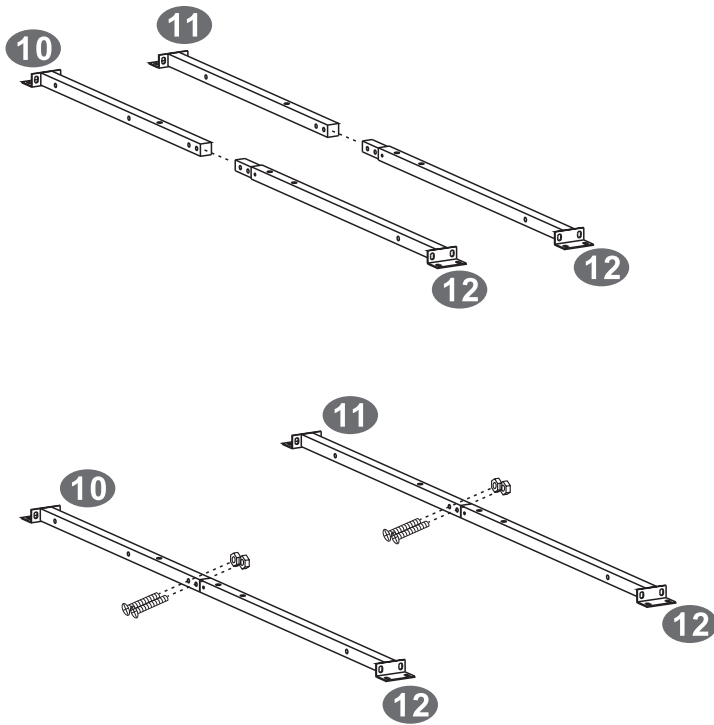





■ SCREWS

**C** 6X25 MM

2PCS

24

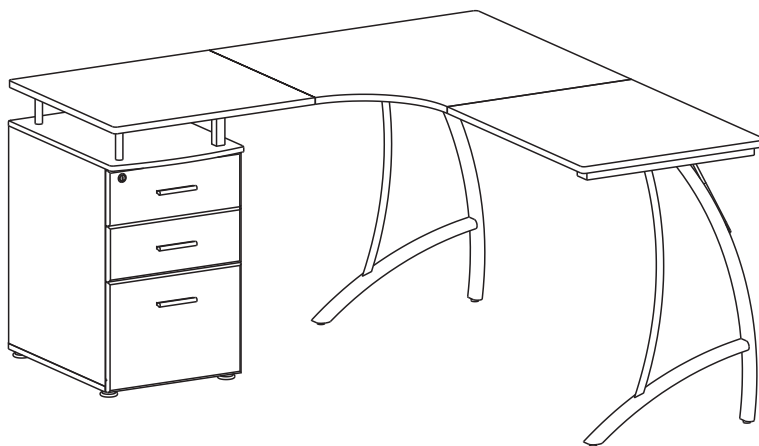


SCREWS		
<b>D</b>	6X35 MM	
	4PCS	
<b>J</b>	M6	
	4PCS	

\*\* There are 2 options to assemble our desk, please choose it according to your preference.

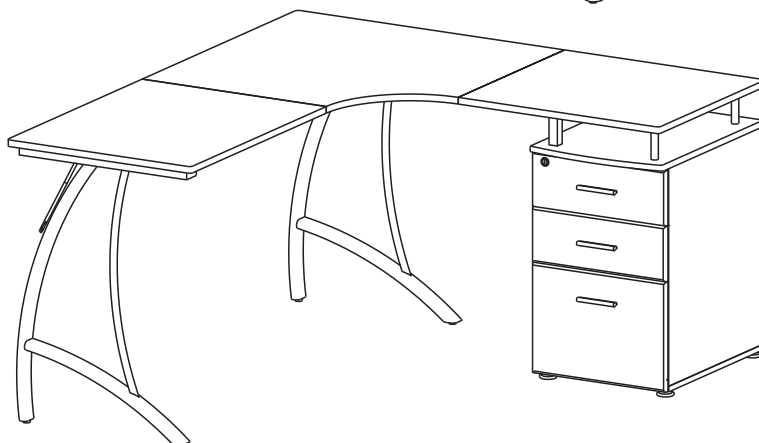
**A**

A1-A7

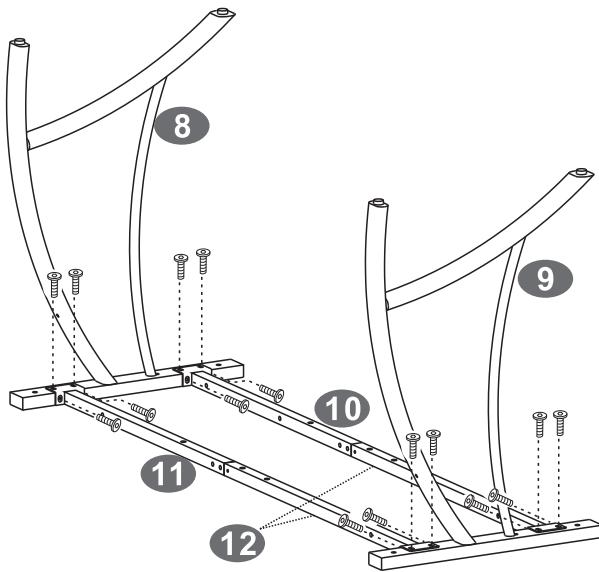


**B**

B1-B7



A1



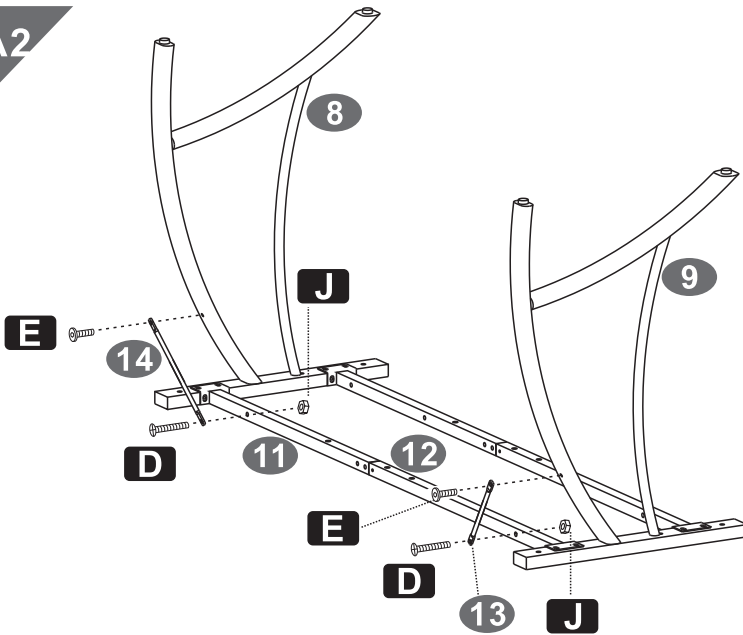
▪ SCREWS

**E** 6X12 MM

16PCS



A2



▪ SCREWS

**D** 6X35 MM

2PCS



**E** 6X12 MM

2PCS

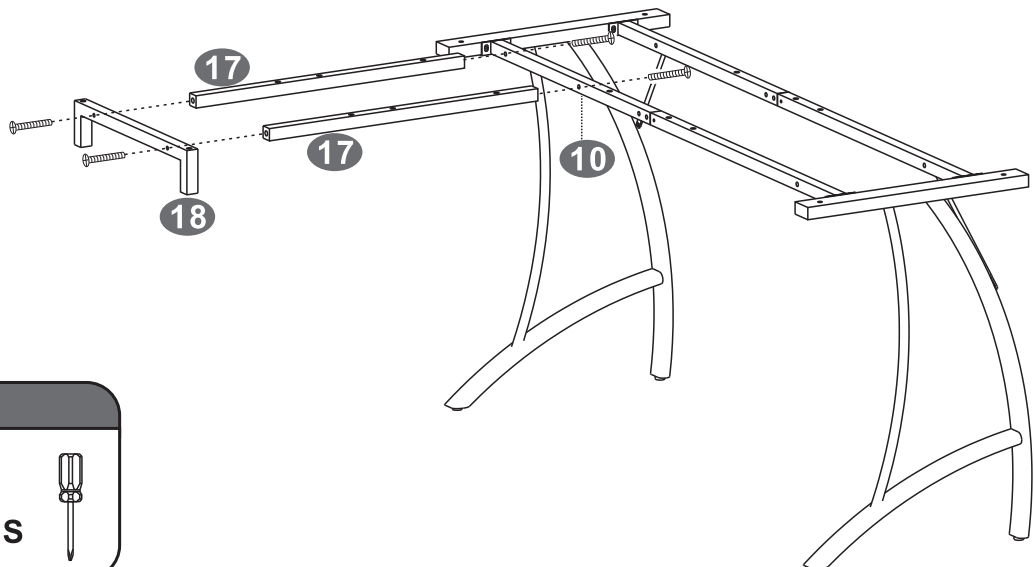


**J** M6

2PCS



A3



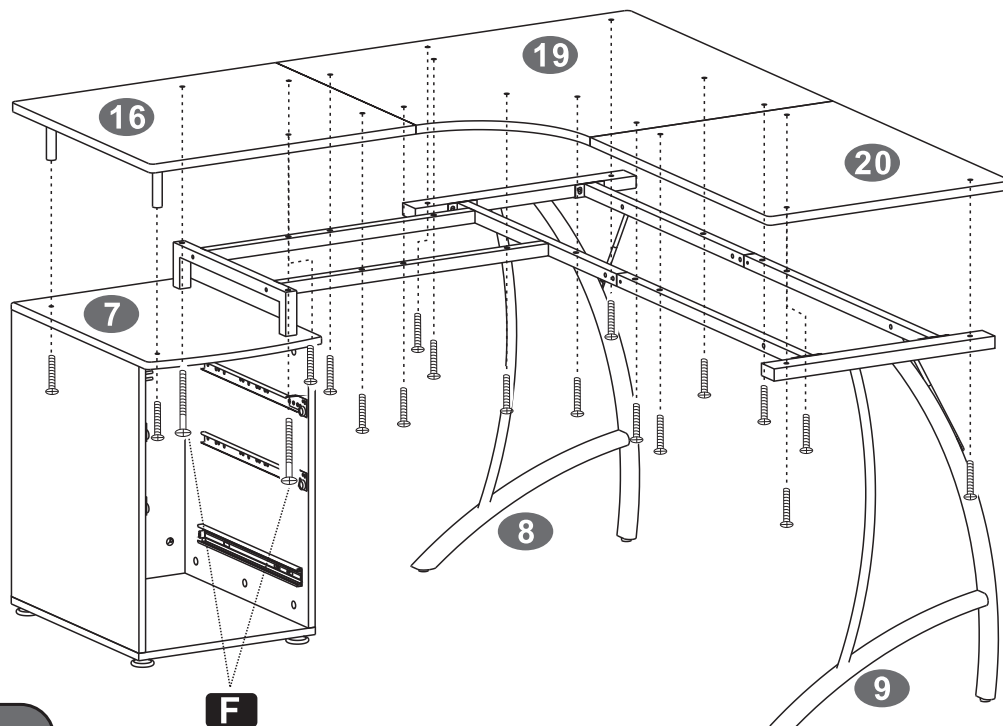
▪ SCREWS

**G** 6X40 MM

4PCS



A4



SCREWS

**D** 6X35 MM

18PCS

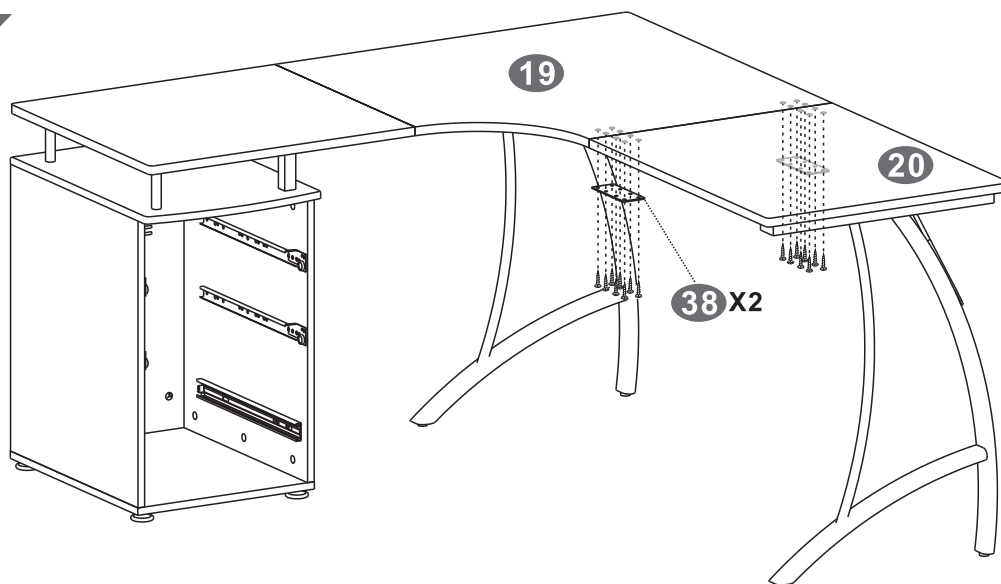


**F** 6X115 MM

2PCS



A5



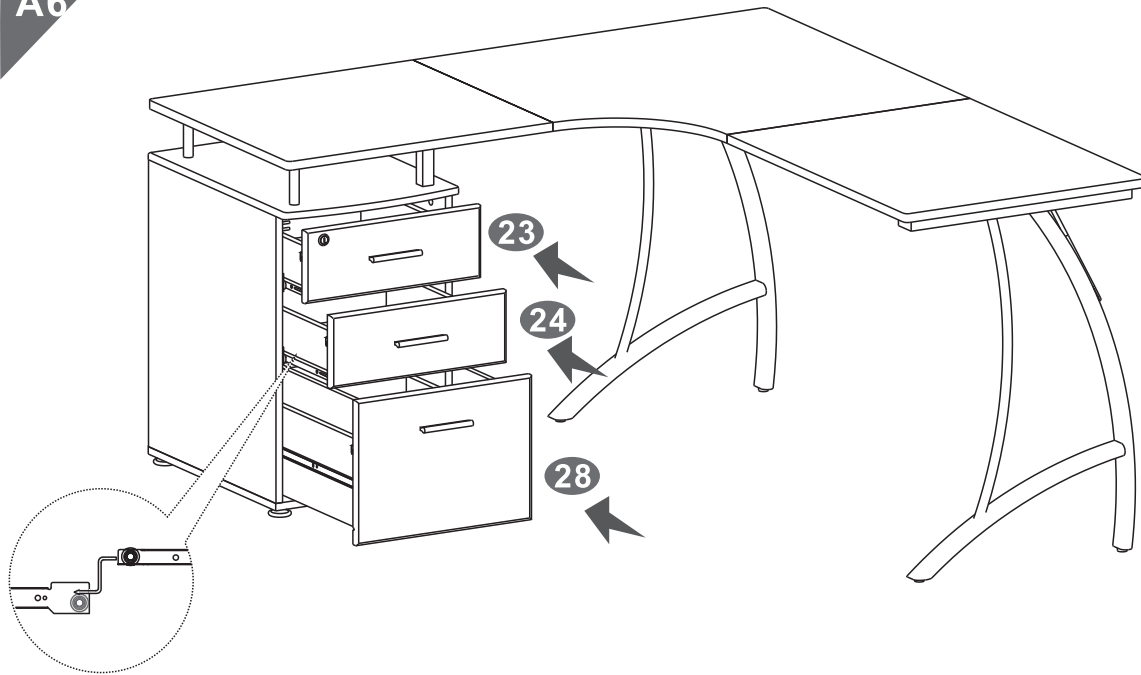
SCREWS

**K** 4X14 MM

16PCS



A6



1st



Inner silver ball bearing slide

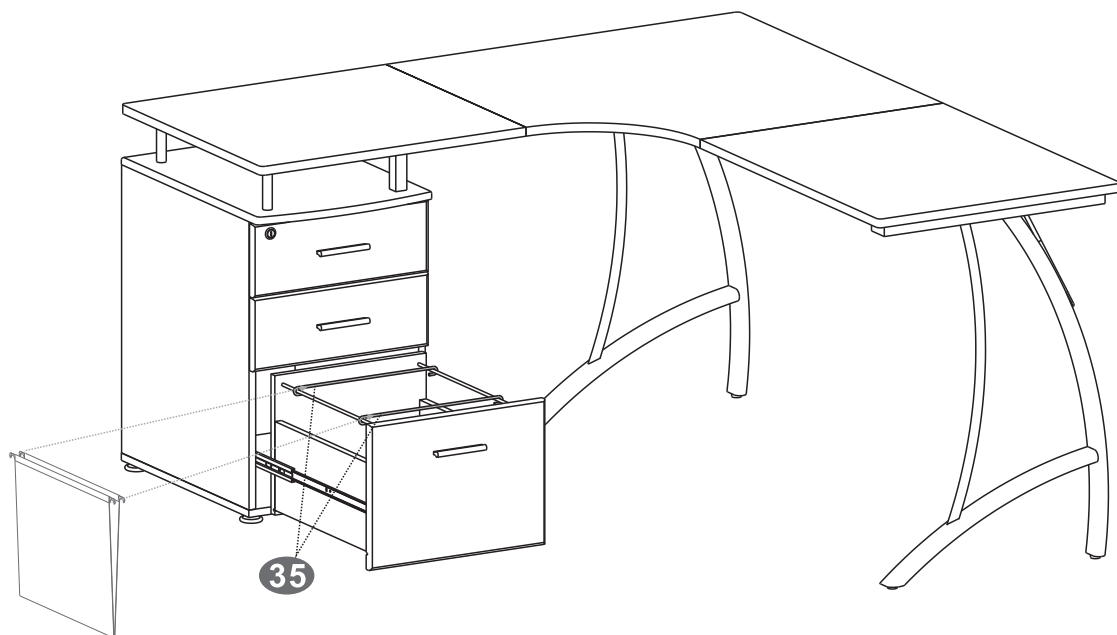
Make sure inner silver ball bearing slide is at the front of the slide mount and in lock position (over the hump), as shown.

2nd



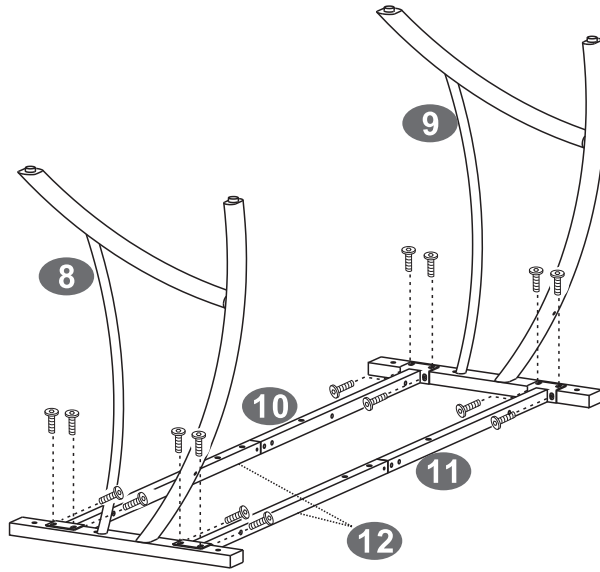
Align both sides of slide runners to slide mounts' openings, then slide all the way in. Apply small force to insert completely if needed.

A7



Please hang files on the movable metal hook part 35

B1



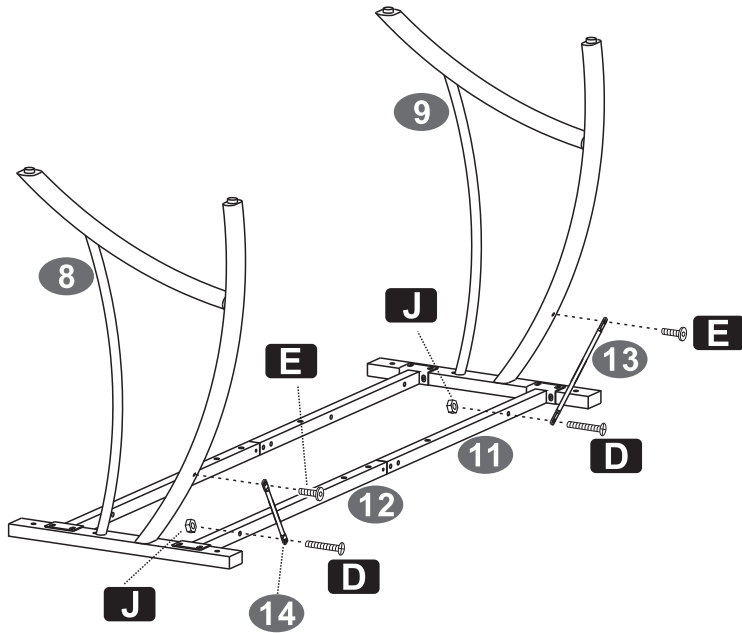
SCREWS

**E** 6X12 MM

16PCS



B2



SCREWS

**D** 6X35 MM

2PCS

**E** 6X12 MM

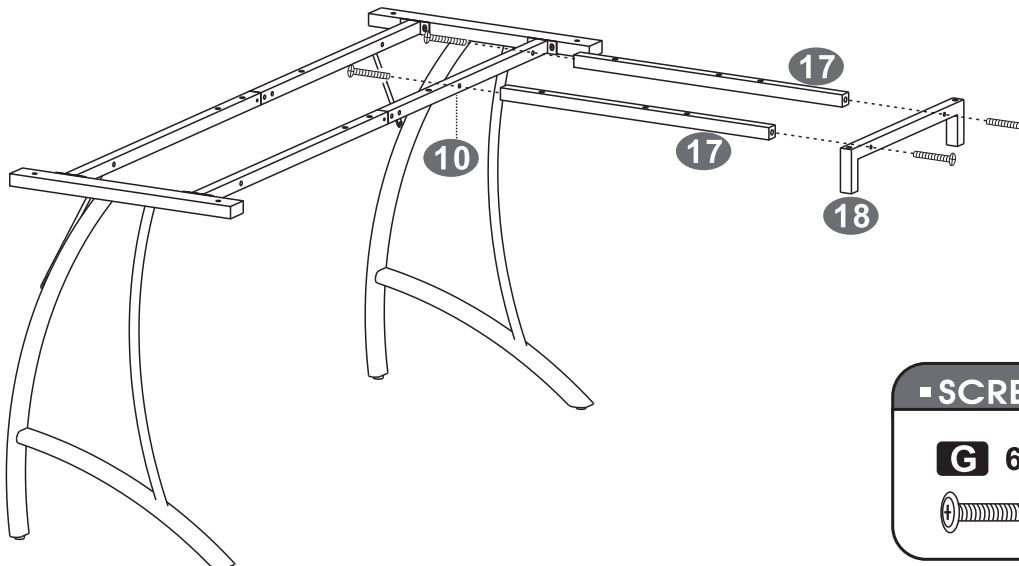
2PCS

**J** M6

2PCS



B3



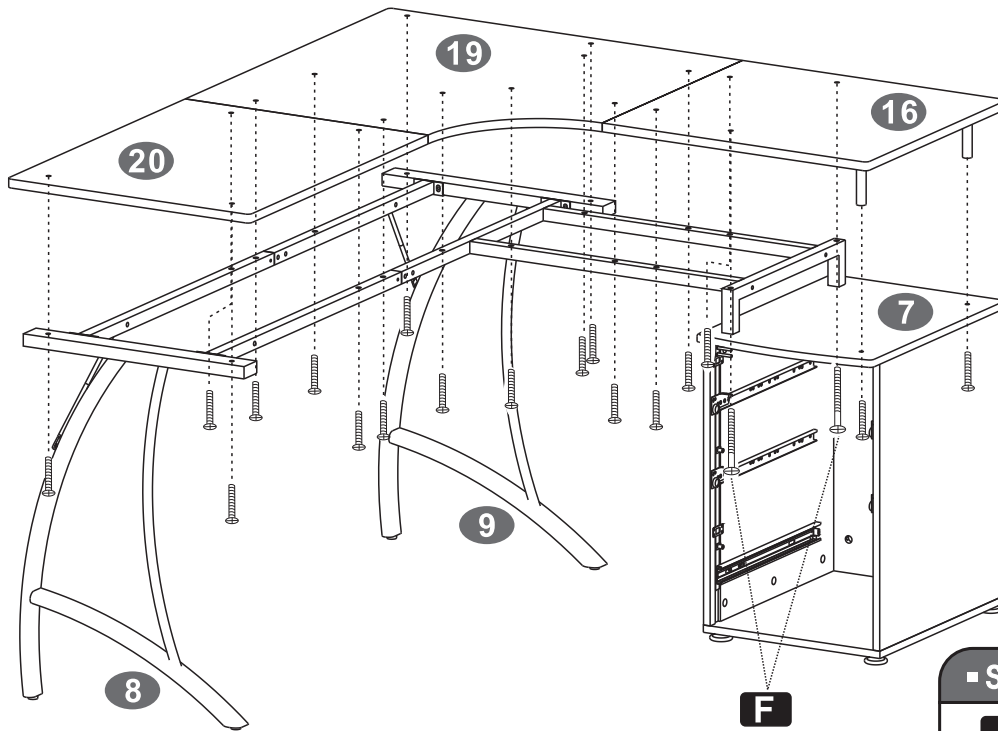
SCREWS


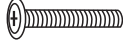

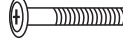
**G** 6X40 MM

4PCS

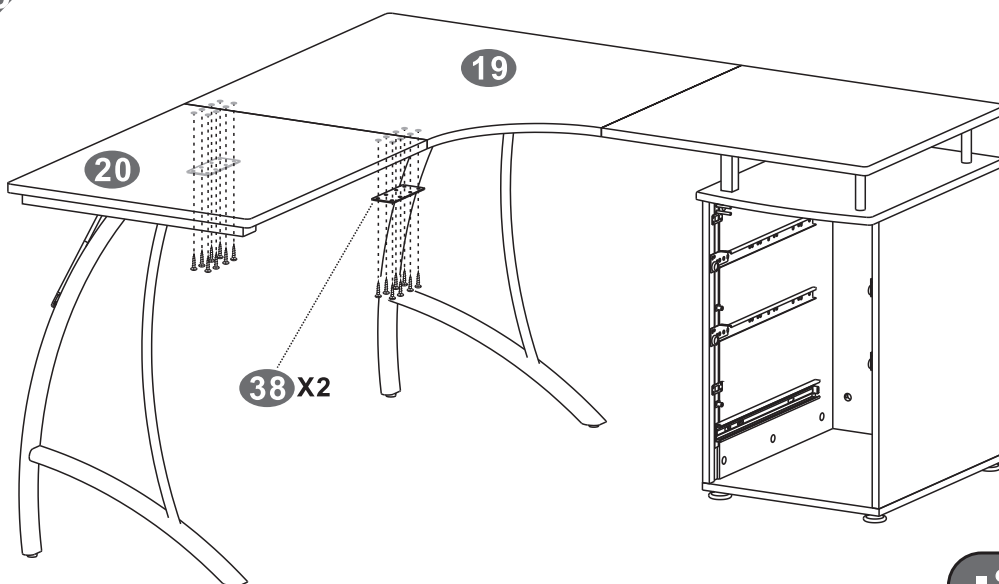




B4



SCREWS		
<b>D</b>	6X35 MM	
	18PCS	
<b>F</b>	6X115 MM	
	2PCS	

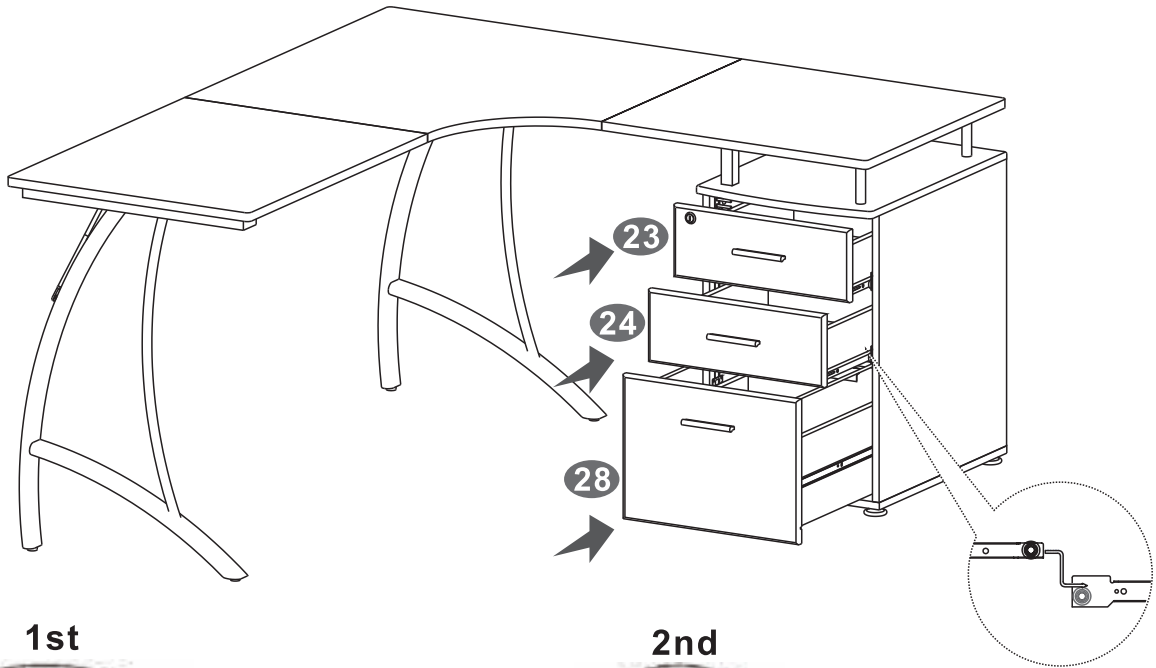
B5



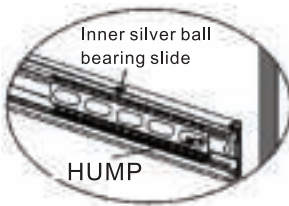
SCREWS		
<b>K</b>	4X14 MM	
	16PCS	



B6



1st



Inner silver ball bearing slide

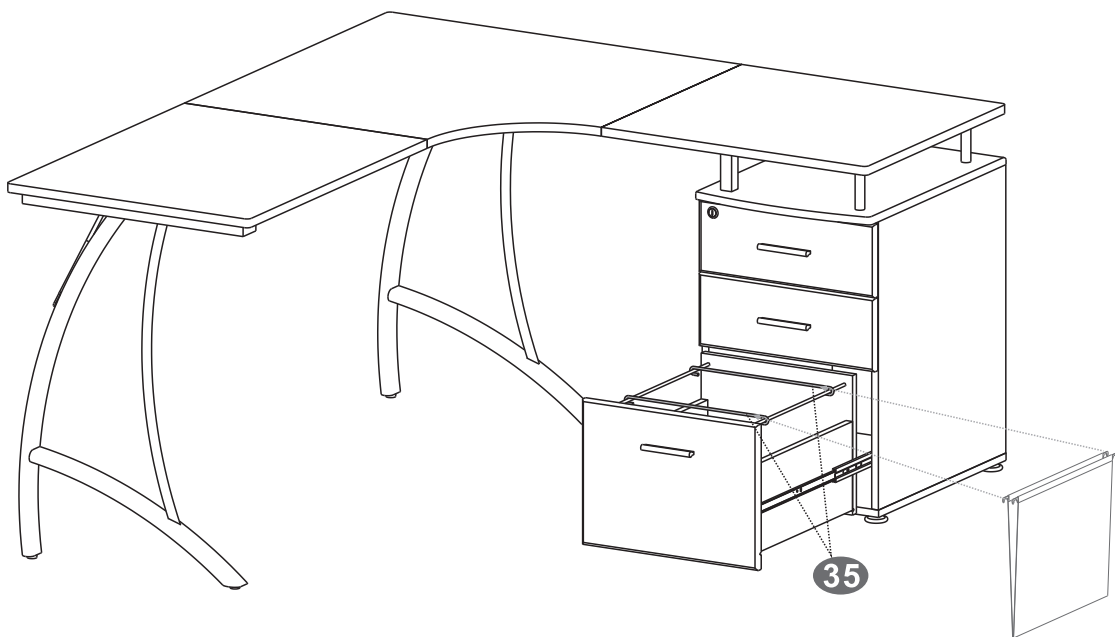
Make sure inner silver ball bearing slide is at the front of the slide mount and in lock position (over the hump), as shown.

2nd



Align both sides of slide runners to slide mounts' openings, then slide all the way in. Apply small force to insert completely if needed.

B7



Please hang files on the movable metal hook part 35