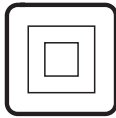
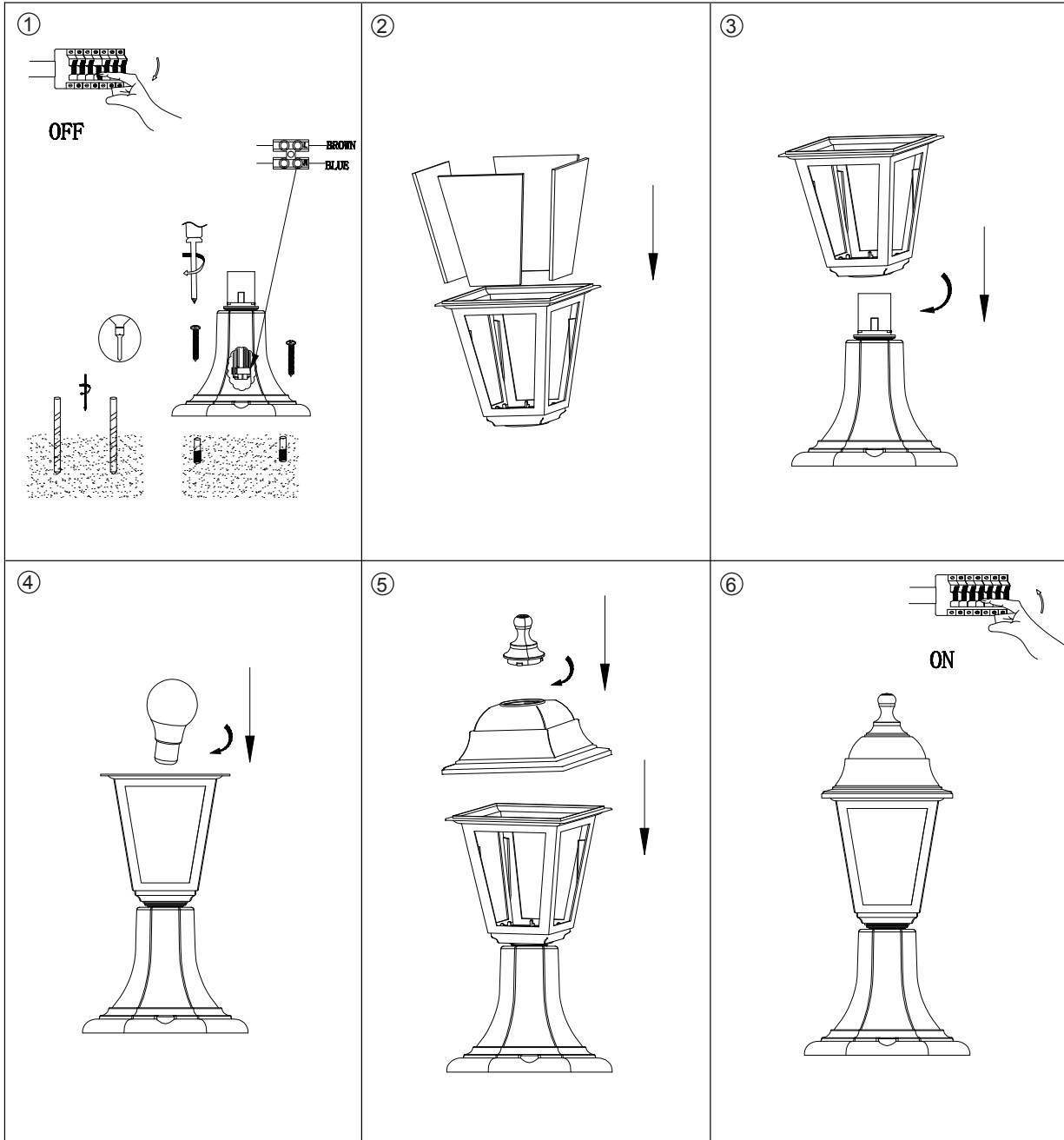


INSTRUCTION MANUAL



Capital P44
103214 / 103215



Overall Size:

