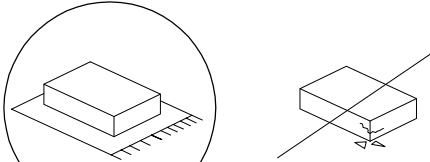
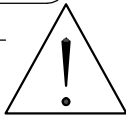

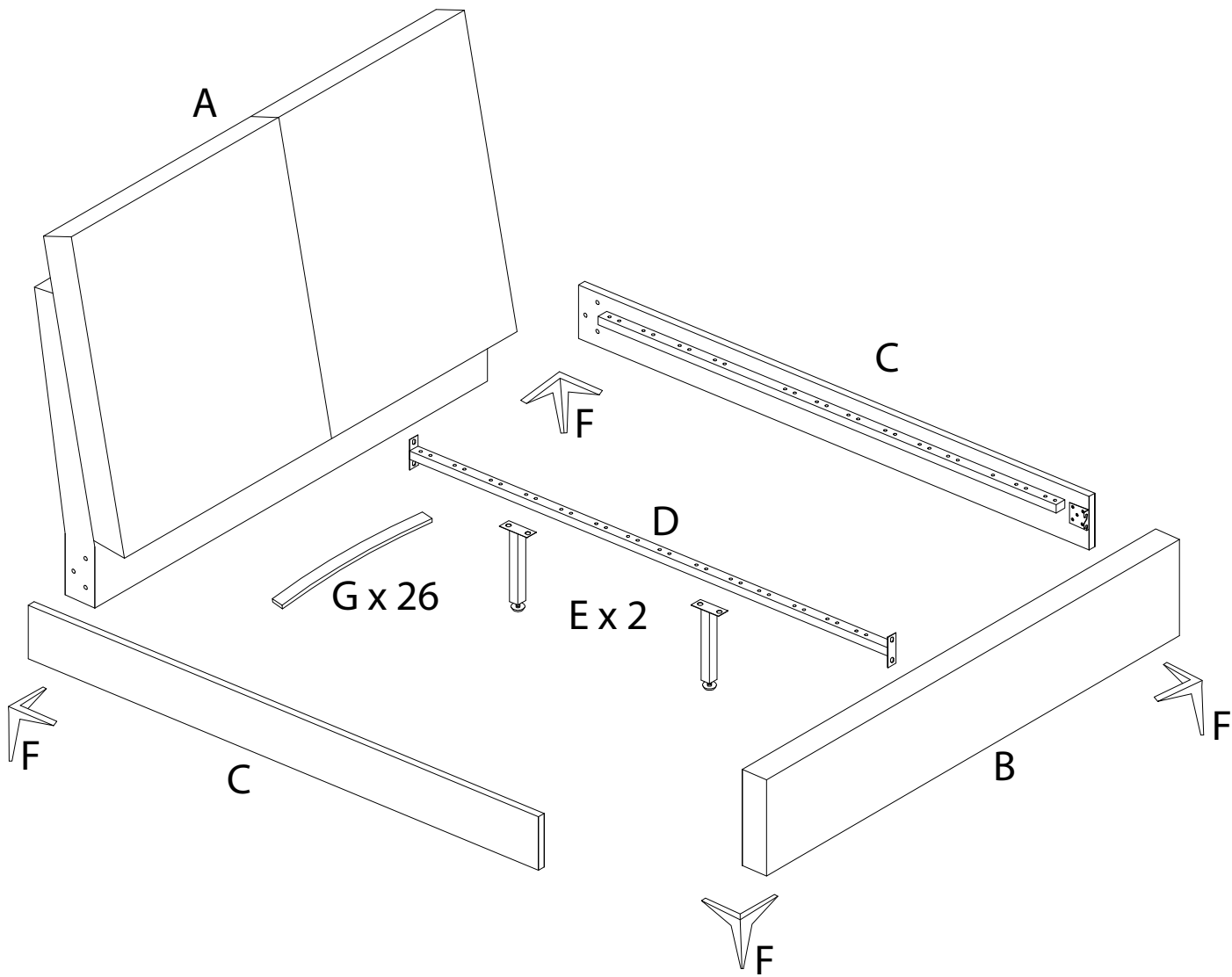
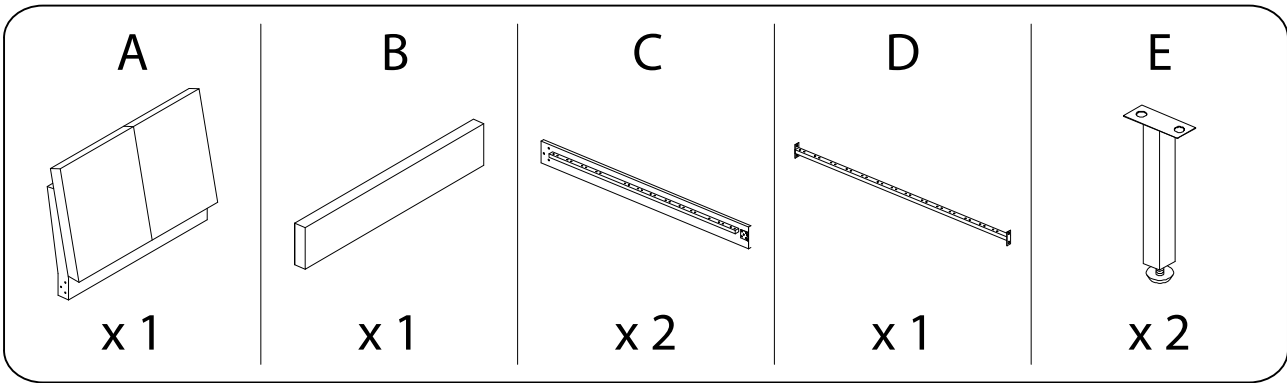
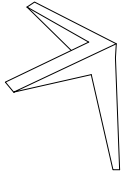

		45'
		
		2

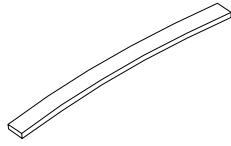


F



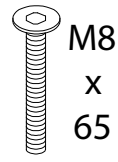
x 4

G



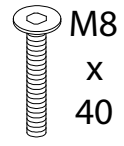
x 26

H



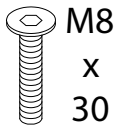
x 6

I



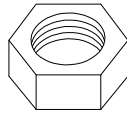
x 8

J



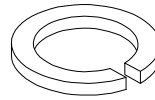
x 16

K



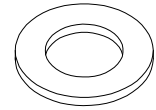
x 4

L



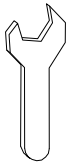
x 30

M



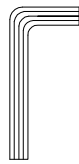
x 30

N



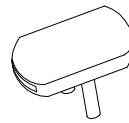
x 1

O



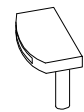
x 1

P



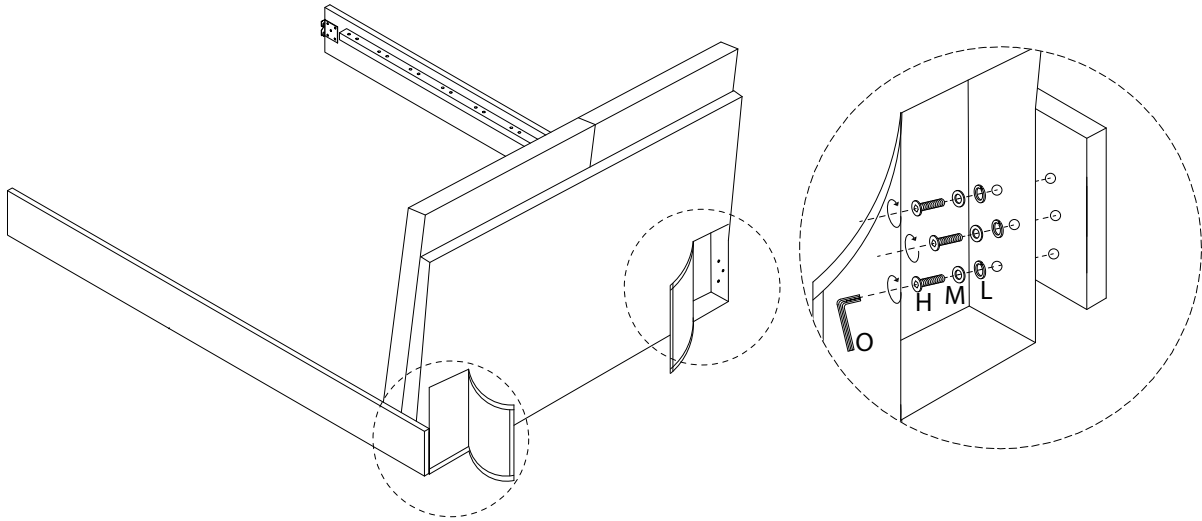
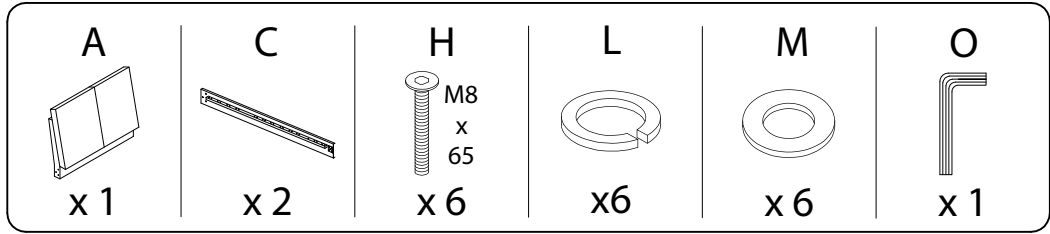
x 13

Q

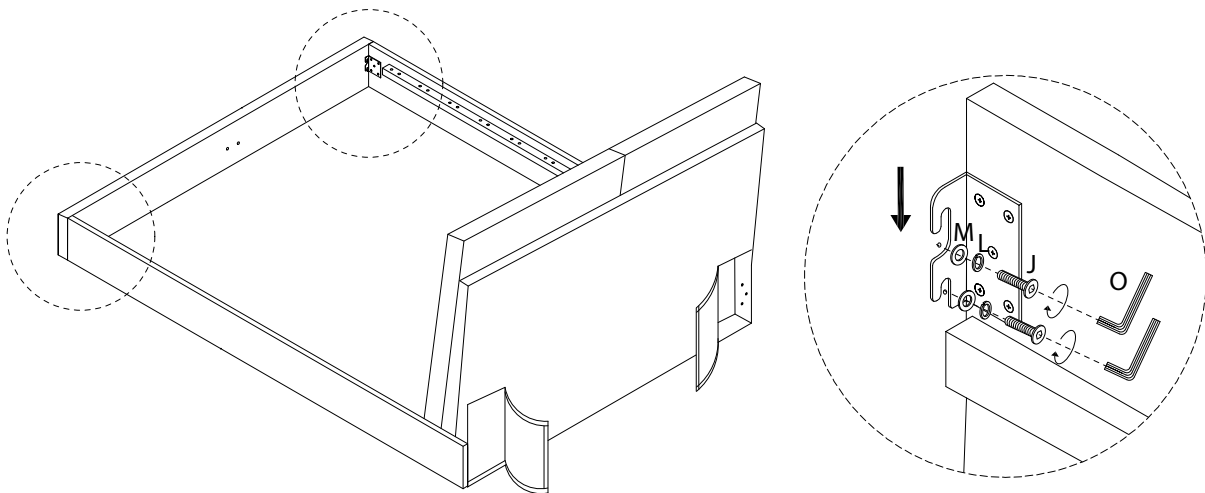
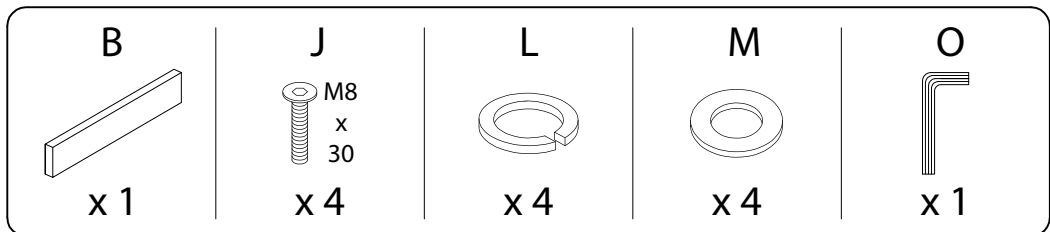


x 16

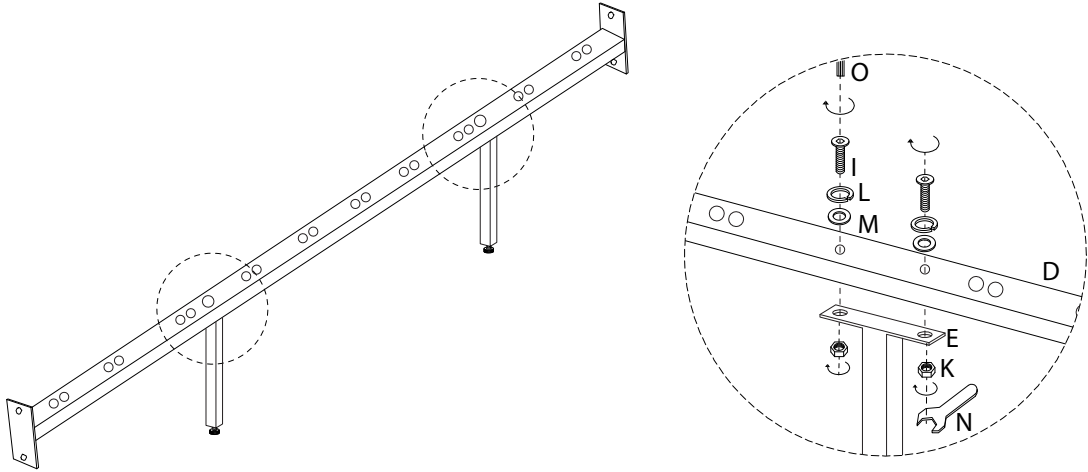
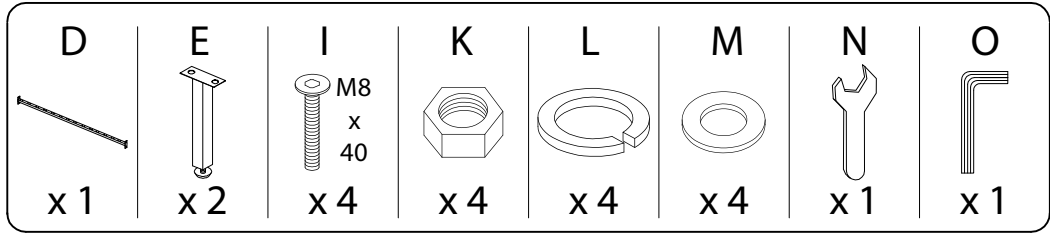
1



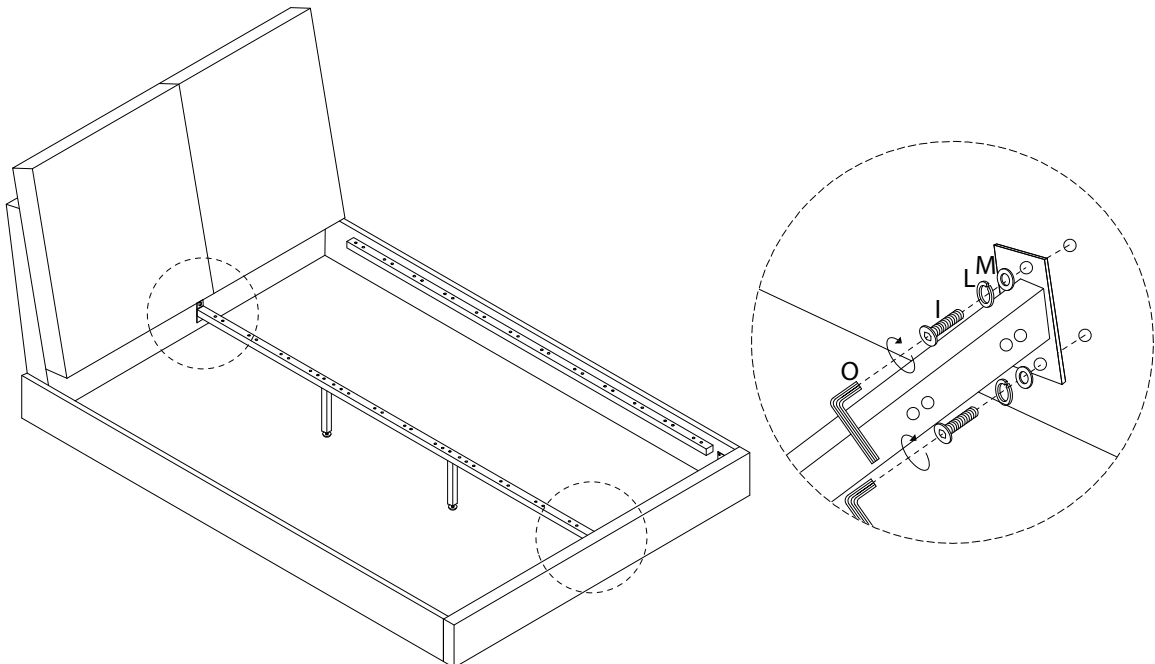
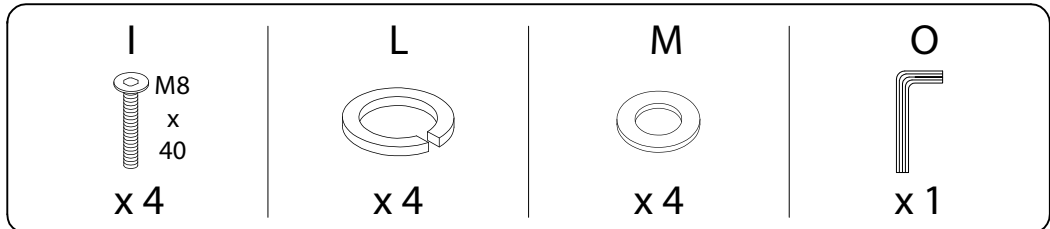
2



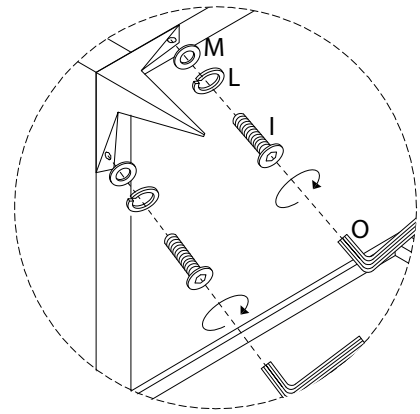
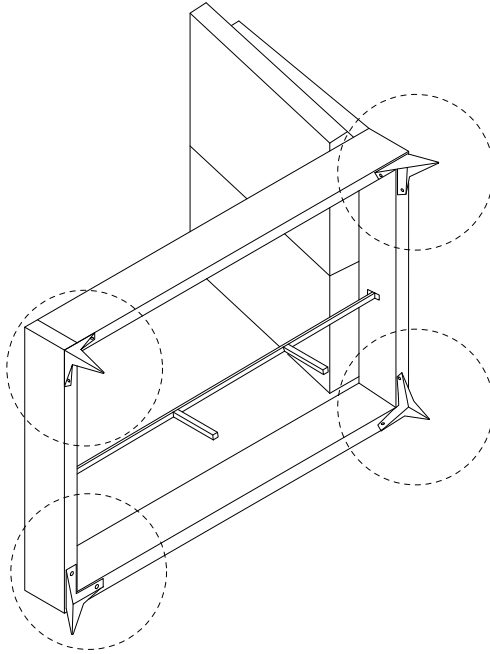
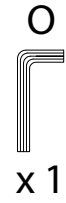
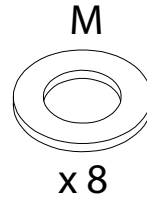
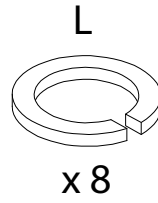
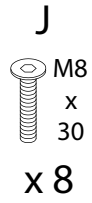
3



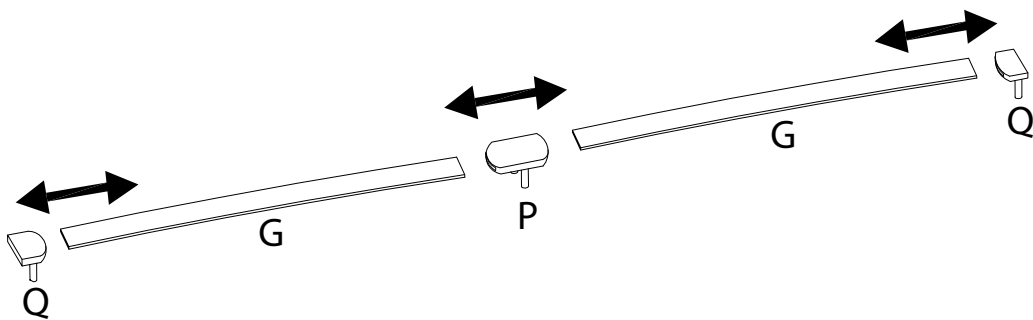
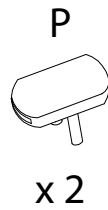
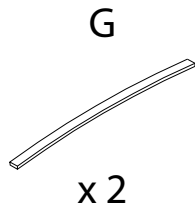
4



5



6 x 13



7 x 13

