

# Lenco

**Model: CR-615**



<b>USER MANUAL</b>	DAB+/FM clock radio with time projection
<b>HANDLEIDING</b>	DAB+/-FM-wekkerradio met tijdsprojectie
<b>BEDIENUNGSANLEITUNG</b>	DAB+/FM-Radiowecker mit Zeitprojektion
<b>MODE D'EMPLOI</b>	Radio réveil DAB+/FM avec projection de l'heure
<b>MANUAL DEL USUARIO</b>	Radio reloj DAB+/FM con proyección de la hora

**Index:**

ENGLISH.....	3
NEDERLANDS .....	13
DEUTSCH.....	24
FRANÇAIS.....	37
ESPAÑOL.....	49

**CAUTION:**

Usage of controls or adjustments or performance of procedures other than those specified herein may result in hazardous radiation exposure.

**PRECAUTIONS BEFORE USE**

---

**KEEP THESE INSTRUCTIONS IN MIND:**

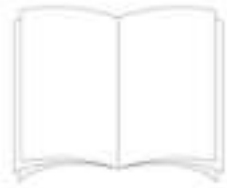
1. Do not cover or block any ventilation openings. When placing the device on a shelf, leave 5 cm (2") free space around the whole device.
2. Install in accordance with the supplied user manual.
3. Keep the device away from heat sources such as radiators, heaters, stoves, candles and other heat-generating products or naked flame. The apparatus can only be used in moderate climates. Extremely cold or warm environments should be avoided. Working temperature between 0° and 35°C.
4. Avoid using the device near strong magnetic fields.
5. Electrostatic discharge can disturb normal usage of this device. If so, simply reset and restart the device following the instruction manual. During file transmission, please handle with care and operate in a static-free environment.
6. Warning! Never insert an object into the product through the vents or openings. High voltage flows through the product and inserting an object can cause electric shock and/or short circuit internal parts. For the same reason, do not spill water or liquid on the product.
7. Do not use in wet or moist areas such as bathrooms, steamy kitchens or near swimming pools.
8. The apparatus shall not be exposed to dripping or splashing and make sure that no objects filled with liquids, such as vases, are placed on or near the apparatus.
9. Do not use this device when condensation may occur. When the unit is used in a warm wet room with damp, water droplets or condensation may occur inside the unit and the unit could maybe not work properly; let the unit stand in power OFF for 1 or 2 hours before turning on the power: the unit should be dry before getting any power.
10. Although this device is manufactured with the utmost care and checked several times before leaving the factory, it is still possible that problems may occur, as with all electrical appliances. If you notice smoke, an excessive build-up of heat or any other unexpected phenomena, you should disconnect the plug from the main power socket immediately.
11. This device must operate on a power source as specified on the specification label. If you are not sure of the type of power supply used in your home, consult your dealer or local power company.
12. Keep away from rodents. Rodents enjoy biting on power cords.
13. To clean the device, use a soft dry cloth. Do not use solvents or petrol based fluids. To remove severe stains, you may use a damp cloth with dilute detergent.
14. The supplier is not responsible for damage or lost data caused by malfunction, misuse, modification of the device or battery replacement.
15. Do not interrupt the connection when the device is formatting or transferring files. Otherwise, data may be corrupted or lost.
16. If the unit has USB playback function, the usb memory stick should be plugged into the unit directly. Don't use an usb extension cable because it can cause interference resulting in failing of data.
17. The rating label has been marked on the bottom or back panel of the apparatus.
18. This device is not intended for use by people (including children) with physical, sensory or mental disabilities, or a lack of experience and knowledge, unless they're under supervision or have received instructions about the correct use of the device by the person who is responsible for their safety.

19. This product is intended for non professional use only and not for commercial or industrial use.
20. Make sure the unit is adjusted to a stable position. Damage caused by using this product in an unstable position vibrations or shocks or by failure to follow any other warning or precaution contained within this user manual will not be covered by warranty.
21. Never remove the casing of this apparatus.
22. Never place this apparatus on other electrical equipment.
23. Do not allow children access to plastic bags.
24. Only use attachments/accessories specified by the manufacturer.
25. Refer all servicing to qualified service personnel. Servicing is required when the apparatus has been damaged in any way, such as the power supply cord or the plug, when liquid has been spilled or objects have fallen into the apparatus, when the apparatus has been exposed to rain or moisture, does not operate normally, or has been dropped.
26. Prolonged exposure to loud sounds from personal music players may lead to temporary or permanent hearing loss.
27. If the product is delivered with power cable or AC power adaptor:
  - If any trouble occur, disconnect the AC power card and refer servicing to qualified personnel.
  - To completely disconnect the power input, the mains plug of the apparatus shall be disconnected from the mains, as the disconnect device is the mains plug of apparatus.
  - Don't step on or pinch the power adaptor. Be very careful, particularly near the plugs and the cable's exit point. Do not place heavy items on the power adaptor, which may damage it. Keep the entire device out of children's reach! When playing with the power cable, they can seriously injure themselves.
  - Unplug this device during lightning storms or when unused for a long period.
  - The socket outlet must be installed near the equipment and must be easily accessible.
  - Do not overload ac outlets or extension cords. Overloading can cause fire or electric shock.
  - Devices with class 1 construction should be connected to a main socket outlet with a protective earthed connection.
  - Devices with class 2 construction do not require a earthed connection.
  - Always hold the plug when pulling it out of the main supply socket. Do not pull the power cord. This can cause a short circuit.
  - Do not use a damaged power cord or plug or a loose outlet. Doing so may result in fire or electric shock.
28. If the product contains or is delivered with a remote control containing coin/cell batteries:  
Warning:
  - "Do not ingest battery, Chemical Burn Hazard" or equivalent warning.
  - [The remote control supplied with] This product contains a coin/button cell battery is swallowed, it can cause severe internal burns in just 2 hours and can lead to death.
  - Keep new and used batteries away from children.
  - If the battery compartment does not close securely, stop using the product and keep it away from children.
  - If you think batteries might have been swallowed or placed inside any part of the body, seek immediate medical attention.
29. Caution about the use of Batteries:
  - Danger of explosion if battery is incorrectly replaced. Replace only with the same or equivalent type.
  - Battery cannot be subjected to high or low extreme temperatures, low air pressure at high altitude during use, storage or transportation.
  - Replacement of a battery with an incorrect type that can result in an explosion or the leakage of flammable liquid or gas.

- Disposal of a battery into fire or a hot oven, or mechanically crushing or cutting of a battery, that can result in an explosion.
- Leaving a battery in an extremely high temperature surrounding environment that can result in an explosion or that leakage of flammable liquid or gas.
- A battery subjected to extremely low air pressure that may result in an explosion or the leakage of flammable liquid or gas.
- Attention should be drawn to the environmental aspects of battery disposal.

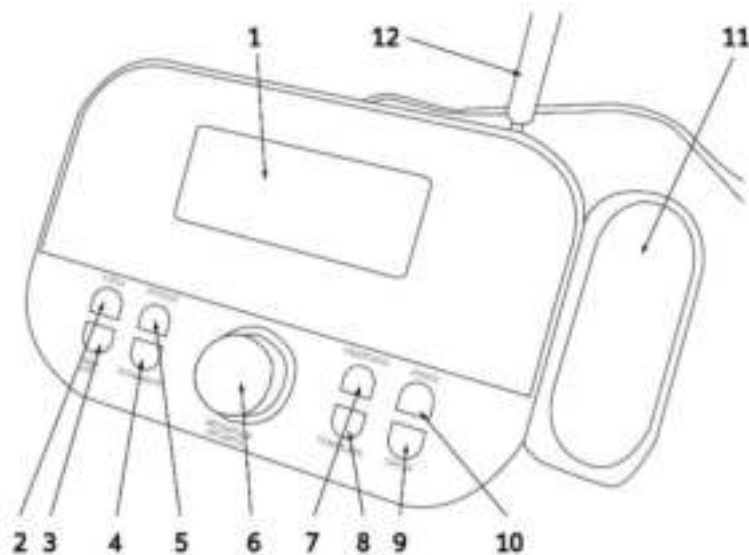
**Accessories:**

User manual



Power supply





### Command

- |                                      |  |
|--------------------------------------|--|
| 1. Display                           | 8. "P-/TUNE-" button                                     |
| 2. "DIMMER" button                   | 9. "Projection ON/OFF" button                            |
| 3. "⏻/MODE" button                   | 10. "180° FLIP" button                                   |
| 4. "PRESET SCAN" button              | 11. Projector  |
| 5. "MENU/INFO" button                | 12. Antenna (Extend and reposition for better reception) |
| 6. "VOLUME/SCROLL/ENTER/SNOOZE" dial | 13. DC-IN jack (not shown)                               |
| 7. "P+/TUNE+" button                 | 14. Headphone jack (not shown)                           |

## Getting Started

Insert the plug of the supplied power adapter into the power supply socket (13) and connect the power supply to a 110-230V ~ 50/60Hz power socket.

### OPERATION

#### Power On/Standby:


1. Press "⏻/MODE" button to power on the unit.
2. Press and hold for 2 seconds "⏻/MODE" button to put the unit in Stand-by mode (the display shows time and date).

#### Volume adjustment

Turn the "VOLUME/SCROLL/ENTER/SNOOZE" dial (6) to increase or decrease the volume.

#### Time Setting

The time will be set automatically by turning on the device in DAB mode, if you want to set it manually:

1. Press “/MODE” button to switch on the radio.
2. Hold down the “MENU/INFO” button (5) for 2 seconds.
3. Turn the “VOLUME/SCROLL/ENTER/SNOOZE” dial (6) and select “System”, press the “VOLUME/SCROLL/ENTER/SNOOZE” dial (6) to select it.
4. Turn the “VOLUME/SCROLL/ENTER/SNOOZE” dial (6) and select “Time”, press the “VOLUME/SCROLL/ENTER/SNOOZE” dial (6) to select it.
5. Turn the “VOLUME/SCROLL/ENTER/SNOOZE” dial (6) and select “Set Time/Date”, press the VOLUME/SCROLL knob (6) to select it.
6. Turn the “VOLUME/SCROLL/ENTER/SNOOZE” dial (6) to adjust the hour and press the “VOLUME/SCROLL/ENTER/SNOOZE” dial (6) to confirm it and go to setting the minutes.
7. Also adjust the date using the “VOLUME/SCROLL/ENTER/SNOOZE” dial (6).


### **Setting Alarm**

To set alarm 1 or 2, follow the next steps:

1. In clock mode (Stand-by), press and hold for 2 seconds “MENU/INFO” button (5), select “System” and press the “VOLUME/SCROLL/ENTER/SNOOZE” dial (6) to confirm.
2. Turn the “VOLUME/SCROLL/ENTER/SNOOZE” dial (6) and select the “Alarm” item, press it to select it.
3. Turn the “VOLUME/SCROLL/ENTER/SNOOZE” dial (6) and select “Alarm 1” or “Alarm 2”, press it to confirm.
4. Turn the “VOLUME/SCROLL/ENTER/SNOOZE” dial (6) to adjust the hour and press it to confirm it and move on to the minute setting.
5. Turn the “VOLUME/SCROLL/ENTER/SNOOZE” dial (6) to adjust the duration and press to confirm.
6. Turn the “VOLUME/SCROLL/ENTER/SNOOZE” dial (6) to select the ringtone type (FM, DAB or BUZZER) and press it to confirm it.
7. Turn the “VOLUME/SCROLL/ENTER/SNOOZE” dial (6) to select the frequency (once, daily, weekly, weekend only) and press it to confirm.
8. Turn the “VOLUME/SCROLL/ENTER/SNOOZE” dial (6) to adjust the start date and press to confirm it.
9. Turn the “VOLUME/SCROLL/ENTER/SNOOZE” dial (6) to adjust the volume and press it to confirm.
10. Rotate the “VOLUME/SCROLL/ENTER/SNOOZE” dial (6) to activate or deactivate the alarm and press it to confirm.

Once the alarm is activated, the bell symbol will appear on the display with the number 1 for the first alarm and number 2 for the second alarm.

### **Turn off the alarm**

To stop the alarm completely (ringtone or radio) press “/MODE” button (1).

To temporarily stop the alarm sound, press the “VOLUME/SCROLL/ENTER/SNOOZE” dial (6), the interruption lasts 9 minutes, after which the alarm goes back on.

## DAB/DAB+ Radio

### Automatic Station Memory

1. Adjust the antenna extension and the angle to get the best reception.
2. Press and hold the PRESET SCAN button (4) for a few seconds to start the automatic scan of the DAB stations. During the scan, the display will show the progress bar and the number of stored stations.
3. Hold down the "P+/TUNE+" button (7) or "P-/TUNE-" button (8) for a few seconds, turn the "VOLUME/SCROLL/ENTER/SNOOZE" dial (6) to select the desired station; press the "VOLUME/SCROLL/ENTER/SNOOZE" dial (6) to confirm and start listening to the station.

#### Note:

- It may be necessary to wait a few seconds for the unit to tune to the new channel.
- In DAB mode the date and time of the device are synchronized with those of the station being listened to.

### Manual Scan

1. Hold down the "MENU/INFO" button (5) for 2 seconds.
2. Turn the "VOLUME/SCROLL/ENTER/SNOOZE" dial (6) and select the "Manual Tune" item, press the "VOLUME/SCROLL/ENTER/SNOOZE" dial (6) to select it.
3. Turn the "VOLUME/SCROLL/ENTER/SNOOZE" dial (6) to select the desired channel (5A-13F), press the "VOLUME/SCROLL/ENTER/SNOOZE" dial (6) to select it.

Note: Up to 30 stations can be stored. A stored frequency can be erased from the memory by storing another frequency in its place.

### DAB/DAB+ information

In DAB function press the "MENU/INFO" button (5) repeatedly to change the information displayed:

#### Top line:

station channel and frequency for the current station will be shown on the top line.

#### Bottom line:

- a. Scrolling text broadcast by most DAB stations
- b. DAB ensemble
- c. Type of content being broadcast. E.g. Sport, Pop music.
- d. DAB Station name
- e. DAB frequency
- f. Signal error
- g. 80kbps/DAB



## DAB/DAB+ Menu

1. In DAB mode, hold down the "MENU/INFO" button (5) for a few seconds.
2. Turn the "VOLUME/SCROLL/ENTER/SNOOZE" dial (6) to select the desired item from: Full Scan, Manual tune, DRC, Prune, TA, System.
3. Press the "VOLUME/SCROLL/ENTER/SNOOZE" dial (6) to select the desired item and enter its settings.
  - A) Full Scan – Automatically scan DAB+ stations
  - B) Preset Recall - select a radio station from those stored.
  - C) Preset Store - allows you to store a station.
  - D) Manual Tune – manual tune
  - E) DRC – off, low, high. When activated, DRC reduces the volume of louder sounds and boosts the volume of quieter sounds. Good when you listen at low volume.
  - F) Prune – yes, no. when activated, the stations with no signal will not be shown anymore on the display.
  - G) TA - On, Off. This function is traffic info.
  - H) System –
    1. Sleep – off, 15, 30, 45, 60, 90 (minutes)
    2. Alarm - To set Alarm 1 and Alarm 2.
    3. Time:
      - Set Time/Date
      - Auto update - Automatic update of date and time from source or Off. It is advisable to keep it set to "Update from DAB" to avoid continuous time shifts.
      - Set 12/24 hour - Set AM/PM or 24-hour.
      - Set date format - DD MM YYYY, MM DD YYYY
    4. Language – English, Deutsch, Italiano, Francais, Nederlands, Espanol, Dansk, Portugese.
    5. factory reset – No or Yes
    6. SW version

## FM Radio

### Automatic Station Memory

1. Press and hold for 3 seconds "PRESET SCAN" button (4) to start scanning and automatic preset of the stations.
2. At the end of the scan, use the "P+/TUNE+" button (7) or "P-/TUNE-" button (8) to select a memorized radio station.

Note: The automatic scan sensitivity is adjustable by Menu.

### Manual search and storage:

1. Press and hold the "P+/TUNE+" button (7) or "P-/TUNE-" button (8) for a few seconds to tune in to the next or previous radio station.
2. To store a radio station:
  - Move to the frequency to be stored and press the "PRESET SCAN" button (4).
  - Turn the "VOLUME/SCROLL/ENTER/SNOOZE" dial (6) to select the number where to store the station.
  - Press the "VOLUME/SCROLL/ENTER/SNOOZE" dial (6) to confirm.

## **FM broadcast information**

Press MENU/INFO (5) button to view:

Top line:

Station name, reception type.

Bottom line:

- a. Information (provided by the radio station).
- b. information relating to the type of program broadcast.
- c. Frequency.
- d. Stereo/mono.
- e. Time.
- f. Date.

## **FM Menu**

1. In FM mode, hold down the "MENU/INFO" button (5) for a few seconds.
2. Turn the "VOLUME/SCROLL/ENTER/SNOOZE" dial (6) to select the desired item from: Preset Recall, Preset Store, Scan Setting, Audio setting, System.
3. Press the "VOLUME/SCROLL/ENTER/SNOOZE" dial (6) to select the desired item and enter its settings.
  - A) Scan setting
    1. All Stations
    2. Strong Stations
  - B) Audio setting
    1. Stereo Allowed
    2. Forced Mono
  - C) System
    1. Sleep – Choose between OFF, 15, 30, 45, 60, 90 minutes
    2. Alarm - To set Alarm 1 and Alarm 2.
    3. Time:
      - Set Time/date
      - Auto update - Automatic update of date and time from source or Off. It is advisable to keep it set to "Update from DAB" to avoid continuous time shifts.
      - Set 12/24 hour - Set AM/PM or 24-hour.
      - Set date format - DD MM YYYY, MM DD YYYY
4. Language – English, Deutsch, Italiano, Francais, Nederlands, Espanol, Dansk, Portugese.
5. Factory reset – No or Yes
6. SW version

## **Projection**

### **Power ON/OFF and adjustment**

1. Press the "Projection ON/OFF" button (9) to switch on the projection.
2. Press the "180° FLIP" button (10) to rotate the projection 180° if necessary.
3. Press the "Projection ON/OFF" button (9) to switch off the projection.

### **Dimmer**

Press the DIMMER button (2) several times to change the display light.

## Technical Specifications

Connections	DC, 3,5mm Headphone-Out, Antenna
Input	100-240VAC – 50/60Hz
Output	5V/1.0A
Output Power	1W
Power consumption	Max 5W
FM band reception	87.5 – 108 MHz
DAB/DAB+ band reception	174.928 – 239.200 MHz
Operating temperature	0 degree to 35 degree
Dimension Unit	181 x 95 x 85mm (Main Device)
Weight	340gr. (Main Device)

Power Supplier Adaptor (For EU only)

Manufacturer: DongGuan Obelieve Electronics Co., Ltd

Model Number: OBL-0501000E

Use only original AC adaptor

Use only the power supply listed in the user manual

## Guarantee

Lenco offers service and warranty in accordance to European law, which means that in case of repairs (both during and after the warranty period) you should contact your local dealer.

Important note: It is not possible to send products that need repairs to Lenco directly.

Important note: If this unit is opened or accessed by a non-official service center in any way, the warranty expires.

This device is not suitable for professional use. In case of professional use, all warranty obligations of the manufacturer will be voided.

## Disclaimer

Updates to Firmware and/or hardware components are made regularly. Therefore some of the instruction, specifications and pictures in this documentation may differ slightly from your particular situation. All items described in this guide for illustration purposes only and may not apply to particular situation. No legal right or entitlements may be obtained from the description made in this manual.

## Disposal of the Old Device



This symbol indicates that the relevant electrical product or battery should not be disposed of as general household waste in Europe. To ensure the correct waste treatment of the product and battery, please dispose them in accordance to any applicable local laws of requirement for disposal of electrical equipment or batteries. In so doing, you will help to conserve natural resources and improve standards of environmental protection in treatment and disposal of electrical waste (Waste Electrical and Electronic Equipment Directive).

## CE Marking

Hereby, Lenco Benelux B.V., Thermiekstraat 1a, 6361 HB Nuth, The Netherlands, declares that this product is in compliance with the essential EU directive requirements.

The declaration of conformity may be consulted via [techdoc@commaxxgroup.com](mailto:techdoc@commaxxgroup.com)



## Service

For more information and helpdesk support, please visit [www.lenco.com](http://www.lenco.com)  
Lenco Benelux BV, Thermiekstraat 1a, 6361 HB Nuth, The Netherlands.

**LET OP:**

Gebruik van bedieningen of afstellingen of uitvoer van procedures anders dan gespecificeerd in deze documentatie kan leiden tot blootstelling aan schadelijke straling.

**VOORZORGSMAATREGELEN VOOR GEBRUIK**

---

**ONTHOUD DE VOLGENDE INSTRUCTIES:**

1. Bedek of blokkeer de ventilatieopeningen niet. Wanneer u het apparaat op een schap plaatst, dient u 5 cm (2") vrije ruimte rondom het gehele apparaat te behouden.
2. Installeer het product volgens de meegeleverde gebruikershandleiding.
3. Houd het apparaat uit de buurt van hittebronnen, zoals radiatoren, verwarmingen, kachels, kaarsen en andere hittegenererende producten of open vuur. Het apparaat kan alleen worden gebruikt in gematigde klimaten. Extreem koude of warme omgevingen dienen te worden vermeden. Bedrijfstemperatuur tussen 0° en 35° C.
4. Gebruik dit apparaat niet in de buurt van krachtige magnetische velden.
5. Elektrostatische ontlading kan normaal gebruik van dit apparaat verstoren. U hoeft het apparaat in dit geval slechts te resetten en opnieuw op te starten volgens de gebruikershandleiding. Wees voorzichtig tijdens bestandsoverdracht en gebruik het product in een omgeving zonder statische interferentie.
6. Waarschuwing! Steek nooit een voorwerp via de ventilatie- of andere openingen in het product. Er is hoogspanning in het product aanwezig en als u er een object insteekt, kan dat een elektrische schok veroorzaken en/of kortsluiting in de interne onderdelen. Mors om dezelfde reden geen water of vloeistof op het product.
7. Gebruik het toestel niet in vochtige ruimtes, zoals badkamers, stomende keukens of in de buurt van zwembaden.
8. Het apparaat mag niet worden blootgesteld aan druppels of spatten en zorg ervoor dat er geen met vloeistof gevulde voorwerpen, zoals vazen, op of nabij het apparaat zijn geplaatst.
9. Gebruik dit apparaat niet wanneer condensatie kan optreden. Wanneer het apparaat in een warme en vochtige kamer wordt gebruikt, dan kunnen er waterdruppeltjes of condensatie binnenin het apparaat worden gevormd waardoor het apparaat mogelijk niet meer goed werkt; houd het apparaat 1 of 2 uur op UIT staan voordat u de voeding weer inschakelt: het apparaat dient droog te zijn voordat deze stroom ontvangt.
10. Alhoewel dit apparaat met grote zorg gefabriceerd en verschillende keren geïnspecteerd is voordat het de fabriek verlaat, is het nog steeds mogelijk dat er problemen optreden, zoals met alle elektrische apparaten. Als u rook, een overmatige hitteontwikkeling of enig ander onverwacht verschijnsel opmerkt, moet u onmiddellijk de stekker van het netsnoer uit het stopcontact halen.
11. Dit apparaat moet werken op een voedingsbron, zoals aangegeven op het specificatieplaatje. Als u twijfelt over het type voeding dat gebruikt wordt in uw huis, raadpleeg dan uw dealer of plaatselijk energiebedrijf.
12. Houd het uit de buurt van knaagdieren. Knaagdieren knauwen graag aan voedingskabels.
13. Gebruik een zacht, droog doekje om het apparaat te reinigen. Gebruik geen oplosmiddelen of op benzine gebaseerde vloeistoffen. U kunt een vochtig doekje met verdund schoonmaakmiddel gebruiken om hardnekkige vlekken te verwijderen.
14. De leverancier is niet verantwoordelijk voor schade of verloren gegevens veroorzaakt door storing, misbruik, modificatie van het apparaat of batterijvervanging.
15. Onderbreek nooit de verbinding wanneer het apparaat formatteert of bestanden overdraagt. De gegevens kunnen anders corrupt of verloren raken.
16. Indien het apparaat een USB-afspeelfunctie heeft, moet de USB-geheugenstick rechtstreeks op het apparaat worden aangesloten. Gebruik geen USB-verlengkabel, omdat die kan leiden tot storingen met foutieve gegevens als gevolg.

17. Het nominale specificatielabel is te vinden op het paneel aan de onder- of achterkant van het apparaat.
18. Dit apparaat is niet bestemd voor gebruik door mensen (inclusief kinderen) met fysieke, zintuiglijke of geestelijke gebreken of gebrek aan kennis en ervaring, tenzij zij onder toezicht staan of instructies hebben over het juiste gebruik van het apparaat hebben gekregen van de persoon die verantwoordelijk is voor hun veiligheid.
19. Dit product is alleen voor niet-professioneel gebruik bedoeld en niet voor commercieel of industrieel gebruik.
20. Verzeker u ervan dat het apparaat in een stabiele positie staat opgesteld. Beschadigingen veroorzaakt door het gebruik van dit apparaat in een onstabiele positie, trillingen of schokken of door het niet opvolgen van andere waarschuwingen of voorzorgsmaatregelen beschreven in deze gebruikshandleiding worden niet gedekt door de garantie.
21. Verwijder nooit de behuizing van dit apparaat.
22. Plaats dit apparaat nooit op andere elektrische apparatuur.
23. Geef kinderen geen gelegenheid in aanraking met plastic zakken te komen.
24. Gebruik uitsluitend uitbreidingen/accessoires gespecificeerd door de fabrikant.
25. Laat alle reparaties over aan gekwalificeerd onderhoudspersoneel. Onderhoud is vereist als het toestel hoe dan ook is beschadigd, zoals bijvoorbeeld het netsnoer of de stekker, wanneer er vloeistof of een voorwerp in het apparaat is terechtgekomen, wanneer het apparaat is blootgesteld aan regen of vocht, als het niet normaal werkt of is gevallen.
26. Langdurige blootstelling aan luid geluid van persoonlijke muzikspelers kan leiden tot tijdelijke of permanente gehoorbeschadiging.
27. Als het product wordt geleverd met voedingskabel of AC-stroomadapter:
  - Als er problemen optreden, koppel de AC-voedingskaart dan los en laat reparaties over aan bevoegd personeel.
  - Om de verbinding met de stroomaansluiting volledig te verbreken, moet de stekker van het apparaat uit het stopcontact worden gehaald, omdat de stekker van het apparaat de hoofdschakelaar is.
  - Nooit op de stroomadapter stappen of deze indrukken. Wees voornamelijk voorzichtig in de buurt van de stekkers en het punt waar de kabel uit het apparaat komt. Plaats geen zware voorwerpen op de stroomadapter, om beschadiging ervan te voorkomen. Houd het gehele apparaat buiten bereik van kinderen! Wanneer kinderen met de voedingskabel spelen, kunnen zij ernstig letsel oplopen.
  - Haal de stekker uit het stopcontact tijdens onweer of wanneer u deze langere tijd niet gebruikt.
  - Het stopcontact moet in de buurt van de apparatuur zijn geïnstalleerd en eenvoudig te bereiken zijn.
  - Overbelast stopcontacten of verlengsnoeren niet. Overbelasting kan brand of een elektrische schok veroorzaken.
  - Apparaten met een Klasse 1 structuur dienen te worden aangesloten op een stopcontact met een beschermende aardverbinding.
  - Apparaten met een Klasse 2 structuur vereisen geen aardverbinding.
  - Houd altijd de stekker vast wanneer u deze uit het stopcontact trekt. Trek nooit aan de voedingskabel. Dit kan tot een kortsluiting leiden.
  - Gebruik nooit een beschadigde voedingskabel of stekker of een los stopcontact. Dit vormt namelijk een risico op brand of elektrische schokken.
28. Indien het product knoopcelbatterijen bevat of wordt geleverd met een afstandsbediening die knoopcelbatterijen bevat:

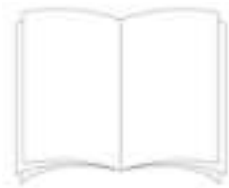
Waarschuwing:

  - "Batterij niet inslikken, chemisch brandgevaar" of gelijkwaardige werking.
  - [De meegeleverd afstandsbediening] Dit product bevat een knoopcelbatterij. Bij inslikking van de batterij kan dit in minder dan 2 uur tijd tot ernstige interne brandwonden en de dood leiden.
  - Houd nieuwe en gebruikte batterijen buiten bereik van kinderen.

- Als de batterijhouder niet goed kan worden gesloten, dient u het product niet meer te gebruiken en buiten bereik van kinderen te houden.
  - Als u denkt dat batterijen zijn ingeslikt of binnenin een willekeurig lichaamsdeel terecht zijn gekomen, dient u onmiddellijk medische hulp te zoeken.
29. Waarschuwing m.b.t. het gebruik van batterijen:
- Als de batterij onjuist wordt geplaatst, bestaat er explosiegevaar. Vervang de batterij alleen door een zelfde of vergelijkbare soort batterij.
  - Stel de batterij niet bloot aan extreem hoge of lage temperaturen of een lage luchtdruk op grote hoogte tijdens gebruik, opslag of transport.
  - Vervanging van een batterij door een incorrect type kan leiden tot een ontploffing of de lekkage van ontvlambare vloeistoffen of gas.
  - Verwijdering van een batterij in vuur of een hete oven of het mechanisch verpletteren of snijden van een batterij kan leiden tot een ontploffing.
  - Laat een batterij nooit achter in omgevingen met extreem hoge temperaturen, anders kan dit leiden tot een ontploffing of de lekkage van ontvlambare vloeistoffen of gas.
  - Stel een batterij nooit bloot aan een extreem lage luchtdruk, anders kan dit leiden tot een ontploffing of de lekkage van ontvlambare vloeistoffen of gas.
  - Aandacht voor het milieu is nodig bij het verwijderen van de batterijen.

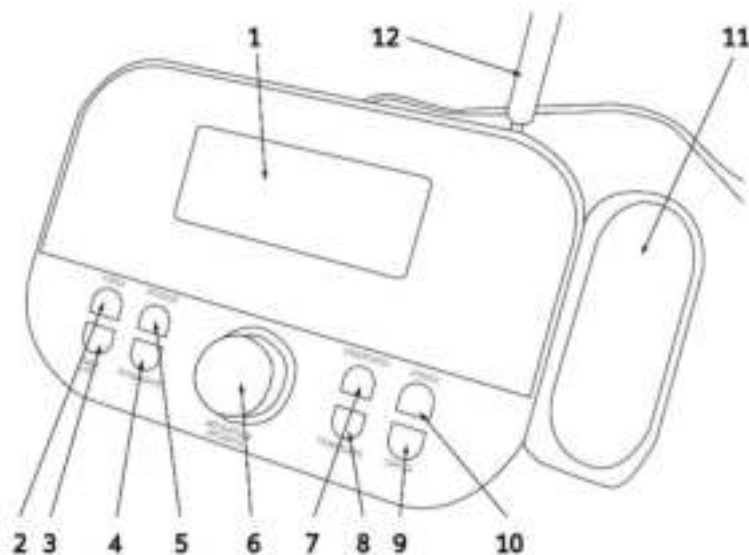
#### Accessoires:

Handleiding



Stroomvoorziening





## Bediening

- |   |   |
|---|---|
| 1. Weergave                                 | 8. "P-/TUNER-"-toets  |
| 2. "DIMMER"-toets                           | 9. "Projectie AAN/UIT"-toets                                    |
| 3. "⏻/MODUS"-toets                          | 10. "180° OMDRAAIEN"-toets                                      |
| 4. "VOORKEUZE SCAN"-toets                   | 11. Projector   |
| 5. "MENU/INFO"-toets                        | 12. Antenne (uittrekken en oriënteren voor<br>betere ontvangst) |
| 6. "VOLUME/SCROLLEN/ENTER/SLUIMER"-<br>knop | 13. DC-ingang (niet afgebeeld)                                  |
| 7. "P+/TUNER+"-toets                        | 14. Hoofdtelefoonuitgang (niet afgebeeld)                       |

## Aan de slag

Steek de stekker van de meegeleverde stroomadapter in de voedingsingang (13) en sluit de stroomadapter aan op een 110-230V ~ 50/60Hz stopcontact.

### WERKING

#### Inschakelen/stand-by:

1. Druk op de toets "⏻/MODE" om het apparaat in te schakelen.
2. Houd de toets "⏻/MODE" 2 seconden ingedrukt om het apparaat op de stand-by-modus te schakelen (de display toont de tijd en datum).


#### Volumeregeling

Draai de knop "VOLUME/SCROLL/ENTER/SNOOZE" (6) om het volume te verhogen of verlagen.

#### Instellen van de tijd

De tijd zal automatisch worden ingesteld wanneer u het apparaat instelt op de DAB-modus, maar u kunt de tijd als volgt ook handmatig instellen:



1. Druk op de toets “/MODE” om de radio in te schakelen.
2. Houd de toets “MENU/INFO” (5) 2 seconden ingedrukt.
3. Draai de knop “VOLUME/SCROLL/ENTER/SNOOZE” (6) om “System” (Systeem) te selecteren en druk op de knop “VOLUME/SCROLL/ENTER/SNOOZE” (6) om te openen.
4. Draai de knop “VOLUME/SCROLL/ENTER/SNOOZE” (6) om “Time” (Tijd) te selecteren en draai de knop “VOLUME/SCROLL/ENTER/SNOOZE” (6) om te openen.
5. Draai de knop “VOLUME/SCROLL/ENTER/SNOOZE” (6) om “Set Time/Date” (Tijd/datum instellen) te selecteren en druk op de knop VOLUME/SCROLL (6) om te openen.
6. Draai de knop “VOLUME/SCROLL/ENTER/SNOOZE” (6) om de uren aan te passen en druk vervolgens op de knop “VOLUME/SCROLL/ENTER/SNOOZE” (6) om te bevestigen en vervolgens de minuten in te stellen.
7. U kunt ook de datum instellen met de knop “VOLUME/SCROLL/ENTER/SNOOZE” (6).

### **Het alarm instellen**

Ga als volgt te werk om alarm 1 of 2 in te stellen:

1. Houd in de klokmodus (stand-by) de toets “MENU/INFO” (5) 2 seconden ingedrukt, selecteer “System” (Systeem) en druk ter bevestiging op de knop “VOLUME/SCROLL/ENTER/SNOOZE” (6).
2. Draai de knop “VOLUME/SCROLL/ENTER/SNOOZE” (6) om de optie “Alarm” te selecteren en druk de knop in om te openen.
3. Draai de knop “VOLUME/SCROLL/ENTER/SNOOZE” (6) om “Alarm 1” of “Alarm 2” te selecteren en druk de knop in om te bevestigen.
4. Draai de knop “VOLUME/SCROLL/ENTER/SNOOZE” (6) om de uren in te stellen en druk de knop in om te bevestigen en naar de minuutinstelling te gaan.
5. Draai de knop “VOLUME/SCROLL/ENTER/SNOOZE” (6) om de tijdsduur aan te passen en druk de knop in om te bevestigen.
6. Draai de knop “VOLUME/SCROLL/ENTER/SNOOZE” (6) om de geluidsbron te selecteren (FM, DAB of BUZZER) en druk de knop in om te bevestigen.
7. Draai de knop “VOLUME/SCROLL/ENTER/SNOOZE” (6) om de frequentie te selecteren (eenmaal, dagelijks, wekelijks, alleen weekend) en druk de knop in om te bevestigen.
8. Draai de knop “VOLUME/SCROLL/ENTER/SNOOZE” (6) om de startdatum in te stellen en druk de knop in om te bevestigen.
9. Draai de knop “VOLUME/SCROLL/ENTER/SNOOZE” (6) om het volume aan te passen en druk de knop in om te bevestigen.
10. Draai de knop “VOLUME/SCROLL/ENTER/SNOOZE” (6) om het alarm te activeren of deactiveren en druk de knop in om te bevestigen.

Nadat het alarm eenmaal is geactiveerd, zal er een belsymbooltje op de display verschijnen met het cijfer 1 voor het eerste alarm en het cijfer 2 voor het tweede alarm.

## Het alarm uitschakelen

Druk op de toets "⏻/MODE" (1) om het alarm volledig te stoppen (zoemer of radio).

U kunt het alarmgeluid ook tijdelijk stoppen door op de knop "VOLUME/SCROLL/ENTER/SNOOZE" (6) te drukken; deze onderbreking duurt 9 minuten waarna het alarm weer zal klinken.

## DAB-/DAB+-radio

Automatisch stationsgeheugen

1. Trek de antenne uit en pas de hoek aan voor een optimale ontvangst.
2. Houd de toets "PRESET SCAN" (4) enkele seconden ingedrukt om automatisch te beginnen met zoeken naar DAB-stations. De display zal tijdens de scan een voortgangsbalk tonen met het aantal opgeslagen stations.
3. Houd de toets "P+/TUNE+" (7) of "P-/TUNE-" (8) enkele seconden ingedrukt en draai de knop "VOLUME/SCROLL/ENTER/SNOOZE" (6) om het gewenste station te selecteren; druk ter bevestiging op de knop "VOLUME/SCROLL/ENTER/SNOOZE" (6) en luister naar het geselecteerde station.

Opmerking:

- Het kan enkele seconden duren voordat het apparaat zichzelf afstemt op een nieuw kanaal.
- De datum en tijd van het apparaat worden in de DAB-modus gesynchroniseerd met die van het station waar u naar luistert.

## Handmatige scan

1. Houd de toets "MENU/INFO" (5) 2 seconden ingedrukt.
2. Draai de knop "VOLUME/SCROLL/ENTER/SNOOZE" (6) om "Manual Tune" (Handmatig afstemmen) te selecteren en draai de knop "VOLUME/SCROLL/ENTER/SNOOZE" (6) om te openen.
3. Draai de knop "VOLUME/SCROLL/ENTER/SNOOZE" (6) om het gewenste kanaal te selecteren (5A-13F) en druk op de knop "VOLUME/SCROLL/ENTER/SNOOZE" (6) om te openen.

Opmerking: U kunt tot 30 opslaan. Een opgeslagen frequentie kan worden gewist uit het geheugen door een andere frequentie op dezelfde plaats op te slaan.

## DAB-/DAB+-informatie

Druk in de DAB-modus meerdere keren op de toets "MENU/INFO" (5) om de weergegeven informatie te doorlopen:

### Bovenste regel:

het stationskanaal en de frequentie van het huidige station zullen op de bovenste regel worden weergegeven.

**Onderste regel:**

- a. Scrollende tekst uitgezonden door de meeste DAB-stations
- b. DAB-ensemble
- c. Het type inhoud dat wordt uitgezonden. Bijv. sport, popmuziek, enz.
- d. DAB-stationsnaam
- e. DAB-frequentie
- f. Signaalfout
- g. 80kbps/DAB

**DAB-/DAB+-menu**

1. Houd in de DAB-modus de toets "MENU/INFO" (5) enkele seconden ingedrukt.
2. Draai de knop "VOLUME/SCROLL/ENTER/SNOOZE" (6) om de gewenste optie te kiezen uit: Full Scan (Volledige scan), Manual tune (Handmatig afstemmen), DRC, Prune (Opruimen), TA (Verkeersinformatie) of System (Systeem).
3. Druk op de knop "VOLUME/SCROLL/ENTER/SNOOZE" (6) om het gewenste onderwerp te selecteren en de instellingen ervan te openen.
  - A) Full Scan (Volledige scan) – automatisch DAB+-stations scannen
  - B) Preset Recall (Voorkeuze herroepen) - een opgeslagen radiostation selecteren
  - C) Preset Store (Voorkeuze opslaan) - u kunt hiemee een station opslaan
  - D) Manual Tune – handmatig afstemmen
  - E) DRC – uit, laag, hoog Wanneer u de DRC-functie activeert, dan worden luidere geluiden in volume verlaagd en zachtere geluiden in volume verhoogd. Dit is nuttig als u op een lage volume luistert.
  - F) Prune (Opruimen) – Yes (Ja), No (Nee). Wanneer geactiveerd, dan worden de stations zonder signaal niet meer weergegeven op de display.
  - G) TA - On (Aan), Off (Uit). Deze functie is de verkeersinformatie.
  - H) System (Systeem) –
    1. Slaap – uit, 15, 30, 45, 60, 90 (minuten)
    2. Alarm - Om Alarm 1 en Alarm 2 in te stellen.
    3. Tijd:
      - Tijd/datum instellen
      - Auto update - Automatische update van datum en tijd via bron of Uit. Het is raadzaam dit op "Update from DAB" (Update via DAB) te laten staan om continue tijdsverschuivingen te voorkomen.
      - 12/24 uur instellen – AM/PM of 24-uurs formaat instellen
      - Set date format (Datumformaat instellen) - DD MM JJJJ, MM DD JJJJ

4. Language (Taal) – English, Deutsch, Italiano, Francais, Nederlands, Espanol, Dansk, Portugese.
5. Factory reset (Fabrieksreset) – No (Nee) of Yes (Ja)
6. SW-versie

## FM-radio

### Automatisch stationsgeheugen

1. Houd de toets “PRESET SCAN” (4) 3 seconden ingedrukt om automatisch naar stations te zoeken en deze als voorkeuze op te slaan.
  2. Gebruik aan het einde van de scan de toets “P+/TUNE+” button (7) of “P-/TUNE-” button (8) om een opgeslagen radiostation te selecteren.
- Opmerking: De gevoeligheid van de automatische scan kan in het Menu worden aangepast.

### Handmatig zoeken en opslaan:

1. Houd de toets “P+/TUNE+” button (7) of “P-/TUNE-” button (8) enkele seconden ingedrukt om af te stemmen op het volgende of vorige radiostation.
2. Een radiostation opslaan:
  - Ga naar de frequentie die u wilt opslaan en druk op de toets “PRESET SCAN” (4).
  - Draai de knop “VOLUME/SCROLL/ENTER/SNOOZE” (6) om het nummer te selecteren waaronder u het station wilt opslaan.
  - Druk ter bevestiging op de knop “VOLUME/SCROLL/ENTER/SNOOZE” (6).

### Uitgezonden FM-informatie

Druk op MENU/INFO (5) om het volgende te bekijken:

Bovenste regel:

Stationsnaam, ontvangsttype.

Onderste regel:

- a. Informatie (verstrekt door het radiostation).
- b. informatie over het type programma dat wordt uitgezonden.
- c. Frequency (Frequentie)
- d. Stereo/mono.
- e. Tijd.
- f. Datum.

## FM Menu

1. Houd in de FM-modus de toets "MENU/INFO" (5) enkele seconden ingedrukt.
2. Draai de knop "VOLUME/SCROLL/ENTER/SNOOZE" (6) om de gewenste optie te kiezen uit: Preset Recall (Voorkeuze herroepen), Preset Store (Voorkeuze opslaan), Scan Setting (Scaninstelling), Audio setting (Audio-instelling), System (Systeem).
3. Druk op de knop "VOLUME/SCROLL/ENTER/SNOOZE" (6) om het gewenste onderwerp te selecteren en de instellingen ervan te openen.
  - A) Instelling zoeken
    1. Alle stations
    2. Krachtige stations
  - B) Audio-instelling
    1. Stereo toegestaan
    2. Geforceerd mono
  - C) Systeem
    1. Sleep (Slaap) – Kies uit UIT, 15, 30, 45, 60, 90 minuten
    2. Alarm - Om Alarm 1 en Alarm 2 in te stellen.
    3. Tijd:
      - Tijd/datum instellen
      - Auto update - Automatische update van datum en tijd via bron of Uit. Het is raadzaam dit op "Update from DAB" (Update via DAB) te laten staan om continue tijdsverschuivingen te voorkomen.
      - 12/24 uur instellen – AM/PM of 24-uurs formaat instellen
      - Set date format (Datumformaat instellen) - DD MM JJJJ, MM DD JJJJ
4. Language (Taal) – English, Deutsch, Italiano, Francais, Nederlands, Espanol, Dansk, Portugese.
5. Factory reset (Fabrieksreset) – No (Nee) of Yes (Ja)
6. SW-versie

## Projectie

### In-/uitschakelen en aanpassen

1. Druk op de toets "Projection ON/OFF" (9) om de projectie in te schakelen.
2. Druk op toets "180° FLIP" button (10) om de projectie eventueel 180° te draaien.
3. Druk op de toets "Projection ON/OFF" (9) om de projectie uit te schakelen.

### Dimmer

Druk meerdere keren op de toets "DIMMER" (2) om de helderheid van de display te veranderen.

## Technische specificaties

Aansluitingen	DC, 3,5mm Hoofdtelefoonuitgang, Antenne
Ingang	100-240VAC – 50/60Hz
Uitgang	5V/1,0A
Uitgang	1 W
Opgenomen vermogen	Max. 5W
Ontvangst FM-band	87,5 - 108 MHz
Ontvangst DAB-/DAB+-band	174,928 – 239,200 MHz
Werkings temperatuur	0 graden tot 35 graden
Afmetingen van apparaat	181 x 95 x 85 mm (hoofdapparaat)
Gewicht	340 gr. (hoofdapparaat)

Lichtnetadapter (alleen voor EU)

Fabrikant: DongGuan Obelieve Electronics Co., Ltd

Modelnummer: OBL-0501000E

Gebruik alleen de originele wisselstroomadapter

Gebruik uitsluitend de voeding vermeld in de gebruikshandleiding

## Garantie

Lenco biedt service en garantie aan overeenkomstig met de Europese wetgeving. Dit houdt in dat u, in het geval van reparaties (zowel tijdens als na de garantieperiode), uw lokale handelaar moet contacteren.

Belangrijke opmerking: Het is niet mogelijk om producten die moeten worden gerepareerd rechtstreeks naar Lenco te sturen.

Belangrijke opmerking: De garantie verloopt als een onofficieel servicecenter het apparaat op wat voor manier dan ook heeft geopend, of er toegang toe heeft gekregen.

Het apparaat is niet geschikt voor professioneel gebruik. In het geval van professioneel gebruik worden alle garantieverplichtingen van de fabrikant nietig verklaard.

## Disclaimer

Er worden regelmatig updates in de firmware en/of hardwarecomponenten gemaakt. Daardoor kunnen gedeelten van de instructie, de specificaties en afbeeldingen in deze documentatie enigszins verschillen van uw eigen situatie. Alle onderwerpen die staan beschreven in deze handleiding zijn bedoeld als illustratie en zijn niet van toepassing op specifieke situaties. Aan de beschrijving in dit document kunnen geen rechten worden ontleend.

## Afvoer van het oude apparaat



Dit symbool geeft aan dat het betreffende elektrische product of de accu/batterij niet mag worden verwijderd als algemeen huishoudelijk afval in Europa. Zorg voor een juiste afvalverwerking door het product en de accu/batterij in overeenstemming met alle van toepassing zijnde lokale wetten voor het verwijderen van elektrische apparatuur of accu's/batterijen te verwijderen. Als u dit doet, helpt u de natuurlijke bronnen te behouden en de standaard van milieubescherming te verbeteren bij de behandeling en verwijdering van elektrisch afval (Afgedankte Elektrische en Elektronische Apparatuur).

## CE-markering

Lenco Benelux B.V., Thermiekstraat 1a, 6361 HB Nuth, Nederland, verklaart hierbij dat dit product voldoet aan de vereisten van de essentiële EU-richtlijnen.

De verklaring van conformiteit kan worden aangevraagd via

[techdoc@commaxxgroup.com](mailto:techdoc@commaxxgroup.com)



## Service

Bezoek voor meer informatie en helpdeskondersteuning [www.lenco.com](http://www.lenco.com)

Lenco Benelux BV, Thermiekstraat 1a, 6361 HB Nuth, Nederland.

**ACHTUNG:**

Eine andere als die hier beschriebene Bedienung, Einstellung oder Verwendung der Funktionen kann zu gefährlicher Strahlenbelastung führen.

**VORSICHTSMASSNAHMEN VOR DER BENUTZUNG****BEFOLGEN SIE IMMER FOLGENDE ANWEISUNGEN:**

1. Blockieren oder bedecken Sie keine Lüftungsöffnungen. Wenn Sie das Gerät auf ein Regal stellen, lassen Sie um das gesamte Gerät 5 cm (2") freien Platz.
2. Stellen Sie das Gerät entsprechend den Anweisungen der mitgelieferten Bedienungsanleitung auf.
3. Halten Sie das Gerät von Hitzequellen wie Radiatoren, Heizern, Öfen, Kerzen oder anderen hitzeerzeugenden Produkten oder offenen Flammen fern. Das Gerät darf nur bei gemäßigttem Klima verwendet werden. Sehr kalte oder heiße Umgebungen sind zu vermeiden. Die Betriebstemperatur liegt zwischen 0 °C und 35 °C.
4. Meiden Sie bei der Nutzung des Produkts die Nähe starker Magnetfelder.
5. Elektrostatische Entladungen können die normale Verwendung von diesem Gerät stören. Sollte dies geschehen, führen Sie einfach einen Reset aus und starten Sie dann das Gerät entsprechend den Anweisungen dieser Bedienungsanleitung neu. Gehen Sie besonders bei Datenübertragungen mit dem Gerät vorsichtig um und führen Sie diese nur in einer antielektrischen Umgebung aus.
6. Warnung! Niemals Gegenstände durch die Lüftungsschlitze oder Öffnungen in das Gerät stecken. In diesem Gerät fließt Hochspannung und das Hineinstecken von Gegenständen kann zu elektrischem Schock und/oder Kurzschluss interner elektrischer Bauteile führen. Aus dem gleichen Grund kein Wasser oder Flüssigkeiten in das Gerät geben.
7. Benutzen Sie das Gerät nicht in nasser oder feuchter Umgebung wie Bad, Dampfküche oder in der Nähe von Schwimmbecken.
8. Das Gerät darf weder Tropf- noch Spritzwasser ausgesetzt werden und es dürfen keine mit Flüssigkeit gefüllten Behälter wie z.B. Vasen auf das Gerät oder in der Nähe des Gerätes gestellt werden.
9. Benutzen Sie das Gerät nicht bei Kondensationsgefahr. Wenn Sie das Gerät in einem warmen feuchten Raum mit Dampf benutzen, dann können Wassertropfen oder Kondensation in das Gerät eindringen und u. U. zu Fehlfunktionen des Geräts führen. Schalten Sie in diesem Fall das Gerät für 1 – 2 Stunden aus, bevor Sie es erneut einschalten: Das Gerät sollte vollständig getrocknet sein, wenn Sie es wieder einschalten.
10. Obwohl dieses Gerät unter größter Sorgfalt und vor Auslieferung mehrmals überprüft wurde, können trotzdem wie bei jedem anderen elektrischen Gerät auch Probleme auftauchen. Trennen Sie das Gerät im Falle einer Rauchentwicklung, starker Hitzeentwicklung oder jeden anderen unnatürlichen Erscheinung sofort vom Netz.
11. Dieses Gerät ist durch eine Stromquelle wie auf dem Typenschild angegeben zu betreiben. Halten Sie bei Unsicherheiten über die Art Ihrer Stromversorgung in Ihrer Wohnung Rücksprache mit Ihrem Händler oder Ihrer Stromzuliefererfirma.
12. Halten Sie Nagetiere vom Gerät fern. Nagetiere lieben es, am Netzkabel zu nagen.
13. Benutzen Sie für die Reinigung ein weiches und trockenes Tuch. Benutzen Sie niemals Lösungsmittel oder Flüssigkeiten auf Ölbasis. Benutzen Sie zum Entfernen hartnäckiger Flecken ein feuchtes Tuch mit mildem Reinigungsmittel.
14. Der Hersteller haftet nicht für Schäden oder Verluste durch Fehlfunktion, Zweckentfremdung oder Modifikation des Geräts oder durch Wechseln der Batterien.
15. Unterbrechen Sie die Verbindung nicht während einer Formatierung oder einer Datenübertragung. Bei Unterbrechung drohen Datenverlust und Datenbeschädigung.

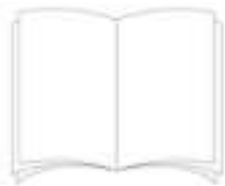


16. Wenn das Gerät eine USB-Wiedergabefunktion besitzt, dann stecken Sie den USB-Stick direkt in das Gerät. Verwenden Sie kein USB-Verlängerungskabel, weil die erhöhte Störanfälligkeit zu Datenverlust führen könnte.
17. Das Typenschild befindet sich an der Unter- oder Rückseite des Gerätes.
18. Dieses Gerät ist nicht zur Benutzung durch Personen (auch Kinder) mit physischen, sensorischen oder mentalen Beeinträchtigungen oder ohne ausreichender Erfahrung vorgesehen, es sei denn, sie werden durch eine verantwortliche Person beaufsichtigt oder wurden in die ordnungsgemäße Bedienung des Gerätes durch eine für ihre Sicherheit verantwortlichen Person eingewiesen.
19. Dieses Produkt ist nur für den nicht-professionellen Gebrauch und nicht für gewerbliche oder industrielle Zwecke bestimmt.
20. Stellen Sie sicher, dass das Gerät in einer stabilen Position aufgestellt ist. Schäden, die durch Verwendung dieses Produkts in einer instabilen Position, durch Vibrationen, Stöße oder Nichtbeachtung der anderen in diesem Handbuch enthaltenen Warnungen und Vorwarnungen entstehen, werden nicht durch die Garantie abgedeckt.
21. Entfernen Sie niemals das Gehäuse dieses Geräts.
22. Stellen Sie dieses Gerät niemals auf andere elektrische Geräte.
23. Halten Sie Kinder von den Plastiktüten fern.
24. Benutzen Sie nur vom Hersteller spezifizierte Erweiterungen/Zubehörteile.
25. Lassen Sie alle Eingriffe von qualifiziertem Servicepersonal ausführen. Eingriffe werden notwendig, wenn das Gerät in irgendeiner Weise beschädigt wurde, beispielsweise am Netzkabel oder am Netzstecker oder wenn Flüssigkeit in das Gerät gelangt ist bzw. Gegenstände in das Gerät gefallen sind, das Gerät Regen oder Feuchtigkeit ausgesetzt war, es heruntergefallen ist oder nicht ordnungsgemäß funktioniert.
26. Längeres Hören lauter Töne aus einem Musikgerät kann zum zeitweiligen oder permanenten Hörverlust führen.
27. Wenn zum Lieferumfang des Produkts ein Netzkabel oder ein Netzadapter gehört:
  - Wenn irgendwelche Probleme auftreten, dann trennen Sie das Gerät vom Stromnetz und setzen Sie sich anschließend mit einer qualifizierten Fachkraft in Verbindung.
  - Um das Gerät vollständig vom Netz zu trennen, muss der Netzstecker des Gerätes vom Stromnetz getrennt werden, wobei die zu trennende Einheit den Netzstecker des Gerätes bezeichnet.
  - Treten Sie nicht auf das Netzteil und klemmen Sie es auch nicht ein. Seien Sie im näheren Bereich des Steckers und der Herausführungen des Kabels besonders vorsichtig. Stellen Sie keine schweren Gegenstände auf das Netzteil, weil es dadurch beschädigt werden könnte. Halten Sie das gesamte Gerät außerhalb der Reichweite von Kindern! Durch Spielen mit dem Netzkabel können sie sich ernsthafte Verletzungen zuziehen.
  - Trennen Sie das Gerät während eines Gewitters oder bei längerer Nichtbenutzung vom Netz.
  - Die Wandsteckdose muss sich in der Nähe des Geräts befinden und einfach zu erreichen sein.
  - Steckdosen und Verlängerungsleitungen nicht überlasten. Eine Überlastung kann zu Brandgefahr bzw. Stromschlag führen.
  - Geräte der Schutzklasse 1 sind an eine Netzsteckdose mit Schutzleiter anzuschließen.
  - Geräte der Schutzklasse 2 benötigen keinen Schutzleiteranschluss.
  - Halten Sie den Netzstecker in der Hand, wenn Sie ihn aus der Netzsteckdose ziehen. Ziehen Sie ihn nicht durch Zerran am Kabel heraus. Das kann zu einem Kurzschluss führen.
  - Verwenden Sie weder ein beschädigtes Netzkabel noch einen beschädigten Stecker oder eine lockere Steckdose. Es besteht Brand- und Stromschlaggefahr.

28. Wenn das Produkt mit einer Fernbedienung mit Batterien/Knopfzellen geliefert wird oder das Produkt eine derartige Fernbedienung umfasst:  
Warnung:
- „Die Batterie nicht einnehmen, er besteht Verätzungsgefahr“.
  - [Bei mitgelieferter Fernbedienung] Wenn die Batterie/Knopfzelle verschluckt wird, dann kann dies in nur 2 Stunden zu schweren inneren Verätzungen führen, die zum Tod führen können.
  - Halten Sie neue und gebrauchte Batterien von Kindern fern.
  - Verwenden Sie dieses Produkt nicht weiter und halten Sie es von Kindern fern, wenn das Batteriefach nicht sicher schließt.
  - Suchen Sie umgehend ärztliche Hilfe auf, wenn Sie vermuten, dass Batterien verschluckt oder in Körperöffnungen eingeführt wurden.
29. Warnhinweise bzgl. der Verwendung von Batterien:
- Es besteht Explosionsgefahr, wenn die Batterien nicht korrekt eingelegt werden. Nur mit Batterien des gleichen oder entsprechenden Typs ersetzen.
  - Die Batterie darf während der Benutzung, Aufbewahrung oder des Transports weder sehr hohen oder sehr niedrigen Temperaturen noch niedrigem Luftdruck in großen Höhenlagen ausgesetzt werden.
  - Die Ersetzung der Batterie mit einem falschen Batterietyp kann zum Explodieren der Batterie oder dem Auslaufen von entflammbarem Gas oder entflammbarer Flüssigkeit aus der Batterie führen.
  - Die Entsorgung der Batterie in Feuer oder einem heißen Ofen oder das mechanische Zerkleinern oder Zerteilen der Batterie kann zu Explosionen führen.
  - Das Verbleiben der Batterie in einer Umgebung mit sehr hohen Temperaturen kann zum Explodieren der Batterie oder dem Auslaufen von entflammbarem Gas oder entflammbarer Flüssigkeit führen.
  - Eine einem sehr niedrigen Luftdruck ausgesetzte Batterie kann explodieren oder es kann aus einer einem sehr niedrigen Luftdruck ausgesetzten Batterie entflammbares Gas oder entflammbare Flüssigkeit auslaufen.
  - Augenmerk ist auf den ökologischen Aspekt der Batterieentsorgung zu legen.

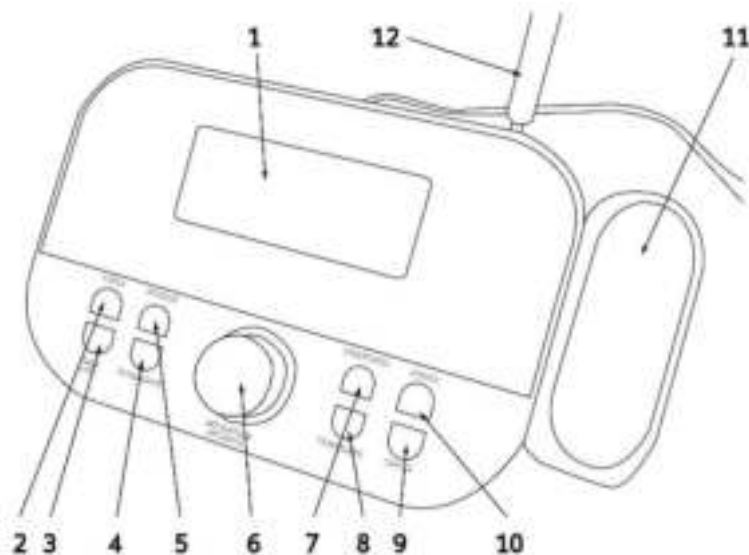
### Zubehör:

Bedienungsanleitung



Stromversorgung





### Bedienelement

- |  |   |
|--|---|
| 1. Anzeige   | 8. „P-/ABSTIMMEN“-Taste   |
| 2. „HELLIGKEITSREGELUNG“-Taste                           | 9. „Projektion EIN/AUS“-Taste                                     |
| 3. „/MODUS“-Taste  | 10. „180°-DREHEN“-Taste   |
| 4. „SENDERSUCHLAUF“-Taste                                | 11. Projektor   |
| 5. „MENÜ/INFORMATION“-Taste                              | 12. Antenne (für besseren Empfang<br>herausziehen und ausrichten) |
| 6. „LAUTSTÄRKE/SCROLLEN/ENTER/<br>SCHLUMMERN“-Drehregler | 13. DC-Stromversorgungsbuchse<br>(nicht abgebildet)               |
| 7. „P+/ABSTIMMEN+“-Taste                                 | 14. Kopfhörerbuchse<br>(nicht abgebildet)                         |

## Inbetriebnahme

Stecken Sie den Stecker des mitgelieferten Netzadapters in die DC-Stromversorgungsbuchse (13) und anschließend den Netzadapter in eine Netzsteckdose mit einer Spannung von 110 – 230 V~, 50/60 Hz.

### BEDIENUNG

#### Einschalten/Standby:


1. Drücken Sie die Taste „/MODE“, um das Gerät einzuschalten.
2. Halten Sie die Taste „/MODE“ 2 Sekunden lang gedrückt, um in den Standby-Modus (auf der Anzeige werden Datum und Uhrzeit angezeigt) zu wechseln.

#### Lautstärkeeinstellung

Drehen Sie den Drehregler „VOLUME/SCROLL/ENTER/SNOOZE“ (6), um die Lautstärke anzuheben oder zu verringern.

## **Zeiteinstellung**

Die Uhrzeit wird automatisch eingestellt, sobald Sie das Gerät einschalten und es in den DAB-Modus wechselt. Wenn Sie die Uhrzeit manuell einstellen möchten, dann gehen Sie wie nachstehend beschrieben vor.

1. Drücken Sie die Taste „/MODE“, um das Radio einzuschalten.
2. Halten Sie die Taste „MENU/INFO“ (5) 2 Sekunden lang gedrückt.
3. Wählen Sie durch Drehen des Drehreglers „VOLUME/SCROLL/ENTER/SNOOZE“ (6) „System“ (System) aus und drücken Sie danach zur Bestätigung Ihrer Auswahl den Drehregler „VOLUME/SCROLL/ENTER/SNOOZE“ (6).
4. Wählen Sie durch Drehen des Drehreglers „VOLUME/SCROLL/ENTER/SNOOZE“ (6) „Time“ (Uhrzeit) aus und drücken Sie danach zur Bestätigung Ihrer Auswahl den Drehregler „VOLUME/SCROLL/ENTER/SNOOZE“ (6).
5. Wählen Sie durch Drehen des Drehreglers „VOLUME/SCROLL/ENTER/SNOOZE“ (6) „Set Time/Date“ (Datum/Uhrzeit einstellen) aus und drücken Sie danach zur Bestätigung Ihrer Auswahl den Drehregler „VOLUME/SCROLL“ (6).
6. Stellen Sie durch Drehen des Drehreglers „VOLUME/SCROLL/ENTER/SNOOZE“ (6) die Stunden ein und drücken Sie danach zur Bestätigung Ihrer Einstellung den Drehregler „VOLUME/SCROLL/ENTER/SNOOZE“ (6). Anschließend gelangen Sie zur Einstellung der Minuten.
7. Stellen Sie auf gleiche Weise das Datum mit Hilfe des Drehreglers „VOLUME/SCROLL/ENTER/SNOOZE“ (6) ein.

## **Einstellen des Weckrufs**


Folgen Sie zum Einstellen des Weckrufs 1 oder 2 den nachstehenden Schritten:

1. Halten Sie im Uhrenmodus (Standby) 2 Sekunden lang die Taste „MENU/INFO“ (5) gedrückt und wählen Sie dann „System“ (System) aus. Bestätigen Sie Ihre Auswahl durch Drücken des Drehreglers „VOLUME/SCROLL/ENTER/SNOOZE“ (6).
2. Wählen Sie durch Drehen des Drehreglers „VOLUME/SCROLL/ENTER/SNOOZE“ (6) den Menüpunkt „Alarm“ (Weckruf) aus. Bestätigen Sie Ihre Auswahl durch Drücken dieses Drehreglers.
3. Wählen Sie durch Drehen des Drehreglers „VOLUME/SCROLL/ENTER/SNOOZE“ (6) „Alarm 1“ (Weckruf 1) oder „Alarm 2“ (Weckruf 2) aus. Bestätigen Sie Ihre Auswahl durch Drücken dieses Drehreglers.
4. Stellen Sie durch Drehen des Drehreglers „VOLUME/SCROLL/ENTER/SNOOZE“ (6) die Stunden ein und drücken Sie danach zur Bestätigung Ihrer Einstellung diesen Drehregler. Anschließend gelangen Sie zur Einstellung der Minuten.
5. Stellen Sie durch Drehen des Drehreglers „VOLUME/SCROLL/ENTER/SNOOZE“ (6) die Dauer ein und bestätigen Sie Ihre Einstellung durch Drücken dieses Drehreglers.

6. Wählen Sie durch Drehen des Drehreglers „VOLUME/SCROLL/ENTER/SNOOZE“ (6) den Weckklang (FM, DAB oder SUMMER) aus und bestätigen Sie Ihre Einstellung durch Drücken dieses Drehreglers.
7. Wählen Sie durch Drehen des Drehreglers „VOLUME/SCROLL/ENTER/SNOOZE“ (6) die Häufigkeit (Once (Einmal), Daily (Täglich), Weekly (Wöchentlich) oder Weekend only (Nur am Wochenende)) aus und bestätigen Sie Ihre Einstellung durch Drücken dieses Drehreglers.
8. Stellen Sie durch Drehen des Drehreglers „VOLUME/SCROLL/ENTER/SNOOZE“ (6) das Startdatum ein und bestätigen Sie Ihre Einstellung durch Drücken dieses Drehreglers.
9. Stellen Sie durch Drehen des Drehreglers „VOLUME/SCROLL/ENTER/SNOOZE“ (6) die Lautstärke ein und bestätigen Sie Ihre Einstellung durch Drücken dieses Drehreglers.
10. Aktivieren/Deaktivieren Sie den Weckruf durch Drehen des Drehreglers „VOLUME/SCROLL/ENTER/SNOOZE“ (6) und bestätigen Sie Ihre Einstellung durch Drücken dieses Drehreglers.

Wenn der Weckruf aktiviert ist, dann wird auf der Anzeige ein Glockensymbol zusammen mit der Ziffer 1 für den Weckruf 1 und/oder der Ziffer 2 für den Weckruf 2 angezeigt.

#### **Ausschalten des Alarms**

Drücken Sie zum vollständigen Ausschalten des Weckrufs (Summer oder Radio) die Taste „/MODE“ (1).

Drücken Sie zum vorübergehenden Ausschalten des Weckrufs den Drehregler „VOLUME/SCROLL/ENTER/SNOOZE“ (6). Der Weckruf verstummt, ertönt jedoch nach 9 Minuten erneut.

## **DAB/DAB+-Radio**

### **Automatische Radiosenderspeicherung**

1. Ziehen Sie die Teleskopantenne heraus und richten Sie sie anschließend für den besten Empfang aus.
2. Halten Sie die Taste „PRESET SCAN“ (4) einige Sekunden gedrückt, um den automatischen Scan nach DAB-Radiosendern zu starten. Während des Scannens wird auf der Anzeige ein Fortschrittsbalken zusammen mit der Anzahl der gespeicherten Radiosender angezeigt.
3. Halten Sie die Taste „P+/TUNE+“ (7) oder „P-/TUNE-“ (8) einige Sekunden gedrückt und drehen Sie anschließend den Drehregler „VOLUME/SCROLL/ENTER/SNOOZE“ (6), um den gewünschten Radiosender auszuwählen. Bestätigen Sie Ihre Auswahl durch Drücken des Drehreglers „VOLUME/SCROLL/ENTER/SNOOZE“ (6) und genießen Sie im Anschluss daran Ihren Radiosender.

Hinweis:

- Es kann einige Sekunden dauern, bis das Gerät den neuen Radiosender eingestellt hat.
- Im DAB-Modus werden Uhrzeit und Datum des Geräts mit der Uhrzeit und dem Datum des Radiosenders synchronisiert, den Sie anhören.

### **Manueller Suchlauf**

1. Halten Sie die Taste „MENU/INFO“ (5) 2 Sekunden lang gedrückt.
2. Wählen Sie durch Drehen des Drehreglers „VOLUME/SCROLL/ENTER/SNOOZE“ (6) den Menüpunkt „Manual Tune“ (Manuelles Abstimmen) aus und drücken Sie danach zur Bestätigung Ihrer Auswahl den Drehregler „VOLUME/SCROLL/ENTER/SNOOZE“ (6).
3. Wählen Sie durch Drehen des Drehreglers „VOLUME/SCROLL/ENTER/SNOOZE“ (6) den gewünschten Kanal (5A – 13F) aus und drücken Sie danach zur Bestätigung Ihrer Auswahl den Drehregler „VOLUME/SCROLL/ENTER/SNOOZE“ (6).

Hinweis: Sie können bis zu 30 Radiosender speichern. Eine gespeicherte Frequenz kann aus dem Speicher gelöscht werden, indem Sie mit einer anderen Frequenz überschrieben wird.

### **DAB/DAB+-Informationen**

Drücken Sie im DAB-Modus mehrmals die Taste „MENU/INFO“ (5), um die angezeigten Informationen zu wechseln:

#### **Obere Zeile:**

Kanal und Frequenz des gegenwärtig eingestellten Radiosenders werden auf der oberen Zeile angezeigt.

#### **Untere Zeile:**

- a. Der durch viele DAB-Radiosender ausgestrahlte Lauftext
- b. Das DAB-Ensemble
- c. Die Art des ausgestrahlten Inhaltes wie z. B. Sport, Popmusik usw.
- d. Name des DAB-Radiosenders
- e. DAB-Frequenz
- f. Signalfehler
- g. 80 kbps/DAB

### **DAB/DAB+-Menü**

1. Halten Sie im DAB-Modus die Taste „MENU/INFO“ (5) einige Sekunden lang gedrückt.
2. Wählen Sie durch Drehen des Drehregler „VOLUME/SCROLL/ENTER/SNOOZE“ (6) den gewünschten Menüpunkt aus den nachstehenden Menüpunkten aus: Full Scan (Vollständiger Scan), Manual Tune (Manuelles Abstimmen), DRC (Dynamikbereichkompression), Prune (Bereinigen), TA (Verkehrsinformation), System (System).
3. Drücken Sie den Drehregler „VOLUME/SCROLL/ENTER/SNOOZE“ (6), um zu den Einstellungen des ausgewählten Menüpunktes zu gelangen.

- A) Full Scan (Vollständiger Scan) – Automatischer Scan nach DAB+-Radiosendern.
- B) Preset Recall (Speicherplatz abrufen) – Auswahl eines auf einem Speicherplatz gespeicherten Radiosenders.
- C) Preset Store (Auf Speicherplatz speichern) – Speichern eines Radiosenders auf einem Speicherplatz.
- D) Manual Tune (Manuelles Abstimmen) – Manuelles Abstimmen eines Radiosenders.
- E) DRC (Dynamikbereichkompression) – Off (Aus), Low (Gering), High (Stark). Durch Aktivierung der Dynamikbereichkompression wird der Lautstärkepegel lauterer Klänge verringert und der Lautstärkepegel leiser Klänge angehoben. Ideal für das Anhören bei geringer Lautstärke.
- F) Prune (Bereinigen) – Yes (Ja), No (Nein); durch Aktivierung werden Radiosender ohne Signal nicht auf der Anzeige angezeigt.
- G) TA (Verkehrsinformation) – On (Ein), Off (Aus). Für den Empfang von Verkehrsdurchsagen.
- H) System (System) –
  1. Sleep (Schlafmodus) – Off (Aus), 15, 30, 45, 60, 90 (Minuten)
  2. Alarm (Weckruf) – Für das Einstellen von Weckruf 1 und 2.
  3. Time (Uhrzeit):
    - Set Time/Date (Uhrzeit/Datum einstellen)
    - Auto update (Autom. Aktualisierung) – Bei Aktivierung erfolgt eine automatische Aktualisierung von Uhrzeit und Datum über die Quelle. Es ist empfehlenswert, „Update from DAB“ (Aktualisierung über DAB) eingestellt zu lassen, um fortwährende Zeitverschiebungen zu vermeiden.
    - Set 12/24 hour (12/24-h-Anzeige einstellen) – Einstellen der AM/PM- oder 24-h-Anzeige.
    - Set date format (Datumsformat einstellen) – DD MM YYYY ( TT MM JJJ) oder MM DD YYYY (MM TT JJJ).
  4. Language (Sprache) – English, Deutsch, Italiano, Francais, Nederlands, Espanol, Dansk, Portugese.
  5. Factory Reset (Rücksetzen auf Werkseinstellung) – No (Nein) oder Yes (Ja)
  6. Softwareversion

## FM-Radio

### Automatische Radiosenderspeicherung

1. Halten Sie die Taste „PRESET SCAN“ (4) 3 Sekunden lang gedrückt, um den Sendersuchlauf zu starten und die gefundenen Radiosender automatisch auf den Speicherplätzen zu speichern.
2. Nach Beendigung des Sendersuchlaufes können Sie mit der Taste „P+/TUNE+“ (7) oder „P-/TUNE-“ (8) einen der abgespeicherten Radiosender auswählen.

Hinweis: Die Empfindlichkeit des Sendersuchlaufes können Sie über das Menü einstellen.

### Manuelle Suche und Speicherung:

1. Halten Sie die Taste „P+/TUNE+“ (7) oder „P-/TUNE-“ (8) einige Sekunden lang gedrückt, um den nächsten oder vorherigen Radiosender abzustimmen.
2. Um einen Radiosender zu speichern:
  - Gehen Sie zu der zu speichernden Frequenz und drücken Sie dann die Taste „PRESET SCAN“ (4).
  - Wählen Sie durch Drehen des Drehregler „VOLUME/SCROLL/ENTER/SNOOZE“ (6) den gewünschten Speicherplatz aus, auf dem der Radiosender gespeichert werden soll.
  - Drücken Sie zur Bestätigung Ihrer Auswahl den Drehregler „VOLUME/SCROLL/ENTER/SNOOZE“ (6).

### Informationen zur FM-Ausstrahlung

Drücken Sie die Taste MENU/INFO (5) zur Anzeige von:

Obere Zeile:

Name des Radiosenders, Empfangstyp.

Untere Zeile:

- a. Informationen (durch den Radiosender bereitgestellt).
- b. Informationen bzgl. der Art des ausgestrahlten Programms.
- c. Frequenz des Radiosenders
- d. Stereo/Mono.
- e. Uhrzeit.
- f. Datum.



## FM-Menü

1. Halten Sie im FM-Modus die Taste „MENU/INFO“ (5) einige Sekunden lang gedrückt.
2. Wählen Sie durch Drehen des Drehregler „VOLUME/SCROLL/ENTER/SNOOZE“ (6) den gewünschten Menüpunkt aus den nachstehenden Menüpunkten aus: Preset Recall (Speicherplatz abrufen), Preset Store (Speicherplatz speichern), Scan Setting (Suchlaufeinstellung), Audio Setting (Audioeinstellung) und System (System).
3. Drücken Sie den Drehregler „VOLUME/SCROLL/ENTER/SNOOZE“ (6), um zu den Einstellungen des ausgewählten Menüpunktes zu gelangen.
  - A) Suchlaufeinstellung
    1. All Stations (Alle Radiosender)
    2. Strong Stations (Sender mit starkem Signal)
  - B) Audioeinstellung
    1. Stereo Allowed (Stereo zulassen)
    2. Forced Mono (Mono erzwingen)
  - C) System
    1. Sleep (Schlafmodus) – Auswahl zwischen OFF (AUS), 15, 30, 45, 60, 90 Minuten
    2. Alarm (Weckruf) – Für das Einstellen von Weckruf 1 und 2.
    3. Time (Uhrzeit):
      - Set Time/Date (Uhrzeit/Datum einstellen)
      - Auto update (Autom. Aktualisierung) – Bei Aktivierung erfolgt eine automatische Aktualisierung von Uhrzeit und Datum über die Quelle. Es ist empfehlenswert, „Update from DAB“ (Aktualisierung über DAB) eingestellt zu lassen, um fortwährende Zeitverschiebungen zu vermeiden.
      - Set 12/24 hour (12/24-h-Anzeige einstellen) – Einstellen der AM/PM- oder 24-h-Anzeige.
      - Set date format (Datumsformat einstellen) – DD MM YYYY (TT MM JJJJ) oder MM DD YYYY (MM TT JJJJ).
4. Language (Sprache) – English, Deutsch, Italiano, Francais, Nederlands, Espanol, Dansk, Portugese.
5. Factory Reset (Rücksetzen auf Werkseinstellung) – No (Nein) oder Yes (Ja)
6. Softwareversion

## Projektion

### **Ein-/Ausschalten und Einstellen**

1. Drücken Sie die Taste „Projection ON/OFF“ (9), um die Projektion einzuschalten.
2. Drücken Sie bei Bedarf die Taste „180° FLIP“ (10), um die Projektion um 180° zu drehen.
3. Drücken Sie die Taste „Projection ON/OFF“ (9) erneut, um die Projektion auszuschalten.

### **Helligkeitsregler**

Drücken Sie mehrmals die Taste DIMMER (2), um die Helligkeit der Displaybeleuchtung zu ändern.

## Technische Daten

Anschlüsse	DC, 3,5-mm-Kopfhörerausgang, Antenne
Eingangsspannung	100 – 240 V AC – 50/60 Hz
Ausgangsspannung	5 V/1,0 A
Ausgangsleistung	1 W
Leistungsaufnahme	Max. 5 W
Empfangenes FM-Band	87,5 – 108 MHz
Empfangenes DAB/DAB+-Band	174,928 – 239,200 MHz
Betriebs temperatur	0 Grad bis 35 Grad
Geräteabmessung	181 x 95 x 85 mm (Gerät)
Gewicht	340 g (Gerät)

Netzadapter (nur für EU)

Hersteller: DongGuan Obelieve Electronics Co., Ltd

Modellnummer: OBL-0501000E

Benutzen Sie nur den original mitgelieferten Netzadapter

Benutzen Sie nur das in der Bedienungsanleitung angegebene Netzteil.

## Garantie

Lenco bietet Leistungen und Garantien im Einklang mit Europäischem Recht. Setzen Sie sich deshalb im Falle von Reparaturen (sowohl während als auch nach Ablauf der Garantiezeit) mit Ihrem Fachhändler in Verbindung.

Wichtiger Hinweis: Es ist nicht möglich, Produkte für Reparaturen direkt an Lenco zu schicken.

Wichtiger Hinweis: Wenn dieses Gerät für welchen Grund auch immer durch ein nicht offizielles Service-Center geöffnet wurde oder durch dieses Service-Center darauf zugegriffen wurde, erlischt die Garantie.

Dieses Gerät ist nicht für professionelle Zwecke geeignet. Falls das Gerät für professionelle Zwecke eingesetzt wird, erlöschen alle Garantieverpflichtungen seitens des Herstellers.

## Haftungsausschluss

Aktualisierungen der Firmware und/oder Hardware-Komponenten werden regelmäßig durchgeführt. Aus diesem Grund können einige der Anleitungen, Spezifikationen und Abbildungen in dieser Dokumentation zu dem Ihnen vorliegendem Gerät leicht abweichen. Alle in diesem Handbuch beschriebenen Elemente dienen nur zur Illustration und treffen auf Ihre individuelle Situation möglicherweise nicht zu. Aus der in diesem Handbuch getätigten Beschreibung können keine Rechtsansprüche oder Leistungsanforderungen geltend gemacht werden.

## Entsorgung des Altgeräts



Dieses Symbol zeigt an, dass das entsprechende Produkt oder dessen Akku/Batterie in Europa nicht mit dem normalen Hausmüll entsorgt werden darf. Um die ordnungsgemäße Abfallbehandlung des Produkts und dessen Akku/Batterie zu gewährleisten, müssen diese im Einklang mit allen anwendbaren örtlichen Vorschriften zur Entsorgung von Elektrogeräten und Akkus/Batterien entsorgt werden. Dabei helfen Sie, natürliche Ressourcen zu schonen und Umweltschutzstandards zur Verwertung und Entsorgung von Altgeräten aufrecht zu halten (Richtlinie über Entsorgung Elektrischer und Elektronischer Altgeräte).

## CE-Kennzeichen

Hiermit erklärt Lenco Benelux B.V., Thermiekstraat 1a, 6361 HB Nuth, The Netherlands, dass dieses Produkt den grundsätzlichen Anforderungen der EU-Richtlinie entspricht.

Die Konformitätserklärung kann unter folgendem Link abgerufen werden:

[techdoc@commaxxgroup.com](mailto:techdoc@commaxxgroup.com)



## Service

Besuchen Sie bitte für weitere Informationen und unseren Kundendienst unsere Homepage [www.lenco.com](http://www.lenco.com)

Lenco Benelux BV, Thermiekstraat 1a, 6361 HB Nuth, Die Niederlande.

**ATTENTION :**

L'utilisation de commandes ou de réglages ou l'exécution de procédures autres que celles spécifiées dans ce manuel peut entraîner une exposition à des rayonnements dangereux.

**PRÉCAUTIONS AVANT UTILISATION**

---

**GARDEZ CES INSTRUCTIONS À L'ESPRIT :**

1. Ne couvrez pas et n'obturez pas les ouvertures de ventilation. Lorsque vous placez l'appareil sur une étagère, laissez 5 cm (2") d'espace libre tout autour de l'appareil.
2. Installez-le conformément au mode d'emploi fourni.
3. Gardez l'appareil à l'écart des sources de chaleur telles que des radiateurs, appareils de chauffage, fours, bougies et autres produits générant de la chaleur ou une flamme nue. L'appareil ne peut être utilisé que dans des climats modérés. Les environnements extrêmement froids ou chauds doivent être évités. Température de fonctionnement entre 0° et 35° C.
4. Évitez d'utiliser l'appareil à proximité de champs magnétiques puissants.
5. Des décharges électrostatiques peuvent perturber le fonctionnement de cet appareil. Dans ce cas, il suffit de réinitialiser et de redémarrer l'appareil en suivant le mode d'emploi. Pendant le transfert de fichiers, manipulez l'appareil avec précaution et faites-le fonctionner dans un environnement sans électricité statique.
6. Mise en garde ! N'introduisez jamais un objet dans l'appareil par les ouvertures et les fentes de ventilation. Étant donné que des tensions élevées sont présentes à l'intérieur du produit, l'insertion d'un objet peut entraîner une électrocution et/ou court-circuiter les composants internes. Pour les mêmes raisons, ne versez pas de l'eau ou un liquide sur le produit.
7. Ne l'utilisez pas dans des endroits humides tels qu'une salle de bain, une cuisine pleine de vapeur ou à proximité d'une piscine.
8. L'appareil ne doit pas être exposé à des écoulements ou des éclaboussures et aucun objet contenant un liquide, tel qu'un vase, ne doit être posé sur ou près de l'appareil.
9. N'utilisez pas cet appareil lorsque de la condensation est possible. Lorsque l'appareil est utilisé dans une pièce chaude et humide, des gouttelettes d'eau ou de la condensation peuvent se former à l'intérieur de l'appareil et affecter son fonctionnement adéquat. Si tel est le cas, laissez l'appareil hors tension pendant 1 ou 2 heures avant de le mettre en marche : l'appareil doit être sec avant toute remise en marche.
10. Bien que ce dispositif soit fabriqué avec le plus grand soin et contrôlé à plusieurs reprises avant de quitter l'usine, des problèmes peuvent néanmoins survenir, comme avec tous les appareils électriques. Si l'appareil émet de la fumée ou en cas d'accumulation excessive de la chaleur ou d'un phénomène inattendu, débranchez immédiatement la fiche d'alimentation du secteur.
11. Cet appareil doit fonctionner avec la source d'alimentation indiquée sur la plaque signalétique. Si vous n'êtes pas sûr du type d'alimentation utilisé chez vous, contactez votre revendeur ou le fournisseur local d'électricité.
12. Tenez l'appareil à l'abri des rongeurs. Les rongeurs aiment mordre les cordons d'alimentation.
13. Pour nettoyer l'appareil, servez-vous d'un chiffon doux et sec. N'utilisez pas de solvant ni d'autre liquide à base de pétrole. Pour enlever les taches importantes, vous pouvez vous servir d'un chiffon humide imbibé d'une solution de détergent diluée.
14. Le fournisseur n'est pas responsable des dommages ou pertes de données causés par un dysfonctionnement, une utilisation abusive, une modification de l'appareil ou un remplacement de la batterie.
15. N'interrompez pas la connexion lorsque l'appareil formate ou transfère des fichiers. Dans le cas contraire, les données pourraient être endommagées ou perdues.

16. Si l'appareil a une fonction de lecture USB, il convient de brancher la clé USB directement sur l'appareil. N'utilisez pas de rallonge USB, car cela peut causer des interférences provoquant une perte de données.
17. La plaque signalétique se situe en dessous ou à l'arrière de l'appareil.
18. Cet appareil ne doit pas être utilisé par des personnes (enfants compris) souffrant de handicaps physiques, sensoriels ou mentaux, ou manquant d'expérience et de connaissances, sauf si elles sont sous surveillance ou ont reçu des instructions sur l'utilisation correcte de l'appareil par la personne qui est responsable de leur sécurité.
19. Ce produit est conçu pour un usage non professionnel, et non commercial ou industriel.
20. Vérifiez que l'appareil est en position stable. La garantie ne couvre pas les dégâts occasionnés par l'utilisation de cet appareil en position instable, par les vibrations, les chocs ou par la non-observation de tout autre avertissement ou précaution contenus dans ce mode d'emploi.
21. Ne retirez jamais le boîtier de l'appareil.
22. Ne placez jamais cet appareil sur un autre appareil électrique.
23. Ne laissez pas les sacs en plastique à la portée des enfants.
24. Utilisez uniquement les accessoires recommandés par le fabricant.
25. Confiez l'entretien et les réparations à un personnel qualifié. Une réparation est nécessaire lorsque l'appareil a été endommagé de quelque façon que ce soit, par exemple lorsque le cordon d'alimentation ou la prise sont endommagés, lorsqu'un liquide s'est déversé ou des objets ont été introduits dans l'appareil, lorsque l'appareil a été exposé à la pluie ou à l'humidité, lorsqu'il ne fonctionne pas correctement ou est tombé.
26. Une exposition prolongée à la musique avec un volume élevé peut entraîner une perte auditive temporaire ou permanente.
27. Si l'appareil est livré avec un câble d'alimentation ou un adaptateur secteur :
  - En cas de problème, débranchez le cordon d'alimentation CA et confiez l'entretien à un personnel qualifié.
  - Pour que l'alimentation soit parfaitement déconnectée, la fiche d'alimentation de l'appareil doit être débranchée de la prise secteur.
  - Ne marchez pas sur l'adaptateur secteur ou ne le coincez pas. Faites très attention, en particulier à proximité des fiches et du point de sortie du câble. Ne placez pas d'objets lourds sur l'adaptateur secteur, car ils pourraient l'endommager. Gardez l'appareil hors de portée des enfants ! Ils pourraient se blesser gravement s'ils jouent avec le câble d'alimentation.
  - Débranchez cet appareil pendant les orages ou lorsqu'il n'est pas utilisé pendant une longue durée.
  - La prise secteur doit être installée près de l'appareil et doit être facilement accessible.
  - Ne surchargez pas les prises de courant ou les rallonges. Une surcharge peut entraîner un incendie ou une électrocution.
  - Les appareils de classe 1 doivent être branchés à une prise de courant disposant d'une connexion protectrice à la terre.
  - Les appareils de classe 2 ne nécessitent pas de connexion à la terre.
  - Tirez toujours sur la fiche pour débrancher le cordon de la prise secteur. Ne tirez pas sur le cordon d'alimentation. Cela pourrait provoquer un court-circuit.
  - N'utilisez pas un cordon ou une fiche d'alimentation endommagé ni une prise desserrée. Vous courez un risque d'incendie ou de décharge électrique.
28. Si le produit contient ou est livré avec une télécommande contenant des piles boutons :

Avertissement :

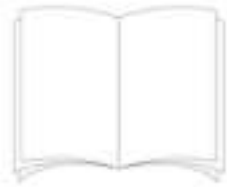
  - « N'ingérez pas la pile, car vous risquez une brûlure chimique » ou une formule équivalente.
  - [Quand la télécommande est fournie] L'ingestion d'une pile bouton peut causer de graves brûlures internes en seulement 2 heures et causer la mort.
  - Tenez les piles neuves et usagées hors de portée des enfants.
  - Si le compartiment à piles ne se ferme pas correctement, cessez d'utiliser l'appareil et tenez-le hors de portée des enfants.
  - Si vous pensez que les piles ont été avalées ou placées à l'intérieur d'une partie du corps, consultez un médecin immédiatement.

29. Mise en garde relative à l'utilisation des piles :

- Risque d'explosion si la pile est mal remplacée. Remplacez les piles par des piles d'un type identique ou équivalent.
- Pendant l'utilisation, le stockage ou le transport, la pile ne doit pas être soumise à des températures extrêmement élevées ou basses, à une faible pression d'air à haute altitude.
- Le remplacement d'une pile par une autre de type incorrect peut entraîner une explosion ou une fuite de liquide ou de gaz inflammable.
- L'introduction d'une pile dans le feu ou dans un four chaud, l'écrasement ou le découpage mécanique peut entraîner une explosion.
- L'exposition d'une pile dans un environnement à température extrêmement élevée peut entraîner une explosion ou une fuite de liquide ou de gaz inflammable.
- L'exposition d'une pile à une pression d'air extrêmement basse peut entraîner une explosion ou une fuite de liquide ou de gaz inflammable.
- Veuillez considérer les questions environnementales lors de la mise au rebut des piles.

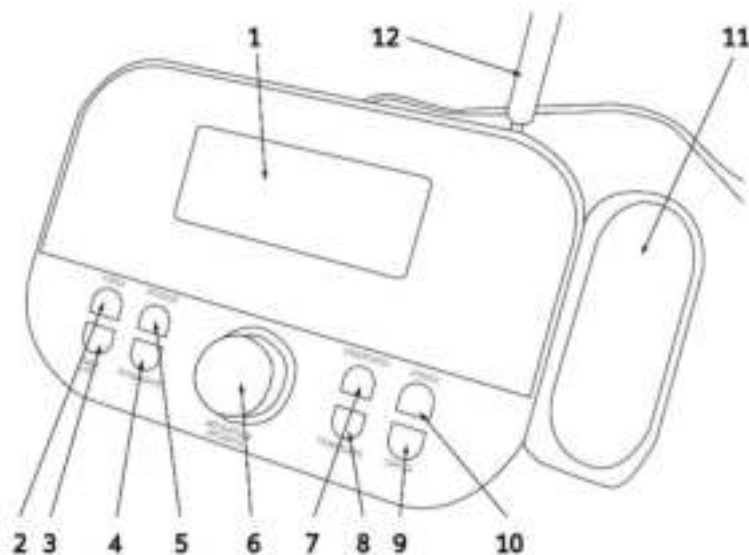
**Accessoires :**

Mode d'emploi




Alimentation électrique





### Commande



- |   |  |
|---|--|
| 1. Affichage  | 8. Touche « P-/SYNTO- »  |
| 2. Touche « VARIATEUR »   | 9. Touche « Activation/désactivation de la projection »                    |
| 3. Touche «  /MODE » | 10. Touche « RETOURNEMENT À 180° »   |
| 4. Touche « RECHERCHE DE PRÉRÉGLAGE »   | 11. Projecteur   |
| 5. Touche « MENU/INFO »   | 12. Antenne (déployez-la et repositionnez-la pour une meilleure réception) |
| 6. Molette<br>« VOLUME/DÉFILEMENT/ENTRÉE/<br>RAPPEL D'ALARME »  | 13. Prise CC (non illustrée)   |
| 7. Touche « P+/SYNTO+ »   | 14. Prise casque (non illustrée)   |

### Prise en main

Insérez la fiche de l'adaptateur d'alimentation fourni dans la prise d'alimentation (13) et branchez l'alimentation à une prise à 110-230 V ~ 50/60 Hz.

### UTILISATION

#### Marche/veille :

- Appuyez sur la touche « /MODE » pour allumer l'appareil.
- Maintenez la touche « /MODE » enfoncée pendant 2 secondes pour mettre l'appareil en mode veille (l'écran affiche l'heure et la date).


#### Réglage du volume

Tournez la molette « VOLUME/SCROLL/ENTER/SNOOZE » (6) pour augmenter ou diminuer le volume.

#### Réglage de l'heure

L'heure sera réglée automatiquement lorsque vous allumez l'appareil en mode DAB, en revanche si vous souhaitez la régler manuellement :



1. Appuyez sur la touche « /MODE » pour allumer la radio.
2. Maintenez la touche « MENU/INFO » (5) enfoncée pendant 2 secondes.
3. Tournez la molette « VOLUME/SCROLL/ENTER/SNOOZE » (6) et sélectionnez « System (Système) », puis appuyez sur la molette « VOLUME/SCROLL/ENTER/SNOOZE » (6) pour confirmer la sélection.
4. Tournez la molette « VOLUME/SCROLL/ENTER/SNOOZE » (6) et sélectionnez « Time (Heure) », puis appuyez sur la molette « VOLUME/SCROLL/ENTER/SNOOZE » (6) pour confirmer la sélection.
5. Tournez la molette « VOLUME/SCROLL/ENTER/SNOOZE » (6) et sélectionnez « Set Time/Date (Régler l'heure/la date) », puis appuyez sur la molette « VOLUME/SCROLL » (6) pour confirmer la sélection.
6. Tournez la molette « VOLUME/SCROLL/ENTER/SNOOZE » (6) pour régler l'heure, puis appuyez sur la molette « VOLUME/SCROLL/ENTER/SNOOZE » (6) pour confirmer le réglage et passer à celui des minutes.
7. Réglez également la date à l'aide de la molette « VOLUME/SCROLL/ENTER/SNOOZE » (6).

### **Réglage de l'alarme**


Pour régler l'alarme 1 ou 2, suivez les étapes suivantes :

1. En mode horloge (veille), maintenez la touche « MENU/INFO » (5) enfoncée pendant 2 secondes, sélectionnez « System (Système) », puis appuyez sur la molette « VOLUME/SCROLL/ENTER/SNOOZE » (6) pour confirmer la sélection.
2. Tournez la molette « VOLUME/SCROLL/ENTER/SNOOZE » (6) et sélectionnez l'option « Alarm (Alarme) », puis appuyez sur la molette pour confirmer la sélection.
3. Tournez la molette « VOLUME/SCROLL/ENTER/SNOOZE » (6) et sélectionnez « Alarm 1 (Alarme 1) » ou « Alarm 2 (Alarme 2) », puis appuyez sur la molette pour confirmer la sélection.
4. Tournez la molette « VOLUME/SCROLL/ENTER/SNOOZE » (6) pour régler l'heure, puis appuyez sur la molette pour confirmer le réglage et passez à celui des minutes.
5. Tournez la molette « VOLUME/SCROLL/ENTER/SNOOZE » (6) pour régler la durée, puis appuyez sur la molette pour confirmer le réglage.
6. Tournez la molette « VOLUME/SCROLL/ENTER/SNOOZE » (6) pour sélectionner le type de sonnerie (FM, DAB ou VIBREUR), puis appuyez sur la molette pour confirmer la sélection.
7. Tournez la molette « VOLUME/SCROLL/ENTER/SNOOZE » (6) pour sélectionner la fréquence (once, daily, weekly, weekend only [une fois, tous les jours, toutes les semaines, le week-end uniquement]), puis appuyez sur la molette pour confirmer la sélection.
8. Tournez la molette « VOLUME/SCROLL/ENTER/SNOOZE » (6) pour régler la date de début, puis appuyez sur la molette pour confirmer la sélection.

9. Tournez la molette « VOLUME/SCROLL/ENTER/SNOOZE » (6) pour régler le volume, puis appuyez sur la molette pour confirmer le réglage.
10. Tournez la molette « VOLUME/SCROLL/ENTER/SNOOZE » (6) pour activer ou désactiver l'alarme, puis appuyez sur la molette pour confirmer la sélection.

Une fois l'alarme activée, le symbole de cloche s'affichera à l'écran avec le numéro 1 pour la première alarme et le numéro 2 pour la seconde alarme.

### **Arrêter l'alarme**

Pour arrêter complètement l'alarme (la sonnerie ou la radio), appuyez sur la touche « /MODE » (1).

Pour arrêter temporairement le son de l'alarme, appuyez sur la molette « VOLUME/SCROLL/ENTER/SNOOZE » (6), l'interruption dure 9 minutes, après quoi l'alarme reprend.

## **Radio DAB/DAB+**

Mise en mémoire automatique des stations

1. Ajustez le déploiement de l'antenne et l'inclinaison pour obtenir la meilleure réception.
2. Maintenez la touche « PRESET SCAN » (4) enfoncée pendant quelques secondes pour lancer la recherche automatique des stations DAB. Pendant la recherche, l'écran affichera la barre de progression et le nombre de stations en mémoire.
3. Maintenez enfoncée la touche « P+/TUNE+ » (7) ou « P-/TUNE- » (8) pendant quelques secondes, tournez la molette « VOLUME/SCROLL/ENTER/SNOOZE » (6) pour sélectionner la station souhaitée. Appuyez de nouveau sur la molette « VOLUME/SCROLL/ENTER/SNOOZE » (6) pour confirmer la sélection et commencer à écouter la station.

Remarque :

- Il peut être nécessaire d'attendre quelques secondes pour que l'appareil syntonise le nouveau canal.
- En mode DAB, la date et l'heure de l'appareil sont synchronisées avec celles de la station écoutée.

### **Recherche manuelle**

1. Maintenez la touche « MENU/INFO » (5) enfoncée pendant 2 secondes.
2. Tournez la molette « VOLUME/SCROLL/ENTER/SNOOZE » (6) et sélectionnez l'option « Manual Tune (Réglage manuel) », puis appuyez sur la molette « VOLUME/SCROLL/ENTER/SNOOZE » (6) pour confirmer la sélection.
3. Tournez la molette « VOLUME/SCROLL/ENTER/SNOOZE » (6) pour sélectionner le canal souhaité (5A-13F), puis appuyez sur la molette « VOLUME/SCROLL/ENTER/SNOOZE » (6) pour confirmer la sélection.

Remarque : Il est possible de mettre en mémoire 30 stations au maximum. Une fréquence mémorisée peut être effacée de la mémoire en enregistrant une autre fréquence à sa place.

### **Informations DAB/DAB+**

En mode DAB, appuyez à plusieurs reprises sur la touche « MENU/INFO » (5) pour modifier les informations affichées :

#### **Ligne supérieure :**

le canal et la fréquence de la station actuelle seront affichés sur la ligne supérieure.

#### **Ligne inférieure :**

- a. Texte défilant diffusé par la plupart des stations DAB
- b. Ensemble DAB
- c. Type de contenu diffusé. Par exemple, sport, musique pop.
- d. Nom de la station DAB
- e. Fréquence DAB
- f. Erreur de signal
- g. 80 kbit/s/DAB

### **Menu DAB/DAB+**

1. En mode DAB, maintenez la touche « MENU/INFO » (5) enfoncée pendant quelques secondes.
2. Tournez la molette « VOLUME/SCROLL/ENTER/SNOOZE » (6) pour sélectionner l'option souhaitée dans ce qui suit : Full Scan, Manual tune, DRC, Prune, TA, System (Recherche complète, Réglage manuel, RDC, Élimination, TA, Système).
3. Appuyez sur la molette « VOLUME/SCROLL/ENTER/SNOOZE » (6) pour sélectionner l'option souhaitée et saisir ses paramètres.
  - A) Full Scan (Recherche complète) – recherche automatique des stations DAB+
  - B) Preset Recall (Rappel de préréglage) – permet de sélectionner une station radio parmi celles en mémoire.
  - C) Preset Store (Mise en mémoire de préréglage) – vous permet de mettre en mémoire une station.
  - D) Manual Tune (Syntonisation manuelle) – syntonisation manuelle
  - E) DRC – off, low, high (désactivé, faible, élevé). Lorsqu'elle est activée, la DRC réduit le volume des sons plus forts et amplifie le volume des sons les plus bas. C'est idéal quand vous écoutez à faible volume.
  - F) Prune (Élimination) – yes, no (oui, non). Lorsque cette option est activée, les stations sans signal ne seront plus affichées à l'écran.
  - G) TA – On, Off (Activé/désactivé) Cette fonction est relative aux infos trafic.

## H) System (Système) –

1. Veille – désactivé, 15, 30, 45, 60, 90 (minutes)
2. Alarm (Alarme) – permet de régler l’alarme 1 et l’alarme 2.
3. Heure :
  - Réglage de l’heure/date
  - Auto update (Mise à jour automatique) – Mise à jour automatique de la date et de l’heure à partir de la source ou mise à jour désactivée. Il est conseillé de garder la valeur « Update from DAB (Mise à jour à partir de DAB) » pour éviter les changements constants d’heure.
  - Réglage du format de 12/24 heures – réglez AM/PM ou 24 heures
  - Set date format (Réglage du format de la date) - DD MM YYYY, MM DD YYYY (JJ MM AAAA, MM JJ AAAA)
4. Language (Langue) – English, Deutsch, Italiano, Francais, Nederlands, Espanol, Dansk, Portugese (Anglais, allemand, italien, français, néerlandais, espagnol, danois, portugais).
5. Factory reset (Réinitialisation en usine) – No (Non) ou Yes (Oui)
6. Ver. Log. :

## Radio FM

### Mise en mémoire automatique des stations

1. Maintenez la touche « PRESET SCAN » (4) enfoncée pendant 3 secondes pour démarrer la recherche et le pré-réglage automatique des stations.
2. À la fin de la recherche, utilisez la touche « P+/TUNE+ » (7) ou « P-/TUNE- » (8) pour sélectionner une station radio en mémoire.

Remarque : La sensibilité de la recherche automatique est réglable dans le menu.

### Recherche et mise en mémoire manuelle :

1. Maintenez la touche « P +/TUNE+ » (7) ou « P-/TUNE- » (8) enfoncée pendant quelques secondes pour syntoniser la station radio suivante ou précédente.
2. Pour mettre en mémoire une station radio :
  - Passez à la fréquence à mettre en mémoire et appuyez sur la touche « PRESET SCAN » (4).
  - Tournez la molette « VOLUME/SCROLL/ENTER/SNOOZE » (6) pour sélectionner le numéro où mettre la station en mémoire.
  - Appuyez de nouveau sur la molette « VOLUME/SCROLL/ENTER/SNOOZE » (6) pour confirmer.

### **Informations sur la diffusion FM**

Appuyez sur la touche « MENU/INFO » (5) pour afficher ce qui suit :

Ligne supérieure :

Nom de la station, type de réception.

Ligne inférieure :

- a. Informations (fournie par la station de radio).
- b. Des informations relatives au type d'émission diffusée.
- c. Frequency (Fréquence)
- d. Stéréo/mono
- e. Heure.
- f. Date.

### **Menu FM**

1. En mode FM, maintenez la touche « MENU/INFO » (5) enfoncée pendant quelques secondes.
2. Tournez la molette « VOLUME/SCROLL/ENTER/SNOOZE » (6) pour sélectionner l'option souhaitée dans ce qui suit : Preset Recall, Preset Store, Scan Setting, Audio setting, System (Rappel de préréglage, Mise en mémoire de préréglage, Réglage de la recherche, Réglage audio, système).
3. Appuyez sur la molette « VOLUME/SCROLL/ENTER/SNOOZE » (6) pour sélectionner l'option souhaitée et saisir ses paramètres.
  - A) Réglage de la recherche
    1. Toutes les stations
    2. Stations fortes
  - B) Réglage audio
    1. Stéréo autorisé
    2. Mono forcé
  - C) Système
    1. Sleep (Sommeil) – permet de choisir entre OFF (Désactivé), 15, 30, 45, 60, 90 minutes
    2. Alarm (Alarme) – permet de régler l'alarme 1 et l'alarme 2.
    3. Heure :

- Réglage de l'heure/date
  - Auto update (Mise à jour automatique) – Mise à jour automatique de la date et de l'heure à partir de la source ou mise à jour désactivée. Il est conseillé de garder la valeur « Update from DAB (Mise à jour à partir de DAB) » pour éviter les changements constants d'heure.
  - Réglage du format de 12/24 heures – réglez AM/PM ou 24 heures
  - Set date format (Réglage du format de la date) - DD MM YYYY, MM DD YYYY (JJ MM AAAA, MM JJ AAAA)
4. Language (Langue) – English, Deutsch, Italiano, Francais, Nederlands, Espanol, Dansk, Portugese (Anglais, allemand, italien, français, néerlandais, espagnol, danois, portugais).
  5. Factory reset (Réinitialisation en usine) – No (Non) ou Yes (Oui)
  6. version logiciel

## Projection

### **Marche/Arrêt et réglage**

1. Appuyez sur la touche « Projection ON/OFF » (9) pour activer la projection.
2. Appuyez sur la touche « 180° FLIP » (10) pour faire pivoter la projection de 180° si nécessaire.
3. Appuyez sur la touche « Projection ON/OFF » (9) pour désactiver la projection.

### **Gradateur de lumière**

Appuyez à plusieurs reprises sur la touche DIMMER (2) pour changer la lumière d'affichage.

## Caractéristiques techniques

Connexions	CC, sortie casque 3,5 mm, antenne
Entrée	100 à 240 VCA – 50 à 60 Hz
Sortie	5 V/1,0 A
Puissance de sortie	1 W
Puissance absorbée	5 W max.
Réception de la bande FM	87,5-108 MHz
Réception de la bande DAB/DAB+	174,928 – 239,200 MHz
Température de fonctionnement	0 à 35 degrés
Unité de dimension	181 x 95 x 85 mm (appareil principal)
Poids	340 g (Appareil principal)

Adaptateur de puissance (uniquement pour l'Europe)

Fabricant : DongGuan Obelieve Electronics Co., Ltd

Numéro du modèle : OBL-0501000E

Utilisez uniquement l'adaptateur CA d'origine

Utilisez uniquement l'alimentation électrique indiquée dans le mode d'emploi.

## Garantie

Lenco propose un service et une garantie conformément à la législation européenne, ce qui signifie qu'en cas de besoin de réparation (aussi bien pendant et après la période de garantie), vous pouvez contacter votre revendeur le plus proche.

Remarque importante : Il n'est pas possible de renvoyer l'appareil pour réparation directement à Lenco.

Remarque importante : si l'appareil est ouvert ou modifié de quelque manière que ce soit par un réparateur non agréé, la garantie sera caduque.

Cet appareil ne convient pas à une utilisation professionnelle. En cas d'utilisation professionnelle, les obligations de garantie du fabricant seront annulées.

## Clause de non-responsabilité

Des mises à jour du logiciel et/ou des composants informatiques sont régulièrement effectuées. Il se peut donc que certaines instructions, caractéristiques et images présentes dans ce document diffèrent légèrement de votre configuration spécifique. Tous les articles décrits dans ce guide sont fournis uniquement à des fins d'illustration et peuvent ne pas s'appliquer à une configuration spécifique. Aucun droit légal ne peut être obtenu depuis les informations contenues dans ce manuel.

## Mise au rebut de l'appareil usagé



Ce symbole indique que le produit électrique concerné ainsi que les piles ne doivent pas être jetés avec les autres déchets ménagers en Europe. Pour garantir un traitement correct des piles et de l'appareil usagés, veuillez les mettre au rebut conformément aux réglementations locales en vigueur en matière d'appareils électriques et autres piles. En agissant de la sorte, vous contribuerez à la préservation des ressources naturelles et à l'amélioration des niveaux de protection environnementale concernant le traitement et la destruction des déchets électriques (directive sur les déchets des équipements électriques et électroniques).

## Marquage CE

Par la présente, Lenco Benelux B.V., Thermiekstraat 1a, 6361 HB Nuth, Pays-Bas, déclare que ce produit est conforme aux exigences principales des directives européennes.

La déclaration de conformité peut être consultée via [techdoc@commaxxgroup.com](mailto:techdoc@commaxxgroup.com)



## Service après-vente

Pour en savoir plus et obtenir de l'assistance, visitez [www.lenco.com](http://www.lenco.com)

Lenco Benelux BV, Thermiekstraat 1a, 6361 HB Nuth, Pays-Bas.



**PRECAUCIÓN:**

El uso de los controles o ajustes o el funcionamiento de los procedimientos excepto a aquellos especificados aquí pueden provocar una exposición peligrosa a la radiación.

**PRECAUCIONES PREVIAS AL USO**

---

**TENGA ESTAS INSTRUCCIONES EN MENTE:**

1. No cubra o bloquee ninguna apertura de ventilación. Cuando coloque el dispositivo en una estantería, deje 5 cm (2") de espacio libre alrededor de todo el dispositivo.
2. Instálelo conforme al manual de usuario que se adjunta.
3. Mantenga el aparato alejado de fuentes de calor, como radiadores, calentadores, estufas, velas u otros productos que generen calor o llama viva. Solo se debe utilizar el aparato en climas moderados. Se deben evitar los ambientes extremadamente fríos o cálidos. Temperatura de funcionamiento entre 0 ° y 35 °C.
4. Evite usar el dispositivo cerca de campos magnéticos fuertes.
5. Una descarga electrostática puede entorpecer el uso normal de este dispositivo. En tal caso, simplemente reinicielo siguiendo el manual de instrucciones. Durante la transmisión de archivos, por favor manéjelo con cuidado opérelo en un entorno libre de electricidad estática.
6. ¡Advertencia! Nunca inserte un objeto en el producto a través de las ventilaciones o aperturas. Alto voltaje fluye a través del producto e insertar un objeto puede provocar una descarga eléctrica y/o un cortocircuito de sus componentes internos. Por el mismo motivo, no derrame agua o líquidos en el producto.
7. No lo utilice en zonas húmedas, como cuartos de baño, cocinas en las que se forme vapor ni cerca de piscinas.
8. El aparato no debe exponerse a goteos o salpicaduras y asegúrese de que ningún objeto lleno de líquido, como jarrones, se colocan sobre o cerca del aparato.
9. No use este dispositivo cuando se pueda producir condensación. Cuando utilice la unidad en una habitación húmeda y cálida con humedad, pueden generarse gotas de agua o condensación dentro de la unidad y es posible que no funcione correctamente; apague la unidad durante 1 o 2 horas antes de encenderla de nuevo: el aparato debe estar seco antes de conectarse a una fuente de alimentación.
10. Aunque este dispositivo está fabricado con el máximo cuidado y comprobado varias veces antes de salir de fábrica, todavía es posible que se puedan producir problemas, al igual que con todos los aparatos eléctricos. Si observa la aparición de humo, una acumulación excesiva de calor o cualquier otro fenómeno inesperado, deberá desconectar inmediatamente el enchufe de la toma de corriente.
11. Este dispositivo debe funcionar con una fuente de alimentación que se especifica en la etiqueta de especificaciones. Si no está seguro del tipo de alimentación que se usa en su hogar, consulte con el distribuidor o una compañía eléctrica local.
12. Manténgalo alejado de los roedores. Los roedores disfrutan mordiendo cables de alimentación.
13. Para limpiar el dispositivo use un paño seco y suave. No utilice líquidos disolventes ni con base de petróleo. Para eliminar manchas difíciles, puede usar un paño húmedo con detergente diluido.
14. El proveedor no asume ninguna responsabilidad por daños o datos perdidos provocados por un funcionamiento incorrecto, uso incorrecto, modificación del dispositivo o sustitución de la batería.
15. No interrumpa la conexión cuando el dispositivo esté formateando o transfiriendo archivos. En caso contrario, los datos se pueden estropear o perder.
16. Si la unidad dispone de función de reproducción USB, se debe conectar la memoria USB directamente en la unidad. No utilice cables de extensión USB ya que pueden crear interferencias que causen una pérdida de datos.

17. La etiqueta identificativa aparece marcada en la parte inferior o en el trasero del aparato.
18. Este aparato no está diseñado para su uso por personas (incluyendo niños) con discapacidades físicas, sensoriales o mentales o con falta de experiencia o conocimientos, salvo que estén bajo la supervisión o hayan recibido formación sobre el uso correcto del dispositivo por parte de una persona responsable de su seguridad.
19. Este producto está diseñado para un uso no profesional únicamente y no para un uso comercial o industrial.
20. Asegúrese de que la unidad esté fijada en una posición estable. La garantía no cubrirá los daños derivados de usar este producto en una posición inestable, vibraciones o golpes o por no seguir otras advertencias o precauciones que aparecen en este manual de usuario.
21. No retire nunca la carcasa de este aparato.
22. Nunca coloque el aparato sobre otro equipo eléctrico.
23. Mantenga las bolsas de plástico fuera del alcance de los niños.
24. Use únicamente los dispositivos/accesorios especificados por el fabricante.
25. Remita todas las reparaciones al personal cualificado. La reparación es necesaria cuando el aparato presente cualquier tipo de daño, como el cable de alimentación o el enchufe, cuando se haya derramado líquido o hayan caído objetos sobre el aparato, o cuando el aparato se haya visto expuesto a la lluvia o humedad, o no funcione normalmente o se haya caído.
26. La exposición prolongada a sonidos fuertes de reproductores personales de música puede provocar pérdida de audición temporal o permanente.
27. Si el producto viene con un cable de alimentación o un adaptador de corriente de CA:
  - Si ocurre algún problema, desconecte la tarjeta de alimentación de CA y consulte a personal cualificado de mantenimiento.
  - Para desconectar completamente la entrada de alimentación, el enchufe del aparato deberá desconectarse de la alimentación, ya que el dispositivo de desconexión es el enchufe del aparato.
  - No pise o pince el adaptador de alimentación. Tenga mucho cuidado, en especial cerca de las tomas y el punto de salida del cable. No coloque objetos pesados en el adaptador de alimentación, ya que pueden dañarlo. ¡Mantenga el dispositivo fuera del alcance de los niños! Si juegan con el cable de alimentación, puede sufrir lesiones graves.
  - Desconecte el dispositivo durante tormentas eléctricas o cuando no vaya a usarse durante periodos prolongados de tiempo.
  - La salida de la toma debe instalarse cerca del equipo y debe ser fácilmente accesible.
  - No sobrecargue las tomas CA o los cables de extensión. La sobrecarga puede provocar un incendio o una descarga eléctrica.
  - Los dispositivos con construcción de Clase 1 deben estar conectados a una toma de corriente con una conexión a tierra protegida.
  - Los dispositivos con construcción Clase 2 no requieren una conexión a tierra.
  - Sujete siempre el enchufe cuando los extraiga de la toma de corriente. No tire del cable de alimentación. Esto puede provocar un cortocircuito.
  - No utilice un cable de alimentación o enchufe deteriorado o una toma suelta. Si lo hace, podría provocar un incendio o una descarga eléctrica.
28. Si el producto contiene o se entrega con un mando a distancia que contiene pilas de botón / celdas:

Advertencia:

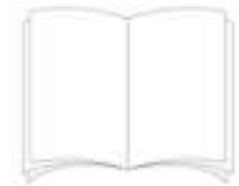
  - “Ni ingiera la pila, riesgo de quemadura química” o frase equivalente.
  - [El mando a distancia que se suministra con] Este producto contiene una pila de botón / celdas que si se ingiere puede causar graves quemaduras internas en solo 2 horas y puede provocar la muerte.
  - Mantenga las pilas nuevas o usadas fuera del alcance de los niños.
  - Si el compartimiento de las pilas no se cierra correctamente, deje de usar el producto y no lo deje al alcance los niños.
  - Si tiene la sospecha de que una pila ha sido ingerida o se encuentra en algún lugar del cuerpo, busque inmediatamente atención médica.

29. Precaución sobre el uso de las pilas:

- Existe riesgo de explosión si la pila no se sustituye correctamente. Sustitúyala únicamente con otra del mismo tipo u otro equivalente.
- No se pueden exponer las pilas a temperaturas extremadamente altas o bajas, baja presión de aire a gran altitud durante el uso, almacenamiento o transporte.
- Si cambia las pilas por otras que no son las correctas, se puede producir una explosión o la fuga de líquidos o gases inflamables.
- Si arroja las pilas al fuego o a un horno caliente, o aplasta o corta mecánicamente una pila, podría provocar una explosión.
- Si deja las pilas en un lugar con temperaturas extremadamente altas, se puede producir una explosión o una fuga de líquido o gas inflamable.
- Si se exponen las pilas a una presión de aire extremadamente baja, se puede producir una explosión o la fuga de líquidos o gases inflamables.
- Se debe prestar atención a los aspectos medioambientales sobre la eliminación de baterías.

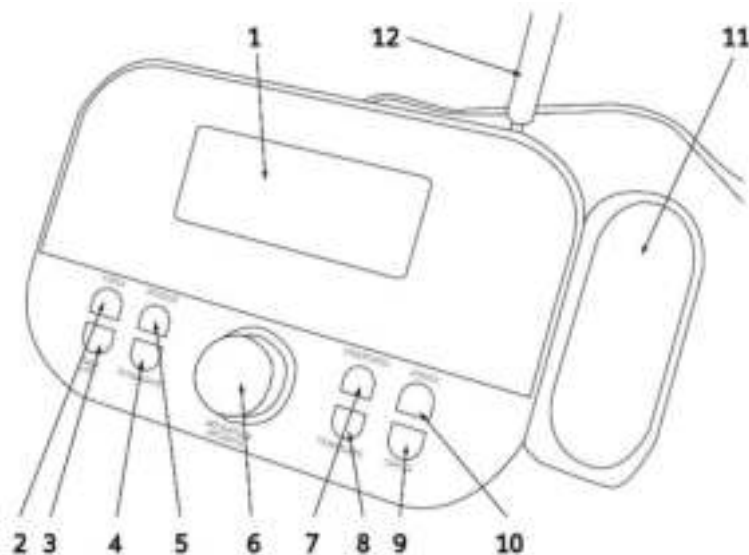
**Accesorios:**

Manual del usuario



Fuente de alimentación





### Comando

- |  |   |
|--|---|
| 1. Pantalla                                  | 8. Botón "P-/SINTONIZAR-"   |
| 2. Botón "ATENUADOR"                         | 9. Botón "Proyección CONECTADA / DESCONECTADA"                    |
| 3. Botón "PUSH/MODO"                         | 10. Botón "GIRO 180°"   |
| 4. Botón "BÚSQUEDA DE PRESINTONÍAS"          | 11. Proyector   |
| 5. Botón "MENÚ/INFORMACIÓN"                  | 12. Antena (Extender y volver a colocar para una mejor recepción) |
| 6. Dial "VOLUMEN/DESPLAZARSE/ENTRAR/RETARDO" | 13. Toma DC-IN (no se muestra)                                    |
| 7. Botón "P+/SINTONIZAR+"                    | 14. Toma de auriculares (no se muestra)                           |

## Puesta en marcha

Inserte el enchufe del adaptador de alimentación que se suministra en la toma de alimentación (13) y conecte la alimentación a una toma de corriente de 110-230V ~ 50/60Hz.

### FUNCIONAMIENTO

#### Encendido / En espera:


1. Pulse el botón "PUSH/MODE" para encender la unidad.
2. Mantenga pulsado el botón "PUSH/MODE" durante 2 segundos para poner la unidad en modo en espera (la pantalla muestra la fecha y la hora).

#### Ajuste de volumen

Gire el dial "VOLUME/SCROLL/ENTER/SNOOZE" (6) para aumentar o disminuir el volumen.

#### Configuración horaria

La hora se configurará automáticamente al encender el dispositivo el modo DAB; si desea configurarla manualmente:

1. Pulse el botón “/MODE” para encender la radio.
2. Mantenga pulsado el botón “MENU/INFO” (5) durante 2 segundos.
3. Gire el dial “VOLUME/SCROLL/ENTER/SNOOZE” (6) y seleccione “System (Sistema)”;  
pulse el dial “VOLUME/SCROLL/ENTER/SNOOZE” (6) para seleccionarlo.
4. Gire el dial “VOLUME/SCROLL/ENTER/SNOOZE” (6) y seleccione “Time (Hora)”;  
pulse el dial “VOLUME/SCROLL/ENTER/SNOOZE” (6) para seleccionarlo.
5. Gire el dial “VOLUME/SCROLL/ENTER/SNOOZE” (6) y seleccione “Set Time/Date  
(Configurar hora y fecha)”;  
pulse el dial VOLUME/SCROLL (6) para seleccionarlo.
6. Gire el dial “VOLUME/SCROLL/ENTER/SNOOZE” (6) para ajustar la hora y pulse el dial  
“VOLUME/SCROLL/ENTER/SNOOZE” (6) para confirmarlo e ir a la configuración de los minutos.
7. Asimismo ajuste la fecha usando el dial “VOLUME/SCROLL/ENTER/SNOOZE” (6).


### **Configurar la alarma**

Para configurar la alarma 1 o 2, siga los pasos siguientes:

1. En modo reloj (En espera), mantenga pulsado el botón “MENU/INFO” (5) durante 2 segundos; seleccione “System (Sistema)” y pulse el dial  
“VOLUME/SCROLL/ENTER/SNOOZE” (6) para confirmarlo.
2. Gire el dial “VOLUME/SCROLL/ENTER/SNOOZE” (6) y seleccione el elemento  
“Alarm (Alarma)”;  
púselo para seleccionarlo.
3. Gire el dial “VOLUME/SCROLL/ENTER/SNOOZE” (6) y seleccione “Alarm 1 (Alarma 1)”  
o “Alarm 2 (Alarma 2)”;  
púselo para confirmarlo.
4. Gire el dial “VOLUME/SCROLL/ENTER/SNOOZE” (6) para ajustar la hora y púselo para  
confirmarlo y moverse a la configuración de los minutos.
5. Gire el dial “VOLUME/SCROLL/ENTER/SNOOZE” (6) para ajustar la duración y púselo  
para confirmarlo.
6. Gire el dial “VOLUME/SCROLL/ENTER/SNOOZE” (6) para seleccionar el tipo de tono de  
llamada (FM, DAB o PITIDO) y púselo para confirmarlo.
7. Gire el dial “VOLUME/SCROLL/ENTER/SNOOZE” (6) para seleccionar la frecuencia  
(once (una vez), daily (diariamente), weekly (semanalmente), weekend only  
(solo fines de semana)) y púselo para confirmarlo.
8. Gire el dial “VOLUME/SCROLL/ENTER/SNOOZE” (6) para ajustar la fecha de inicio y  
púselo para confirmarlo.
9. Gire el dial “VOLUME/SCROLL/ENTER/SNOOZE” (6) para ajustar el volumen y púselo  
para confirmarlo.
10. Gire el dial “VOLUME/SCROLL/ENTER/SNOOZE” (6) para activar o desactivar la alarma y  
púselo para confirmarlo.

Una vez que la alarma está activada, aparecerá el símbolo de la campana con el número 1 para la primera alarma y el número 2 para la segunda alarma.

### **Apagar la alarma**

Para detener la alarma completamente, (tono o radio), pulse el botón “/MODE” (1).

Para detener temporalmente el sonido de la alarma, pulse el dial “VOLUME/SCROLL/ENTER/SNOOZE” (6); la interrupción dura 9 minutos, tras lo cual la alarma vuelve a conectarse.

## **Radio DAB/DAB+**

Memoria automática de la emisora

1. Ajuste la extensión de la antena y el ángulo para conseguir la mejor recepción.
2. Mantenga pulsado el botón PRESET SCAN (4) durante unos segundo para iniciar la búsqueda automática de las emisoras DAB. Durante la búsqueda, la pantalla mostrará la barra de progreso y el número de emisoras guardadas.
3. Mantenga pulsado el botón “P+/TUNE+” (7) o el botón “P-/TUNE-” (8) durante unos segundos; gire el dial “VOLUME/SCROLL/ENTER/SNOOZE” (6) para seleccionar la emisora que desee; pulse el dial “VOLUME/SCROLL/ENTER/SNOOZE” (6) para confirmarlo y empezar a escuchar la emisora.

Nota:

- Puede que sea necesario esperar unos segundos para que la unidad sintonice el nuevo canal.
- En modo DAB la fecha y la hora del dispositivo se sincronizan con las de la emisora que se está escuchando.

### **Búsqueda manual**

1. Mantenga pulsado el botón “MENU/INFO” (5) durante 2 segundos.
2. Gire el dial “VOLUME/SCROLL/ENTER/SNOOZE” (6) y seleccione el elemento “Manual Tune (Sintonización manual)”; pulse el dial “VOLUME/SCROLL/ENTER/SNOOZE” (6) para seleccionarlo.
3. Gire el dial “VOLUME/SCROLL/ENTER/SNOOZE” (6) para seleccionar el canal que desee (5A-13F); pulse el dial “VOLUME/SCROLL/ENTER/SNOOZE” (6) para seleccionarlo.

Nota: Se pueden guardar hasta 30 emisoras. Se puede eliminar una frecuencia almacenada de la memoria almacenando otra frecuencia en su lugar.

### **Información DAB/DAB+**

En la función DAB, pulse el botón “MENU/INFO” (5) de forma reiterada para cambiar la información que se muestra:

#### **Línea superior:**

en la línea superior se mostrará el canal de la emisora y frecuencia de la emisora actual.

**Línea inferior:**

- a. Emisión con desplazamiento de texto de la mayoría de las emisoras DAB
- b. conjunto de emisoras DAB
- c. Tipo de contenido que se está emitiendo. Por ejemplo, deporte, música pop.
- d. Nombre de la emisora DAB
- e. Frecuencia DAB
- f. Error de señal
- g. 80 kbps/DAB

**Menú DAB/DAB+**

1. En modo DAB, mantenga pulsado el botón "MENU/INFO" (5) durante unos segundos.
2. Gire el dial "VOLUME/SCROLL/ENTER/SNOOZE" (6) para seleccionar el elemento que desee de: Full Scan (Búsqueda completa), Manual tune (Sintonización manual), DRC (DRC), Prune (Recortar), TA (TA), System Sistema).
3. Pulse el dial "VOLUME/SCROLL/ENTER/SNOOZE" (6) para seleccionar el elemento que desee y entrar en su configuración.
  - A) Full Scan (Búsqueda completa) – Busca automáticamente las emisoras DAB+
  - B) Preset Recall (Recordar presintonía) - selecciona una emisora de radio de aquellas guardadas.
  - C) Preset Store (Guardar presintonía) - le permite guardar una emisora.
  - D) Manual Tune (Sintonización manual) – sintoniza manualmente
  - E) DRC – apagado, bajo, alto. Cuando está activado, el DRC reduce el volumen de sonidos más alto y aumenta el volumen de los sonidos más bajos. Es bueno cuando se escucha a un nivel bajo.
  - F) Prune (Recortar) – sí, no. Cuando está activado, no se mostrarán las emisoras sin señal en la pantalla.
  - G) TA - Conectado, desconectado. Esta función es información sobre el tráfico.
  - H) System (Sistema) –
    1. Sleep (Retardo) – desconectado, 15, 30, 45, 60, 90 (minutos)
    2. Alarm (Alarma) - Configurar la Alarma 1 y la Alarma 2.
    3. Time (Hora):

- Set Time/Date (Fecha/Hora)
  - Auto update (Actualización automática) - Actualización automática de la fecha y la hora desde la fuente o desconectado. Es aconsejable mantenerlo configurado en "Update from DAB (Actualizar desde DAB)" para evitar continuos cambios horarios.
  - Set 12/24 hour (Configurar 12/24 horas) – configurar AM/PM o 24 horas
  - Set date format (Configurar formato de fecha) - DD MM AAAA, MM DD AAAA
4. Language (Idiomas) – Inglés, Alemán, Italiano, Francés, Holandés, Español, Danés, Portugués.
  5. Reinicio a fábrica – No o Sí
  6. Vers. SW

## Radio FM

### Memoria automática de la emisora

1. Mantenga pulsado el botón "PRESET SCAN" (4) durante 3 segundos para empezar a buscar y a presintonizar automáticamente las emisoras.
2. Al final de la búsqueda, use el botón "P+/TUNE+" (7) o el botón "P-/TUNE-" (8) para seleccionar una emisora de radio memorizada.

Nota: La sensibilidad de la búsqueda automática es ajustable mediante el menú.

### Búsqueda y almacenamiento manual:

1. Mantenga pulsado el botón "P+/TUNE+" (7) o el botón "P-/TUNE-" (8) durante unos segundos para sintonizar la emisora de radio anterior o siguiente.
2. Para guardar una emisora de radio:
  - Mueva la frecuencia a guardar y pulse el botón "PRESET SCAN" (4).
  - Gire el dial "VOLUME/SCROLL/ENTER/SNOOZE" (6) para seleccionar el número donde guardar la emisora.
  - Pulse el dial "VOLUME/SCROLL/ENTER/SNOOZE" (6) para confirmarlo.

### Información de la emisión FM

Pulse el botón MENU/INFO (5) para ver:

Línea superior:

nombre de emisora, tipo de recepción.

Línea inferior:



- a. Información (proporcionada por la emisora de radio).
- b. Información relacionada con el tipo de programa emitido.
- c. Frequency (Frecuencia)
- d. Estéreo/mono.
- e. Hora.
- f. Fecha.

### **Menú de FM**

1. En modo FM, mantenga pulsado el botón “MENU/INFO” (5) durante unos segundos.
2. Gire el dial “VOLUME/SCROLL/ENTER/SNOOZE” (6) para seleccionar el elemento que desee de: Recordar presintonía, Guardar presintonía, Configuración de la búsqueda, Configuración de audio, Sistema.
3. Pulse el dial “VOLUME/SCROLL/ENTER/SNOOZE” (6) para seleccionar el elemento que desee y entrar en su configuración.
  - A) Ajustes de búsqueda
    1. Todas las emisoras
    2. Emisoras Fuertes
  - B) Ajustes de audio
    1. Estéreo permitido
    2. Mono forzado
  - C) Sistema
    1. Sleep (Retardo) – Elija entre OFF, 15, 30, 45, 60, 90 minutos
    2. Alarm (Alarma) - Configurar la Alarma 1 y la Alarma 2.
    3. Time (Hora):
      - Set Time/date (Fecha/Hora)
      - Auto update (Actualización automática) - Actualización automática de la fecha y la hora desde la fuente o desconectado. Es aconsejable mantenerlo configurado en “Update from DAB (Actualizar desde DAB)” para evitar continuos cambios horarios.
      - Set 12/24 hour (Configurar 12/24 horas) – configurar AM/PM o 24 horas
      - Set date format (Configurar formato de fecha) - DD MM AAAA, MM DD AAAA

4. Language (Idiomas) – Inglés, Alemán, Italiano, Francés, Holandés, Español, Danés, Portugués.
5. Reinicio a fábrica – No o Sí
6. Versión del software

## Proyección

### **Encendido / apagado y ajuste**

1. Pulse el botón “Projection ON/OFF” (9) para encender la proyección.
2. Pulse el botón “180° FLIP” (10) para girar la proyección 180° si es necesario.
3. Pulse el botón “Projection ON/OFF” (9) para apagar la proyección.

### **Atenuador**

Pulse el botón DIMMER (2) varias veces para cambiar la luz de la pantalla.

## Especificaciones Técnicas

Conexiones	DC, Salida de auricular de 3,5mm, Antena
Entrada	100-240 VAC – 50/60 Hz
Salida	5V/1,0A
Potencia de salida	1 W
Consumo de energía	Máx. 5W
Recepción de banda FM	87,5 - 108 MHz
Recepción de banda DAB/DAB+	174.928 – 239.200 MHz
Temperatura de funcionamiento	0 grados a 35 grados
Dimensiones de la unidad	181 x 95 x 85 mm (Dispositivo principal)
Peso	340gr. (Dispositivo principal)

Adaptador de corriente (Sólo para la UE)

Fabricante: DongGuan Obelieve Electronics Co., Ltd

Número de modelo: OBL-0501000E

Utilice únicamente el adaptador de CA original

Use únicamente la fuente de alimentación que se enumera en el manual de usuario

## Garantía

Lenco ofrece servicio y garantía en cumplimiento con las leyes de la Unión Europea, lo cual implica que, en caso de que su producto precise ser reparado (tanto durante como después del periodo de garantía), deberá contactar directamente con su distribuidor.

Nota importante: No es posible enviar sus reparaciones directamente a Lenco.

Nota importante: Si la unidad es abierta por un centro de servicio no oficial, la garantía quedará anulada.

Este aparato no es adecuado para el uso profesional. En caso de darle un uso profesional, todas las obligaciones de garantía del fabricante quedarán anuladas.

## Exención de responsabilidad

Regularmente se llevan a cabo actualizaciones en el Firmware y en los componentes del hardware. Por esta razón, algunas de las instrucciones, especificaciones e imágenes incluidas en este documento pueden diferir ligeramente respecto a su situación particular. Todos los elementos descritos en esta guía tienen un objetivo de mera ilustración, y pueden no ser de aplicación en su situación particular. No se puede obtener ningún derecho ni derecho legal a partir de la descripción hecha en este manual.

## Eliminación del antiguo dispositivo



Este símbolo indica que no deberá deshacerse del producto eléctrico o batería en cuestión junto con los residuos domésticos, en el ámbito de la UE. Para garantizar un tratamiento residual correcto del producto y su batería, por favor, elimínelos cumpliendo con las leyes locales aplicables sobre requisitos para el desecho de equipos eléctricos y baterías. De hacerlo, ayudará a conservar recursos naturales y mejorar los estándares de protección medioambiental en el tratamiento y eliminación de residuos eléctricos (Directiva sobre la Eliminación de Equipos Eléctricos y Electrónicos).

## Marca CE

Por la presente, Lenco Benelux B.V., Thermiekstraat 1a, 6361 HB Nuth, Países Bajos, declara que este producto cumple con las exigencias esenciales de las directivas de la UE.

La declaración de conformidad puede consultarse mediante

[techdoc@commaxxgroup.com](mailto:techdoc@commaxxgroup.com)



## Servicio

Para obtener más información y soporte del departamento técnico, por favor, visite la página web [www.lenco.com](http://www.lenco.com)

Lenco Benelux BV, Thermiekstraat 1a, 6361 HB Nuth, Países Bajos.