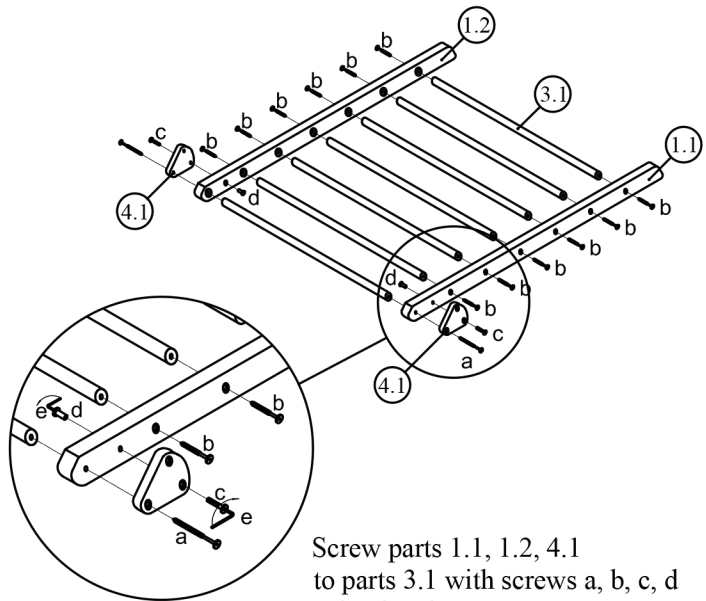




Triangle



STEP 1

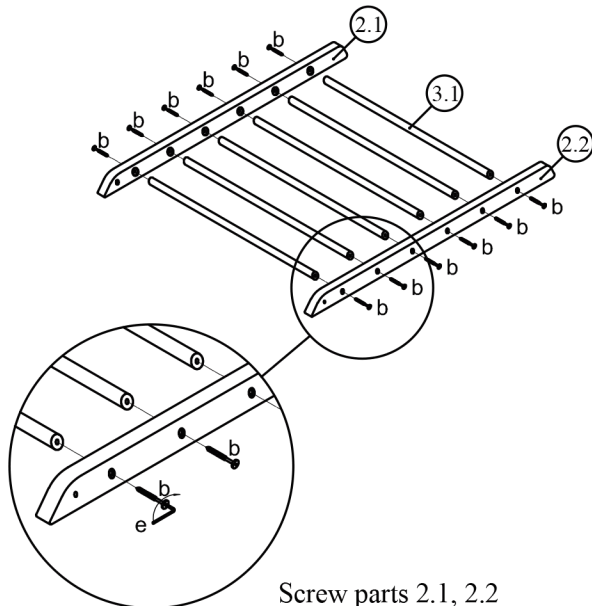


Screw parts 1.1, 1.2, 4.1 to parts 3.1 with screws a, b, c, d using hex keys e

ASSEMBLY PARTS

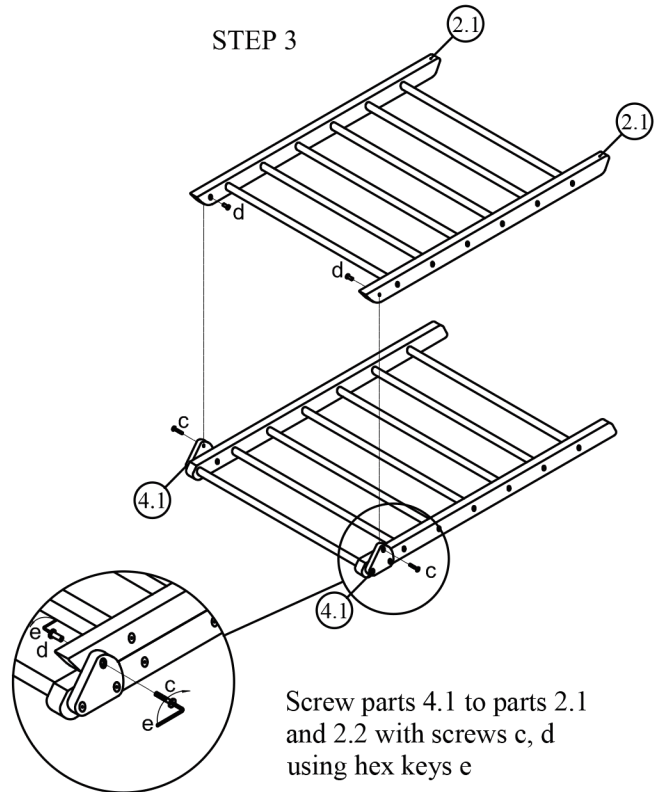
| | |
|--|--|
| <p>1.1 928 Long Sidewall Left (1pc)</p> | <p>1.2 928 Long Sidewall Right (1pc)</p> |
| <p>2.1 890 Short Sidewall Left (1pc)</p> | <p>2.2 890 Short Sidewall Right (1pc)</p> |
| <p>3.1 Long nog (13pcs)</p> | <p>4.1 Conector (2pcs)</p> |
| <p>a Flat head 60mm screw (2pcs - 1pc spare)</p> | <p>b Flat head 50mm screw (24pcs - 2pcs spare)</p> |
| <p>c Flat head 25mm screw (4pcs - 1pc spare)</p> | <p>d Flat head 17mm screw (4pcs - 1pc spare)</p> |
| <p>e 4mm hex key (2pcs)</p> | |

STEP 2



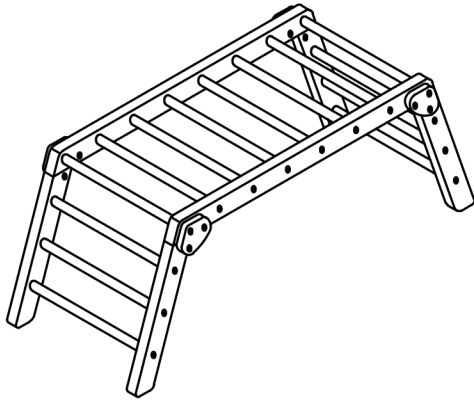
Screw parts 2.1, 2.2 to parts 3.1 with screw b using hex key e

STEP 3

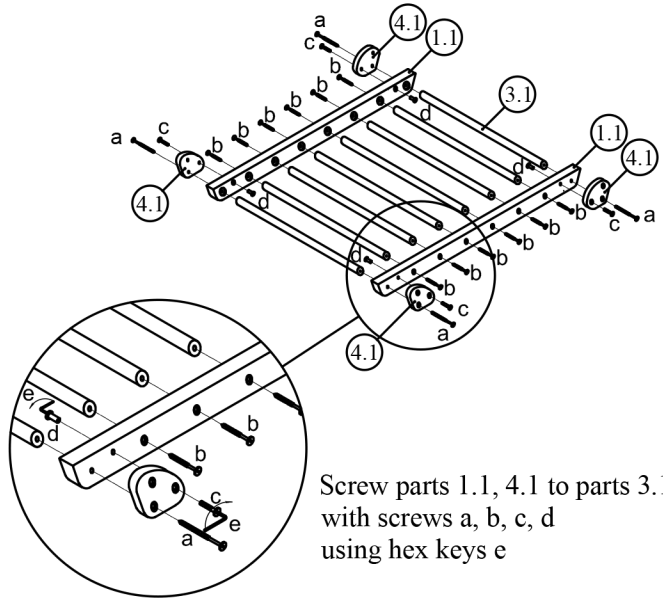


Screw parts 4.1 to parts 2.1 and 2.2 with screws c, d using hex keys e

Arch



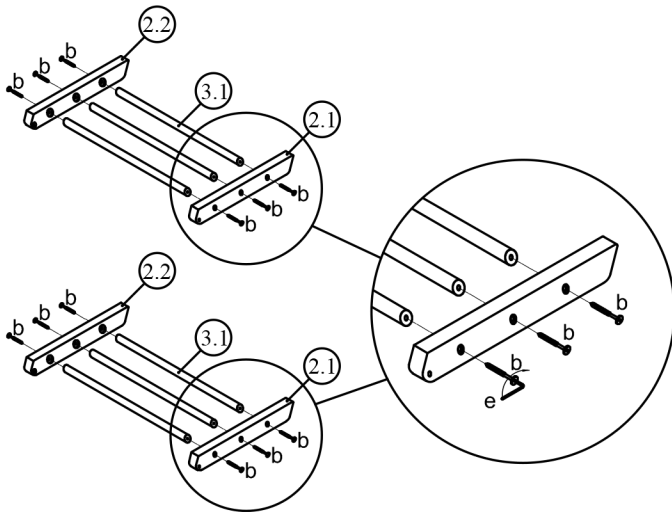
STEP 1



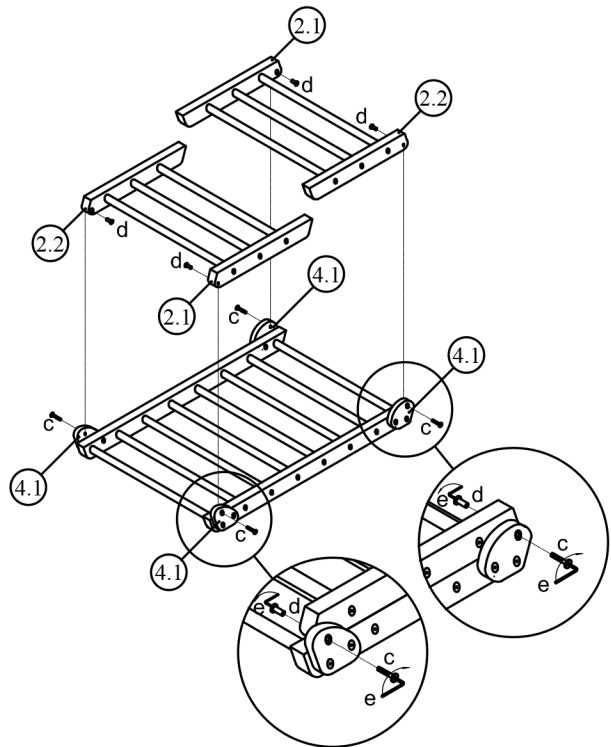
ASSEMBLY PARTS

| | | | | |
|--|--|--|--|-------------------------------------|
| <p>1.1 740 Long Sidewall (2pcs)</p> | <p>2.1 355 Short Sidewall Right (2pcs)</p> | | | |
| <p>2.2 355 Short Sidewall Left (2pcs)</p> | <p>3.1 Nog (14pcs)</p> | <p>4.1 Connector (4pcs)</p> | | |
| <p>a Flat head 60mm screw (4pcs - 1pc spare)</p> | <p>b Flat head 50mm screw (24pcs - 2pcs spare)</p> | <p>c Flat head 25mm screw (8pcs - 1pc spare)</p> | <p>d Flat head 17mm screw (8pcs - 1pc spare)</p> | <p>e 4mm hex key (2pcs)</p> |

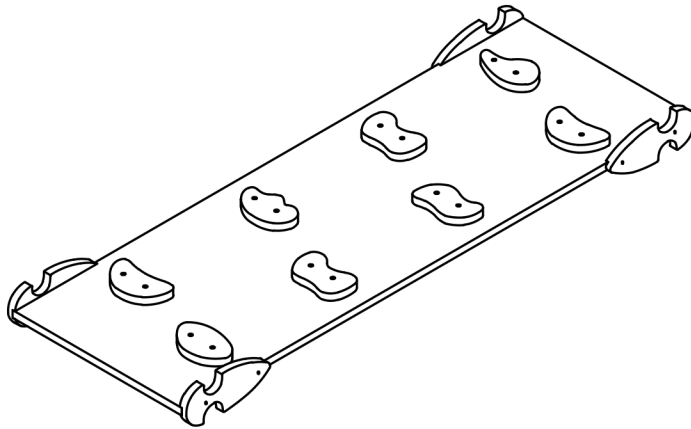
STEP 2



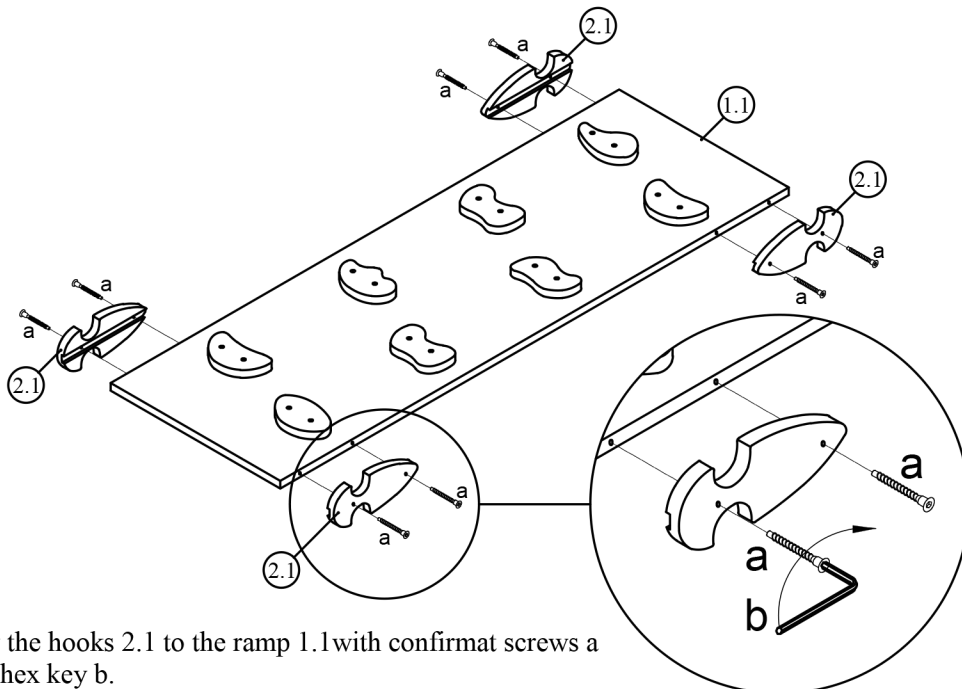
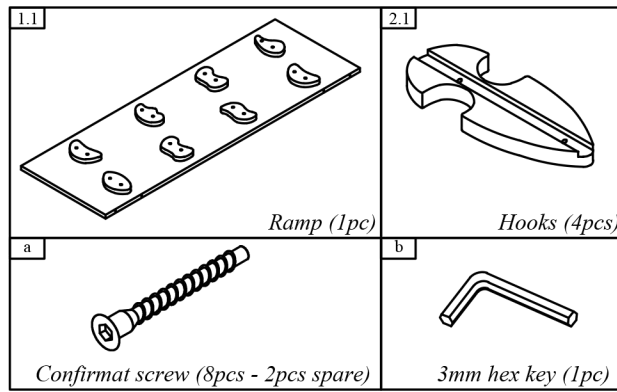
STEP 3



Ramp



ASSEMBLY PARTS



Screw the hooks 2.1 to the ramp 1.1 with confirmat screws a using hex key b.