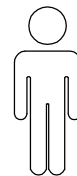
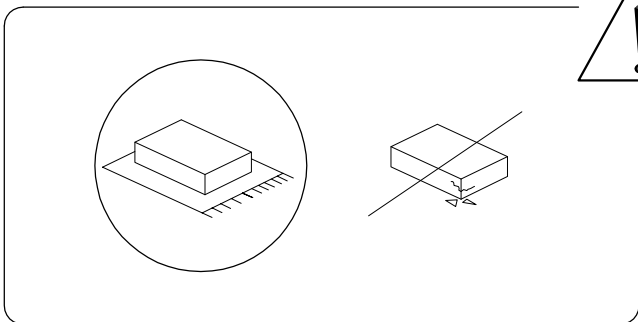
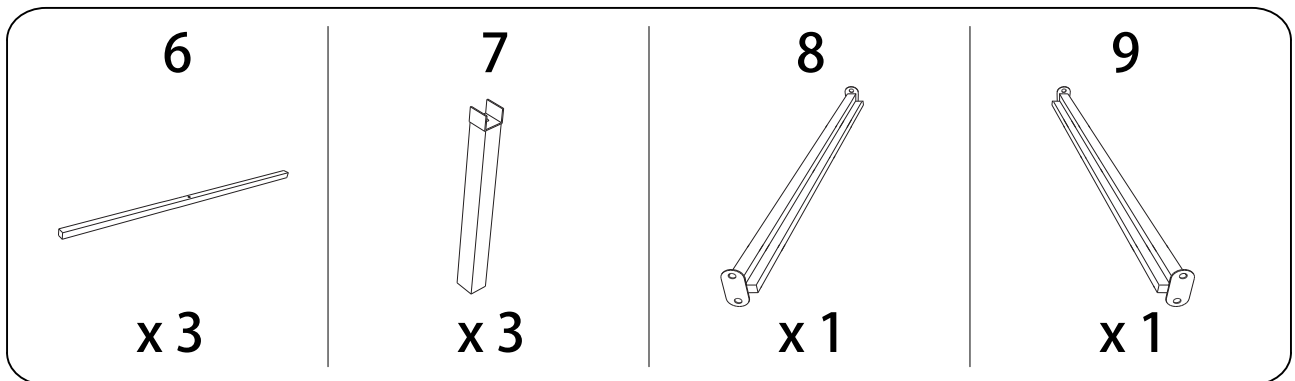
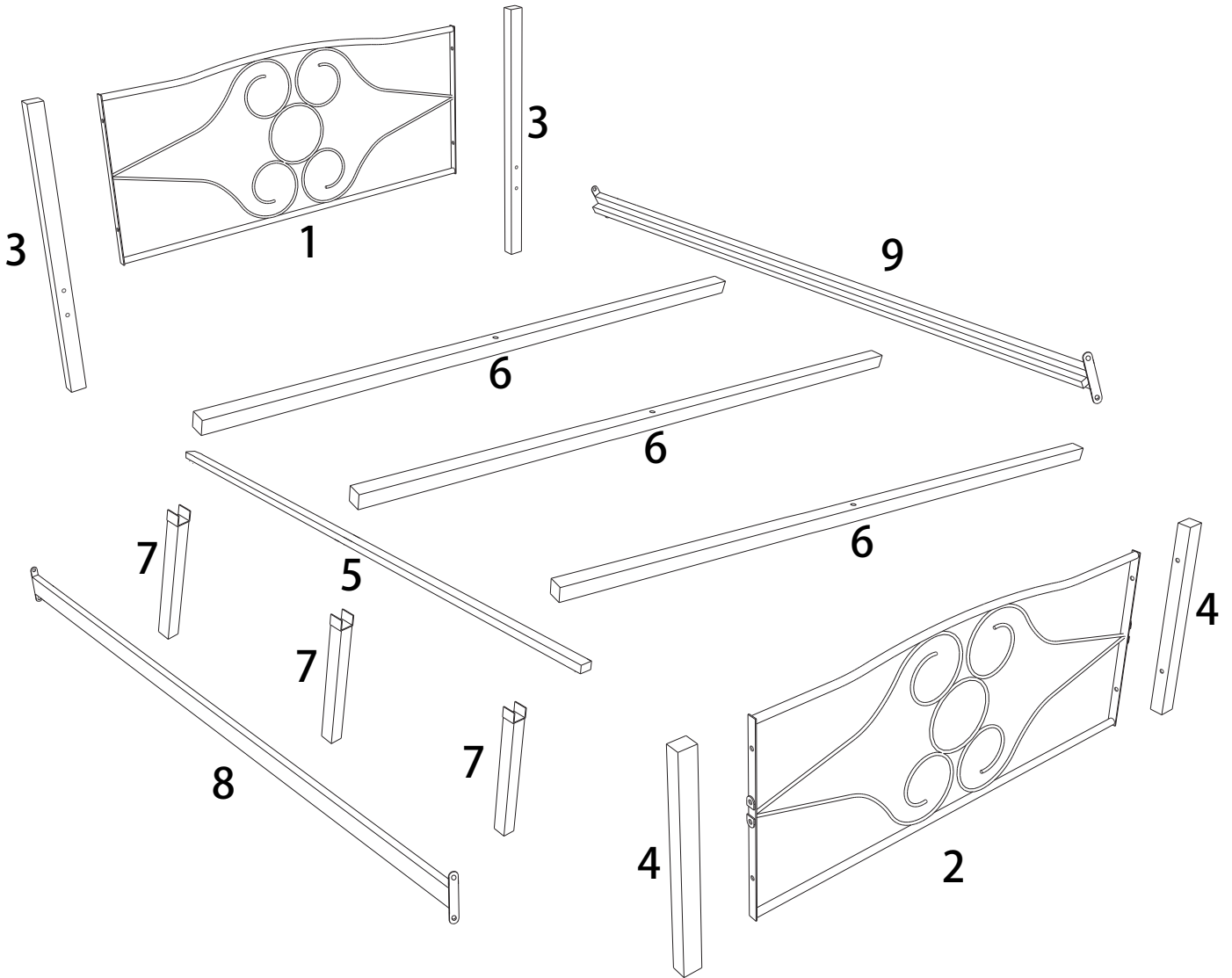
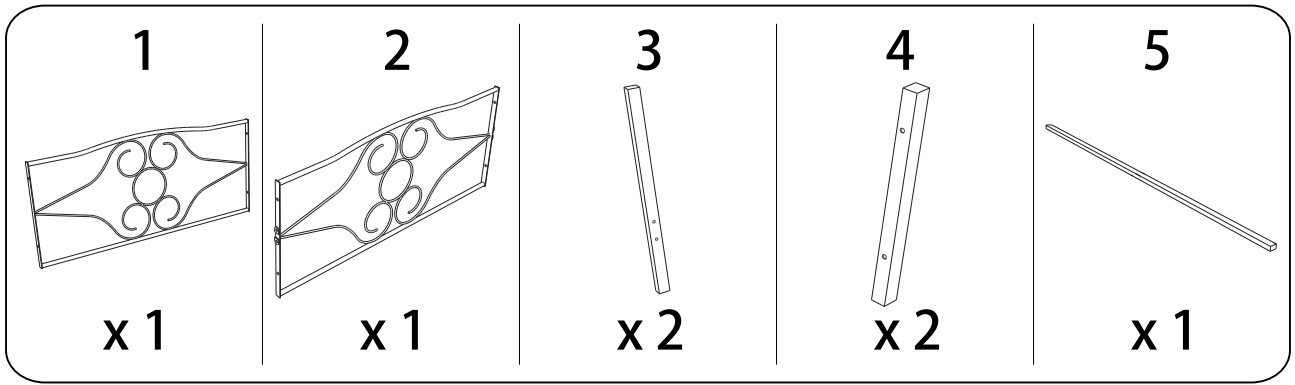


45'



2

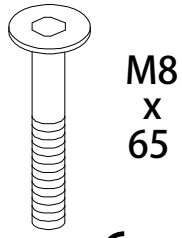


A



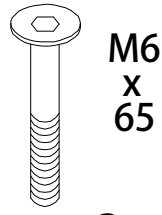
x 16

B



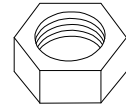
x 6

C



x 3

D



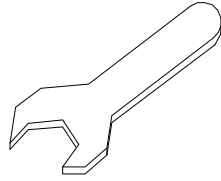
x 6

E



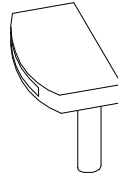
x 1

F



x 1

G



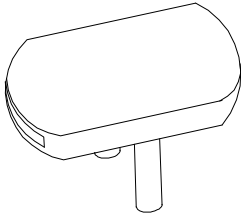
x 24

H



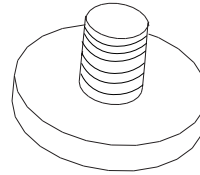
x 24

I



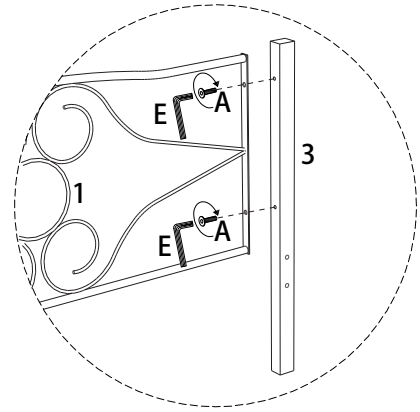
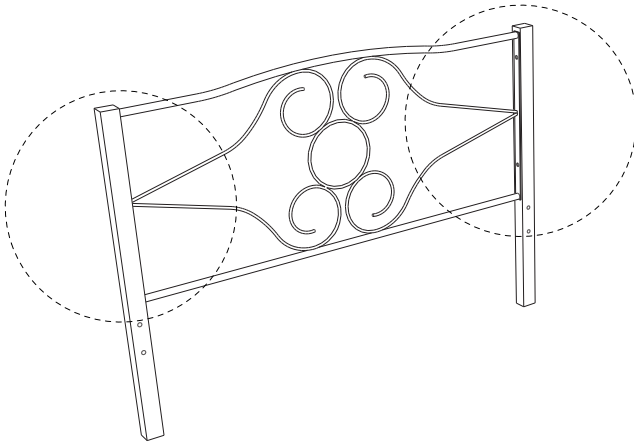
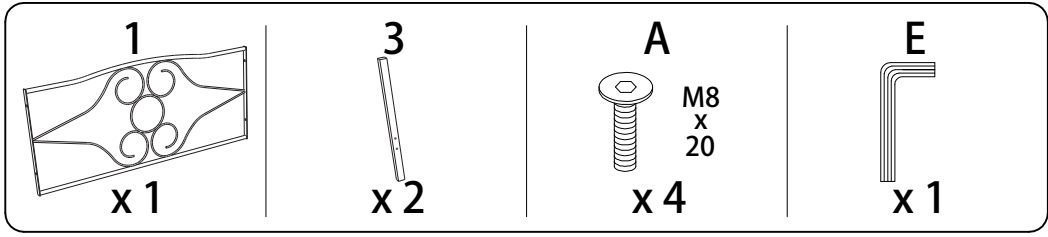
x 12

J

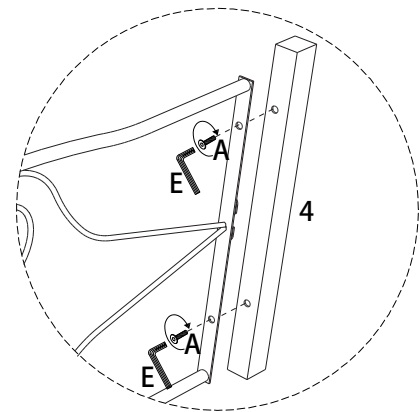
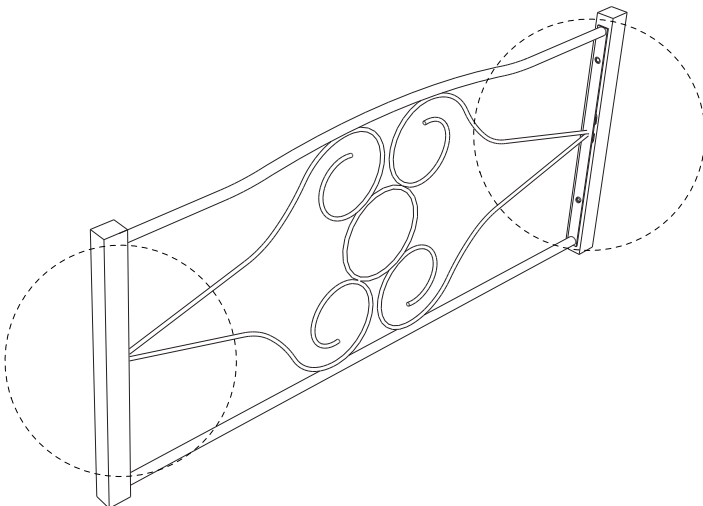
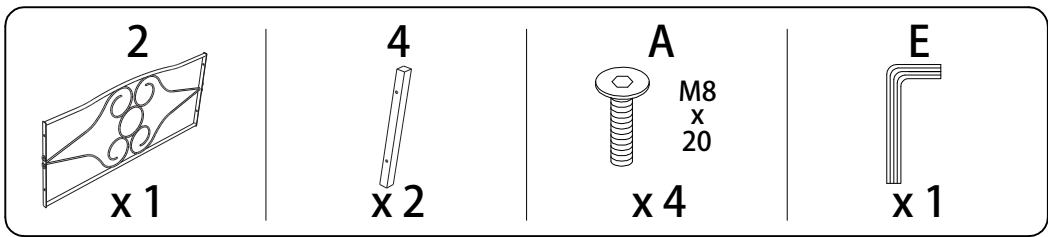


x 3

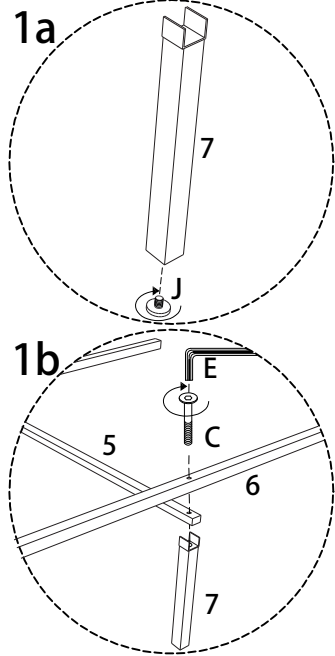
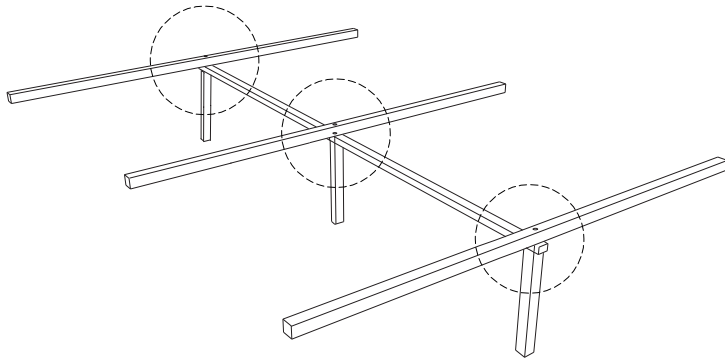
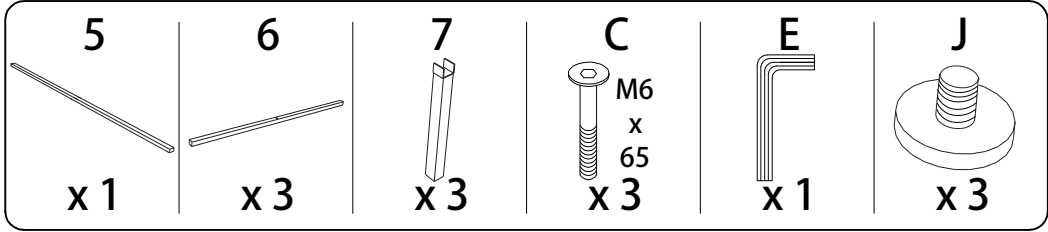
1



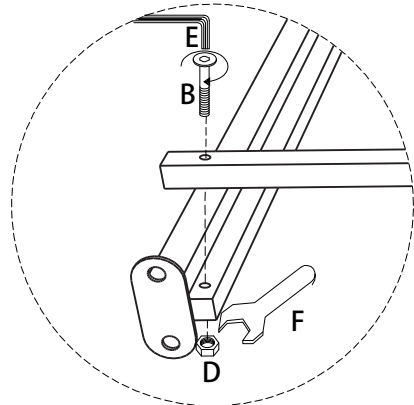
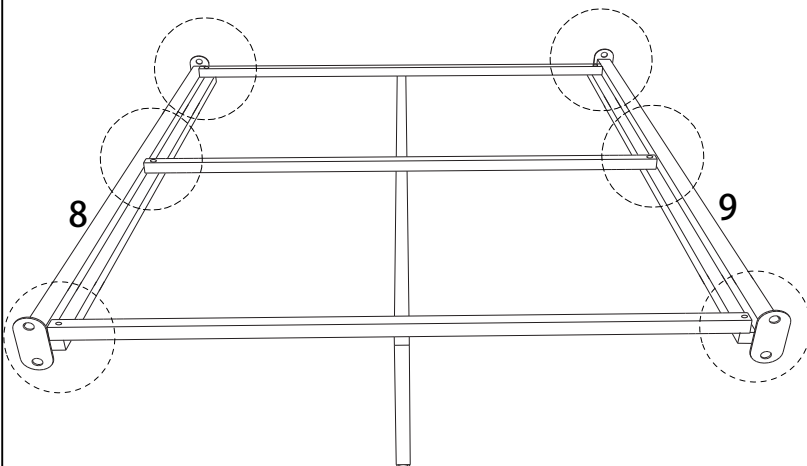
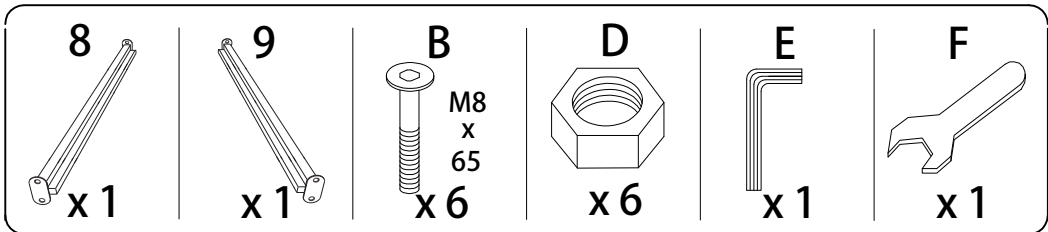
2



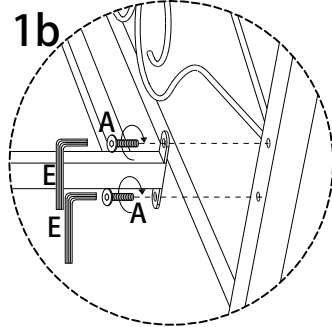
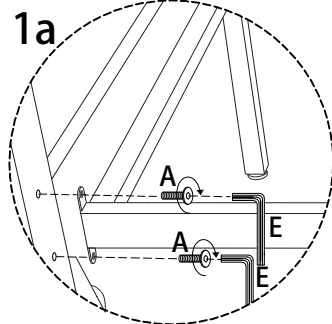
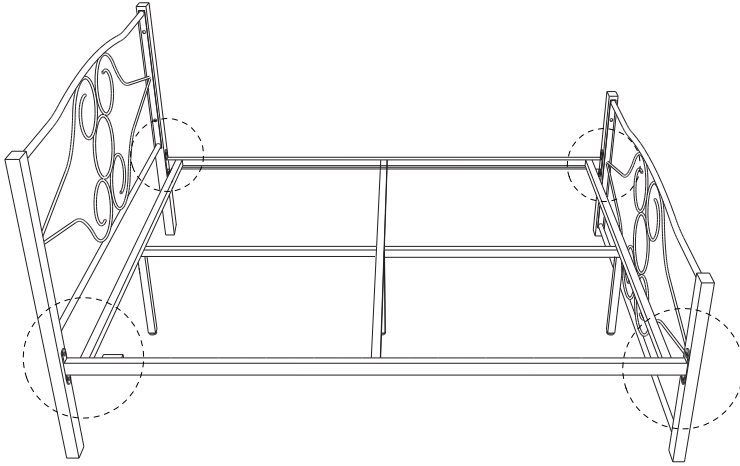
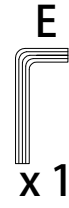
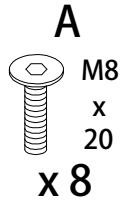
3



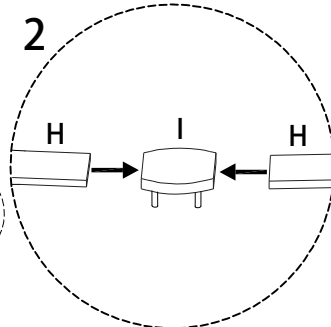
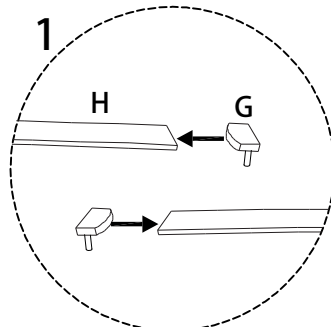
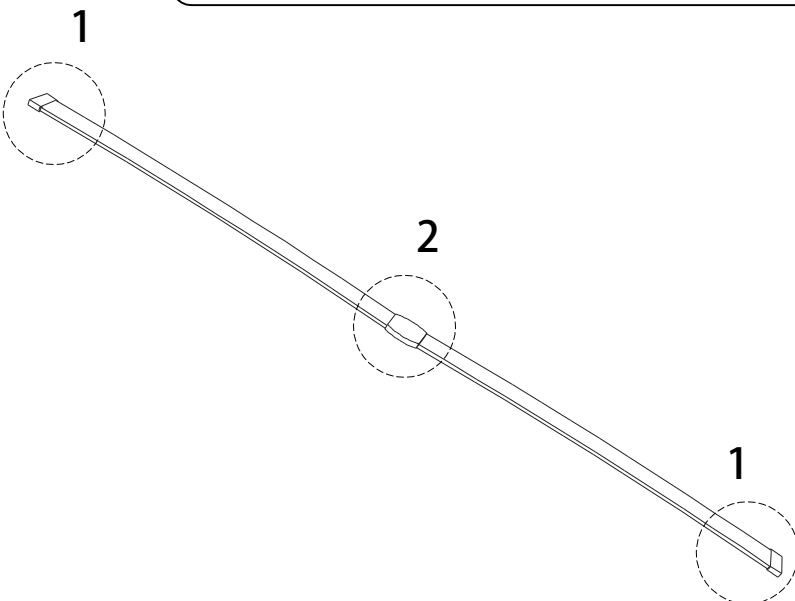
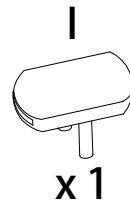
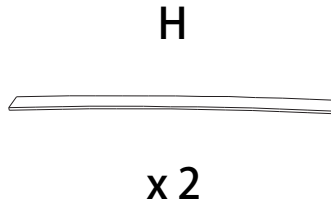
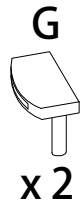
4



5



6 x 12



7

