

English

COMPUTER DESK

ASSEMBLY INSTRUCTIONS

Thank you for choosing to purchase from Piranha Furniture. We trust everything is as expected, however if there are **ANY** issues at all or you have further questions, please don't hesitate to email us and we will resolve the matter as quickly as possible:

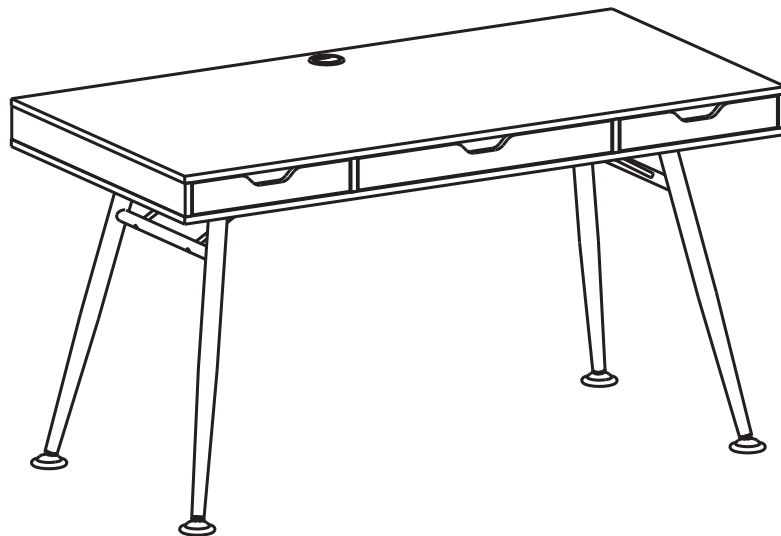
United Kingdom: sales@piranhafurniture.com

Rest of EU: info@piranhaeurope.com

You can contact us through our website www.piranhafurniture.com where you will also find our full range of products.

Please read the assembly instructions carefully before the installation

Retain all packaging as, if required, goods must be returned packed in the original cartons.



TWO PEOPLE REQUIRED

MODEL PC40

General Care:

Keep furniture out of direct sunlight. Use mats and coasters to protect surfaces.
Do not place hot or wet items directly onto unprotected surfaces.

Cleaning:

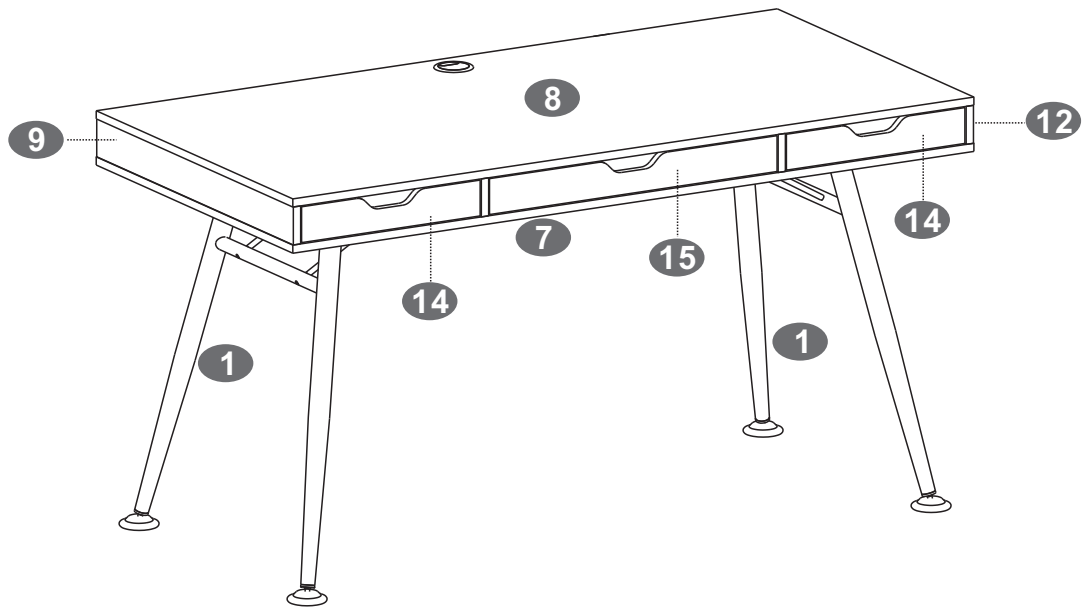
Wipe surfaces with a clean damp (not wet) cloth then dry with a clean lint free cotton cloth.
Glass surfaces may be polished with window or other glass cleaning liquids.

Piranha Trading Ltd

B02 170517



■ PARTS LIST



1/2 means this part is packed inside 1st carton
2/2 means this part is packed inside 2nd carton

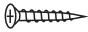

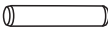
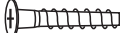


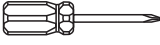



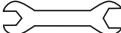
 1 2/2	 2 2/2	 3 2/2
X2	X4	X1
 4 2/2	 5 2/2	 6 2/2
X1	X4	X3
 7 1/2	 8 1/2	
X1	X1	



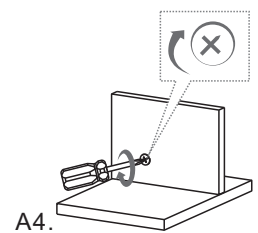
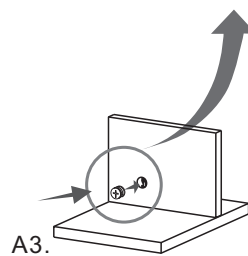
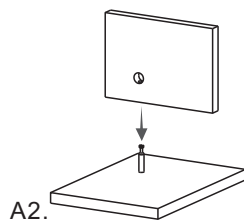
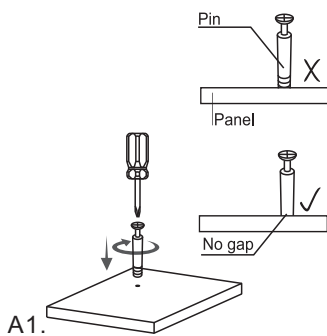
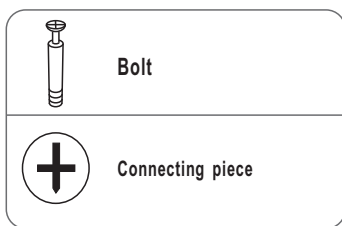
$\frac{1}{2}$ X1	$\frac{1}{2}$ X1	$\frac{1}{2}$ X1	$\frac{1}{2}$ X1
$\frac{1}{2}$ X1	$\frac{1}{2}$ X2	$\frac{1}{2}$ X1	$\frac{1}{2}$ X6
$\frac{2}{2}$ X3	$\frac{1}{2}$ X3	$\frac{1}{2}$ X2	$\frac{1}{2}$ X2
$\frac{1}{2}$ X1	$\frac{1}{2}$ X1		



▪SCREWS LIST

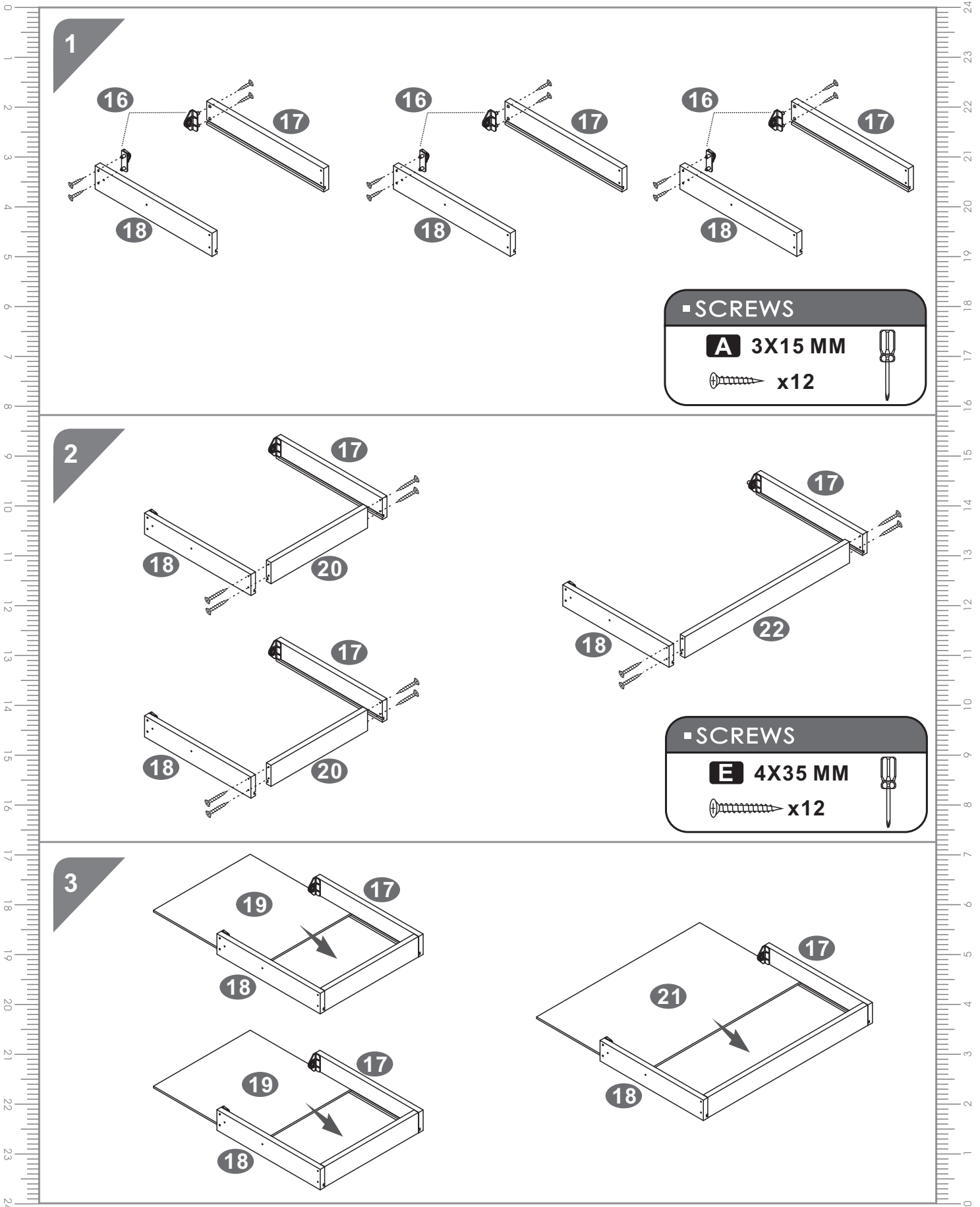
PART	QTY.	ITEM		PART	QTY.	ITEM	
A	36	3X15 MM		G			
B	14	6X40 MM		H	16	8X30 MM	
C	10	5X40 MM		I	14	Φ 15 MM	
D	8	6X35 MM			1		
E	12	4X35 MM			1		
F	26	6X15 MM			1		

6X40MM BOLT INSTALLATION AS BELOW:

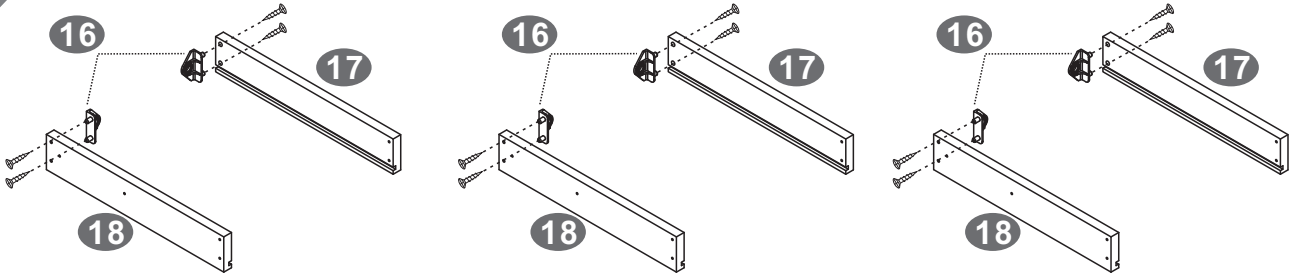




■ ASSEMBLY STEPS:



1



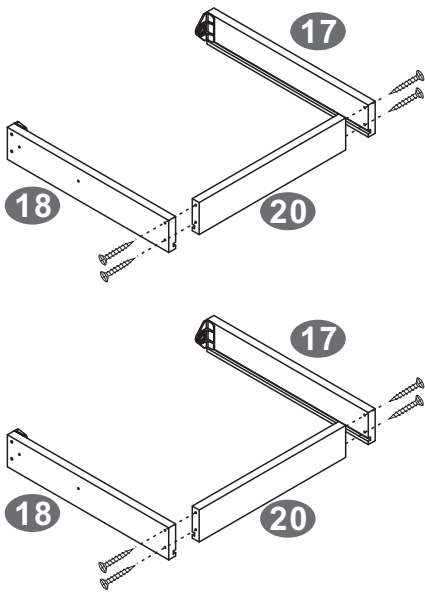
■ SCREWS

A 3X15 MM

 x12



2



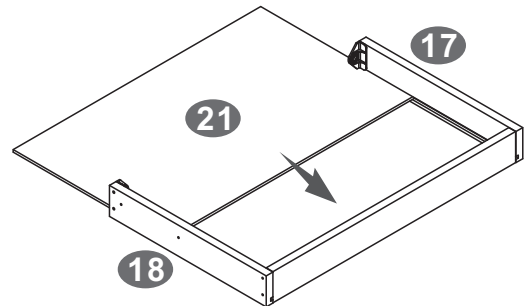
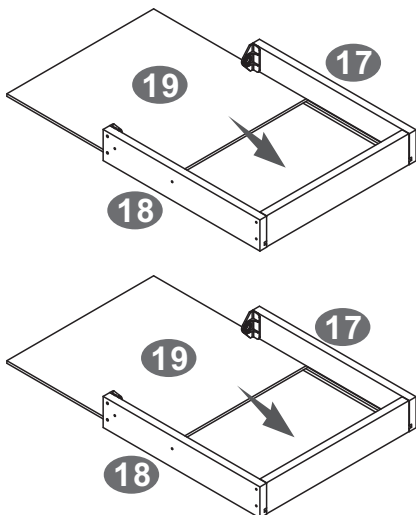
■ SCREWS

E 4X35 MM

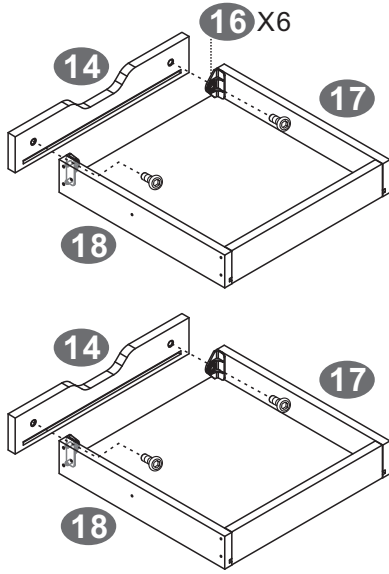
 x12



3



4



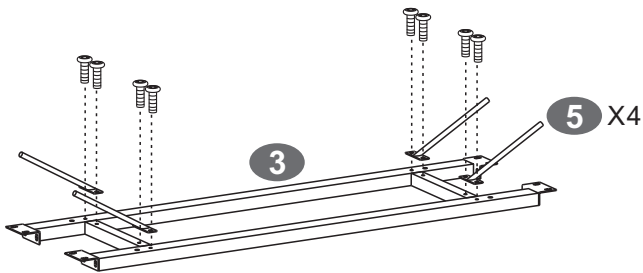
■ SCREWS

F 6X15MM

☉ x6



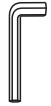
5



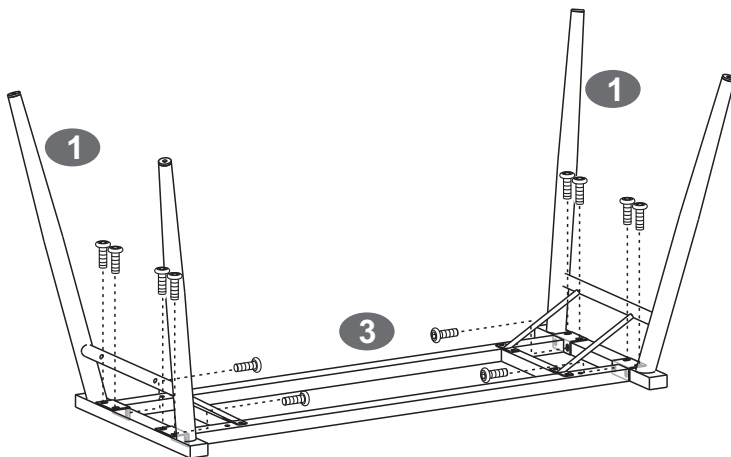
■ SCREWS

F 6X15MM

☉ x8



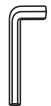
6



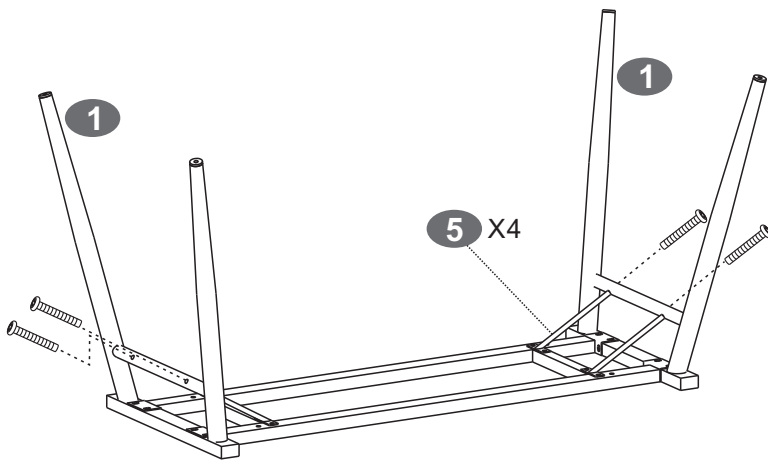
■ SCREWS

F 6X15MM

☉ x12



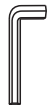
7



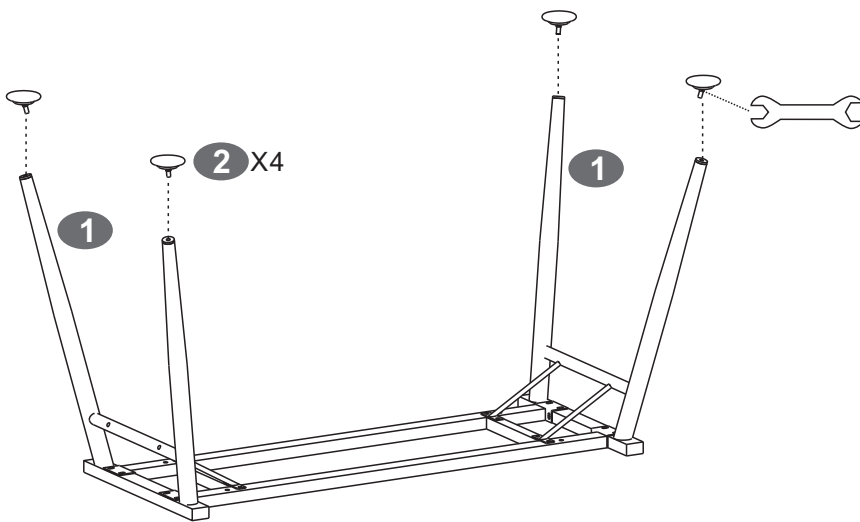
■ SCREWS

D 6X35MM

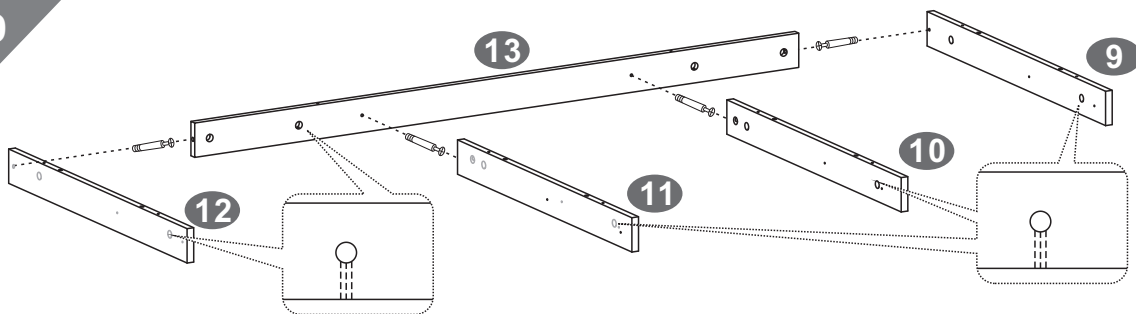
 x4



8




9



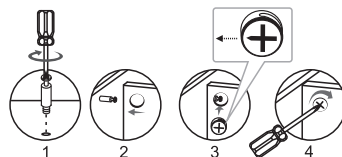
■ SCREWS

B 6X40 MM

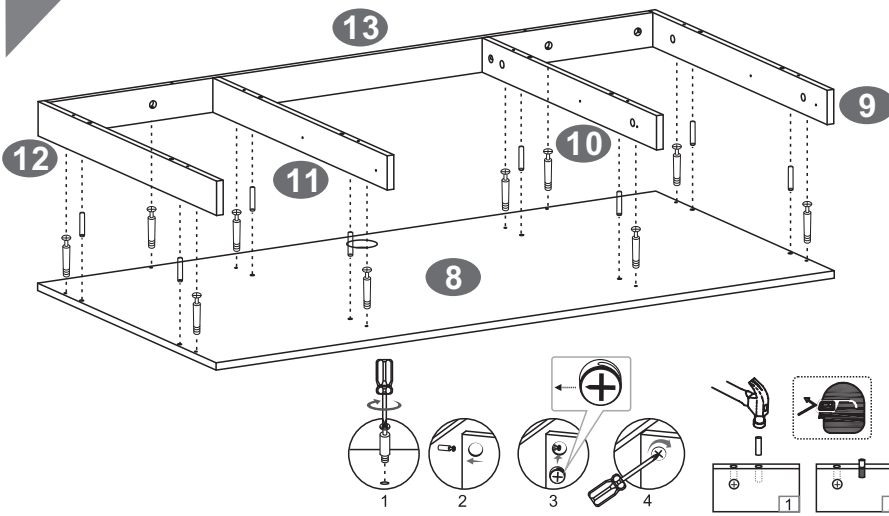
 x4

L Φ 15 MM

 x4



10



SCREWS

B 6X40 MM

x10

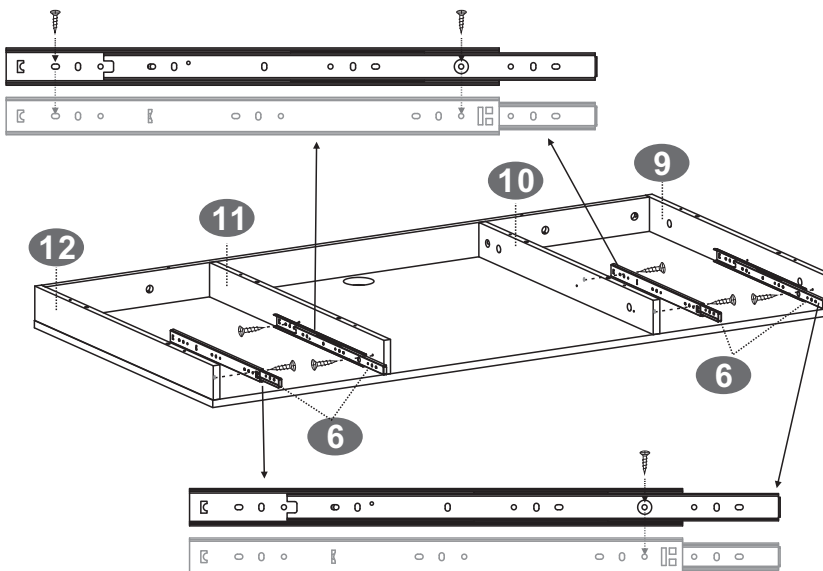
I Φ 15 MM

x10

H 8X30 MM

x8

11

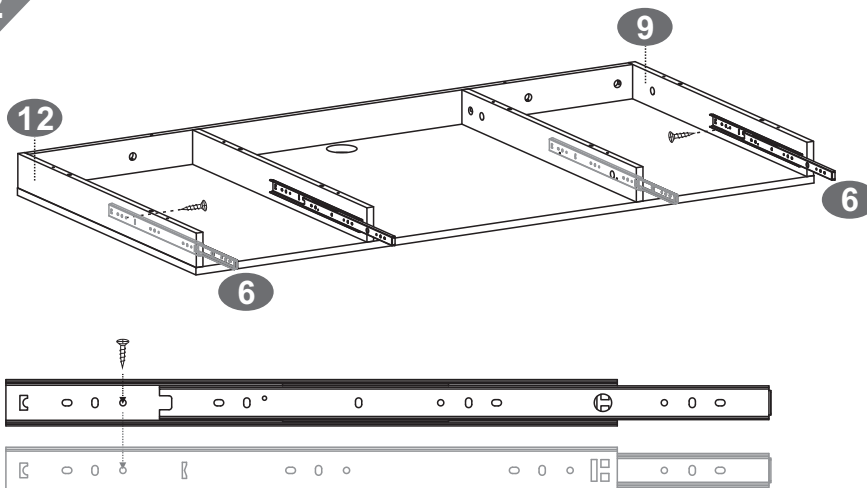


SCREWS

A 3X15 MM

x6

12

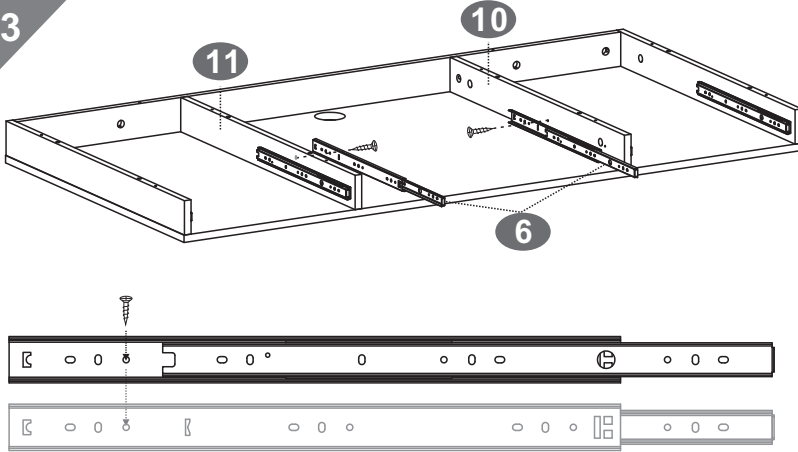


SCREWS

A 3X15 MM

x2

13



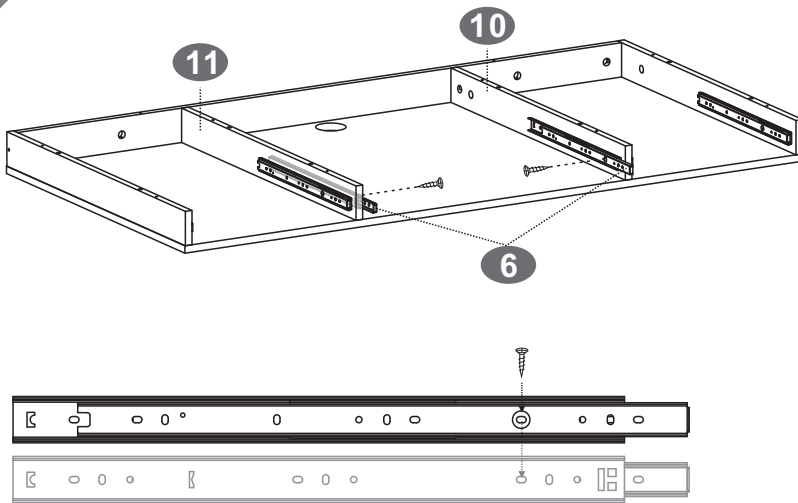
SCREWS

A 3X15 MM

x2



14



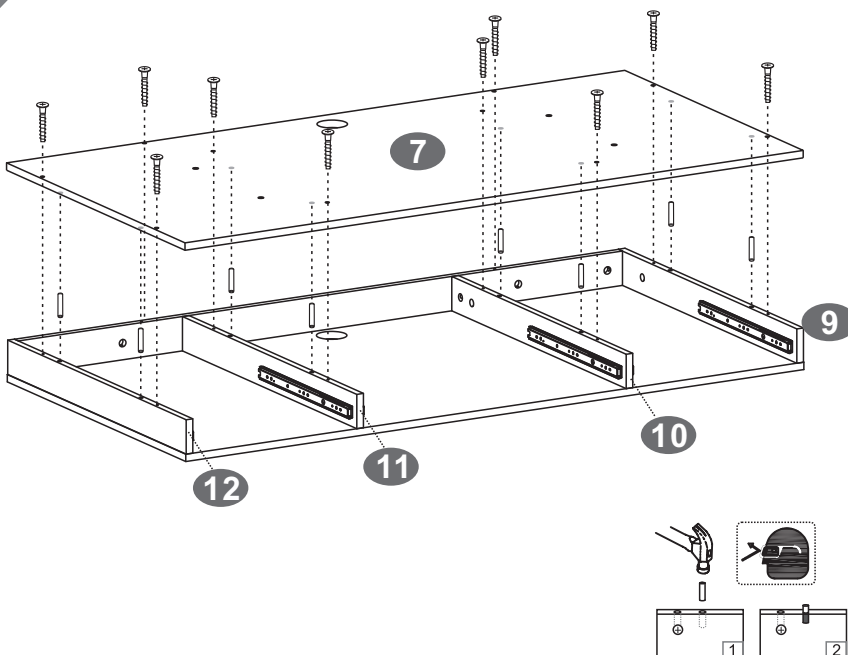
SCREWS

A 3X15 MM

x2



15



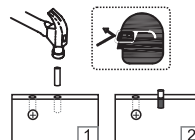
SCREWS

C 5X40 MM

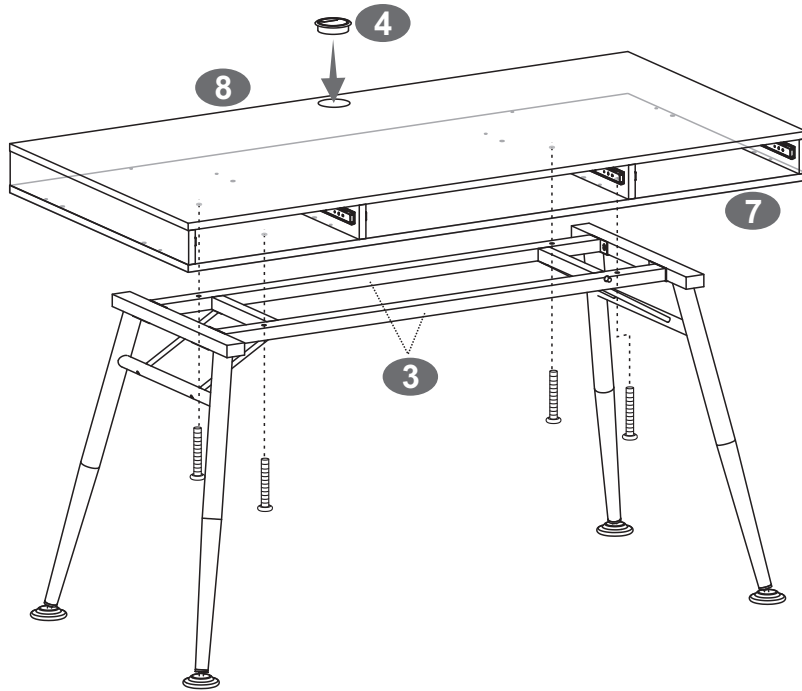
x10

H 8X30 MM

x8



16



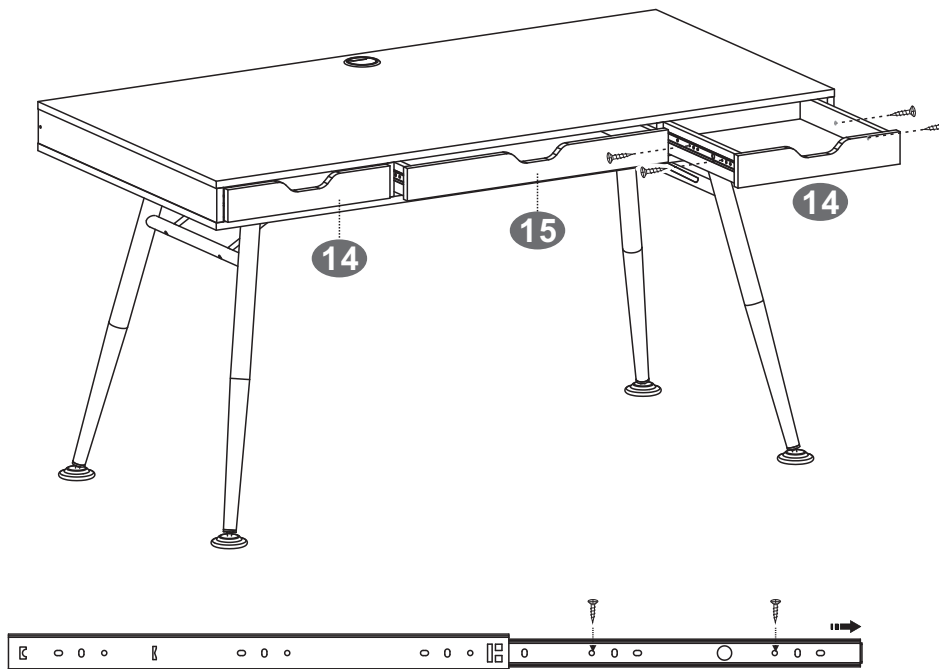
■ SCREWS

D 6X35MM

 x4



17



■ SCREWS

A 3X15 MM

 x12

