

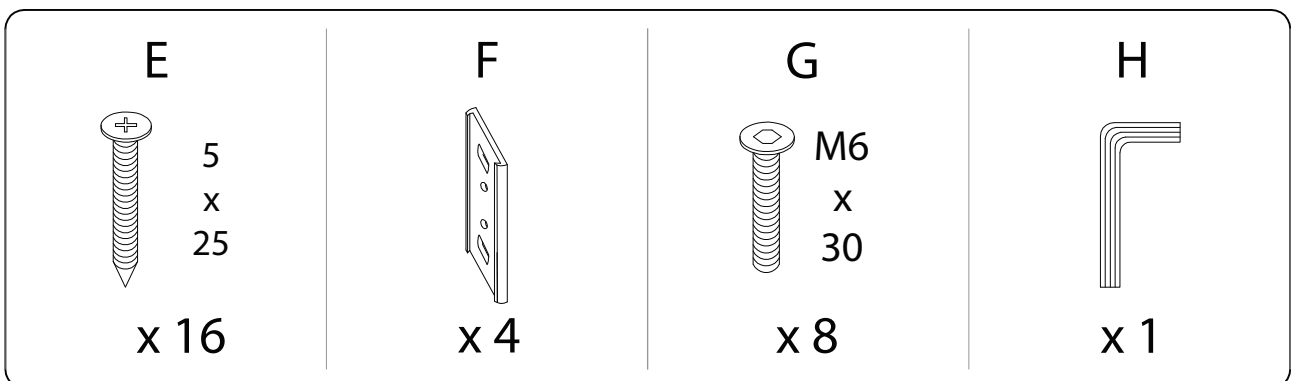
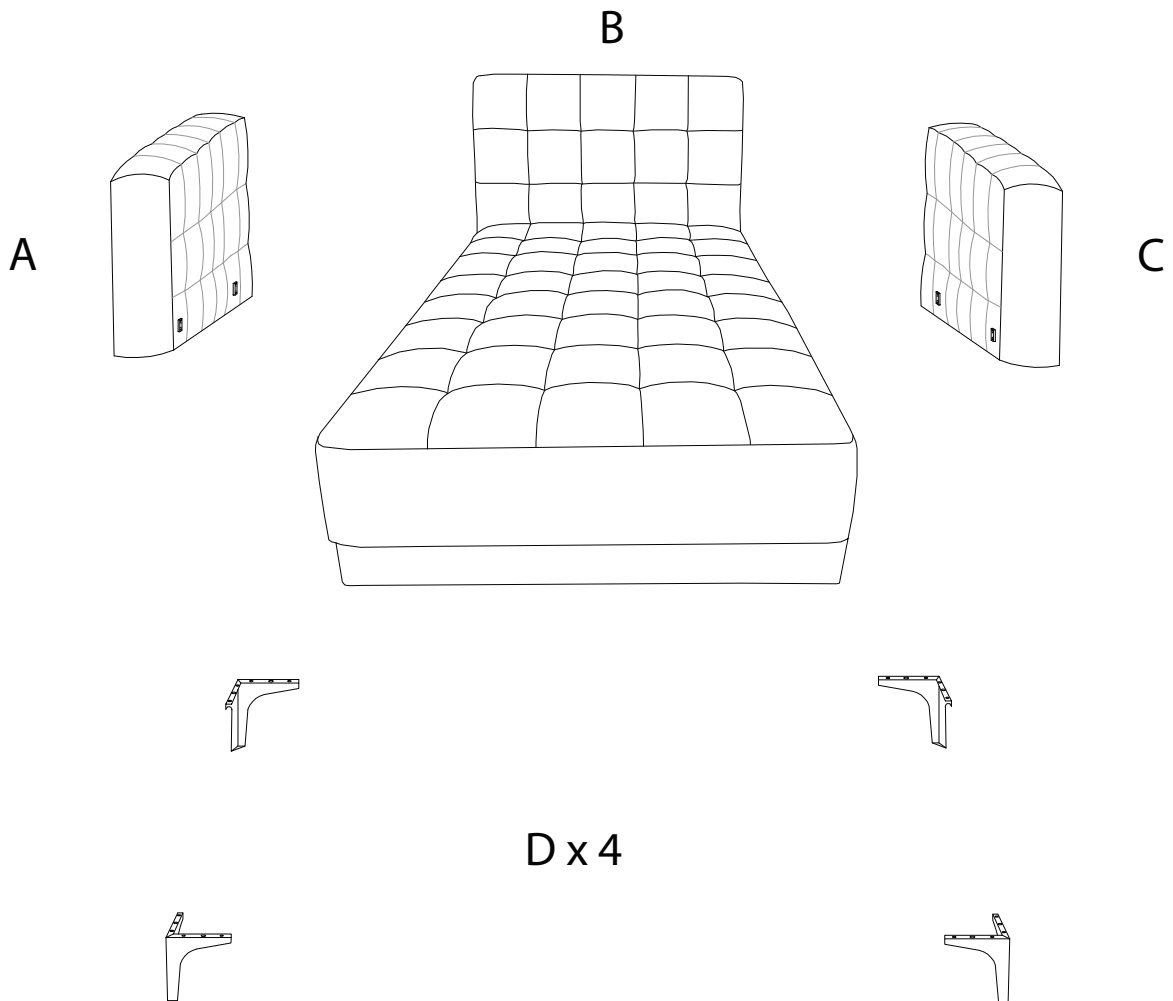
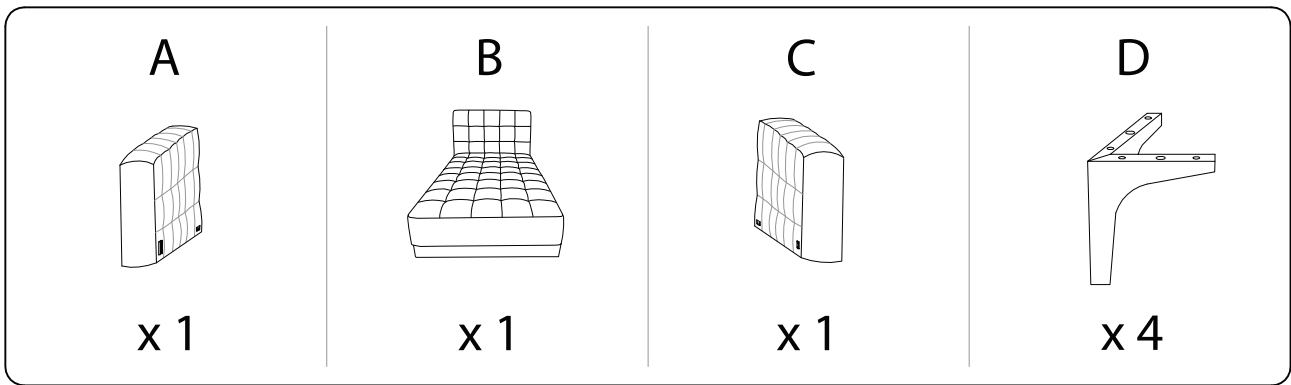
Assembly instructions for the chair, including tool requirements, time, and personnel.

Tools: An icon shows an Allen key and a screwdriver inside a circle, and a power drill with a slash through it, indicating that a power drill is not required.

Warning: A triangle with an exclamation mark indicates a warning.

Time: A clock icon is shown next to the number **30'**, indicating the estimated assembly time.

Personnel: An icon of a person is shown next to the number **2**, indicating that two people are required for assembly.



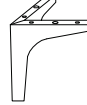
1

B



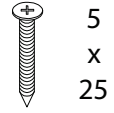
x 1

D

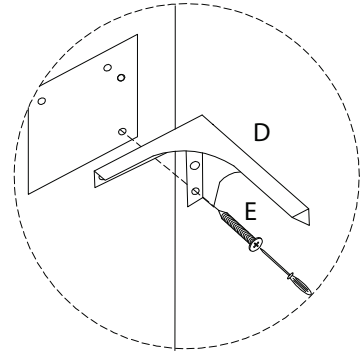
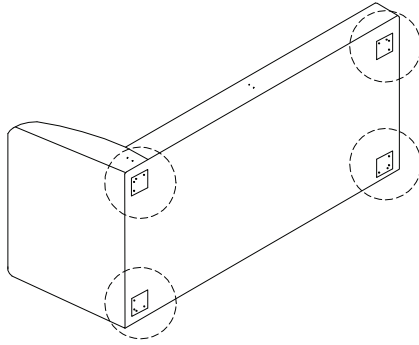


x 4

E



x 16



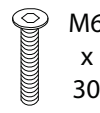
2

F



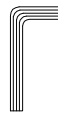
x 4

G

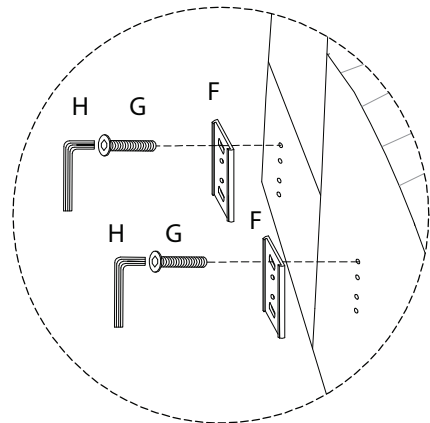
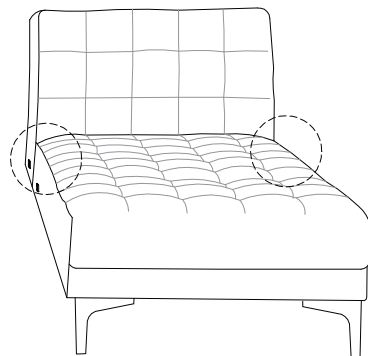


x 8

H



x 1



3

A



x 1

C



x 1

