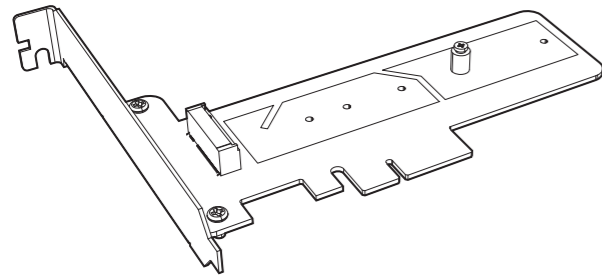


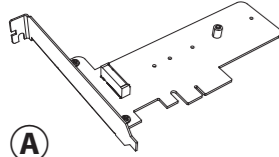
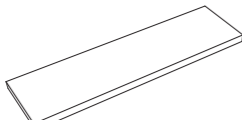
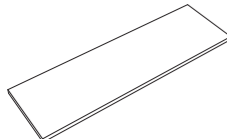
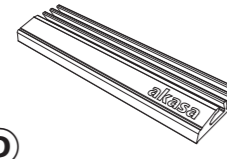
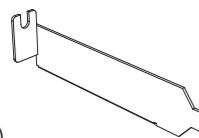
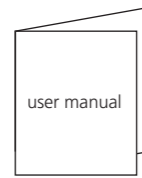
M.2 SSD to PCIe adapter card with heatsink cooler



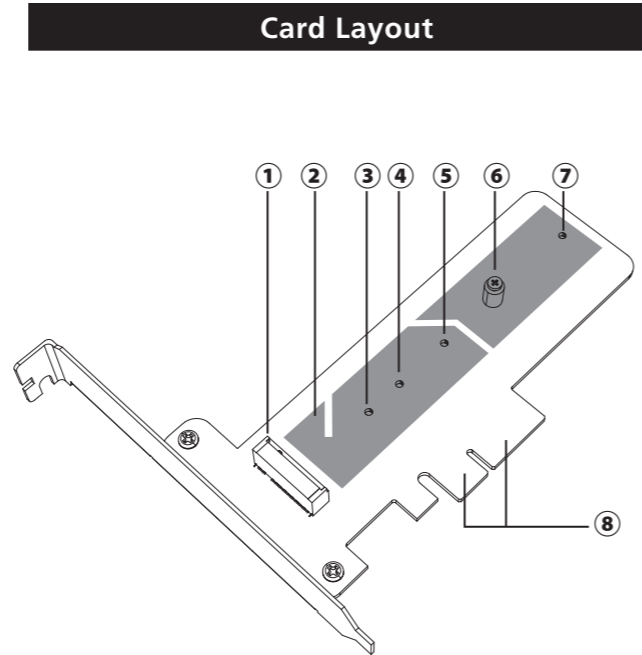
User Manual

Product Code: AK-PCCM2P-02

Contents

 <p>A</p>	 <p>B T:2.3mm</p>
 <p>C T:1.5mm</p>	 <p>D</p>
 <p>E</p>	 <p>F user manual</p>

Note:
Please tear away the protective layer from the thermally conductive pads in figures **B** and **C** before using.



- ① M.2 PCIe socket (M key)
- ② Copper
- ③ ④ ⑤ ⑥ ⑦ Standoffs for M.2 SSD (2230, 2242, 2260, 2280 or 22110 size)
- ⑧ PCIe bus connector

