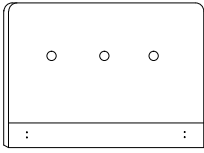
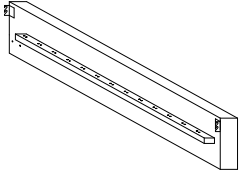
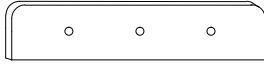

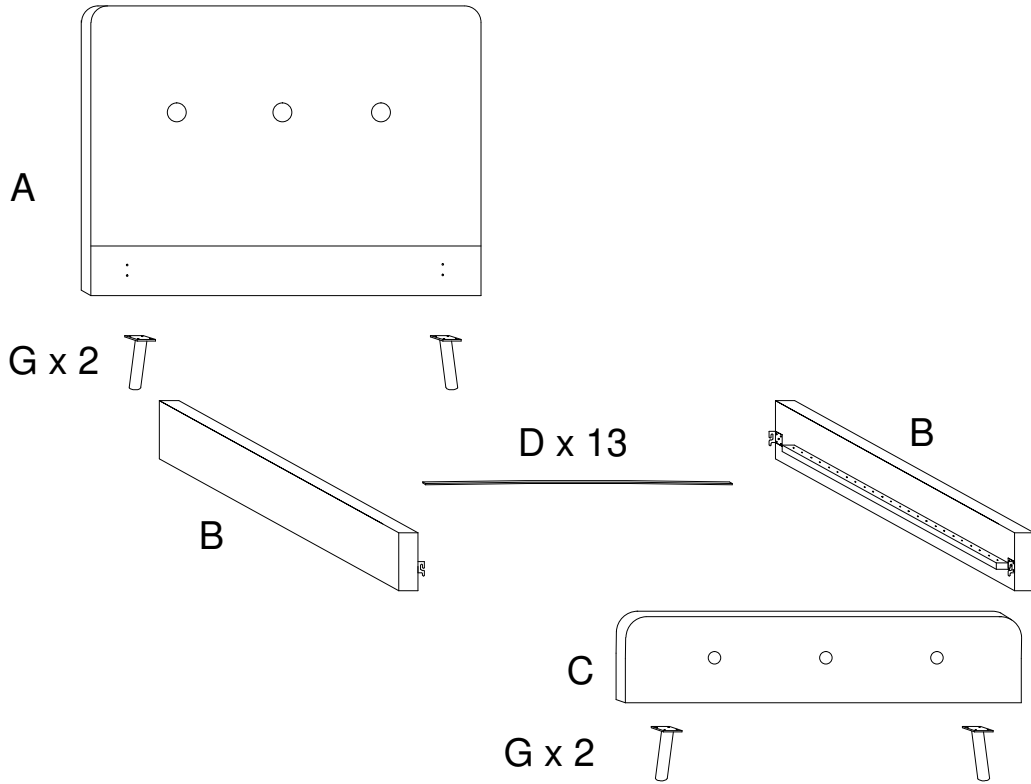
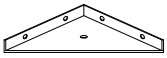


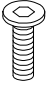
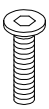
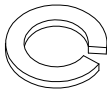
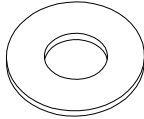



Diagram illustrating assembly steps and safety warnings:

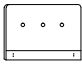
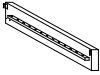

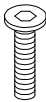

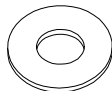
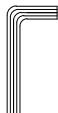
- Step 1:** Shows an L-shaped metal bracket being inserted into a hole. A power drill is shown with a diagonal line through it, indicating it should not be used. A warning triangle with an exclamation mark is positioned to the right.
- Step 2:** Shows a rectangular block being placed on a slatted base. A diagonal line through the block indicates it should not be used. A warning triangle with an exclamation mark is positioned to the right.
- Time:** A clock icon is shown with the text **60'** below it, indicating the estimated assembly time.
- Personnel:** A person icon is shown with the text **2** below it, indicating the number of people required for assembly.

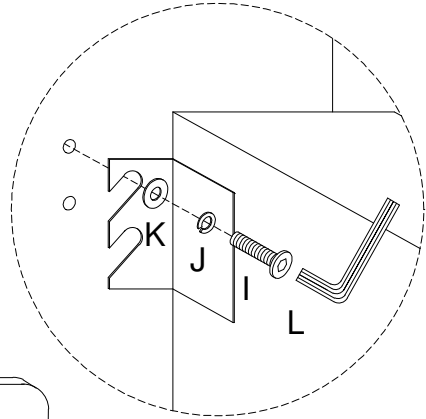
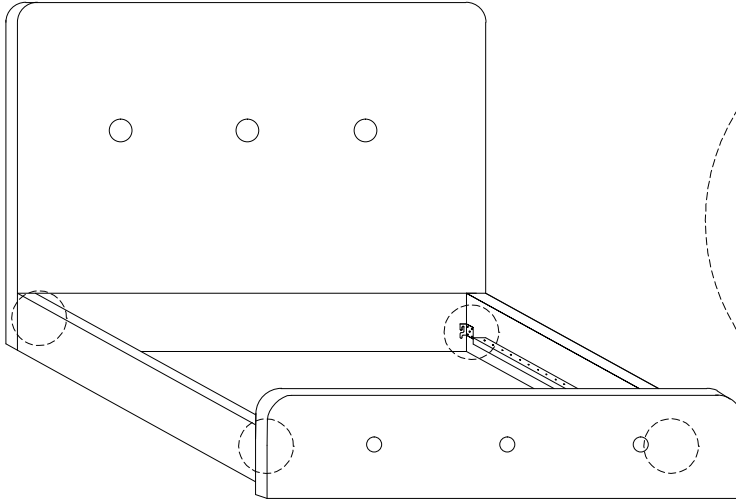
<p>A</p>  <p>x 1</p>	<p>B</p>  <p>x 2</p>	<p>C</p>  <p>x 1</p>	<p>D</p>  <p>x 13</p>
---	---	--	--



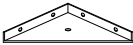
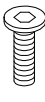

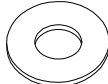
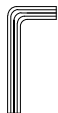
<p>E</p>  <p>x 4</p>	<p>F</p>  <p>x 4</p>	<p>G</p>  <p>x 26</p>	<p>H</p>  <p>M8 x 25</p> <p>x 16</p>
<p>I</p>  <p>M8 x 30</p> <p>x 12</p>	<p>J</p>  <p>x 28</p>	<p>K</p>  <p>x 28</p>	<p>L</p>  <p>x 1</p>

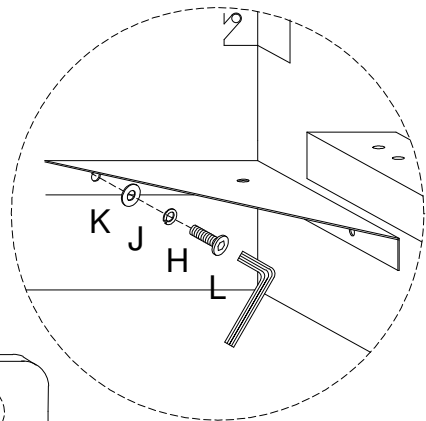
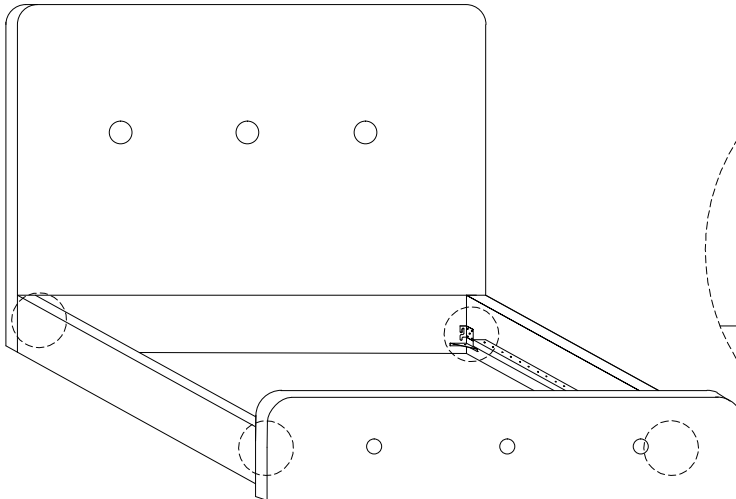
1

A  x 1	B  x 2	C  x 1	I  M8 x 30 x 8	J  x 8	K  x 8	L  x 1
--	--	--	--	---	--	--



2

E  x 4	H  M8 x 25 x 16	J  x 16	K  x 16	L  x 1
--	---	---	---	--



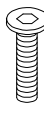
3

F



x 4

I



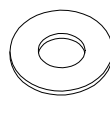
x 4

J



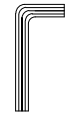
x 4

K

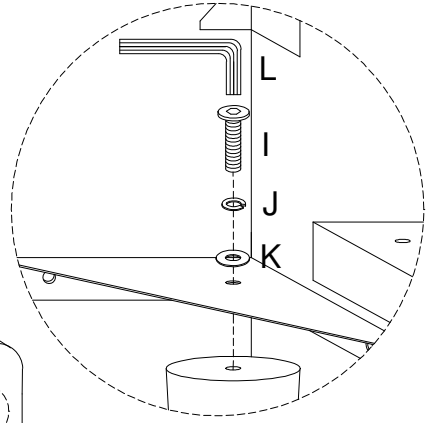
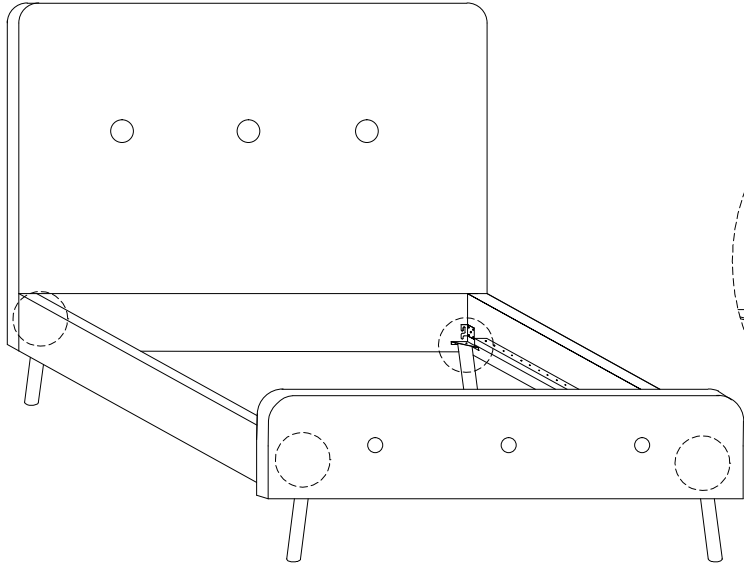


x 4

L



x 1



4

D

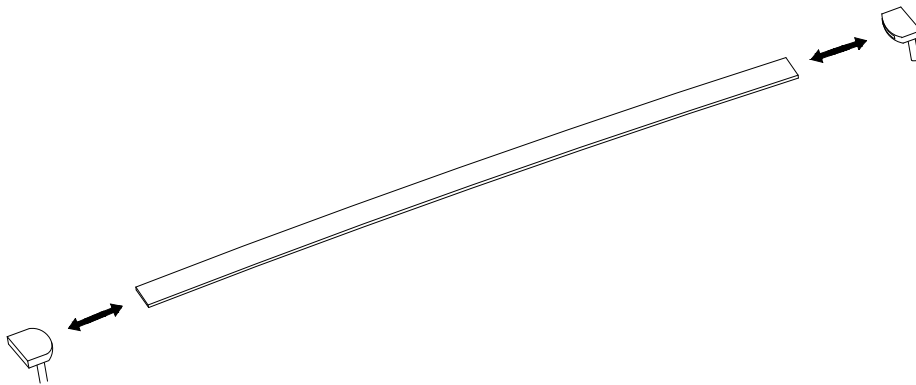


x 13

G



x 26



5

