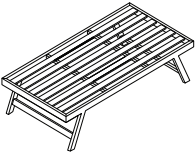
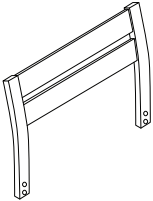
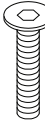
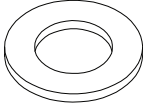
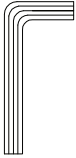
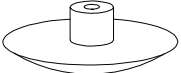
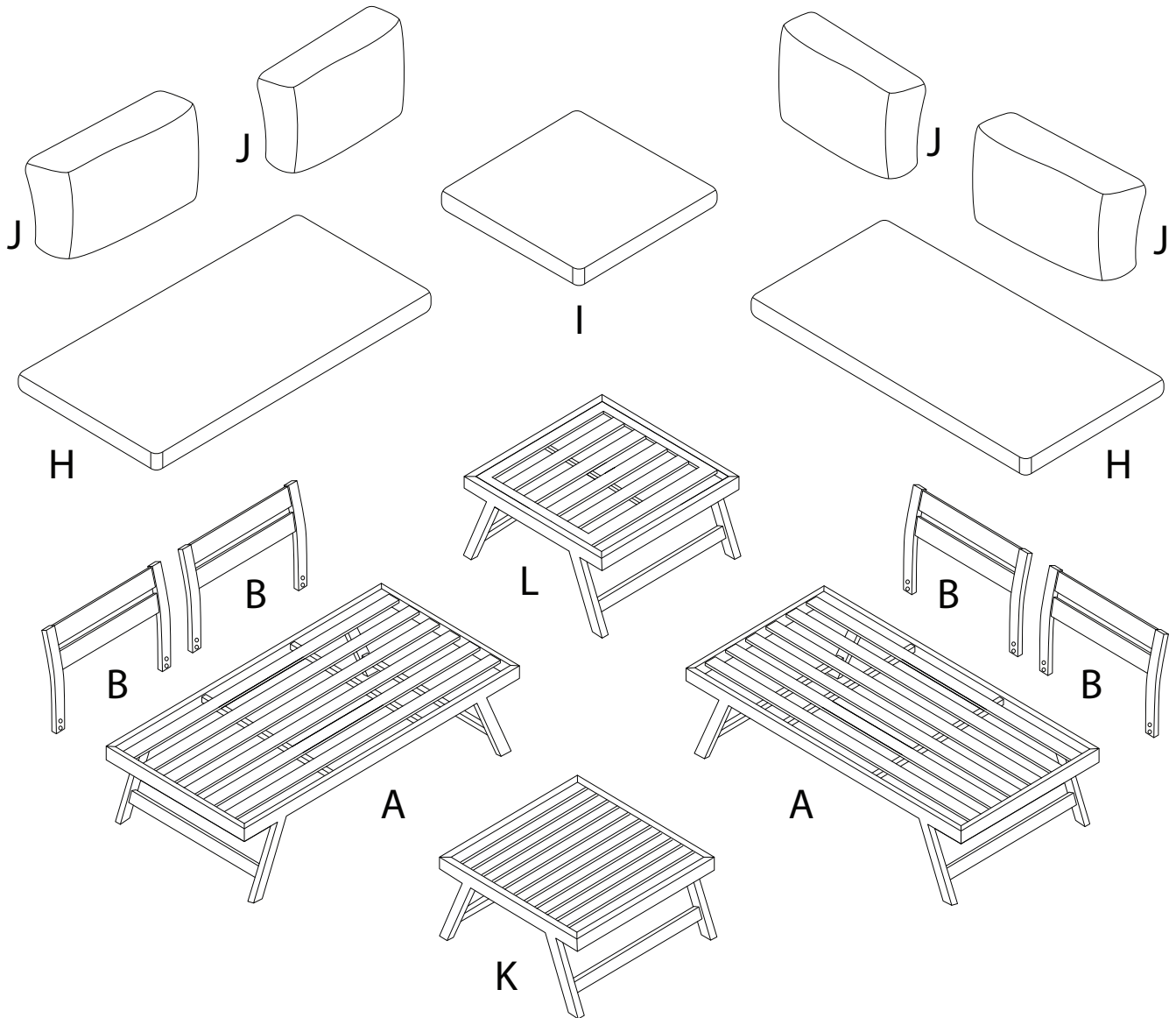
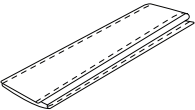
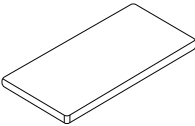
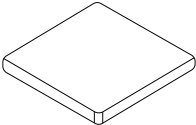
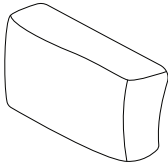
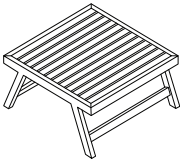
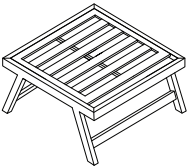


Assembly instructions for step 1/6:

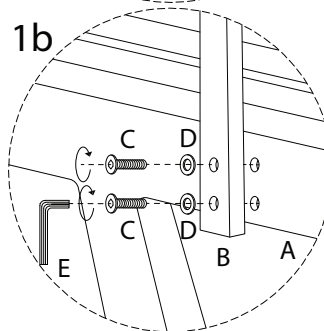
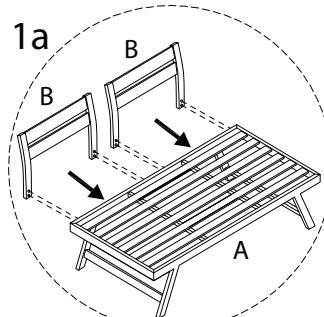
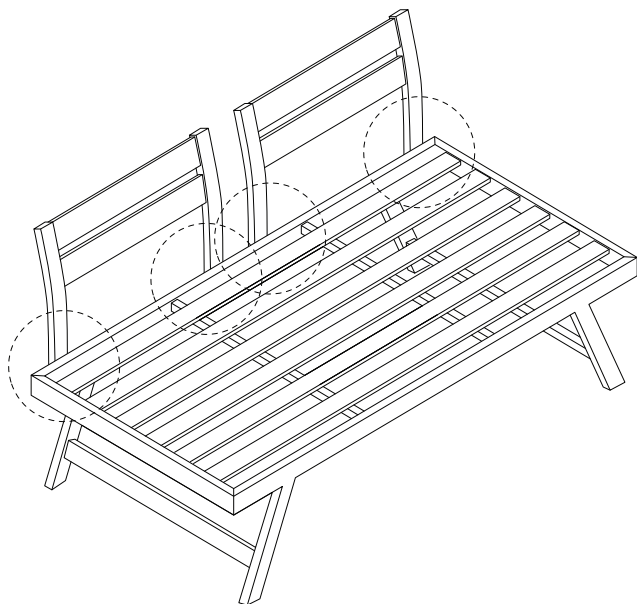
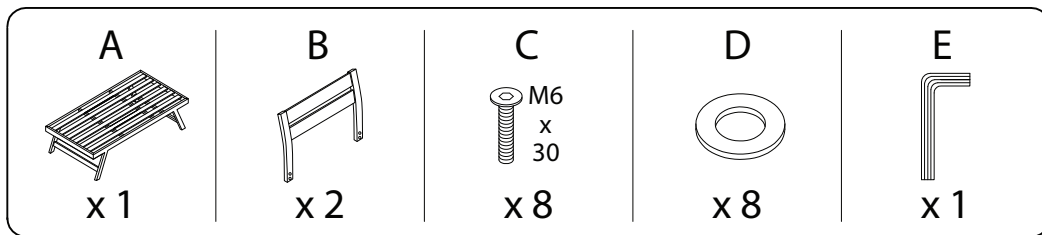
- Warning:** Do not use a power drill. Use an Allen key (shown in a circle) to tighten the corner brackets.
- Warning:** Do not place the sofa on a soft surface like a rug. Place it on a hard, flat surface (shown in a circle).
- Time:** 30 minutes.
- Personnel:** 2 people.

A	B	C	D	E	F
		 M6 x 30			
x 2	x 4	x 16	x 16	x 1	x 16

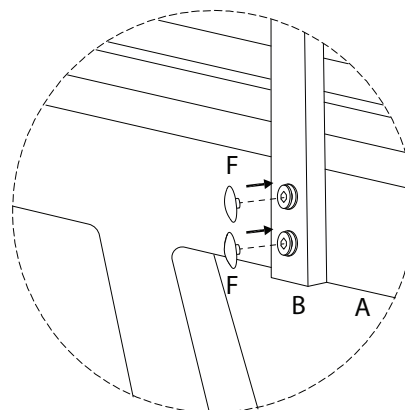
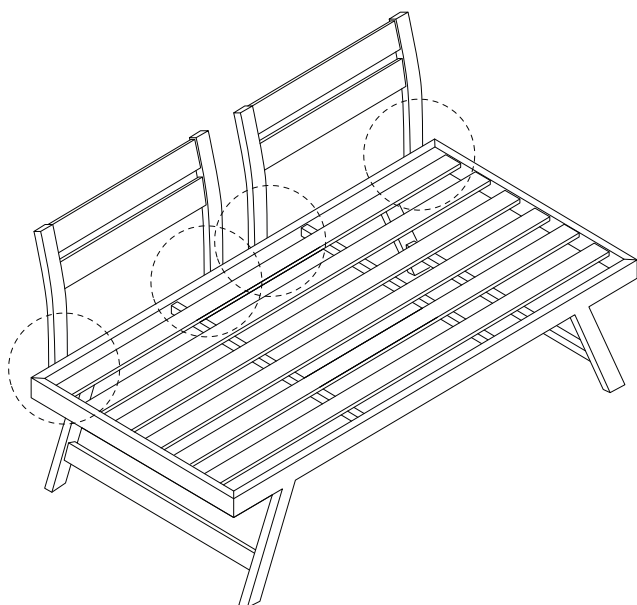
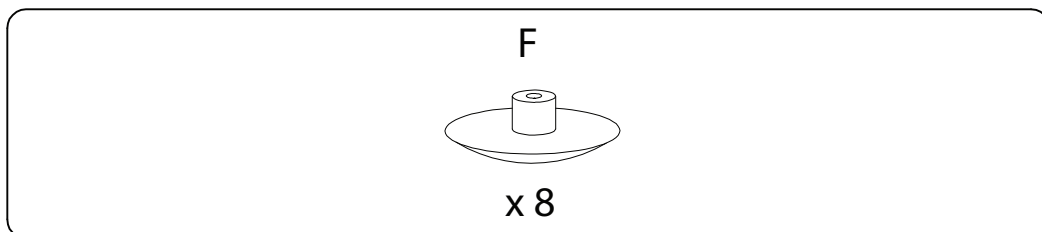


G	H	I	J	K	L
					
x 4	x 2	x 1	x 4	x 1	x 1

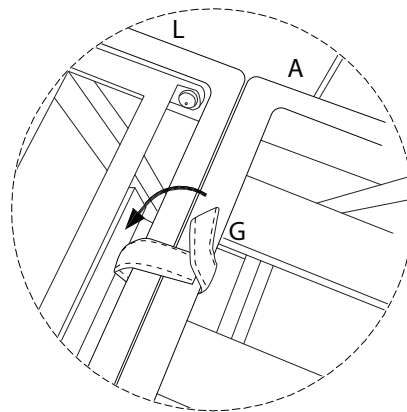
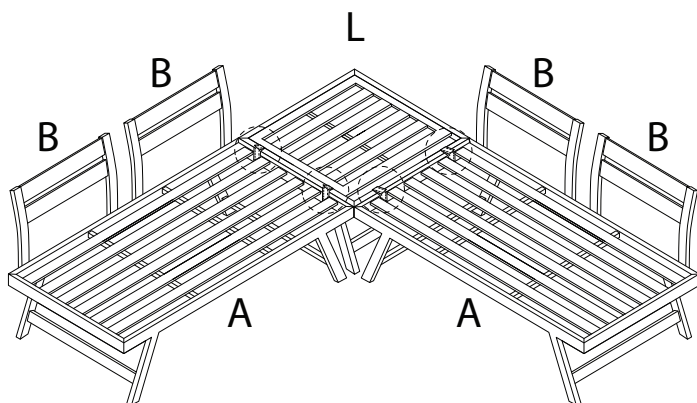
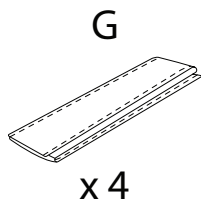
1 x 2



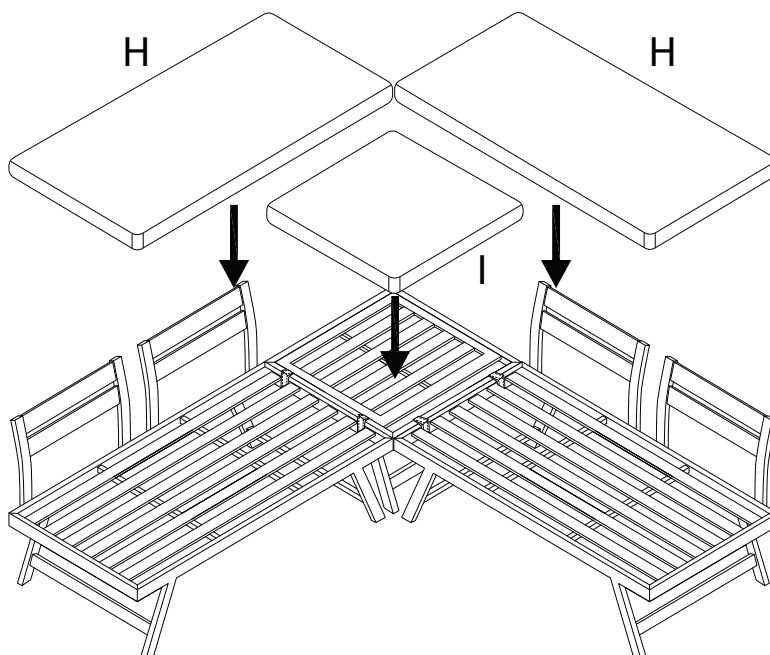
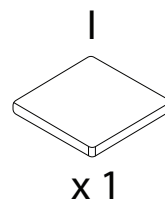
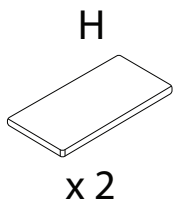
2 x 2



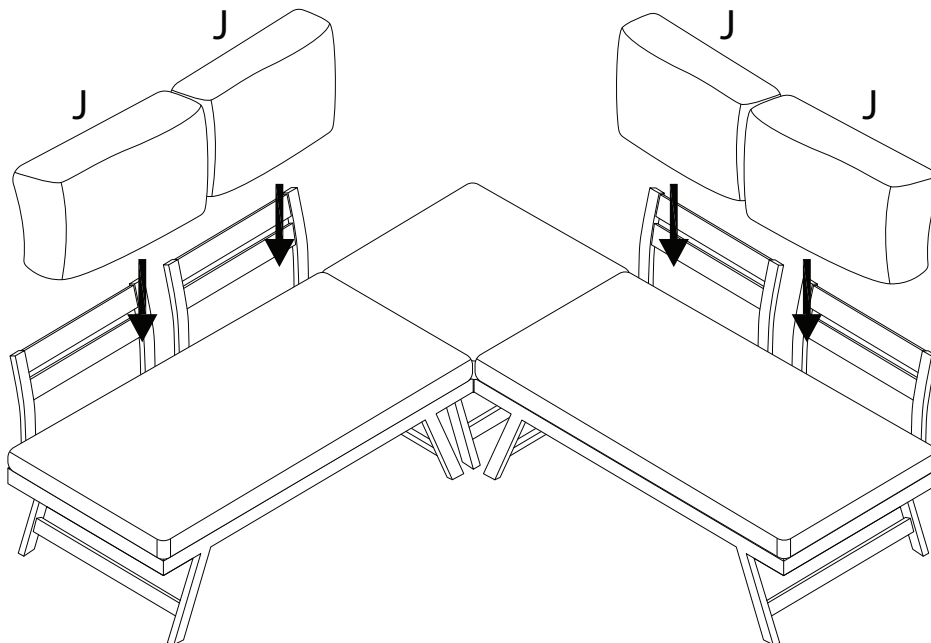
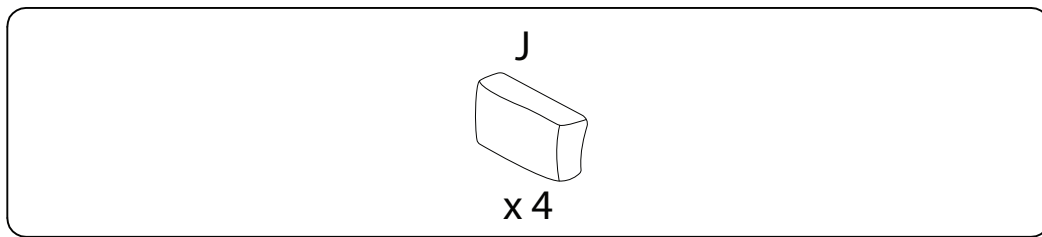
3



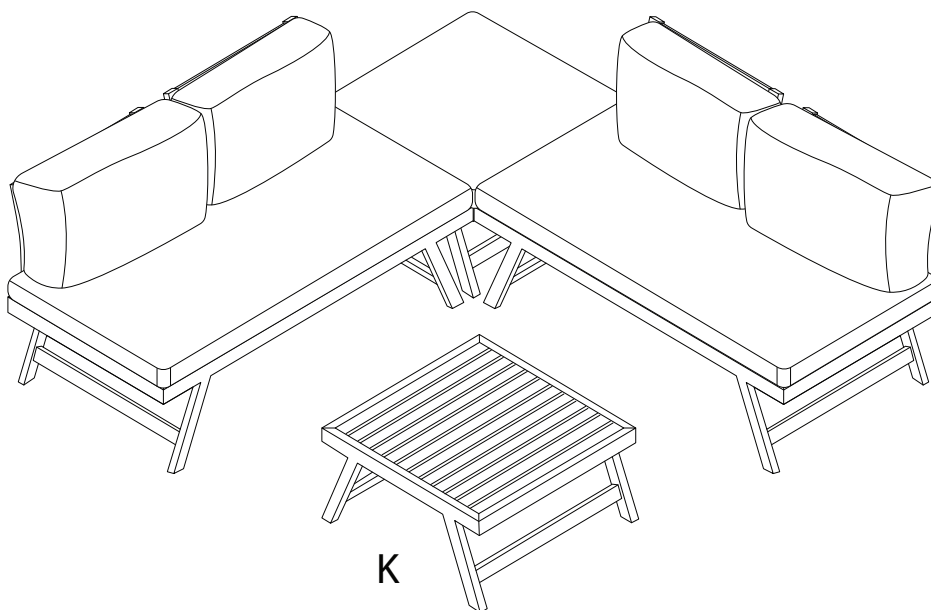
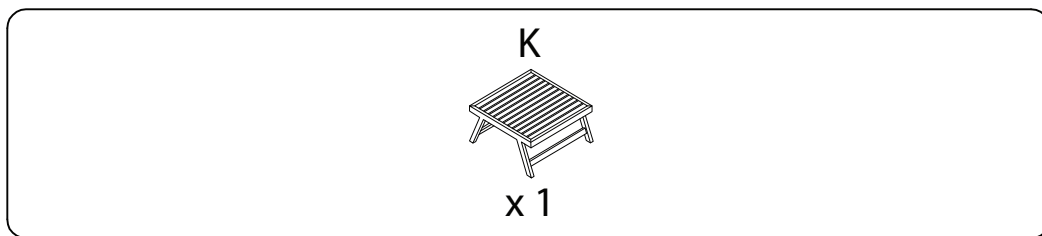
4



5



6



!

