

Roller Blind

Fitting Instructions

WARNING - CHILD SAFETY INSTRUCTIONS



IMPORTANT SAFETY INFORMATION



WARNING!

Please read all safety warnings and installation information fully before installation. Young children can be strangled by loops in pull cords, chains, tapes and inner cords that operate the product. To avoid strangulation and entanglement, keep cords out of the reach of young children. Cords may become wrapped around a child's neck. Move beds, cots and furniture away from window covering cords. Do not tie cords together, make sure cords do not twist and create a loop.

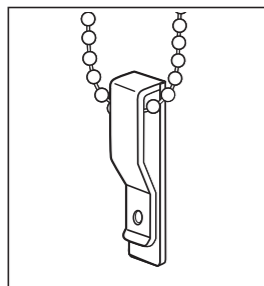
The Child Safety clips should be positioned high enough to be out of reach of small children yet accessible to adults. All Child Safety clips for blinds need to be fixed to a solid surface using a screw and fixing suitable for the wall or surface material. These items should not be glued or stuck in place. In the event of the control chain being broken, the chain may release small parts which could be swallowed and cause internal asphyxiation of a child.

It is recommended that this blind should only be installed by persons competent in DIY, it can be completed by non-professionals. please follow instructions carefully

For further information go to: www.makeitsafe.org.uk



Child Safety Device



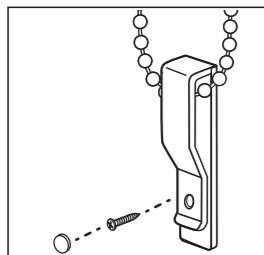
Read these instructions carefully before installing and using the Child Safety device. Children can strangle if this safety device is not installed. Always use this device to keep cords or chains out of reach of children. Keep the instructions for future reference. Use of additional safety devices helps reduce the risk of strangulation but cannot be considered entirely foolproof.

The Child Safety device reduces the hazards of strangulation or entanglement by limiting access to the cord or bead chain. Anchor the device with the cord or bead chain to the wall or floor, so young children cannot pull the cord or bead chain around their necks.

Mounting the Child Safety Clip

The child safety clip is designed for fitting onto an adjacent surface to the blind in order to eliminate a hazardous cord.

- ① Pull the chain up into the child safety clip.
- ② Place the child safety clip onto an adjacent wall or where the clip is fixed in such a way that the loop cannot be easily reached.
- ③ Ensure the control chain is pulled tight. It must be installed at the maximum distance possible from the control mechanism to prevent the loop pull cord becoming slack.
- ④ Screw the child safety clip in place.



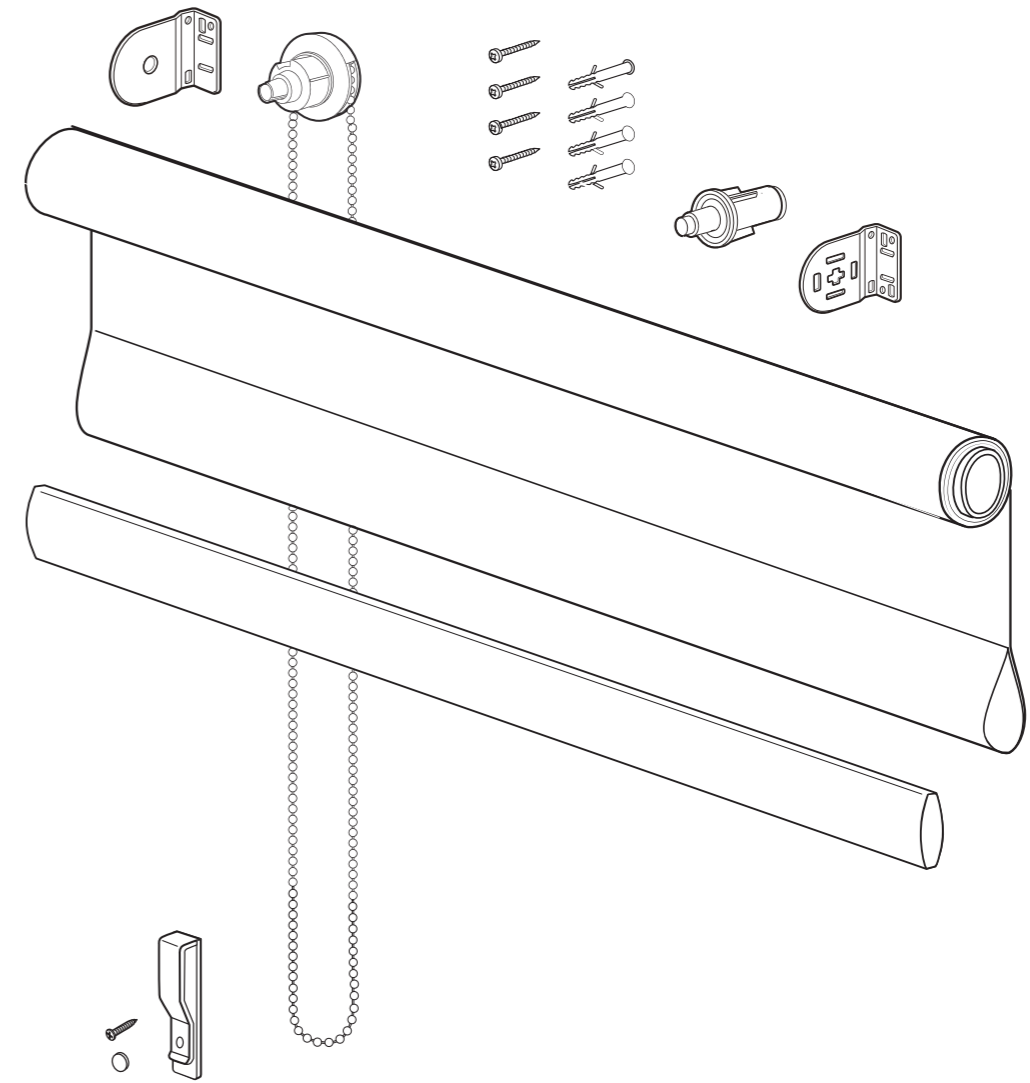
Care and maintenance

The fabric may be dusted using a dry cloth. To clean, wipe with a barely damp cloth.

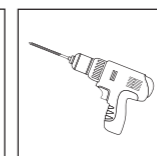
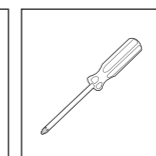
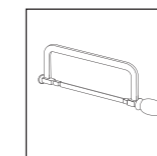
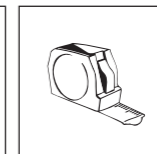
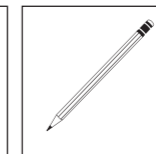
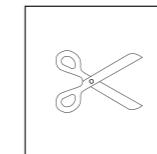
Keep these instructions in a safe place for future reference

Roller Blind

Fitting Instructions



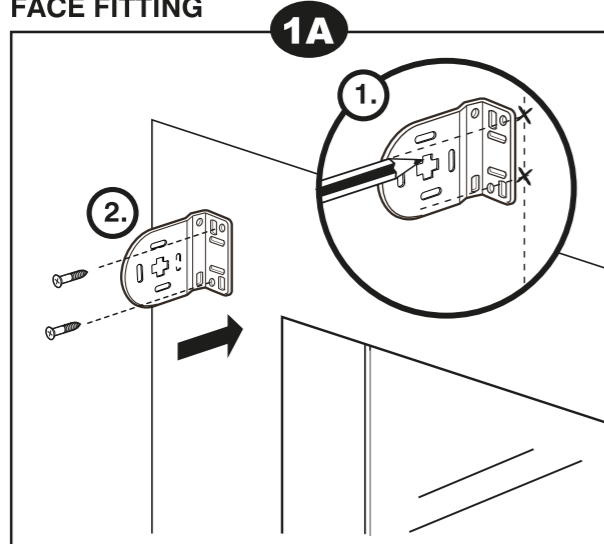
Tools needed for fitting



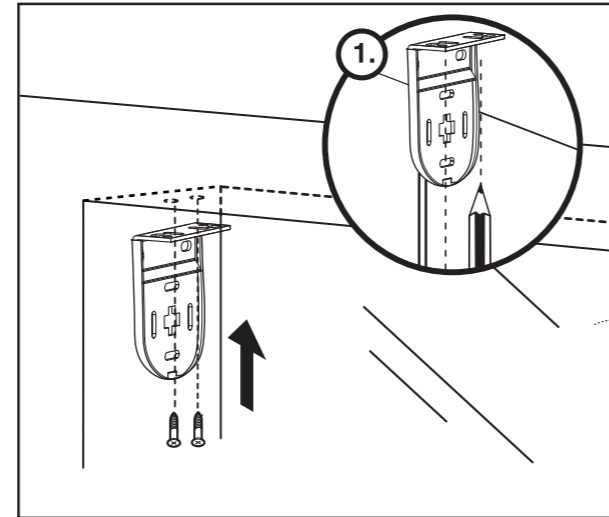
Roller Blind

Fitting Instructions

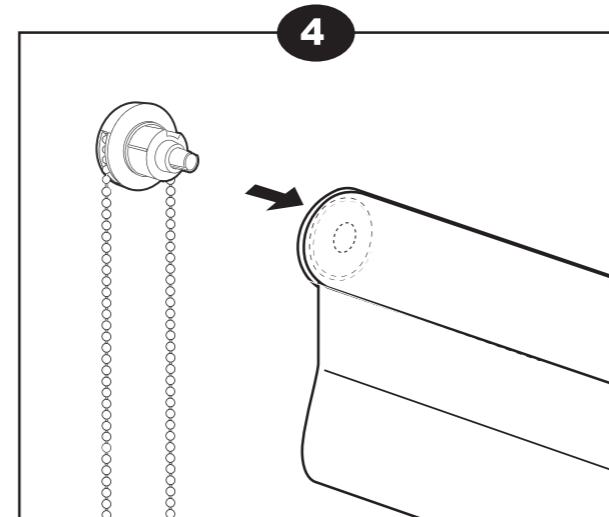
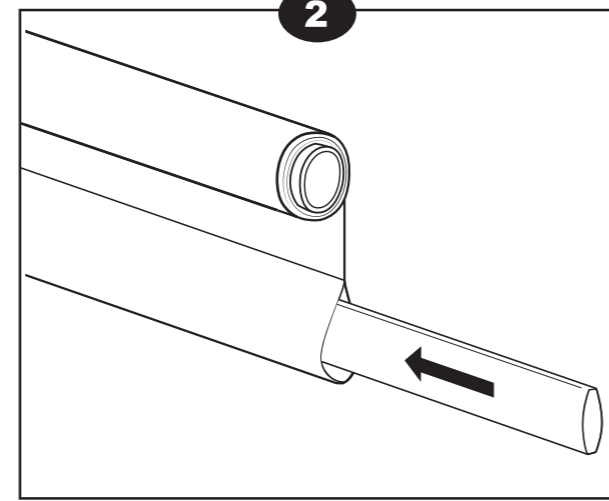
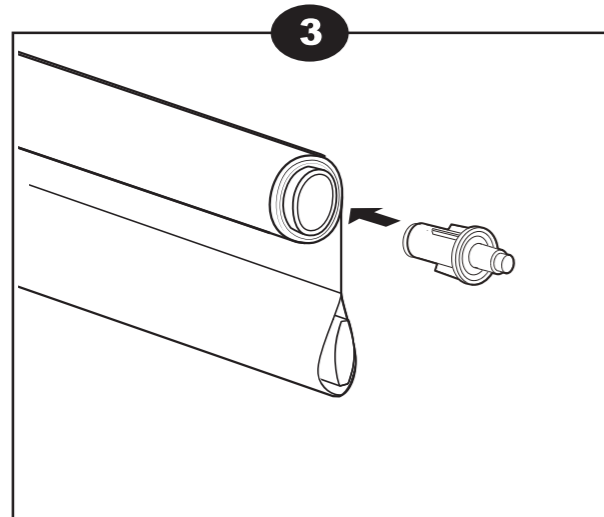
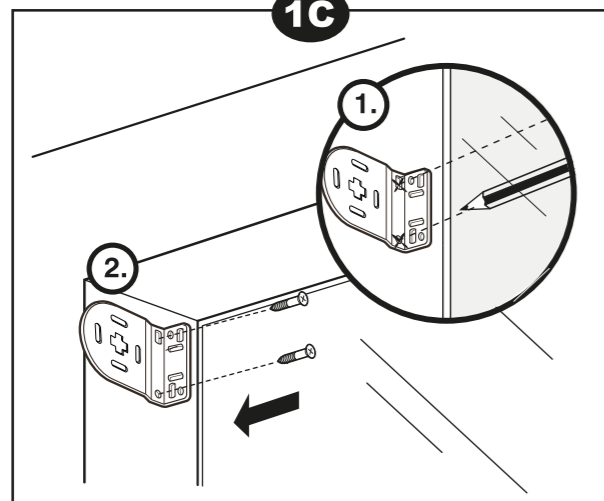
FACE FITTING



TOP RECESS

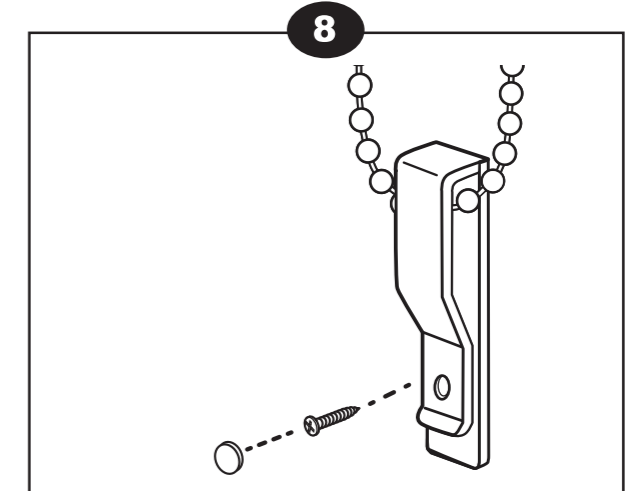
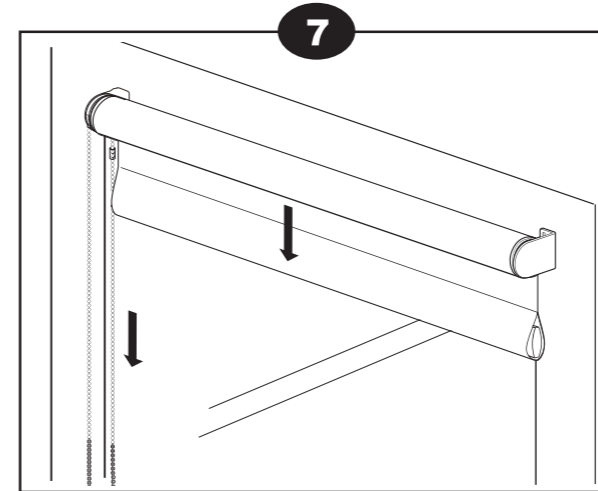
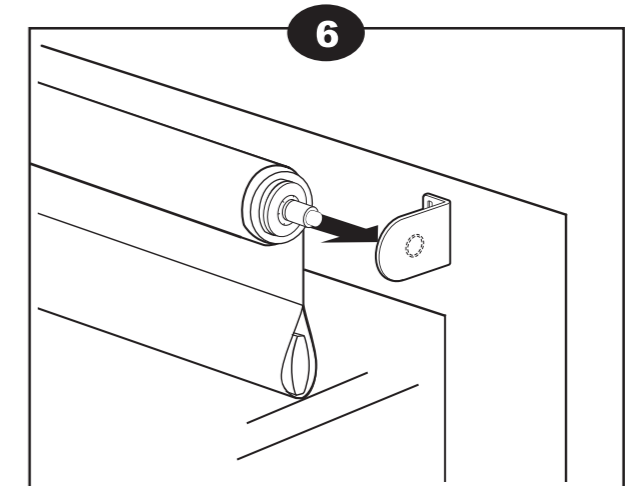
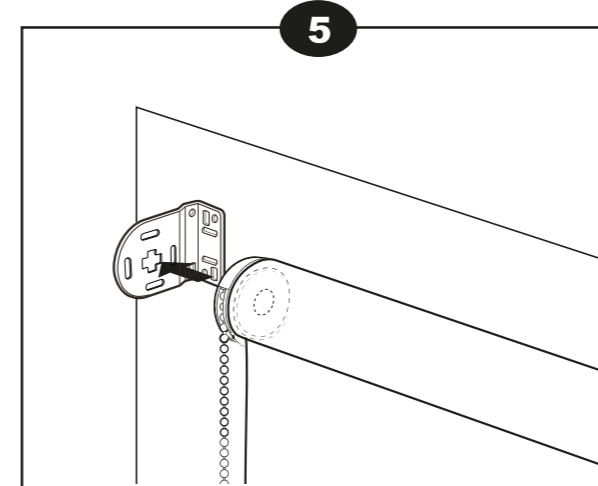


SIDE RECESS



Roller Blind

Fitting Instructions



MEASURING & TRIMMING YOUR BLIND

