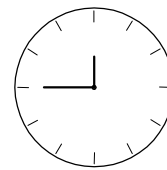
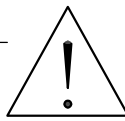
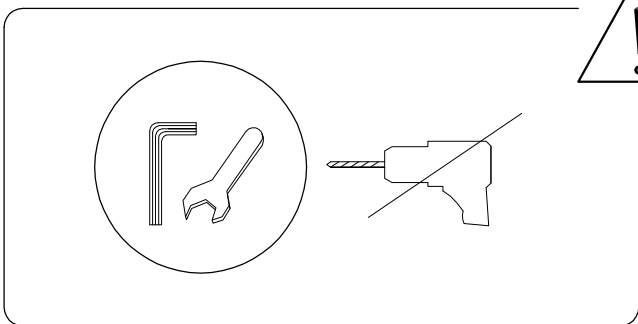
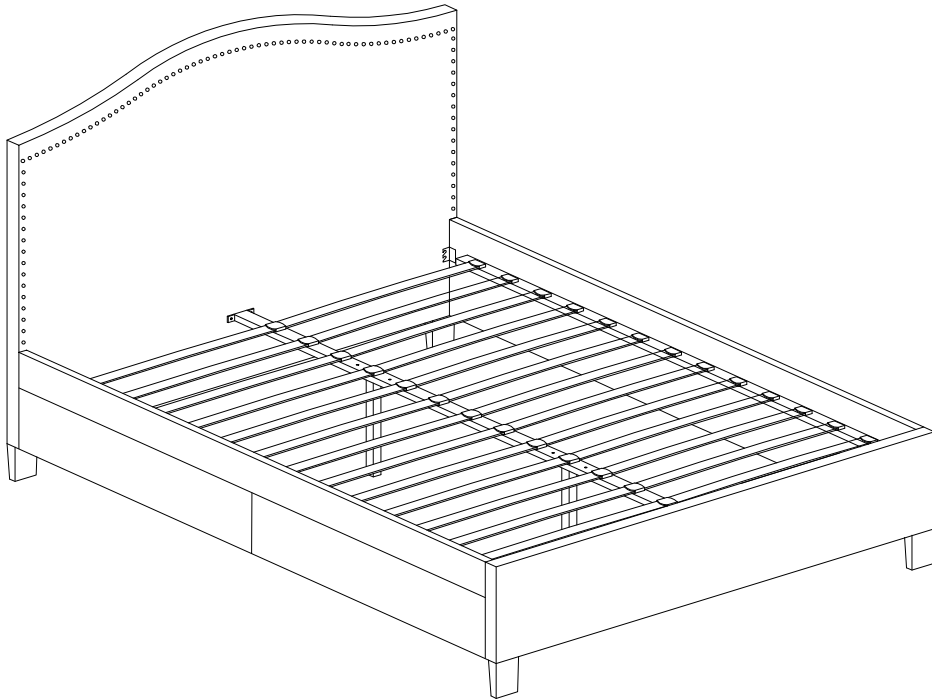
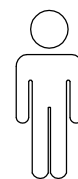
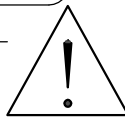
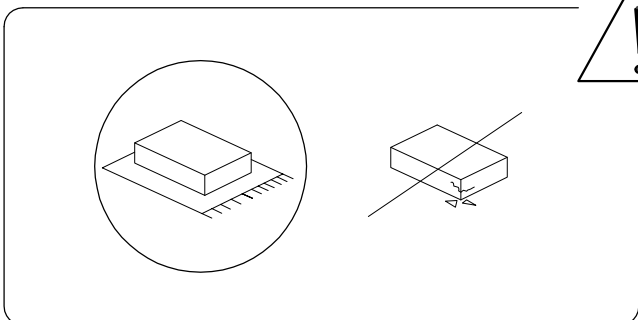


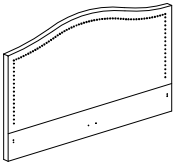
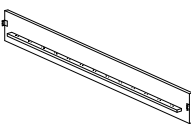
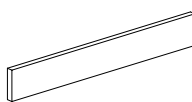
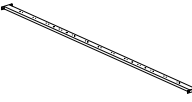
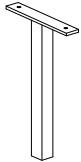

A

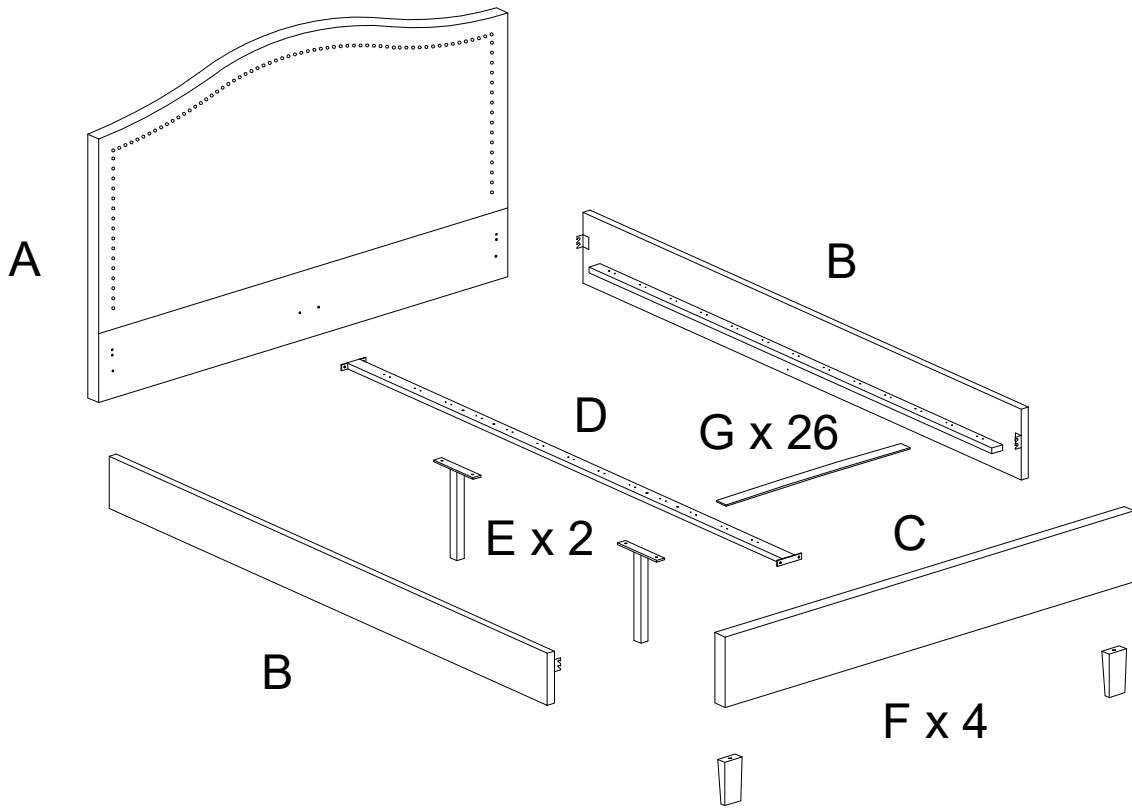



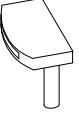
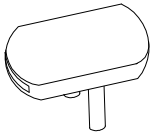
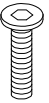
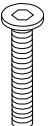
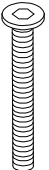
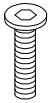
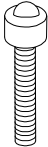
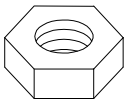
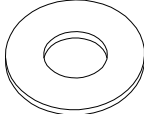
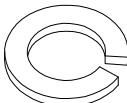
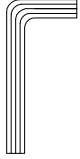
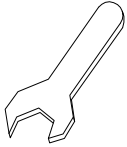
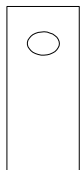
45'



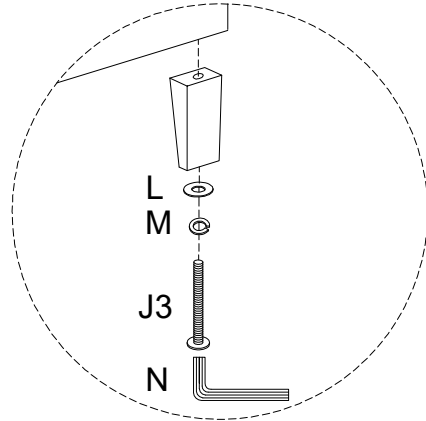
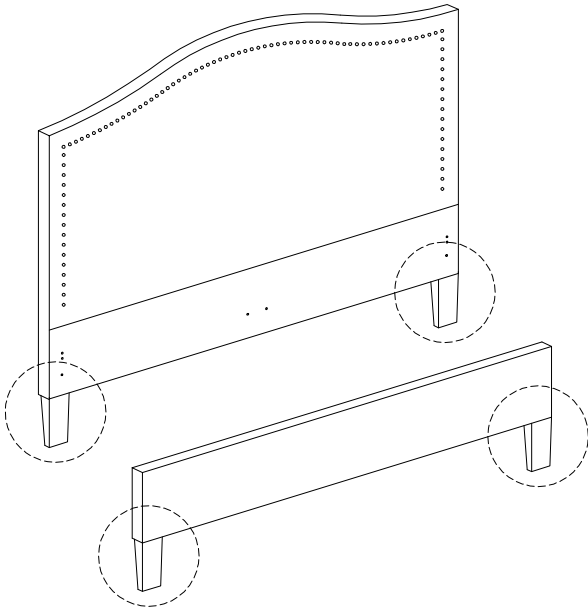
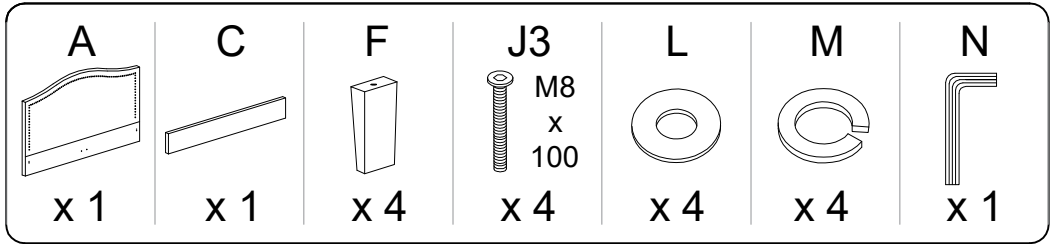
2

A 	B 	C 	D 	E 	F 
x 1	x 2	x 1	x 1	x 2	x 4

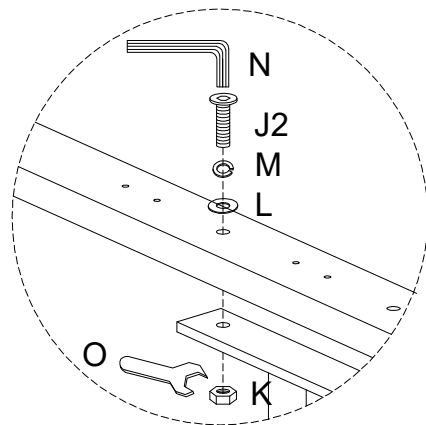
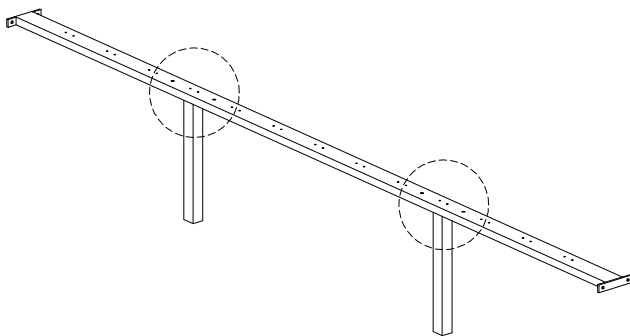
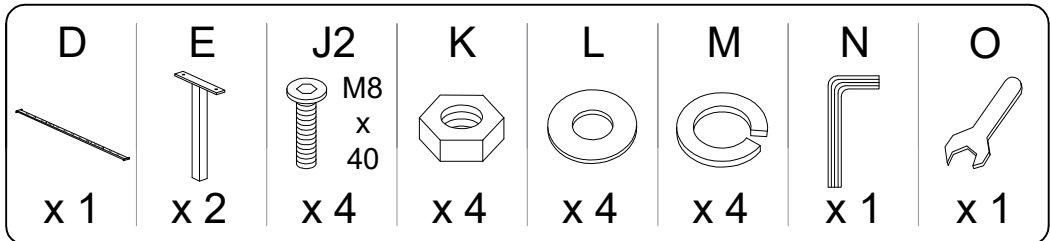


G 	H 	I 	J1  M8 x 30	J2  M8 x 40	J3  M8 x 100	J4  M8 x 20
x 26	x 26	x 13	x 8	x 8	x 4	x 2
J5  M8 x 40	K 	L 	M 	N 	O 	P 
x 4	x 4	x 22	x 22	x 1	x 1	x 2

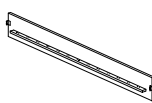

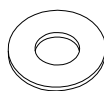
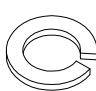
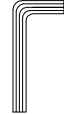
1

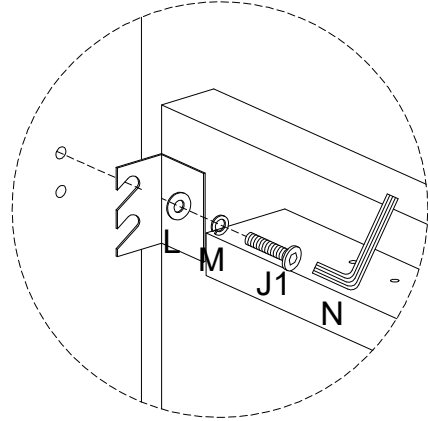
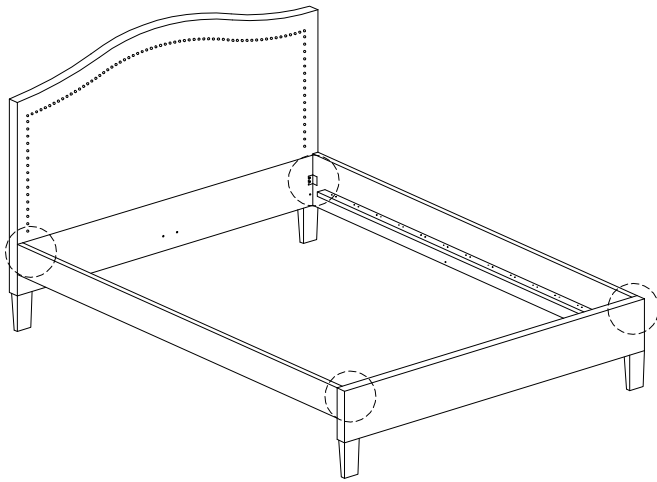


2

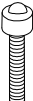


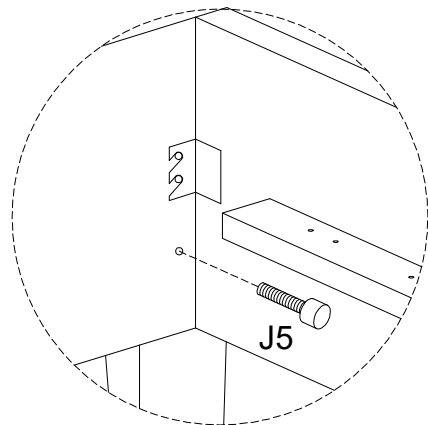
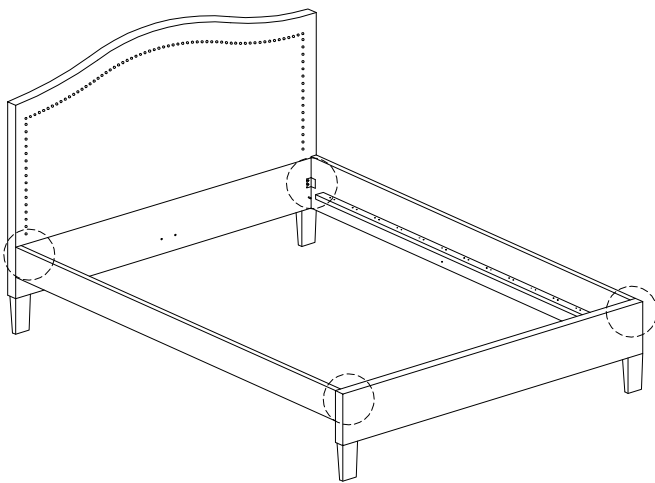
3

B  x 2	J1  M8 x 30 x 8	L  x 8	M  x 8	N  x 1
--	--	--	--	--


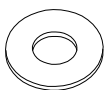

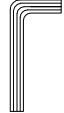
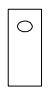


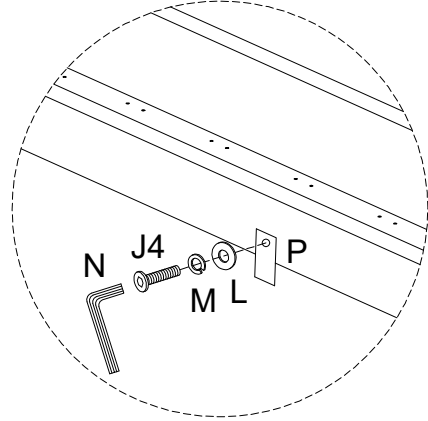
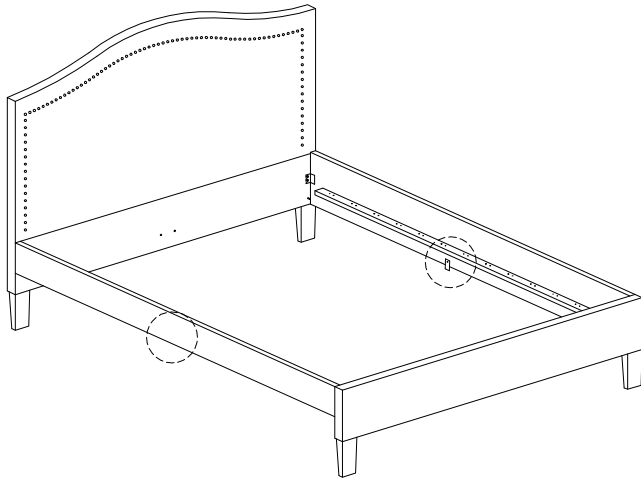
4

J5  M8 x 30 x 4
--

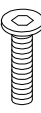
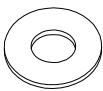
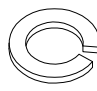
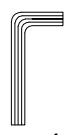


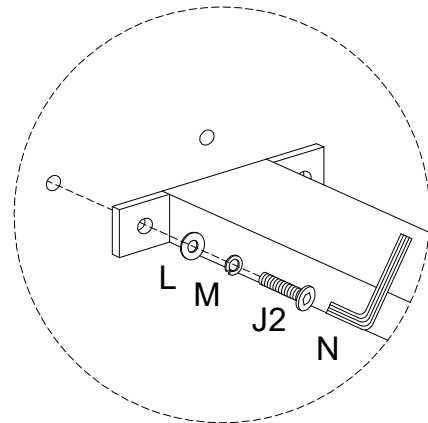
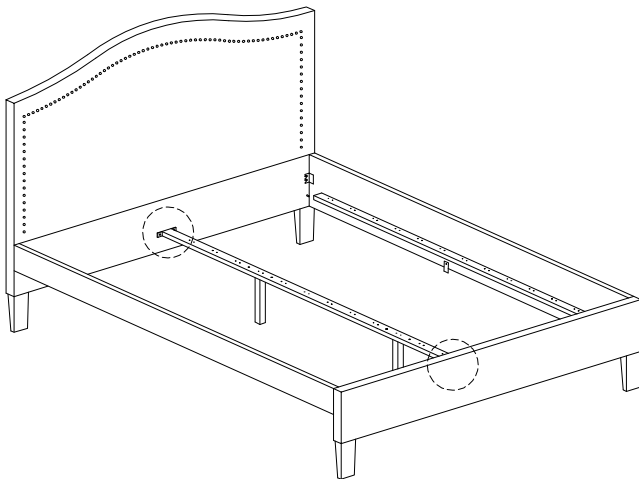
5

J4  M8 x 20 x 2	L  x 2	M  x 2	N  x 1	P  x 2
---	--	--	--	--

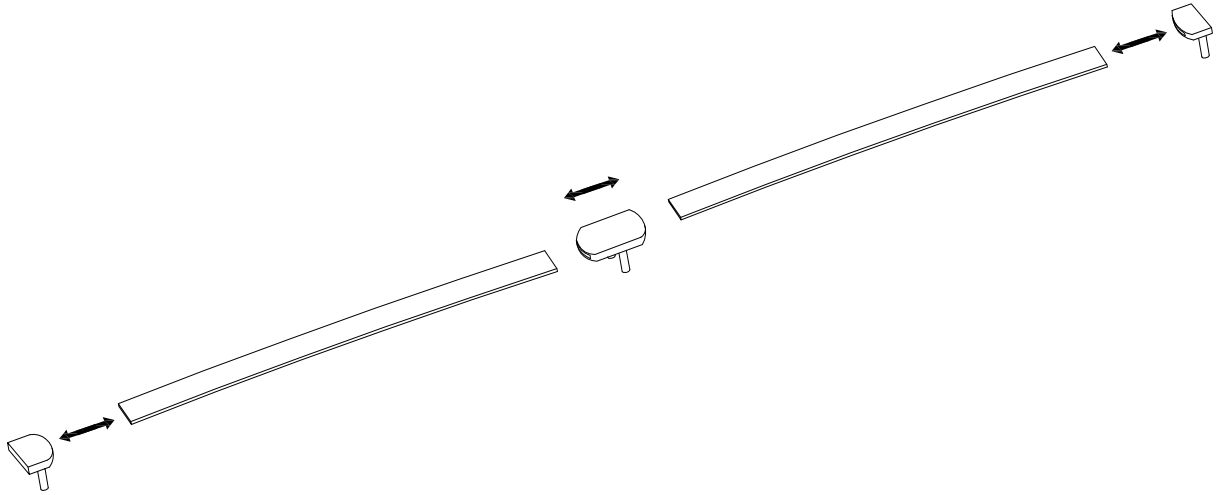
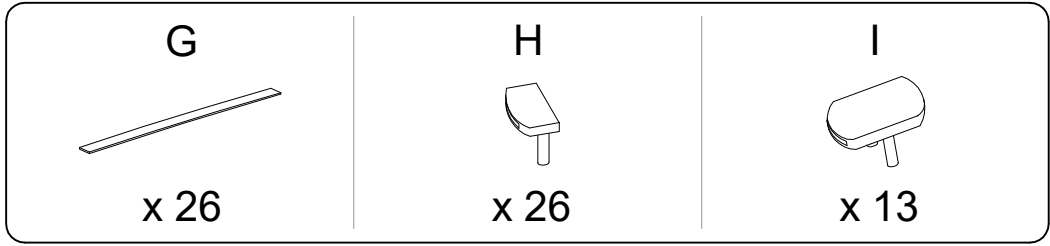


4

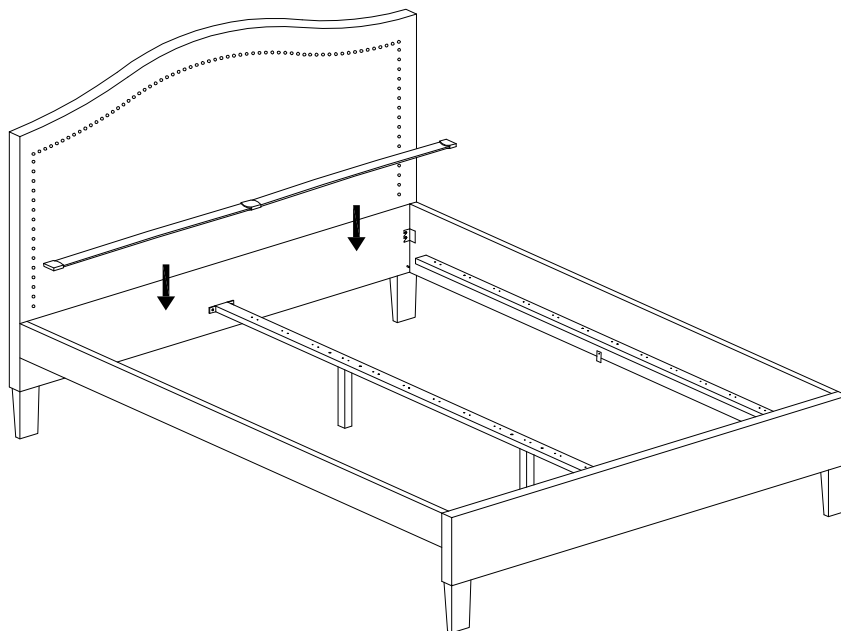
J2  M8 x 30 x 4	L  x 4	M  x 4	N  x 1
---	--	---	--



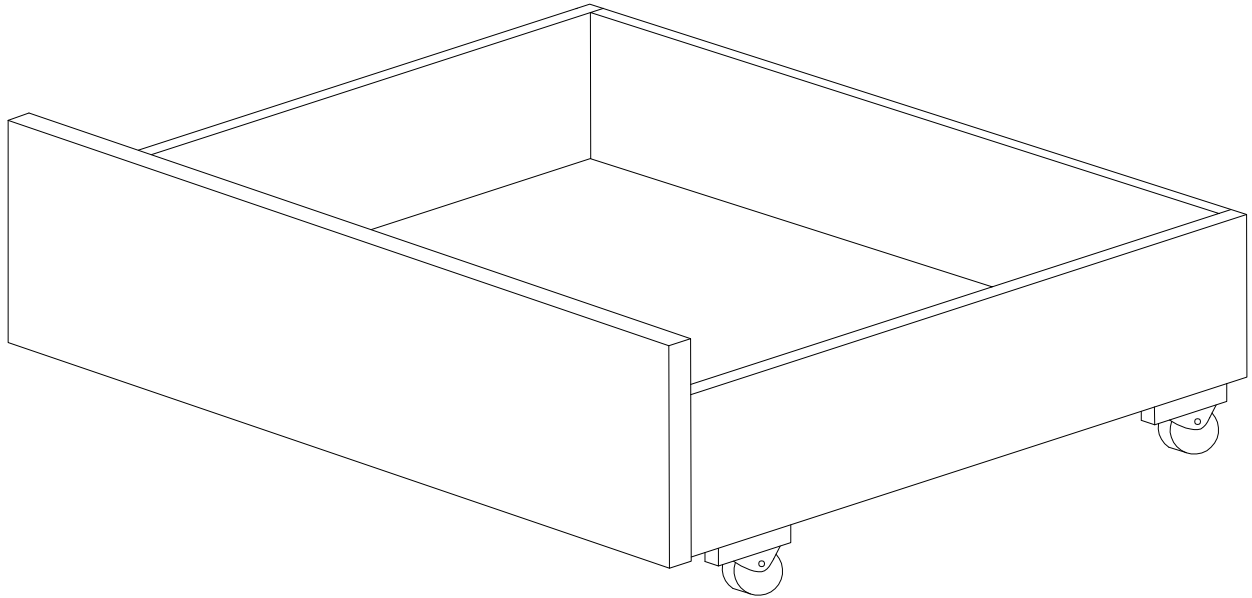
5



6



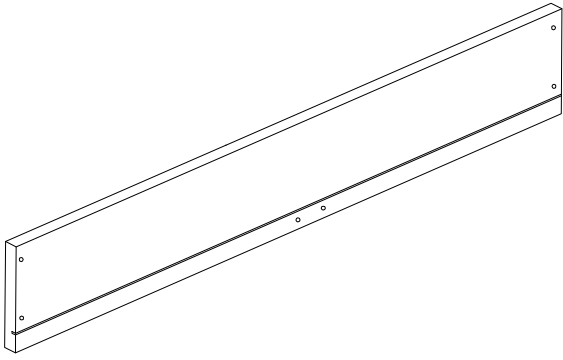
B x 4



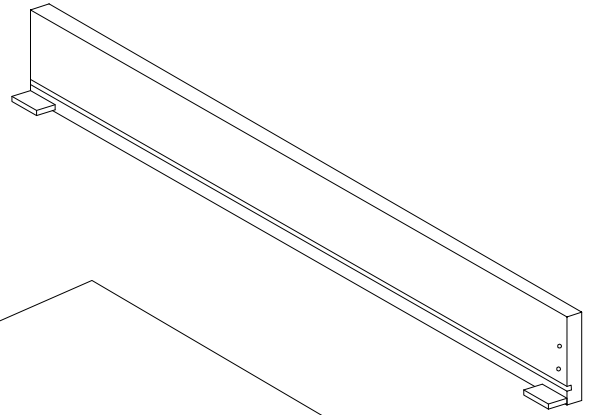
Assembly instructions for step 7/13:

- Tools:** A screwdriver is shown as the required tool. A power drill is shown with a diagonal line through it, indicating it is not to be used.
- Warnings:** A warning triangle with an exclamation mark is positioned above the tool icons.
- Time:** A clock icon indicates that this step takes 30 minutes to complete.
- Personnel:** An icon of a person indicates that two people are required for this step.
- Diagram:** A second warning triangle with an exclamation mark is positioned above a diagram showing a rectangular block being placed on a textured surface. A diagonal line through the block indicates that it should not be placed on a smooth surface.

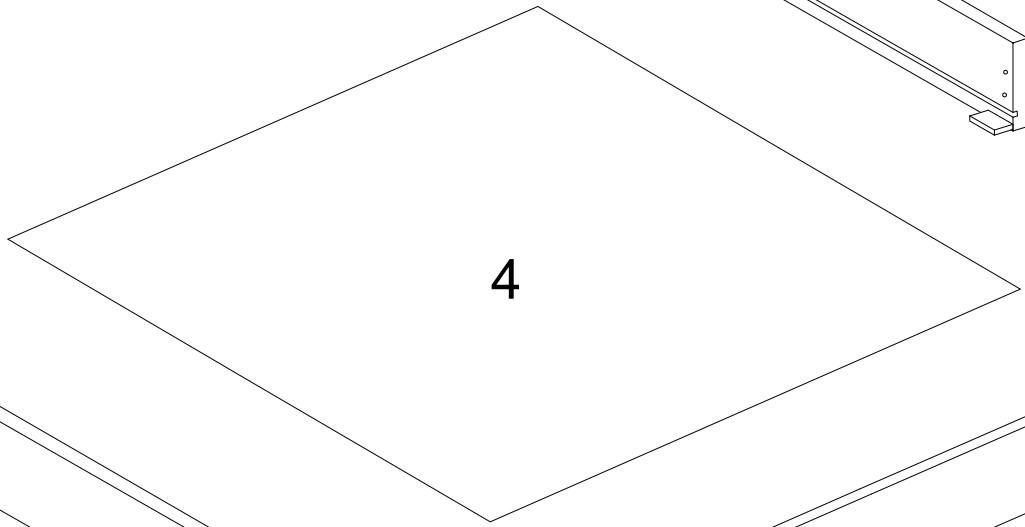
1



3



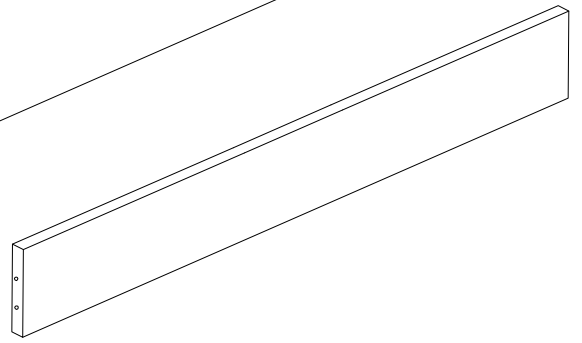
4



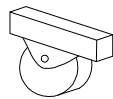
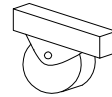
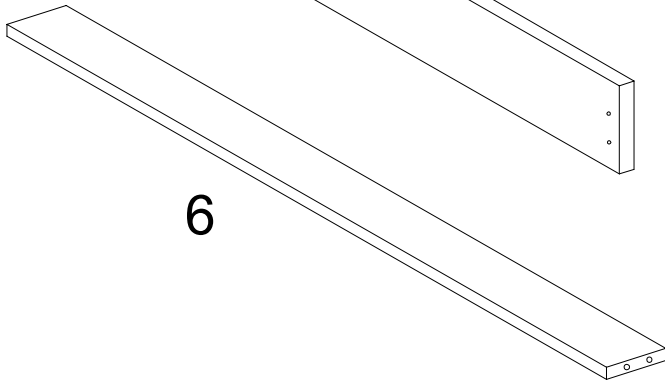
2



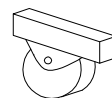
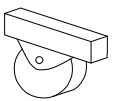
5



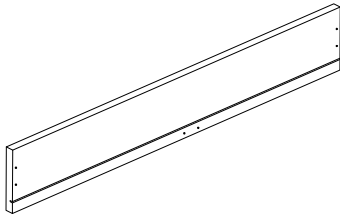
6



B x 4

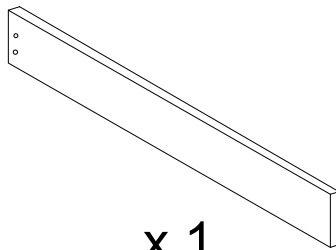


1



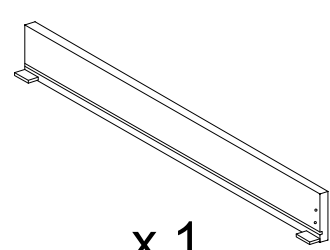
x 1

2



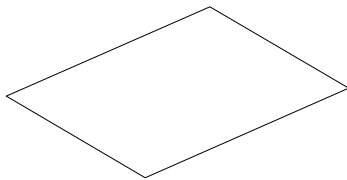
x 1

3



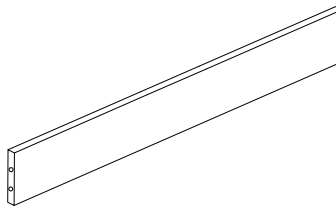
x 1

4



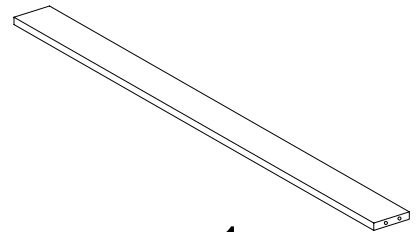
x 1

5



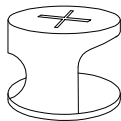
x 1

6



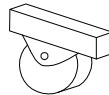
x 1

A



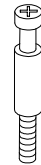
x 8

B



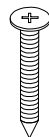
x 4

C



x 8

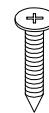
D



M4
x
30

x 4

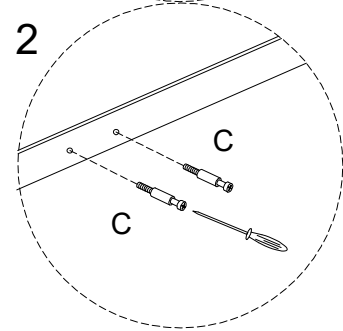
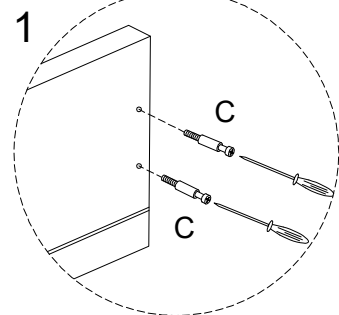
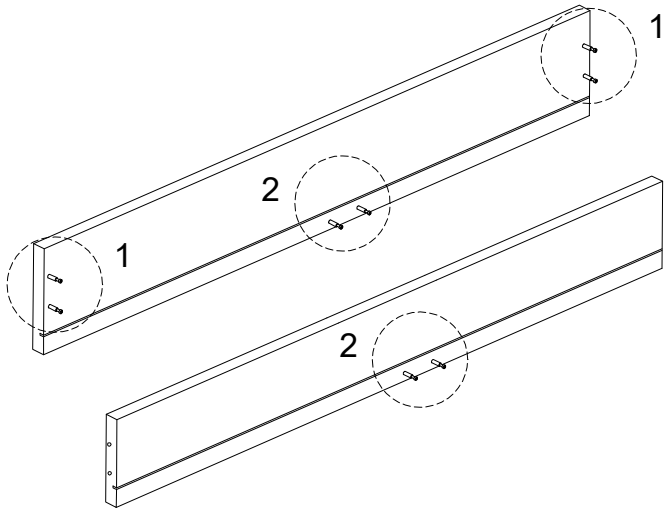
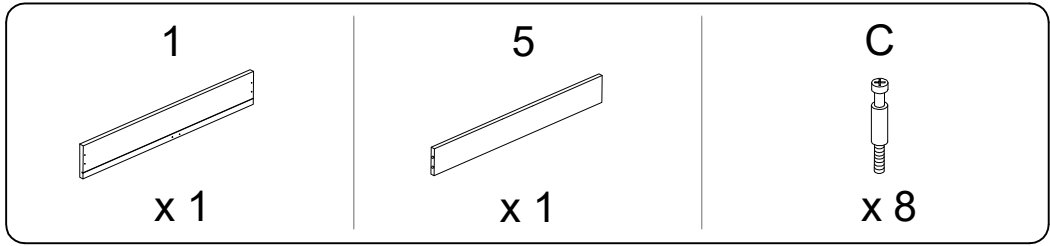
E



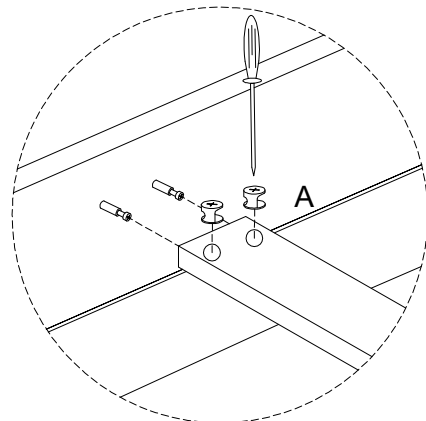
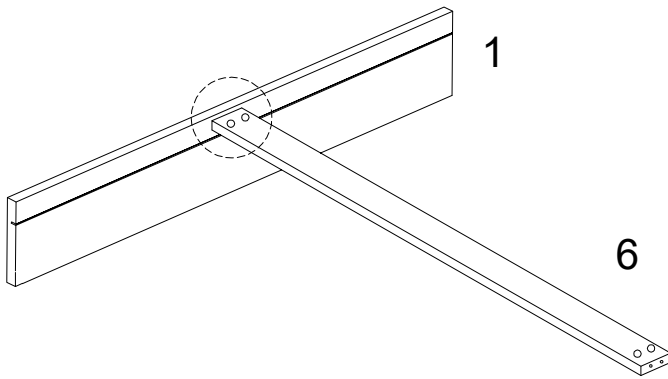
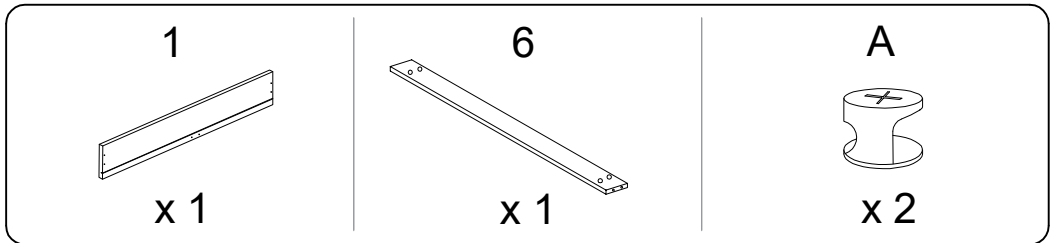
M4
x
15

x 16

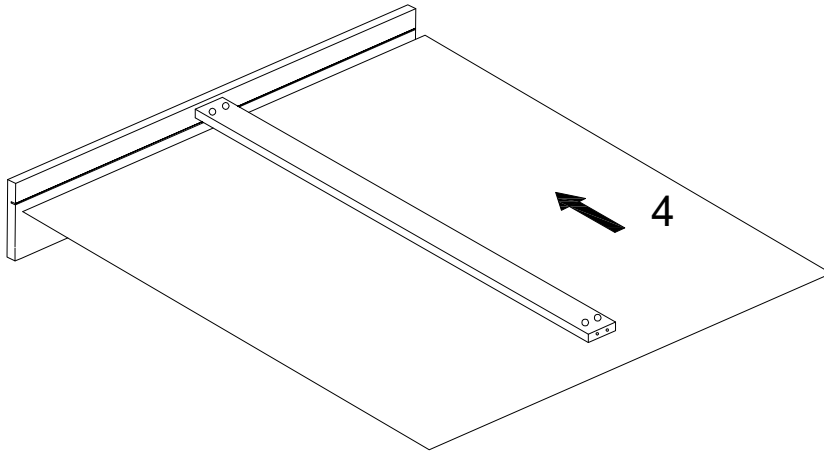
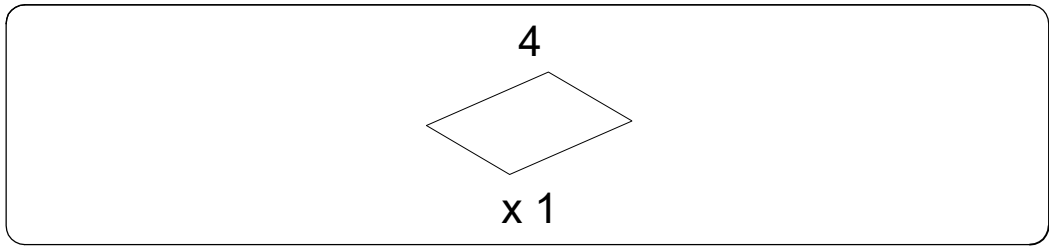
1



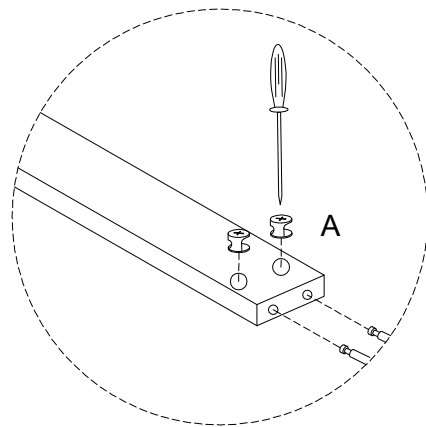
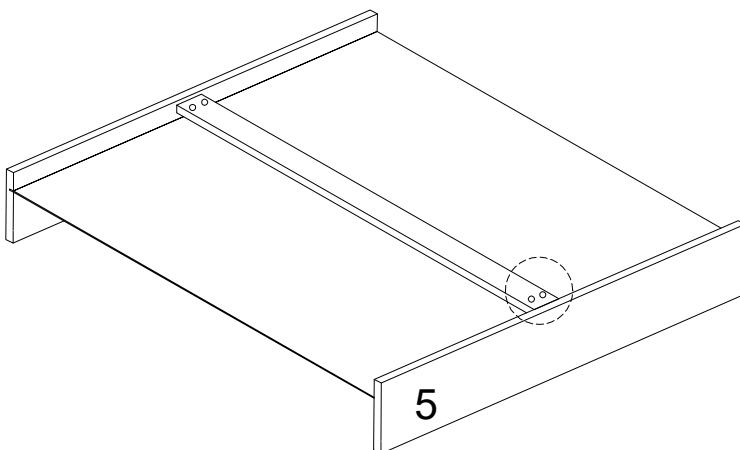
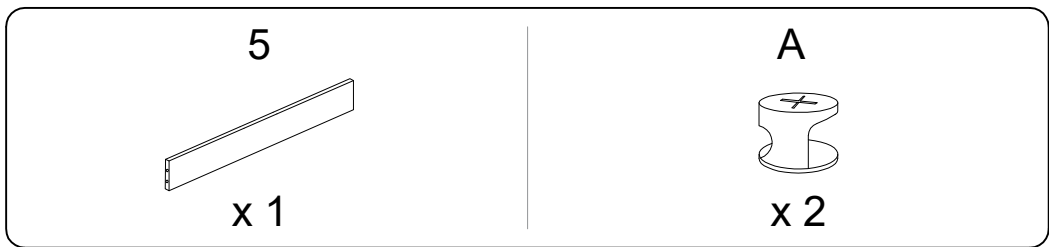
2



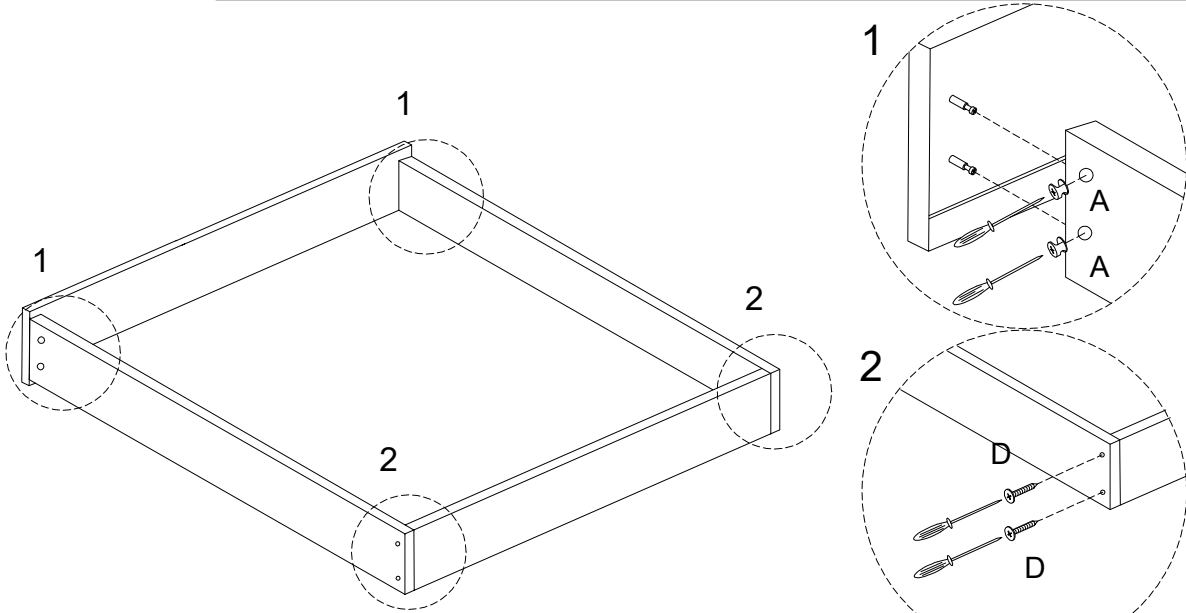
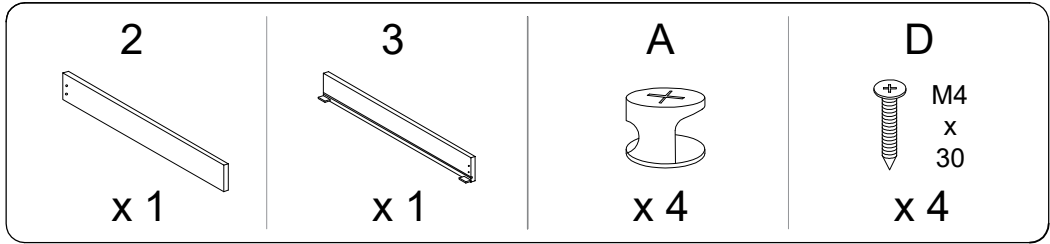
3



4



5



6

