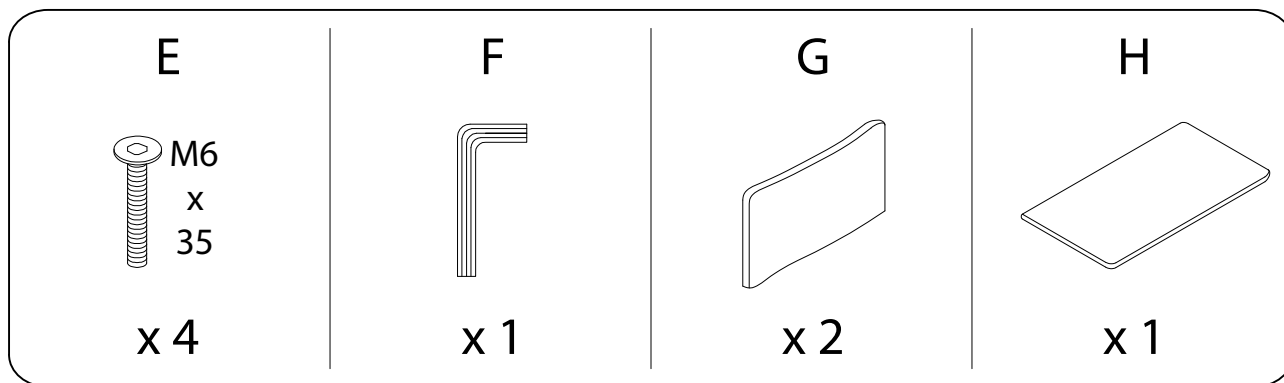
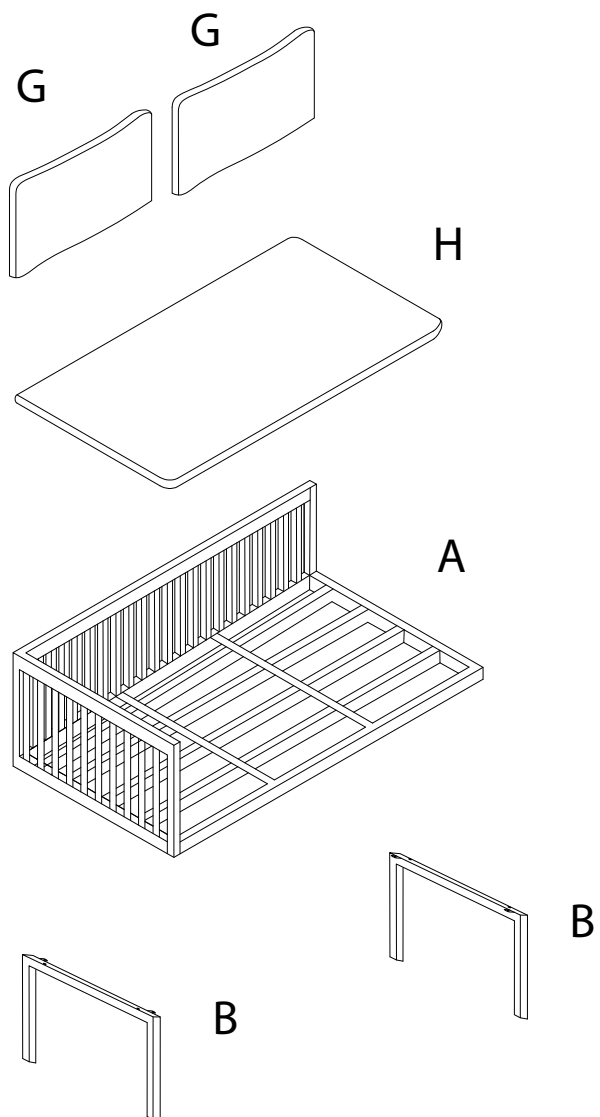
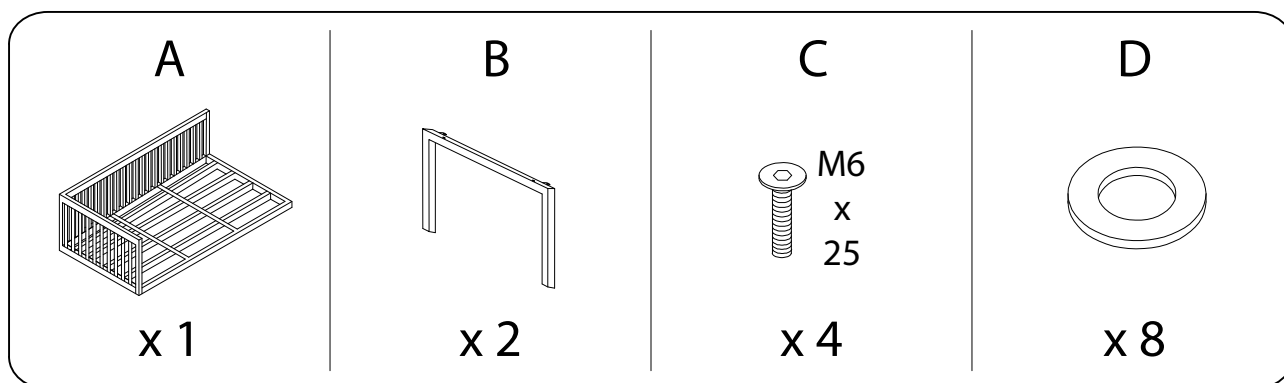


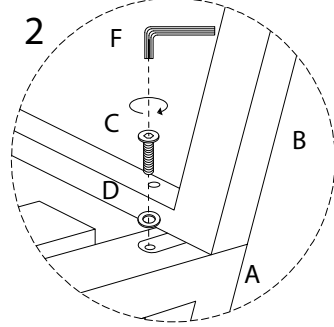
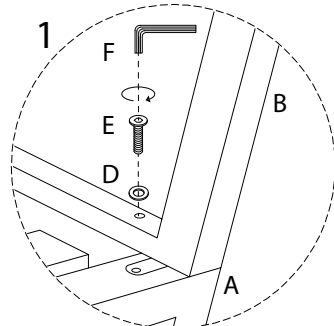
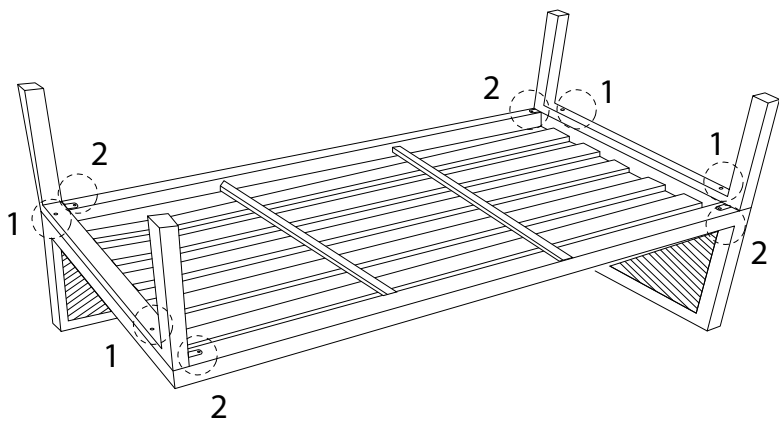
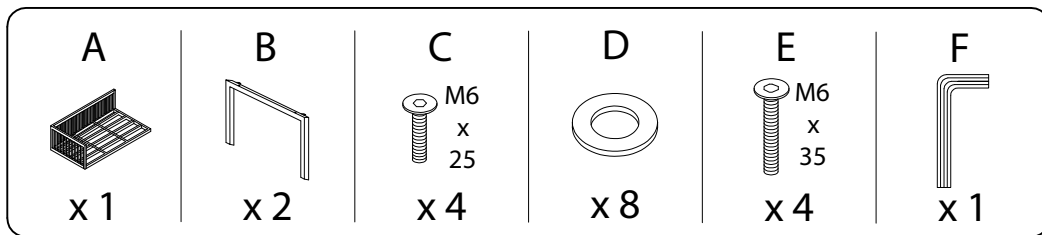
Assembly instructions and safety warnings:

- Warning 1:** A warning triangle with an exclamation mark is shown. To its left, a circular inset shows an L-shaped corner bracket. To its right, a power drill is shown with a diagonal line through it, indicating that a power drill should not be used for this step.
- Warning 2:** A second warning triangle with an exclamation mark is shown. To its left, a circular inset shows a rectangular block being placed on a surface. To its right, a diagram shows a block being lifted by a person, with a diagonal line through it, indicating that the weight should not be lifted by one person.
- Time:** A clock icon is shown with the text "45'" below it, indicating the estimated assembly time.
- Personnel:** A person icon is shown with the number "2" below it, indicating that two people are required for assembly.

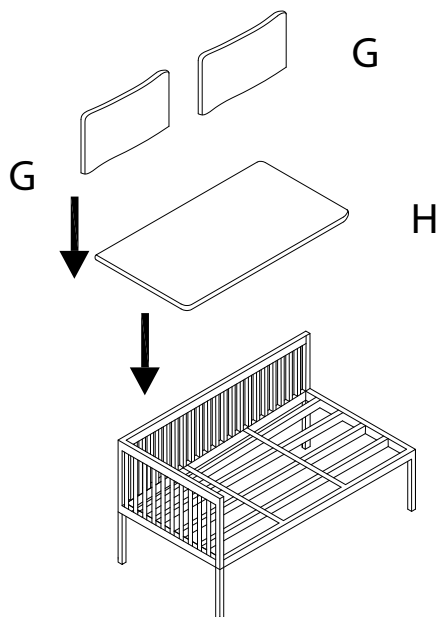
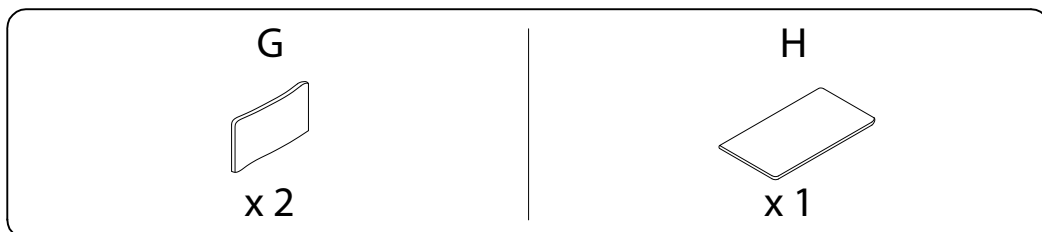
A



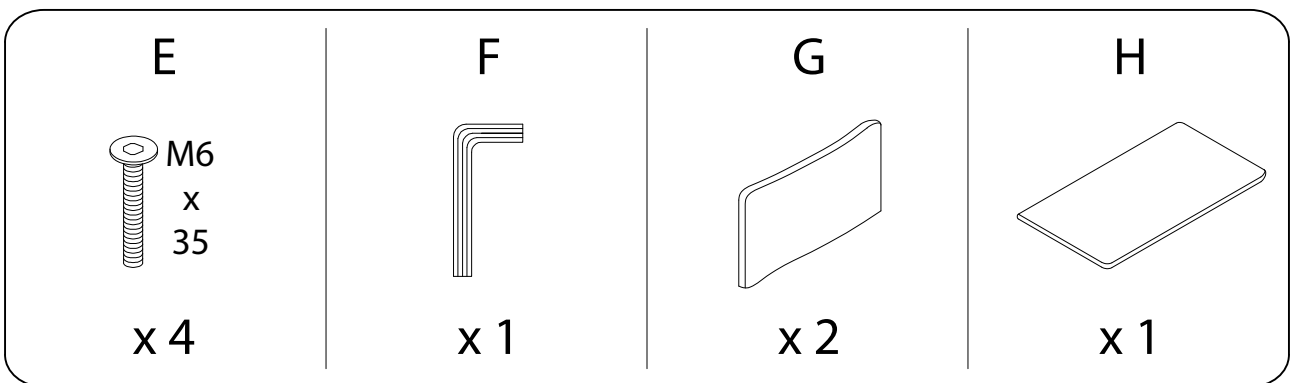
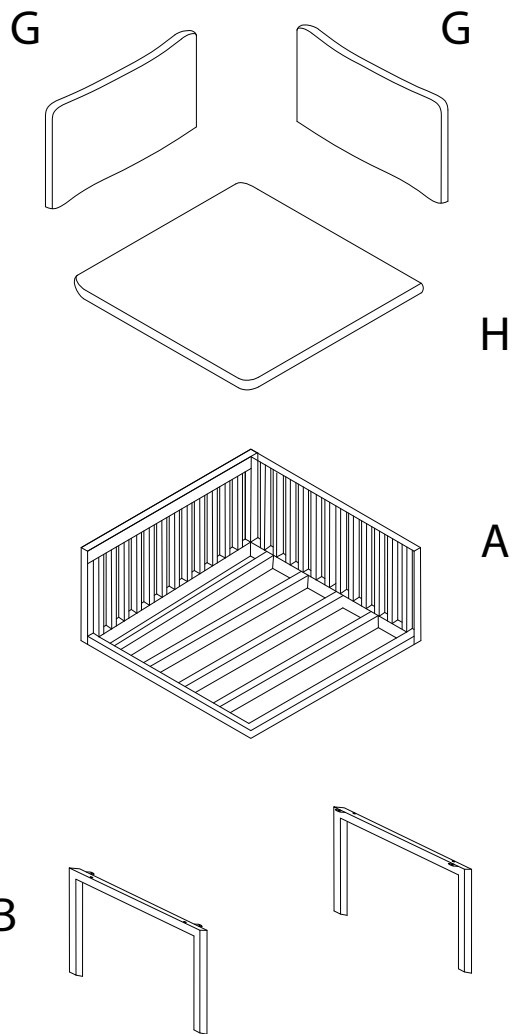
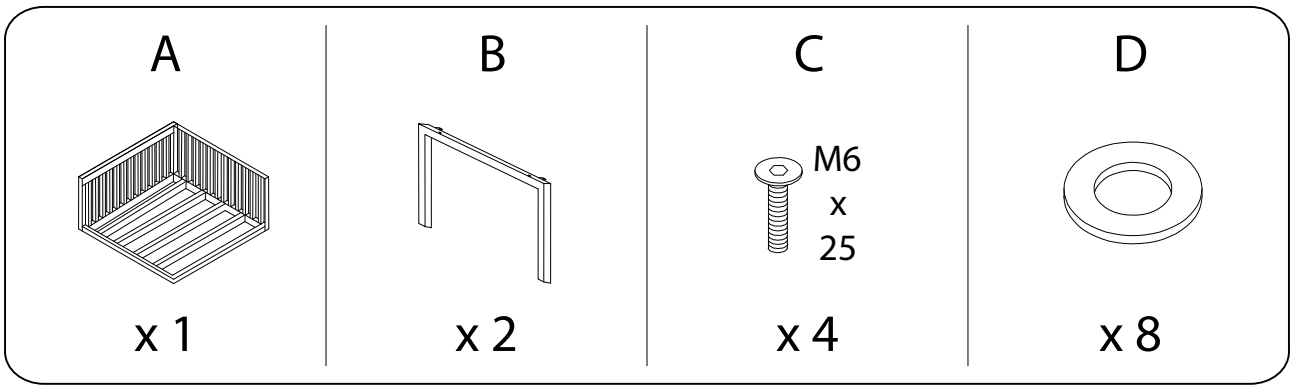
1



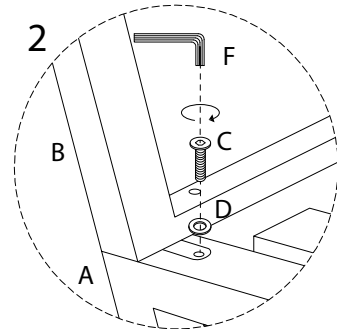
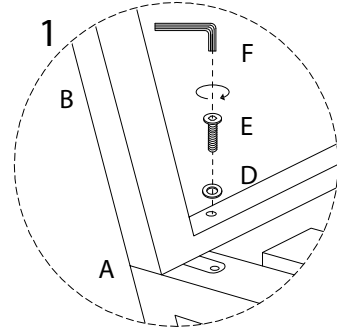
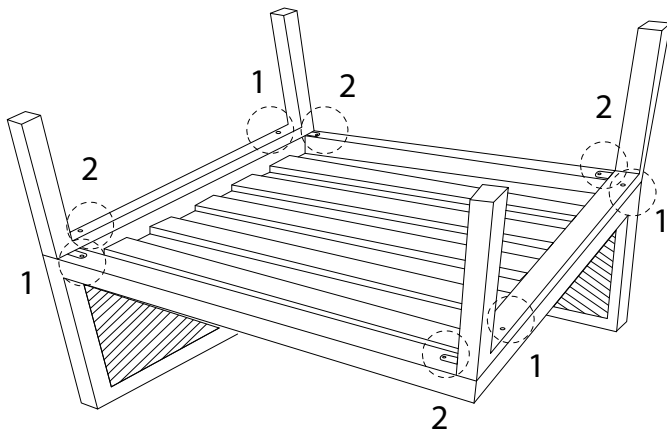
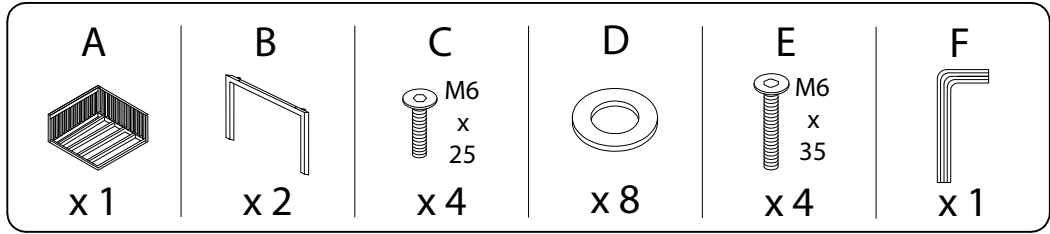
2



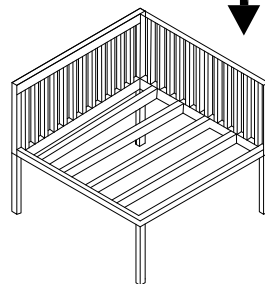
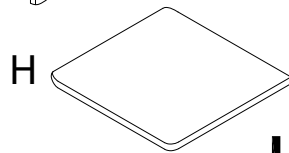
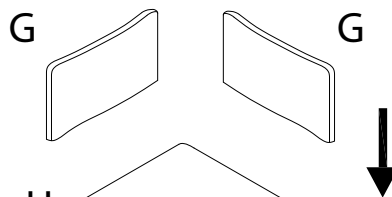
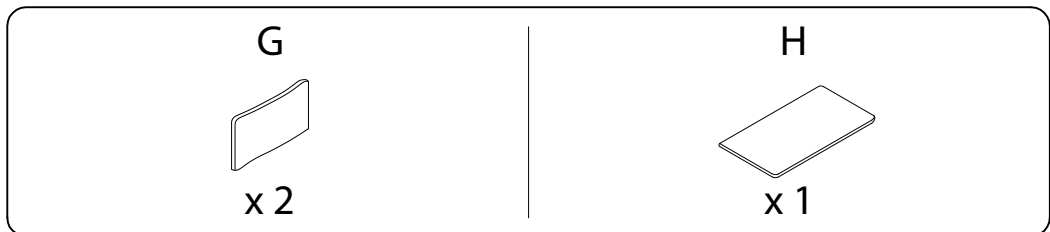
B



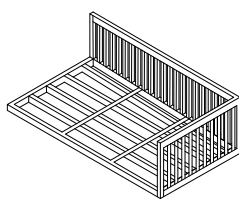
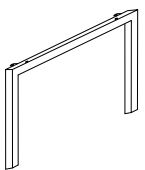
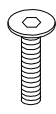
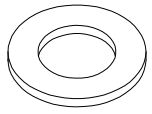
1

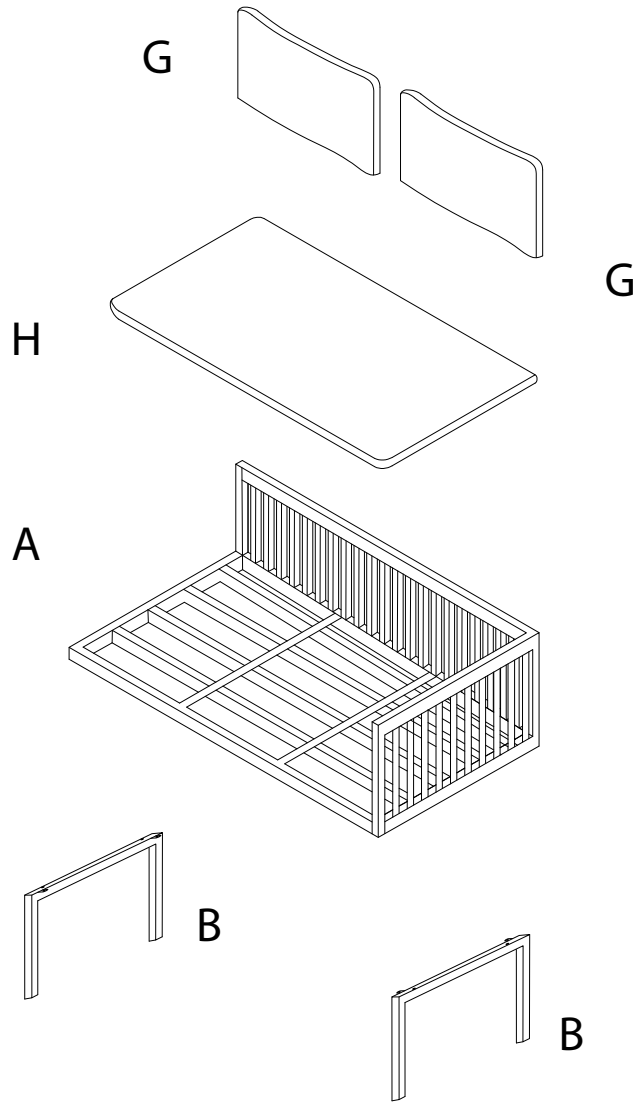


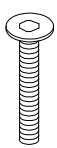
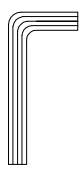
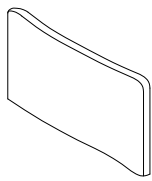
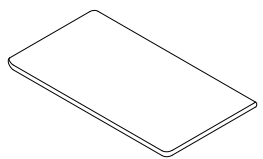
2



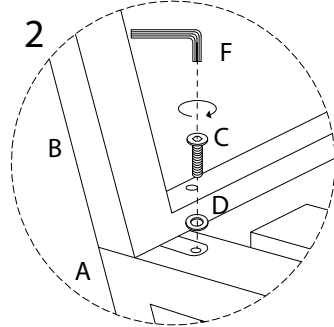
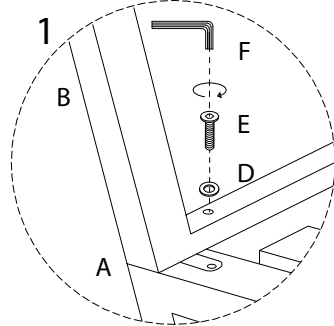
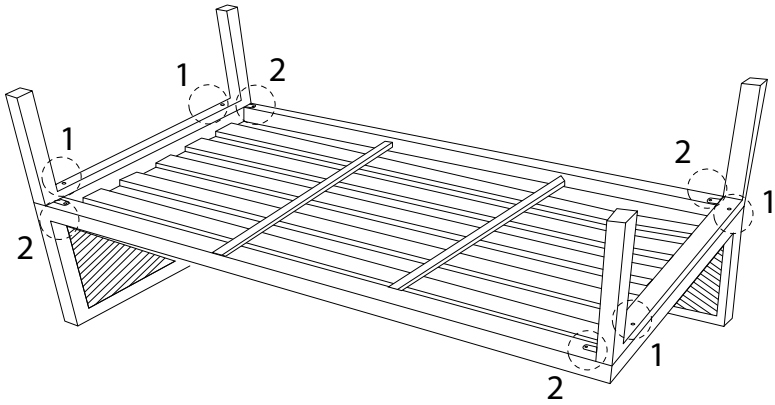
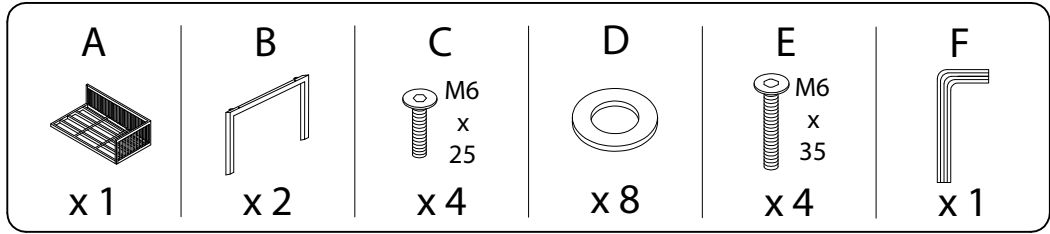
C

<p>A</p>  <p>x 1</p>	<p>B</p>  <p>x 2</p>	<p>C</p>  <p>M6 x 25</p> <p>x 4</p>	<p>D</p>  <p>x 8</p>
--	--	---	--

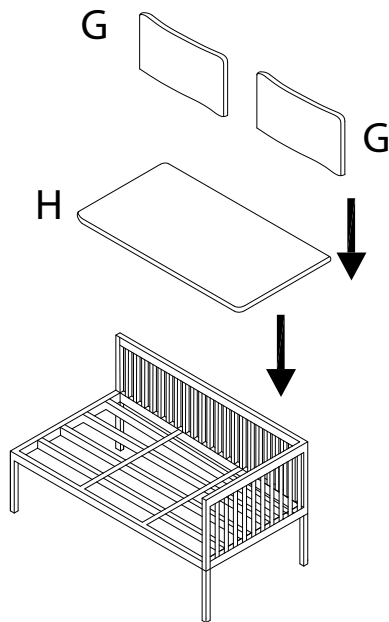
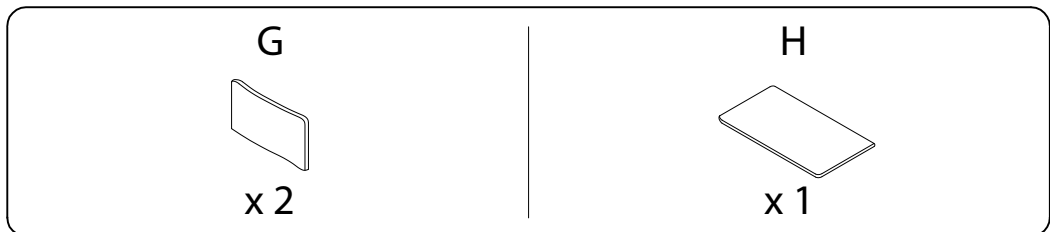


<p>E</p>  <p>M6 x 35</p> <p>x 4</p>	<p>F</p>  <p>x 1</p>	<p>G</p>  <p>x 2</p>	<p>H</p>  <p>x 1</p>
---	--	---	--

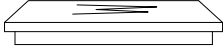

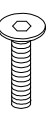
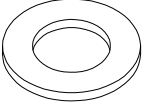
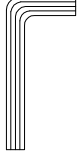
1



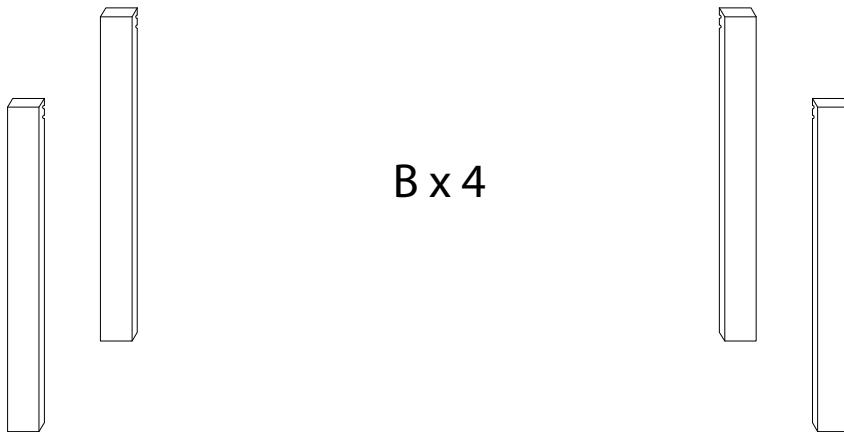
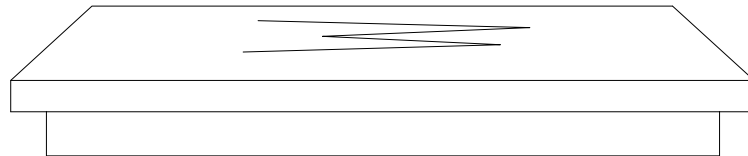
2



D

A	B	C	D	E
		 M6 x 25		
x 1	x 4	x 8	x 8	x 1

A



1

