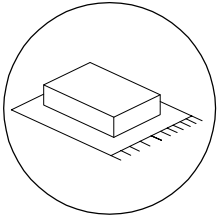
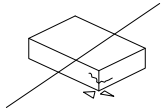
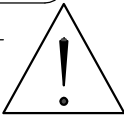

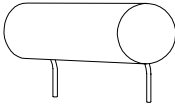
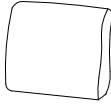
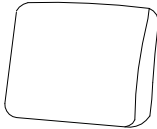

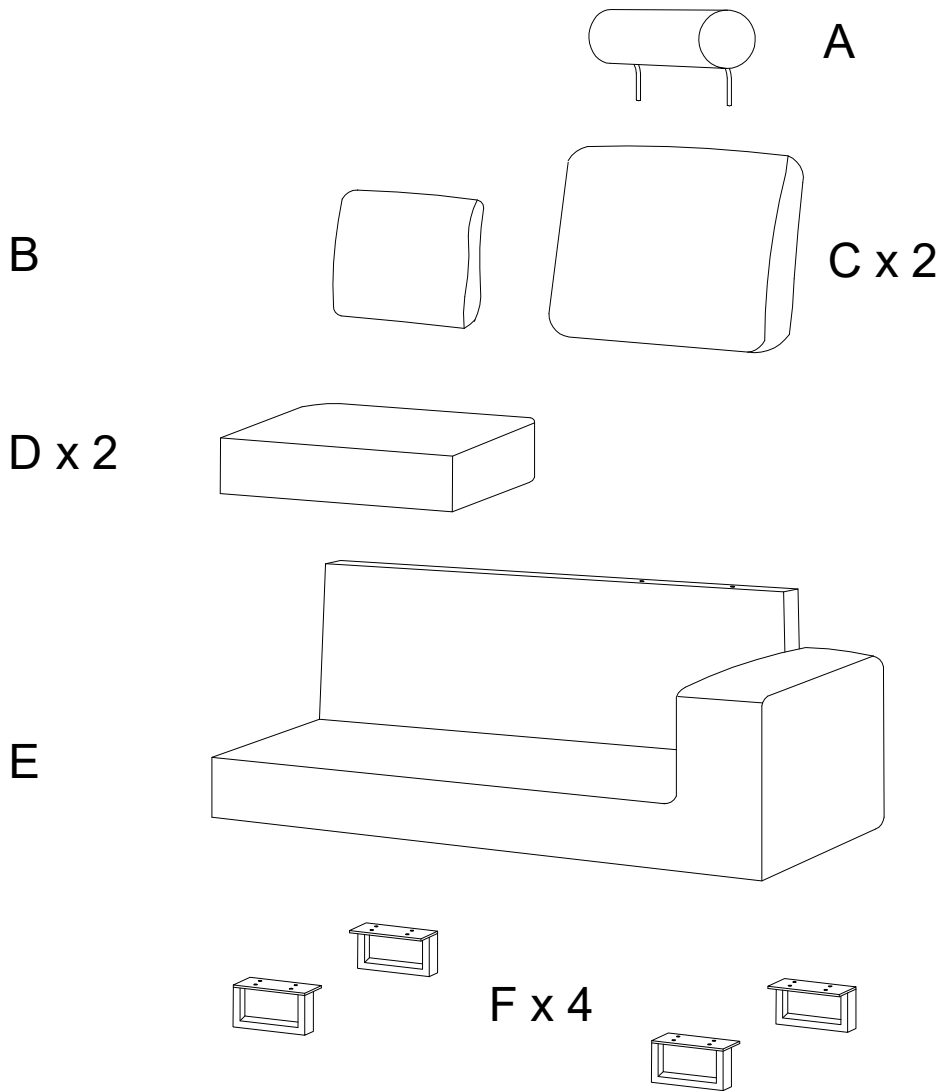
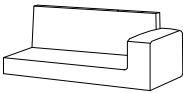
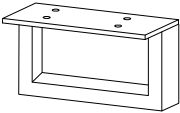
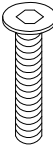

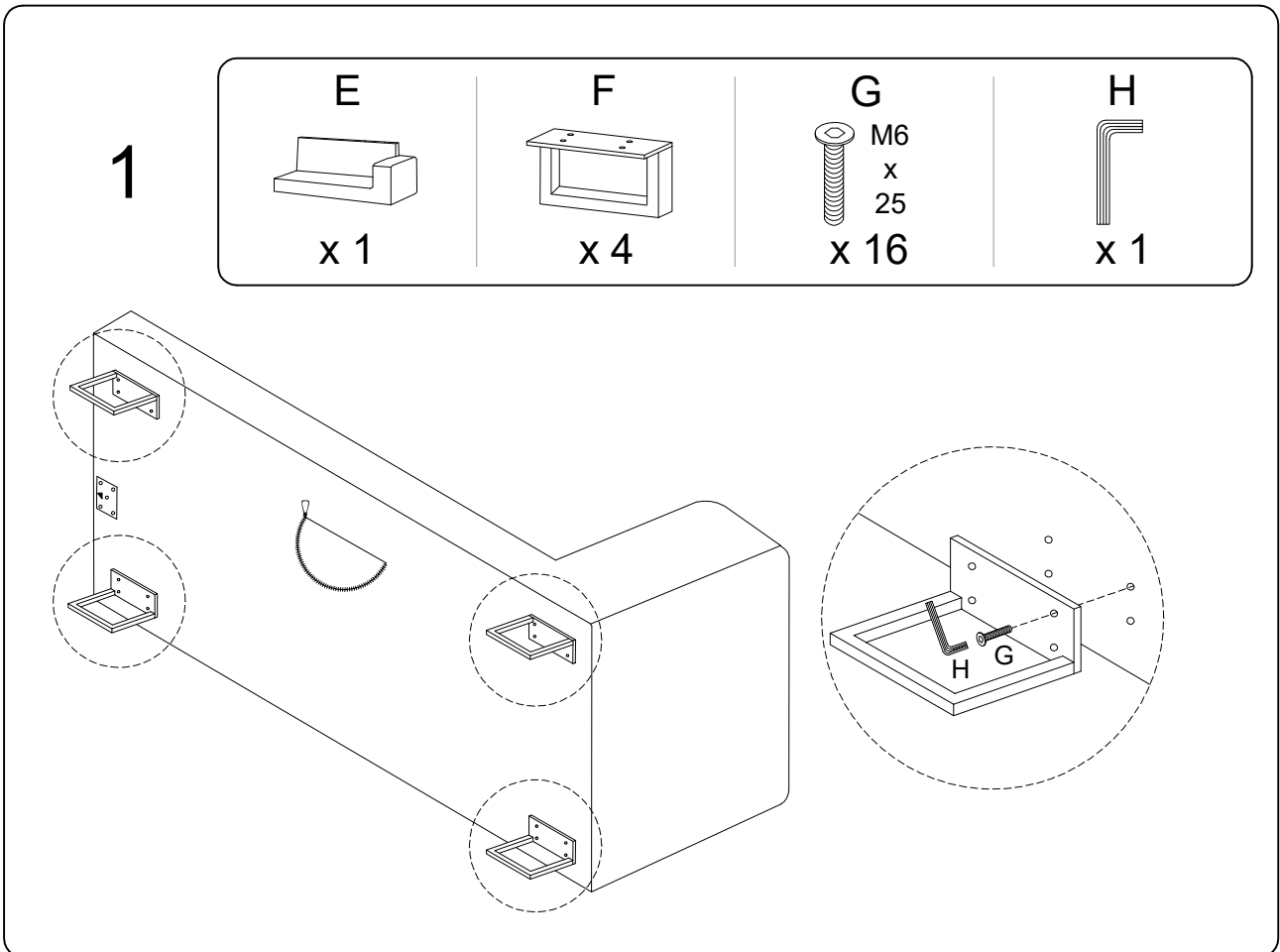
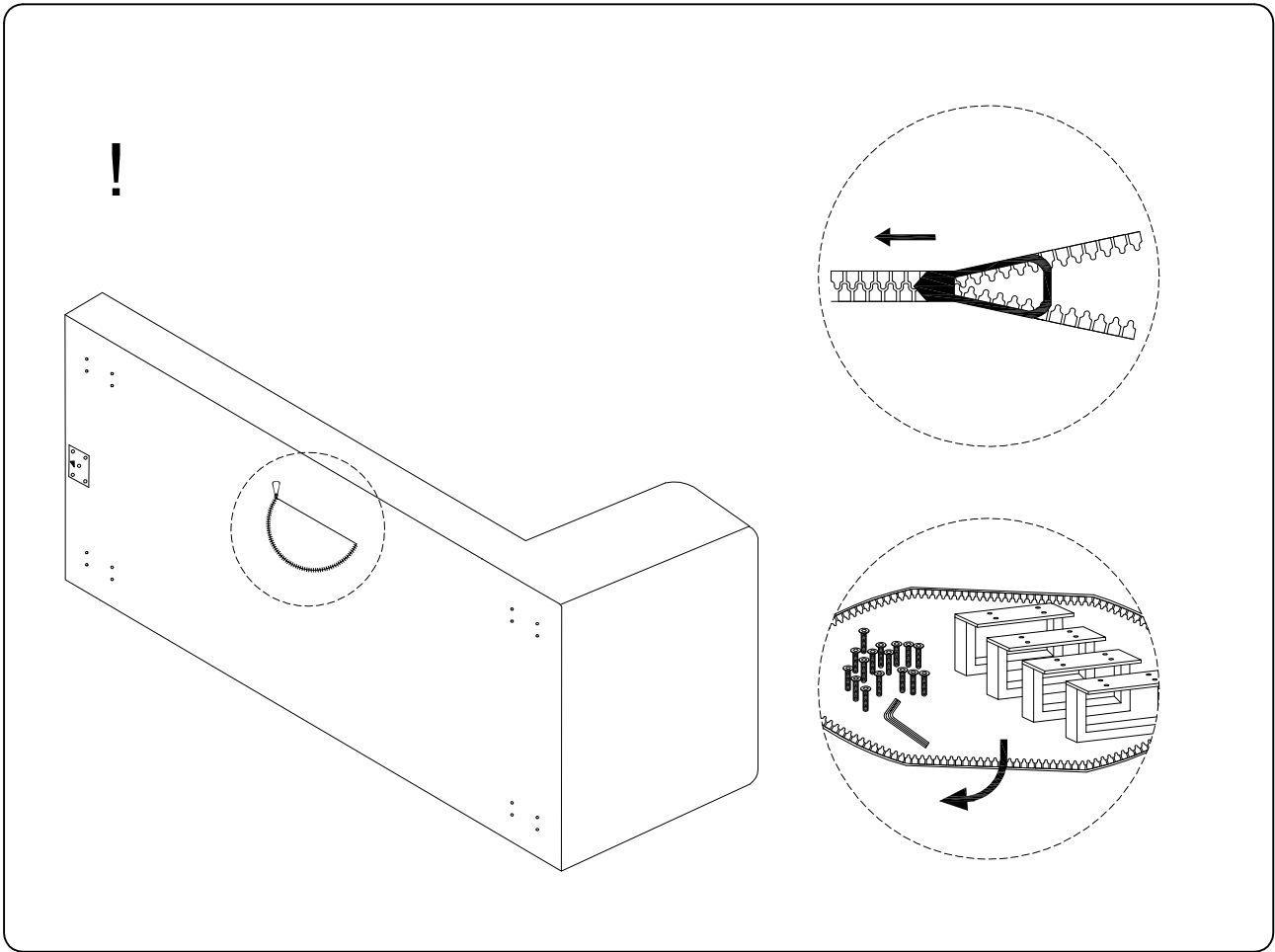

		25'
 		
		2
1/5		

A	B	C	D
			
x 1	x 1	x 2	x 2

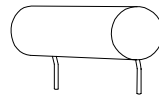


E	F	G	H
		 M6 x 25	
x 1	x 4	x 16	x 1

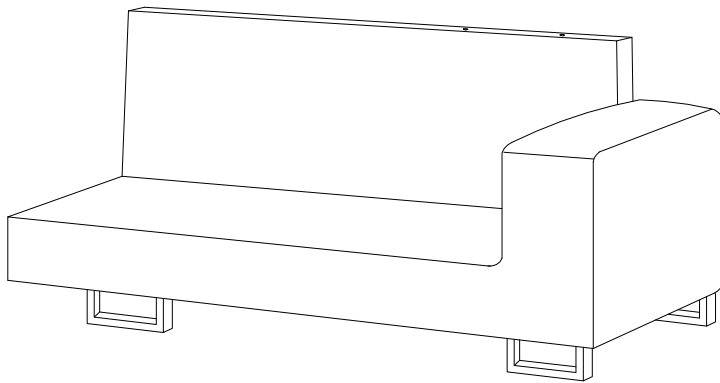
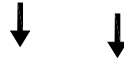
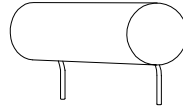


2

A



x 1



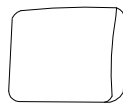
3

B



x 1

C

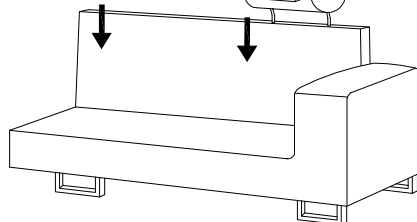
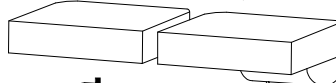
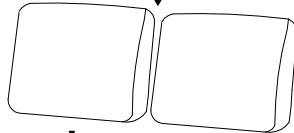


x 2

D



x 2



!

