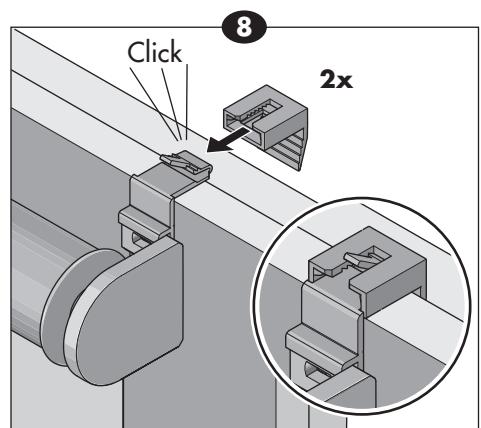
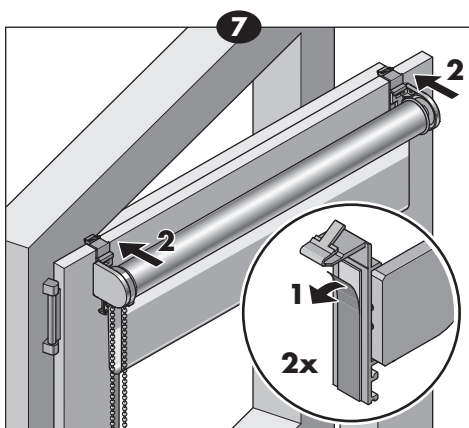
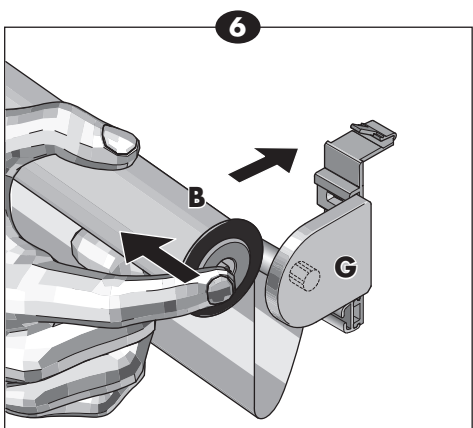
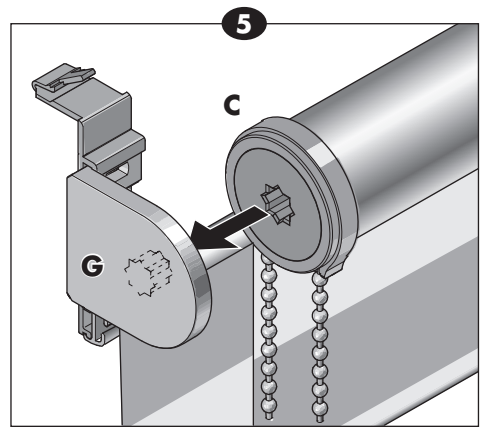
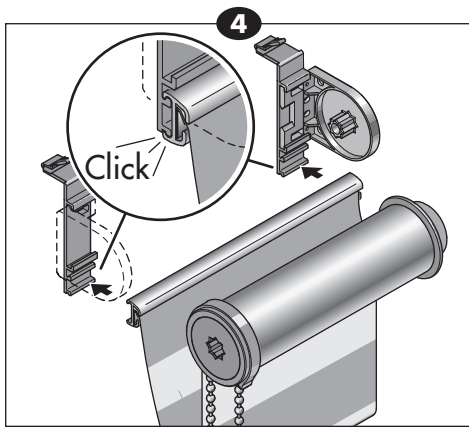
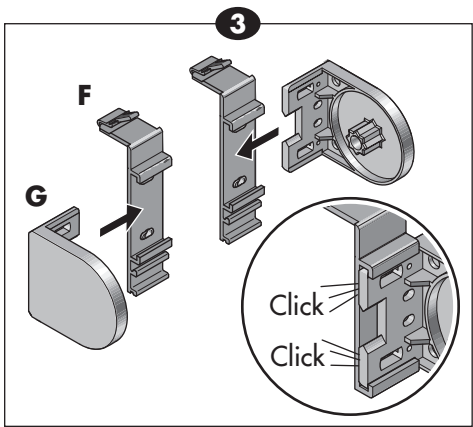
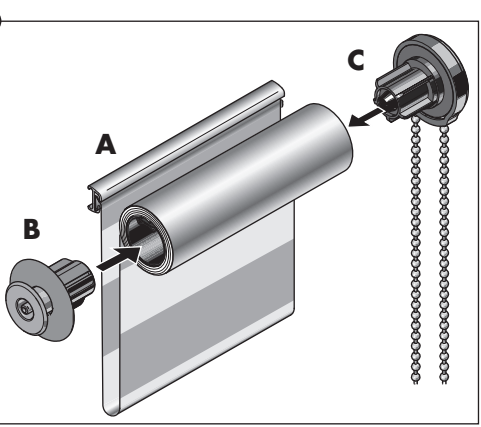
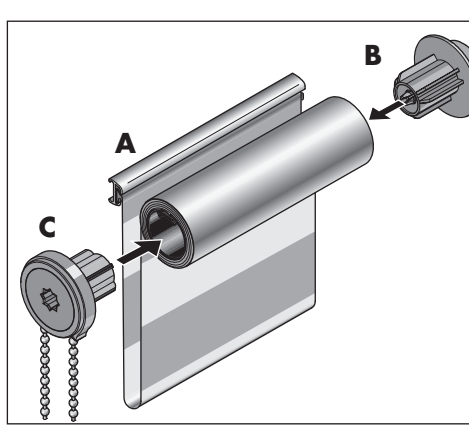
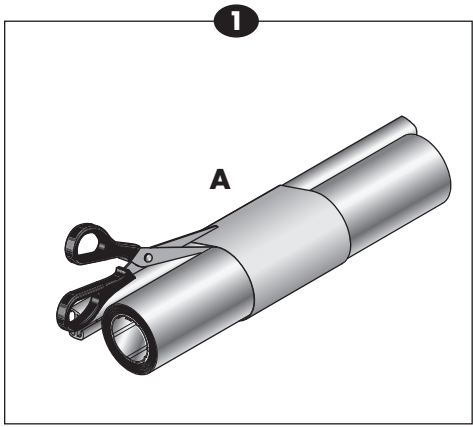
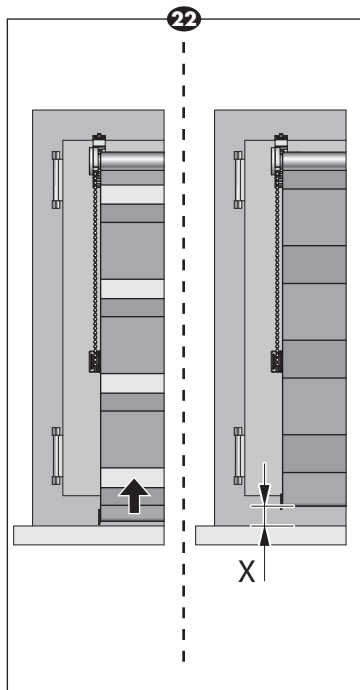
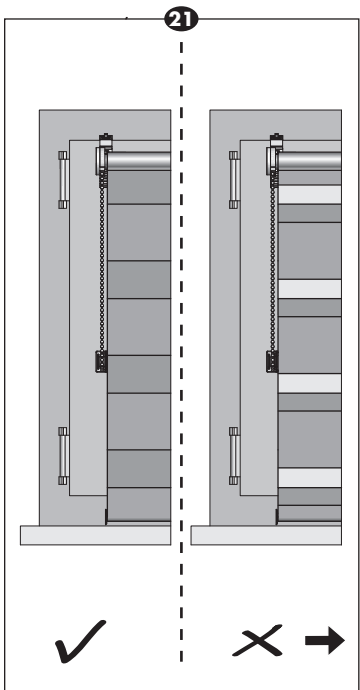
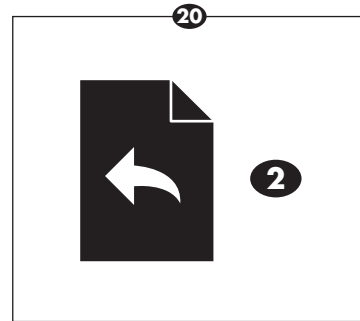
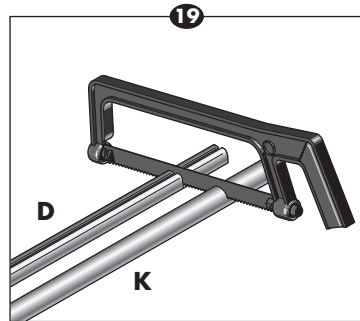
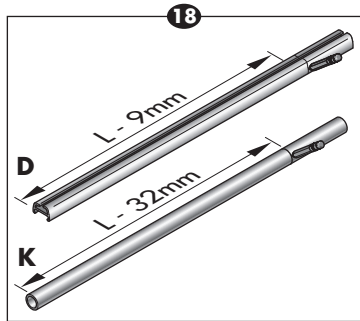
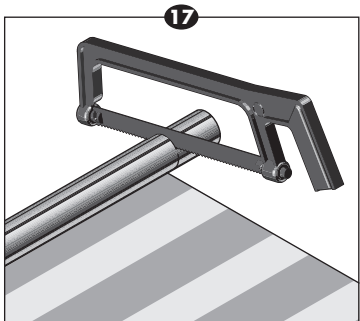
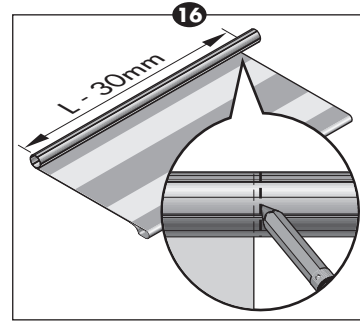
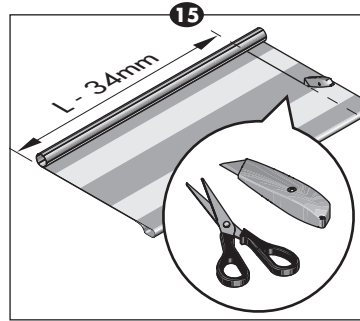
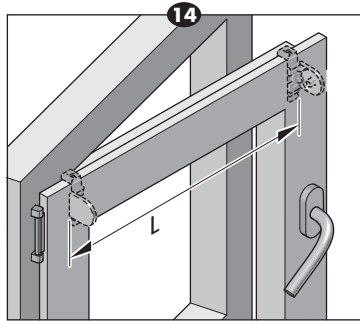
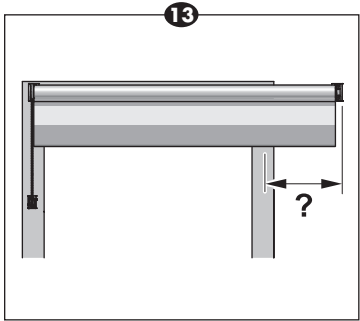
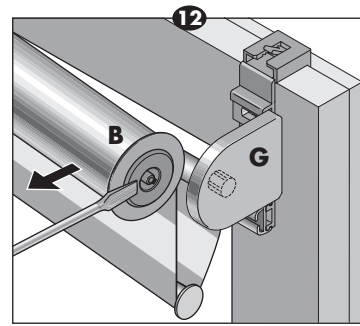
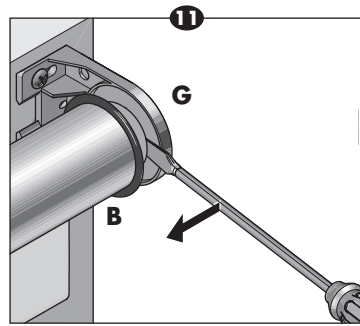
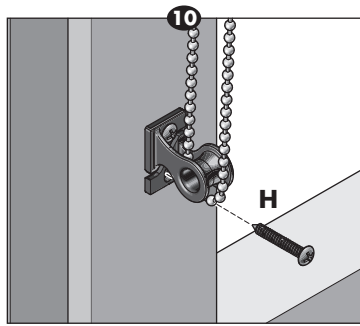
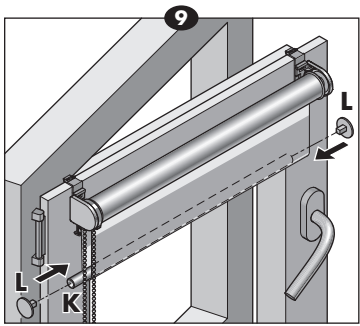


8101044





| X mm | → | Y mm |
|------|---|------|
| 5    |   | 58   |
| 10   |   | 53   |
| 15   |   | 48   |
| 20   |   | 43   |
| 25   |   | 38   |
| 30   |   | 33   |
| 35   |   | 28   |
| 40   |   | 23   |
| 45   |   | 18   |
| 50   |   | 13   |
| 55   |   | 8    |
| 60   |   | 3    |

