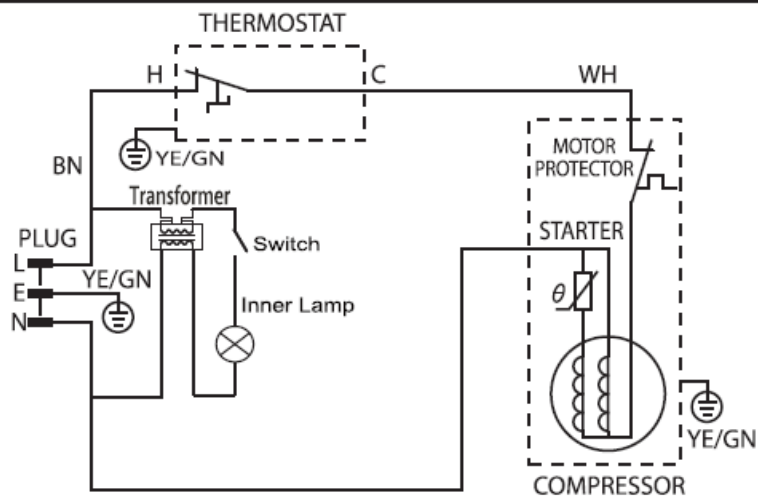


# HUSKY<sup>TM</sup>

**Tel: 0314 - 346646** [www.domest.nl](http://www.domest.nl)

© Husky International Ltd.

We reserve the right to change product specification.



CE



Made in PRC

MODEL KK50-281-NL-HU

CLIMATE CLASS N

CATEGORY OF COOLING  
COMPARTMENT 2 (CELLAR)

STORAGE VOLUME 48L

PROTECTION CLASS I

VOLTAGE 220-240v/50Hz

INPUT CURRENT 0.36A

WATT 49W

ENERGY CONSUMPTION 97 kWh/year

REFRIGERANT R600a 19g

DIMENSIONS (HxWxD) 510x430x460mm

NETT WEIGHT 18.0kgs