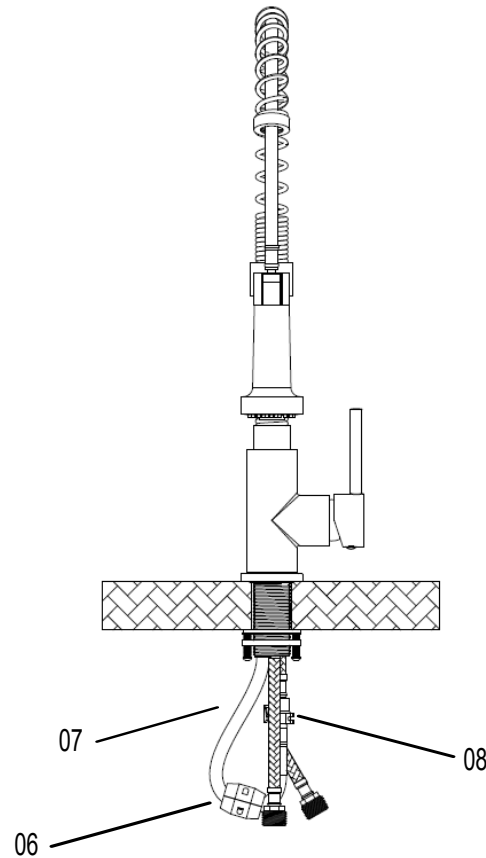
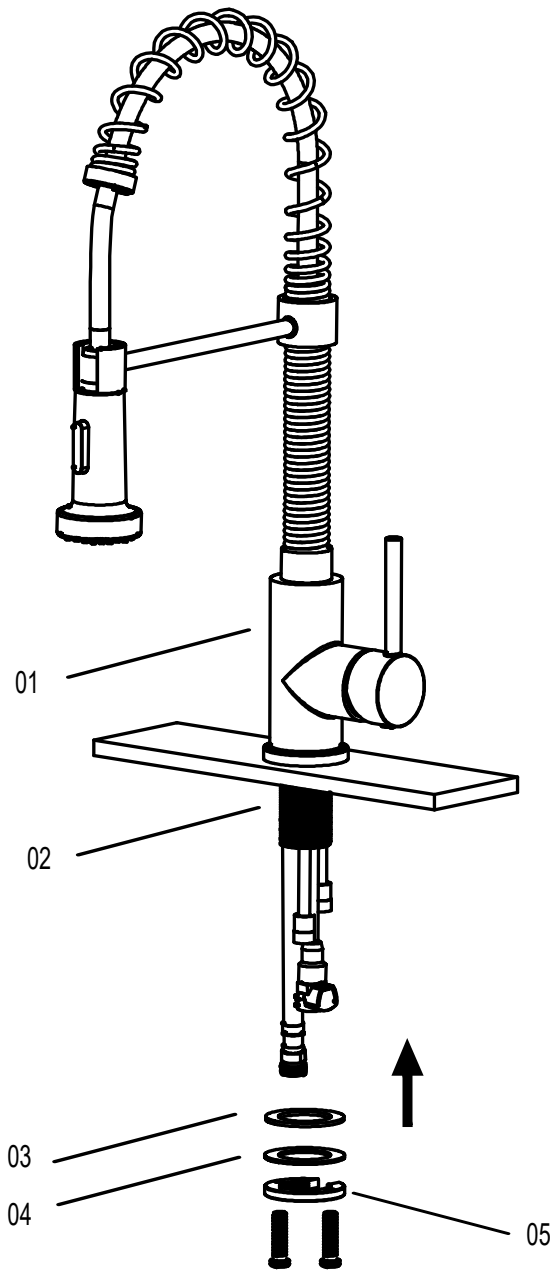


Kitchen Mixer
CR1087-5C/CR1087-5B
Installation Manual



Assembling parts:
1 x fixing part (01-06, 08)
2 x fixing part (07)
Mounting instructions

- 1) Remove the mounting hardware(03-04).
- 2) Install the body(01) through the predrilled hole in the countertop.
- 3) Put the rubber washer(03) and the metal washer(04) onto the mouting shank(02), then screw the mounting nut(05) onto the mouting shank(02) to fix the mixer body(01).
- 4) Install the gravity ball(06) on lowest vertical point on spray hose(07), connect the spray hose(07) by the quick connector(08).
- 5) Connect waterlines to angle stops. Tighten both ends of waterlines with a wrench until snug. Turn on hot and cold angle stops and check for leaks.