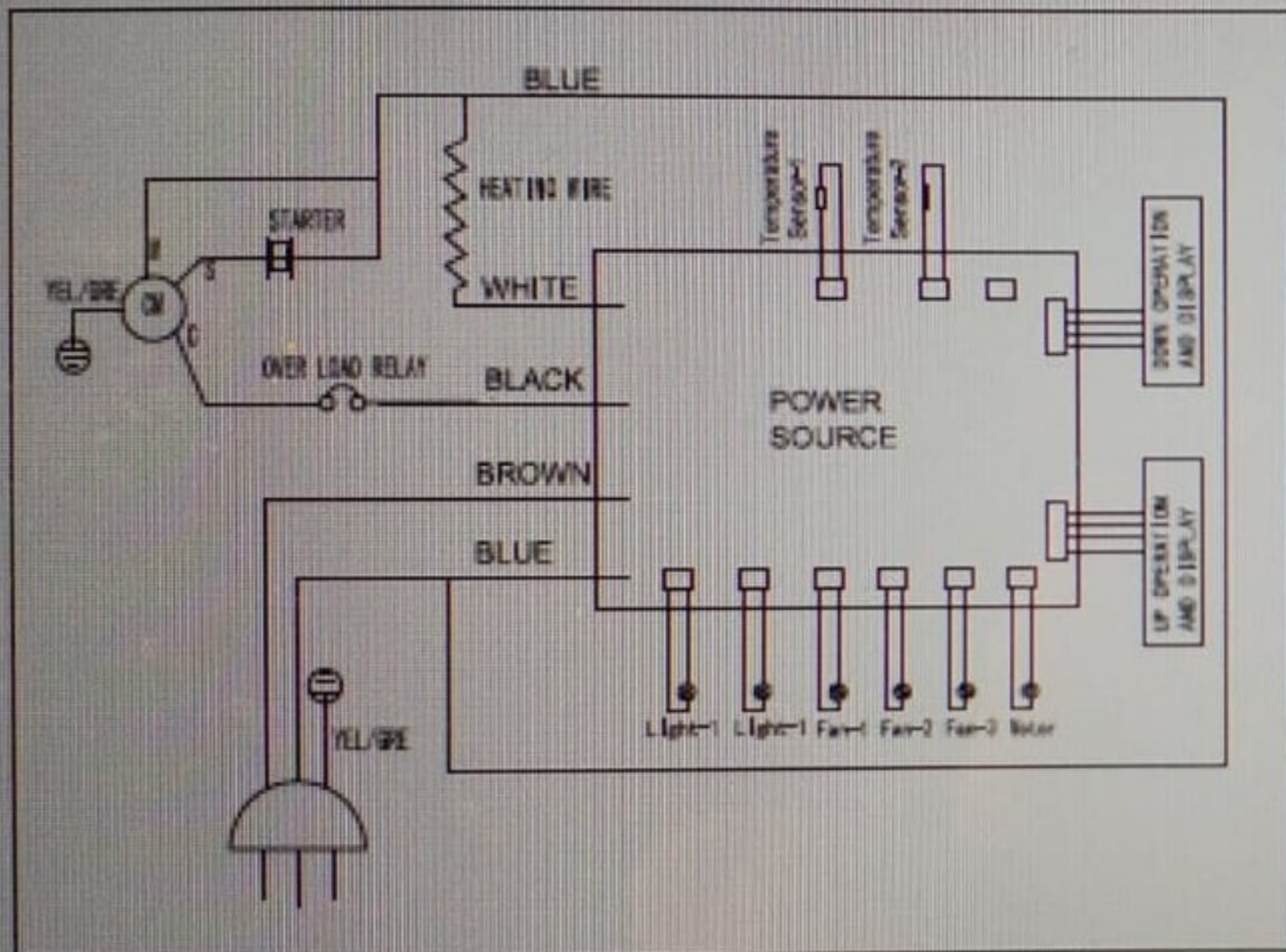




WINE COOLER



Model	B4366
Temp.Zone	2
Cliamate	ST
Protect	
Volume	178L
Gas	R600a/38g
Voltage	220~240V/50Hz
current	0.35A
Daily energy consumption AE	0.452kW.h/24h
Daily energy consumption E16°C	0.144kW.h/24h
Daily energy consumption E32°C	0.76kW.h/24h
Blowing agent	C ₃ H ₁₀