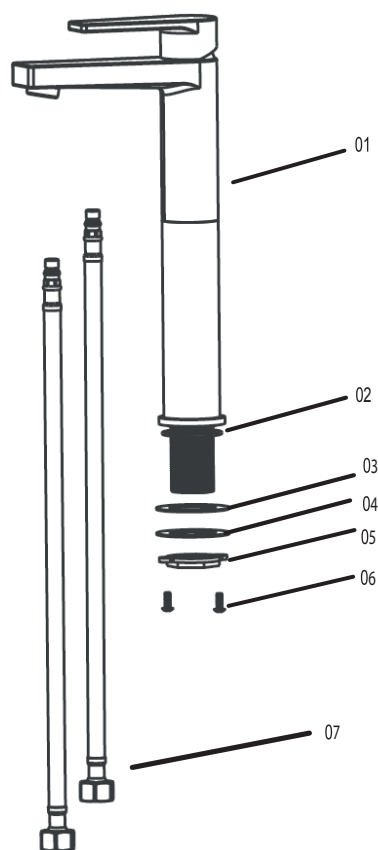




## TECHNICAL DRAWING



Assemblingparts :  
1 x fixing part (02, 03, 04, 05)  
2 x fixing part (06, 07)  
Mounting instructions

- 1) Remove the mounting hardware(03-06).
- 2) Keep o-ring(02) on the base of the body, and then install the body(01) through the predrilled hole in the countertop.
- 3) Put the rubber washer(03) and metal washer(04) onto the mounting shank, then screw the mounting nut(05, 06) onto the mounting shank to fix the mixer body(01).