



**CUSTOMER INFO**  
Minimum Point Size = 3.35pt

**RB Artwork and Print Specification**

Trident Reference No: RB521220  
ZEN Ref: **TR2501989**  
Action: **E**  
Brand: Durex  
Category: Condoms  
Segment Group: Pleasure  
Segment: Pleasure Me  
Pack Size: 10 Pack  
Market/Country: BNL  
Date: 25/07/2022

RBH Contact: Sabine Garime

**Artwork Type: BW Commercial**

Component Code (2D if applicable): **50024212**  
2<sup>nd</sup> Component Code (if applicable): **N/A**  
Parent Technical Packaging Specification: D8387284  
Finished Goods Code: **3118566**  
Supply Point: RB China (Shangma Factory)  
3rd Party Code: N/A  
Pharmaco No/NE: N/A  
Edgemark Position: N/A

CAD Cam Ref: Du-Cr-D8387284-12x4337mm - no emboss SHANGMA  
Printer: Qingdao Leigh-Mardon Packaging Ltd (Qingdao, China)  
Substrate: Carton Board - White

Technical & Non Printing Items  
■ Dieline ■ Dieline 2 (if applicable)  
■ Guides ■ Guides 2 (if applicable)

Colours Carton

Process cyan	Process magenta	Process yellow	Process black

Reverse Print  
 PANTONE 293 C | PANTONE 299 C | Varnish Sealer



Connaught House, Connaught Road,  
Kingswood Business Park, Hull, HU7 3AP, England.  
T: +44 (0) 1482 828100

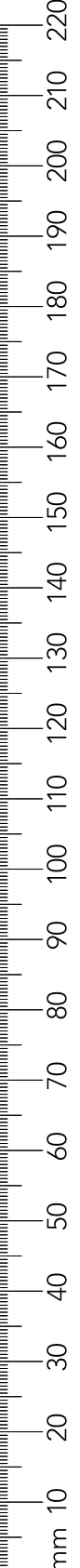
Please note that any low resolution paper Canon colour copies associated with this job should be referred to for content, layout and colour separation only.

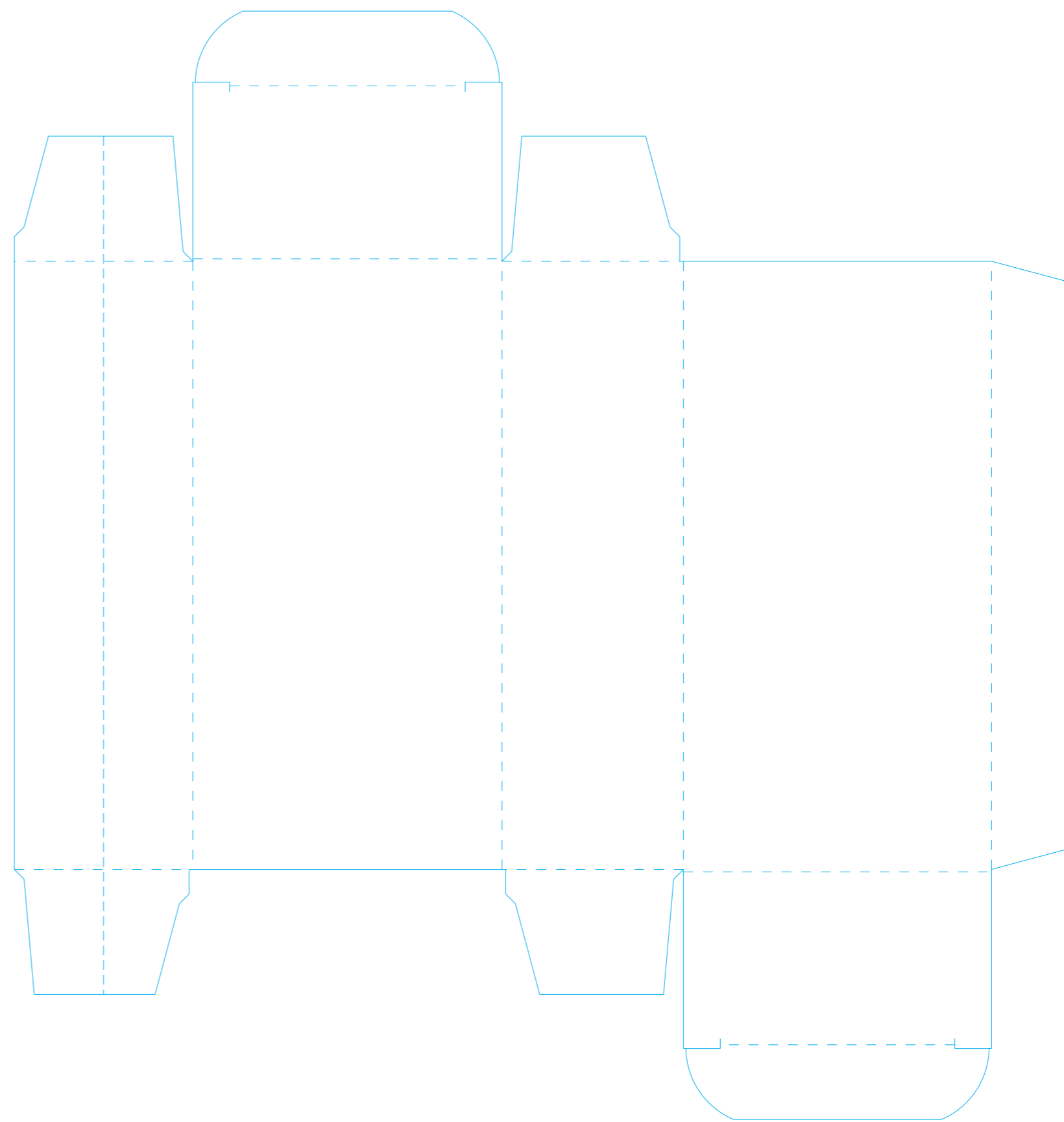
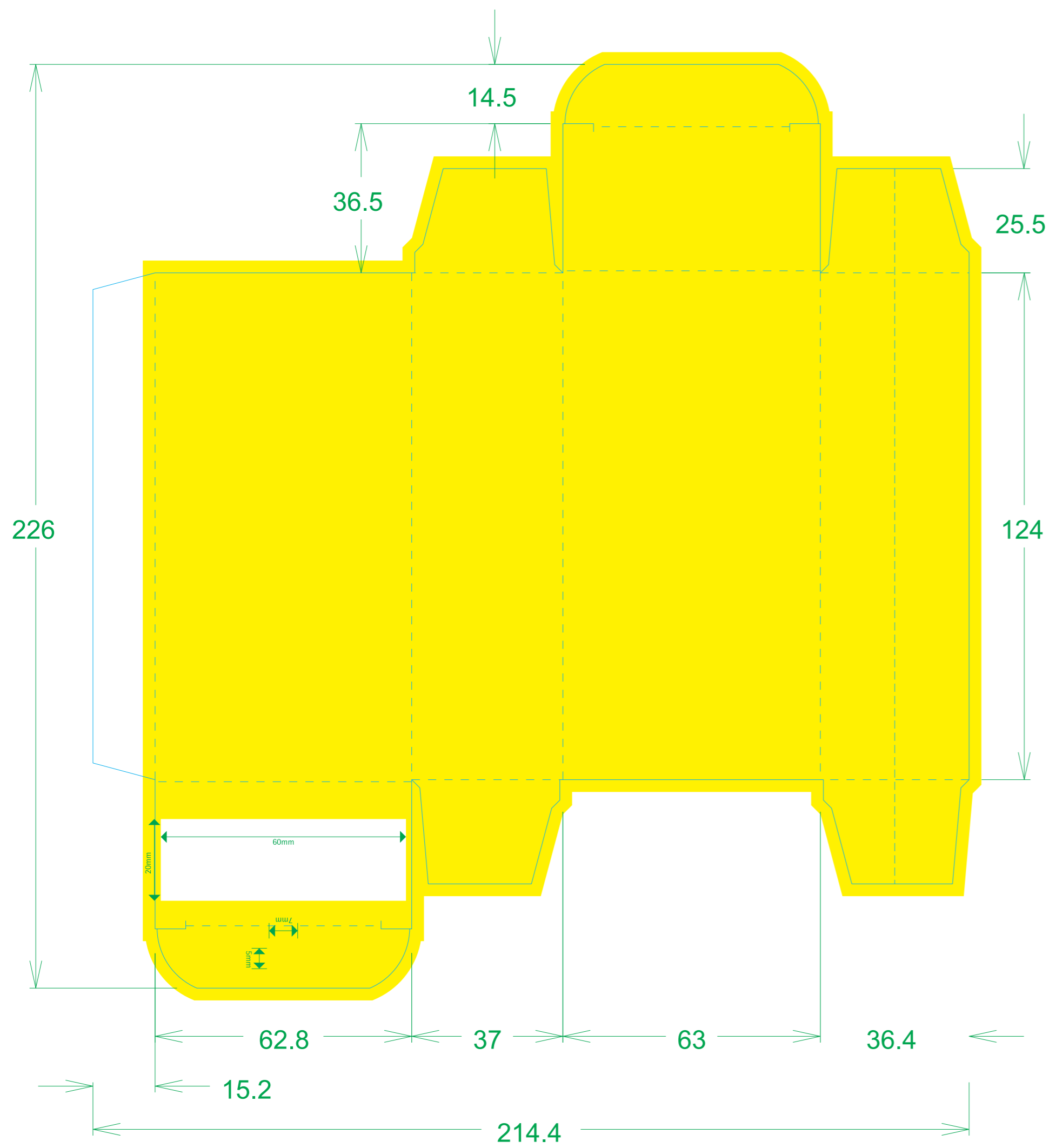
UNDER NO CIRCUMSTANCES SHOULD THIS ARTWORK BE ALTERED WITHOUT PRIOR PERMISSION FROM TRIDENT.

STUDIO USE ONLY Altrison Navanit v2.0

**BARCODE INFO**  
Barcode Type: EAN 13  
Code Value: 5410036305584  
Magnification: 85 %  
Overall Height: 20.12 mm  
Bar Height: 17.5 mm  
BWR Applied: 0 Micrometre

**BARCODE INFO**  
Barcode Type: 2D Code  
Code Value: 50024212  
Magnification: N/A %  
Overall Height: 5 mm  
Bar Height: N/A mm  
BWR Applied: 0 Micrometre





### RB Artwork and Print Specification

Trident Reference No: RB521220  
 ZEN Ref: **TR2501989**  
 Action: **E**  
 Brand: Durex  
 Category: Condoms  
 Segment Group: Pleasure Me  
 Segment: Pleasure Me  
 Pack Size: 10 Pack  
 Market/Country: BNL  
 Date: 25/07/2022

RBH Contact: Sabine Garime

#### Artwork Type: BW Commercial

Component Code (2D if applicable): **50024212**  
 2<sup>nd</sup> Component Code (if applicable): **N/A**  
 Parent Technical Packaging Specification: D8387284  
 Finished Goods Code: **3118566**  
 Supply Point: RB China (Shangma Factory)  
 3rd Party Code: N/A  
 Pharmacode No/NE: N/A  
 Edgemark Position: N/A

CAD Cam Ref: Du-Cn-D8387284-12x6331mm-no emboss-SHANGMA  
 Printer: Qingdao Leigh-Mardon Packaging Ltd (Qingdao, China)  
 Substrate: Carton Board - White

Technical & Non Printing Items  
 ■ Dieline ■ Dieline 2 (if applicable)  
 ■ Guides ■ Guides 2 (if applicable)

Colours  
 Carton

Process cyan	Process magenta	Process yellow	Process black
1	2	3	4
5	6	7	8
PANTONE 213 C	Varnish Satin	Varnish_Gloss	Emboss
9	10	11	12
Reverse Print	PANTONE 299 C	Varnish_Sealet	
13	14	15	



Please note that any low resolution paper Canon colour copies associated with this job should be referred to for content, layout and colour separation only.

UNDER NO CIRCUMSTANCES SHOULD THIS ARTWORK BE ALTERED WITHOUT PRIOR PERMISSION FROM TRIDENT.

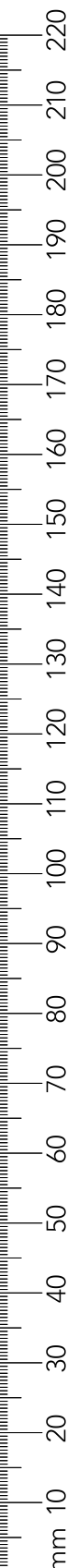
STUDIO USE ONLY Altrison Navanit v2.0

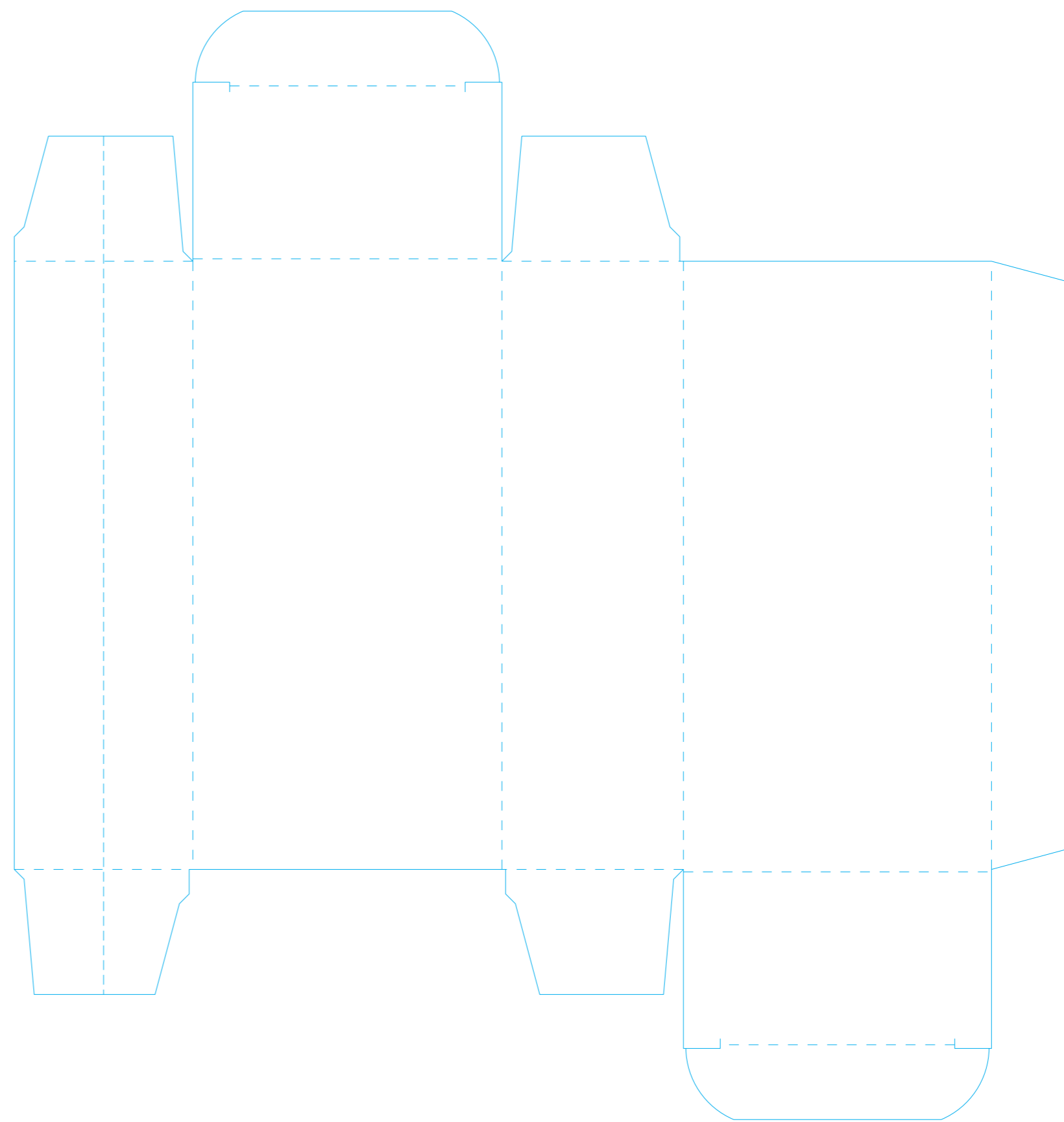
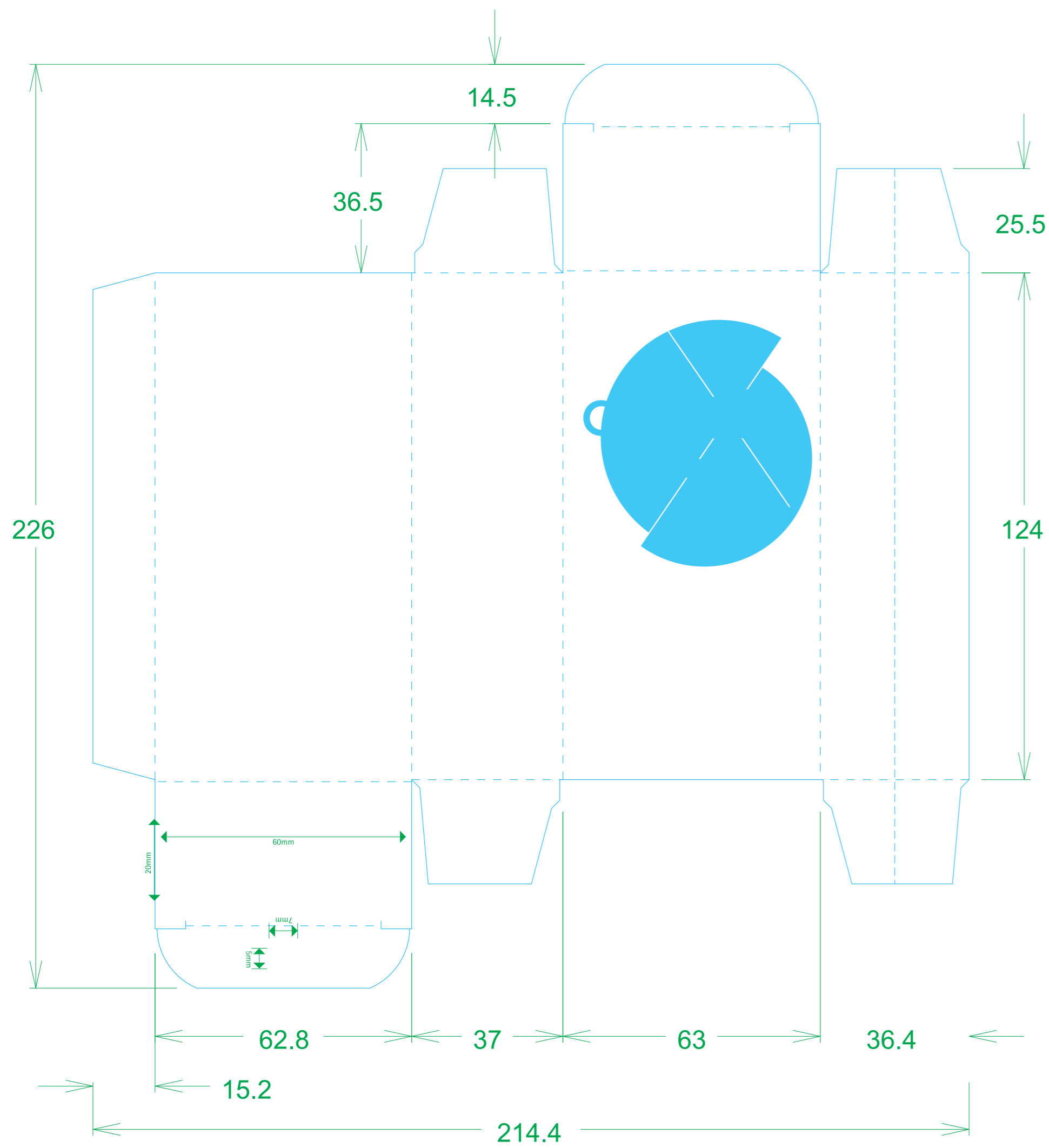
#### BARCODE INFO

Barcode Type:	EAN 13
Code Value:	5410036305584
Magnification:	85 %
Overall Height:	20.12 mm
Bar Height:	17.5 mm
BWR Applied:	0 Micrometre

#### BARCODE INFO

Barcode Type:	2D Code
Code Value:	50024212
Magnification:	N/A %
Overall Height:	5 mm
Bar Height:	N/A mm
BWR Applied:	0 Micrometre





### RB Artwork and Print Specification

Trident Reference No:	RB521220
ZEN Ref:	<b>TR2501989</b>
Action:	<b>E</b>
Brand:	Durex
Category:	Condoms
Segment Group:	Pleasure Me
Segment:	Pleasure Me
Pack Size:	10 Pack
Market/Country:	BNL
Date:	25/07/2022

RBH Contact: Sabine Garime

### Artwork Type: BW Commercial

Component Code (2D if applicable):	<b>50024212</b>
2 <sup>nd</sup> Component Code (if applicable):	<b>N/A</b>
Parent Technical Packaging Specification:	D8387284
Finished Goods Code:	<b>3118566</b>
Supply Point:	RB China (Shangna Factory)
3rd Party Code:	N/A
Pharmacode No/NE:	N/A
Edgemark Position:	N/A

CAD Cam Ref:	Du-Cn-08387284-126333mm-no-emboss-SHANGNA
Printer:	Qingdao Leigh-Hardon Packaging Ltd (Qingdao, China)
Substrate:	Carton Board - White

Technical & Non Printing Items	
Dieline	Dieline 2 (if applicable)
Guides	Guides 2 (if applicable)

Colours			
Carton			
Process cyan	Process magenta	Process yellow	Process black
1	2	3	4
1Tr	2Tr	3Tr	4Tr
PANTONE 213 C	Varnish Satin	Varnish_Gloss	Emboss
5	6	7	8
5Tr	6Tr	7Tr	8Tr
Reverse Print			
PANTONE 299 C	PANTONE 299 C	Varnish_Sealet	
1	2	3	
1Tr	2Tr	3Tr	



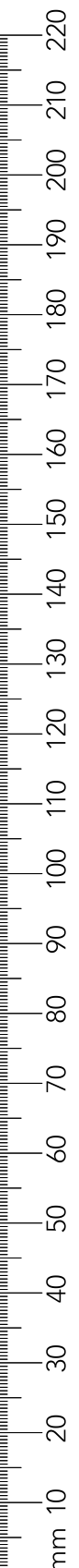
Please note that any low resolution paper Canon colour copies associated with this job should be referred to for content, layout and colour separation only.

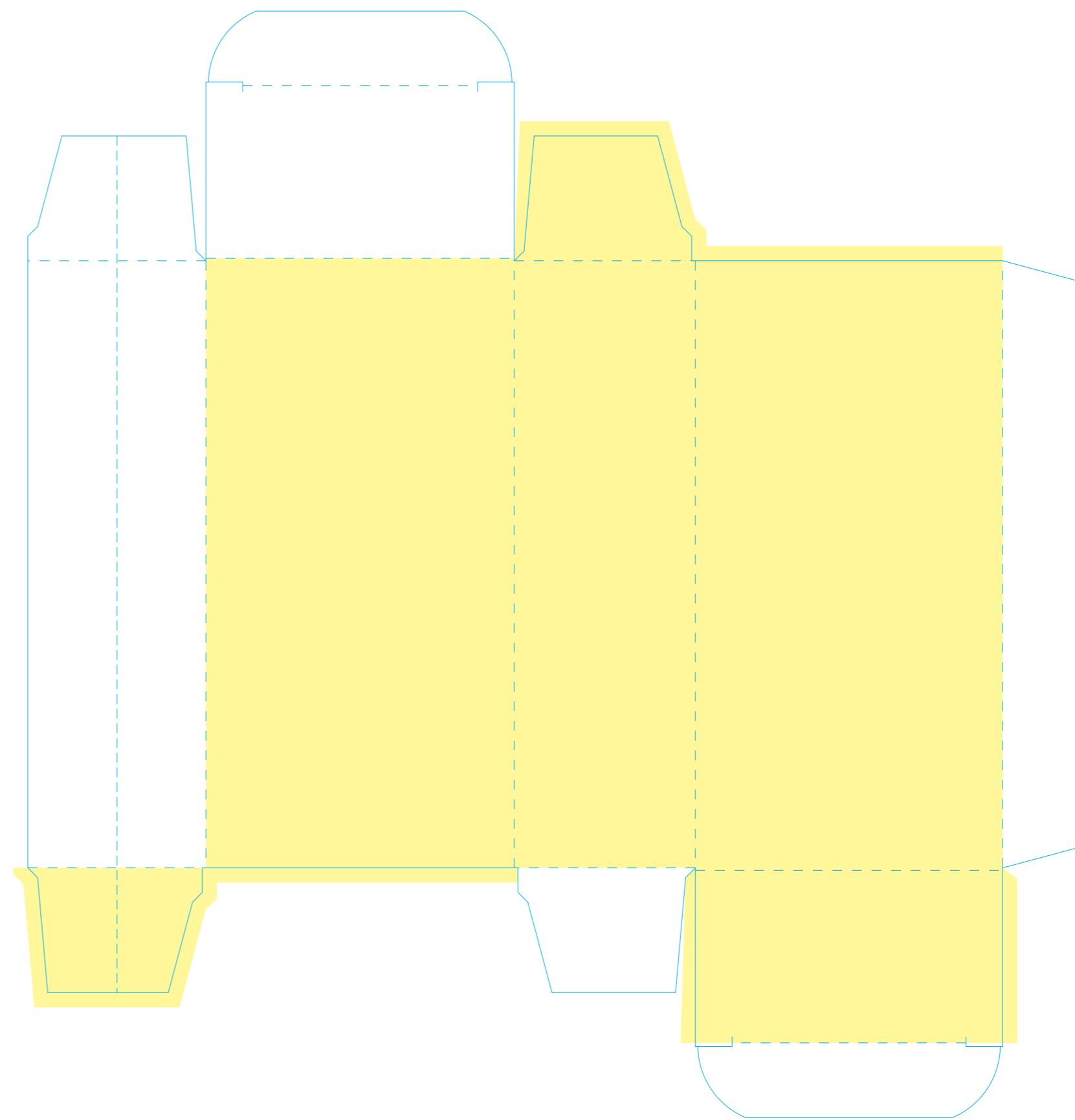
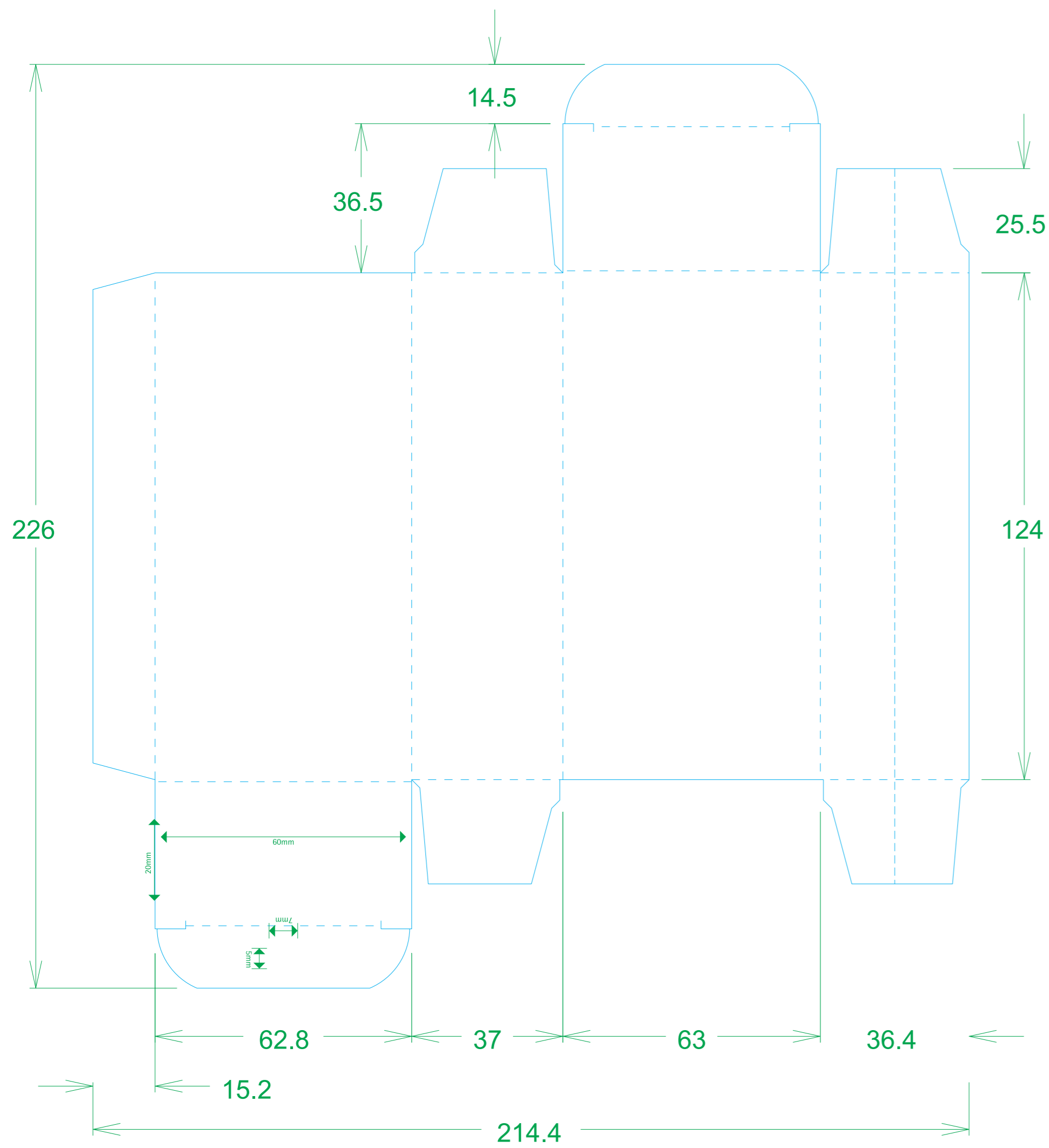
UNDER NO CIRCUMSTANCES SHOULD THIS ARTWORK BE ALTERED WITHOUT PRIOR PERMISSION FROM TRIDENT.

STUDIO USE ONLY Altrison Navanit v2.0

<b>BARCODE INFO</b>	
Barcode Type:	EAN 13
Code Value:	5410036305584
Magnification:	85 %
Overall Height:	20.12 mm
Bar Height:	17.5 mm
BWR Applied:	0 Micrometre

<b>BARCODE INFO</b>	
Barcode Type:	2D Code
Code Value:	50024212
Magnification:	N/A %
Overall Height:	5 mm
Bar Height:	N/A mm
BWR Applied:	0 Micrometre





### RB Artwork and Print Specification

Trident Reference No: RB521220  
 ZEN Ref: **TR2501989**  
 Action: **E**  
 Brand: Durex  
 Category: Condoms  
 Segment Group: Pleasure Me  
 Segment: Pleasure Me  
 Pack Size: 10 Pack  
 Market/Country: BNL  
 Date: 25/07/2022

RBH Contact: Sabine Garime

#### Artwork Type: BW Commercial

Component Code (2D if applicable): **50024212**  
 2<sup>nd</sup> Component Code (if applicable): **N/A**  
 Parent Technical Packaging Specification: D8387284  
 Finished Goods Code: **3118566**  
 Supply Point: RB China (Shangma Factory)  
 3rd Party Code: N/A  
 Pharmacode No/NE: N/A  
 Edgemark Position: N/A

CAD Cam Ref: Du-Cn-D8387284-12x6331mm-no-emboss-SHANGMA  
 Printer: Qingdao Leigh-Mardon Packaging Ltd (Qingdao, China)  
 Substrate: Carton Board - White

Technical & Non Printing Items  
 ■ Dieline ■ Dieline 2 (if applicable)  
 ■ Guides ■ Guides 2 (if applicable)

Colours  
 Carton

Process cyan	Process magenta	Process yellow	Process black
1	2	3	4
1Tr	2Tr	3Tr	4Tr
FANTONE 213 C	Varnish Satin	Varnish_Gloss	Emboss
5	6	7	8
5Tr	6Tr	7Tr	8Tr
Reverse Print	FANTONE 299 C	Varnish Sealer	
1	2	3	
1Tr	2Tr	3Tr	



Please note that any low resolution paper Canon colour copies associated with this job should be referred to for content, layout and colour separation only.

UNDER NO CIRCUMSTANCES SHOULD THIS ARTWORK BE ALTERED WITHOUT PRIOR PERMISSION FROM TRIDENT.

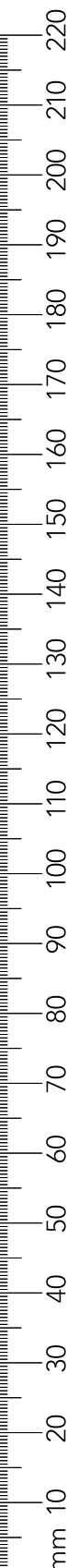
STUDIO USE ONLY Altrison Navanit v2.0

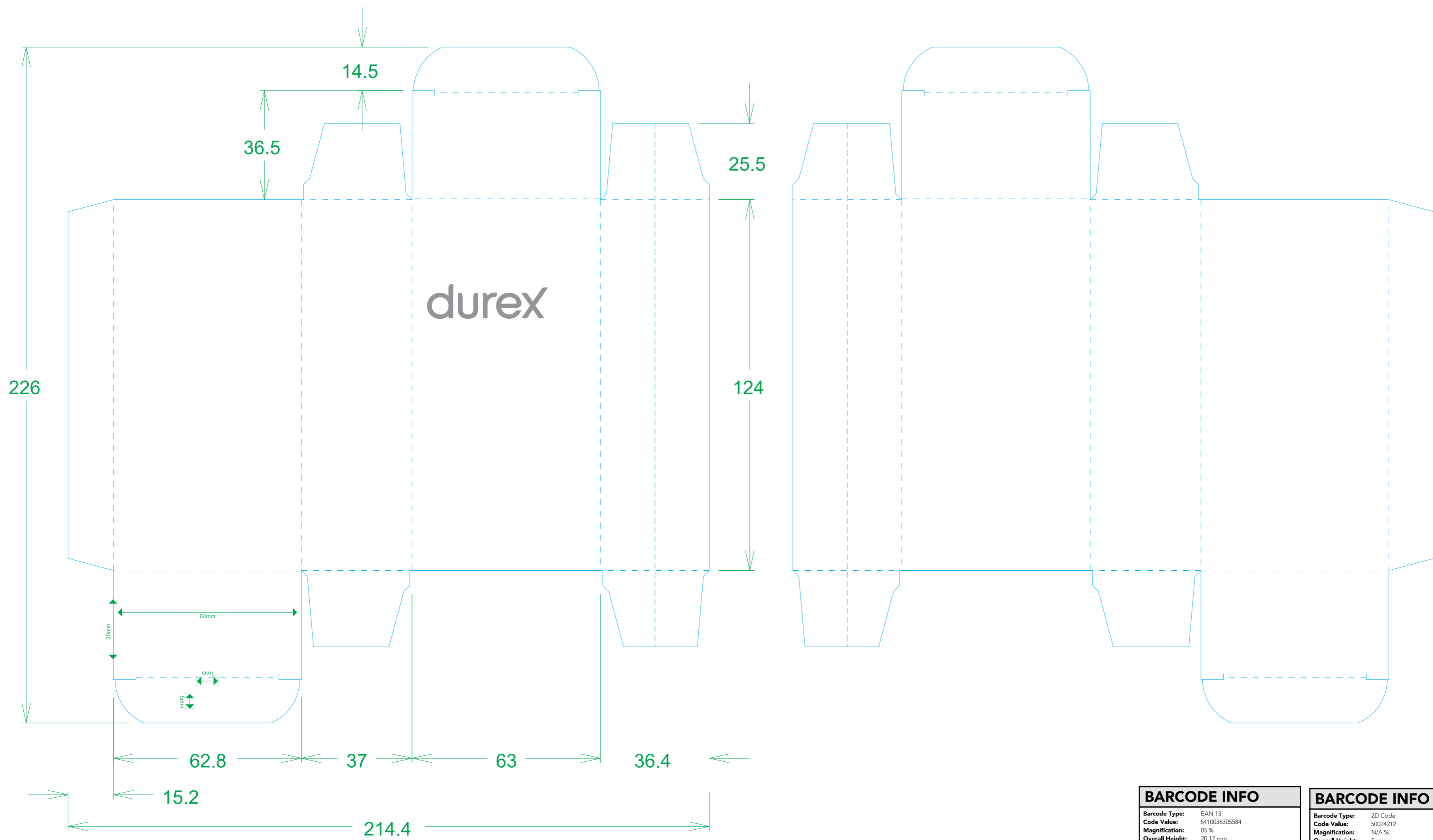
#### BARCODE INFO

Barcode Type:	EAN 13
Code Value:	5410036305584
Magnification:	85 %
Overall Height:	20.12 mm
Bar Height:	17.5 mm
BWR Applied:	0 Micrometre

#### BARCODE INFO

Barcode Type:	2D Code
Code Value:	50024212
Magnification:	N/A %
Overall Height:	5 mm
Bar Height:	N/A mm
BWR Applied:	0 Micrometre





### RB Artwork and Print Specification

Trident Reference No: RB521220  
 ZEN Ref: **TR2501989**  
 Action: **E**  
 Brand: Durex  
 Category: Condoms  
 Segment Group: Pleasure Me  
 Segment: Pleasure Me  
 Pack Size: 10 Pack  
 Market/Country: BNL  
 Date: 25/07/2022

RBH Contact: Sabine Garime

#### Artwork Type: BW Commercial

Component Code (2D if applicable): **50024212**  
 2<sup>nd</sup> Component Code (if applicable): **N/A**  
 Parent Technical Packaging Specification: D8387284  
 Finished Goods Code: **3118566**  
 Supply Point: RB China (Shangma Factory)  
 3rd Party Code: N/A  
 Pharmacode No/NE: N/A  
 Edgemark Position: N/A

CAD Cam Ref: Du-Cn-08387284-126333mm-no-emboss-SHANGMA  
 Printer: Qingdao Leigh-Mardon Packaging Ltd (Qingdao, China)  
 Substrate: Carton Board - White

Technical & Non Printing Items  
 ■ Dieline                      ■ Dieline 2 (if applicable)  
 ■ Guides                        ■ Guides 2 (if applicable)

Colours  
 Carton

Process cyan 1 1Tr	Process magenta 2 2Tr	Process yellow 3 3Tr	Process black 4 4Tr
PANTONE 213 C 5 5Tr	Varnish Satin 6 6Tr	Varnish_Gloss 7 7Tr	Emboss 8 8Tr
Reverse Print PANTONE 299 C 1 1Tr	PANTONE 299 C 2 2Tr	Varnish Sealer 3 3Tr	



Please note that any low resolution paper Canon colour copies associated with this job should be referred to for content, layout and colour separation only.

UNDER NO CIRCUMSTANCES SHOULD THIS ARTWORK BE ALTERED WITHOUT PRIOR PERMISSION FROM TRIDENT.

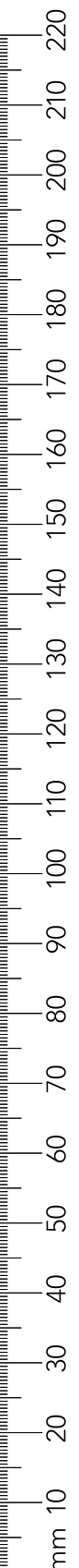
STUDIO USE ONLY    Altrison Navanit    v2.0

#### BARCODE INFO

<b>Barcode Type:</b>	EAN 13
<b>Code Value:</b>	5410036305584
<b>Magnification:</b>	85 %
<b>Overall Height:</b>	20.12 mm
<b>Bar Height:</b>	17.5 mm
<b>BWR Applied:</b>	0 Micrometre

#### BARCODE INFO

<b>Barcode Type:</b>	2D Code
<b>Code Value:</b>	50024212
<b>Magnification:</b>	N/A %
<b>Overall Height:</b>	5 mm
<b>Bar Height:</b>	N/A mm
<b>BWR Applied:</b>	0 Micrometre



Production line		
Manufacturing site		
Pack Tech approver	1st 2nd	
Date		
Check Criteria	Details & Comments	Checks
Approvals		1st 2nd
Market Approval		
Regulatory Approval		
3rd Party Approval		
Technical Drawing/ Cutter ref no. & PPI component code		
PPI component code number/s correct on artwork?		
PPI component code number/s in correct position on artwork?		
Correct drawing for the production line?		
Profile shape & dimensions		
Graphics layout/orientation		
Unwind diagram (PPTD1022/1-20)		
Printable areas/bleed		
Varnish free areas		
Variable coding position & dimensions		
Varnish and print requirements		
Pre-printed headers (alignment and suitability)		
Embossing, Braille & Foil Blocking		
Separations on artwork		
Alignment within cutter		
Braille structure		
Verification Code Type; Pharma Code / 2D / OCV		
Bar sequence and/or number correct on artwork		
Bar sequence and/or number in correct position on artwork?		
Size (height, width, spacing, font)		
Direction of read		
Light margins and print free areas		
Colour		
Repeat distance (reeled material)		
Cross check related docs ie BOM		
Bar code Type; EAN, ITF, Code39, etc		
Magnification / width and height		
Colour (e.g. black print on white background)		
Light margins & indicators		
Bearer bars & H gauges (if required)		
Symbol grade (Pass = A,B,C; Action = D,F)		
Bar code number (human readable)		
Bar code number (encoded & hidden data)		
Confirm bar code number from source		
Cross check related docs (JDE/PID)		
Photo-electric cell mark / edge marks		
Present & per Tech drawing?		
Correct pitch?		
Additional markings		
e-mark, recycle logo etc		
Legend box (RB specification)		
Correct component code		
Correct D spec / has cutter changed?		
Correct printer / has printer changed?		
Correct Substrate		
A/W is set up appropriately for this substrate		
Edge mark details		
Pharmacode details		
Colours & print process		
Varnish		
Barcode information		
General details are correct		
Pass / Fail comments and Signature		
By approving the artwork referenced within this form I authorise it for release to the print supplier		
Additional Comments		

Version 004 07/01/2020

## RB Artwork and Print Specification

Trident Reference No: RB521220  
 ZEN Ref: **TR2501989**  
 Action: **E**  
 Brand: Durex  
 Category: Condoms  
 Segment Group: Pleasure  
 Segment: Pleasure Me  
 Pack Size: 10 Pack  
 Market/Country: BNL  
 Date: 25/07/2022

RBH Contact: Sabine Garime

### Artwork Type: BW Commercial

Component Code (2D if applicable): **50024212**  
 2<sup>nd</sup> Component Code (if applicable): **N/A**  
 Parent Technical Packaging Specification: D8387284  
 Finished Goods Code: **3118566**  
 Supply Point: RB China (Shangma Factory)  
 3rd Party Code: N/A  
 Pharmacode No/NE: N/A  
 Edgemark Position: N/A

CAD Cam Ref: Dur-Cn-D8387284-12x6331mm - no emboss SHANGMA  
 Printer: Qingdao Leigh-Mardon Packaging Ltd (Qingdao, China)  
 Substrate: Carton Board - White

Technical & Non Printing Items  
 Dieline Dieline 2 (if applicable)  
 Guides Guides 2 (if applicable)

Colours  
 Carton

Process cyan	Process magenta	Process yellow	Process black
1	2	3	4
5	6	7	8
PANTONE 213 C	Varnish Satin	Varnish Gloss	Emboss
Reverse Print	PANTONE 299 C	Varnish Sealer	
1	2	3	



Please note that any low resolution paper Canon colour copies associated with this job should be referred to for content, layout and colour separation only.

UNDER NO CIRCUMSTANCES SHOULD THIS ARTWORK BE ALTERED WITHOUT PRIOR PERMISSION FROM TRIDENT.

