

CUSTOMER INFO
Minimum Point Size = 3.30pt

RB Artwork and Print Specification

Trident Reference No:	RBS21203
ZEN Ref:	TR2501825
Action:	E
Brand:	Durex
Category:	Condoms
Segment Group:	Originals
Segment:	Condoms
Pack Size:	10 Pack
Market/Country:	BNL
Date:	15/07/2022

RBH Contact: Sabine Garime

Artwork Type: BW Commercial

Component Code (if applicable):	50024213
2nd Component Code (if applicable):	N/A
Parent Technical Packaging Specification:	D8387284
Finished Goods Code:	3118657
Supply Point:	RB China (Shanghai Factory)
3rd Party Code:	N/A
Pharmaco No/NE:	N/A
Edgemark Position:	N/A

CAD Cam Ref:	Dur-Ca-083784-124x317mm - no emboss SHANGHAI
Printer:	Qingdao Leigh-Mardon Packaging Ltd (Qingdao, China)
Substrate:	Carton Board - White

Technical & Non Printing Items	
Dieline	Dieline 2 (if applicable)
Guides	Guides 2 (if applicable)

Colours			
Carton			
Process cyan	Process magenta	Yellow	Black
100%	100%	100%	100%
PANTONE Reflex Blue C	Varnish Satin	Varnish Gloss	Emboss
5	6	7	8
100%	100%	100%	100%
Reverse Print			
PANTONE Reflex Blue C	PANTONE 299 C	Varnish Sealer	
100%	100%	100%	



Connaught House, Connaught Road, Kingswood Business Park, Hull, HU7 3AP, England. T: +44 (0) 01482 828100

Please note that any low resolution paper Canon colour copies associated with this job should be referred to for content, layout and colour separation only.

UNDER NO CIRCUMSTANCES SHOULD THIS ARTWORK BE ALTERED WITHOUT PRIOR PERMISSION FROM TRIDENT.

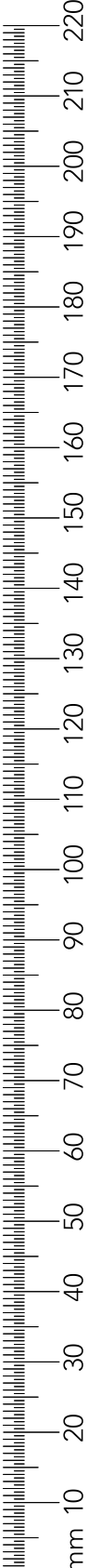
STUDIO USE ONLY Muthukumar Rajachithambaram v2.0

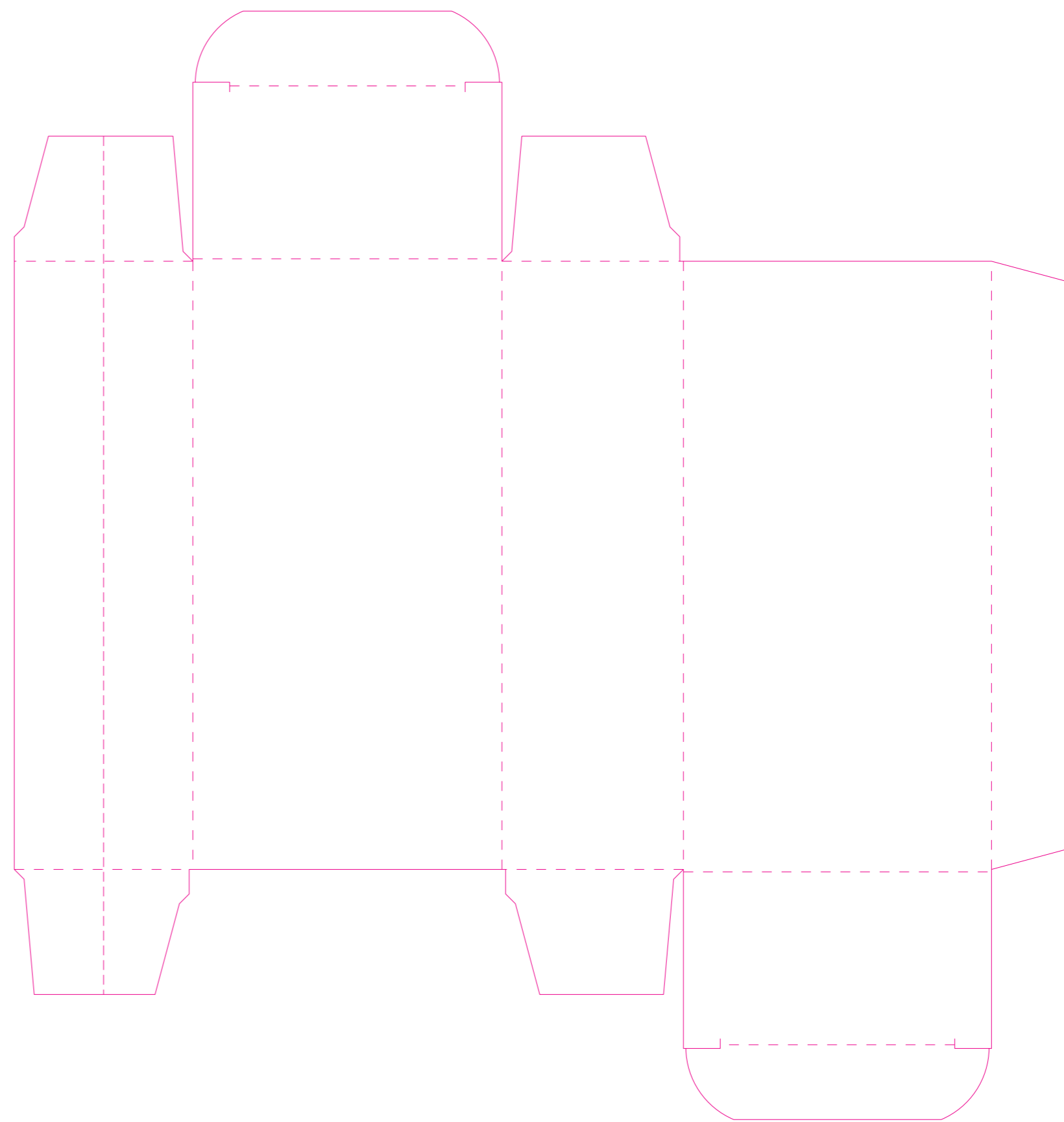
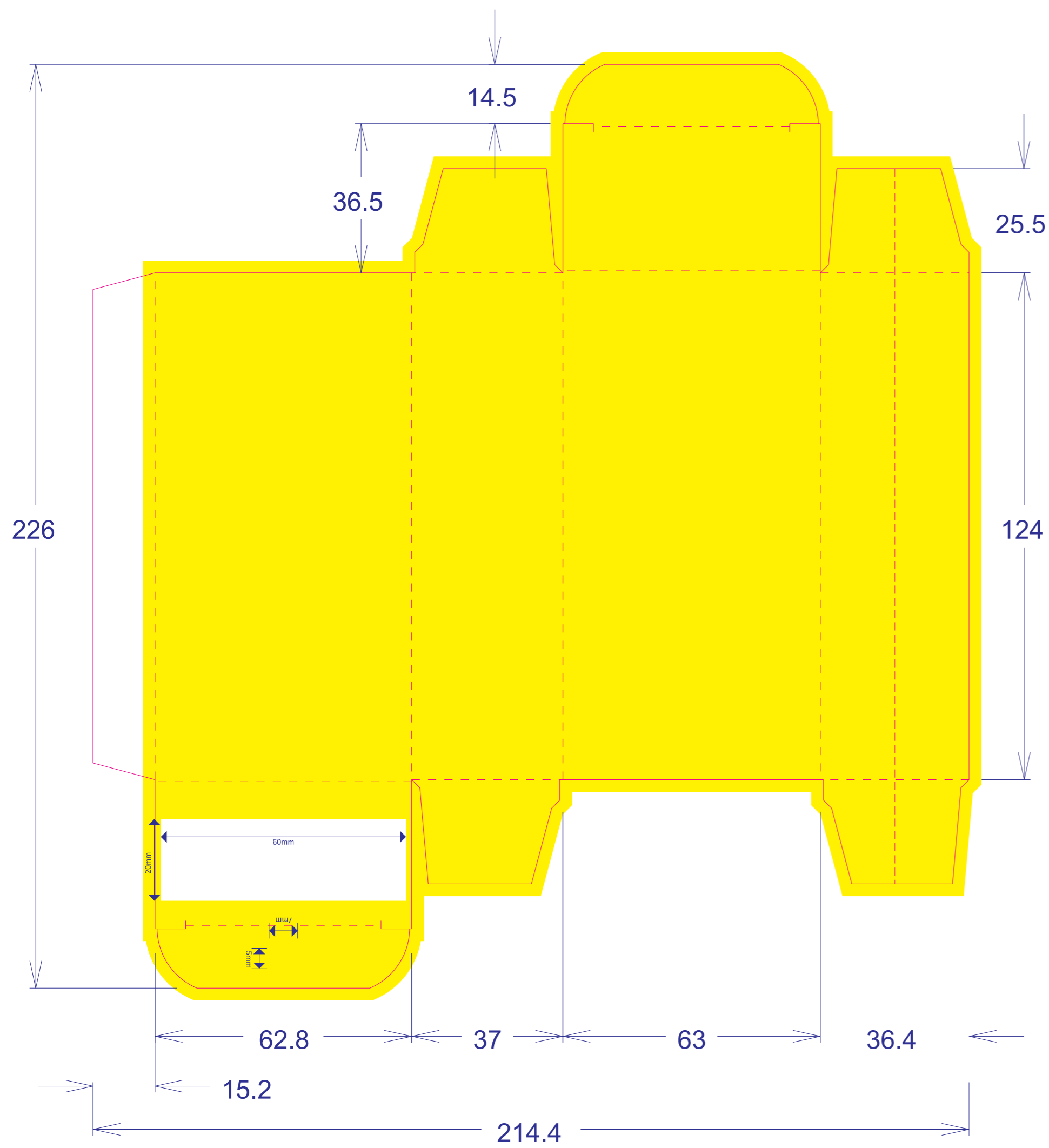
BARCODE INFO

Barcode Type:	EAN 13
Code Value:	5410036305553
Magnification:	85 %
Overall Height:	18.22 mm
Bar Height:	15.6 mm
BWR Applied:	0 Micrometre

BARCODE INFO

Barcode Type:	2D Code
Code Value:	50024213
Magnification:	N/A %
Overall Height:	5 mm
Bar Height:	N/A mm
BWR Applied:	0 Micrometre





RB Artwork and Print Specification

Trident Reference No: RB521203
 ZEN Ref: **TR2501825**
 Action: **E**
 Brand: Durex
 Category: Condoms
 Segment Group: Originals
 Segment: Condoms
 Pack Size: 10 Pack
 Market/Country: BNL
 Date: 15/07/2022

RBH Contact: Sabine Garime

Artwork Type: BW Commercial

Component Code (2D if applicable): **50024213**
 2nd Component Code (if applicable): **N/A**
 Parent Technical Packaging Specification: D8387284
 Finished Goods Code: **3118657**
 Supply Point: RB China (Shangna Factory)
 3rd Party Code: N/A
 Pharmacode No/NE: N/A
 Edgemark Position: N/A

CAD Cam Ref: Du-Ct-08387284-24x37mm - no embos-SHANGNA
 Printer: Qingdao Leijih-Mardon Packaging Ltd (Qingdao, China)
 Substrate: Carton Board - White

Technical & Non Printing Items
 ■ Dieline ■ Dieline 2 (if applicable)
 ■ Guides ■ Guides 2 (if applicable)

Colours

Carton

Process cyan	Process magenta	Yellow	Black
1	2	3	4
1	1	1	1

PANTONE Ink

Varnish Satin	Varnish Gloss	Emboss
5	6	7
1	1	1

Reverse Print

PANTONE 299 C	Varnish Sealer
1	2
1	1



Please note that any low resolution paper Canon colour copies associated with this job should be referred to for content, layout and colour separation only.

UNDER NO CIRCUMSTANCES SHOULD THIS ARTWORK BE ALTERED WITHOUT PRIOR PERMISSION FROM TRIDENT.

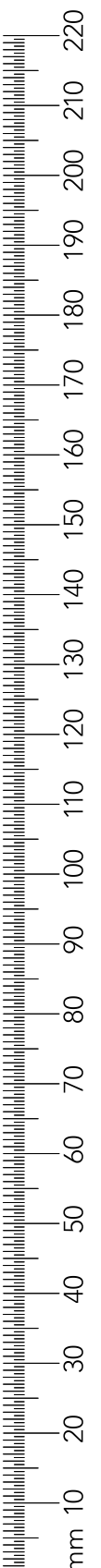
STUDIO USE ONLY Muthukumar Rajachithambaram v2.0

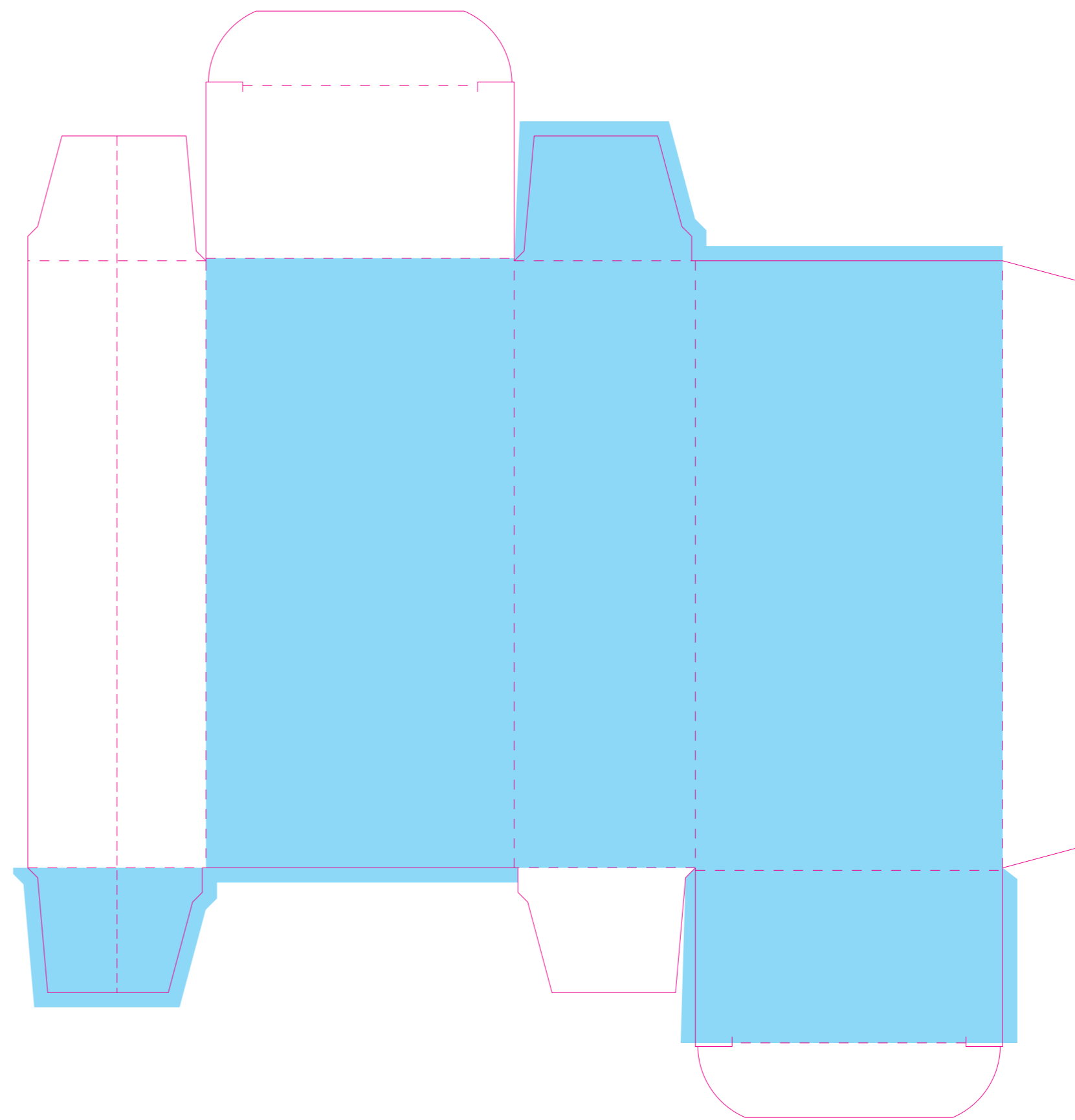
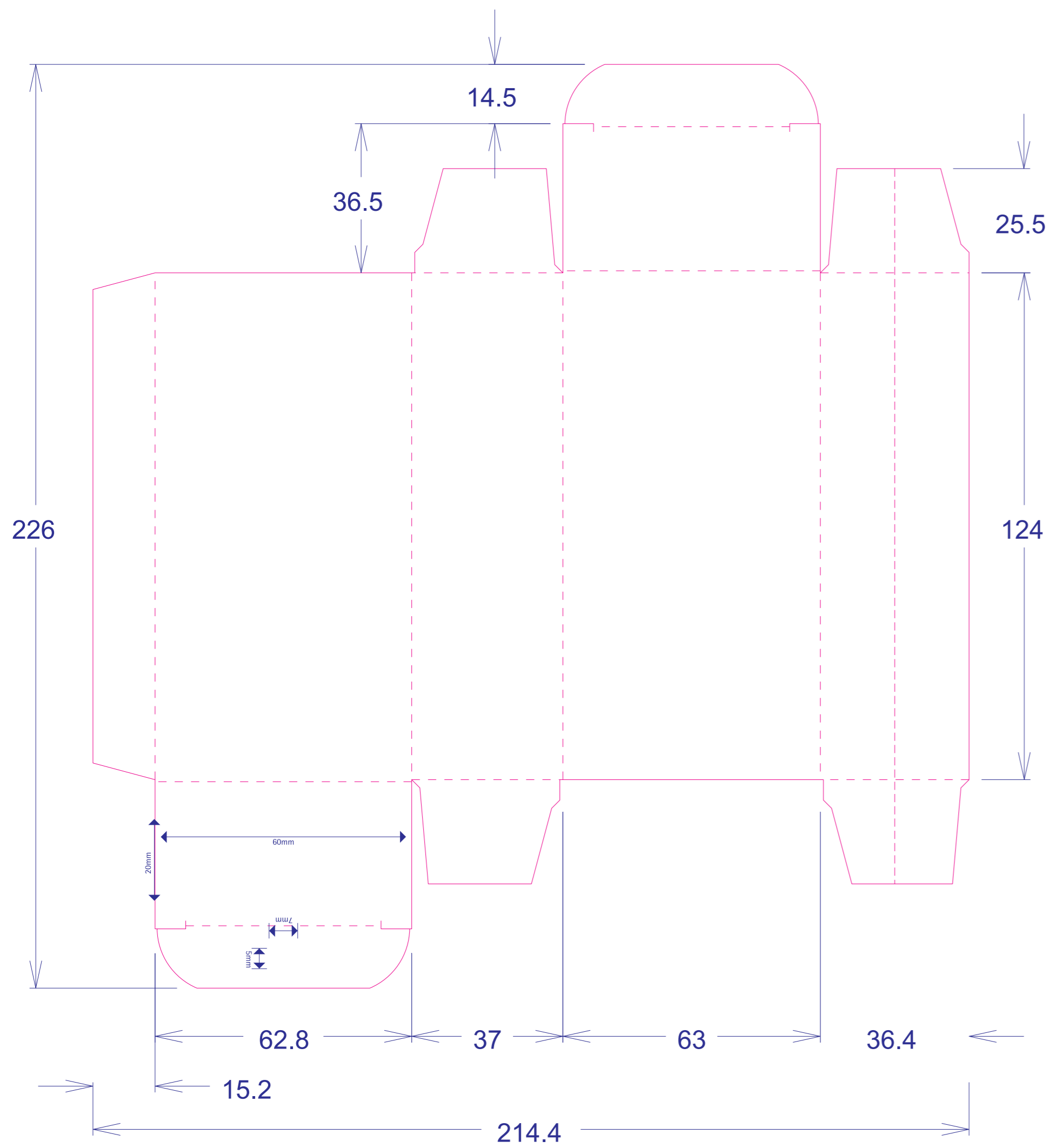
BARCODE INFO

Barcode Type:	EAN 13
Code Value:	5410036305553
Magnification:	85 %
Overall Height:	18.22 mm
Bar Height:	15.6 mm
BWR Applied:	0 Micrometre

BARCODE INFO

Barcode Type:	2D Code
Code Value:	50024213
Magnification:	N/A %
Overall Height:	5 mm
Bar Height:	N/A mm
BWR Applied:	0 Micrometre





RB Artwork and Print Specification

Trident Reference No: RB521203
 ZEN Ref: **TR2501825**
 Action: **E**
 Brand: Durex
 Category: Condoms
 Segment Group: Originals
 Segment: Condoms
 Pack Size: 10 Pack
 Market/Country: BNL
 Date: 15/07/2022

RBH Contact: Sabine Garime

Artwork Type: BW Commercial

Component Code (2D if applicable): **50024213**
 2nd Component Code (if applicable): **N/A**
 Parent Technical Packaging Specification: D8387284
 Finished Goods Code: **3118657**
 Supply Point: RB China (Shangna Factory)
 3rd Party Code: N/A
 Pharmacode No/NE: N/A
 Edgemark Position: N/A

CAD Cam Ref: Du-Ct-D8387284-24x37mm - no embos-SHANGNA
 Printer: Qingdao Leijih-Mardon Packaging Ltd (Qingdao, China)
 Substrate: Carton Board - White

Technical & Non Printing Items
 ■ Dieline ■ Dieline 2 (if applicable)
 ■ Guides ■ Guides 2 (if applicable)

Colours

Process cyan		Process magenta		Yellow		Black	
1	2	3	4	5	6	7	8
9	10	11	12	13	14	15	16

Reverse Print

PANTONE 299 C		PANTONE 299 C		Varnish_Sealer	
1	2	3	4	5	6
7	8	9	10	11	12



Please note that any low resolution paper Canon colour copies associated with this job should be referred to for content, layout and colour separation only.

UNDER NO CIRCUMSTANCES SHOULD THIS ARTWORK BE ALTERED WITHOUT PRIOR PERMISSION FROM TRIDENT.

STUDIO USE ONLY Muthukumar Rajachithambaram v2.0

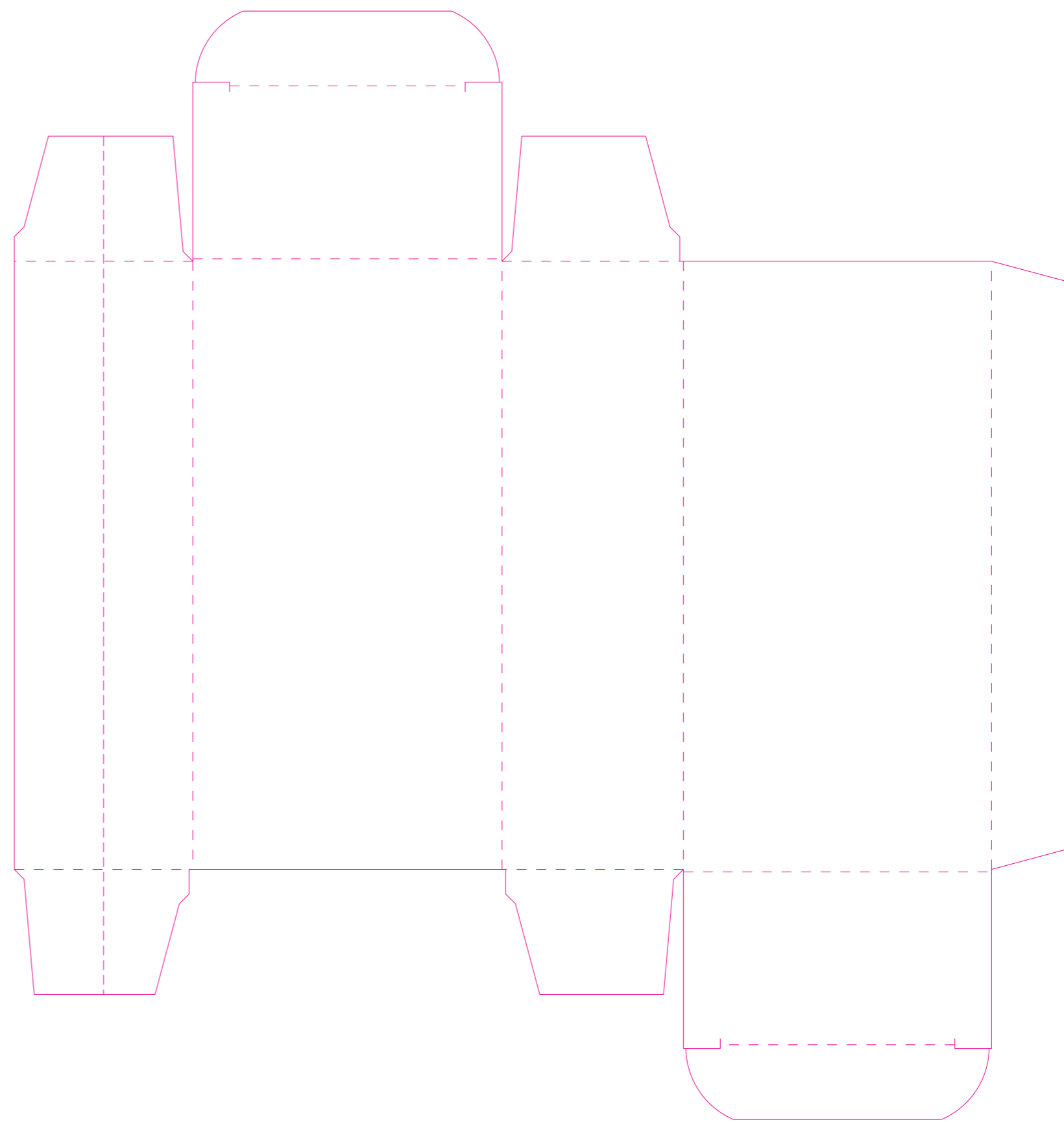
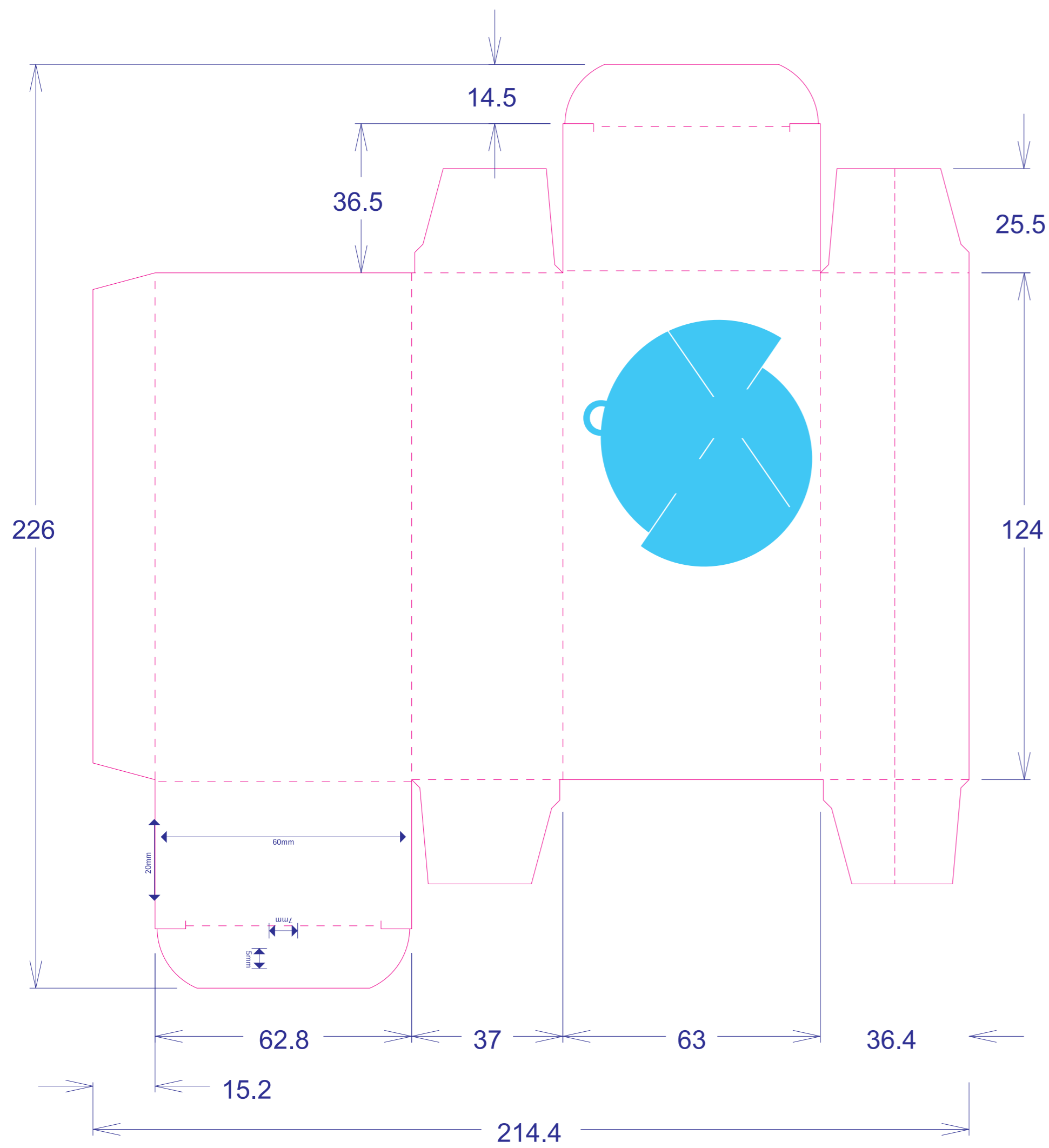
BARCODE INFO

Barcode Type:	EAN 13
Code Value:	5410036305553
Magnification:	85 %
Overall Height:	18.22 mm
Bar Height:	15.6 mm
BWR Applied:	0 Micrometre

BARCODE INFO

Barcode Type:	2D Code
Code Value:	50024213
Magnification:	N/A %
Overall Height:	5 mm
Bar Height:	N/A mm
BWR Applied:	0 Micrometre





RB Artwork and Print Specification

Trident Reference No: RB521203
 ZEN Ref: **TR2501825**
 Action: **E**
 Brand: Durex
 Category: Condoms
 Segment Group: Originals
 Segment: Condoms
 Pack Size: 10 Pack
 Market/Country: BNL
 Date: 15/07/2022

RBH Contact: Sabine Garime

Artwork Type: BW Commercial

Component Code (2D if applicable): **50024213**
 2nd Component Code (if applicable): **N/A**
 Parent Technical Packaging Specification: D8387284
 Finished Goods Code: **3118657**
 Supply Point: RB China (Shanghai Factory)
 3rd Party Code: N/A
 Pharmacode No/NE: N/A
 Edgemark Position: N/A

CAD Cam Ref: Du-Ct-08387284-24x37mm - no embos-SHANGHAI
 Printer: Qingdao Leijih-Mardon Packaging Ltd (Qingdao, China)
 Substrate: Carton Board - White

Technical & Non Printing Items

- Dieline (Pink)
- Guides (Blue)
- Dieline 2 (if applicable) (Purple)
- Guides 2 (if applicable) (Green)

Colours

Carton

Process cyan	Process magenta	Yellow	Black
1	2	3	4
1	2	3	4
PANTONE 298.5C	Varnish Satin	Varnish Gloss	Emboss
5	6	7	8
1	2	3	4
Reverse Print	PANTONE 299 C	Varnish_Sealer	
1	2	3	
1	2	3	



Please note that any low resolution paper Canon colour copies associated with this job should be referred to for content, layout and colour separation only.

UNDER NO CIRCUMSTANCES SHOULD THIS ARTWORK BE ALTERED WITHOUT PRIOR PERMISSION FROM TRIDENT.

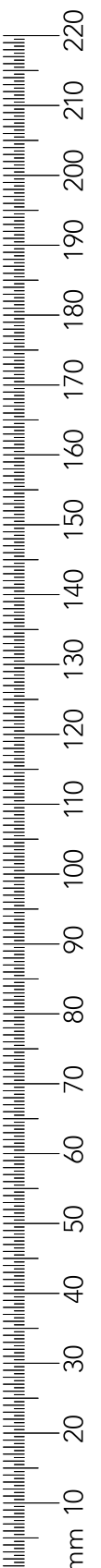
STUDIO USE ONLY Muthukumar Rajachithambaram v2.0

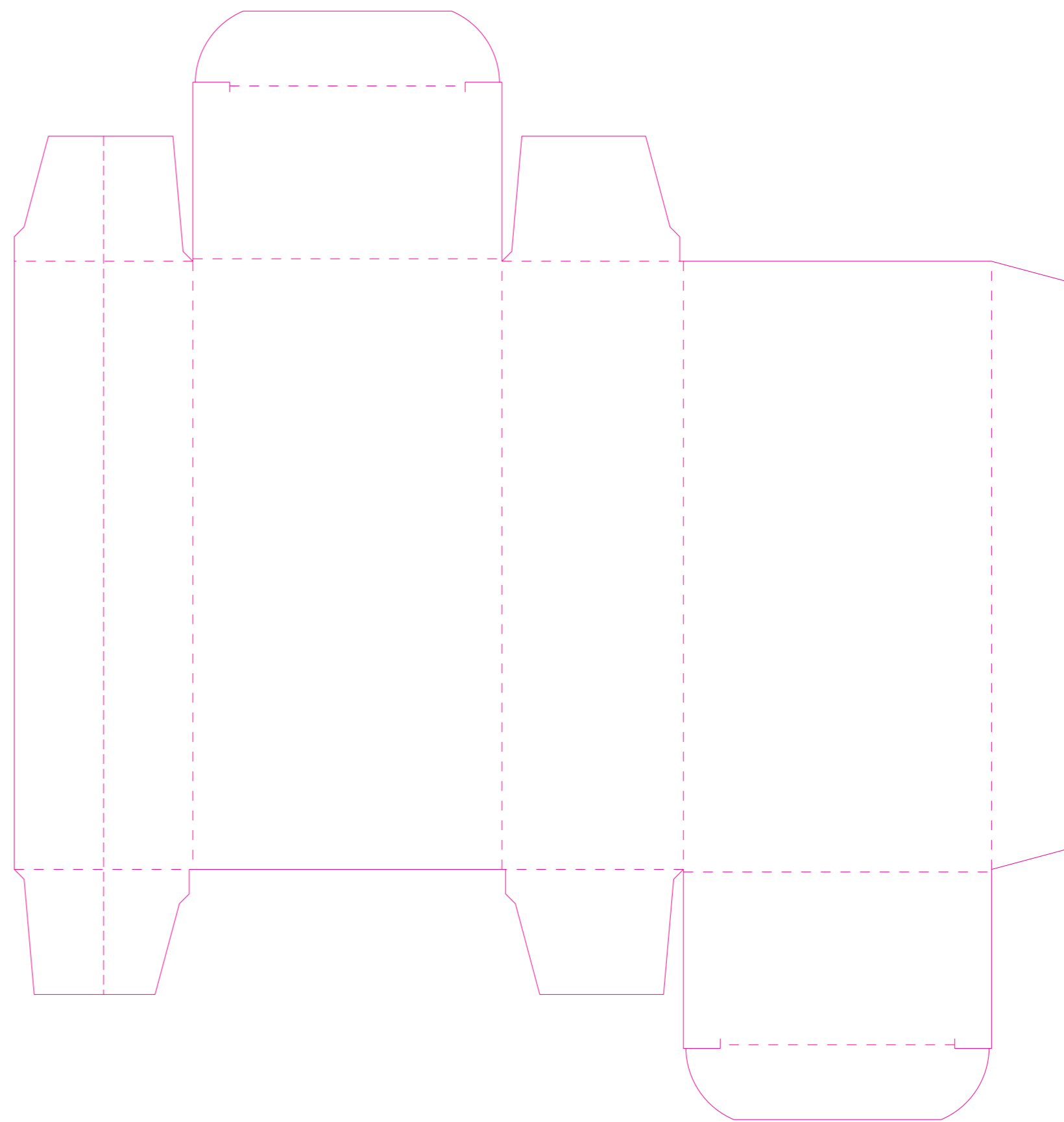
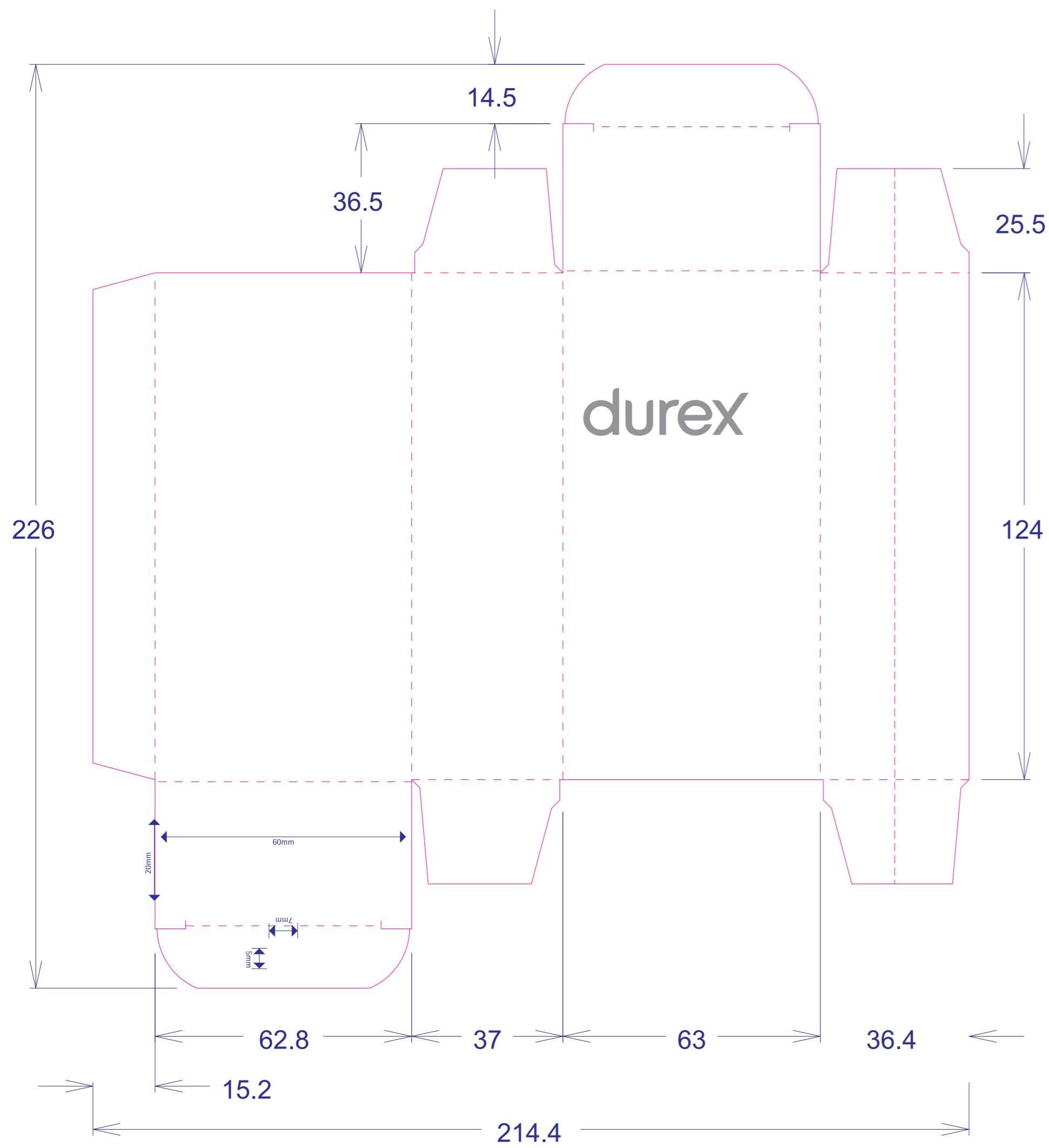
BARCODE INFO

Barcode Type:	EAN 13
Code Value:	5410036305553
Magnification:	85 %
Overall Height:	18.22 mm
Bar Height:	15.6 mm
BWR Applied:	0 Micrometre

BARCODE INFO

Barcode Type:	2D Code
Code Value:	50024213
Magnification:	N/A %
Overall Height:	5 mm
Bar Height:	N/A mm
BWR Applied:	0 Micrometre





RB Artwork and Print Specification

Trident Reference No: RB521203
 ZEN Ref: **TR2501825**
 Action: **E**
 Brand: Durex
 Category: Condoms
 Segment Group: Originals
 Segment: Condoms
 Pack Size: 10 Pack
 Market/Country: BNL
 Date: 15/07/2022

RBH Contact: Sabine Garime

Artwork Type: BW Commercial

Component Code (2D if applicable): **50024213**
 2nd Component Code (if applicable): **N/A**
 Parent Technical Packaging Specification: D8387284
 Finished Goods Code: **3118657**
 Supply Point: RB China (Shangna Factory)
 3rd Party Code: N/A
 Pharmacode No/NE: N/A
 Edgemark Position: N/A

CAD Cam Ref: Du-Ct-08387284-24x37mm - no embos-SHANGNA
 Printer: Qingdao Leijih-Mardon Packaging Ltd (Qingdao, China)
 Substrate: Carton Board - White

Technical & Non Printing Items
 ■ Dieline ■ Dieline 2 (if applicable)
 ■ Guides ■ Guides 2 (if applicable)

Colours
 Carton

Process cyan	Process magenta	Yellow	Black
1	2	3	4
1	2	3	4
PANTONE 299 C	Varnish Satin	Varnish Gloss	Emboss
5	6	7	8
1	2	3	4
Reverse Print	PANTONE 299 C	Varnish Sealer	
1	2	3	
1	2	3	



Please note that any low resolution paper Canon colour copies associated with this job should be referred to for content, layout and colour separation only.

UNDER NO CIRCUMSTANCES SHOULD THIS ARTWORK BE ALTERED WITHOUT PRIOR PERMISSION FROM TRIDENT.

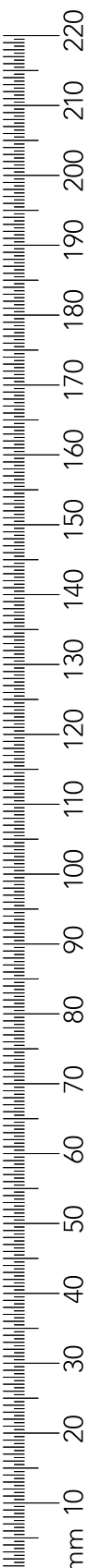
STUDIO USE ONLY Muthukumar Rajachithambaram v2.0

BARCODE INFO

Barcode Type:	EAN 13
Code Value:	5410036305553
Magnification:	85 %
Overall Height:	18.22 mm
Bar Height:	15.6 mm
BWR Applied:	0 Micrometre

BARCODE INFO

Barcode Type:	2D Code
Code Value:	50024213
Magnification:	N/A %
Overall Height:	5 mm
Bar Height:	N/A mm
BWR Applied:	0 Micrometre



Production line		
Manufacturing site		
Pack Tech approver	1 st 2 nd	
Date		
Check Criteria	Details & Comments	Checks
Approvals		1 st 2 nd
Market Approval		
Regulatory Approval		
3rd Party Approval		
Technical Drawing/ Cutter ref no. & PPI component code		
PPI component code number/s correct on artwork?		
PPI component code number/s in correct position on artwork?		
Correct drawing for the production line?		
Profile shape & dimensions		
Graphics layout/orientation		
Unwind diagram (PPTD1022/1-20)		
Printable areas/bleed		
Varnish free areas		
Variable coding position & dimensions		
Varnish and print requirements		
Pre-printed headers (alignment and suitability)		
Embossing, Braille & Foil Blocking		
Separations on artwork		
Alignment within cutter		
Braille structure		
Verification Code Type; Pharma Code / 2D / OCV		
Bar sequence and/or number correct on artwork		
Bar sequence and/or number in correct position on artwork?		
Size (height, width, spacing, font)		
Direction of read		
Light margins and print free areas		
Colour		
Repeat distance (reeled material)		
Cross check related docs ie BOM		
Bar code Type; EAN, ITF, Code39, etc		
Magnification / width and height		
Colour (e.g. black print on white background)		
Light margins & indicators		
Bearer bars & H gauges (if required)		
Symbol grade (Pass = A,B,C; Action = D,F)		
Bar code number (human readable)		
Bar code number (encoded & hidden data)		
Confirm bar code number from source		
Cross check related docs (JDE/PID)		
Photo-electric cell mark / edge marks		
Present & per Tech drawing?		
Correct pitch?		
Additional markings		
e-mark, recycle logo etc		
Legend box (RB specification)		
Correct component code		
Correct D spec / has cutter changed?		
Correct printer / has printer changed?		
Correct Substrate		
A/W is set up appropriately for this substrate		
Edge mark details		
Pharmacode details		
Colours & print process		
Varnish		
Barcode information		
General details are correct		
Pass / Fail comments and Signature		
By approving the artwork referenced within this form I authorise it for release to the print supplier		
Additional Comments		

RB Artwork and Print Specification

Trident Reference No: RBS21203
 ZEN Ref: **TR2501825**
 Action: **E**
 Brand: Durex
 Category: Condoms
 Segment Group: Originals
 Segment: Condoms
 Pack Size: 10 Pack
 Market/Country: BNL
 Date: 15/07/2022

RBH Contact: Sabine Garime

Artwork Type: BW Commercial

Component Code (2D if applicable): **50024213**
 2nd Component Code (if applicable): **N/A**
 Parent Technical Packaging Specification: D8387284
 Finished Goods Code: **3118657**
 Supply Point: RB China (Shangma Factory)
 3rd Party Code: N/A
 Pharmacode No/NE: N/A
 Edgemark Position: N/A

CAD Cam Ref: Durex-D8387284-124x337mm - no emboss-SHANGMA
 Printer: Qingdao Leijin-Mardon Packagng Ltd (Qingdao, China)
 Substrate: Carton Board - White

Technical & Non Printing Items
 Dieline Dieline 2 (if applicable)
 Guides Guides 2 (if applicable)

Colours
Carton

Process cyan	Process magenta	Yellow	Black
1	2	3	4
5	6	7	8
PANTONE Reflex Blue C	Varnish Satin	Varnish Gloss	Emboss
9	10	11	12
Reverse Print	PANTONE 299 C	Varnish Sealer	
13	14	15	



Please note that any low resolution paper Canon colour copies associated with this job should be referred to for content, layout and colour separation only.

UNDER NO CIRCUMSTANCES SHOULD THIS ARTWORK BE ALTERED WITHOUT PRIOR PERMISSION FROM TRIDENT.

