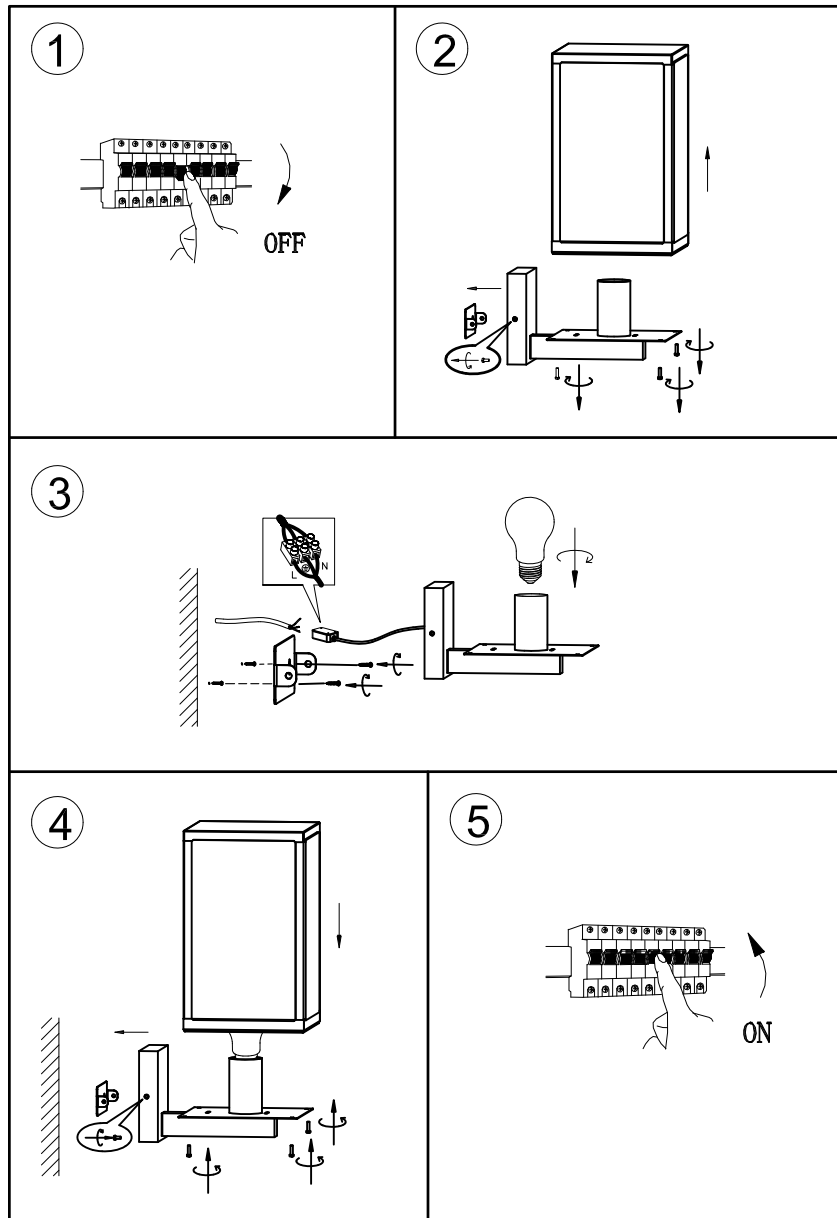
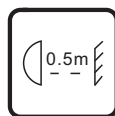


# Instruction Manual

## DMQ Boston Outdoor Latern Q13528



220~240V  
50Hz



View this product and manual online  
by scanning this QR code

# DMQ