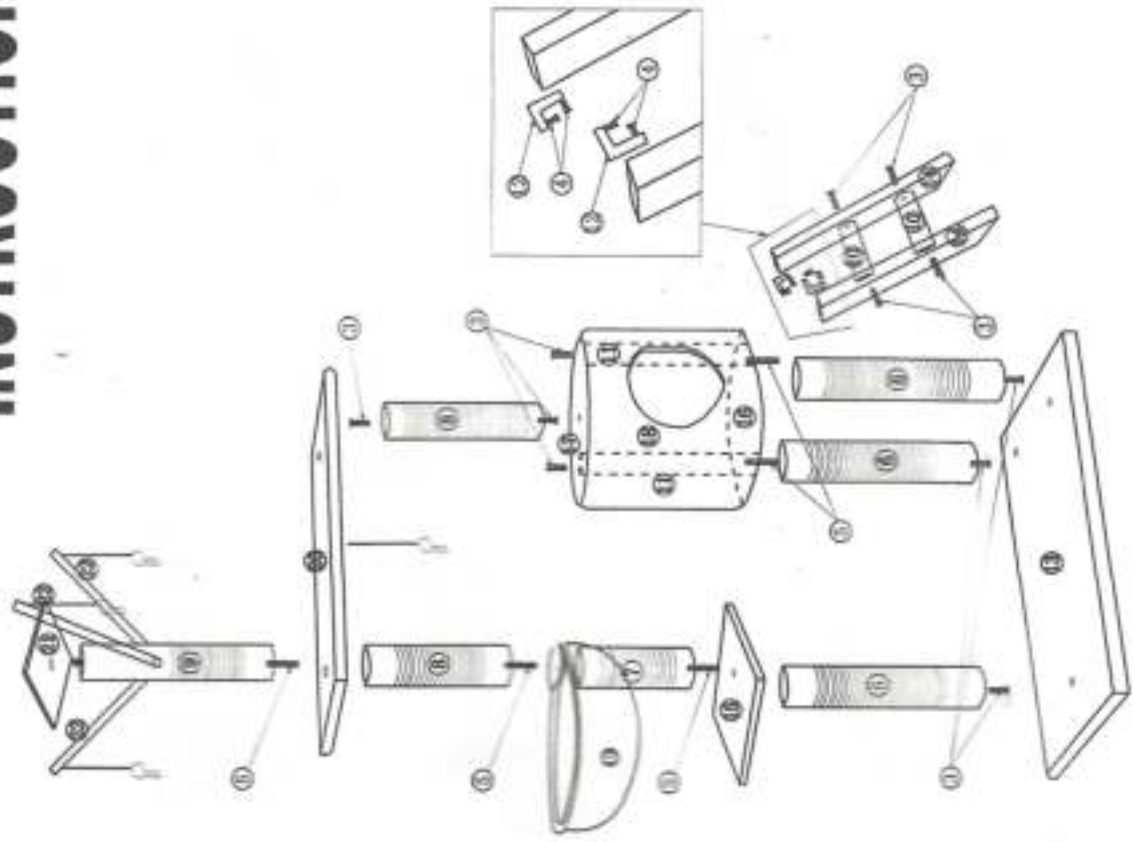


Saar Beige

# INSTRUCTION MANUAL



Part		Piece	Size	pos.13		1x	50x35cm
pos.2		1x	S.5	pos.14		2x	50x6cm
pos.3		11x	M8x35	pos.15		1x	29x29cm
pos.4		4x	M6x16	pos.16		1x	30x30cm
pos.5		5x	M8x60	pos.17		1x	30x30cm
pos.6		3x	5.35x43cm	pos.18		1x	30x28cm
pos.7		1x	5.35x25cm	pos.19		1x	30x30cm
pos.8		2x	5.35x30cm	pos.20		1x	45x29cm
pos.9		1x	5.35x30cm	pos.21		1x	20x20cm
pos.10		2x	2.5x18cm	pos.22		3x	
pos.11		2x	2.5x27cm				
pos.12		2x					