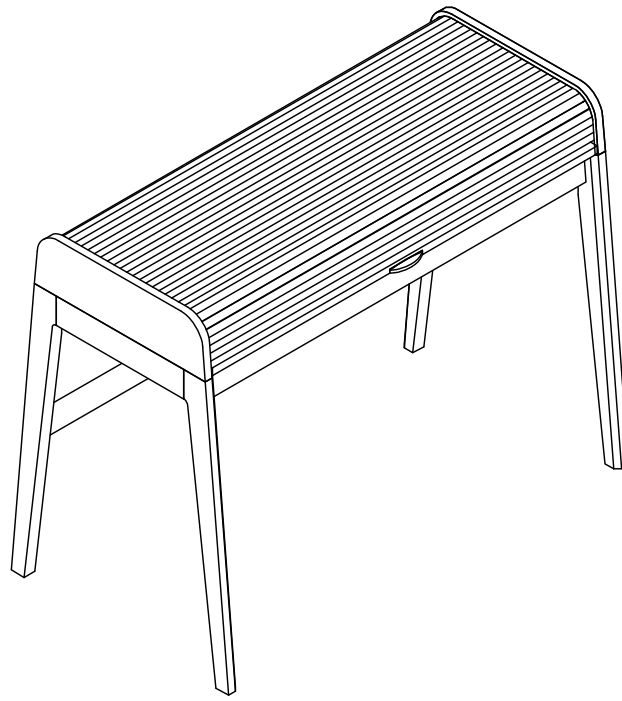


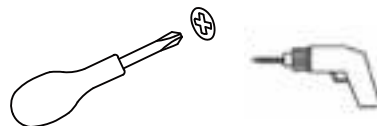
Thank you for purchasing this desk table barber. Please read the instructions carefully before use to ensure safe and satisfactory operation of this product.



Pre-assembly preparation

Please ensure instructions are read in full before attempting to assemble this product

Necessary tools



Please check the pack contents before attempting to assemble this product. A full checklist of components is given in this leaflet. If any components are missing, please contact the retailer from whom you bought this product.

This product is **HEAVY**, it should be assembled as near as possible to the point of use. **TAKE CARE WHEN LIFTING** to avoid personal injury and (or) damage to the product.

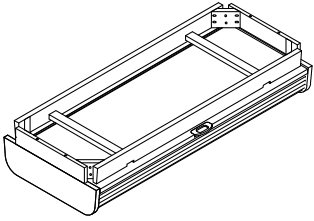

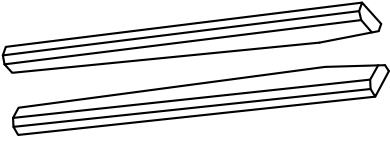
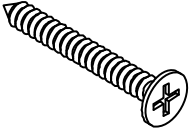
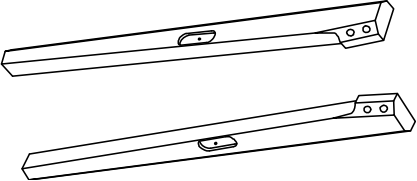



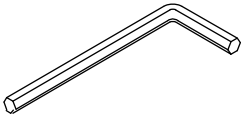
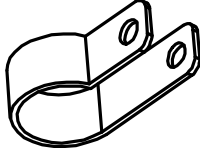
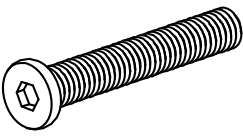


This product takes approximately **30 MINUTES** to assemble with **2 PEOPLE**.

The fittings pack contains **SMALL ITEMS** which should be **KEPT AWAY FROM YOUNG CHILDREN**.

Read this leaflet in full before commencing assembly.

PLEASE KEEP THESE INSTRUCTIONS FOR FUTURE REFERENCE

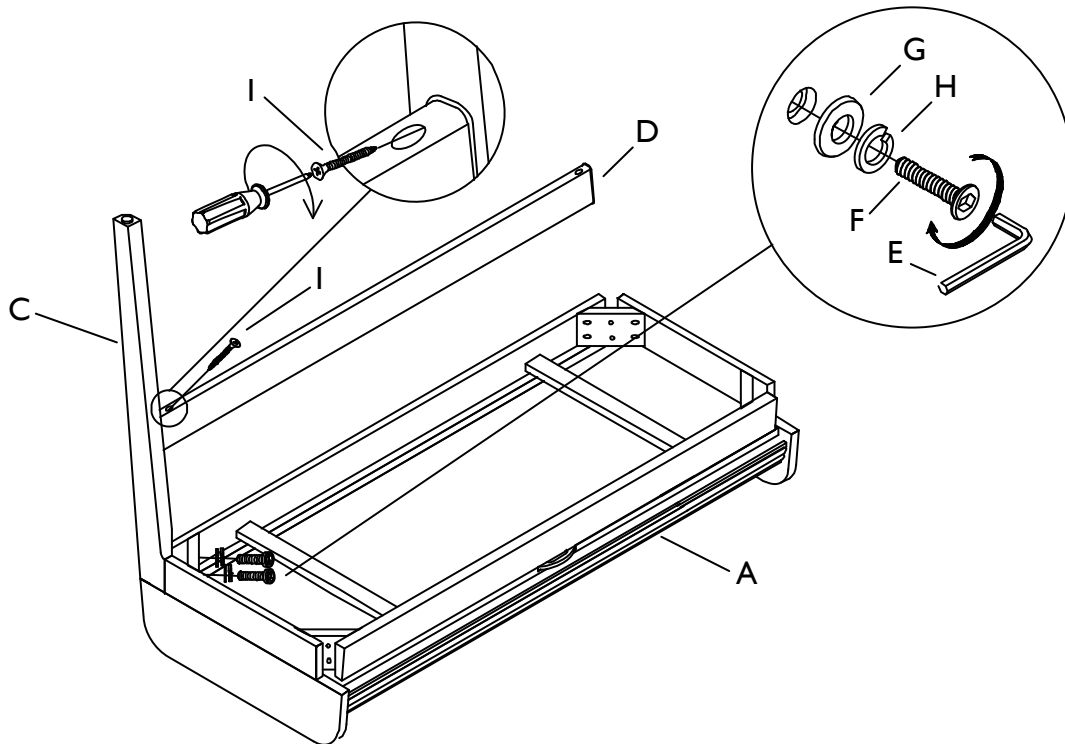
Fittings and parts checklist

A	Cabinet x 1		H	Spring washer x 8	
B	Front legs x 2		I	Long screws x 2	
C	Back legs x 2		J	Short screws x 1	
D	Back rail x 1		K	Small washer x 2	
E	Allen key x 1		L	Plastic loop bracket x 2	
F	Allen bolt x 8		M	Cable tie x 1	
G	Large Washer x 8				

Step by step assembly instructions

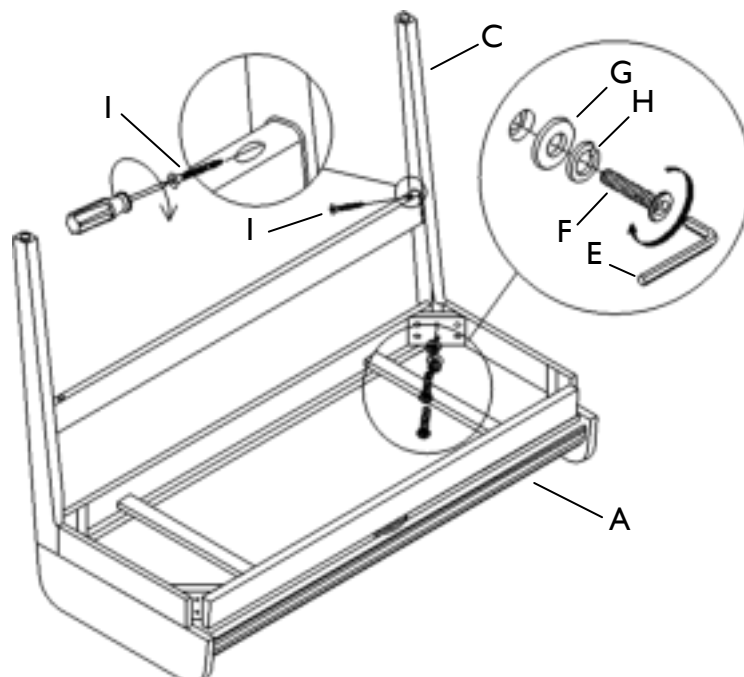
Step One

With 2 people, carefully place the desk (part A) upside down on a soft, flat surface near where the unit will be used. Locate the back leg (part C) and secure with the allen bolts (part F) spring washers (part H) and large washers (part G) as shown below. Tighten fully using the allen key (part E). Locate the back rail (part D) and secure with the long screw (part I) using a crosshead screwdriver (not included) as shown below.



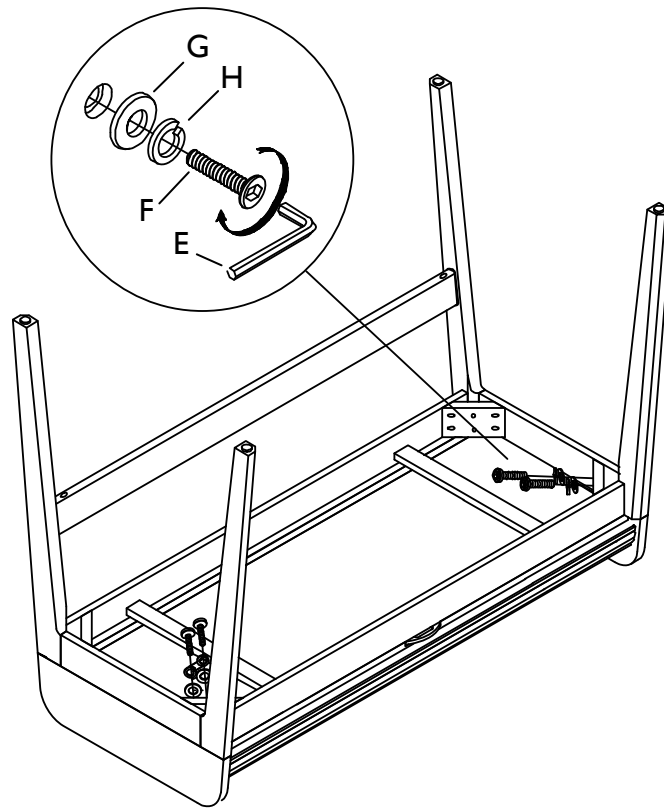
Step Two

Locate the back leg (part C) and secure with the allen bolts (part F) spring washers (part H) and large washers (part G) as shown below. Tighten fully using the allen key (part E).



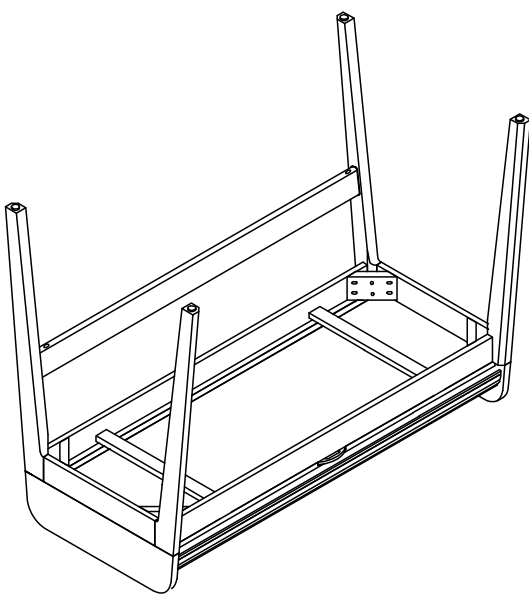
Step Three

Locate front leg (part B) and secure with the allen bolts (part F) spring washer (part H) and large washer (part G) as shown below. Tighten fully using the allen key (part E).

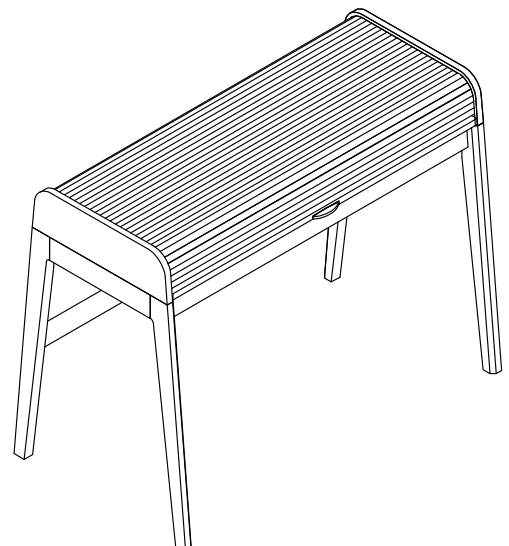


Step Four

With 2 people, carefully turn the desk over and place in position.



CAUTION!
Please take care when lifting, this unit is very heavy! Do not drag the unit when moving, must be lifted to prevent damaging the legs!



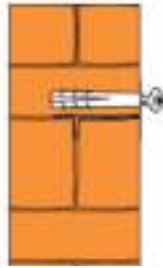
Wall fixing - if in doubt seek professional advice

Please ensure to use the correct size rawl plug when installing the plastic loop bracket to a wall. If your wall is cavity construction or wood you may need to seek appropriate wall fixings.



Wood

If fixing to wood make sure that it isn't chipboard as screws can easily pull away from the core structure



Brick or Masonry

Use an appropriate wall plug provided you are sure your wall is sound

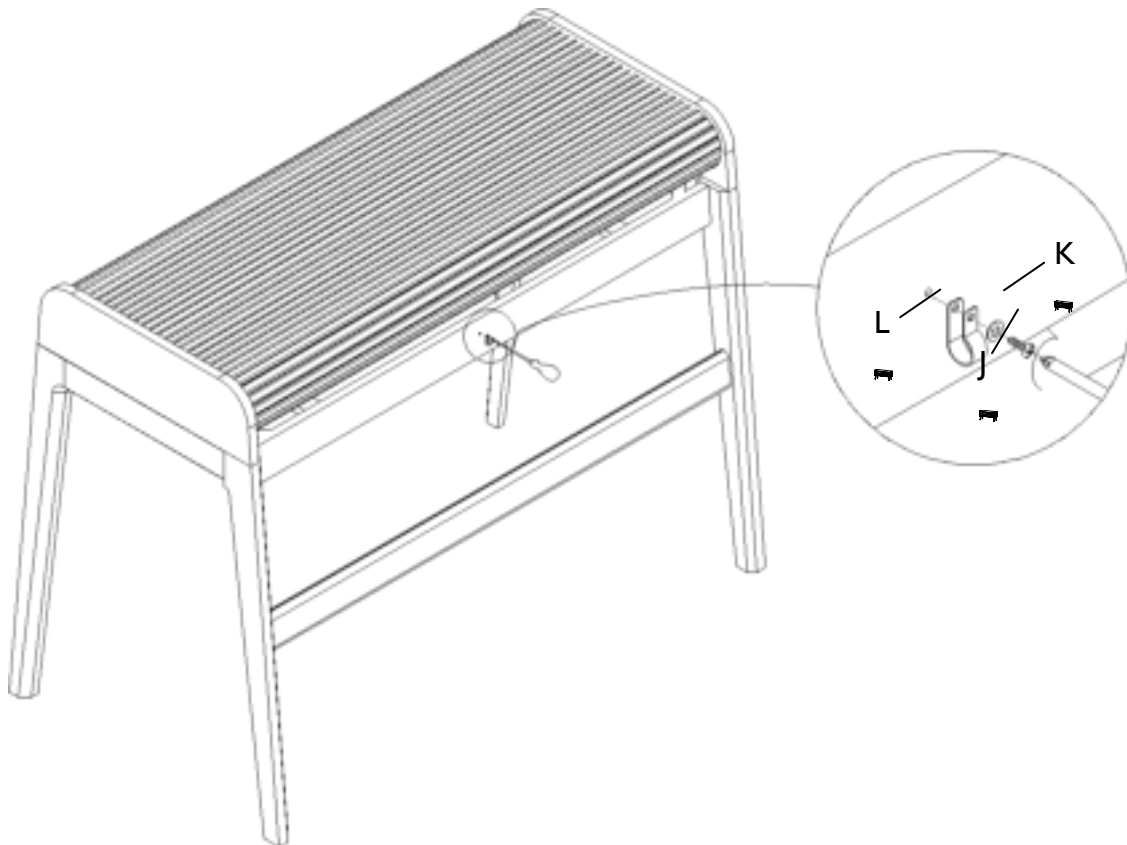


Cavity wall

Special toggle wall plugs are needed. Seek expert advice

Step Five

With a screwdriver secure the plastic loop bracket (part L) to the back of the desk using the washer (part K) and screw (part J).

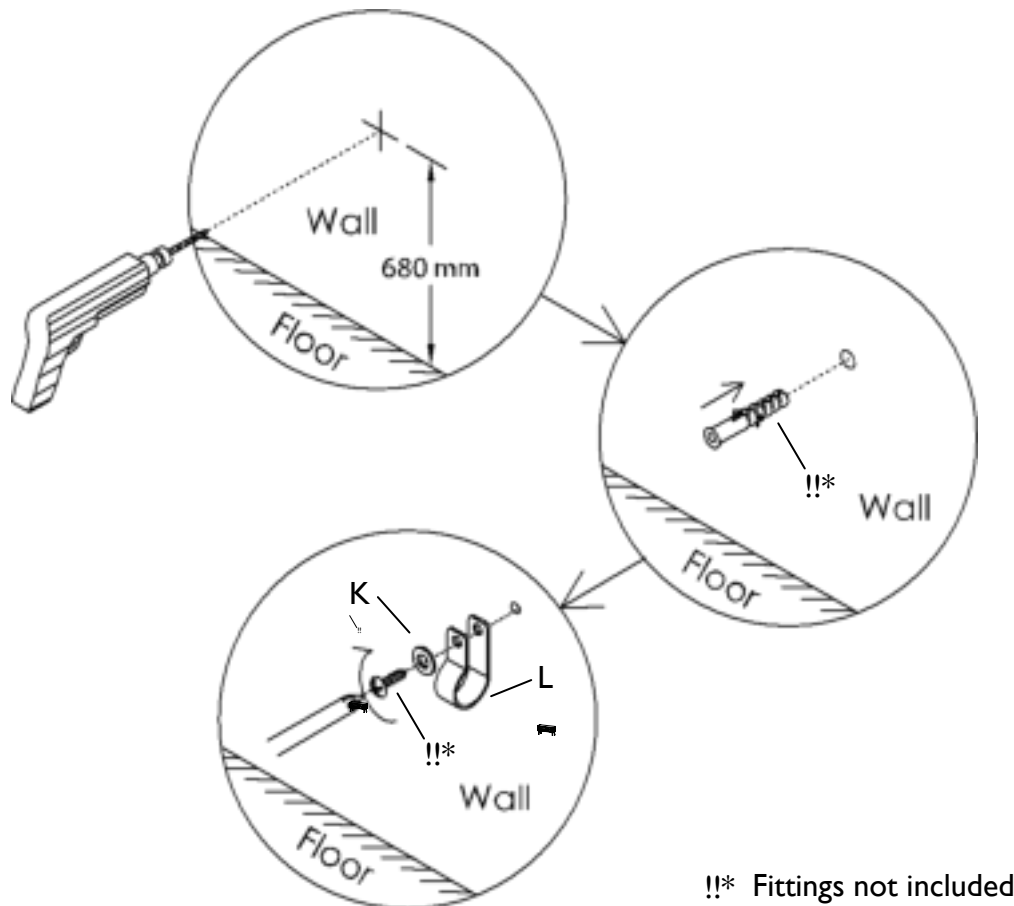


Step Six

Before drilling, ensure the size of hole will be correct to fit your wall fixing (not included).

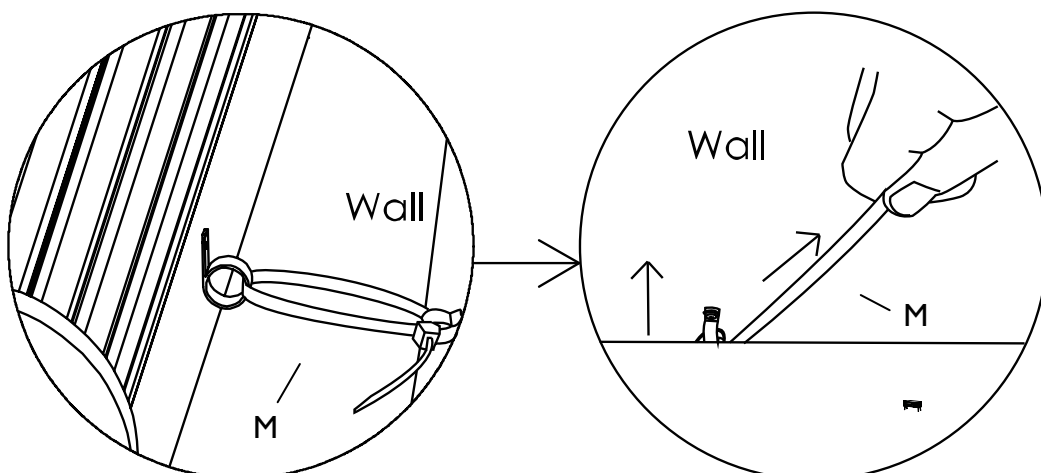
Warning: Ensure the area to be drilled is free from hidden electrical wires, water and gas pipes.

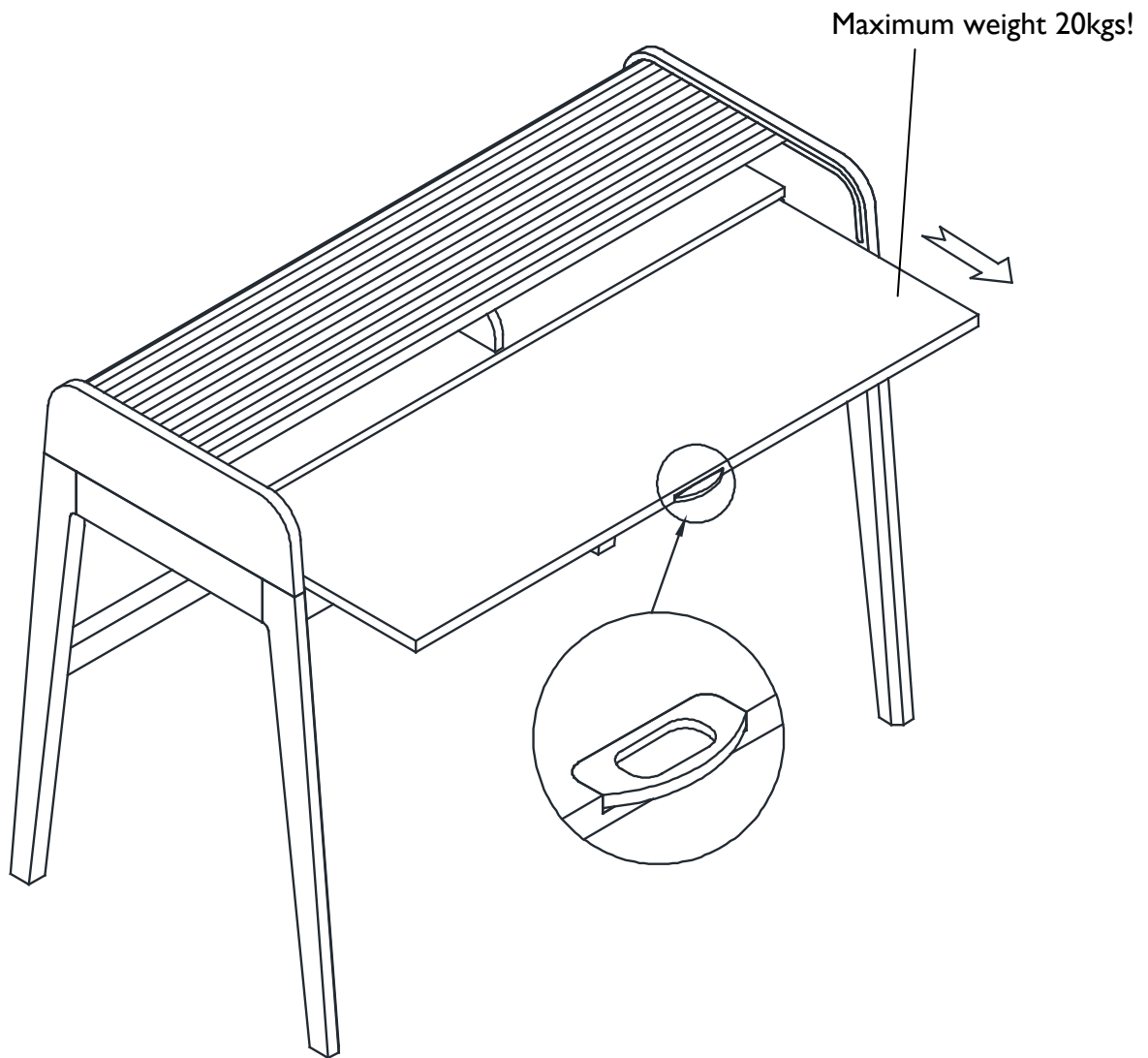
Mark the hole position shown below and drill using a masonry bit. Push the wall fixing into position. With a screwdriver secure the plastic loop bracket (part L) to the wall using the washer (part G) and screw (not included).



Step Seven

Locate the cable tie (part M) as shown below. Push the desk back towards the wall and into position. Pull the cable tie (part M) tight.





PLEASE READ!

This veneered desk has a natural open grain finish. Please read the care guide thoroughly. We recommend using mats and wiping up spilled liquids. Avoid placing plant pots or vases without waterproof mats to prolong the life of this product.

Care and Maintenance

Wood furniture

- Wood displays different grain patterns depending on which way they cut - for example, the 'medullary ray' which can appear as a mark of good quality timber - these are just characteristics of the natural beauty of the wood. Some furniture is also deliberately aged and rustic.
- Wood veneers also allow distinctive patterns to be created on flat surfaces, such as table tops and drawer fronts by the way the slivers are arranged.
- All timber surfaces will change colour and mellow over time. New furniture will initially vary in shade from items that have been previously purchased.

How to care for your wood furniture

- Furniture with a hard lacquer, wax polish or painted surface should be dusted with a dry cloth.
- Spray polishes are best avoided as they contain silicones which may spoil the furniture's surface by building up over time.
- Make sure all surfaces are protected from heat and liquids by mats and coasters. Wipe up spills immediately and ensure that a mat or pad is placed under paper if you are writing.
- Our furniture will endure most temperatures in the home but it is best to avoid placing furniture next to heat sources such as radiators or fires. Be particularly careful with solid wood as the lack of humidity caused by central heating can cause damage such as warping.

Safety instructions

- Never drag furniture when moving it, always lift it.
- Periodically check all fixings to ensure none have come loose and re-tighten where necessary.
- Please take care when handling or moving the furniture, careless handling may cause damage or injury.
- Furniture can be dangerous if incorrectly installed. Assembly should be carried out by a competent person. No liability will be accepted for damage or injury caused by incorrectly installed or assembled furniture.
- It is recommended that before moving heavy objects to a new location they are completely dis-assembled to avoid personal injury or damage to the furniture. Please be careful to retain all fittings when doing this.