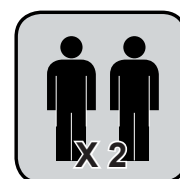
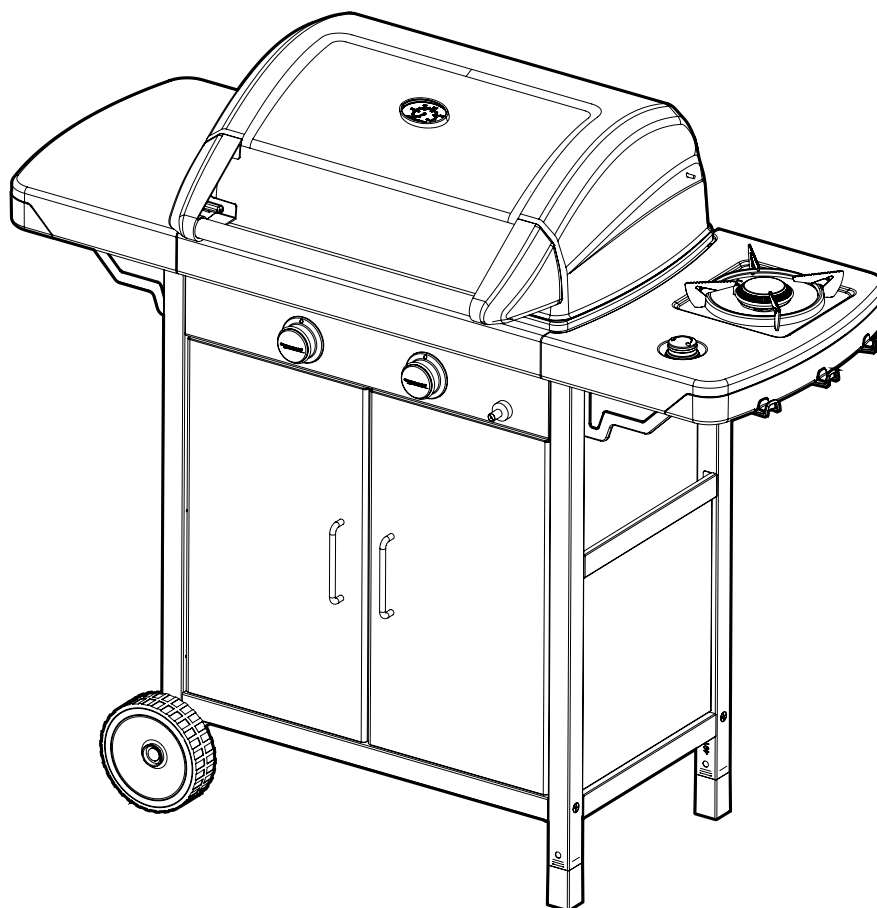


2 Series Classic EXS • 2 Series Classic EXS Vario



FR Instructions de montage

GB Assembly instructions

DE Montageanleitung

NL Montage-instructies

IT Istruzioni per il montaggio

ES Instrucciones de montaje

PT Instruções de montagem

NO Monteringsinstrukser

DK Monteringsvejledning

SE Monteringsanvisningar

FI Kokoamisohjeet

PL Instrukcja montażu

CZ Návod k montáži

SI Navodila za montažo

SK Návod na montáž

HU Összeszerelési utasítás

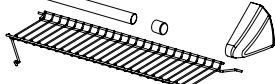
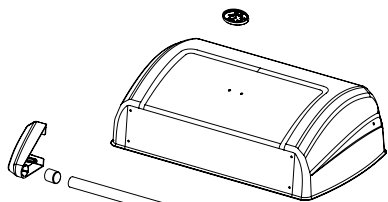
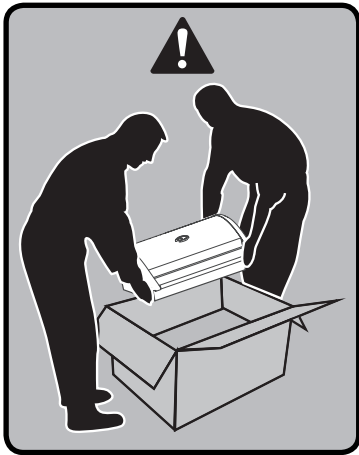
HR Upute za montiranje

RO Instrucțiuni de montaj

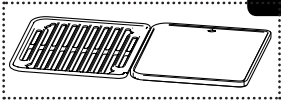
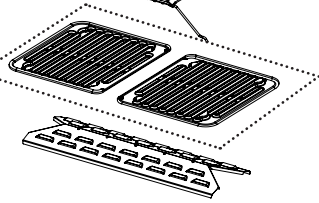
BG Указания за монтаж

TR Montaj

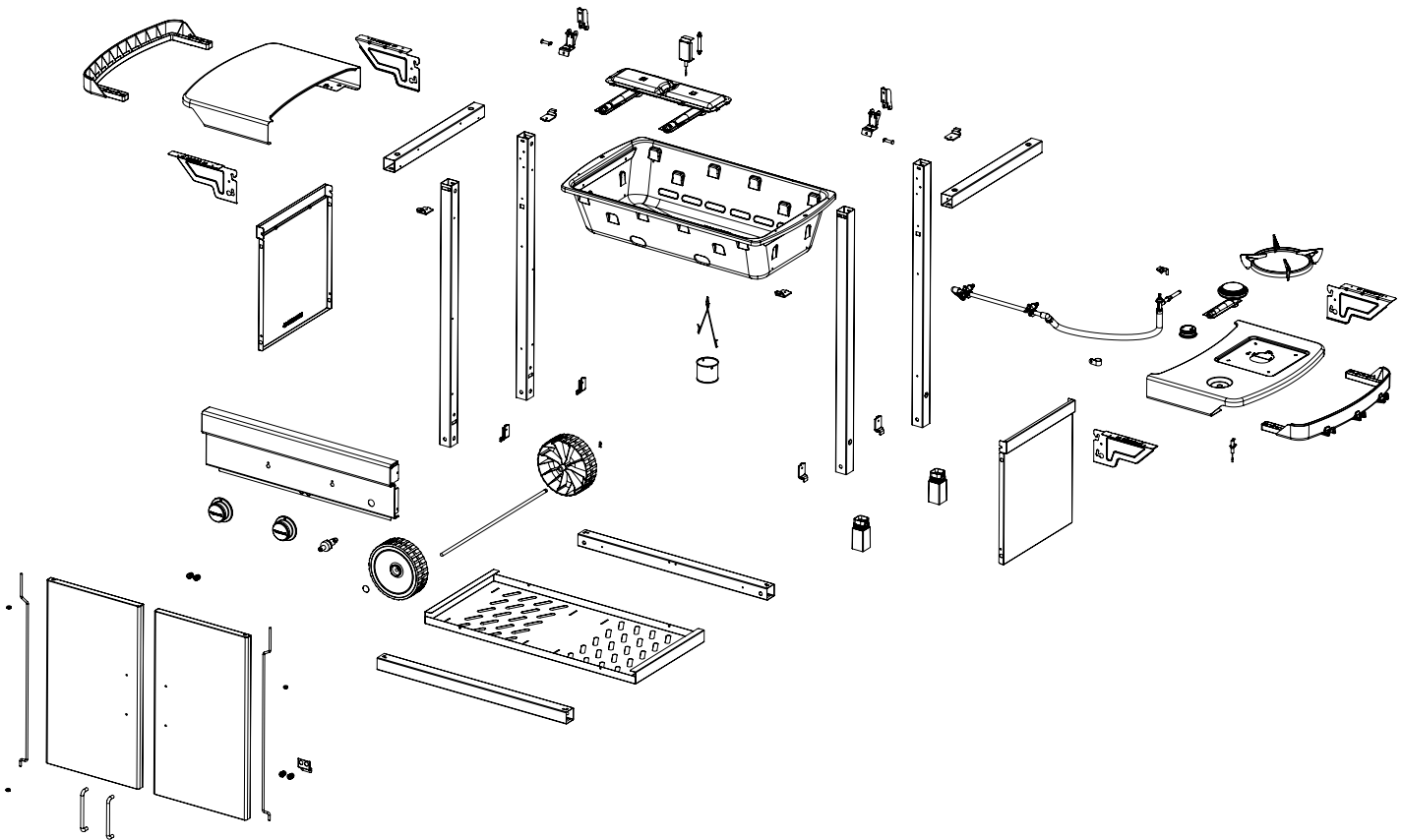
GR Οδηγίες συναρμολόγησης

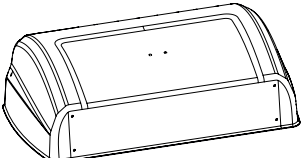
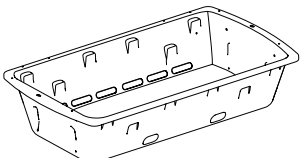
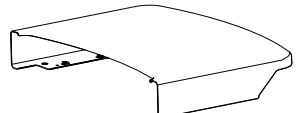
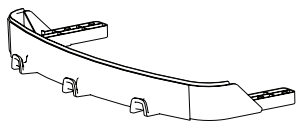
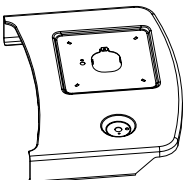
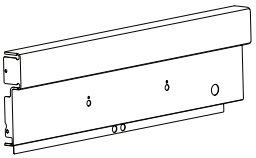
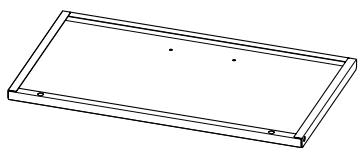
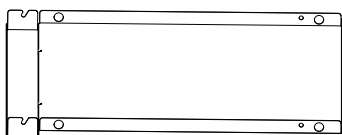
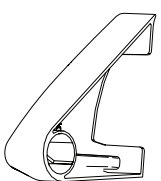


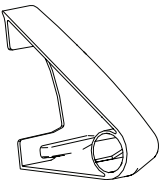
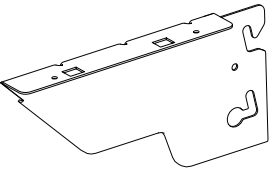
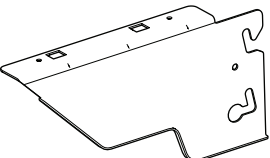
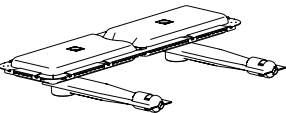
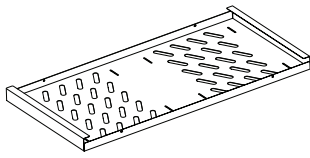
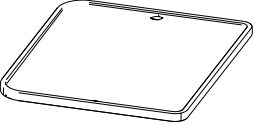

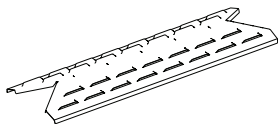
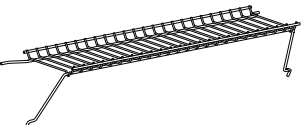
2 Classic EXS

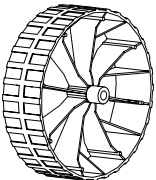
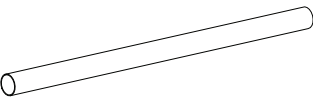

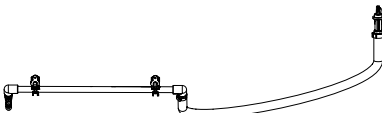
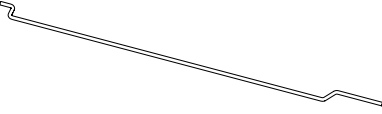
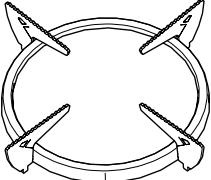


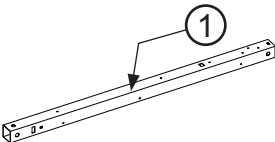
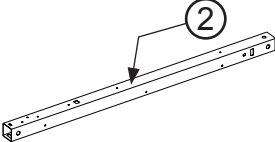
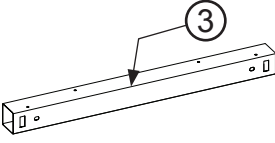
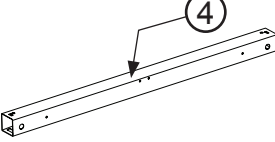
2 Classic EXS Vario


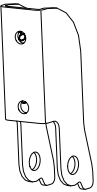
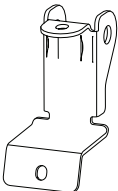
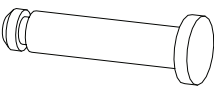


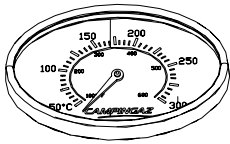
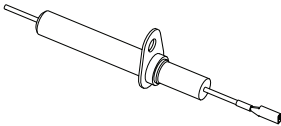
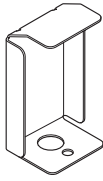
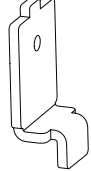
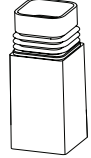

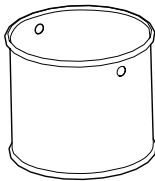
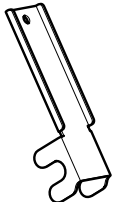
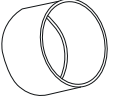
2 Classic EXS	2 Classic EXS Vario	
1	1	
1	1	
1	1	
2	2	
1	1	
1	1	
2	2	
2	2	
1	1	

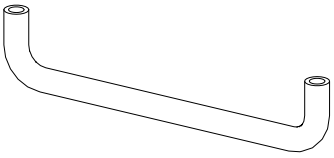
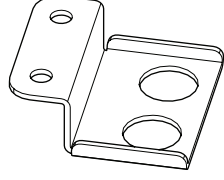
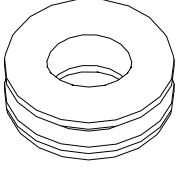

2 Classic EXS	2 Classic EXS Vario	
1	1	
2	2	
2	2	
1	1	
1	1	
0	1	
2	1	
1	1	
1	1	

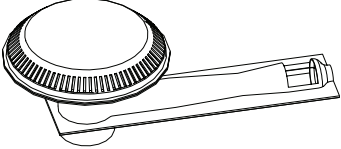
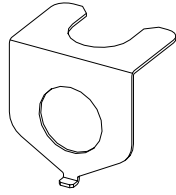
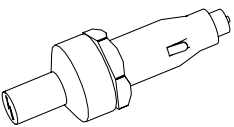
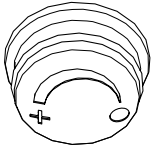
2 Classic EXS	2 Classic EXS Vario	
2	2	
1	1	
1	1	
1	1	
2	2	
1	1	

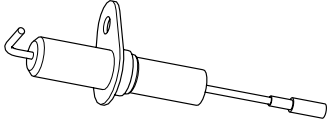
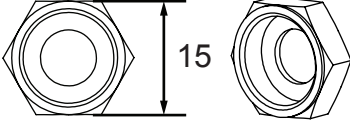

2 Classic EXS	2 Classic EXS Vario	
2	2	
2	2	
2	2	
2	2	



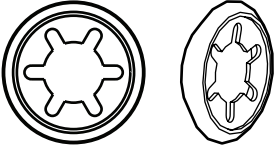
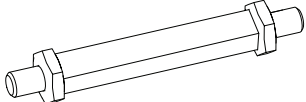
2 Classic EXS	2 Classic EXS Vario	
2	2	
2	2	
2	2	
2	2	


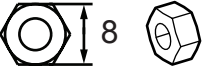



2 Classic EXS	2 Classic EXS Vario	A
1	1	
1	1	
1	1	
8	8	
2	2	
1	1	
1	1	
1	1	
2	2	

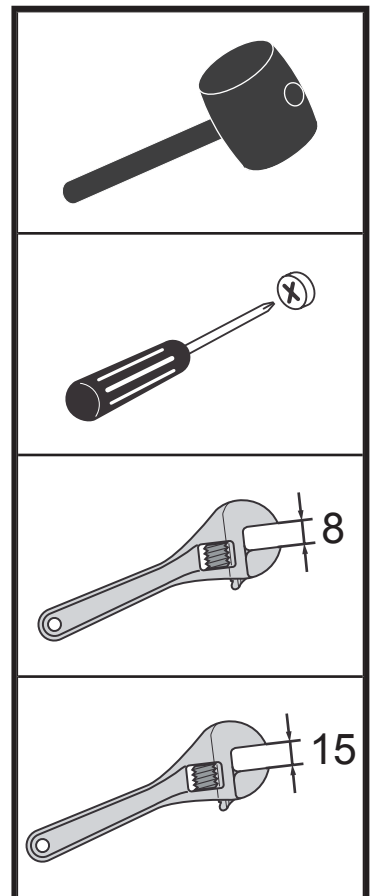
2 Classic EXS	2 Classic EXS Vario	D
2	2	
1	1	
4	4	
4	4	

2 Classic EXS	2 Classic EXS Vario	E
1	1	
1	1	
1	1	
1	1	

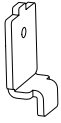
2 Classic EXS	2 Classic EXS Vario	E
1	1	
1	1	
1	1	

2 Classic EXS	2 Classic EXS Vario	1:1 C
4	4	
3	3	
2	2	
1	1	

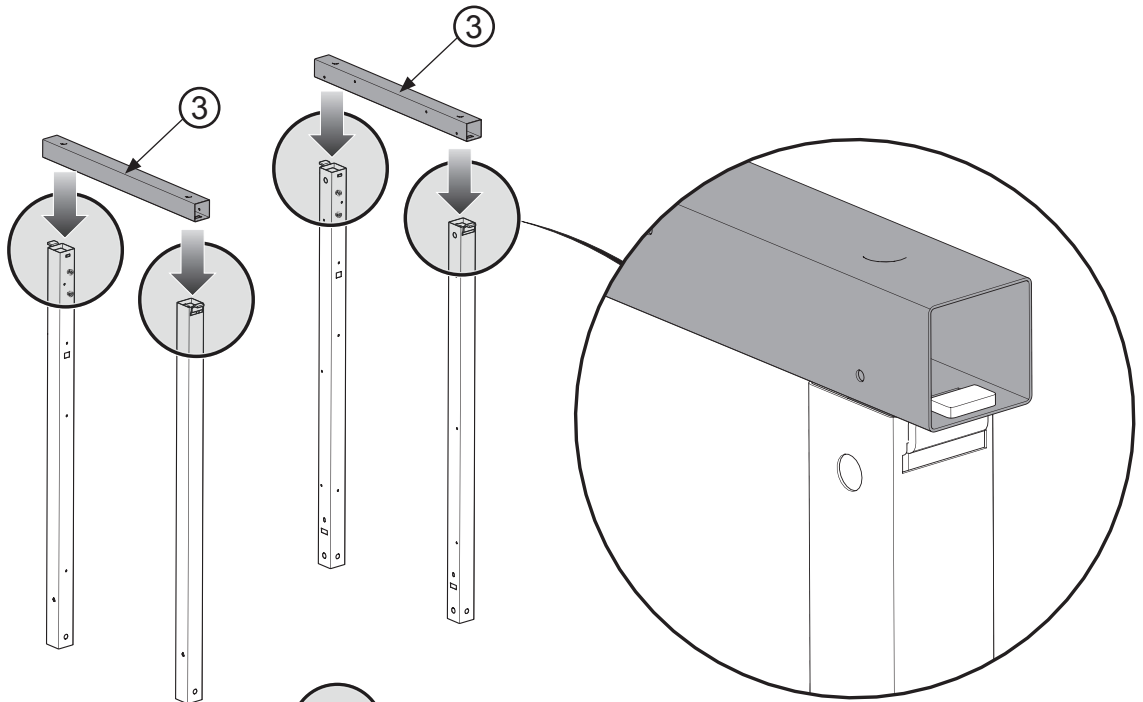
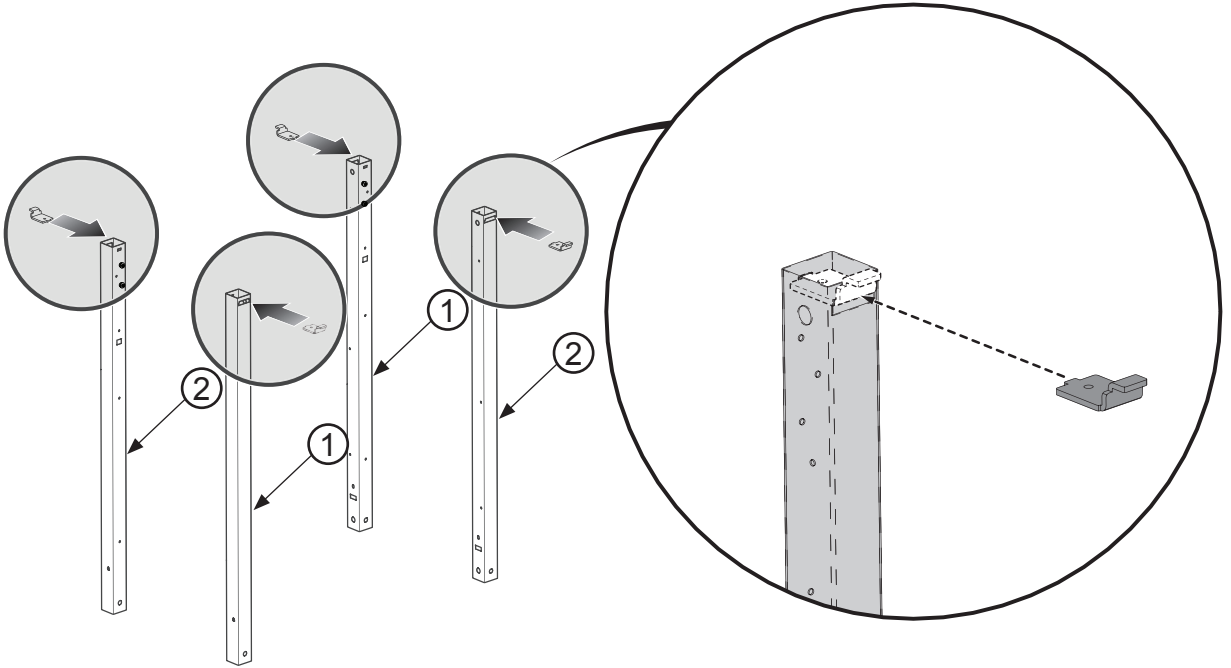
2 Classic EXS	2 Classic EXS Vario	1:1 C
6	6	
2	2	
55	55	
8	8	
2	2	



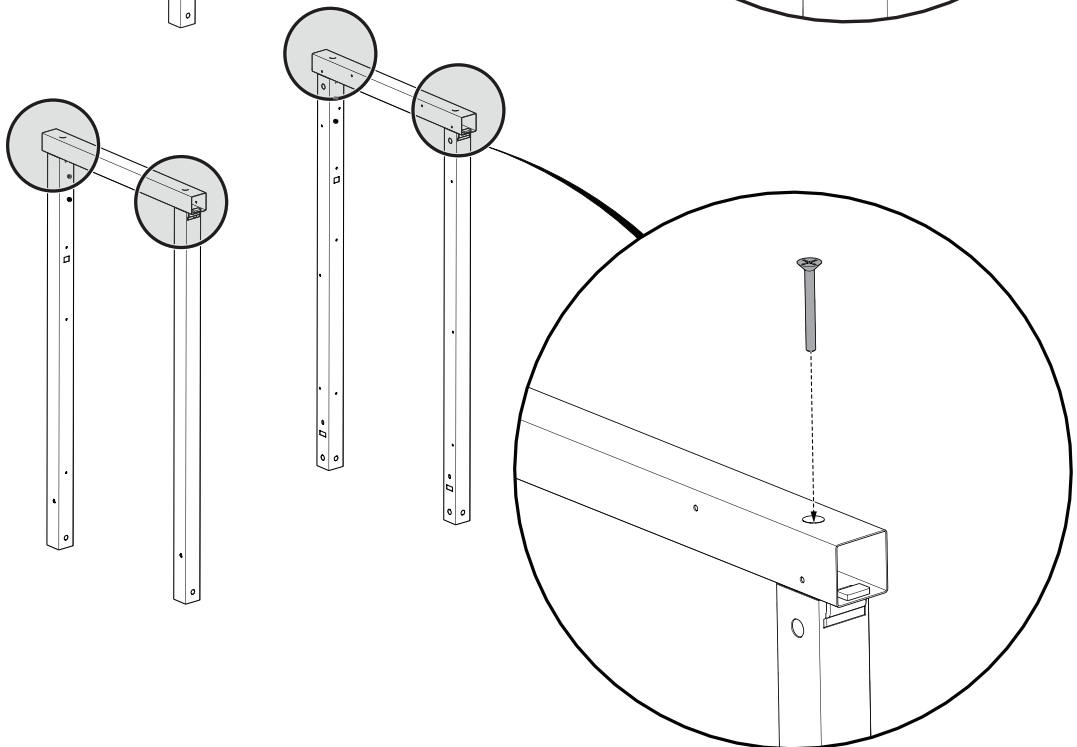
01



X 4



X 4



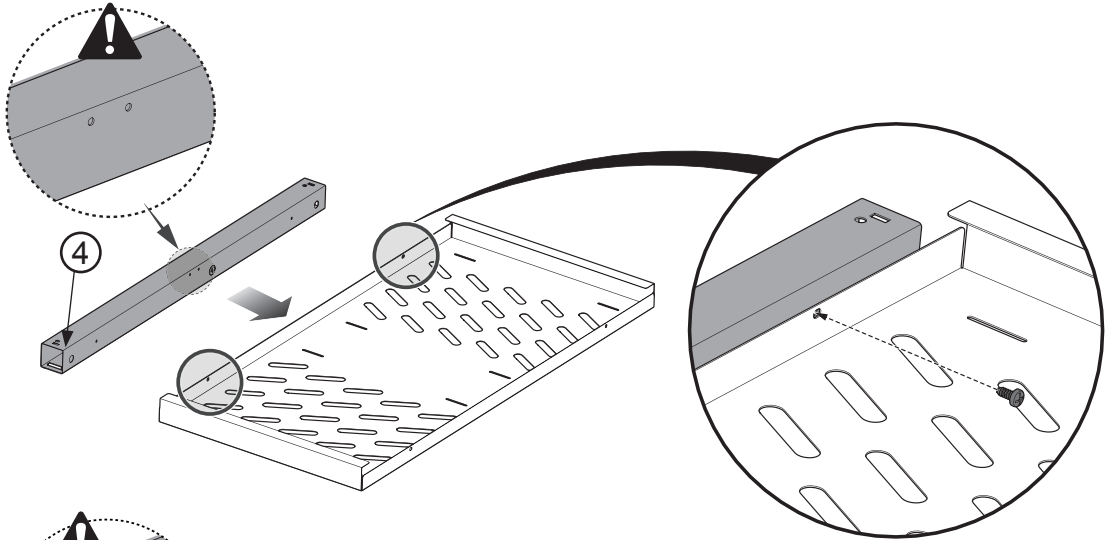
02



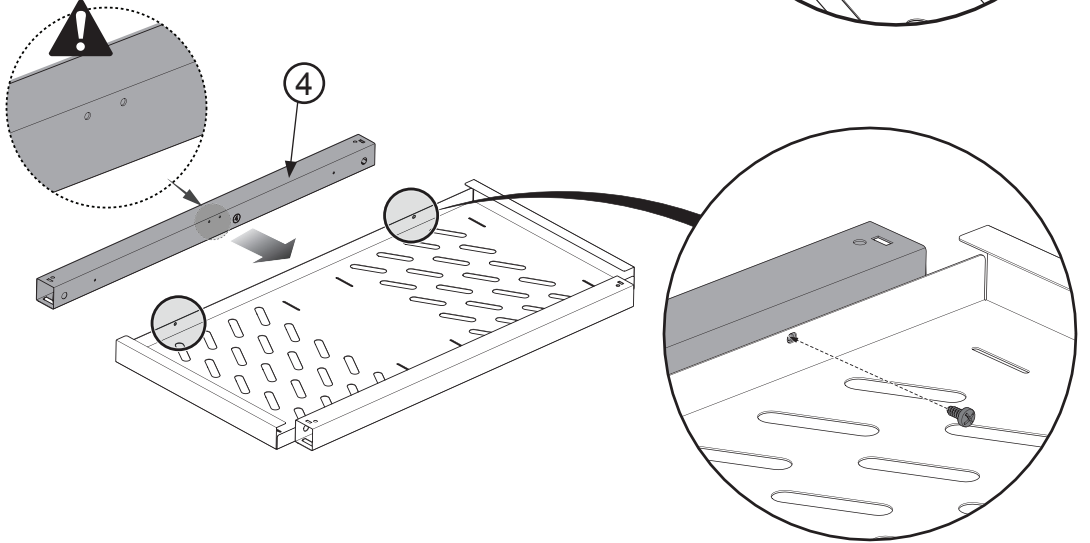
X 4

b

2a



2b



03

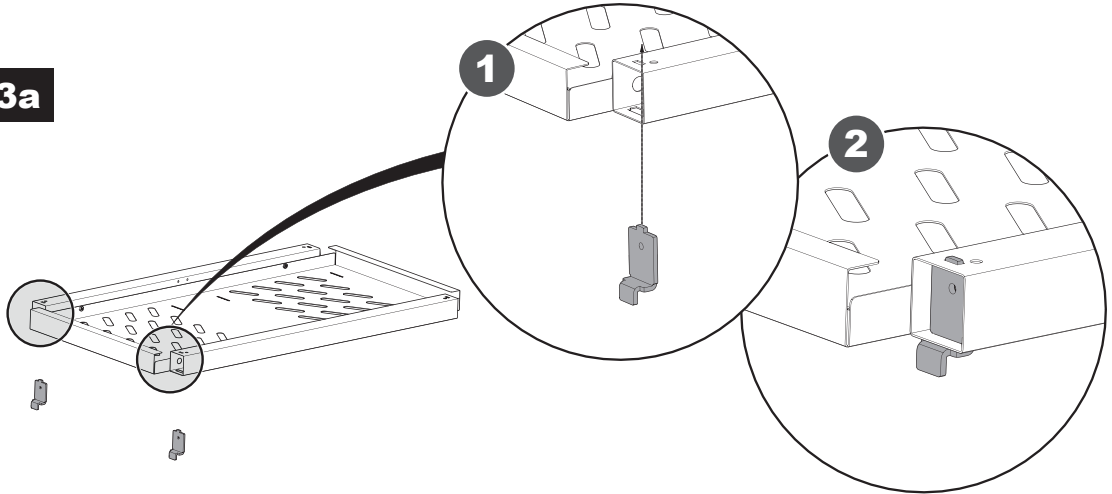


X 2

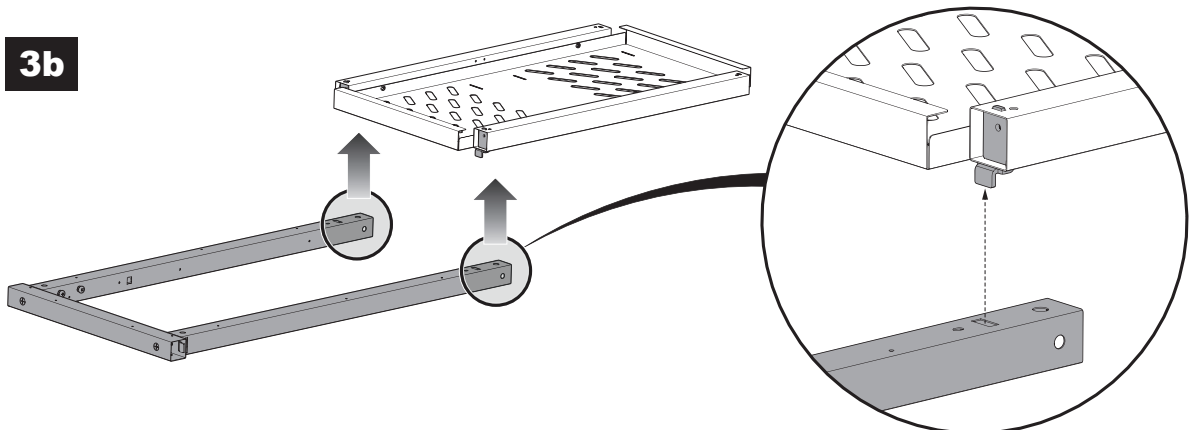


X 2

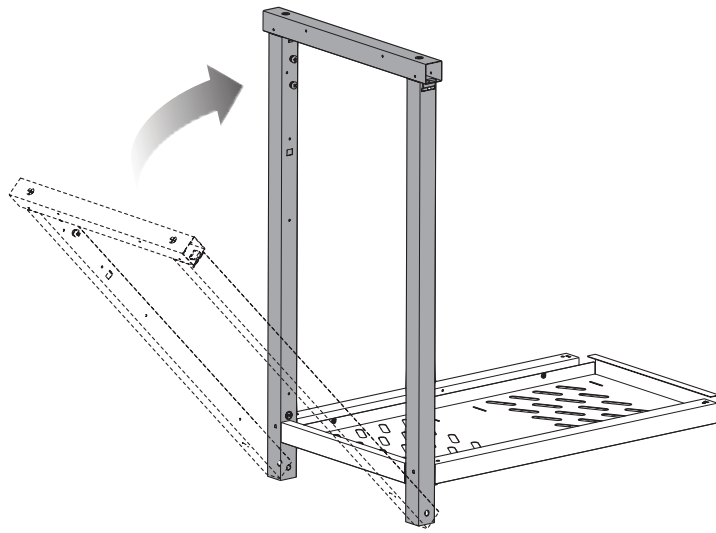
3a



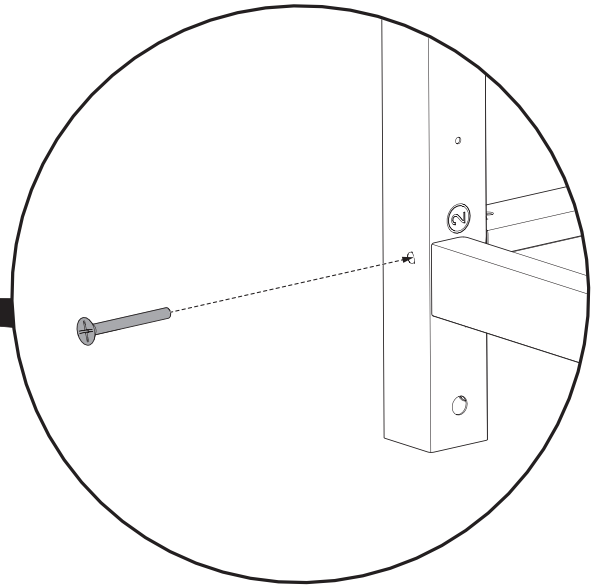
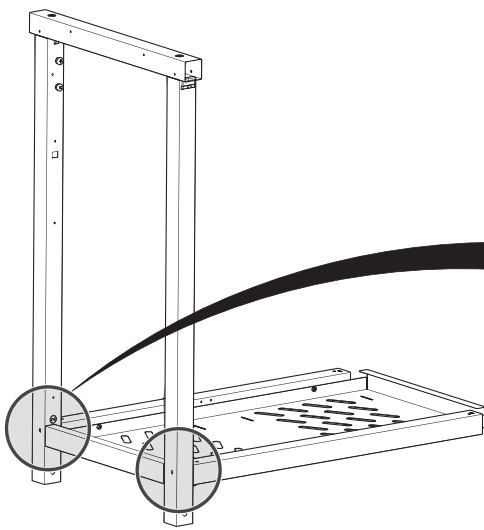
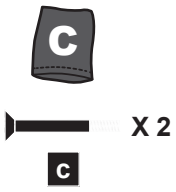
3b



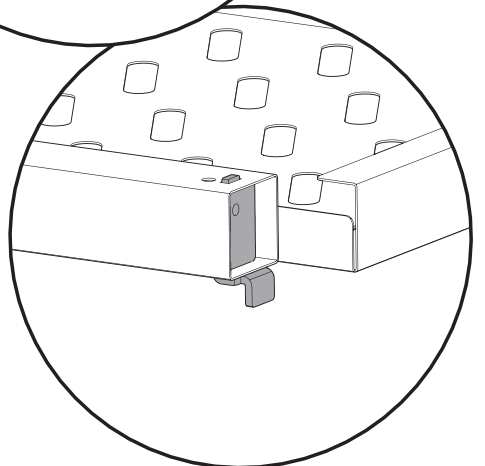
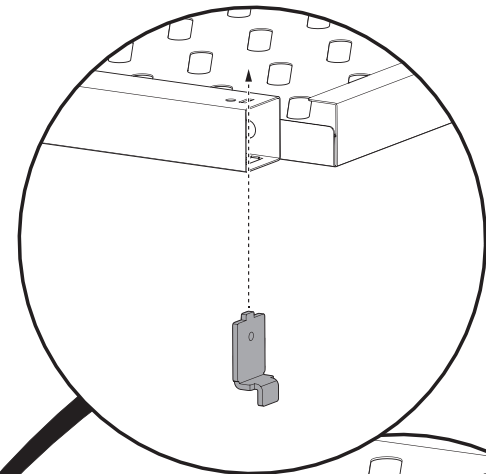
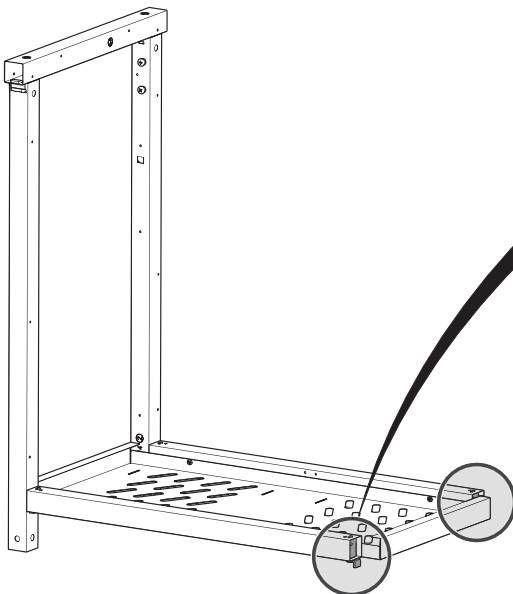
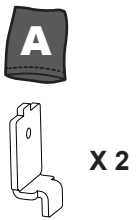
3c



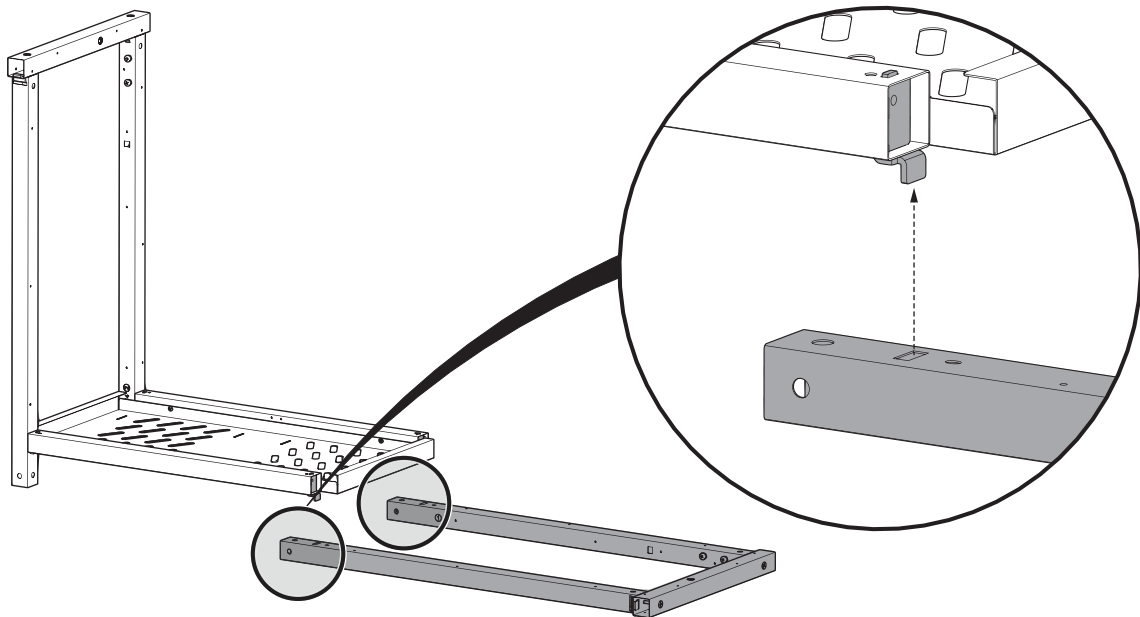
3d



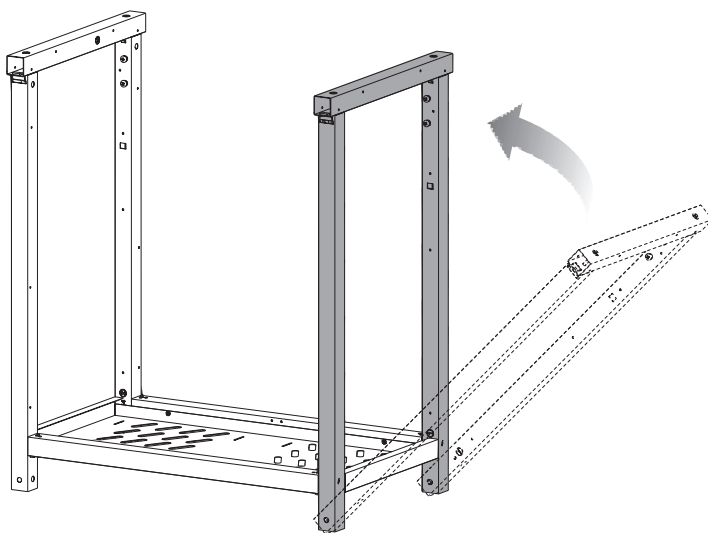
3e



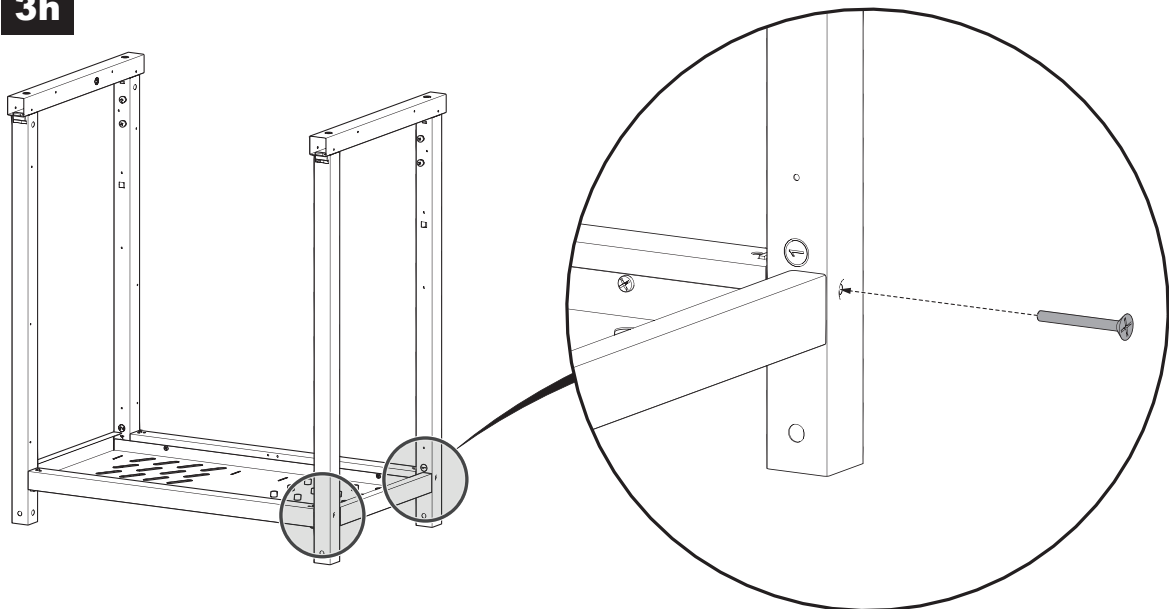
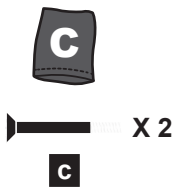
3f



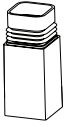
3g



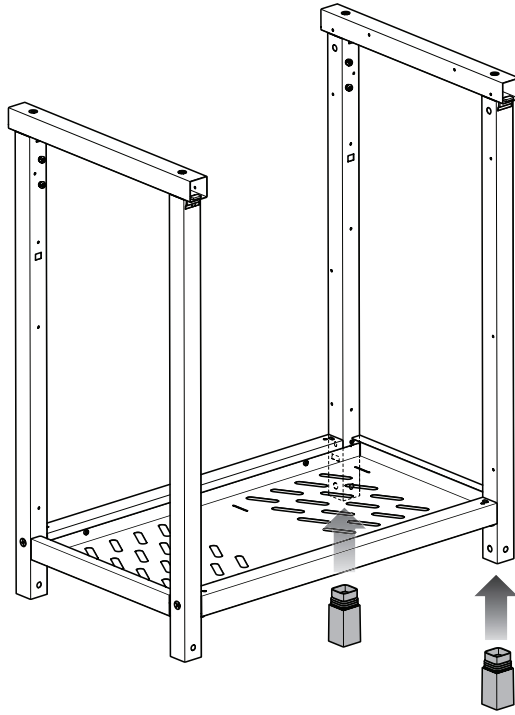
3h



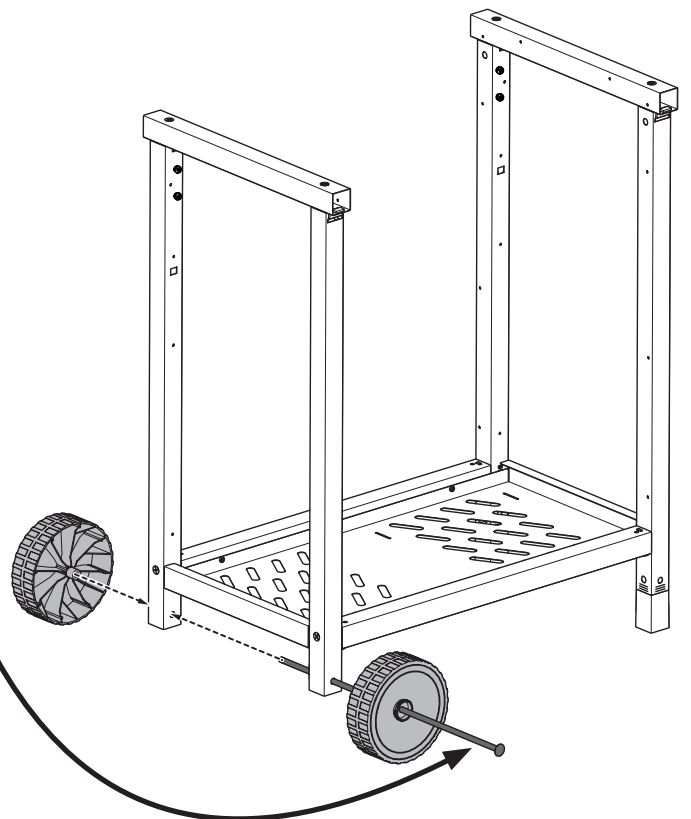
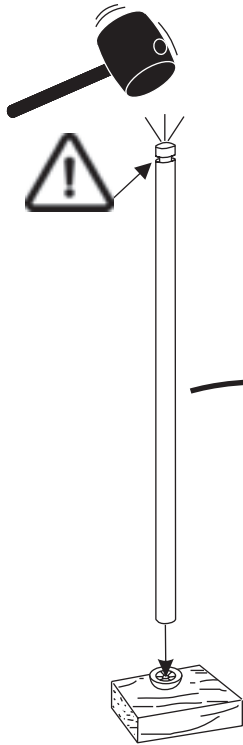
04



X 2

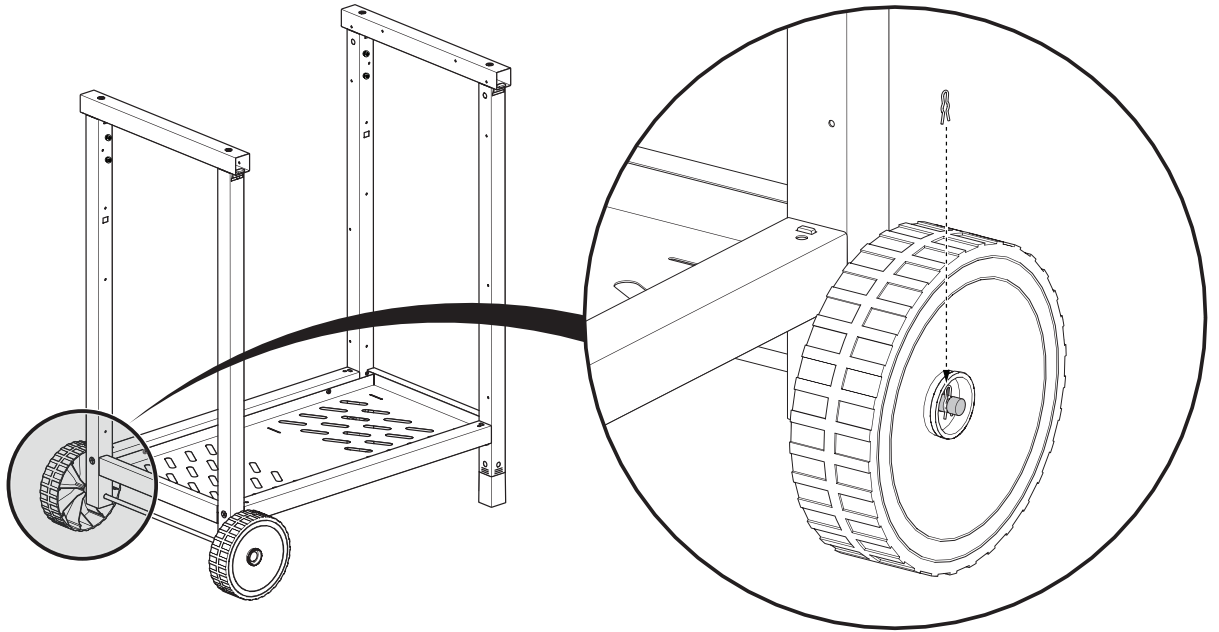


X 1






 X 1

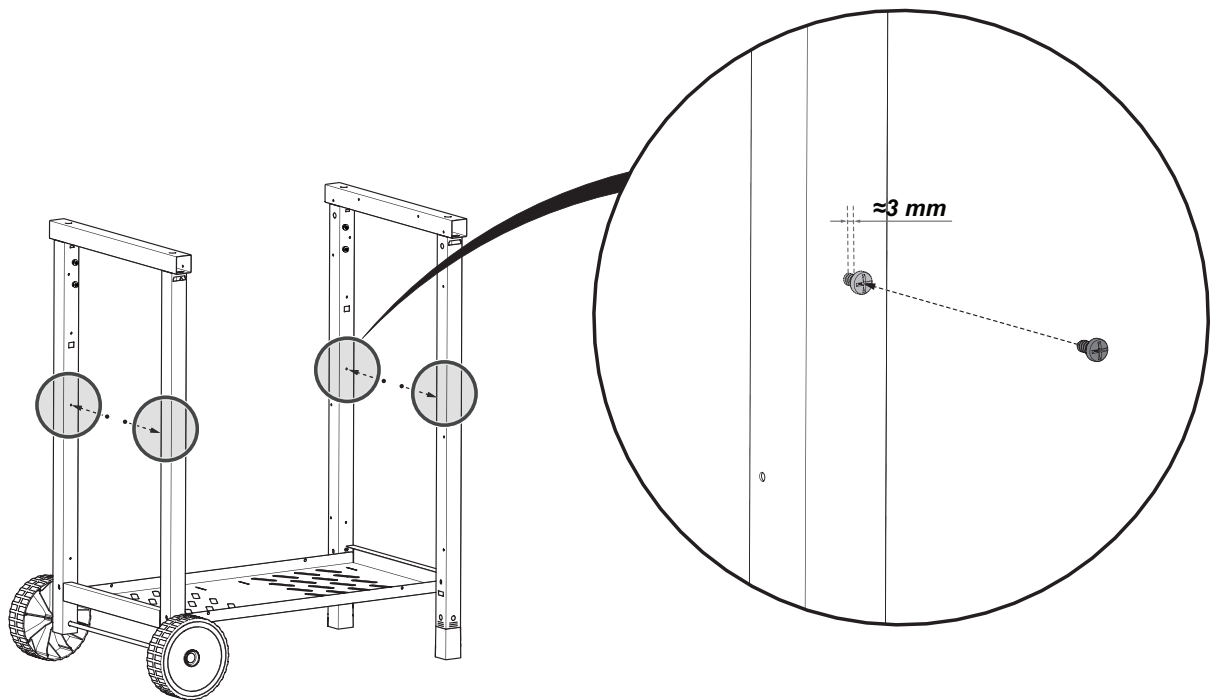


05



 X 4

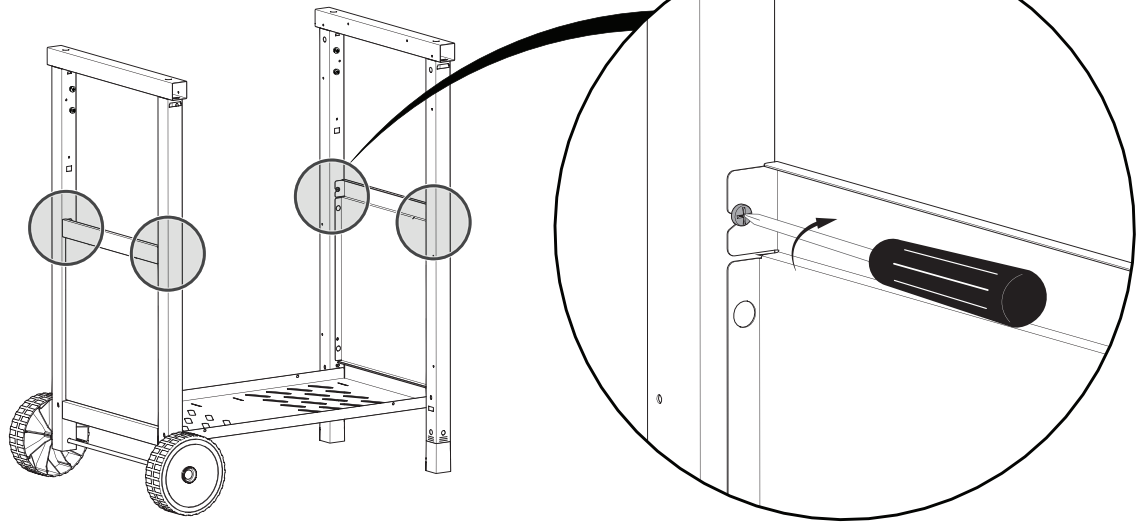
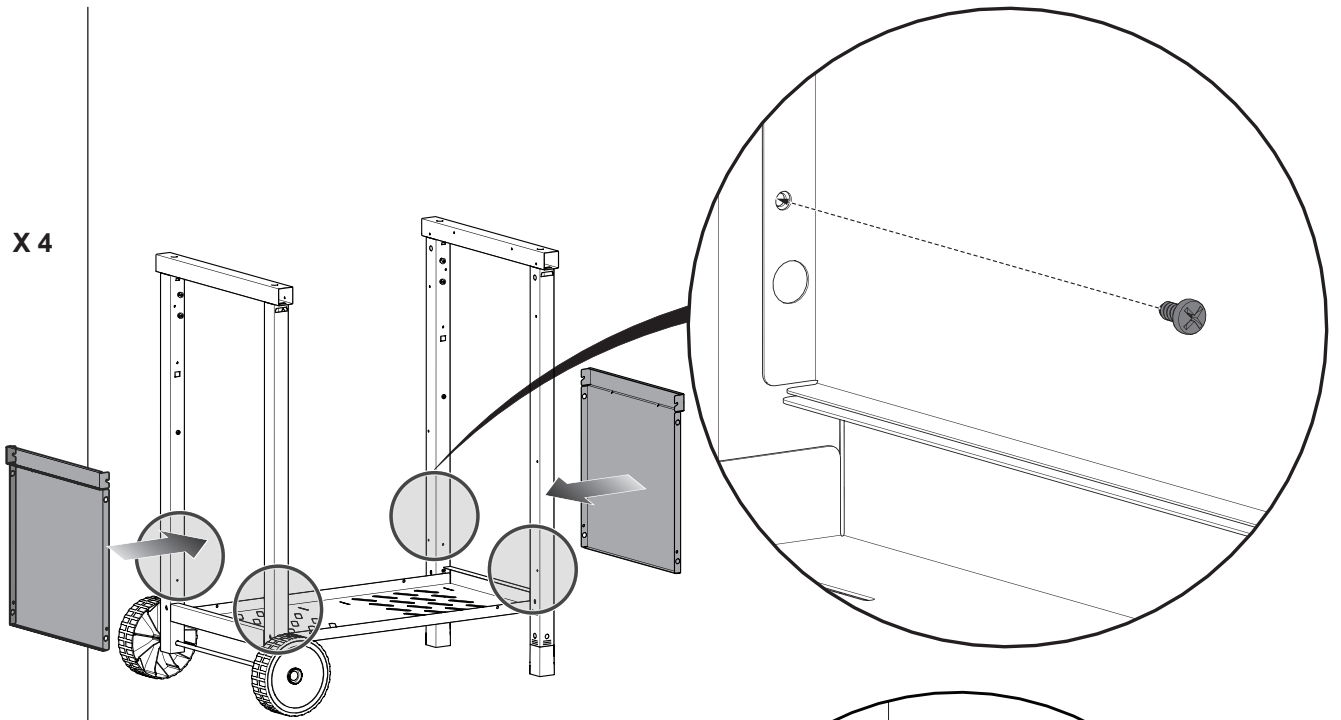
b



C

b X 4

b

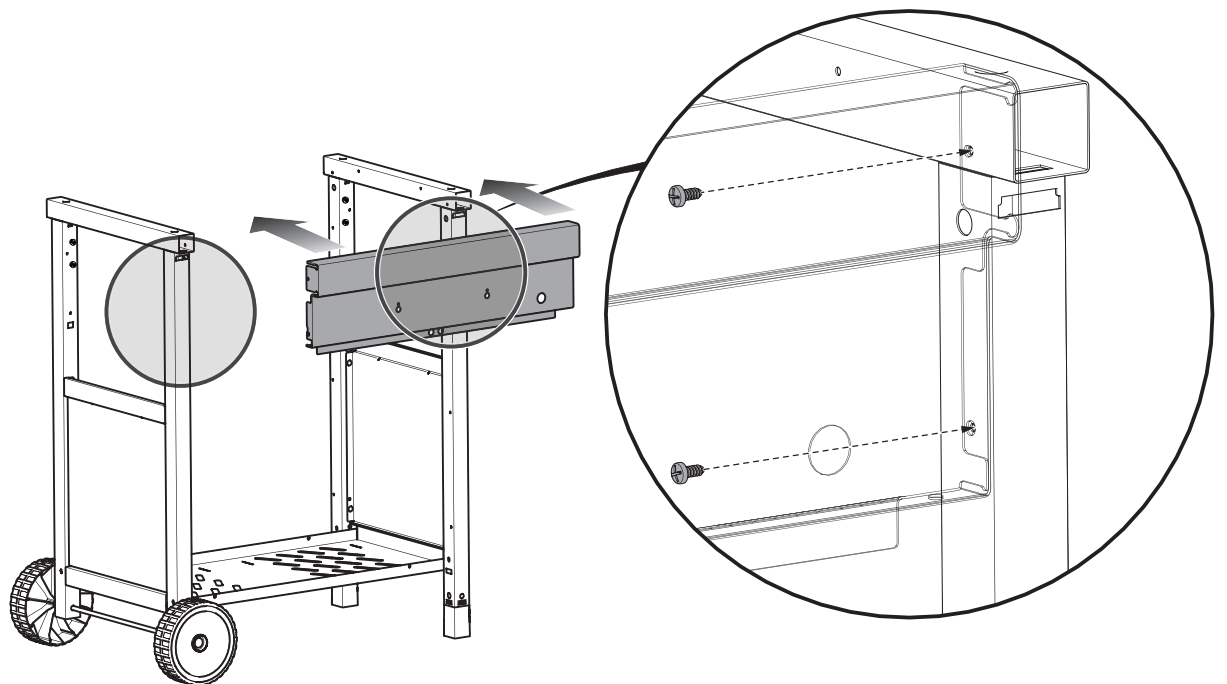


06

C

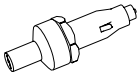
b X 4

b

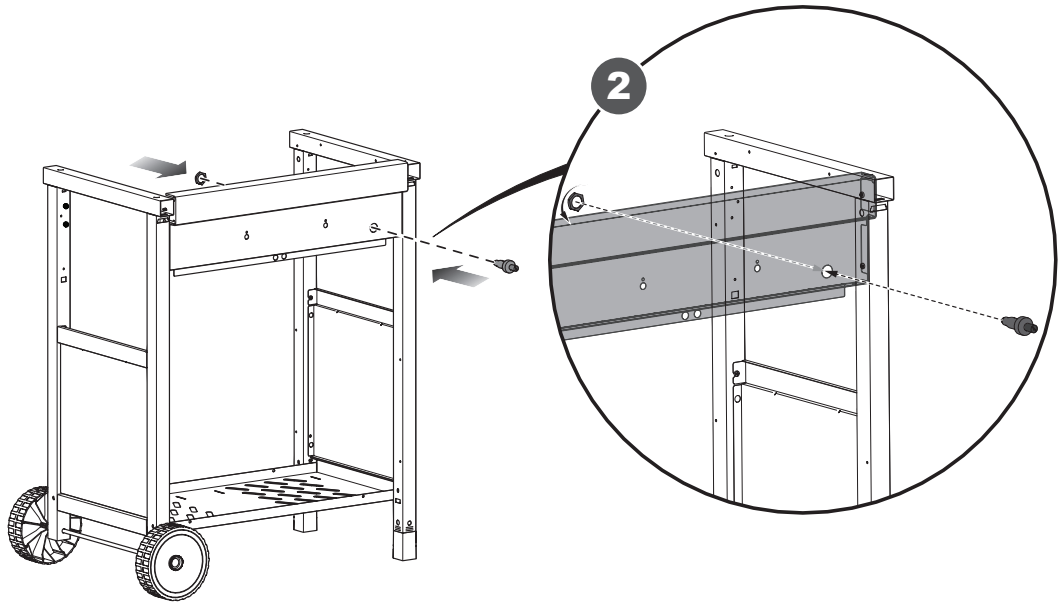
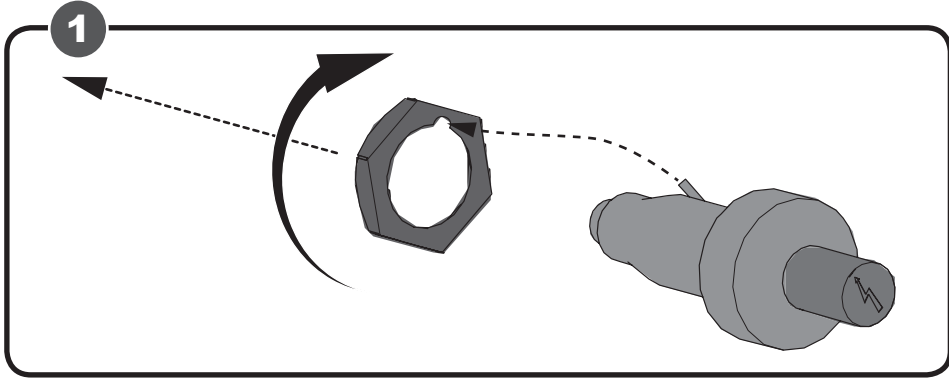


07

E



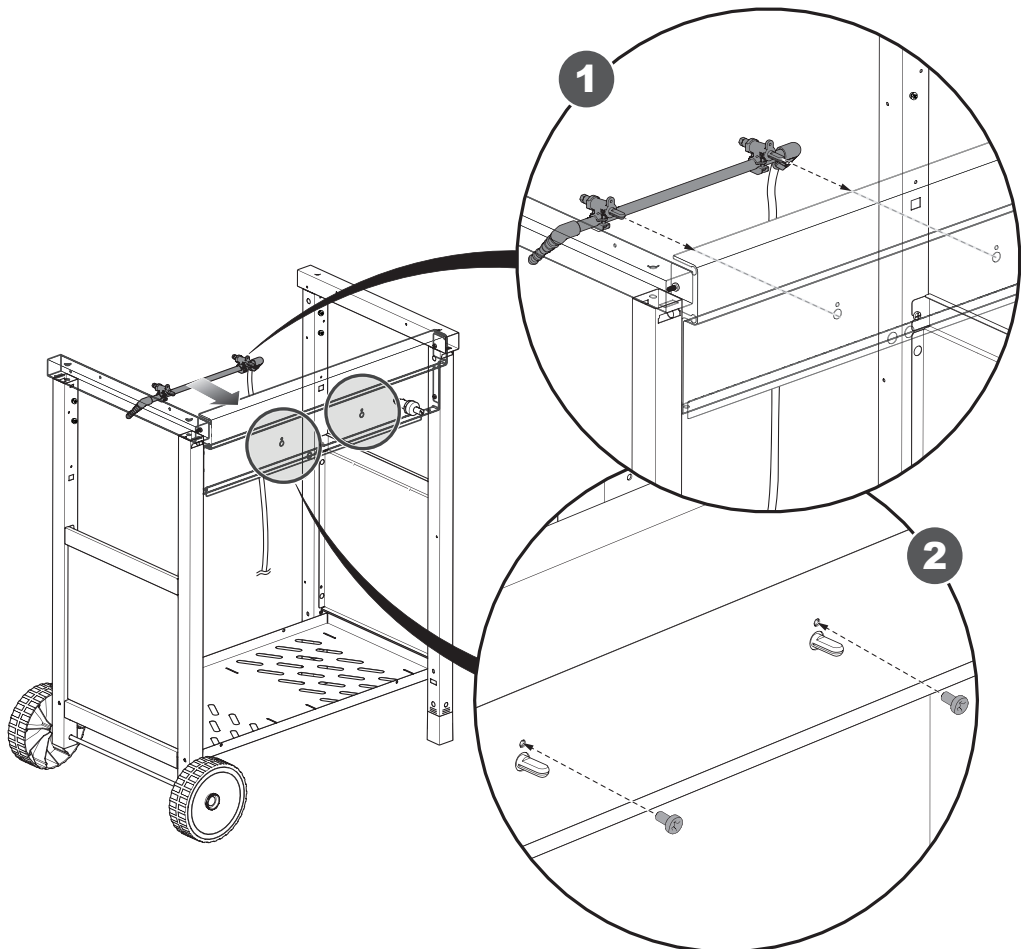
X 1

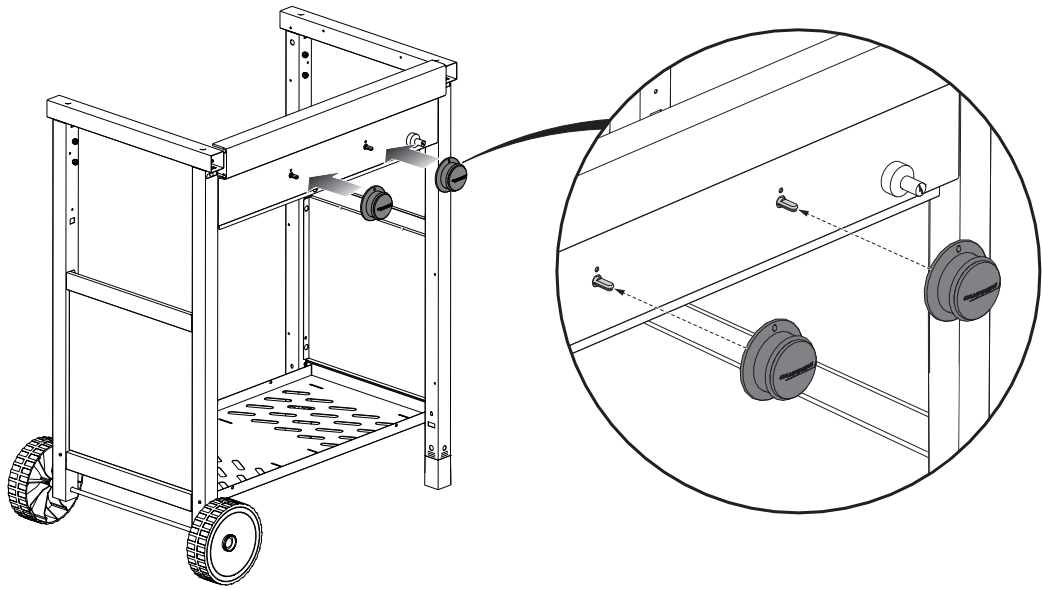


C

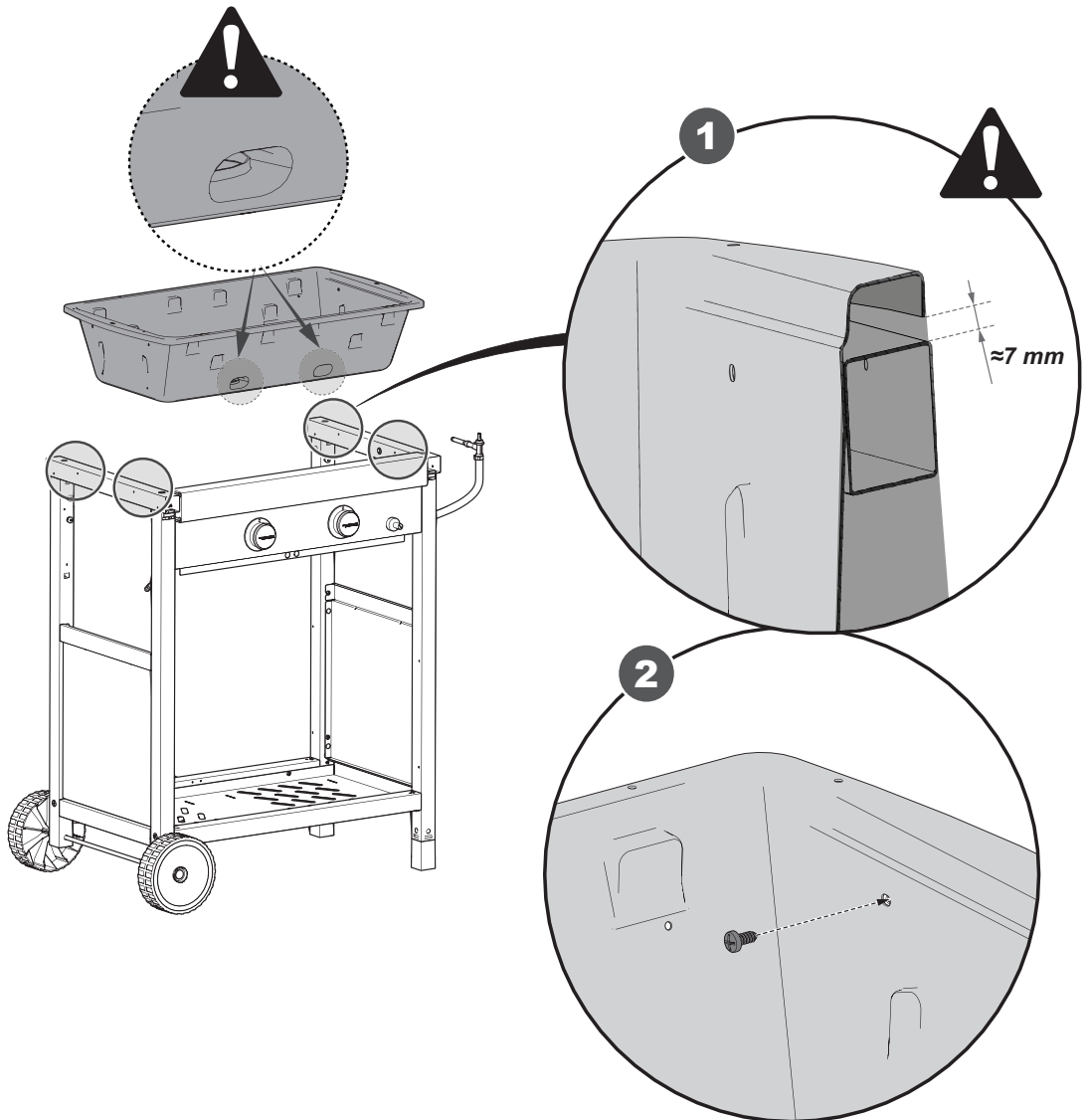
X 2

d



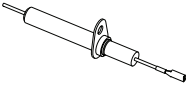


08

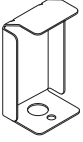


09

A

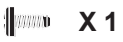


X 1



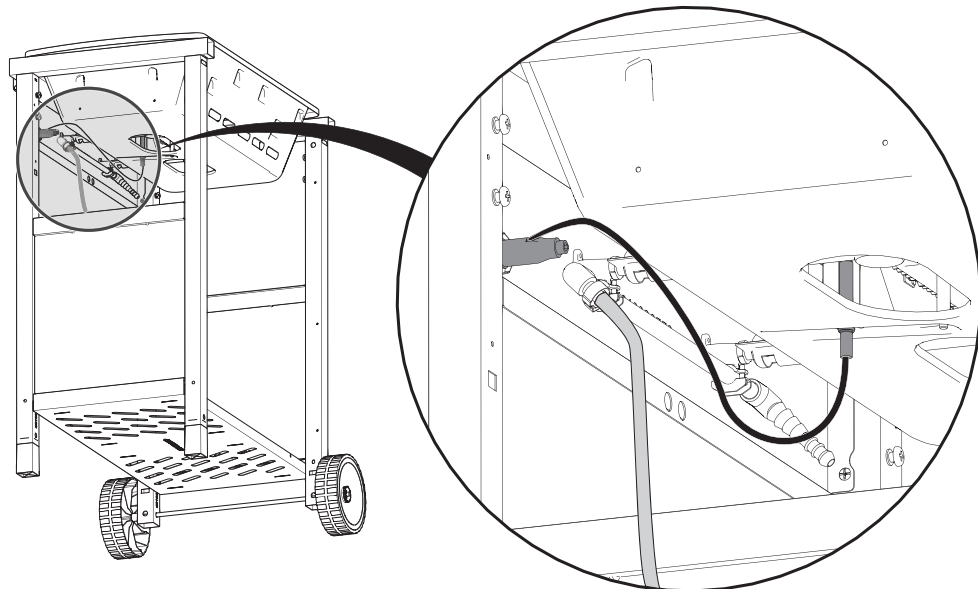
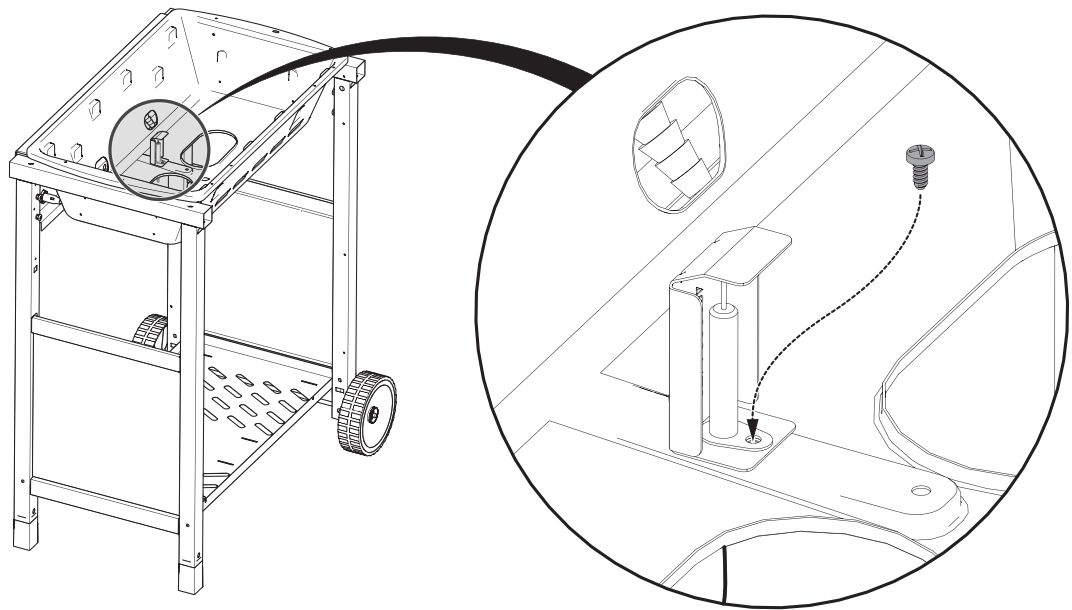
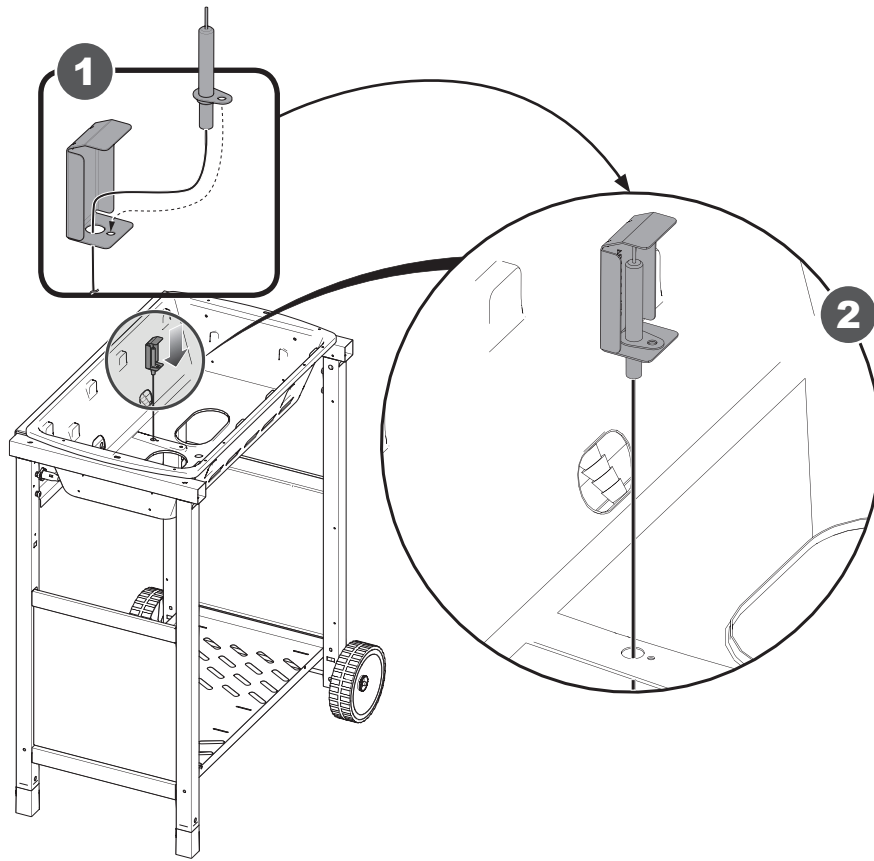
X 1

C







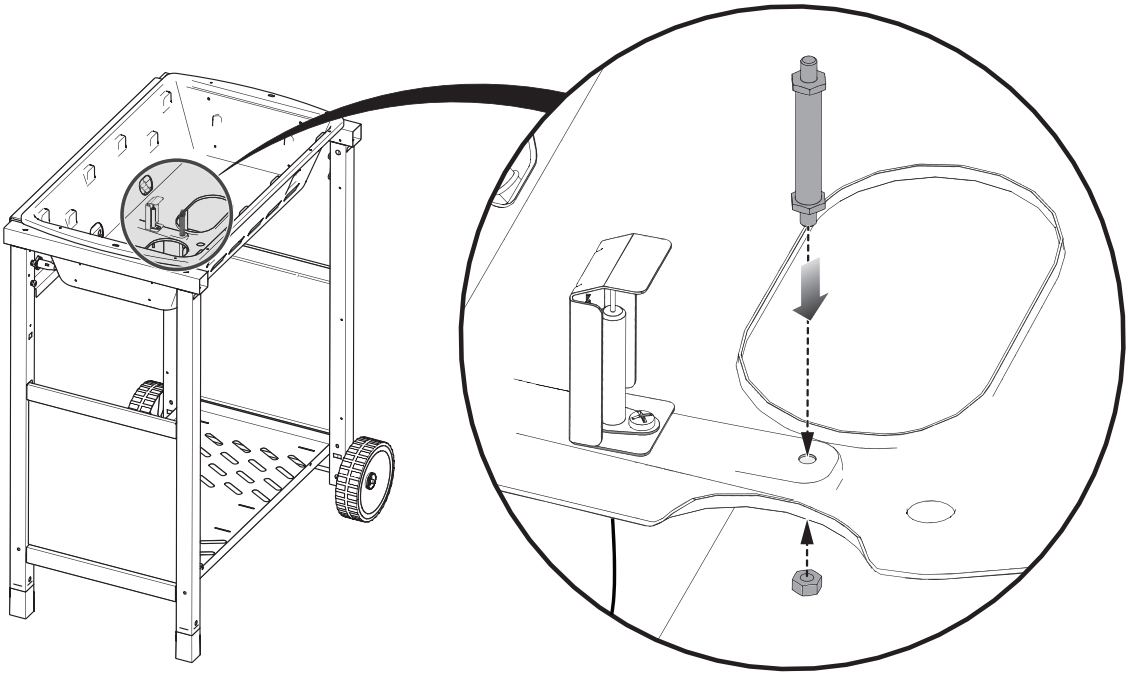
X 1

b

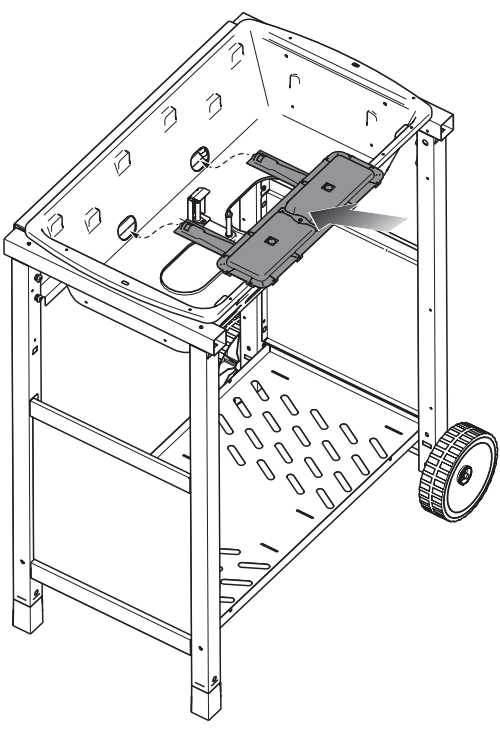


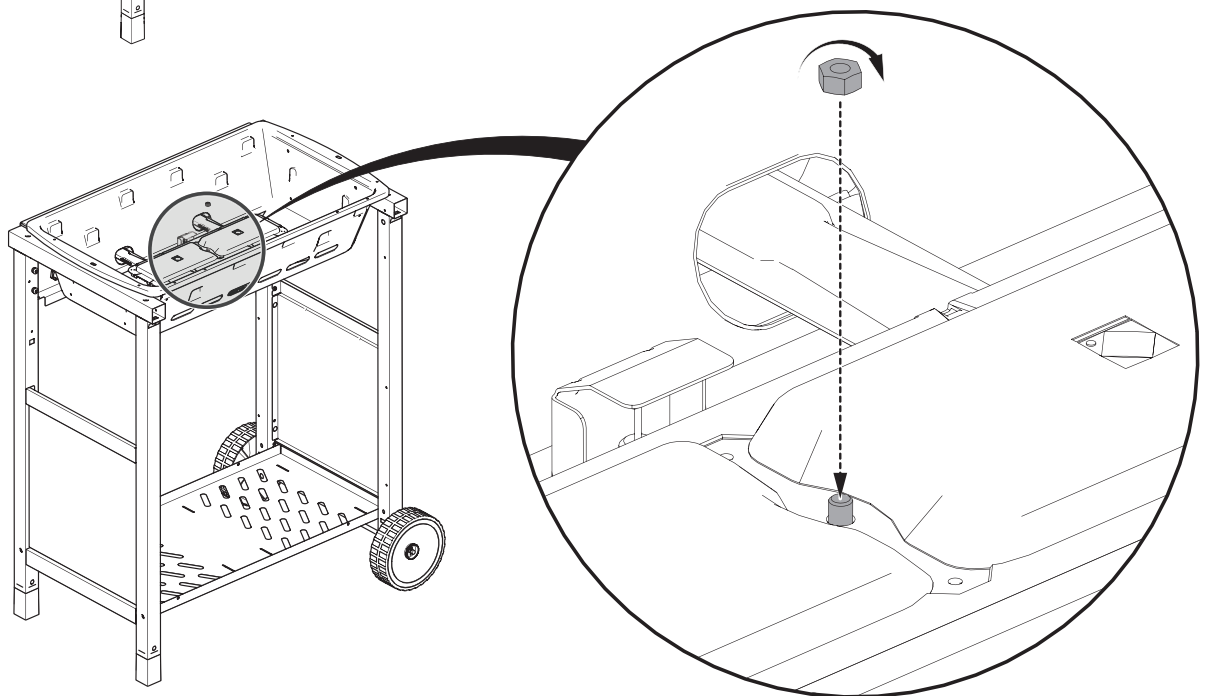
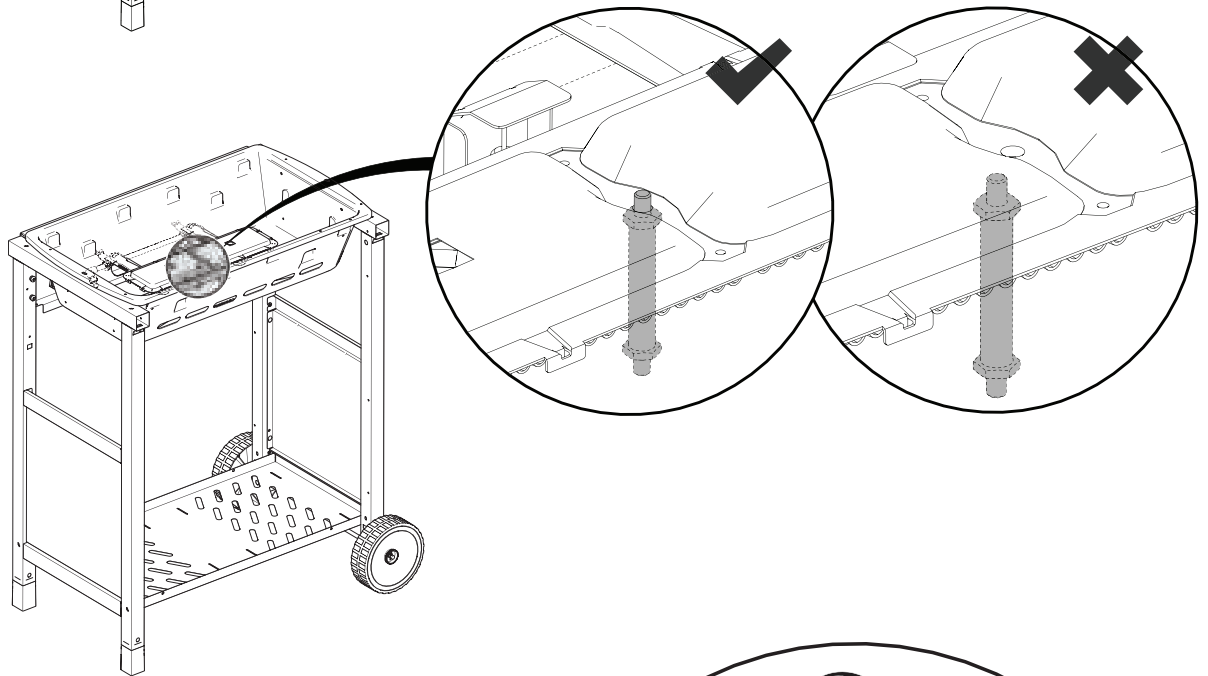
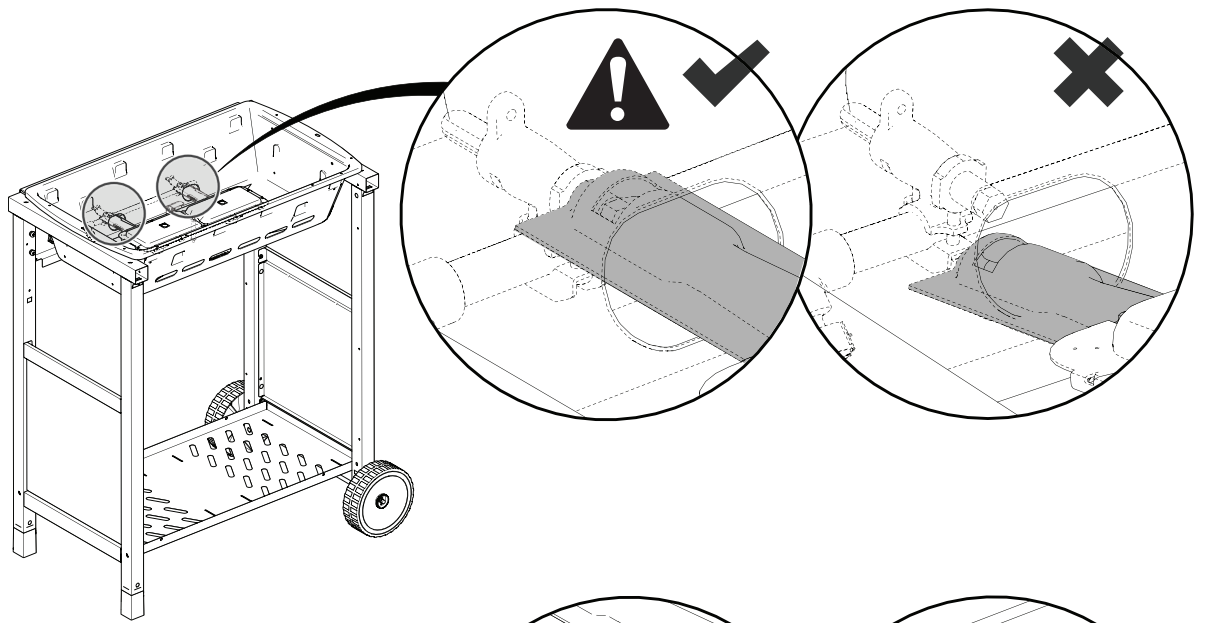
10

-  **C**
-  **X 1**
-  **X 1**
-  **8**



11



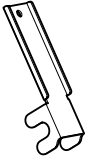


D

X1



12

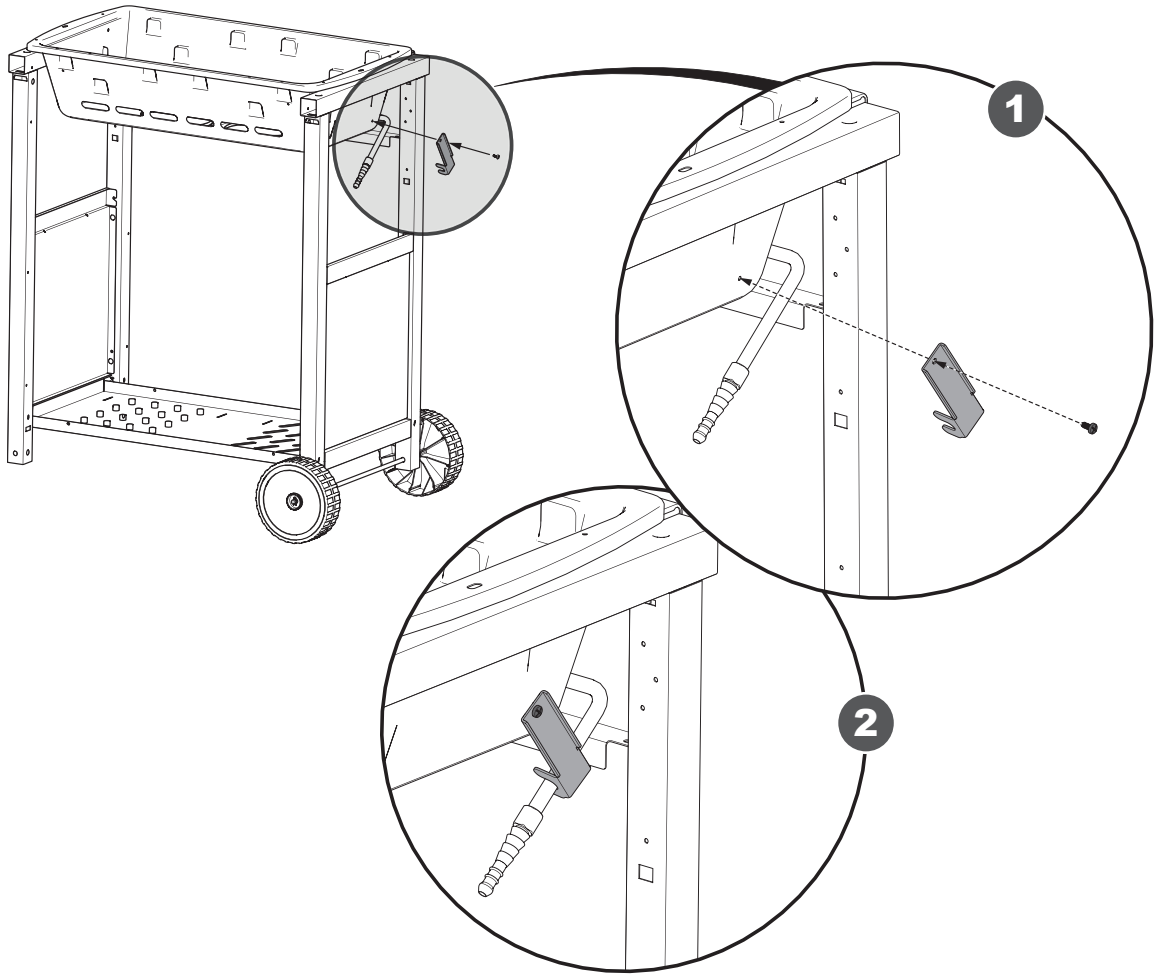


X 1

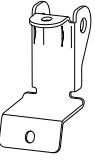


X 1

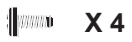
b



13

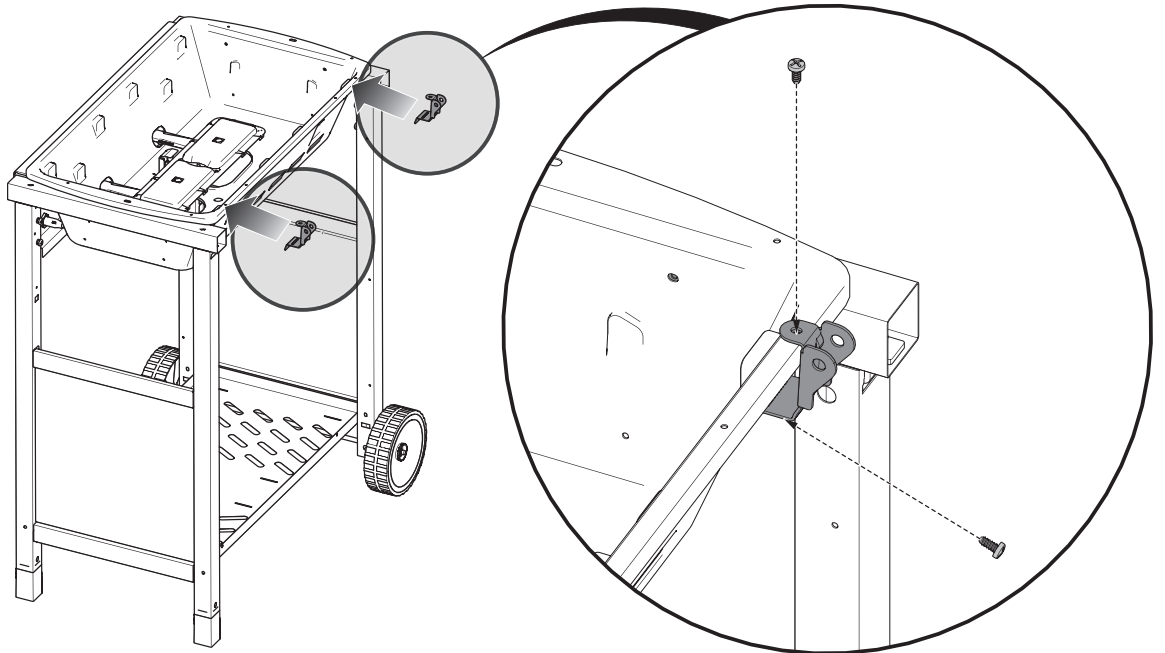


X 2



X 4

b



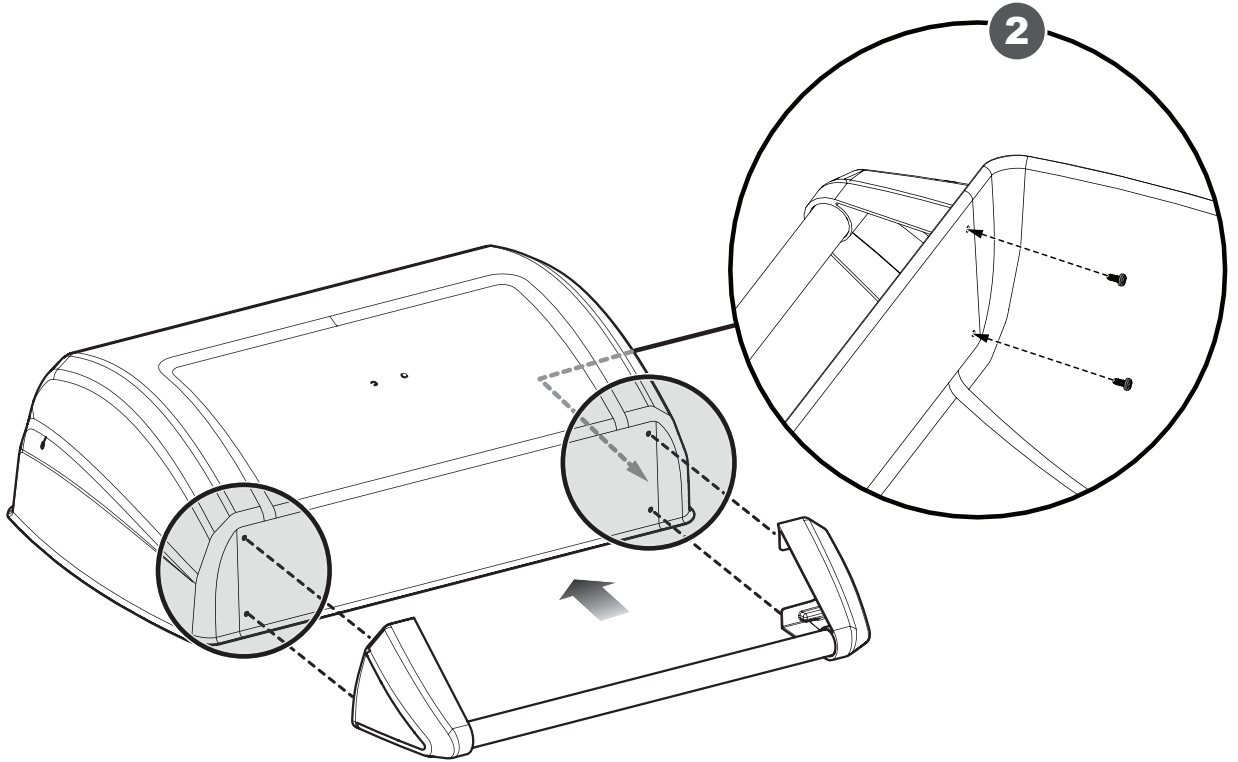
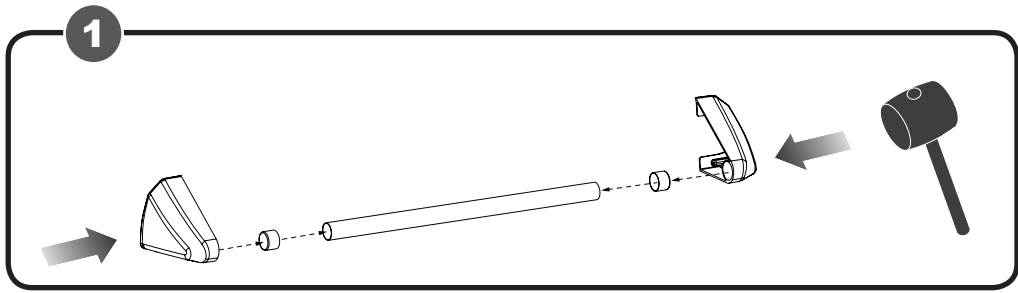
14



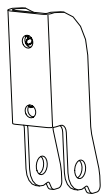
X 4



X 2



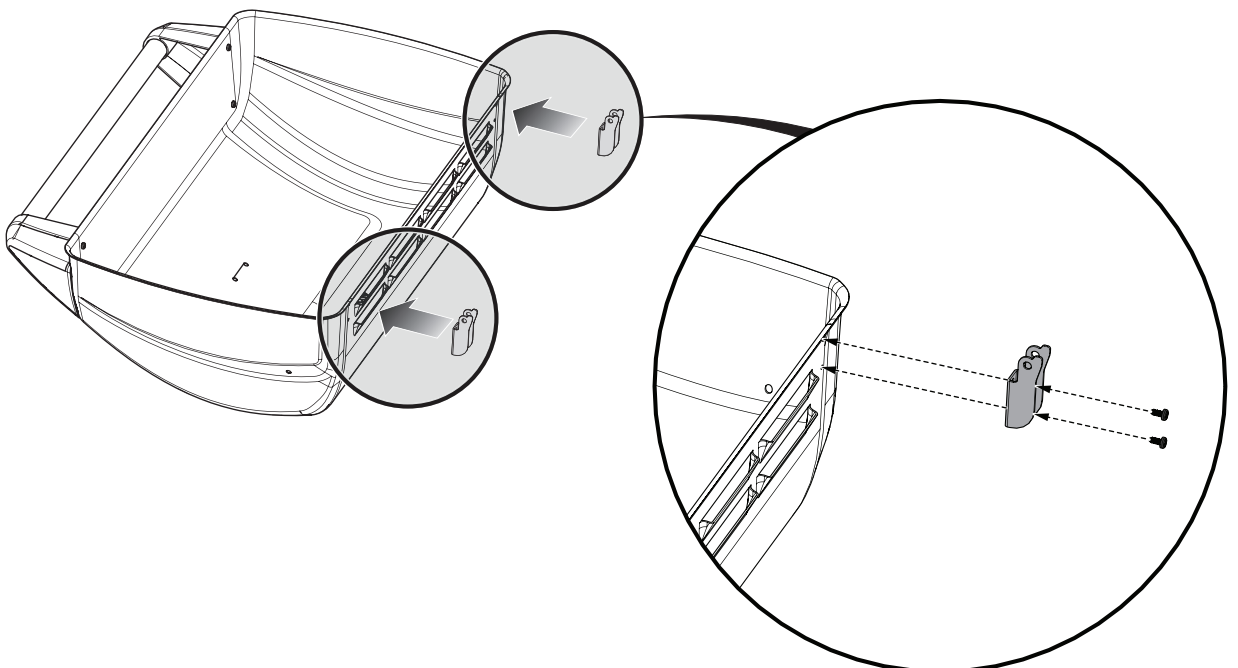
15



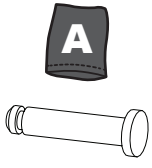
X 2



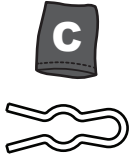
X 4



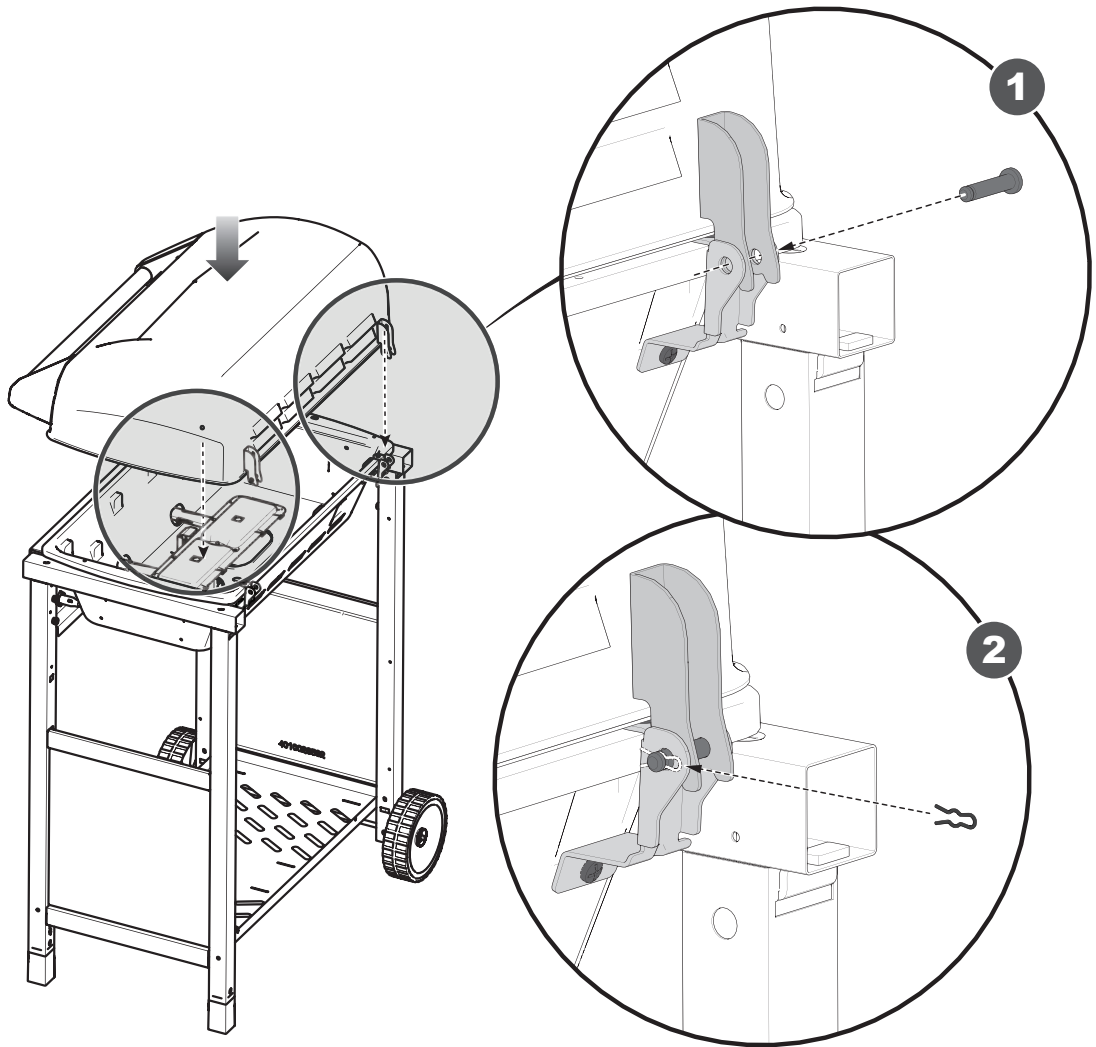
16



X 2



X 2



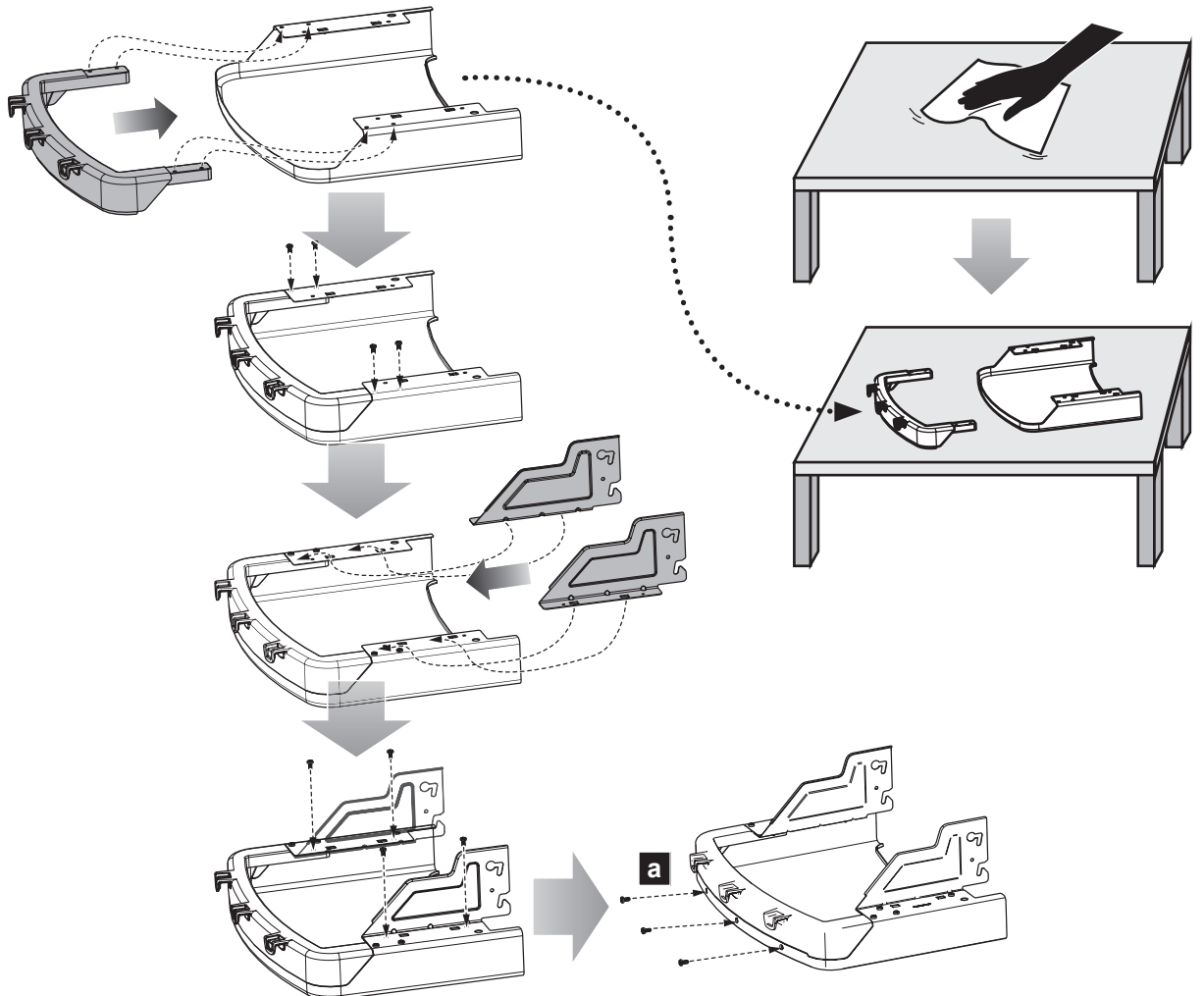
17



X 8



X 3





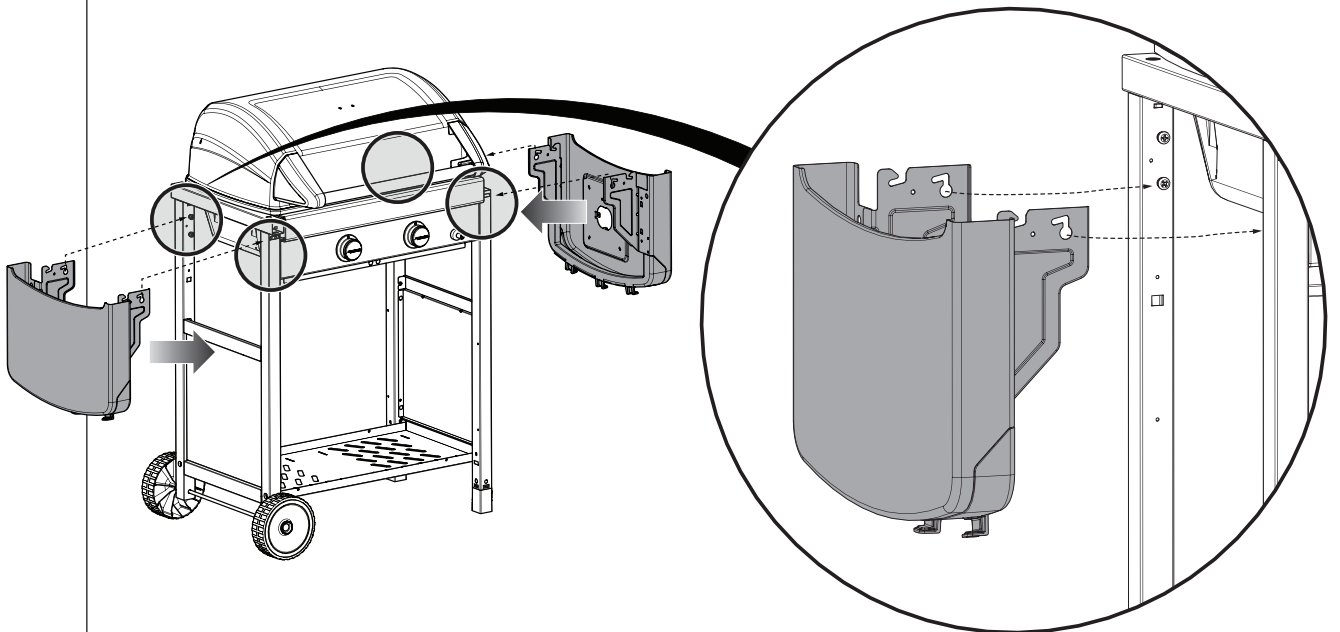
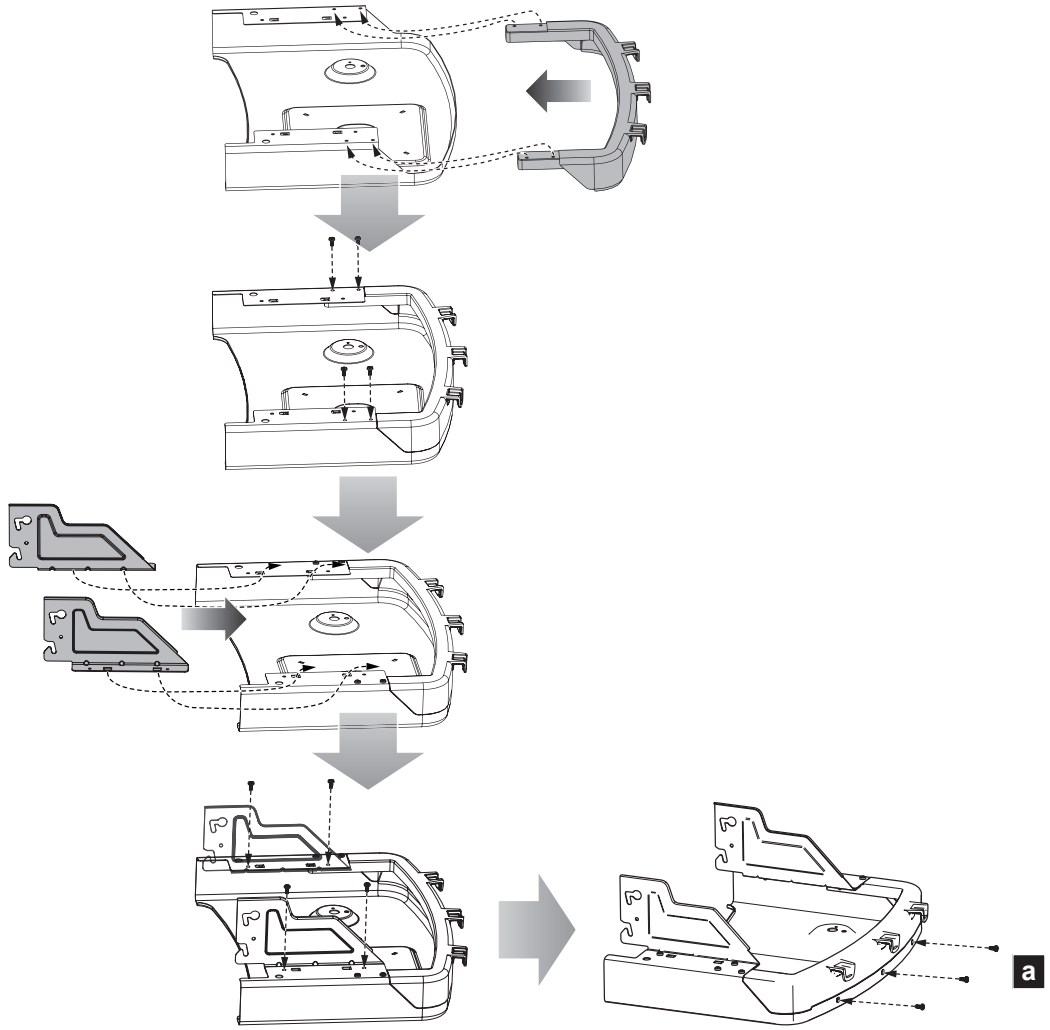
 X 8

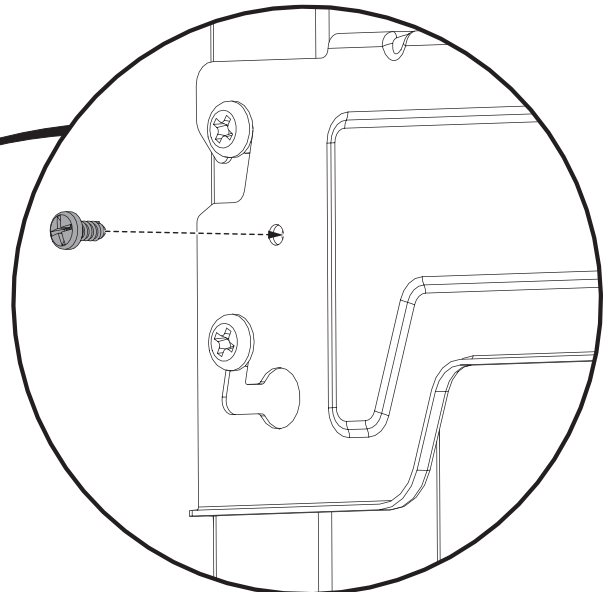
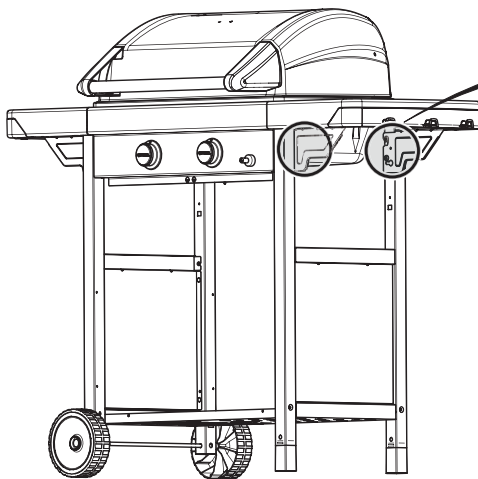
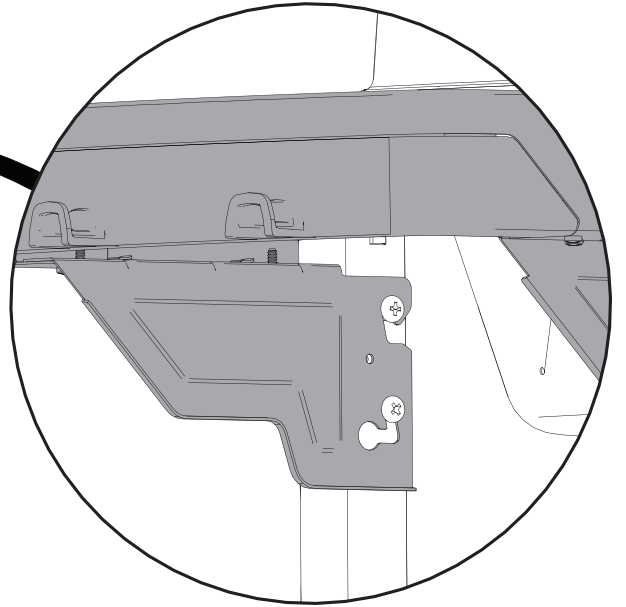
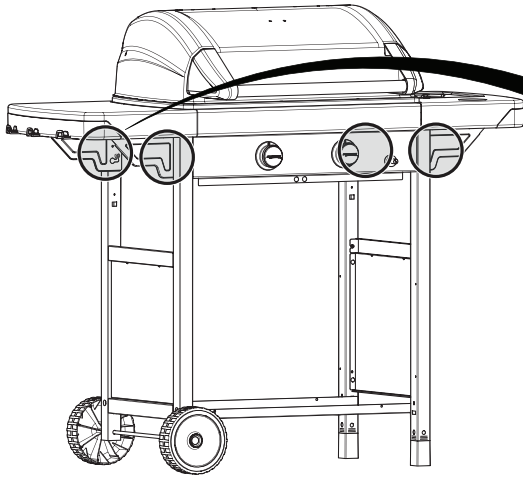
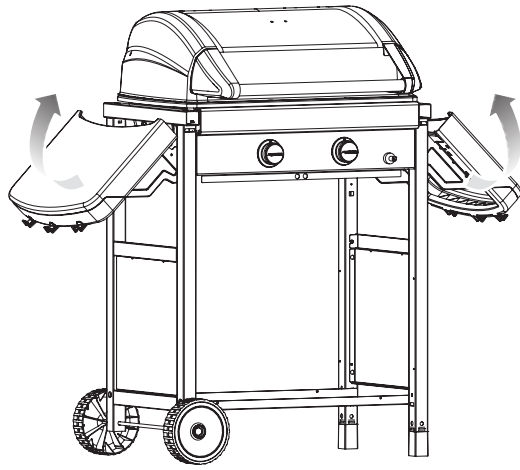
b



 X 3

a



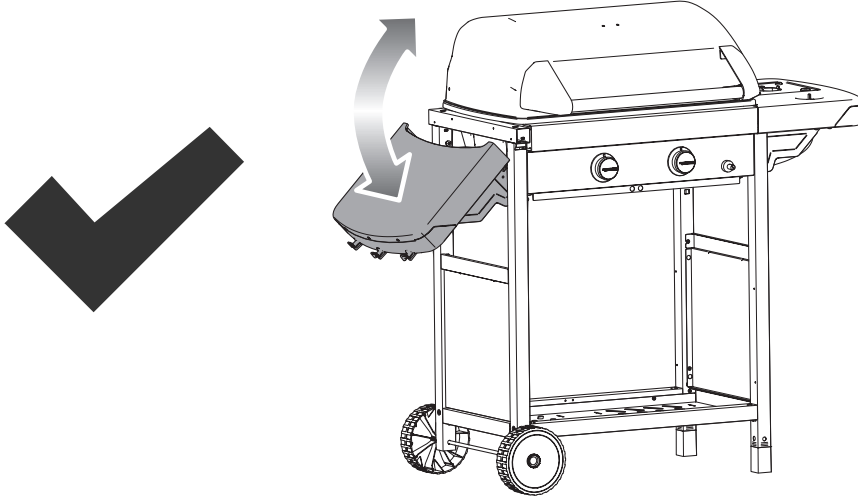


C

b X 2

b

OPTION 1

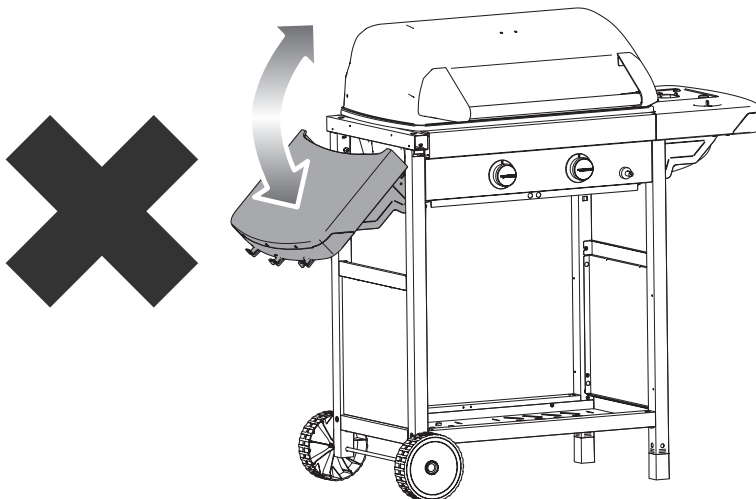
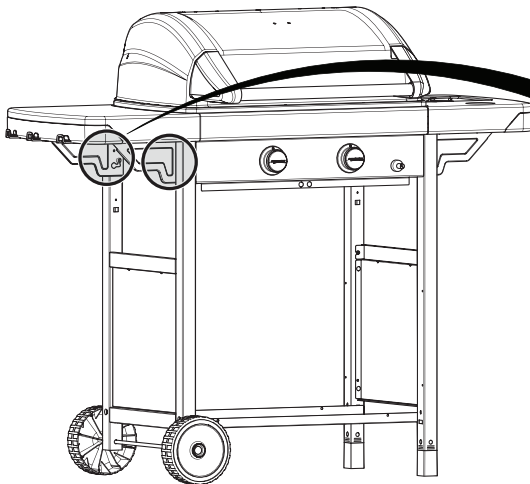


OPTION 2

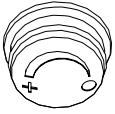
C

 X 2

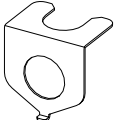
b



18



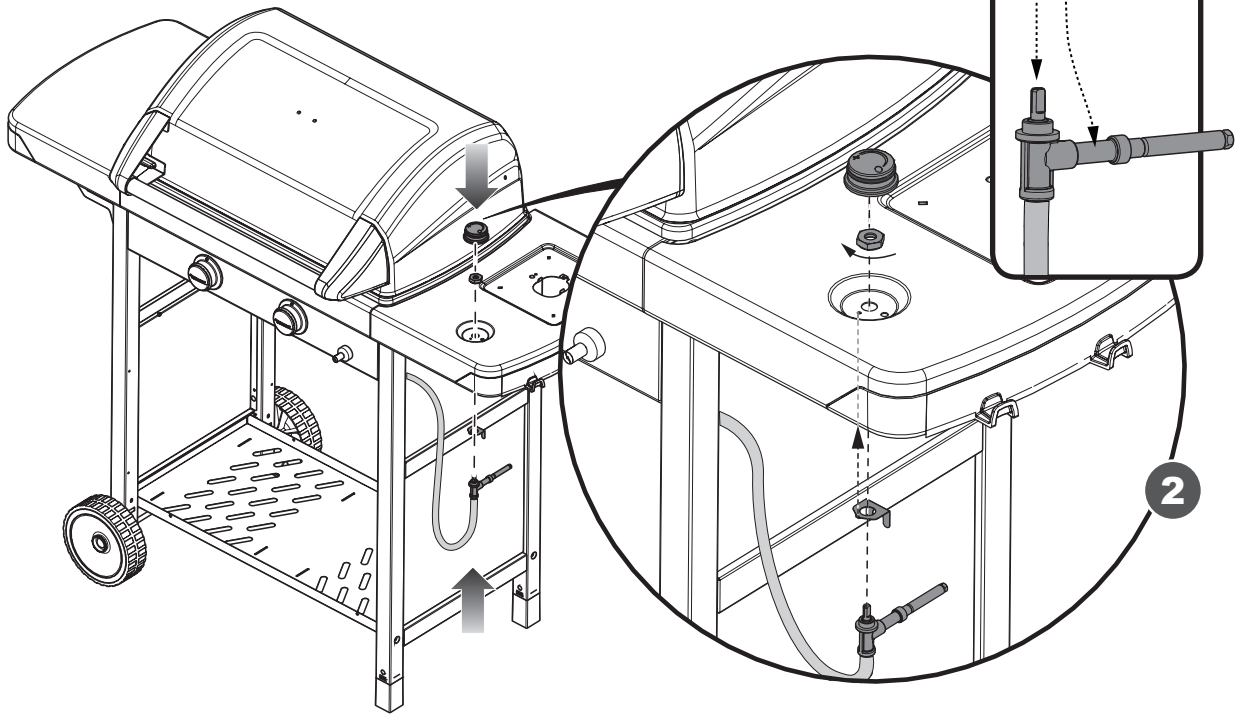
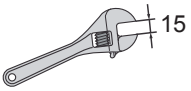
X1



X1



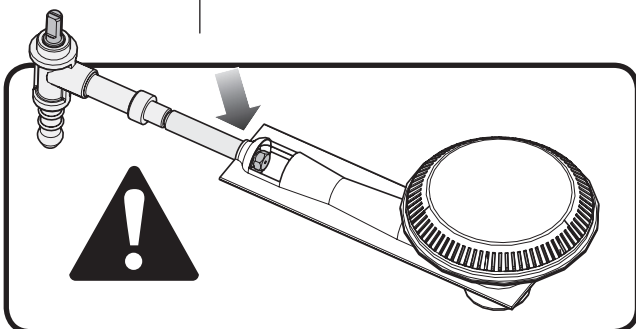
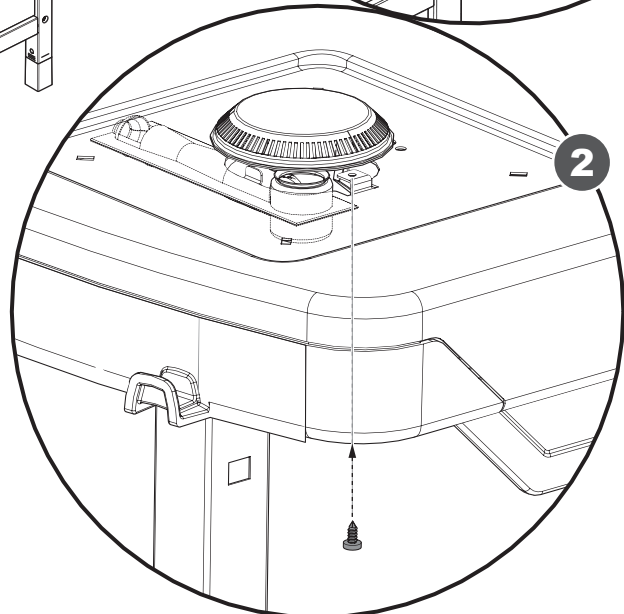
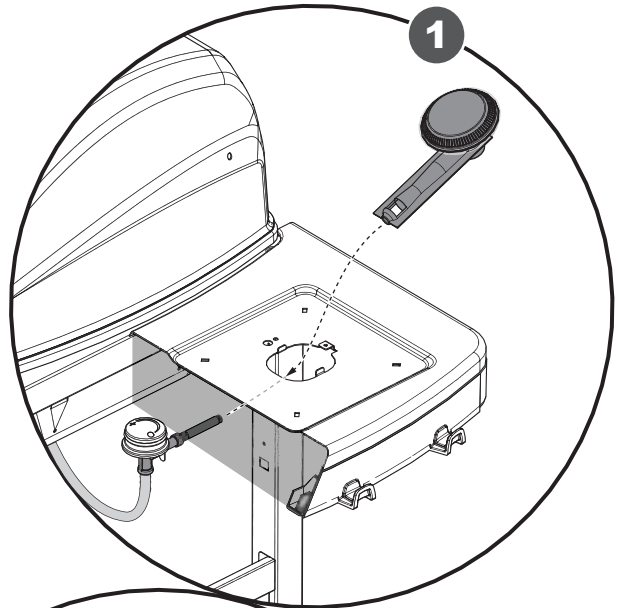
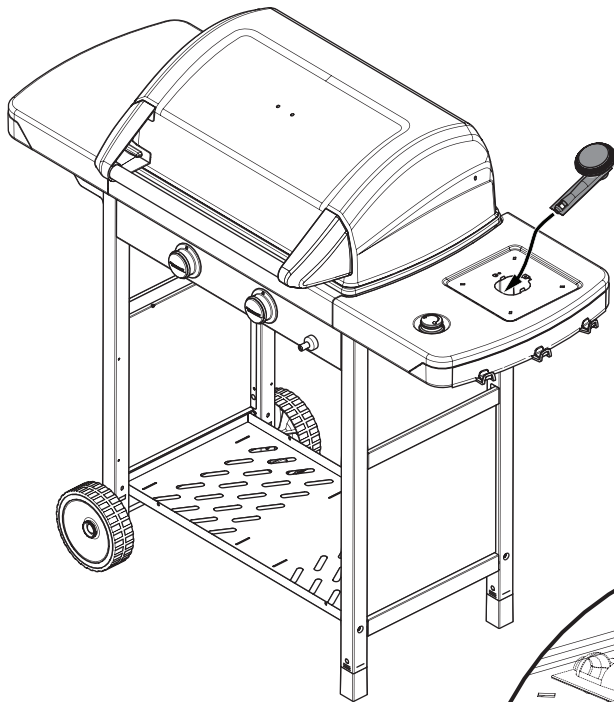
X1



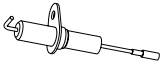
19



X1

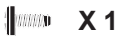


E



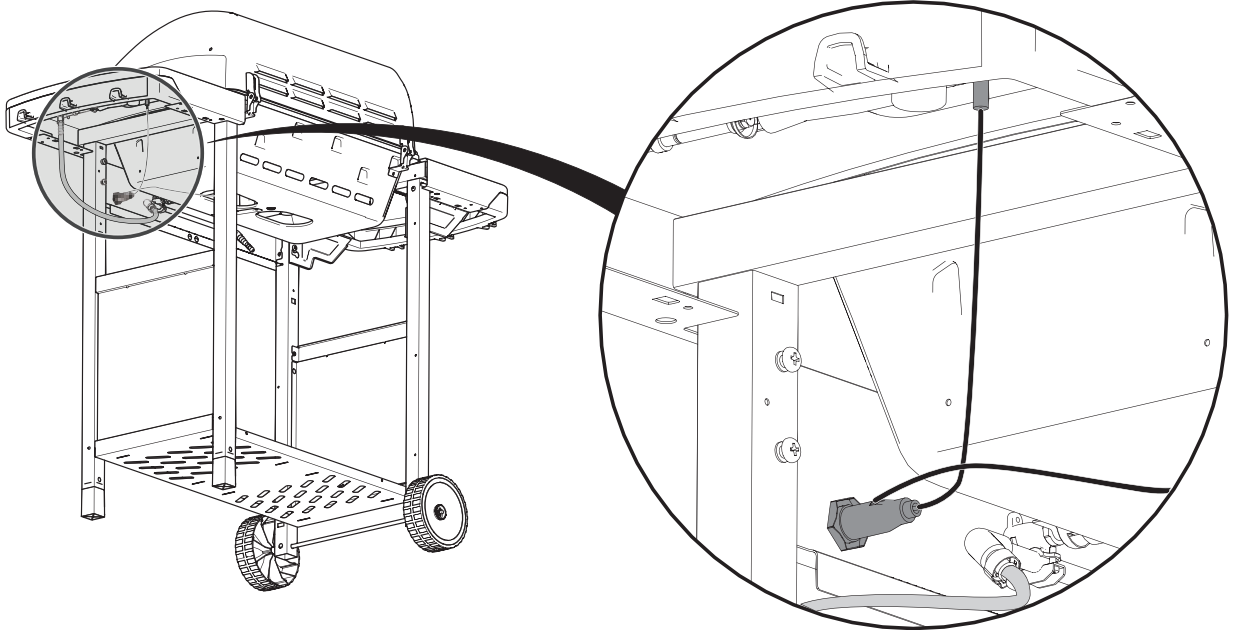
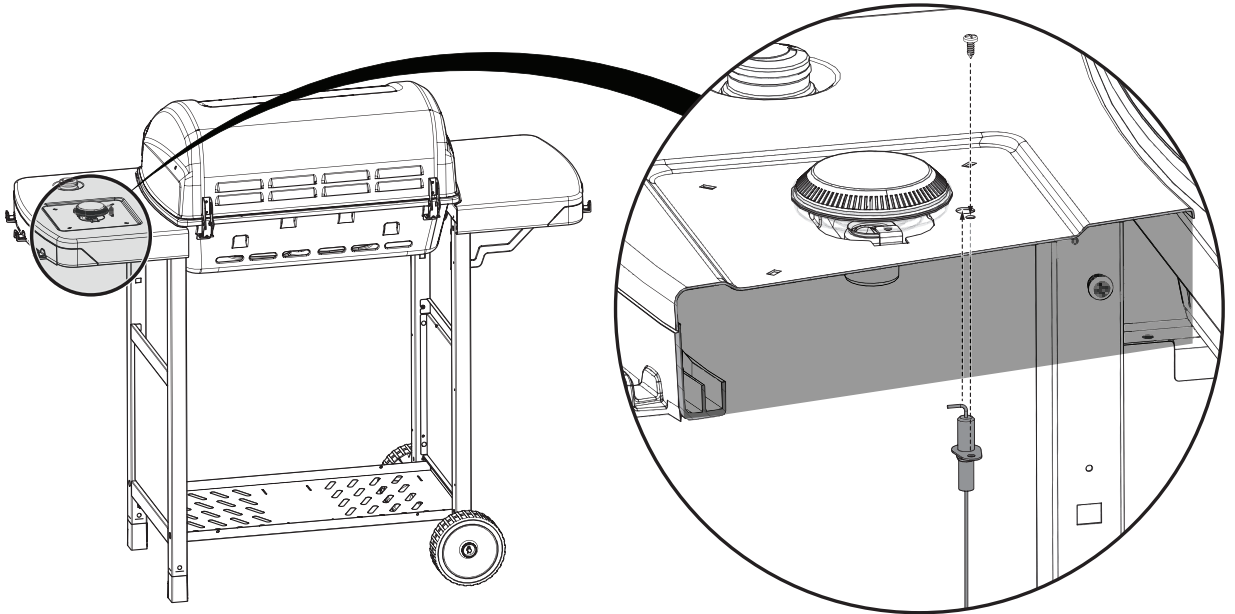
X 1

C

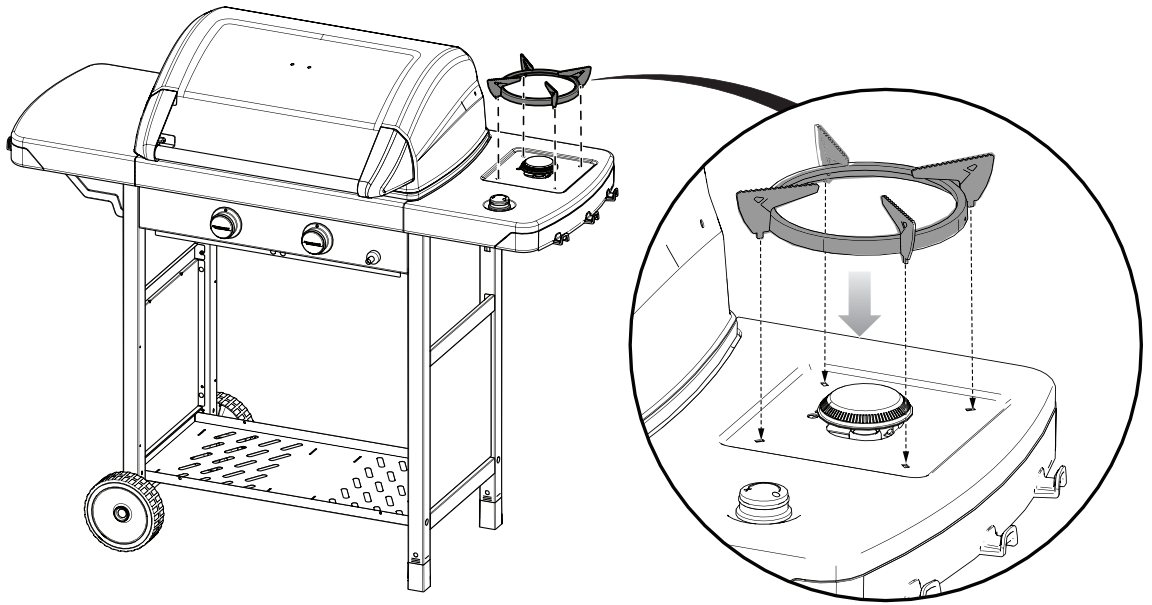


X 1


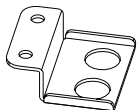


b

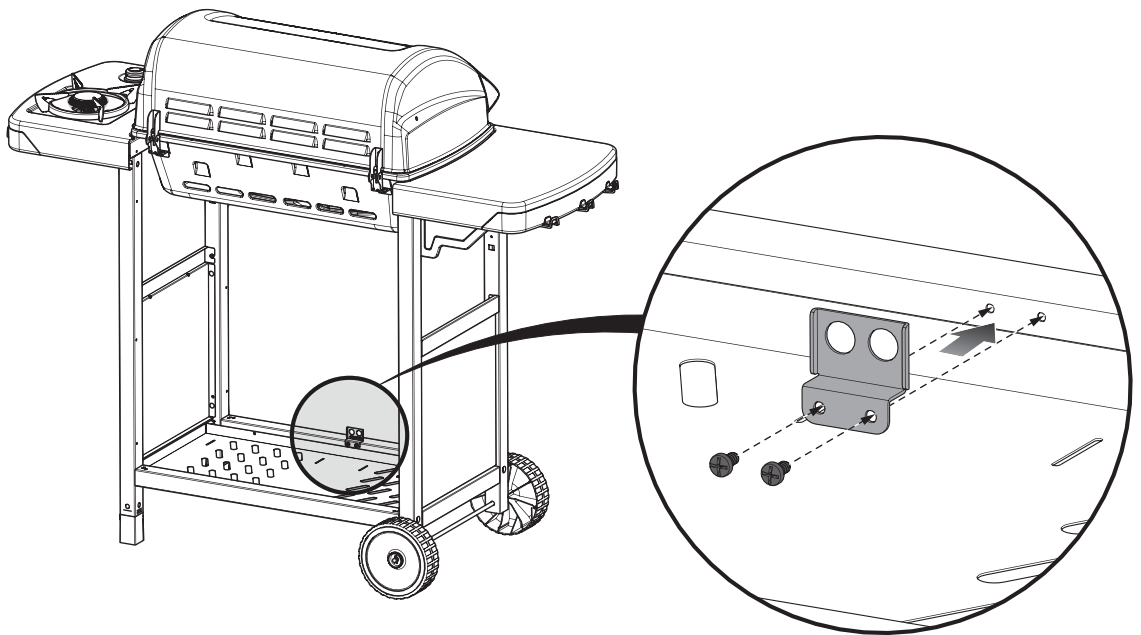


21



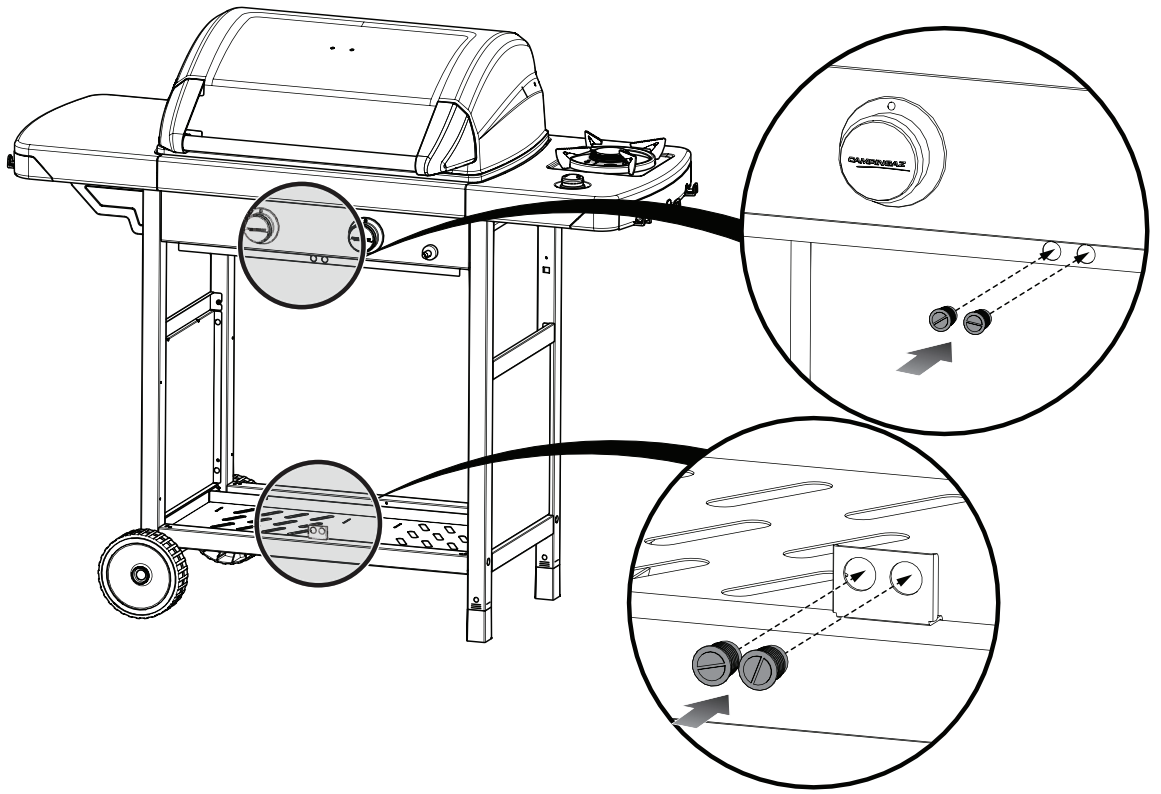
22

-  **D**
-  **C**
- X 1**
-  **C**
-  **X 2**
- b**



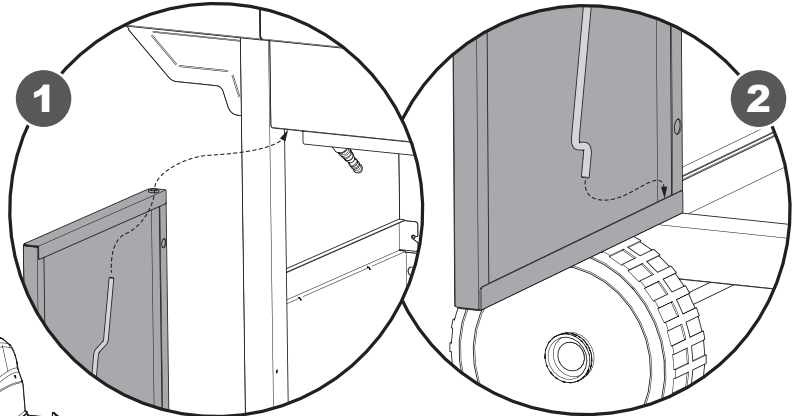
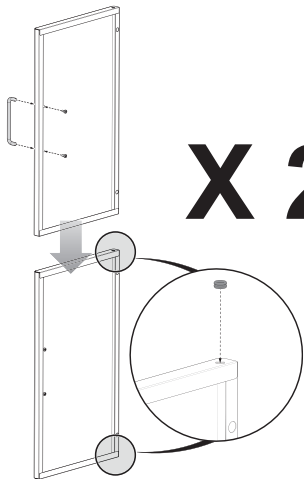


X 4

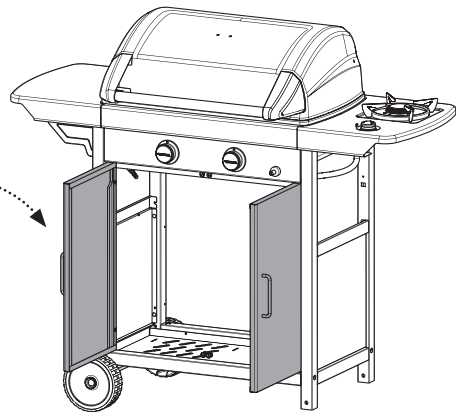
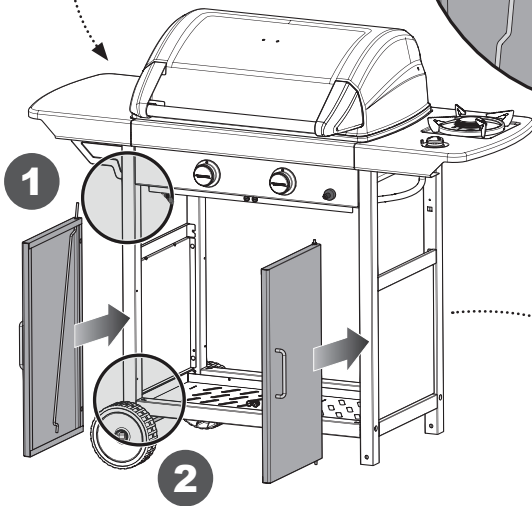


23

X 2

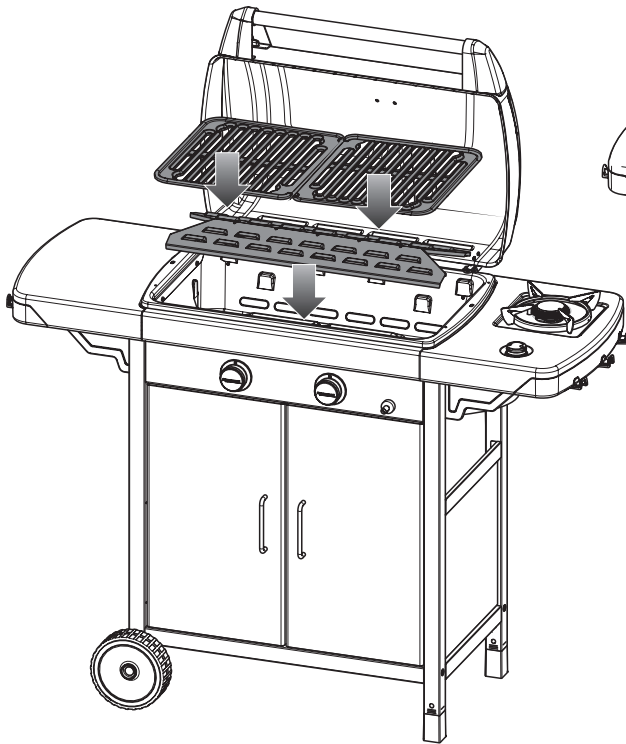


X 4

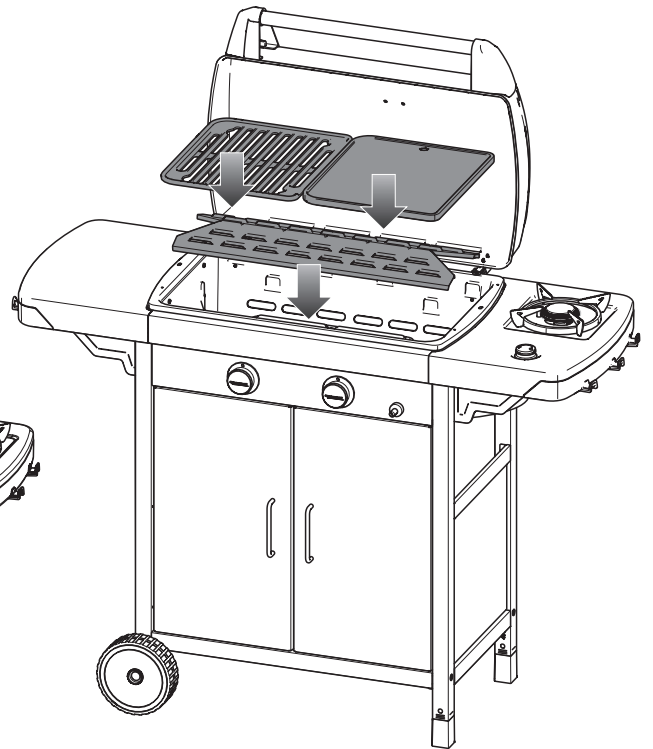


24

2 Classic EXS



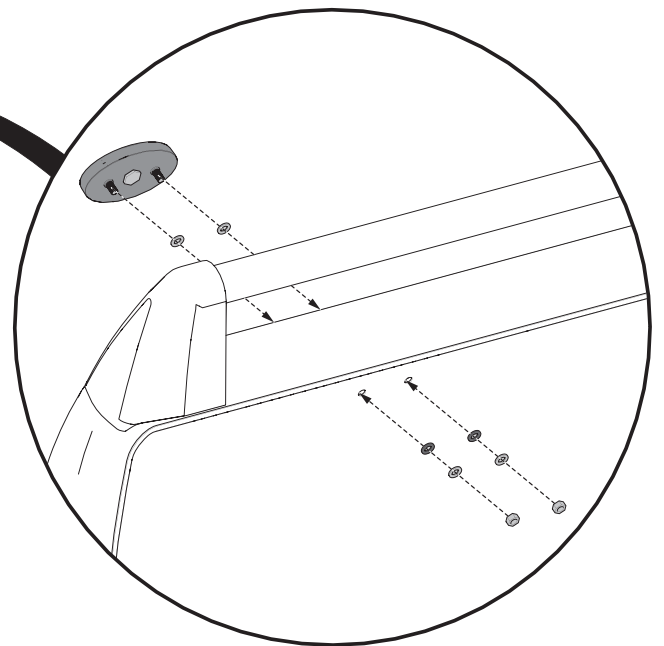
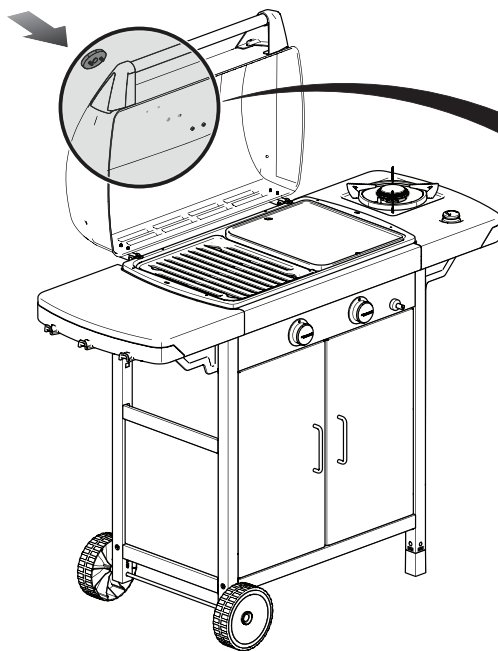
2 Classic EXS Vario



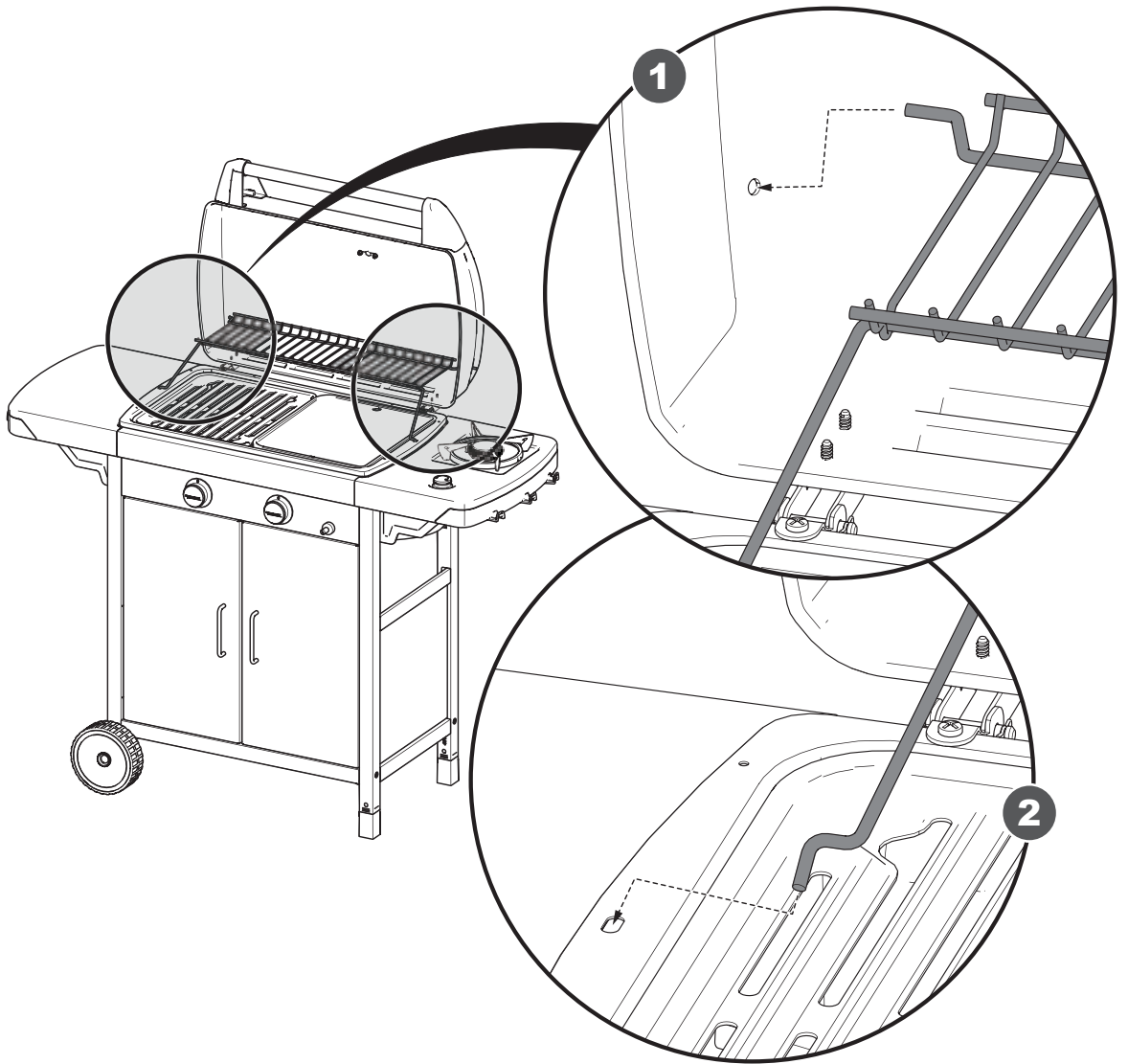
25



X1



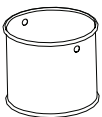
26



27



X 1



X 1

