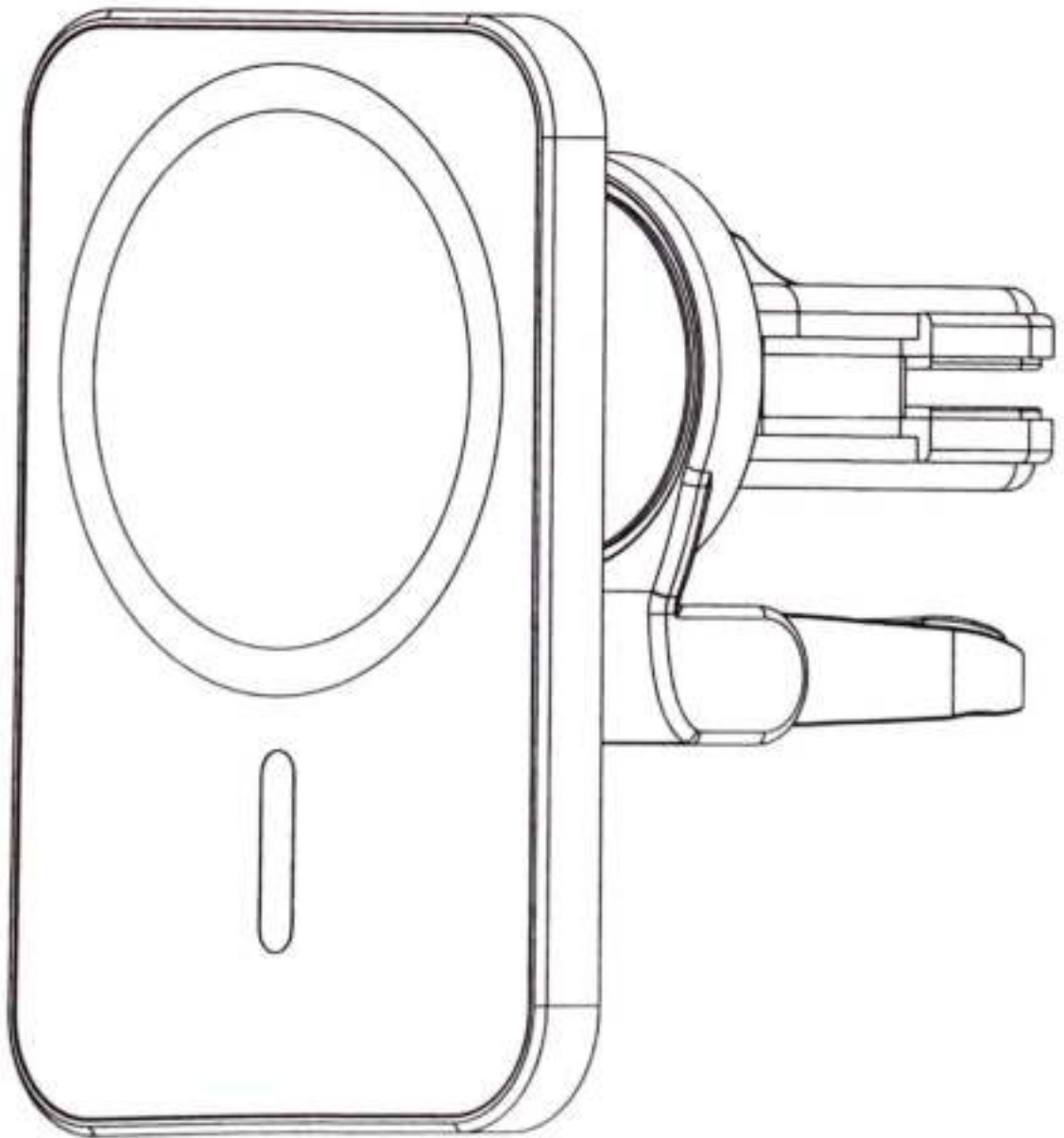
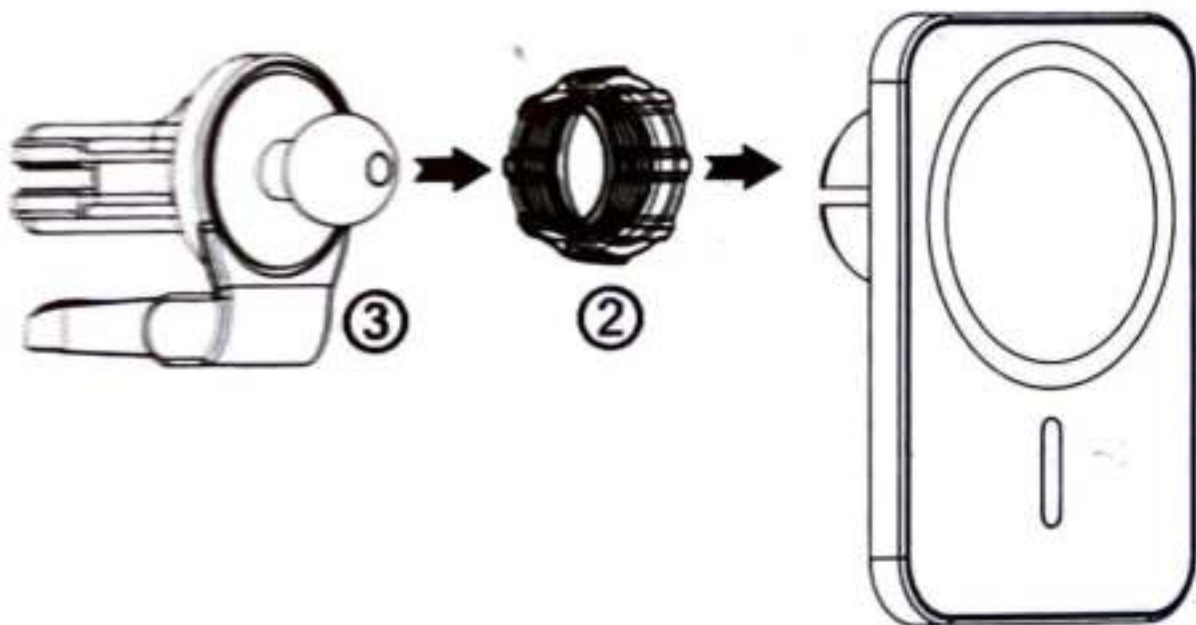


15W

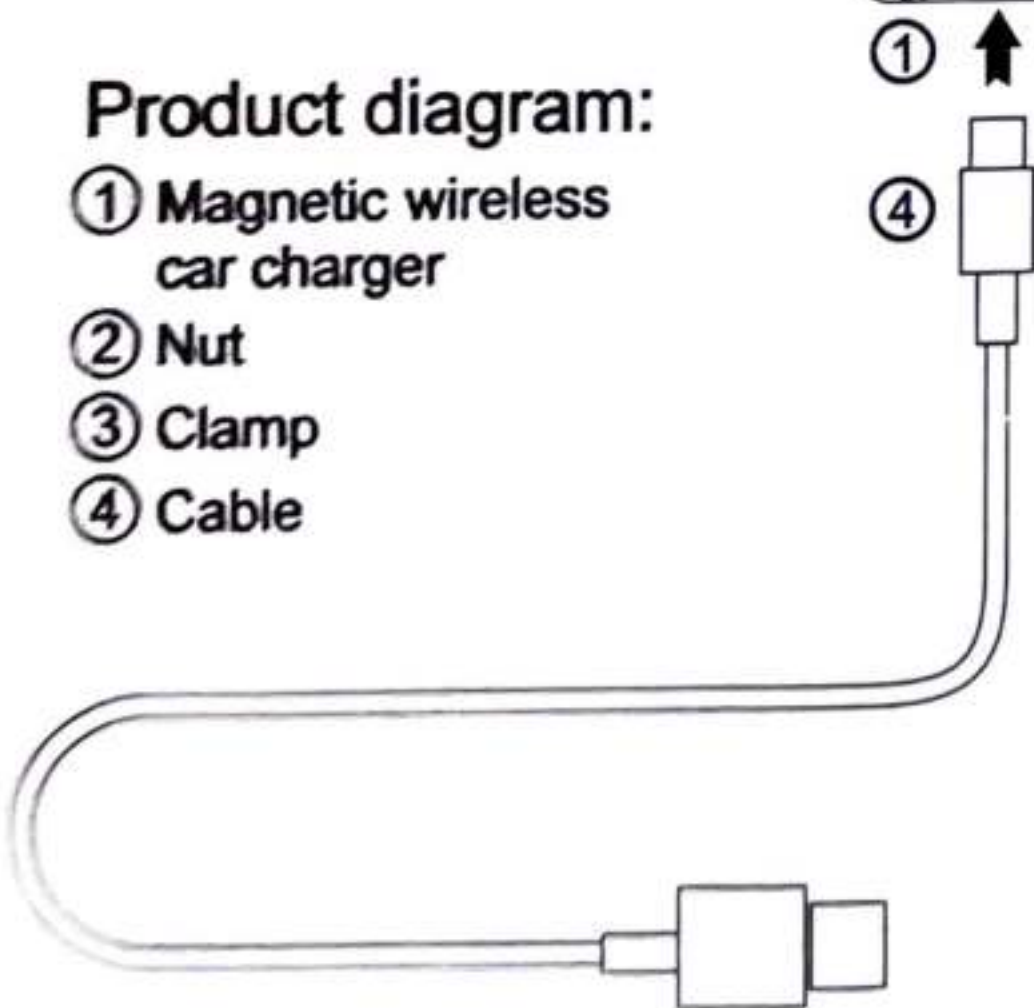
Magnetic wireless car charger
Compatible with 10W/7.5W/5W





Product diagram:

- ① Magnetic wireless car charger
- ② Nut
- ③ Clamp
- ④ Cable



Specifications:

- Input interface: USB Car charger
- Input: 9V==2A, 5V==2.4A
- Output:15W/10W/7.5W/5W
(charging power depends on mobile model)

Product List:

- Magnetic wireless car charger x1
- Cable x1
- Manual x1
- Certification of qualification x1
- Warranty card x1

*Please use the car charging power source in accordance with the national standard with this product.

*Operation Standard:GB4943.1-2011

Warning: For safety, please do not use this product in high temperature and short circuit, please do not drop this product, please do not put this product into the fire;

In addition to the mobile phone with magnetic suction function , users please buy special magnetic suction mobile phones protective cover for other mobile phones to support use.

Description:

Wireless charger for smart phones conforming to the Qi-standard.

Easy to charge your phone without cables, just put your phone on the charging plate.

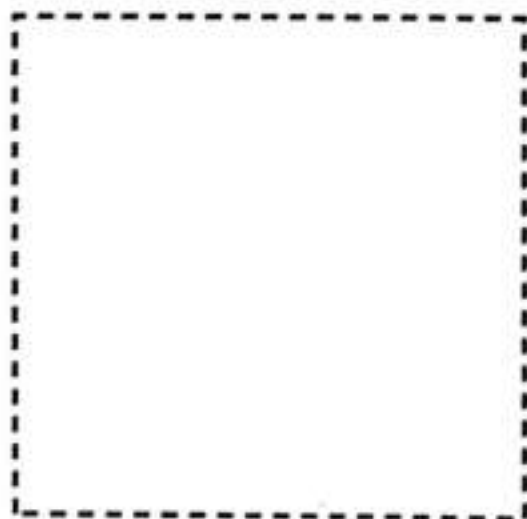
Specifications:

Input: please refer to the printing on the back cover of the charging plate.

Compatible with the Qi-standard.

Power supply:

Qualified AC adapter is strongly recommended.



**Video for
operation instruction**
Please scan the QR code