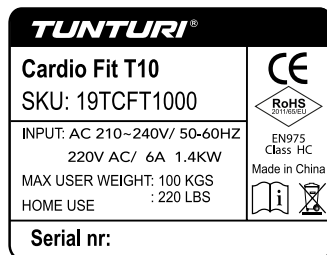


# TUNTURI®

## Cardio Fit T10

<b>GB</b>	<b>User manual</b>	<b>12 - 18</b>
DE	Benutzerhandbuch	19 - 26
FR	Manuel de l'utilisateur	27 - 34
NL	Gebruikershandleiding	35 - 42
IT	Manuale d'uso	43 - 49
ES	Manual del usuario	50 - 56
SV	Bruksanvisning	57 - 63
SU	Käyttöohje	64 - 70



**Attention, Achtung, Attention, Attentie, Attenzione, Atención, Giv akt, Huomio**

- Please read this user manual carefully prior to using this product.
- Lesen Sie sich vor dem Gebrauch des Produkts diese Bedienungsanleitung sorgfältig durch.
- Veuillez lire attentivement le présent manuel de l'utilisateur avant d'utiliser ce produit.
- Lees deze gebruikershandleiding zorgvuldig voordat u dit product gaat gebruiken.
- Leggere attentamente questo manuale dell'utente prima di utilizzare il prodotto.
- Antes de utilizar este producto, lea atentamente este manual de usuario.
- Läs den här användarhandboken noggrant före användning av den här produkten.
- Lue tämä käyttöohje huolellisesti ennen tämän tuotteen käyttöä.

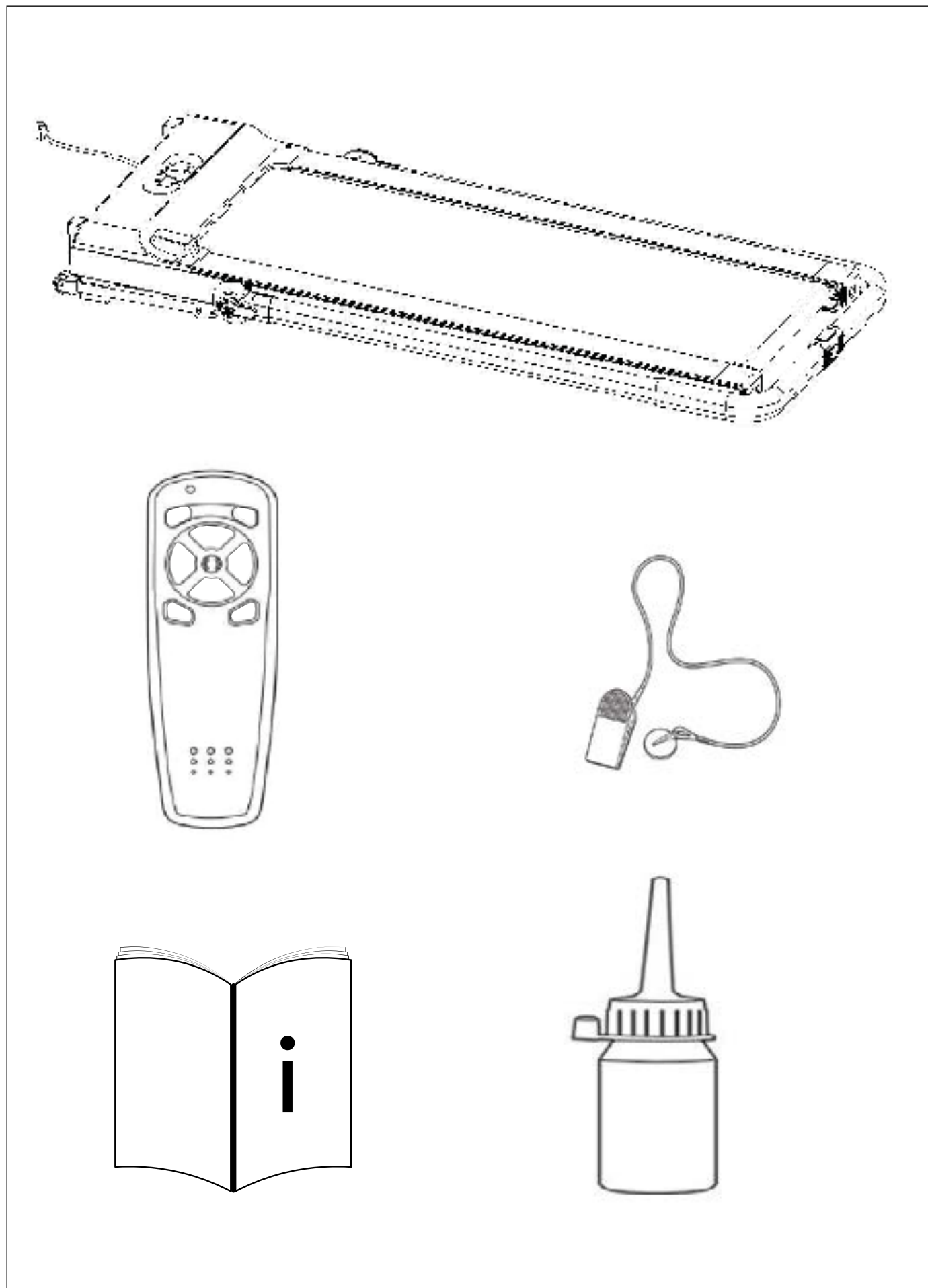




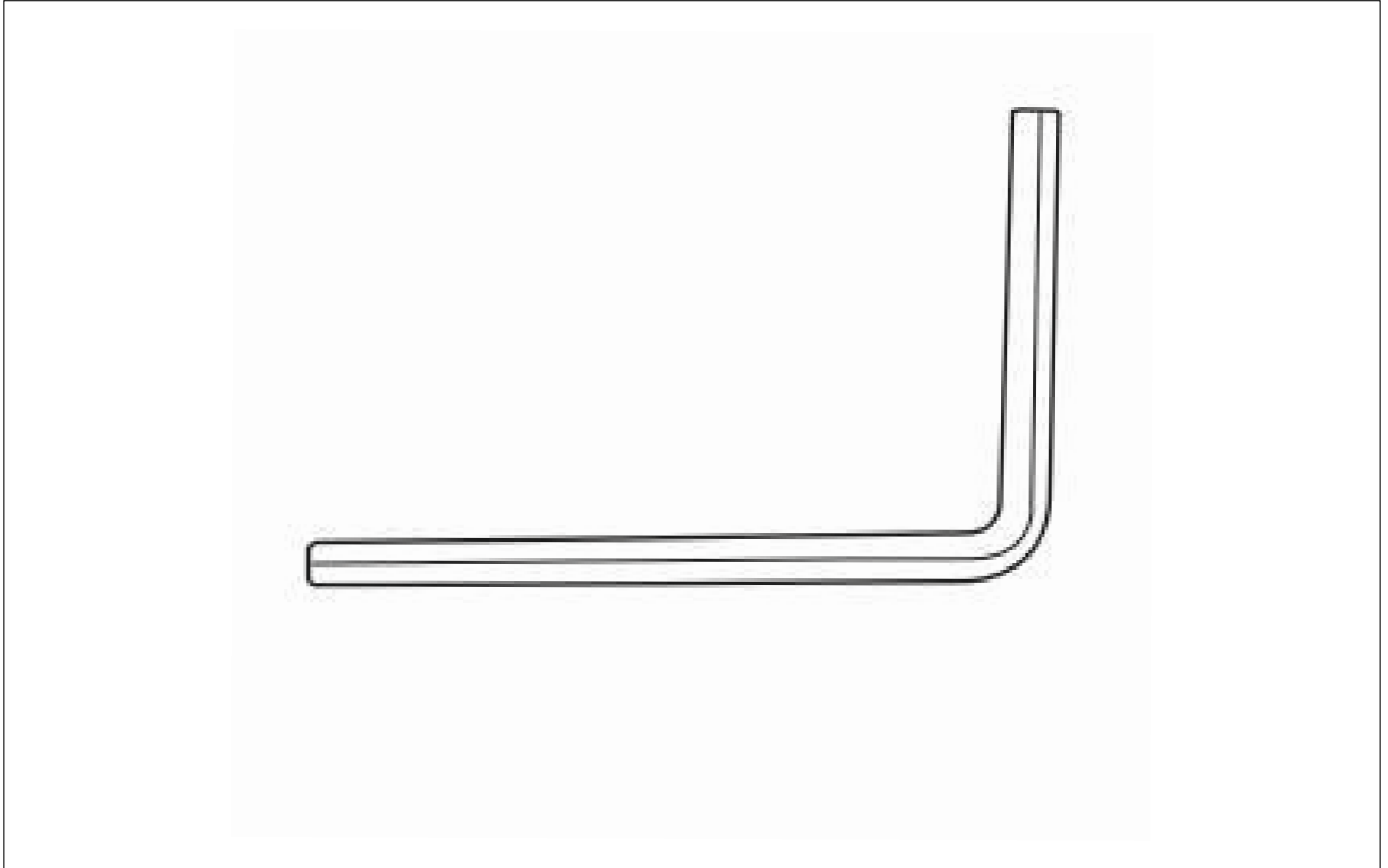
A



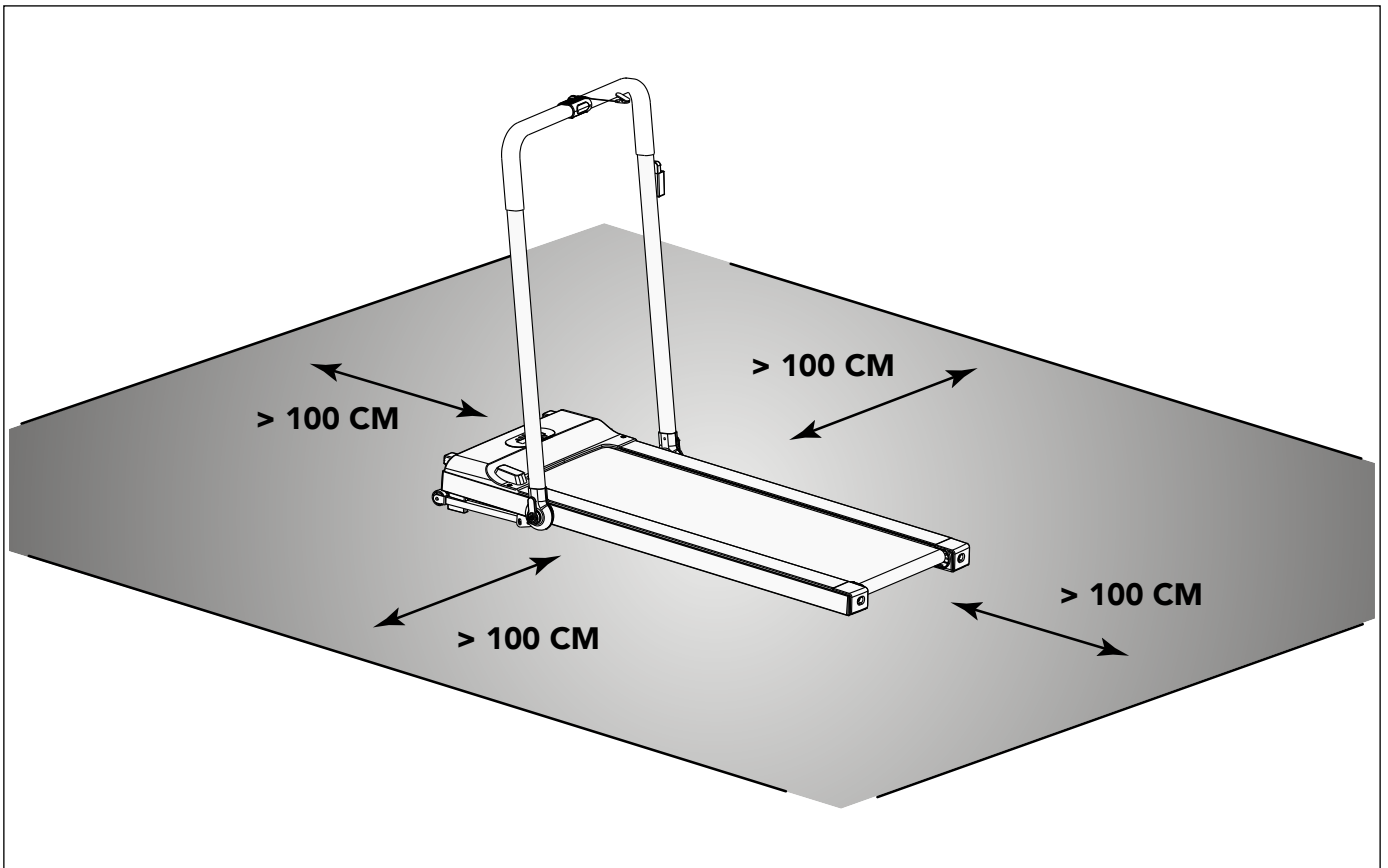
**B**



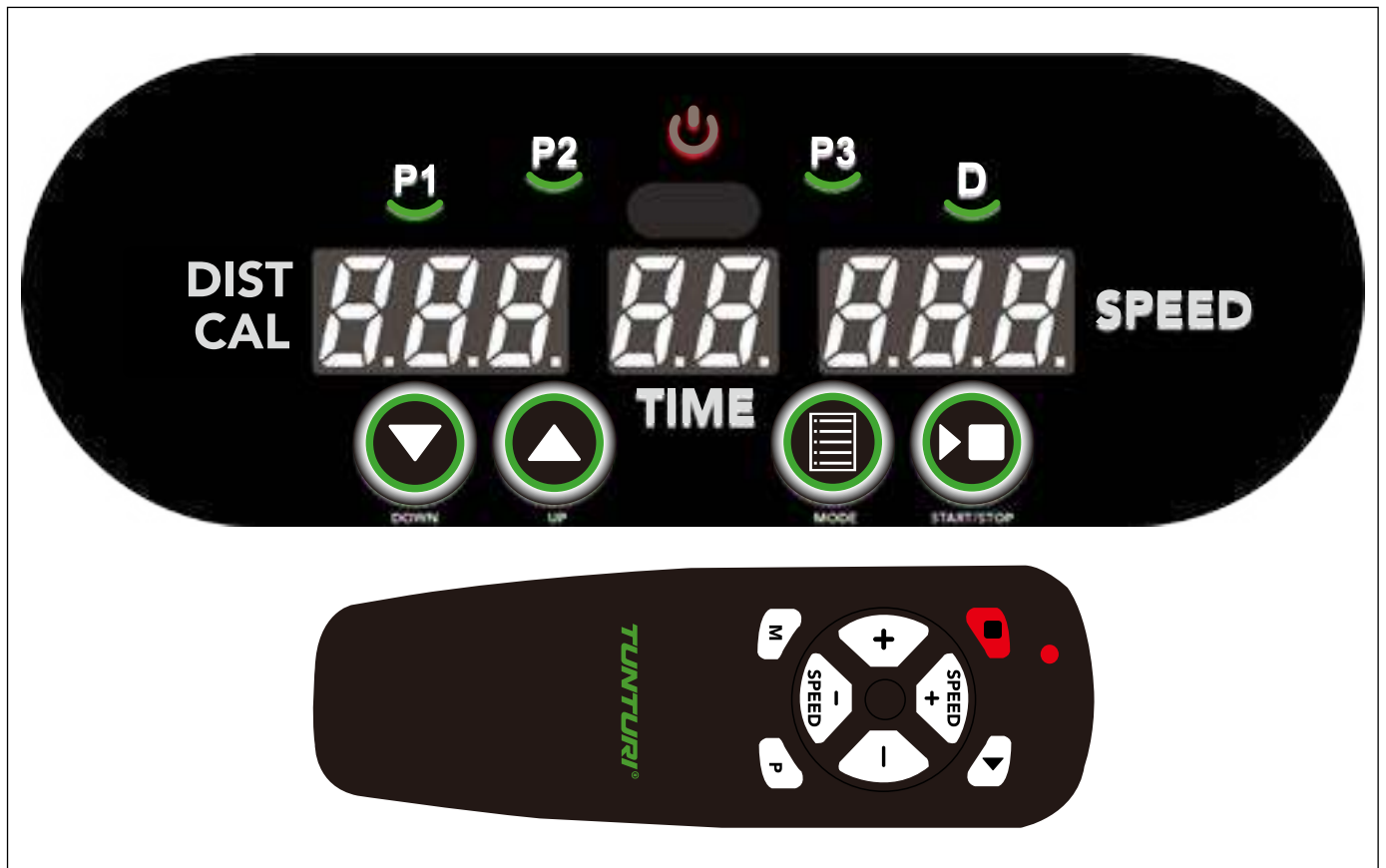
C



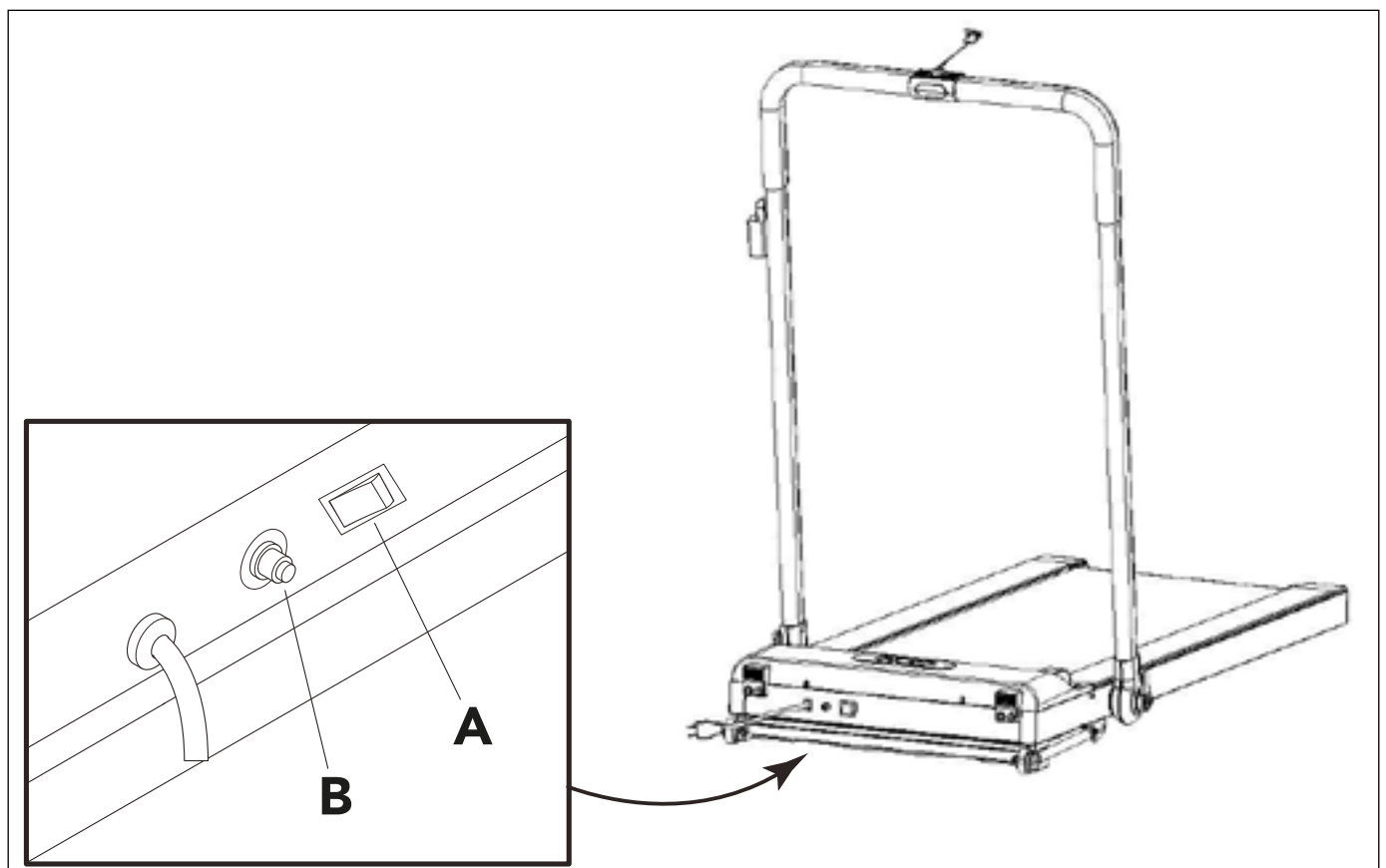
D-0



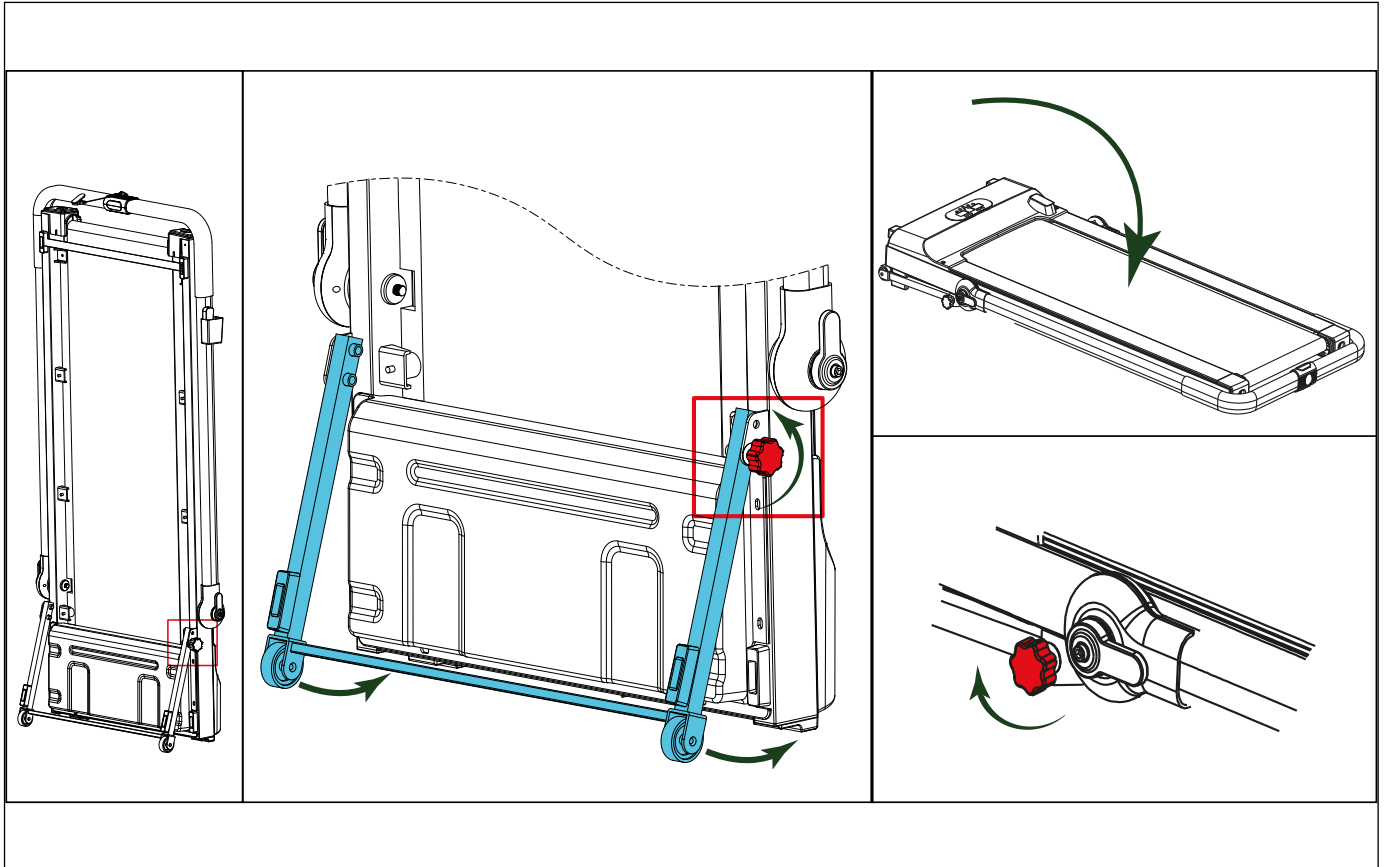
# E-1



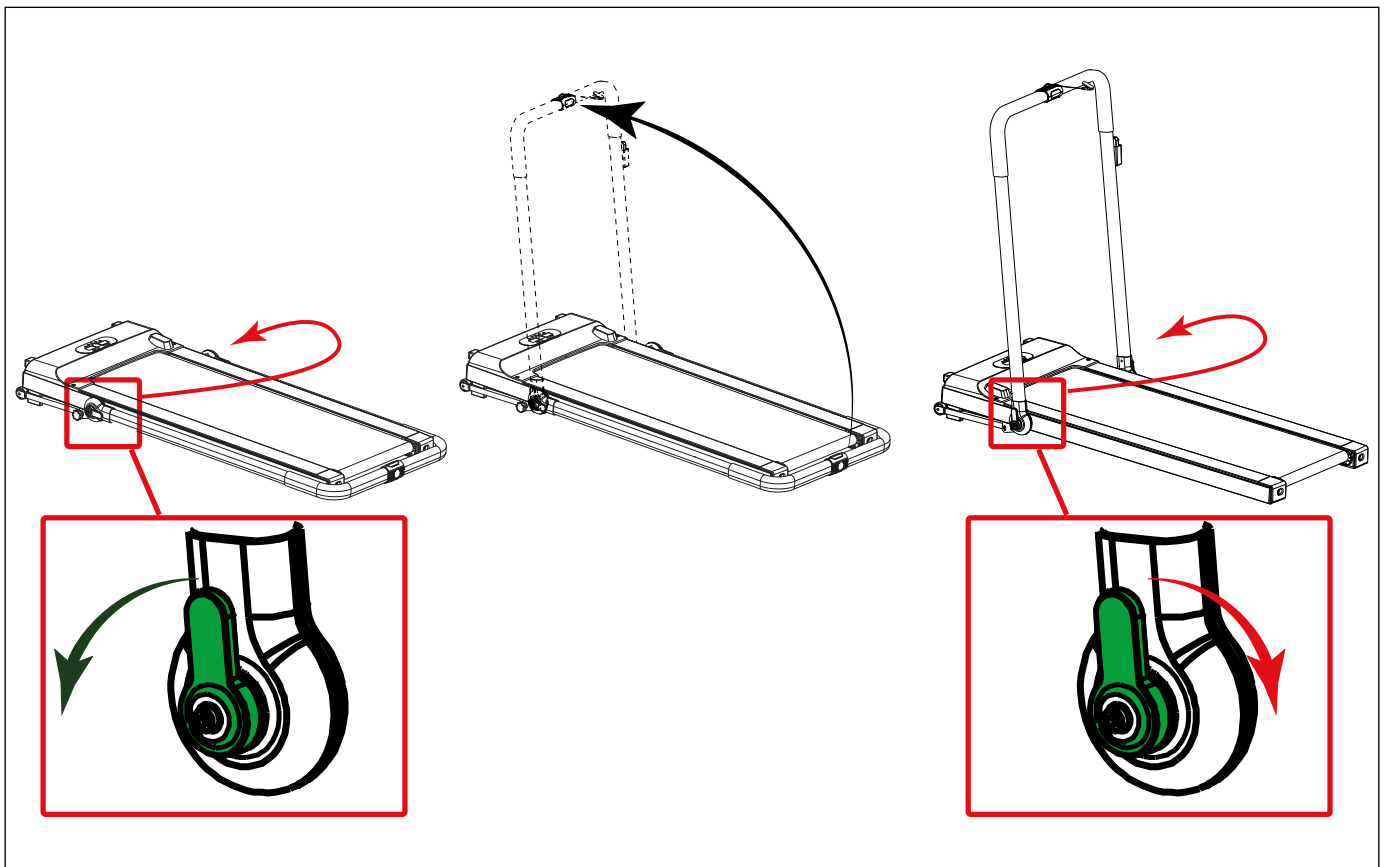
# E-2



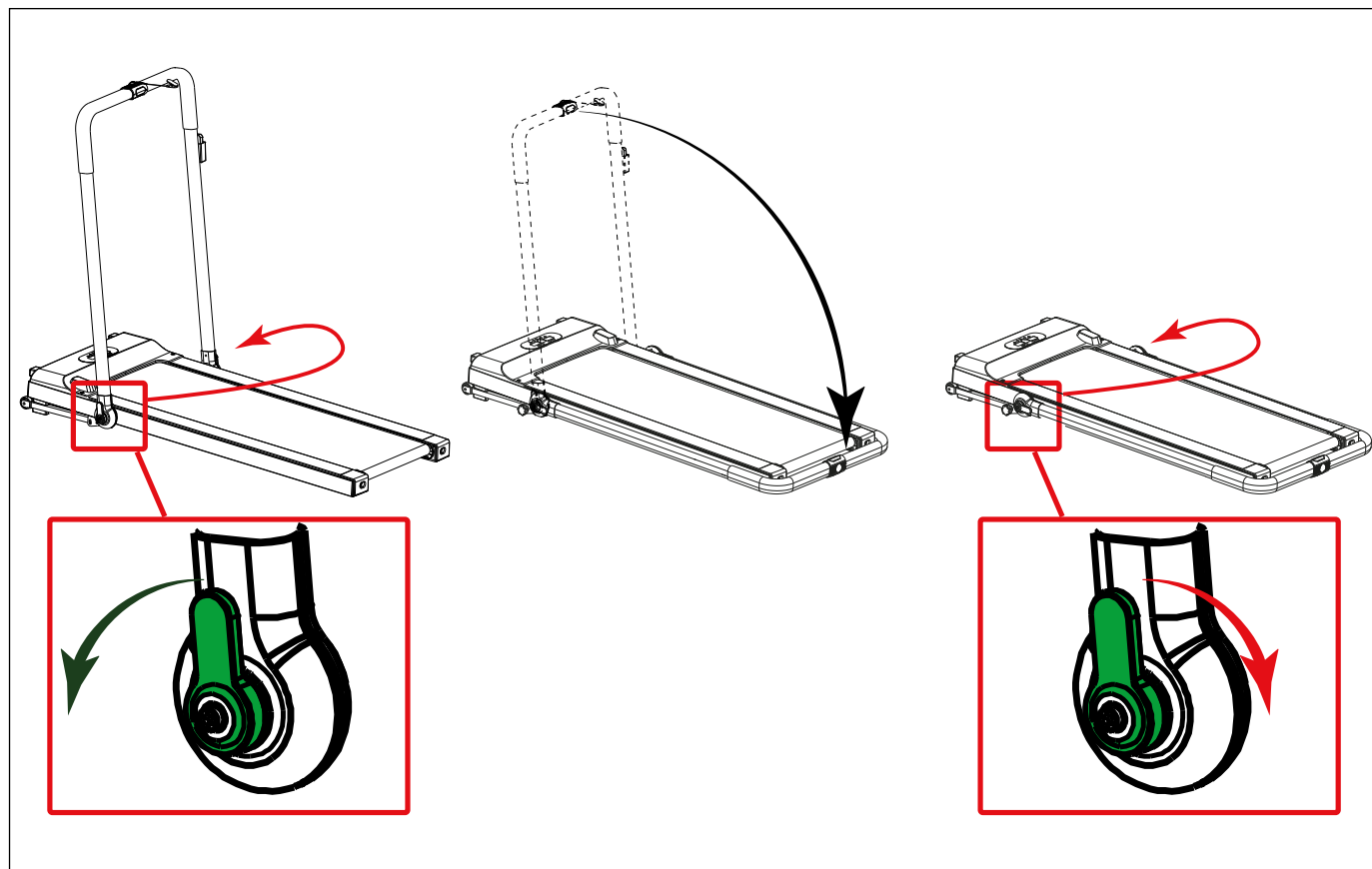
# F-1A



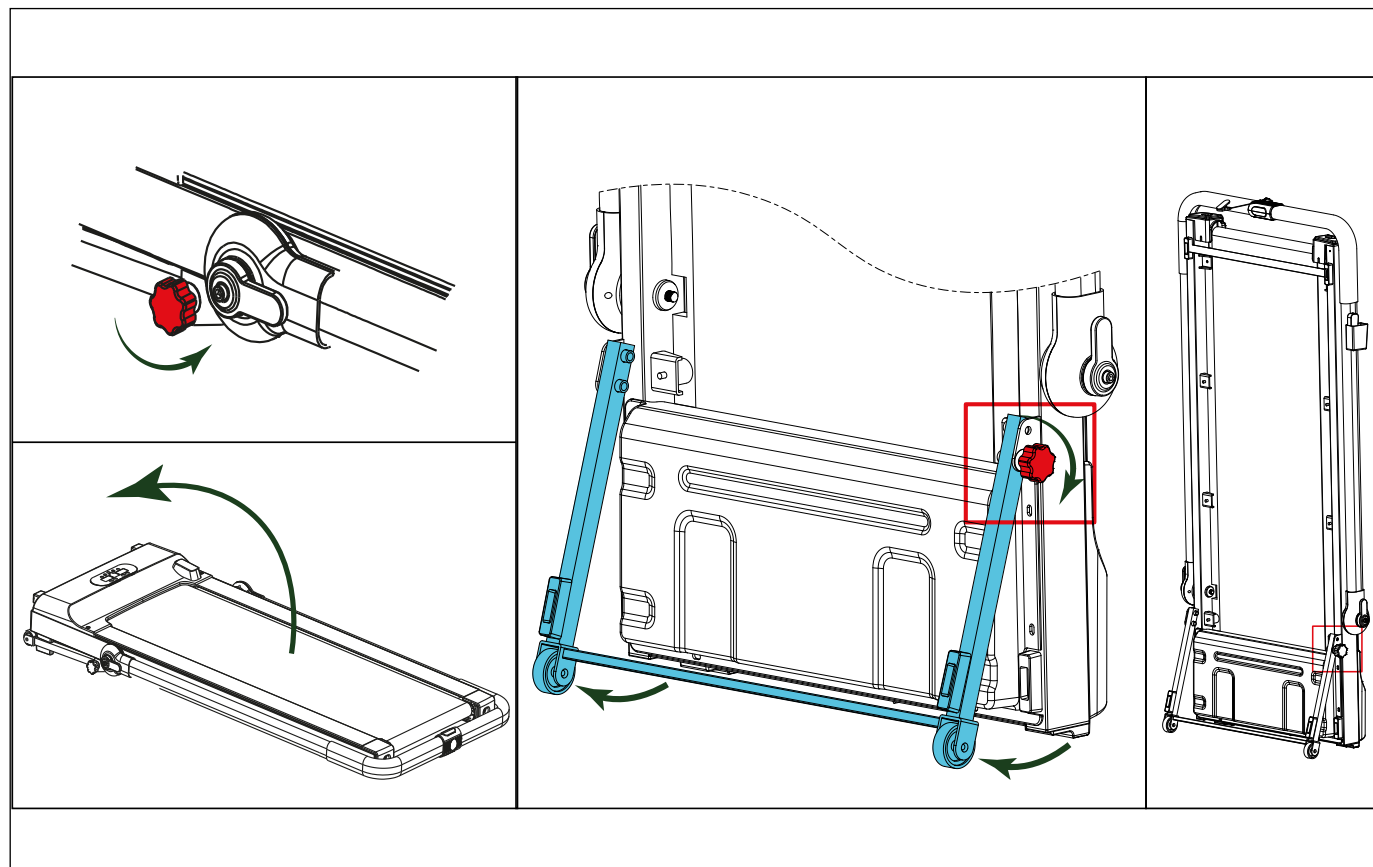
# F-1B



## F-2A

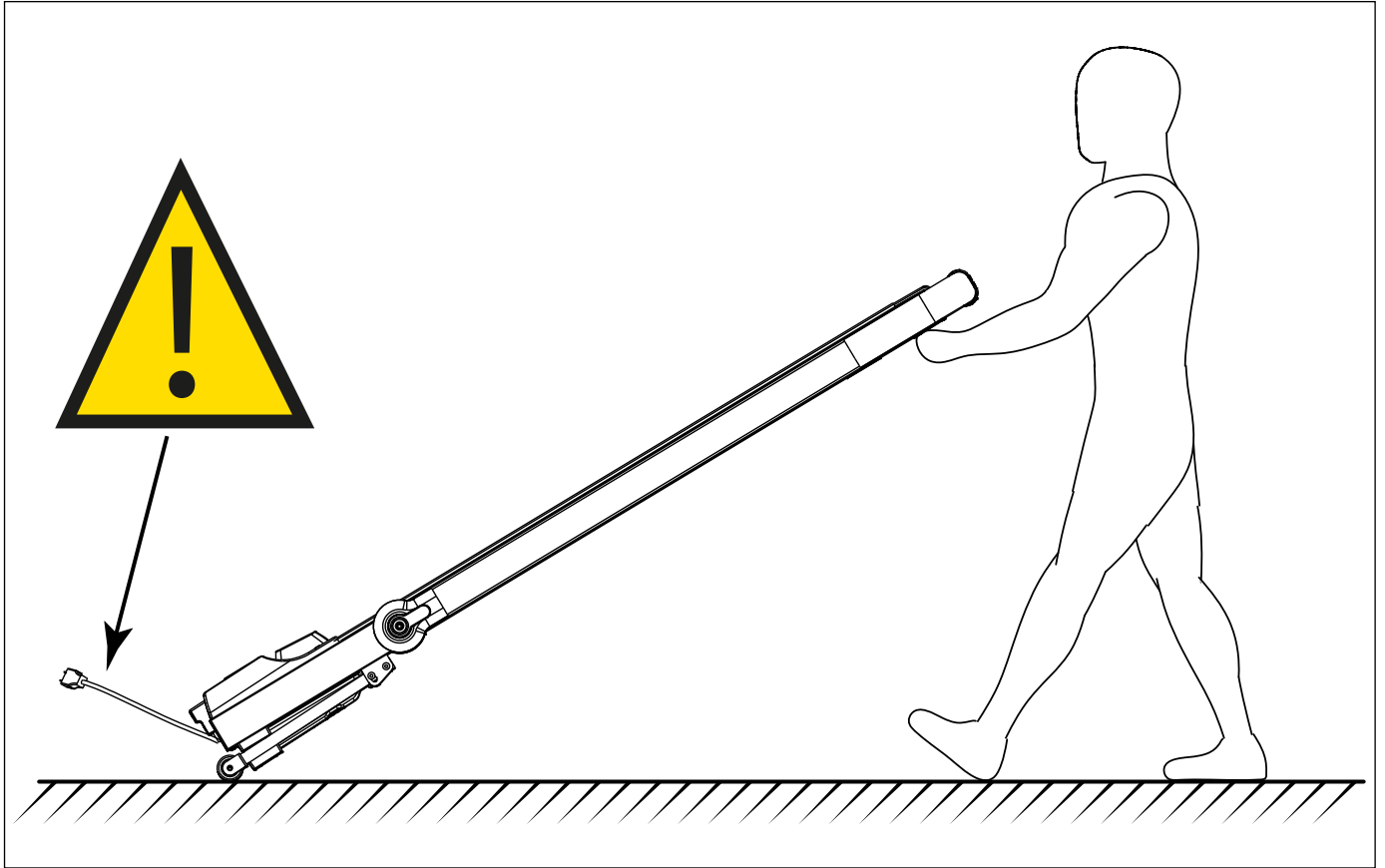


## F-2B

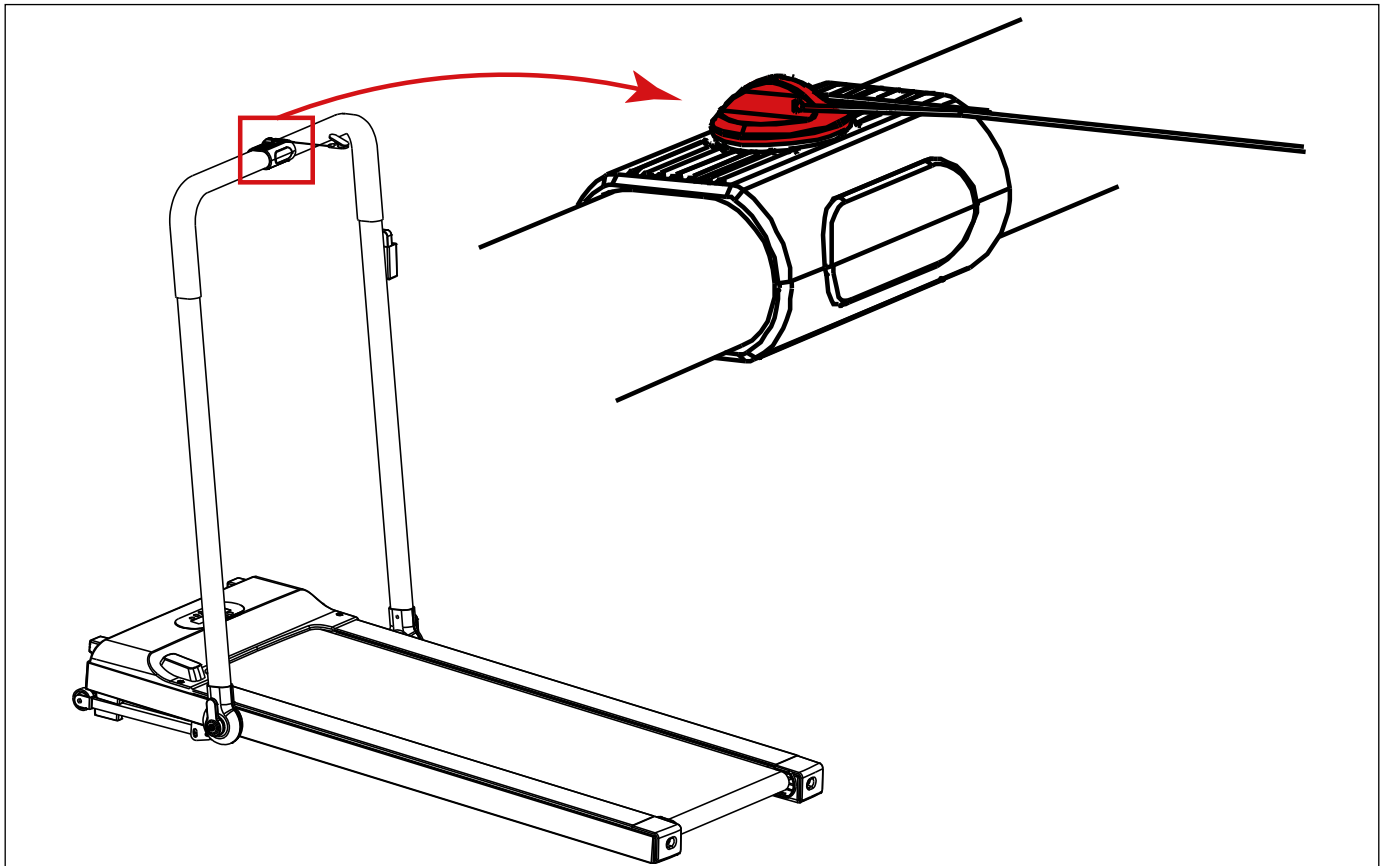




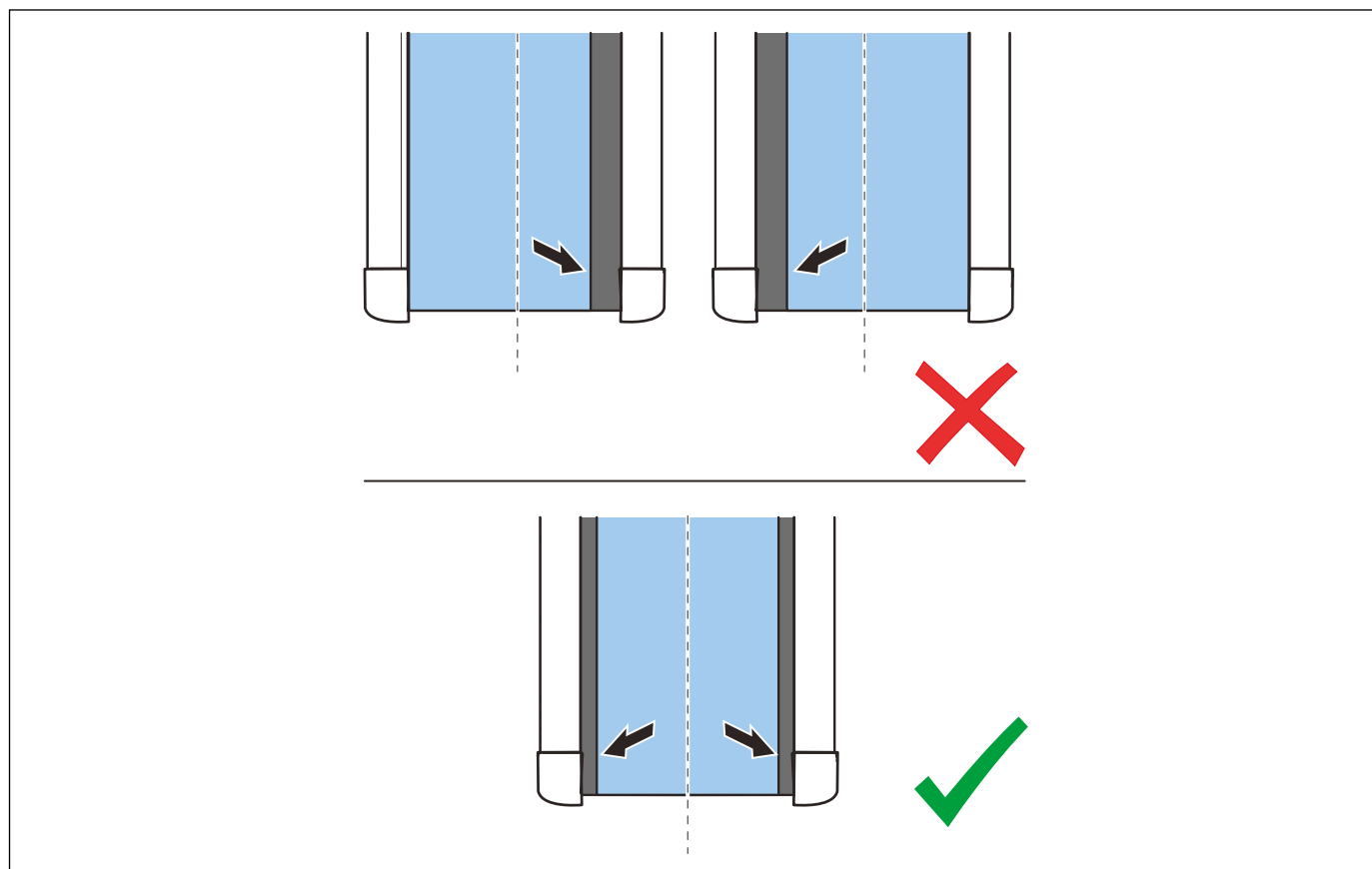
### F-3



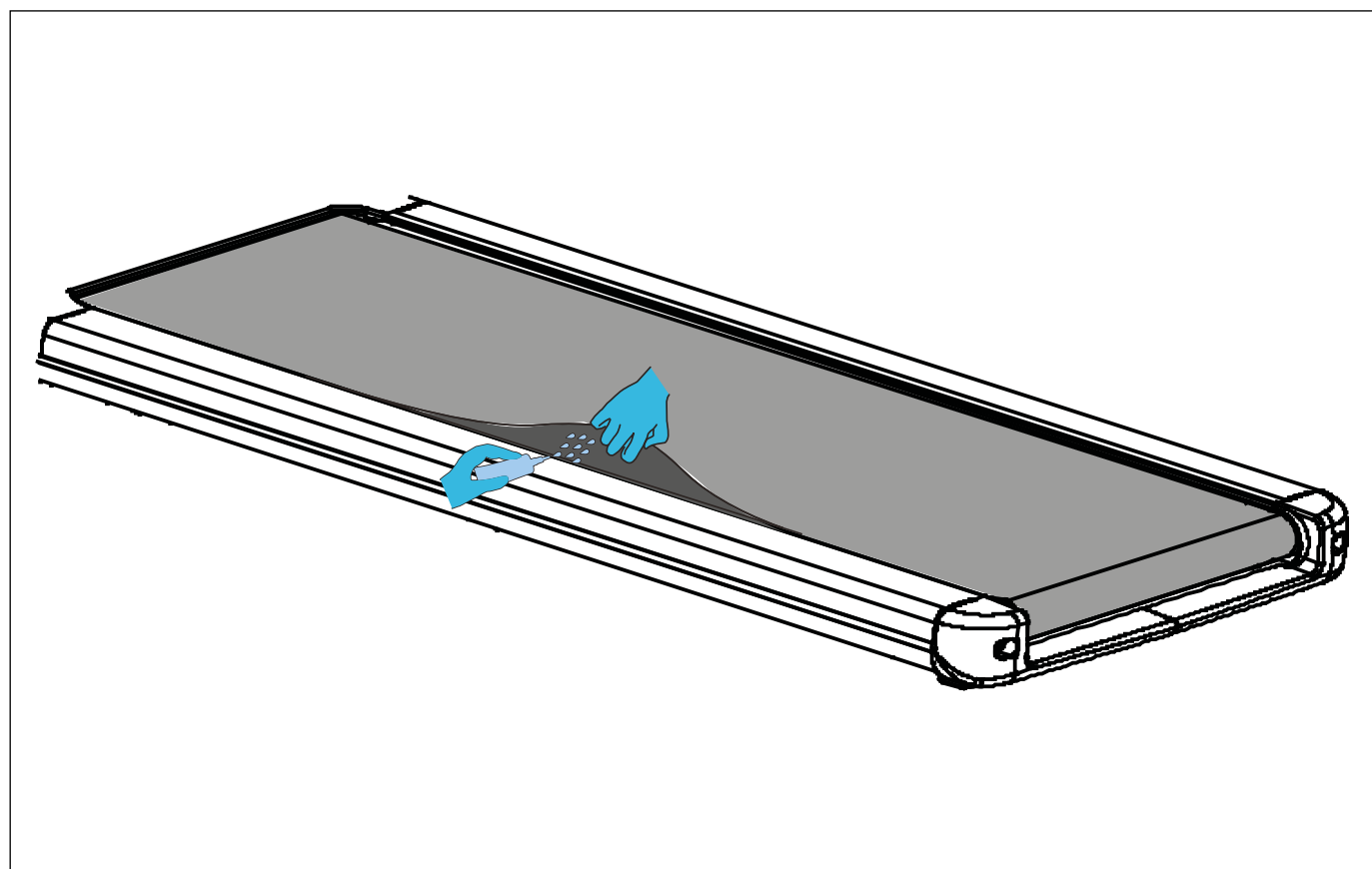
### F-4



## F-5

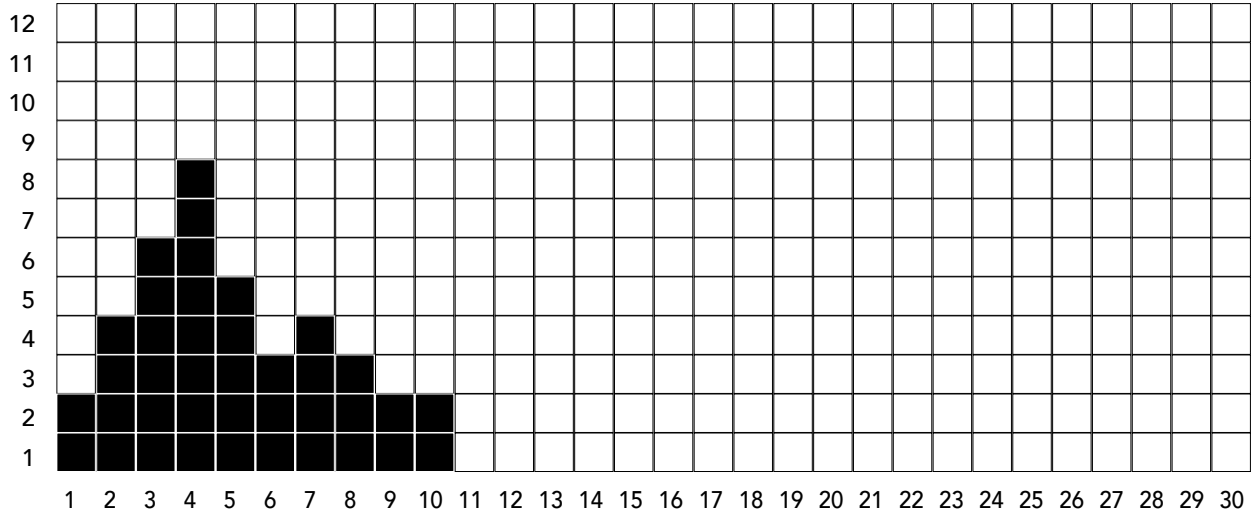


## F-6

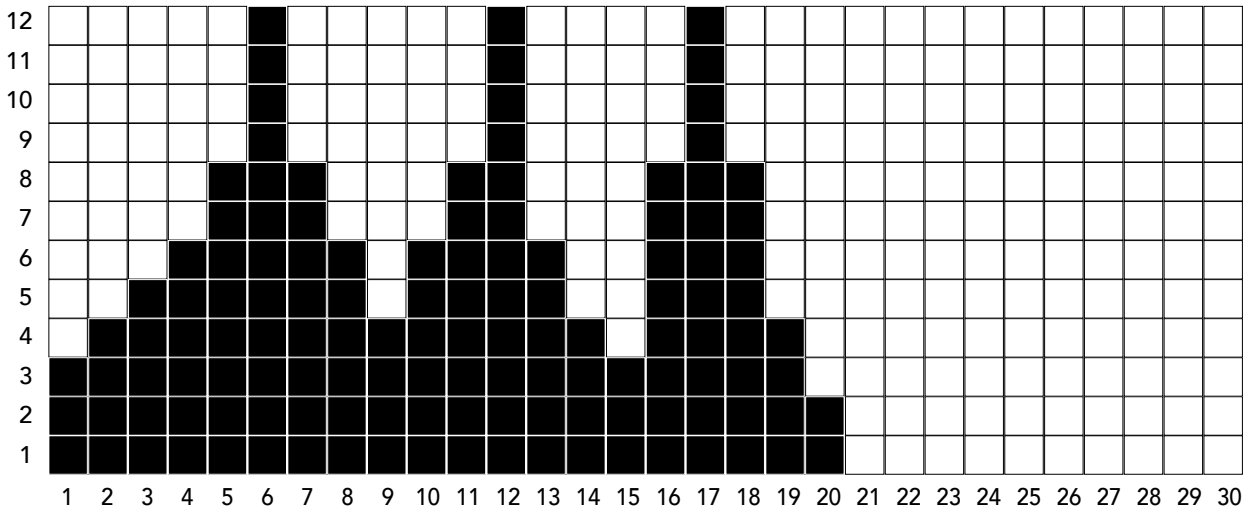


G

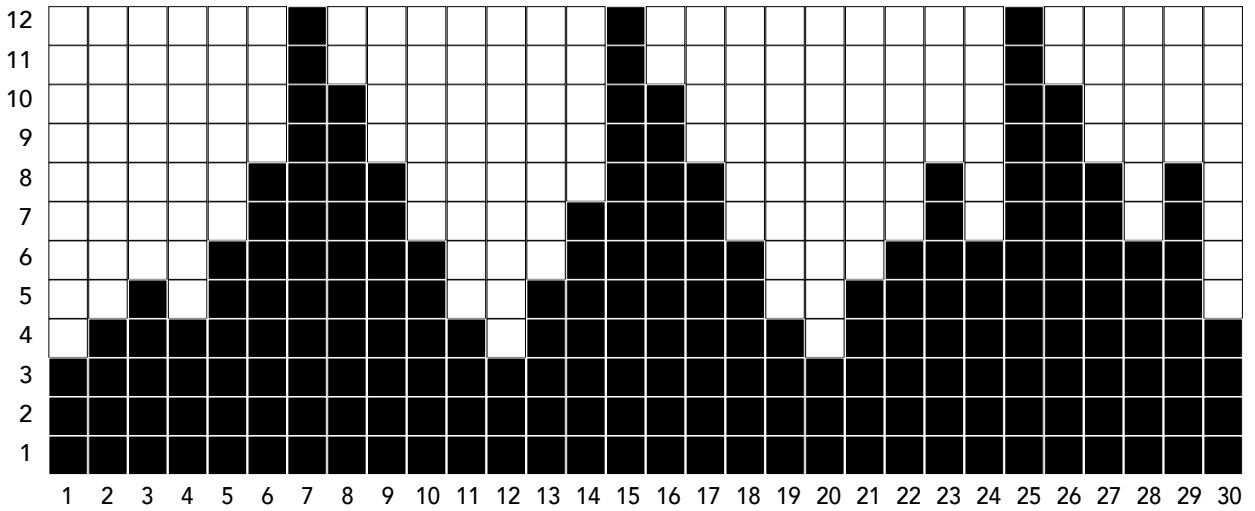
P1 : 10 min.



P2 : 20 min.



P3 : 30 min.



## Index

<b>Welcome</b> .....	<b>12</b>
<b>Safety warnings</b> .....	<b>12</b>
Electrical safety .....	12
<b>Assembly instructions</b> .....	<b>13</b>
Description illustration A .....	13
Description illustration B .....	13
Description illustration C .....	13
Assembly (fig. D) .....	13
<b>Workouts</b> .....	<b>13</b>
Exercise Instructions .....	13
<b>Use</b> .....	<b>14</b>
Folding & Unfolding the equipment. ....	14
<b>Console (fig. E-1)</b> .....	<b>15</b>
Display Buttons .....	15
Remote control Buttons .....	15
Explanation of display items (Fig. E-1) .....	15
Pre-set Programs (P1~P3) .....	16
<b>Warranty</b> .....	<b>16</b>
<b>Cleaning and maintenance</b> .....	<b>16</b>
Lubrication (fig. F-6) .....	16
<b>Troubleshooting</b> .....	<b>17</b>
<b>Transport and storage</b> .....	<b>17</b>
Additional information .....	17
<b>Technical data</b> .....	<b>18</b>
<b>Declaration of the manufacturer</b> .....	<b>18</b>
<b>Disclaimer</b> .....	<b>18</b>

## Welcome

Welcome to the world of Tunturi!

Thank you for purchasing this piece of Tunturi equipment.

Tunturi offers a wide range of home fitness equipment, including crosstrainers, treadmills, exercise bikes, rowers, strength benches and multi stations. The Tunturi equipment is suitable for the entire family, no matter what fitness level. For more information, please visit our website

[www.tunturi.com](http://www.tunturi.com)

### Important Safety Instructions

This Owner's Manual is an essential part of your training equipment: reading all instructions in this manual before you start using this appliance. The following precautions must always be followed:

## Safety warnings

### ⚠ WARNING

- Read the safety warnings and the instructions. Failure to follow the safety warnings and the instructions can cause personal injury or damage to the equipment. Keep the safety warnings and the instructions for future reference.

### ⚠ WARNING

- Heart rate monitoring systems may be inaccurate. Over exercise may result in serious injury or death. If you feel faint stop exercising immediately.

- The equipment is suitable for domestic use only. The equipment is not suitable for commercial use.
- Max. usage is limited to 2 hrs a day.
- The use of this equipment by children or persons with a physical, sensory, mental or motorial disability, or lack of experience and knowledge can give cause to hazards. Persons responsible for their safety must give explicit instructions or supervise the use of the equipment.
- Before starting your workout, consult a physician to check your health.
- If you experience nausea, dizziness or other abnormal symptoms, immediately stop your workout and consult a physician.
- To avoid muscular pain and strain, start each workout by warming up and finish each workout by cooling down. Remember to stretch at the end of the workout.
- The equipment is suitable for indoor use only. The equipment is not suitable for outdoor use.
- Only use the equipment in environments with adequate ventilation. Do not use the equipment in draughty environments in order not to catch a cold.
- Only use the equipment in environments with ambient temperatures between 10 °C~35 °C. Only store the equipment in environments with ambient temperatures between 5 °C~45 °C.
- Do not use or store the equipment in humid surroundings. The air humidity must never be more than 80%.
- Only use the equipment for its intended purpose. Do not use the equipment for other purposes than described in the manual.
- Do not use the equipment if any part is damaged or defective. If a part is damaged or defective, contact your dealer.
- Keep your hands, feet and other body parts away from the moving parts.
- Keep your hair away from the moving parts.
- Wear appropriate clothing and shoes.
- Keep clothing, jewellery and other objects away from the moving parts.
- Make sure that only one person uses the equipment at a time. The equipment must not be used by persons weighing more than 100 kg (220 lbs).
- Do not open equipment without consulting your dealer.

## Electrical safety

(Only for equipment with electric power)

- Before use, always check that the mains voltage is the same as the voltage on the rating plate of the equipment.
- Do not use an extension cable.
- Keep the mains cable away from heat, oil and sharp edges.
- Do not alter or modify the mains cable or the mains plug.
- Do not use the equipment if the mains cable or the mains plug is damaged or defective. If the mains cable or the mains plug is damaged or defective, contact your dealer.
- Always fully unwind the mains cable.
- Do not run the mains cable underneath the equipment. Do not run the mains cable underneath a carpet. Do not place any objects on the mains cable.
- Make sure that the mains cable does not hang over the edge of a table.
- Make sure that the mains cable cannot be caught accidentally or tripped over.
- Do not leave the equipment unattended when the mains plug is inserted into the wall socket.
- Do not pull the mains cable to remove the mains plug from the wall socket.
- Remove the mains plug from the wall socket when the equipment is not in use, before assembly or disassembly and before cleaning and maintenance.

**⚠ CAUTION**

- If voltage varies by ten percent (10%) or more, the performance of your treadmill may be affected. Such conditions are not covered under your warranty. If you suspect the voltage is low, contact your local power company or a licensed electrician for proper testing.

**⚠ CAUTION**

- Route the power mains cord away from any moving part of the treadmill including the elevation mechanism and transport wheels.

**Grounding Instructions**

This product must be grounded. If the treadmill's electrical system should malfunction or breakdown grounding provides a path of least resistance for electric current, reducing the risk of electric shock. This product is equipped with a cord having an equipment-grounding plug. The plug must be plugged into an appropriate outlet that is properly installed and grounded in accordance with all local codes and ordinances.

**⚠ WARNING**

- Improper connection of the equipment-grounding conductor can result in a risk of electric shock. Check with a qualified electrician or serviceman if you are in doubt as to whether the product is properly grounded. Do not modify the plug provided with the product if it will not fit the outlet; have a proper outlet installed by a qualified electrician.

**Assembly instructions****Description illustration A**

The illustration shows what the trainer will look like after the assembly is completed.

You can use this as a reference during your assembly, but do follow the assembly steps always in the correct sequence as showed in the illustrations.

**Description illustration B**

The illustration shows what components and parts you should find when un-boxing your product.

**🔧 NOTE**

- Small parts can be hidden/ packed in hollow spaces in the Styrofoam product protection
- If a part is missing, contact your dealer.

**Description illustration C**

The illustration shows the hardware kit that comes with your product.

**Assembly (fig. D)**

The product comes fully assembled in the carton.  
The product comes in the folded state in the carton.

**🔧 NOTE**

- To unfold the treadmill see "Folding & Unfolding the equipment" section in this manual.

**⚠ WARNING**

- Carry and move the equipment with at least two persons.

**⚠ CAUTION**

- Place the equipment on a firm, level surface.
- Place the equipment on a protective base to prevent damage to the floor surface.
- Allow at least 100 cm of clearance around the equipment.

**Workouts**

The workout must be suitably light, but of long duration. Aerobic exercise is based on improving the body's maximum oxygen uptake, which in turn improves endurance and fitness. You should perspire, but you should not get out of breath during the workout.

To reach and maintain a basic fitness level, exercise at least three times a week, 30 minutes at a time. Increase the number of exercise sessions to improve your fitness level. It is worthwhile to combine regular exercise with a healthy diet. A person committed to dieting should exercise daily, at first 30 minutes or less at a time, gradually increasing the daily workout time to one hour. Start your workout at low speed and low resistance to prevent the cardiovascular system from being subjected to excessive strain.

As the fitness level improves, speed and resistance can be increased gradually. The efficiency of your exercise can be measured by monitoring your heart rate and your pulse rate.

**Exercise Instructions**

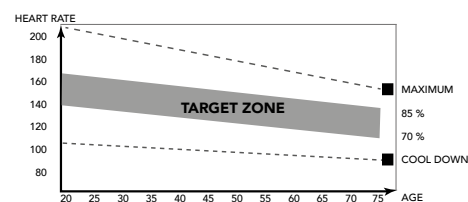
Using your fitness trainer will provide you with several benefits, it will improve your physical fitness, tone muscle and in conjunction with a calorie controlled diet help you lose weight.

**The warming up phase**

This stage helps get the blood flowing around the body and the muscles working properly. It will also reduce the risk of cramp and muscle injury. It is advisable to do a few stretching exercises as shown below. Each stretch should be held for approximately 30 seconds, do not force or jerk your muscles into a stretch - if it hurts, STOP

**The exercise phase**

This is the stage where you put the effort in. After regular use, the muscles in your legs will become more flexible. Work to your but it is very important to maintain a steady tempo throughout. The rate of work should be sufficient to raise your heart beat into the target zone shown on the graph below.



This stage should last for a minimum of 12 minutes though most people start at about 15-20 minutes

**The cool down phase**

This stage is to let your Cardiovascular System and muscles wind down. This is a repeat of the warm up exercise e.g. reduce your tempo, continue for approximately 5 minutes. The stretching exercises should now be repeated, again remembering not to force or jerk your muscles into the stretch.

As you get fitter you may need to train longer and harder. It is advisable to train at least three times a week, and if possible space your workouts evenly throughout the week.

## Muscle toning

To tone muscle while on your fitness trainer you will need to have the resistance set quite high. This will put more strain on our leg muscles and may mean you cannot train for as long as you would like. If you are also trying to improve your fitness you need to alter your training program. You should train as normal during the warm up and cool down phases, but towards the end of the exercise phase you should increase resistance making your legs work harder. You will have to reduce your speed to keep your heart rate in the target zone.

## Weight loss

The important factor here is the amount of effort you put in. The harder and longer you work the more calories you will burn. Effectively this is the same as if you were training to improve your fitness, the difference is the goal.

## Use

### Master power switch (fig. E-2A)

The equipment is equipped with a master power switch to shut down the equipment completely.

### To start the equipment:

- Insert the mains plug into the equipment.
- Insert the mains plug into the wall socket.
- Set the master power switch to the on position.

### To stop the equipment:

- Set the mains power switch to the off position.
- Remove the mains plug from the wall socket.
- Remove the mains plug from the equipment.

### Safety key (Fig F-4)

The equipment is equipped with a safety key that must be properly inserted into the slot on top of the handrail to start the equipment. If you remove the safety key from the slot, the equipment will stop immediately.

- Insert the safety key into the slot on top of the handrail.
- Make sure that the clip of the safety key is properly attached to your clothing.
- Make sure that the clip is not removed from your clothing before the safety key is removed from the handrail.

### NOTE

- Console will show E7 code when safety key is not in (correct) position during start up.

### Circuit breaker (Fig. E-2B)

The equipment is equipped with a circuit breaker that interrupts the circuit when the electricity load is above the maximum capacity. When this occurs, the circuit breaker must be pressed.

### WARNING

- Before pressing the circuit breaker, remove the mains plug from the equipment.

If the equipment shuts down, proceed as follows to restart the equipment:

- Remove the mains plug from the equipment.
- Press the circuit breaker to restart the equipment.
- Insert the mains plug into the equipment.

### NOTE

- Some circuit breakers used in homes are not rated for high inrush currents that can occur when a treadmill is first turned

on or even during normal use. If your treadmill is tripping the circuit breaker (even though it is the proper current rating and the treadmill is the only appliance on the circuit) but the circuit breaker on the treadmill itself does not trip, you will need to replace the breaker with a high inrush type. This is not a warranty defect. This is a condition we as a manufacture have no ability to control.

## Folding & Unfolding the equipment.

### NOTE

- Before folding or unfolding the equipment, make sure the remote control is taken out the holder to avoid it from falling out.
- The both clamp levers ( #8) can be pulled out, and freely repositioned without tightening, or loosen the fixture. Release the clamp levers ( #8) and turn to adjust the fixation.

### Unfolding the equipment (fig. F1)

#### - A-When being in vertical storage position

- While supporting the treadmill frame, loosen stabilizer frame fastening knob (#43) on the RH side of the stabilizer frame ( #42) by turning it in counter-clockwise direction.
- Tilt the mainframe slightly forwards and fold in the stabilizer frame.
- While supporting the treadmill frame, fasten stabilizer frame fastening knob (#43) on the RH side of the stabilizer frame ( #42) by turning it in clockwise direction.
- Lower the upright positioned treadmill in the horizontal position.

#### - B-When being in horizontal storage position.

- Turn both clamps levers ( #8) in the counter-clockwise direction to loosen the fixation of the handrail.
- Tilt the handrail in the upright position. ( slightly forward angle )
- Turn both clamps levers ( #8) in the clockwise direction to fixate the fixation.
- Trainer is now in ready-to-use position.

Refer to the illustrations for the correct way of unfolding the equipment.

### Folding the equipment (fig. F2)

#### - A-When being ready-to-use position

- Turn both clamps levers ( #8) in the counter-clockwise direction to loosen the fixation.
- Guide the handrail in the downwards horizontal position.
- Turn both clamps levers ( #8) in the clockwise direction to fixate the fixation of the handrail.
- Trainer is now in horizontal storage position.

#### - B-When being in horizontal storage position.

- Tilt the treadmill frame in the upright position by lifting it on the mainframe ( Do not lift the treadmill by holding the handrail ).
- While supporting the treadmill frame, loosen stabilizer frame fastening knob (#43) on the RH side of the stabilizer frame ( #42) by turning it in counter-clockwise direction.
- Tilt the mainframe slightly forwards and unfold in the stabilizer frame.
- While supporting the treadmill frame, fasten stabilizer frame fastening knob (#43) on the RH side of the stabilizer frame ( #42) by turning it in clockwise direction.
- Treadmill is now in vertical storage position. .

Refer to the illustrations for the correct way of folding the equipment.

## Console (fig. E-1)



### ⚠ CAUTION

- Keep the console away from direct sunlight.
- Dry the surface of the console when it is covered with drops of sweat.
- Do not lean on the console.
- Only touch the display with the tip of your finger. Make sure that your nails or sharp objects do not touch the display.

### 🔊 NOTE

- The console switches to standby mode when the equipment is not used for 10 minutes.

## Display Buttons

### Start/ Stop

- Press "Start/ Stop" button to start the selected workout when treadmill is in stop mode.  
After 3 seconds countdown the workout will start at 1.0 km/h.
- Press "Start/ Stop" button to stop the treadmill gradually when being in workout mode.

### Mode

- Cycle between target setting parameters in programming mode.  
Select between: target time, target distance or target calories.

### Up

- Increases the speed (1.0 ~ 12.0 km/h).
- Pressing once increases the speed 0.1 km/h.
- Pressing and holding for two seconds will increase the speed faster.
- Change values in target programming mode.

### Down

- Decreases the speed (1.0 ~ 12.0 km/h).
- Pressing once decreases the speed 0.1 km/h.
- Pressing and holding for two seconds will decrease the speed faster.
- Change values in target programming mode.

## Remote control Buttons

### Stop

- Press "Stop" button to stop the treadmill gradually when being in workout mode.

### Start

- Press "Start" button to start the selected workout when treadmill is in stop mode.  
After 3 seconds countdown the workout will start at 1.0 km/h.

### + (plus)

- Increase value when being in target programming mode.

### - (min.)

- Decrease value when being in target programming mode.

### Speed +

- Increase value when being in target programming mode.
- Increase workout speed when being in workout mode.

### Speed -

- Decrease value when being in target programming mode.
- Decrease workout speed when being in workout mode.

### M (Mode)

Press M button in programming mode:

- 1 time : Open Time Target Mode. (30 blinks in display)
- 2 times : Open Distance Target Mode (D & 1.0 blinks in display)
- 3 times: Open Calorie Target Mode (50 blinks in display)

### P (Program )

Press P button in programming mode:

- 1 time : Select P1 program (P1 & 10 shown in display)
- 2 times : Select P2 Program (P2 & 20 shown in display)
- 3 times: Select P3 program (P3 & 30 shown in display)

### 🔊 NOTE

- The Remote control can only function properly if the space in between the remote control sender and receiver in the main frame display is not blocked by any object.
- The remote control needs to be equipped with 2 AAA type batteries to make it function.
- Replace the batteries when your remote control is not responsive.

## Explanation of display items (Fig. E-1)

### Speed

- Shows the actual treadmill speed in workout mode.
- Display range : 1.0 ~ 12.0 ± 0.1 km/h

### Distance

- Shows the ran distance workout mode.
- Setting range : 0.0 ~ 99.9 km.
- Display range : 0.0 ~ 99.9 km.

### Time

- Shows the ran time in workout mode.
- Setting range : 5 ~ 99 minutes
- Display range : 0 ~ 59 sec. / 1 ~ 99 minutes

### Calories

- Shows the consumed K .calories in workout mode.
- Setting range : 10 ~ 300 K.Cal.
- Display range : 0 ~ 999 K.Cal.

### P1, P2, P3, D, ⏻

- P1, P2, P3 : Indicates the selected program.
- D : Indicates the Target mode is selected for Distance.  
D is shown when Distance parameter is shown in workout mode.
- ⏻ : Indicates the treadmill is in Stop mode.

### 🔊 NOTE

- This data is a rough guide for comparison of different exercise sessions which cannot be used in medical treatment.

### 🔊 NOTE

- Display for Calories/ Distance scans every 5 seconds.

## Pre-set Programs (P1~P3)

The equipment has 3 pre-set programs with different profiles. (Table fig. G.)

- Press "P" buttons to select "P1~P3"

### P1 Program.

Program P1 is a fixed speed interval profile program with a fixed duration of 10 minutes.

### P2 Program.

Program P2 is a fixed speed interval profile program with a fixed duration of 20 minutes.

### P3 Program.

Program P3 is a fixed speed interval profile program with a fixed duration of 30 minutes.

## Warranty

### Warranty terms

The consumer is entitled to the applicable legal rights stated in the national legislation concerning the commerce of consumer goods. This warranty does not restrict these rights. The Purchaser's Warranty is only valid if the item is used in an environment approved by Tunturi New Fitness BV for that particular equipment. The product-specific approved environment is stated in the Owner's Manual provided with your equipment.

### Warranty conditions

The warranty conditions commence from the date of purchase. Warranty conditions may vary per country, so please consult your local dealer for the warranty conditions.

### Warranty coverage

Under no circumstances shall Tunturi New Fitness BV or the Tunturi Distributor be liable by virtue of this warranty or otherwise for any special, indirect, secondary or consequential damages of any nature arising out of any use or inability to use this equipment.

### Warranty limitations

This warranty covers manufacturing defects in the fitness equipment as originally packed by Tunturi New Fitness BV. The warranty shall apply only under conditions of normal, recommended use of the product as described in the Owner's Manual and providing that Tunturi New Fitness BV's instructions for installation, maintenance and use have been complied with. Neither Tunturi New Fitness BV's nor the Tunturi Distributors' obligations apply to defects due to reasons beyond their control. The warranty applies only to the original purchaser and is valid only in countries where Tunturi New Fitness BV has an authorised importer. The warranty does not extend to fitness equipment or components that have been modified without the consent of Tunturi New Fitness BV. Defects resulting from normal wear, misuse, abuse, corrosion, or damage incurred during loading or transportation are not covered.

The warranty does not cover sounds or noises emitted during use where these do not substantially impede the use of the equipment and where they are not caused by a fault in the equipment.

The warranty does not cover defects arising from the failure to carry periodic maintenance as outlined within the Owner's Manual for the product. Furthermore, the warranty does not cover defects arising from usage and storage within an unsuitable environment as described within the Owner's Manual which should be indoors,

dry, dust and grit free and within a temperature range of +15°C to +35°C. The warranty does not cover maintenance activities, such as cleaning, lubricating, and normal part adjustments, nor installation

procedures that customers can accomplish themselves, such as changing uncomplicated meters, pedals and other similar parts not requiring any dismantling/reassembling of the fitness equipment. Warranty repairs carried out by other than authorised Tunturi representatives are not covered.

Failure to follow the instructions given in the Owner's Manual will invalidate the product's warranty.

## Cleaning and maintenance

### ⚠ WARNING

- Before cleaning and maintenance, remove the mains plug from the wall socket.
- Do not use solvents to clean the equipment.

- Do not block the ventilation openings. Keep the ventilation openings clear from dust, dirt and other obstructions.
- Clean the equipment with a soft, absorbent cloth after each use.
- Clean the visible parts of the equipment with a vacuum cleaner with a small suction nozzle
- Regularly check that all screws and nuts are tight.

### Belt and Running Deck

Your treadmill uses a very high-efficient low-friction bed. Performance is maximized when the running deck is kept as clean as possible. Use a soft, damp cloth or paper towel to wipe the edge of the belt and the area between the belt edge and frame. Also reach as far as practical directly under the belt edge. This should be done once a month to extend belt and running deck life. Use water only - no cleaners or abrasives. A mild soap and water solution along with a nylon scrub brush will clean the top of the textured belt. Allow the belt to dry before using.

### Lubrication (fig. F-6)

The running belt must be checked for lubrication condition regularly. The Treadmill running belt is pre lubricated before fitting on your treadmill during the production of the unit. Therefore it is not needed to lubricate the running belt when taken into use for the first time.

### ⚠ WARNING

- Before lubrication, remove the mains plug from the wall socket.

### ⚠ CAUTION

- We recommend to check the running belt lubrication at least once every month, as more factors than time can be effective to the lubricant conditions.
- Only lubricate the running belt if necessary. If you apply too much lubricant, the running belt will slip easily due to lack of friction.

- Stand steadily on the running belt.
- Take hold of the front handlebar and push the running belt with your feet so that it slides back and forth. The running belt must move smoothly and evenly without making sound.
- If the running belt does not move smoothly and evenly or if the running belt does not move at all, touch the underside of the running belt with your fingertips to check the lubrication:
  - If you feel lubrication or your fingertips are shiny, there is sufficient lubrication on the running belt.



- If you do not feel lubrication or your fingertips are dusty or rough, apply lubricant (15-20 ml) in the middle of the running deck under the running belt and let the equipment operate at 5km/h for at least 5 minutes.
- After lubrication, do not fold the equipment before having done a workout for 20 minutes with a speed of at least 5 km/h. The lubricant will be spread evenly over the running belt.

### Belt Dust

This occurs during normal break-in or until the belt stabilizes. Wiping excess off with a damp cloth will minimize build-up.

### General Cleaning

Dirt, dust, and pet hair can block air inlets and accumulate on the running belt. On a monthly basis: vacuum underneath your treadmill to prevent buildup. Twice a year, you should remove the black motor hood and vacuum out dirt that may accumulate.

UNPLUG POWER CORD BEFORE THIS TASK.

### Belt adjustments

Adjustment must be made from the rear roller. The adjustment bolts are located at the end of the step rails in the end caps.

- Tighten the rear roller bolts (clockwise) only enough to prevent slippage at the front roller. Turn both running belt tension adjustment bolts in increments of 1/4 turn each and inspect for proper tension by walking on the belt at a low speed, making sure the belt does not slip. Keep tensioning the bolts until the belt stops slipping.
- If you feel the belt is tight enough, but it still slips, the problem may be a loose Motor drive belt under the front cover.
- Do Not Over-tighten  
Over tightening will cause belt damage and premature bearing failure.

### Running belt tracking adjustment

The performance of your treadmill is dependent on the frame running on a reasonably level surface. If the frame is not level, the front and back roller cannot run parallel, and constant belt adjustment may be necessary.

The treadmill is designed to keep the running belt reasonably centered while in use. It is normal for some belts to drift near one side while the belt is running with no one on it. After a few minutes of use, the running belt should have a tendency to center itself. If, during use, the belt continues to move toward one side, adjustments are necessary.

#### EXCEPTION:

During rehabilitation where the user is using one leg much stronger than the other, it might happen that the running belt drifts to one side. In these cases you should not adjust unless the running belt does not centre itself during normal condition usage.

### To set running belt tracking (fig. F-5)

A 6 mm Allen wrench is provided to adjust the rear roller. Make tracking adjustments from the left side only. Set belt speed at approximately 3 to 5 kph.

Remember, a small adjustment can make a dramatic difference!

Turn the bolt on the left side clockwise to move the belt to the right. Counterclockwise to move to the left. Turn this bolt only a 1/4 turn and wait a few minutes for the belt to adjust itself. Continue to make 1/4 rotation turns until the belt stabilizes in the center of the running deck.

The belt may require periodic tracking adjustment depending on use and walking/running characteristics. Some users will affect tracking differently. Expect to make adjustments as required to center the tread-belt. Adjustments will become less of a maintenance concern as the belt is used. Proper belt tracking is an owner responsibility common with all treadmills.

### NOTE

- Damage to the running belt because of incorrect running-belt adjustments is not covered by the products warranty.

## Troubleshooting

Despite continuous quality control, defects and malfunctions caused by individual components may occur in the equipment. In most cases it's unnecessary to take the whole device in for repair, as it's usually sufficient to replace the defective part.

If the equipment does not function properly during use, contact your Tunturi dealer immediately. Always give the model and serial number of your equipment. Please state also the nature of the problem, conditions of use and purchase date.

If you require spare parts, always give the model, serial number of your equipment and the spare part number for the part you need. The spare part list is at the back of this manual. Use only spare parts mentioned in the spare part list.

## Transport and storage

### WARNING

- Before cleaning and maintenance, remove the mains plug from the wall socket.
- Carry and move the equipment with at least two persons.
- Make sure that there are no other persons or objects under the equipment.

- Move the equipment as shown (fig. F3). Move the equipment and carefully put the equipment down. Place the equipment on a protective base to prevent damage to the floor surface. Move the equipment carefully over uneven surfaces. Do not move the equipment upstairs using the wheels, but carry the equipment by the handlebars.

### Storage in vertical position.

#### CAUTION

- Take note that when storing the treadmill in vertical position it is only stable enough to support its own weight.

We recommend to store the treadmill in horizontal position only in a location where there is hardly any human traffic or movement. Best location would be next to a wall or closet.

## Additional information

### Packaging disposal

Government guidelines ask that we reduce the amount of waste material disposed of in land fill sites. We therefore ask that you dispose of all packaging waste responsibly at public recycling centres.

**End of life disposal**

We at Tunturi hope you enjoy many years of enjoyable use from your fitness trainer. However, a time will come when your fitness trainer will come to the end of its useful life. Under 'European WEEE Legislation you are responsible for the appropriate disposal of your fitness trainer to a recognised public collection facility.

**Technical data**

Parameter	Unit of measurement	Value
Mains voltage	VAC	210 ~ 240
Mains frequency	HZ	50 ~ 60
Speed	Km/H	1.0 ~ 12.0
Incline	Step	<input checked="" type="checkbox"/>
Length (folded)	Cm	148.0 ( 155.0)
Width	Cm	73.0
Height (folded)	Cm	121.0 (16.0)
Weight	Kg	36.0
HR. receiver	handgrip contact 5.3~ 5.4 Khz. Bluetooth (BLE) ANT+	<input checked="" type="checkbox"/> <input checked="" type="checkbox"/> <input checked="" type="checkbox"/> <input checked="" type="checkbox"/>

**Declaration of the manufacturer**

Tunturi New Fitness BV declares that the product is in conformity with the following standards and directives: EN 957 (HC), 2014/30/EU. The product therefore carries the CE label.

04-2020

Tunturi New Fitness BV  
Purmerweg 1  
1311 XE Almere  
The Netherlands

**Disclaimer**

© 2020 Tunturi New Fitness BV  
All rights reserved.

- The product and the manual are subject to change.
- Specifications can be changed without further notice.
- Check our website for the latest user manual version.

**Deutsch**

Diese deutsche Bedienungsanleitung ist eine Übersetzung des englischen Textes. Es können keine Rechte auf diese Übersetzung abgeleitet werden.

**Index**

**Willkommen..... 19**  
**Warnhinweise zur Sicherheit ..... 19**  
 Elektrische Sicherheit .....20  
**Montageanleitungen ..... 20**  
 Beschreibung Abbildung A.....20  
 Beschreibung Abbildung B .....20  
 Beschreibung Abbildung C.....20  
 Montage (Abb. D) .....20  
**Trainings ..... 20**  
 Trainingsanleitung .....21  
**Gebrauch ..... 21**  
 Ein- und Ausklappen des Geräts .....22  
**Konsole (Abb. E-1)..... 22**  
 Display-Tasten .....22  
 Fernsteuerungstasten.....22  
 Erklärung der Display-Elemente (Fig. E-1) .....23  
 Voreingestellte Programme (P1 bis P3).....23  
**Garantie..... 23**  
**Reinigung und Wartung..... 24**  
 Schmierung (Abb. F-6) .....24  
**Betriebs- störungen..... 25**  
**Transport und Lagerung ..... 25**  
 Zusätzliche Informationen .....25  
**Technische Daten..... 26**  
**Herstellereklärung..... 26**  
**Haftungsausschluss..... 26**

**Willkommen**

Willkommen in der Welt von Tunturi!

Danke, dass Sie dieses Gerät von Tunturi erworben haben. Tunturi bietet eine breite Palette an Heim-Fitnessgeräten wie beispielsweise Crosstrainer, Laufbänder, Trainingsfahrräder, Rudergeräte, Kraftbänke und Multi-Stationen an. Die Tunturi Geräte sind für die ganze Familie geeignet - ganz egal, wie fit man ist. Weitere Informationen finden Sie auf unserer Website unter [www.tunturi.com](http://www.tunturi.com)

**Wichtige sicherheitshinweise**

Dieses Handbuch ist ein wesentlicher Bestandteil Ihres Trainingsgerätes. Lesen Sie es bitte sorgfältig durch, bevor Sie Ihr Trainingsgerät montieren, mit ihm trainieren oder es warten. Bitte bewahren Sie dieses Handbuch auf; es wird Sie jetzt und zukünftig darüber informieren, wie Sie Ihr Gerät benutzen und warten. Befolgen Sie diese Anweisungen immer sorgfältig.

**Warnhinweise zur Sicherheit**

**⚠️ WARNUNG**

- Lesen Sie die Warnhinweise zur Sicherheit und die Anweisungen. Werden die Warnhinweise zur Sicherheit und die Anweisungen nicht befolgt, kann dies zu Personenverletzungen und Schäden am Gerät führen. Bewahren Sie die Warnhinweise zur Sicherheit und die Anweisungen zur künftigen Bezugnahme auf.

**⚠️ WARNUNG**

- Herzfrequenz-Überwachungssysteme können ungenau sein.
- Eine Überanstrengung kann zu schweren Schädigungen oder zum Tod führen. Wenn Sie sich schwach oder ohnmächtig fühlen, stellen Sie die Übungen unverzüglich ein.

- Das Gerät ist nur für den Hausgebrauch geeignet. Das Gerät ist nicht für den gewerblichen Gebrauch geeignet.
- Die maximale Verwendung ist auf 2 Stunden pro Tag beschränkt
- Wenn dieses Gerät von Kindern oder Personen mit körperlicher, sensorischer, geistiger oder motorischer Behinderung verwendet wird, oder wenn nicht genügend Erfahrung und Kenntnisse vorhanden sind, kann dies zu Gefahrensituationen führen. Personen, die für deren Sicherheit verantwortlich sind, müssen klare Anweisungen geben oder den Gebrauch des Geräts beaufsichtigen.
- Bevor Sie Ihr Training starten, nehmen Sie Kontakt mit einem Arzt auf, um Ihre Gesundheit kontrollieren zu lassen.
- Falls Sie Übelkeit, ein Schwindelgefühl oder andere anormale Symptome verspüren, hören Sie unverzüglich mit Ihrem Training auf und wenden Sie sich an einen Arzt.
- Um einen Muskelkater zu vermeiden, starten Sie jedes Training mit Aufwärmen und beenden Sie es mit Abkühlen. Denken Sie daran, sich am Ende des Trainings zu dehnen.
- Das Gerät ist nur für den Gebrauch in geschlossenen Räumen geeignet. Das Gerät ist nicht für den Gebrauch im Freien geeignet.
- Verwenden Sie das Gerät nur in Umgebungen mit ausreichender Belüftung. Verwenden Sie das Gerät nicht in zugiger Umgebung, damit Sie sich nicht erkälten.
- Verwenden Sie das Gerät nur in Umgebungen mit Umgebungstemperaturen zwischen 10 °C~35 °C. Lagern Sie das Gerät nur in Umgebungen mit einer Umgebungstemperatur zwischen 5 °C~45 °C.
- Verwenden und lagern Sie das Gerät nicht in feuchten Umgebungen. Die Luftfeuchtigkeit darf niemals 80% überschreiten.
- Verwenden Sie das Gerät nur bestimmungsgemäß. Verwenden Sie das Gerät nicht für einen anderen als für den in diesem Handbuch beschriebenen Zweck.
- Verwenden Sie das Gerät nicht, falls Teile beschädigt oder defekt sind. Ist ein Teil beschädigt oder defekt, wenden Sie sich an Ihren Händler.
- Halten Sie Ihre Hände, Füße und andere Körperteile von den beweglichen Teilen fern.
- Halten Sie Ihr Haar von den beweglichen Teilen fern.
- Tragen Sie entsprechende Kleidung und Schuhe.
- Halten Sie Kleidung, Schmuck und andere Gegenstände von den beweglichen Teilen fern.
- Vergewissern Sie sich, dass das Gerät nur von einer Person auf einmal verwendet wird. Das Gerät darf nicht von Personen verwendet werden, deren Gewicht 100 kg (220 lbs) überschreitet.
- Öffnen Sie das Gerät nicht, ohne vorher mit Ihrem Händler zu sprechen.

## Elektrische Sicherheit

(Betrifft nur elektrisch betriebene Geräte)

- Vergewissern Sie sich vor der Verwendung stets, dass die Netzspannung mit der Spannung auf dem Typenschild des Geräts übereinstimmt.
- Verwenden Sie kein Verlängerungskabel.
- Halten Sie das Netzkabel von Hitze, Öl und scharfen Kanten fern.
- Verändern Sie nichts am Netzkabel oder am Netzstecker.
- Verwenden Sie das Gerät nicht, falls das Netzkabel oder der Netzstecker beschädigt oder defekt ist. Ist das Netzkabel oder der Netzstecker beschädigt oder defekt, wenden Sie sich an Ihren Händler.
- Wickeln Sie das Netzkabel immer vollständig ab.
- Lassen Sie das Netzkabel nicht unter dem Gerät entlanglaufen. Lassen Sie das Netzkabel nicht unter einem Teppich entlanglaufen. Stellen Sie keine Gegenstände auf das Netzkabel.
- Vergewissern Sie sich, dass das Netzkabel nicht über der Kante eines Tisches hängt. Vergewissern Sie sich, dass niemand versehentlich über das Netzkabel stolpert.
- Lassen Sie das Gerät nicht unbeaufsichtigt, wenn der Netzstecker in die Wandsteckdose eingesteckt ist.
- Ziehen Sie nicht am Netzkabel, um den Netzstecker aus der Wandsteckdose zu ziehen.
- Ziehen Sie den Netzstecker aus der Wandsteckdose, wenn das Gerät nicht verwendet wird, bevor es zusammengebaut oder zerlegt wird sowie vor der Reinigung und Wartung.

### ⚠️ WARNUNG

- Schwankungen in der Netzspannung von mehr als 10 Prozent können zu Fehlfunktionen des Gerätes führen und die Elektronik beschädigen. Die Leistungsaufnahme kann maximal 15 A betragen. Die Garantie erlischt, wenn das Gerät nicht diesen Anleitungen entsprechend angeschlossen wird

### ⚠️ WARNUNG

- Führen Sie das Stromkabel abseits aller beweglichen Teile des Laufbands, einschließlich des Hebe mechanisms und der Transporträder.

## Erdungsanweisungen

Dieses Produkt muss geerdet werden. Wenn das Elektrosystem des Laufbands nicht funktioniert oder ausfällt, ist die Erdung der letzte Widerstand für Stromspannung, wodurch Stromschläge vermieden werden. Dieses Produkt hat eine Kabel mit einem Erdungsstecker. Der Stecker muss in eine geeignete Dose gesteckt werden, die richtig gemäß aller örtlichen Bestimmungen und Verordnungen installiert und geerdet ist.

### ⚠️ WARNUNG

Ein ungeeigneter Erdungsanschluss des Geräts kann zu Stromschlägen führen. Überprüfen Sie zusammen mit einem qualifizierten Elektriker oder Servicemitarbeiter in Zweifelsfällen, ob das Gerät richtig geerdet ist. Nehmen Sie am Stecker, der mit dem Produkt geliefert wurde, keine Veränderungen vor, wenn dieser nicht in die Steckdose passt; lassen Sie von einem qualifizierten Elektriker eine passende Steckdose installieren.

## Montageanleitungen

### Beschreibung Abbildung A

Die Abbildung zeigt, wie das Gerät nach der Montage aussehen wird. Sie können diese bei der Montage als Referenz verwenden, befolgen Sie die Montageschritte aber immer in der richtigen Reihenfolge, wie in den Abbildungen gezeigt.

### Beschreibung Abbildung B

Die Abbildung zeigt, welche Komponenten und Teile in der Lieferung enthalten sein sollen.

#### 📌 HINWEIS

- Kleinteile können in Hohlräumen im Styropor-Produktschutz versteckt/verpackt werden
- Fehlt ein Teil, wenden Sie sich an Ihren Händler.

### Beschreibung Abbildung C

Die Abbildung zeigt den Zubehörsatz, der mit Ihrem Produkt geliefert wird.

### Montage (Abb. D)

Das Produkt wird vollständig montiert im Karton geliefert.

Das Produkt wird eingeklappt im Karton geliefert.

#### !! HINWEIS

- Um das Laufband aufzuklappen, nehmen Sie bitte Bezug auf das Kapitel „Ein- und Ausklappen des Geräts“ in diesem Handbuch.

#### ⚠️ WARNUNG

- Tragen und bewegen Sie das Gerät mit mindestens zwei Personen.

#### ⚠️ VORSICHT

- Stellen Sie das Gerät auf festen, ebenen Boden.
- Stellen Sie das Gerät auf eine schützende Unterlage, um Schäden am Bodenbelag zu vermeiden.
- Sorgen Sie rund um das Gerät für einen Freiraum von mindestens 100 cm.

## Trainings

Das Training muss leicht und geeignet, aber von langer Dauer sein. Aerobic-Übungen basieren auf der Verbesserung der maximalen Sauerstoffaufnahme des Körpers, was wiederum die Ausdauer und Fitness verbessert. Sie sollten während des Trainings zwar ins Schwitzen, aber nicht außer Atem kommen.

Um eine Basisfitness zu erreichen und zu halten, üben Sie mindestens drei mal pro Woche 30 Minuten lang an einem Stück. Erhöhen Sie die Anzahl der Übungssitzungen, um Ihre Fitness zu verbessern.

Es lohnt sich, die regelmäßigen Übungen mit einer gesunden Diät zu kombinieren. Personen, die Diät machen, sollten täglich zuerst 30 Minuten oder weniger an einem Stück üben und die tägliche Trainingszeit allmählich auf eine Stunde verlängern. Beginnen Sie Ihr Training mit niedriger Geschwindigkeit und geringem Widerstand, um zu vermeiden, dass das Herzkreislaufsystem einer übermäßigen Belastung ausgesetzt wird. Mit sich verbessernder Fitness können Geschwindigkeit und Widerstand allmählich erhöht werden.

Die Wirksamkeit Ihrer Übungen kann durch Überwachung der Herzfrequenz und Ihrer Pulsfrequenz gemessen werden.

## Trainingsanleitung

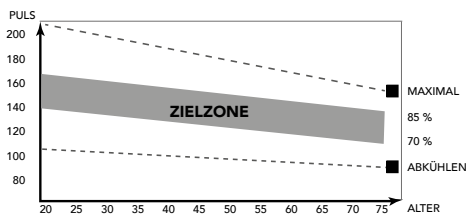
Die Verwendung des Fitnesstrainers wird Ihnen viele Vorteile bieten: Er verbessert Ihre körperliche Fitness, formt die Muskeln und hilft Ihnen, in Verbindung mit einer kalorienreduzierten Diät, Gewicht zu verlieren.

### Die Aufwärm-Phase

Der Blutkreislauf wird angeregt und die Muskelfunktionen werden unterstützt. Außerdem wird das Risiko von Krämpfen und Muskelverletzungen gesenkt. Sie sollten, wie unten angezeigt, einige Dehnungsübungen machen. Sie sollten weder die Dehnungsbewegung erzwingen noch die Muskeln dabei ruckweise bewegen - wenn Sie Schmerzen haben, sollten Sie AUFHÖREN.

### Die Trainings-Phase

In dieser Phase strengen Sie sich an. Nach regelmäßiger Verwendung werden die Muskeln in Ihren Beinen beweglicher. In dieser Phase ist es sehr wichtig, immer ein gleichmäßiges Tempo beizubehalten. Die Anstrengung sollte ausreichen, um Ihren Herzschlag bis in die Zielzone zu erhöhen, die im folgenden Diagramm dargestellt ist.



Diese Phase sollte mindestens 12 Minuten dauern; die meisten Menschen beginnen mit ca. 15 bis 20 Minuten.

### Die Abkühlungs-Phase

Sie dient der Entspannung Ihres Herz-Kreislaufsystems und Ihrer Muskeln. Dabei werden die Aufwärmübungen wiederholt, reduzieren Sie zum Beispiel Ihr Tempo und machen Sie ca. 5 Minuten weiter. Jetzt sollten die Dehnübungen wiederholt werden. Denken Sie wiederum daran, weder die Dehnungsbewegung zu erzwingen noch die Muskeln dabei ruckweise zu bewegen. Wenn Sie fitter werden, kann es sein, dass Sie länger und härter trainieren müssen. Sie sollten mindestens drei Mal die Woche trainieren und, falls möglich, Ihre Trainingseinheiten gleichmäßig über die Woche verteilen.

### Muskelformung

Um Ihre Muskeln beim Training auf dem Fitnesstrainer zu formen, müssen Sie den Widerstand ziemlich hoch einstellen. Dadurch werden die Beinmuskeln mehr angestrengt und Sie können möglicherweise nicht so lange trainieren, wie Sie möchten. Wenn Sie außerdem Ihre Fitness verbessern möchten, müssen Sie Ihr Trainingsprogramm ändern. Sie sollten in den Aufwärm- und Abkühlphasen normal trainieren, jedoch gegen Ende der Trainingsphase den Widerstand erhöhen, damit Ihre Beine härter arbeiten müssen. Sie müssen die Geschwindigkeit verringern, damit Ihre Herzfrequenz in der Zielzone bleibt.

### Gewichtsabnahme

Der wichtige Faktor ist, wie sehr Sie sich anstrengen. Je härter und je länger Sie trainieren, desto mehr Kalorien verbrennen Sie. Dies ist im Grunde dasselbe, wie wenn zur Verbesserung Ihrer Fitness trainieren, nur das Ziel ist ein anderes.

## Gebrauch

### Hauptschalter (Abb. E-2A)

Das Gerät ist mit einem Hauptschalter ausgestattet, mit dem es komplett abgeschaltet werden kann.

#### Um das Gerät zu starten:

- Stecken Sie den Netzstecker in das Gerät.
- Stecken Sie den Netzstecker in die Wandsteckdose.
- Schalten Sie den Hauptschalter ein (ON).

#### Um das Gerät zu stoppen:

- Schalten Sie den Netzschalter aus (OFF).
- Ziehen Sie den Netzstecker aus der Wandsteckdose.
- Ziehen Sie den Netzstecker aus dem Gerät.

### Sicherheitsschlüssel (Abb. F4)

Das Gerät ist mit einem Sicherheitsschlüssel ausgerüstet, der korrekt in den Schlitz auf der Oberseite des Handlaufs eingeführt werden muss, damit das Gerät gestartet werden kann. Wenn Sie den Sicherheitsschlüssel aus dem Schlitz entnehmen, stoppt das Gerät unverzüglich den Betrieb.

- Führen Sie den Sicherheitsschlüssel in den Schlitz auf der Oberseite des Handlaufs ein.
- Vergewissern Sie sich, dass der Clip des Sicherheitsschlüssels richtig an Ihrer Kleidung befestigt ist.
- Vergewissern Sie sich, dass der Clip nicht von Ihrer Kleidung entfernt wird, bevor der Sicherheitsschlüssel von der handrail gezogen wird.

#### ⚠ HINWEIS

- Die Konsole zeigt den E7-Code an, wenn der Sicherheitsschlüssel nicht in Position ist.

### Schutzschalter (Abb. E-2B)

Das Gerät ist mit einem Schutzschalter ausgestattet, der den Strom unterbricht, wenn die elektrische Last die maximale Kapazität überschreitet. Tritt dies ein, muss der Schutzschalter gedrückt werden..

#### ⚠ WARNUNG

- Ziehen Sie vor dem Drücken des Schutzschalters den Netzstecker aus dem Gerät.

Schaltet das Gerät ab, gehen Sie wie folgt vor, um das Gerät neu zu starten:

- Ziehen Sie den Netzstecker aus dem Gerät.
- Drücken Sie den Schutzschalter, um das Gerät neu zu starten.
- Stecken Sie den Netzstecker in das Gerät.

#### ⚠ HINWEIS

- Einige Schutzschalter in Gebäuden sind nicht auf hohen Einschaltstrom ausgelegt, der beim ersten Einschalten des Laufbands oder auch bei normaler Verwendung vorkommen kann. Wenn Ihr Laufband den Schutzschalter auslöst (auch wenn die Spannung korrekt ist und das Laufband das einzige Gerät im Stromkreis ist), aber der Schutzschalter im Laufband selbst nicht ausgelöst wird, müssen Sie den Schalter durch einen für hohen Einschaltstrom ersetzen. Dies ist nicht Teil der Garantieleistungen. Diese Bedingungen können vom Hersteller nicht beeinflusst werden.

## Ein- und Ausklappen des Geräts

### !! HINWEIS

- Bevor Sie das Gerät ein- oder ausklappen, stellen Sie bitte sicher, dass die Fernbedienung aus der Halterung entnommen wird, um ein Herunterfallen zu vermeiden.
- Die beiden Spannhebel (Nr. 8) können herausgezogen und frei repositioniert werden, ohne dass die Befestigungsvorrichtung festgezogen oder gelöst werden muss.  
Lösen Sie die Spannhebel (Nr. 8) und drehen Sie sie, um die Befestigungsvorrichtung einzustellen.

### Ausklappen der Ausrüstung (Abb. F1)

#### - Bei vertikaler Aufbewahrungsposition

- Halten Sie den Rahmen des Laufbands fest und lösen Sie den Drehknopf (Nr. 43) des Stabilisierungsrahmens (Nr. 42) auf der rechten Seite desselben, indem Sie ihn gegen den Uhrzeigersinn drehen.
- Kippen Sie den Hauptrahmen leicht nach vorn und klappen Sie den Stabilisierungsrahmen ein.
- Halten Sie den Rahmen des Laufbands fest und ziehen Sie gleichzeitig den Drehknopf (Nr. 43) des Stabilisierungsrahmens (Nr. 42) auf der rechten Seite fest, in dem Sie ihn im Uhrzeigersinn drehen.
- Senken Sie das aufrecht positionierte Laufband in die horizontale Position ab.

#### - Bei horizontaler Aufbewahrungsposition.

- Drehen Sie beide Spannhebel (Nr. 8) entgegen dem Uhrzeigersinn, um die Befestigungsvorrichtung des Handlaufs zu lösen.
- Kippen Sie den Handlauf in die aufrechte Position. (leichte Neigung nach vorn)
- Drehen Sie beide Spannhebel (Nr. 8) im Uhrzeigersinn, um die Befestigungsvorrichtung festzuziehen.
- Das Sportgerät ist jetzt einsatzbereit.

Für ein korrektes Ausklappen des Geräts nehmen Sie bitte Bezug auf die Bilder.

### Einklappen der Ausrüstung (Abb. F2)

#### - Bei einsatzbereiter Position

- Drehen Sie beide Spannhebel (Nr. 8) entgegen dem Uhrzeigersinn, um die Befestigungsvorrichtung zu lösen.
- Führen Sie den Handlauf nach unten in die horizontale Position.
- Drehen Sie beide Spannhebel (Nr. 8) im Uhrzeigersinn, um die Befestigungsvorrichtung des Handlaufs festzuziehen.
- Das Sportgerät befindet sich jetzt in horizontaler Aufbewahrungsposition.

#### - Bei horizontaler Aufbewahrungsposition.

- Kippen Sie den Rahmen des Laufbands in die aufrechte Position, indem Sie ihn am Hauptrahmen hochziehen (heben Sie das Laufband keinesfalls am Handlauf hoch).
- Halten Sie den Rahmen des Laufbands fest und lösen Sie den Drehknopf (Nr. 43) des Stabilisierungsrahmens (Nr. 42) auf der rechten Seite desselben, indem Sie ihn gegen den Uhrzeigersinn drehen.
- Kippen Sie den Hauptrahmen leicht nach vorn und klappen Sie den Stabilisierungsrahmen aus.
- Halten Sie den Rahmen des Laufbands fest und ziehen Sie gleichzeitig den Drehknopf (Nr. 43) des Stabilisierungsrahmens (Nr. 42) auf der rechten Seite fest, in dem Sie ihn im Uhrzeigersinn drehen.
- Das Sportgerät befindet sich jetzt in vertikaler Aufbewahrungsposition. .

Für ein korrektes Einklappen des Geräts nehmen Sie bitte Bezug auf die Bilder.

## Konsole (Abb. E-1)



### ⚠ VORSICHT

- Halten Sie die Konsole von direkter Sonneneinstrahlung fern.
- Trocknen Sie die Oberfläche der Konsole, wenn Sie mit Schweißtropfen bedeckt ist.
- Lehnen Sie sich nicht auf die Konsole.
- Berühren Sie die Anzeige nur mit Ihrer Fingerspitze. Vergewissern Sie sich, dass Ihre Nägel oder andere scharfe Gegenstände die Anzeige nicht berühren.

### 🗉 HINWEIS

- Die Konsole schaltet in den Standby-Modus, wenn das Gerät 10 Minuten lang nicht verwendet wird.

## Display-Tasten

### Start/Stopp

- Drücken Sie die „Start/Stopp“-Taste, um das gewählte Training zu starten, wenn sich das Laufband im Stopp-Modus befindet. Nach 3 Sekunden startet das Training mit 1,0 km/h.
- Drücken Sie die „Start/Stopp“-Taste, um das Laufband nach und nach anzuhalten, wenn es sich im Trainingsmodus befindet.

### Modus

- Schalten Sie zwischen den Zieleinstellungsparametern im Programmierungsmodus um.  
Wählen Sie zwischen: Zielzeit, Zielstrecke oder Zielkalorien.

### Auf

- Erhöht die Geschwindigkeit (1,0 bis 12,0 km/h).
- Bei einmaligem Drücken erhöht sich die Geschwindigkeit um 0,1 km/h.
- Die Geschwindigkeit wird schneller erhöht, wenn die Taste zwei Sekunden gedrückt gehalten wird.
- Ändert die Werte im Zielprogrammierungsmodus.

### Ab

- Verringert die Geschwindigkeit (1,0 bis 12,0 km/h).
- Bei einmaligem Drücken verringert sich die Geschwindigkeit um 0,1 km/h.
- Die Geschwindigkeit wird schneller verringert, wenn die Taste zwei Sekunden gedrückt gehalten wird.
- Ändert die Werte im Zielprogrammierungsmodus.

## Fernsteuerungstasten

### Stopp

- Drücken Sie die „Stopp“-Taste, um das Laufband nach und nach anzuhalten, wenn Sie sich im Trainingsmodus befinden.

**Start**

- Drücken Sie die „Start“-Taste, um das gewählte Training zu starten, wenn sich das Laufband im Stopp-Modus befindet.  
Nach 3 Sekunden startet das Training mit 1,0 km/h.

**+ (plus)**

- Erhöht den Wert, wenn Sie sich im Zielprogrammierungsmodus befinden

**- (min.)**

- Verringert den Wert, wenn Sie sich im Zielprogrammierungsmodus befinden.

**Geschwindigkeit +**

- Erhöht den Wert, wenn Sie sich im Zielprogrammierungsmodus befinden
- Steigert die Trainingsgeschwindigkeit, wenn Sie sich im Trainingsmodus befinden.

**Speed -**

- Verringert den Wert, wenn Sie sich im Zielprogrammierungsmodus befinden.
- Verringert die Trainingsgeschwindigkeit, wenn Sie sich im Trainingsmodus befinden.

**M (Modus)**

Drücken Sie die „M“-Taste im Programmiermodus:

- 1 Mal: Öffnet den Zeitzielmodus. (30 blinkt im Display)
- 2 Mal: Öffnet den Streckenzielmodus (D und 1,0 blinken im Display)
- 3 Mal: Öffnet den Kalorienzielmodus (50 Blinkt im Display)

**P (Programm)**

Drücken Sie die „P“-Taste im Programmiermodus:

- 1 Mal: Wählt das P1-Programm (P1 und 10 werden im Display angezeigt)
- 2 Mal: Wählt das P2-Programm (P2 und 20 werden im Display angezeigt)
- 3 Mal: Wählt das P3-Programm (P3 und 30 werden im Display angezeigt)

**!! HINWEIS**

- Die Fernsteuerung kann nur ordnungsgemäß funktionieren, wenn sich zwischen dem Sender der Fernbedienung und dem Empfänger im Display des Hauptrahmens keine störenden Gegenstände befinden.
- Die Fernbedienung funktioniert mit 2 Batterien vom Typ AAA.
- Ersetzen Sie die Batterien, wenn Ihre Fernbedienung nicht reagiert.

**Erklärung der Display-Elemente (Fig. E-1)****Geschwindigkeit**

- Zeigt im Trainingsmodus die aktuelle Laufbandgeschwindigkeit an.
- Anzeigebereich: 1,0 bis 12,0 ± 0,1 km/h

**Entfernung**

- Zeigt im Trainingsmodus die zurückgelegte Strecke an.
- Einstellungsbereich: 0,0 bis 99,9 km.
- Anzeigebereich: 0,0 bis 99,9 km.

**Zeit**

- Zeigt im Trainingsmodus die gelaufene Zeit an.
- Einstellungsbereich: 5 bis 99 Minuten
- Anzeigebereich: 0 bis 59 Sek./1 bis 99 Minuten

**Kalorien**

- Zeigt die verbrauchten Kalorien im Trainingsmodus an.
- Einstellungsbereich: 10 bis 300 kcal
- Anzeigebereich: 0 bis 999 kcal

**P1, P2, P3, D, ⏻**

- P1, P2, P3: Zeigt das gewählte Programm.
- D: Zeigt an, dass der Zielmodus auf „Strecke“ eingestellt ist.  
D wird angezeigt, wenn der Streckenparameter im Trainingsmodus angezeigt wird.
- ⏻: Zeigt an, dass sich das Laufband im Stopp-Modus befindet.

**!! HINWEIS**

- Diese Daten sind ein grober Anhaltspunkt für den Vergleich verschiedener Trainingssitzungen, die nicht für eine medizinische Behandlung verwendet werden können.

**!! HINWEIS**

- Die Anzeige für Kalorien/Strecke scannt alle 5 Sekunden.

**Voreingestellte Programme (P1 bis P3)**

Das Gerät verfügt über 3 voreingestellte Programme mit verschiedenen Profilen.

(Tabelle Abb. G.)

- Drücken Sie zur Auswahl des Programms „P1 bis P3“ die Taste „P“.

**P1-Programm.**

Das Programm P1 ist ein festgelegtes Geschwindigkeitsintervall-Profilprogramm mit einer festgelegten Dauer von 10 Minuten.

**P2-Programm.**

Das Programm P2 ist ein festgelegtes Geschwindigkeitsintervall-Profilprogramm mit einer festgelegten Dauer von 20 Minuten.

**P3-Programm.**

Das Programm P3 ist ein festgelegtes Geschwindigkeitsintervall-Profilprogramm mit einer festgelegten Dauer von 30 Minuten.

**Garantie****Eigentümer-garantie für Tunturi fitnessgeräte.****Garantiebedingungen**

Der Käufer ist berechtigt die den Handel mit Konsumgütern betreffenden gesetzlichen Rechte gemäß der nationalen Gesetzgebung in Anwendung zu bringen. Diese Rechte werden durch die Garantie nicht eingeschränkt. Bedingungen zu ersetzen. Die Eigentümer-Garantie gilt nur dann, wenn das Gerät in einer für entsprechende Geräte der Tunturi New Fitness BV zugelassenen Anwendungsumgebung verwendet wird. Die für das Gerät zugelassene Anwendungsumgebung wird in der Bedienungsanleitung des Geräts genannt.

**Garantiedauer**

Die Garantie gilt ab Kaufdatum. Die Garantiedauer kann sich je nach Land unterscheiden. Bitte wenden Sie sich an Ihren zuständigen Händler, um die Garantiedauer zu erfahren.

**Garantieumfang**

Unter keinen Umständen haften die Tunturi New Fitness BV oder der Tunturi-Vertragshändler für dem Käufer möglicherweise zugefügte indirekte Schäden wie Gebrauchsbeeinträchtigung oder Einkommensverlust oder anderen wirtschaftlichen Folgeschäden.

## Einschränkungen der Garantie

Die Garantie deckt durch Herstellung oder Material hervorgerufene Fehler des Fitnessgeräts in dessen ursprünglicher Zusammensetzung. Unter Voraussetzung, dass die Aufbau-, Pflege- und Gebrauchsanweisungen von Tunturi befolgt wurden, erstreckt sich die Garantie auf solche Fehler, die bei normaler und einem dem Gerät beiliegenden Anleitungsbuch entsprechender Benutzung auftreten können. Die Tunturi New Fitness BV und der Tunturi-Vertragshändler haften nicht für Fehler, die durch Faktoren außerhalb ihrer Einflussmöglichkeiten hervorgerufen wurden. Die Garantie gilt nur für den ursprünglichen Eigentümer und nur in den Ländern, in denen es einen von der Tunturi New Fitness BV autorisierten Importeur gibt. Die Garantie gilt nicht für solche Fitnessgeräte oder Teile, an denen ohne Zustimmung der Tunturi New Fitness BV Veränderungen vorgenommen worden sind. Die Garantie betrifft auch nicht solche Schäden, die durch natürlichen Verschleiß, fehlerhaften Gebrauch, Benutzung unter für das Gerät nicht vorgesehenen Umständen, Korrosion, Verladung oder Transport hervorgerufen wurden.

Ersatzleistungen aufgrund von Geräuschen, die beim Einsatz des Geräts auftreten, sind von der Garantie ausgeschlossen, sofern diese Geräusche den Gebrauch des Geräts nicht wesentlich beeinträchtigen und nicht durch einen Gerätefehler bedingt sind.

Die Garantie beinhaltet keine Wartungsmaßnahmen, wie Reinigung, Schmieren oder normales Kontrollieren der Teile, auch nicht solche Aufbaumaßnahmen, die der Kunde selbst ausführen kann und die kein spezielles Auseinander- oder Zusammenbauen des Fitnessgeräts erfordern. Zu solchen Maßnahmen gehört beispielsweise das Austauschen von Cockpits, Pedalen oder anderer entsprechender einfacher Teile. Andere als die durch einen autorisierten Tunturi-Vertreter ausgeführten Garantieleistungen werden nicht ersetzt. Durch unsachgemäße, d.h. nicht der Bedienungsanleitung entsprechenden, Bedienung, verfällt jedweder Garantieanspruch.

## Reinigung und Wartung

### ⚠️ WARNUNG

- Ziehen Sie vor der Reinigung und Wartung den Netzstecker aus der Wandsteckdose.
  - Verwenden Sie zur Reinigung des Geräts keine Lösungsmittel.
- Blockieren Sie nicht die Belüftungsöffnungen. Halten Sie die Belüftungsöffnungen frei von Staub, Schmutz und anderen Hindernissen.
  - Reinigen Sie das Gerät nach dem Gebrauch mit einem weichen aufnahmefähigen Lappen.
  - Reinigen Sie die sichtbaren Teile des Geräts mit einem Staubsauger mit kleiner Saugdüse.
  - Prüfen Sie regelmäßig, ob alle Schrauben und Muttern fest sind.

### Gurt und Lauffläche

Ihr Laufband hat ein sehr hocheffizientes reibungsarmes Band. Die Leistung wird erhöht, wenn die Lauffläche so sauber wie möglich ist. Verwenden ein weiches, feuchtes Tuch oder Papier, um die Ecken des Gurts und den Bereich zwischen Gurt und Rahmen zu reinigen. Reichen Sie dabei auch soweit wie möglich unter die Bändecken. Dies sollten Sie einmal im Monat tun, um die Lebensdauer der Lauffläche zu erhalten. Verwenden Sie nur Wasser - keine Reinigungs- oder Scheuermittel. Ein milde Seifenlösung mit einem Nylonscheuerschwamm kann verwendet werden, um die Oberfläche des Stoffbands zu reinigen. Das Band sollte vor der Nutzung getrocknet sein.

## Schmierung (Abb. F-6)

Das Laufband muss regelmäßig auf gute Schmierung geprüft werden. Das Laufband wird vor der Montage auf Ihrem Laufrainer bei der Herstellung des Gerätes geschmiert. Daher ist es nicht erforderlich, das Laufband bei der erstmaligen Inbetriebnahme zu schmieren.

### ⚠️ WARNUNG

- Ziehen Sie vor der Schmierung den Netzstecker aus der Wandsteckdose.

### ⚠️ VORSICHT

- Wir empfehlen, die Laufmatten-Schmierung mindestens einmal im Monat zu überprüfen da die Schmierungsbedingungen von mehreren Faktoren beeinflusst werden können.
- Schmieren Sie das Laufband nur, wenn dies erforderlich ist. Wird zu viel Schmiermittel aufgetragen, kann das Laufband aufgrund mangelnder Reibung leicht durchrutschen.

- Stellen Sie sich ruhig auf das Laufband.
- Halten Sie sich am vorderen Handgriff fest und schieben Sie das Laufband mit Ihren Füßen nach vorne und hinten. Das Laufband muss sich geschmeidig und gleichmäßig ohne Geräuschentwicklung bewegen.
- Falls sich das Laufband nicht geschmeidig und gleichmäßig bewegt, oder falls es sich überhaupt nicht bewegt, fassen Sie mit den Fingerspitzen an die Unterseite des Laufbandes, um die Schmierung zu kontrollieren:
  - Falls Sie Schmiermittel fühlen können oder falls Ihre Fingerspitzen glänzen, ist genügend Schmierung am Laufband vorhanden.
  - Falls Sie kein Schmiermittel mit Ihren Fingerspitzen fühlen können oder falls die Fingerspitzen staubig und rau sind, tragen Sie Schmiermittel (15-20 ml) in der Mitte des Laufwerks unter dem Laufband auf und lassen Sie das Gerät mit ca. 5 km/h mindestens 5 Minuten lang laufen.
  - Klappen Sie das Gerät nach der Schmierung erst zusammen, wenn Sie ca. 20 Minuten lang bei einer Geschwindigkeit von mindestens 5 km/h ein Training durchgeführt haben. Das Schmiermittel verteilt sich gleichmäßig über das Laufband.

### Bandstaub

Dies kommt bei normalem Einlaufen oder bei der Bandstabilisierung vor. Wischen Sie ihn mit einem feuchten Tuch auf.

### Allgemeine Reinigung

Dreck, Staub und Tierhaare können die Ventilation verstopfen und sich auf dem Band sammeln. Monatlich: Unter dem Laufband staubsaugen. Zweimal im Jahr sollte die schwarz Motorabdeckung entfernt und gesaugt werden. VOR DER REINIGUNG STROMKABEL ABZIEHEN.

### Gurteinstellungen

Die Einstellung wird an der hinteren Rolle vorgenommen. Die Einstellungsschrauben befinden sich am Ende der Schienen in den Endkappen.

- Ziehen Sie die hinteren Rollenschrauben (im Uhrzeigersinn) soweit fest, dass ein Abrutschen von der vorderen Rolle verhindert wird. Drehen Sie beide Laufband-Zugspannungseinstellungsschrauben stufenweise um 1/4-Umdrehung und überprüfen Sie jeweils die Zugspannung, indem Sie bei geringer Geschwindigkeit auf dem Band laufen. Das Band sollte nicht verrutschen. Ziehen Sie die Schrauben soweit an, dass das Band nicht mehr verrutscht.
- Wenn Sie das Gefühl haben, dass das Band genügend gespannt ist, aber immer noch verrutscht, könnte die Ursache ein loses Motorantriebsband unter der vorderen Abdeckung sein.



- Nicht Überspannen  
Eine Überspannung führt zu Schäden am Band und vorzeitigem Verschleiß der Lager.

### Laufband-spureinstellung:

Die Leistung Ihres Laufbands hängt davon ab, dass es auf einer geraden Oberfläche läuft. Wenn der Rahmen nicht gerade ist, können die vorderen und hinteren Rollen nicht parallel laufen und das Band muss immer nachgestellt werden.

Das Laufband wurde so entwickelt, dass das Band immer in der Mitte läuft. Bei einigen Bändern ist es normal, dass das Band zu einer Seite zieht, wenn keine Person darauf läuft. Nach ein paar Minuten der Nutzung sollte sich das Band von alleine zentriert haben. Wenn der Gurt bei der Nutzung zu einer Seite zieht, muss dies eingestellt werden.

### AUSNAHME:

In der Reha, bei der Benutzer ein Bein stärker belasten als das andere, kann es vorkommen, dass das Band zu einer Seite zieht. In diesen Fällen sollten Sie das Band nicht einstellen, es sei denn, das Band verläuft bei normaler Nutzung nicht mehr zentral.

### Einstellung der laufbandspur (Abb. F-5)

Für die hintere Rolle wird ein 6 mm-Inbusschlüssel benötigt. Spureinstellungen müssen von der linken Seite erfolgen. Stellen Sie die Bandgeschwindigkeit auf etwa 3 bis 5 km/h ein.

Denken Sie daran, dass eine kleine Änderung große Folgen haben kann!

Drehen Sie die Schraube auf der linken Seite im Uhrzeigersinn, um das Band nach rechts zu ziehen. Drehen Sie gegen den Uhrzeigersinn, zieht das Band nach links. Drehen Sie die Schraube nur etwa 1/4 Umdrehung und warten Sie ein paar Minuten, bis sich das Band selbst nachführt. Machen Sie eine weitere 1/4-Umdrehung, bis sich das Band in der Mitte der Lauffläche stabilisiert.

Das Band muss möglicherweise regelmäßig nachgestellt werden, je nach Nutzungs- und Laufverhalten. Verschiedene Benutzer wirken unterschiedlich auf das Band. Sie müssen das Band so einstellen, dass es in der Mitte der Fläche verläuft. Die Einstellungen werden im Laufe der Nutzung weniger aufwändig. Eine richtige Bandspurführung liegt in der Verantwortung des Besitzers.

### ⚠ HINWEIS

- Schäden am Laufband durch fehlerhafte spur-/ zugeinstellungen, sind nicht von der Garantie abgedeckt.

## Betriebs- störungen

Trotz kontinuierlicher Qualitätsüberwachung können vereinzelt an den Geräten durch einzelne Komponenten verursachte Funktionsstörungen auftreten. Dabei ist es nicht angebracht, das ganze Gerät zur Reparatur zu bringen, da der Fehler meistens durch Austauschen der defekten Komponente behoben werden kann.

Wenn das Gerät während des Gebrauchs nicht einwandfrei funktioniert, wenden Sie sich bitte umgehend an die für Sie zuständige Tunturi- Alleinvertretung. Beschreiben Sie das Problem, die Einsatzbedingungen und teilen Sie das Kaufdatum und die Typenbezeichnung und die Seriennummer Ihres Gerätes mit.

Wenden Sie sich an Ihre nationale Tunturi-Vertretung, wenn Sie Ersatzteile benötigen. Beschreiben Sie die Einsatzbedingungen und teilen Sie das Kaufdatum und die Seriennummer des Gerätes mit. Die Ersatzteilnummern finden Sie in der Liste am Ende dieser Anweisung. Nur Teile in der Ersatzteilliste dürfen verwendet werden.

## Transport und Lagerung

### ⚠ WARNUNG

- Ziehen Sie vor der Reinigung und Wartung den Netzstecker aus der Wandsteckdose.
- Tragen und bewegen Sie das Gerät mit mindestens zwei Personen.
- Vergewissern Sie sich, dass sich keine Personen oder Gegenstände unter dem Gerät befinden.

- Bewegen Sie das Gerät wie angegeben (Abb. F3). Bewegen Sie das Gerät und setzen Sie es vorsichtig ab. Stellen Sie das Gerät auf eine schützende Unterlage, um Schäden am Bodenbelag zu vermeiden. Bewegen Sie das Gerät vorsichtig über unebene Böden. Bewegen Sie das Gerät nicht auf den Rädern Treppen herauf, sondern tragen Sie es an den Handgriffen.
- Lagern Sie das Gerät in aufrechter Position (Abb. F1). Lagern Sie das Gerät an einem trockenen Ort mit möglichst wenig Temperaturschwankungen.

### Aufbewahrung in vertikaler Position.

#### ⚠ ACHTUNG

- Achten Sie bei der Aufbewahrung des Laufbands in vertikaler Position darauf, dass es ausreichend stabil ist, um sein Eigengewicht zu tragen.

Wir empfehlen, das Laufband nur in Räumen horizontal zu lagern, in denen nur geringer Menschenverkehr oder Bewegung herrscht. Der ideale Aufbewahrungsort ist neben einer Wand oder einem Schrank.

## Zusätzliche Informationen

### Verpackungsentsorgung

Staatliche Vorschriften sagen, dass wir die in Deponien entsorgten Abfallmengen verringern sollen. Daher bitten wir Sie, den gesamten Verpackungsabfall an öffentlichen Recyclingstellen abzugeben.

### Entsorgung am ende der Lebensdauer

Wir bei Tunturi hoffen, dass Sie Ihren Fitnesstrainer viele Jahre mit Freude nutzen werden. Jedoch wird irgendwann die Zeit kommen, wenn die Ende der Nutzungsdauer des Fitnesstrainers erreicht ist. Gemäß den europäischen WEEE-Gesetzen sind Sie für eine geeignete Entsorgung des Fitnesstrainers bei einer anerkannten öffentlichen Entsorgungsstelle verantwortlich.

## Technische Daten

Parameter	Maß-einheit	Wert
Netzspannung	VAC	210 ~ 240
Netzfrequenz	HZ	50 ~ 60
Geschwindigkeit	Km/H	1.0 ~ 12.0
Steigung	Schritt	☒
Länge (zusammengeklappt)	Cm	148.0 ( 155.0)
Breite	Cm	73.0
Höhe (zusammengeklappt)	Cm	121.0 (16.0)
Gewicht	Kg	36.0
Telemetrischer Herzfrequenz- empfänger	Handgrif kontakt 5.3~ 5.4 Khz. Bluetooth (BLE) ANT+	☒ ☒ ☒ ☒

## Herstellereklärung

Tunturi New Fitness BV erklärt hiermit, dass das Produkt folgenden Normen und Richtlinien entspricht: EN 957 (HC), 2014/30/EU. Das Produkt trägt daher das CE-Kennzeichen.

04-2020

Tunturi New Fitness BV  
Purmerweg 1  
1311 XE Almere  
The Netherlands

## Haftungsausschluss

© 2020 Tunturi New Fitness BV  
Alle Rechte vorbehalten.

- Produkt und Handbuch können geändert werden.
- Die technischen Daten können ohne Vorankündigung geändert werden.
- Auf unserer Website finden Sie die neueste Version des Benutzerhandbuchs.

## Français

Ce manuel français est une traduction de la version anglaise. Notez que la version anglaise est en tête dans le contenu lorsque des différences sont trouvées.

## Indice

<b>Bienvenue</b> .....	<b>27</b>
<b>Avertissements de sécurité</b> .....	<b>27</b>
Sécurité électrique .....	28
<b>Instructions de montage</b> .....	<b>28</b>
Illustration de description A .....	28
Illustration de description B .....	28
Illustration de description C .....	28
Assemblage (Fig. D) .....	28
<b>Exercices</b> .....	<b>28</b>
Instructions d'entraînement .....	29
<b>Usage</b> .....	<b>29</b>
Plier et déplier l'appareil. ....	30
<b>Interface de l'utilisateur (fig. E-1)</b> .....	<b>30</b>
Boutons... de l'écran .....	30
Boutons de la télécommande .....	30
Explication des éléments d'affichage (Fig. E-1) .....	31
Programmes pré-réglés (P1-P3).....	31
<b>Garantie</b> .....	<b>31</b>
<b>Nettoyage et maintenance</b> .....	<b>32</b>
Tapis et surface .....	32
Lubrification (fig. F-6) .....	32
<b>Defauts de fonctionnement</b> .....	<b>33</b>
<b>Transport et rangement</b> .....	<b>33</b>
Informations supplémentaires.....	33
<b>Données techniques</b> .....	<b>34</b>
<b>Déclaration du fabricant</b> .....	<b>34</b>
<b>Limite de responsabilité</b> .....	<b>34</b>

## Bienvenue

Bienvenue dans l'univers de Tunturi Fitness !  
 Merci pour votre achat de cet élément d'équipement Tunturi.  
 Tunturi offre toute une gamme d'équipements de fitness professionnels, notamment des vélos elliptiques, tapis de course, vélos d'appartement, rameurs, bancs de musculation, multi stations et accessoires. Les équipements Tunturi sont parfaits pour toute la famille, quel que soit le niveau de forme de ses membres. Pour en savoir plus, visitez notre site Web [www.tunturi.com](http://www.tunturi.com)

### Consignes de sécurité importantes

Lisez attentivement ce Mode d'emploi avant d'assembler, d'utiliser ou d'effectuer l'entretien de votre appareil sportif. Veuillez conserver ce guide, il contient les renseignements dont vous aurez besoin, maintenant et plus tard, pour utiliser et entretenir votre appareil. Suivez toujours les instructions très rigoureusement.

## Avertissements de sécurité

### ⚠ AVERTISSEMENT

- Lisez les avertissements de sécurité et les instructions. Le non respect des avertissements de sécurité et des instructions est une source de blessure et de dégâts de l'équipement. Conservez les avertissements de sécurité et les instructions pour référence ultérieure.

### ⚠ AVERTISSEMENT

- Les systèmes de suivi de la fréquence cardiaque peuvent être inexacts. Un exercice excessif peut entraîner des blessures graves voire mortelles. Si vous vous sentez défaillir, interrompez immédiatement l'exercice.
- L'équipement est uniquement adapté à un usage domestique. L'équipement ne convient pas à un usage commercial.
  - La durée d'utilisation maximum est limitée à 2 heures par jour.
  - L'emploi de cet équipement par des enfants ou des personnes affectés d'un handicap physique, sensoriel, mental ou moteur, voire dont l'expérience ou les connaissances s'avèrent insuffisantes est une source de risques. Les personnes chargées de leur sécurité doivent leur fournir des instructions explicites ou superviser leur usage de l'équipement.
  - Avant de commencer vos exercices, effectuez un bilan de santé auprès d'un médecin.
  - Si vous êtes pris de nausées ou de vertiges ou sentez d'autres symptômes normaux pendant l'entraînement, interrompez immédiatement la session et consultez votre médecin.
  - Afin d'éviter toutes douleurs et tensions musculaires, commencez vos séances par des échauffements et terminez-les par une récupération. N'oubliez pas de vous étirer après vos exercices.
  - L'équipement est uniquement adapté à un usage intérieur. L'équipement ne convient pas à un usage extérieur.
  - Utilisez l'équipement uniquement dans des environnements correctement ventilés. N'utilisez pas l'équipement dans des endroits exposés aux courants d'air afin de ne pas vous enrhumier.
  - Utilisez l'équipement uniquement à une température ambiante entre 10 °C~35 °C. Rangez l'équipement uniquement à une température ambiante entre 5 °C~45 °C.
  - N'utilisez et ne rangez pas l'équipement dans un environnement humide. L'humidité de l'air ne doit jamais dépasser 80 %.
  - Utilisez l'équipement uniquement pour son usage prévu. N'utilisez pas l'équipement pour d'autres usages que ceux décrits dans le manuel.
  - N'utilisez pas l'équipement si l'une de ses pièces est endommagée ou défectueuse. Si une pièce est endommagée ou défectueuse, contactez votre revendeur.
  - Maintenez vos mains, vos pieds et les autres parties de votre corps à l'écart des pièces mobiles.
  - Maintenez votre chevelure à l'écart des pièces mobiles.
  - Portez des vêtements et des chaussures adaptés.
  - Maintenez les vêtements, bijoux et autres objets à l'écart des pièces mobiles.
  - Assurez-vous qu'une seule personne utilise l'équipement à la fois. L'équipement ne doit pas être utilisé par des personnes pesant plus de 100 kg (220 lbs).
  - N'ouvrez pas l'équipement sans consulter votre revendeur.

## Sécurité électrique

(Uniquement pour les équipements à alimentation électrique)

- Avant usage, assurez-vous toujours que la tension secteur est identique à celle de la plaque signalétique de l'équipement.
- N'utilisez pas de rallonge.
- Maintenez le câble secteur à l'écart de la chaleur, de l'huile et des bords coupants.
- N'altérez et ne modifiez aucunement le câble secteur ou la fiche secteur.
- N'utilisez pas l'équipement si le câble secteur ou la fiche secteur est endommagé ou défectueux. Si le câble secteur ou la fiche secteur est endommagé ou défectueux, contactez votre revendeur.
- Déroulez toujours complètement le câble secteur.
- Ne passez pas le câble secteur sous l'équipement. Ne passez pas le câble secteur sous un tapis. Ne placez aucun objet sur le câble secteur.
- Assurez-vous que le câble secteur ne pend pas sur le bord d'une table. Assurez-vous que le câble secteur ne peut pas être happé par accident ou faire trébucher.
- Ne laissez pas l'équipement sans surveillance si la fiche secteur est insérée dans la prise murale.
- Ne tirez pas sur le câble secteur pour retirer la fiche secteur de la prise murale.
- Retirez la fiche secteur de la prise murale lorsque l'équipement n'est pas utilisé, avant l'assemblage et le démontage et avant le nettoyage et la maintenance.

### ⚠ AVERTISSEMENT

- Une variation de tension d'au moins dix pour cent (10 %) peut avoir une incidence sur les performances du tapis de course. De telles conditions ne sont pas couvertes par votre garantie. Si vous avez l'impression que la tension est trop basse, vous devez contacter votre compagnie d'électricité ou un électricien qualifié pour tester le circuit électrique.

### ⚠ AVERTISSEMENT

- Eloignez de câble d'alimentation de toute pièce mobile du tapis de course, y compris du mécanisme d'inclinaison et des roulettes destinées au transport.

### Instructions de mise à la terre

Ce produit doit être mis à la terre. Si le système électrique du tapis de course présente une défaillance ou une panne, sa mise à la terre fournit un chemin de moindre résistance au courant électrique, réduisant ainsi le risque de décharge électrique. Ce produit est équipé d'un câble pourvu d'une fiche de terre. Cette fiche doit être branchée dans une prise appropriée, correctement installée et mise à la terre conformément aux normes et règlements locaux.

### ⚠ AVERTISSEMENT

- Un branchement inadéquat du conducteur de terre peut entraîner des risques de décharge électrique. Veuillez consulter un électricien qualifié si vous avez des doutes sur la mise à la terre du produit selon les règles. Ne modifiez pas la fiche fournie avec le produit lorsqu'elle n'entre pas dans la prise ; faites installer une prise adéquate par un électricien qualifié.

## Instructions de montage

### Illustration de description A

Cette illustration montre ce à quoi le trainer ressemblera une fois le montage terminé.

Vous pouvez l'utiliser au titre de référence lors du montage mais suivez bien les étapes de montage dans l'ordre indiqué tel que les illustrations le montrent.

### Illustration de description B

Cette illustration montre les composants et les pièces que vous devez trouver après avoir déballé le produit.

#### ⚠ REMARQUE

- Les petites pièces peuvent être cachées/rangées dans des espaces de la protection en polystyrène du produit.
- Si une pièce manque, contactez votre revendeur.

### Illustration de description C

Cette illustration montre le kit de quincaillerie fourni avec le produit.

### Assemblage (Fig. D)

Le produit est livré entièrement assemblé dans son carton.

Le produit est livré plié dans son carton.

#### ⚠ REMARQUE

- Pour déplier le tapis de course, voir le chapitre « Plier et déplier l'équipement » du présent manuel.

#### ⚠ AVERTISSEMENT

- Deux personnes au moins sont nécessaires pour transporter et déplacer l'équipement.

#### ⚠ PRÉCAUTION

- Placez l'équipement sur une surface plane et ferme.
- Placez l'équipement sur une base protectrice pour éviter d'endommager la surface du sol.
- Prévoyez un dégagement d'au moins 100 cm autour de l'équipement.

## Exercices

Un exercice doit être suffisamment léger mais prolongé. L'exercice aérobique repose sur l'amélioration de l'absorption maximum d'oxygène par le corps, améliorant à son tour l'endurance et la forme. Vous devez transpirer mais sans jamais être à bout de souffle durant l'exercice.

Pour atteindre et entretenir un niveau de forme basique, exercez-vous au moins 3 fois par semaine, par session de 30 minutes. Accroissez le nombre des sessions d'exercice pour améliorer votre niveau de forme. Il est profitable de combiner un exercice régulier et un régime sain. Une personne suivant un régime doit s'exercer au quotidien, au début 30 minutes ou moins pour chaque session afin d'accroître ensuite progressivement le temps d'exercice quotidien pour atteindre une heure. Commencez vos exercices à une vitesse lente et avec une faible résistance pour éviter de soumettre le système cardiovasculaire à une contrainte excessive. À mesure de l'amélioration de votre forme, accroissez progressivement la vitesse et la résistance. L'efficacité de votre exercice est mesurable en suivant votre fréquence cardiaque et votre pouls.

## Instructions d'entraînement

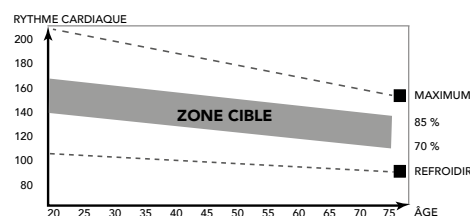
L'utilisation de votre appareil de fitness vous procurera plusieurs avantages : il vous permettra d'améliorer votre forme physique, de tonifier vos muscles et, associé à un régime hypocalorique, de perdre du poids.

### Phase d'échauffement

Cette étape favorise la circulation du sang dans tout le corps et le bon fonctionnement des muscles. Elle réduit également le risque de crampes et de lésions musculaires. Il est conseillé de faire quelques exercices d'étirement, comme ceux qui sont indiqués ci-dessous. Chaque étirement doit être maintenu pendant environ 30 secondes. Ne forcez pas ou n'étirez pas excessivement un muscle. Si vous sentez qu'une position vous fait mal, ARRÊTEZ.

### Phase d'exercice

C'est l'étape principale de votre entraînement. Après une utilisation régulière de l'appareil, vous sentirez que les muscles de vos jambes ont gagné en souplesse. Il est très important de maintenir un rythme régulier tout au long de la séance. Le rythme de travail doit être suffisant pour faire monter votre rythme cardiaque dans la zone cible indiquée sur le graphique ci-dessous.



Cette étape doit durer au moins 12 minutes, bien que l'on commence généralement à environ 15-20 minutes.

### Phase de refroidissement

Cette étape a pour objectif de laisser votre système cardiovasculaire et vos muscles reprendre leur rythme normal. Il s'agit d'une répétition de l'exercice d'échauffement. Baissez le rythme et continuez pendant environ 5 minutes. Vous devez ensuite refaire les exercices d'étirement et souvenez-vous de ne pas forcer ou trop étirer un muscle dans une certaine position.

À mesure que vous améliorerez votre forme, vous ressentirez peut-être le besoin de vous entraîner plus longtemps ou de faire des entraînements plus poussés.

Il est conseillé de s'entraîner au moins trois fois par semaine et, si possible, d'espacer les séances régulièrement tout au long de la semaine.

### Tonification musculaire

Pour tonifier vos muscles à l'aide de l'appareil de fitness, vous devrez sélectionner une résistance assez élevée. Les muscles de vos jambes seront davantage sollicités et vous ne pourrez peut-être pas vous entraîner aussi longtemps que vous le voudriez. Si vous souhaitez également améliorer votre forme, vous devrez modifier votre programme d'entraînement. Entraînez-vous normalement pendant les phases d'échauffement et de refroidissement, mais vers la fin de l'exercice, augmentez la résistance en faisant travailler vos jambes davantage. Vous devrez réduire la vitesse pour maintenir votre rythme cardiaque dans la zone cible.

### Perte de poids

Ici, le facteur important est l'effort que vous déployez. Plus vous entraînez longtemps et de manière soutenue, plus vous brûlerez de calories. C'est en réalité le même principe que pour l'entraînement d'amélioration de la forme ; la différence est l'objectif recherché.

## Usage

### Interrupteur d'alimentation principale (fig. E-2A)

L'équipement comporte un interrupteur d'alimentation principale pour le mettre complètement hors tension.

### Démarrage de l'équipement:

- Insérez la fiche secteur dans l'équipement.
- Insérez la fiche secteur dans la prise murale.
- Positionnez l'interrupteur d'alimentation principale sur marche (ON).

### Arrêt de l'équipement :

- Positionnez l'interrupteur d'alimentation principale sur arrêt (OFF).
- Retirez la fiche secteur de la prise murale.
- Retirez la fiche secteur de l'équipement.

### Clé de sécurité (Fig. F-4)

L'appareil est muni d'une clé de sécurité qui doit être correctement insérée dans la fente située sur le dessus de la poignée pour démarrer l'équipement. Si vous retirez la clé de sécurité de la fente, l'appareil s'arrête immédiatement.

- Insérez la clé de sécurité dans la fente sur le dessus de la poignée.
- Assurez-vous que le clip de la clé de sécurité est bien fixé à vos vêtements.
- Assurez-vous que le clip n'est pas retiré de vos vêtements avant que la clé de sécurité ne soit retirée de la console.

### REMARQUE

- La console affichera le code E7 lorsque la clé de sécurité n'est pas en position pendant le démarrage.

### Disjoncteur (Fig. E-2B)

L'équipement comporte un disjoncteur qui coupe le circuit d'alimentation si la charge électrique dépasse la capacité maximum. En ce cas, vous devez appuyer sur le disjoncteur.

### AVERTISSEMENT

- Avant d'appuyer sur le disjoncteur, retirez la fiche secteur de l'équipement.

Si l'équipement s'arrête, procédez comme suit pour le redémarrer :

- Retirez la fiche secteur de l'équipement.
- Appuyez sur le disjoncteur pour redémarrer l'équipement.
- Insérez la fiche secteur dans l'équipement.

### REMARQUE

- Certains disjoncteurs utilisés dans des habitations ne sont pas conçus pour les appels de courant importants qui peuvent se produire lors de la mise en marche d'un tapis de course, voire pendant une utilisation normale. Si votre tapis de course déclenche le disjoncteur (même si la tension est correcte et si le tapis est le seul appareil branché sur le circuit), mais si le disjoncteur du tapis de course ne se déclenche pas, vous devez remplacer le disjoncteur par un type conçu pour des appels de courant importants. Il ne s'agit pas d'un défaut de garantie. C'est une situation qui échappe à notre contrôle en tant que fabricant.

## Plier et déplier l'appareil.

### REMARQUE

- Avant de plier ou de déplier l'appareil, assurez-vous que la télécommande est retirée du support afin d'éviter de la faire tomber.
- Les deux leviers de serrage (8) peuvent être retirés et repositionnés librement sans serrer ou desserrer le dispositif. Desserrez les leviers de serrage (8) et tournez pour ajuster la fixation.

### Déplier l'appareil (Fig. F1)

#### - Lorsqu'il est en position de stockage verticale

- Tout en soutenant le cadre du tapis de course, desserrez le bouton de fixation du cadre stabilisateur (43) situé du côté droit du cadre stabilisateur (42) en le faisant tourner dans le sens contraire des aiguilles d'une montre.
- Inclinez légèrement le cadre principal vers l'avant et pliez le cadre stabilisateur.
- Tout en soutenant le cadre du tapis de course, serrez le bouton de fixation du cadre stabilisateur (43) situé du côté droit du cadre stabilisateur (42) en le faisant tourner dans le sens des aiguilles d'une montre.
- Abaissez le tapis de course de la position verticale en position horizontale.

#### - Lorsqu'il est en position de stockage horizontale

- Tournez les deux leviers de serrage (8) dans le sens antihoraire pour desserrer la fixation de la poignée.
- Inclinez la poignée en position verticale. (angle légèrement en avant)
- Tournez les deux leviers de serrage (8) dans le sens horaire pour serrer la fixation de la poignée.
- L'appareil est maintenant prêt à utiliser.

Reportez-vous aux illustrations pour savoir comment déplier correctement l'appareil.

### Plier l'appareil (Fig. F2)

#### - Quand il est en position prête à l'emploi

- Tournez les deux leviers de serrage (8) dans le sens antihoraire pour desserrer la fixation.
- Guidez la poignée en position horizontale vers le bas.
- Tournez les deux leviers de serrage (8) dans le sens horaire pour serrer la fixation.
- L'appareil est maintenant en position de stockage horizontale.

#### - Lorsqu'il est en position de stockage horizontale

- Inclinez le cadre du tapis de course en position verticale en le soulevant sur le cadre principal (ne soulevez pas le tapis de course en tenant la poignée).
- Tout en soutenant le cadre du tapis de course, desserrez le bouton de fixation du cadre stabilisateur (43) situé du côté droit du cadre stabilisateur (42) en le faisant tourner dans le sens contraire des aiguilles d'une montre.
- Inclinez légèrement le cadre principal vers l'avant et dépliez le cadre stabilisateur.
- Tout en soutenant le cadre du tapis de course, serrez le bouton de fixation du cadre stabilisateur (43) situé du côté droit du cadre stabilisateur (42) en le faisant tourner dans le sens des aiguilles d'une montre.
- L'appareil est maintenant en position de stockage verticale

Reportez-vous aux illustrations pour savoir comment plier correctement l'appareil.

## Interface de l'utilisateur (fig. E-1)



### PRÉCAUTION

- Maintenez la console à l'écart de la lumière directe du soleil.
- Séchez la surface de la console dès qu'elle est couverte de gouttes de sueur.
- Ne vous appuyez pas sur la console.
- Touchez l'affichage uniquement avec le bout du doigt. Assurez-vous de ne pas toucher l'affichage avec vos ongles ou des objets coupants.

### NOTE

- La console passe en mode de veille si l'équipement n'est pas utilisé pendant 10 minutes.

## Boutons de l'écran

### Start/ Stop

- Appuyez sur le bouton « Start/ Stop » pour commencer l'entraînement sélectionné lorsque le tapis de course est en mode arrêt. Après 3 secondes de compte à rebours, l'entraînement commence à 1,0 km/h.
- Appuyez sur « Start/ Stop » pour arrêter graduellement le tapis de course lorsqu'il est en mode entraînement.

### Mode

- Parcourir les paramètres de définition des objectifs en mode programmation. Sélectionner parmi : durée cible, distance cible ou calories cibles.

### Up

- Augmente la vitesse (1,0-12,0 km/h).
- En appuyant une fois la vitesse augmente de 0,1 km/h.
- En appuyant et en maintenant le bouton enfoncé pendant deux secondes, la vitesse augmentera plus rapidement.
- Changer les valeurs en mode programmation.

### Down

- Diminue la vitesse (1,0-12,0 km/h).
- En appuyant une fois, la vitesse diminue de 0,1 km/h.
- En appuyant et en maintenant le bouton enfoncé pendant deux secondes, la vitesse diminuera plus rapidement.
- Change les valeurs en mode programmation.

## Boutons de la télécommande

### Stop

- Appuyez sur le bouton « Stop » pour arrêter graduellement le tapis de course lorsqu'il est en mode entraînement.

### Start

- Appuyez sur le bouton « Start » pour commencer l'entraînement sélectionné lorsque le tapis de course est en mode arrêt. Après 3 secondes de compte à rebours, l'entraînement commence à 1,0 km/h.

**+ (plus)**

- Augmente la valeur en mode programmation.

**- (min.)**

- Diminue la valeur en mode programmation.

**Speed +**

- Augmente la valeur en mode programmation.
- Augmente la vitesse en mode entraînement.

**Speed -**

- Diminue la valeur en mode programmation.
- Diminue la vitesse en mode entraînement.

**M (Mode)**

Appuyez sur le bouton M en mode de programmation :

- 1 fois : Active le mode Durée cible. (30 clignote sur l'écran)
- 2 fois : Active le mode Distance cible (D et 1.0 clignotent sur l'écran)
- 3 fois : Active le mode Calories cible (50 clignote sur l'écran)

**P (Programme)**

Appuyez sur le bouton P en mode de programmation :

- 1 fois : Sélectionne le programme P1 (P1 et 10 s'affichent à l'écran)
- 2 fois : Sélectionne le programme P2 (P2 et 20 s'affichent à l'écran)
- 3 fois : Sélectionne le programme P3 (P3 et 30 s'affichent à l'écran)

**REMARQUE**

- La télécommande ne peut fonctionner correctement que si l'espace entre l'émetteur et le récepteur de la télécommande dans l'écran du cadre principal n'est obstrué par aucun objet.
- 2 piles AAA doivent être insérées dans la télécommande pour qu'elle puisse fonctionner.
- Remplacez les piles quand votre télécommande ne répond plus.

**Explication des éléments d'affichage (Fig. E-1)****Vitesse**

- Montre la vraie vitesse du tapis de course en mode entraînement.
- Plage d'affichage : 1,0-12,0 ± 0,1 km/h

**Distance**

- Montre la distance courue en mode entraînement.
- Plage de réglage : 0,0-99,9 km
- Plage d'affichage : 0,0-99,9 km

**Durée**

- Montre la durée courue en mode entraînement.
- Plage de réglage : 5-99 minutes
- Plage d'affichage : 0-59 sec. /1-99 minutes

**Calories**

- Montre les calories brûlées en mode entraînement.
- Plage de réglage : 10-300 kcal
- Plage d'affichage : 0-999 kcal

**P1, P2, P3, D, ⏸**

- P1, P2, P3 : Indique le programme sélectionné.
- D : Indique que le mode cible est sélectionné pour Distance. D est affiché lorsque le paramètre Distance est affiché en mode entraînement.
- ⏸ : Indique que le tapis de course est en mode arrêt.

**REMARQUE**

- Ces données sont fournies à titre indicatif pour comparer différentes séances d'entraînement. Elles ne doivent pas être utilisées dans le cadre d'un traitement médical.

**REMARQUE**

- L'affichage Calories/Distance contrôle toutes les 5 secondes.

**Programmes pré-réglés (P1-P3)**

L'appareil a 3 programmes pré-réglés avec différents profils. (Tableau Fig. G)

- Appuyez sur les boutons « P » pour sélectionner « P1-P3 ».

**Programme P1.**

Le programme P1 est un programme de course à intervalles fixes d'une durée fixe de 10 minutes.

**Programme P2.**

Le programme P2 est un programme de course à intervalles fixes d'une durée fixe de 20 minutes.

**Programme P3.**

Le programme P3 est un programme de course à intervalles fixes d'une durée fixe de 30 minutes.

**Garantie****Garantie du propriétaire d'un équipement de Tunturi****Conditions de garantie**

Le consommateur dispose des droits légaux accordés par la législation nationale applicable au commerce des produits de consommation courante et cette garantie ne limite ces droits en aucun cas. La « Garantie du propriétaire » est valable uniquement si l'équipement est utilisé dans l'environnement correspondant à celui déterminé par Tunturi New Fitness BV. L'environnement d'utilisation de chaque appareil est mentionné dans le mode d'emploi fourni avec l'appareil en question.

**Conditions de garantie**

Les conditions de garantie sont applicables à compter de la date d'achat et peuvent varier selon les pays. Demandez conseil à votre revendeur.

**Étendue de la garantie**

En aucun cas Tunturi New Fitness BV, le revendeur ou le distributeur Tunturi ne répondra des éventuels dommages spéciaux, indirects, secondaires ou consécutifs, de quelque nature que ce soit, liés à l'utilisation de ou à l'inaptitude à utiliser cet équipement.

## Restrictions de garantie

La garantie couvre les défauts de fabrication et de matériaux dans un équipement d'origine, sorti d'usine et conditionné par Tunturi New Fitness BV. La garantie couvre uniquement les défauts apparaissant lors d'une utilisation normale et conforme aux instructions du manuel du propriétaire, à condition que les instructions de montage, de maintenance et d'utilisation établies par Tunturi New Fitness BV aient été respectées. Tunturi New Fitness BV et les revendeurs Tunturi ne répondent pas des défauts occasionnés par des conditions indépendantes de leur volonté. La garantie est applicable uniquement au premier acheteur et est valable uniquement dans les pays où Tunturi New Fitness BV dispose d'un distributeur agréé. La garantie ne s'étend pas aux équipements de fitness ou aux pièces qui ont été modifiées sans l'autorisation de Tunturi New Fitness BV. La garantie ne s'applique pas aux défauts provenant d'une usure normale, d'une utilisation inadaptée, d'une utilisation dans des conditions non prévues par le fabricant, de la corrosion ou d'un dommage intervenu lors du chargement ou du transport.

La garantie ne couvre pas les sons ou les bruits émis par l'équipement s'ils ne gênent pas son utilisation et s'ils ne sont pas provoqués par un dysfonctionnement.

La garantie ne couvre pas non plus les mesures de maintenance, telles que le nettoyage, la lubrification ou la vérification normale des pièces, ni les actions que le client peut effectuer lui-même et qui n'exigent pas particulièrement de monter/ démonter l'équipement. Ces actions sont par exemple le changement des compteurs, des pédales ou autres pièces similaires faciles à changer. Seules les réparations sous garantie effectuées par un revendeur ou par le distributeur agréé Tunturi seront prises en charge. Le non-respect des instructions décrites dans le Manuel de l'Utilisateur entraînera l'annulation de la garantie.

## Nettoyage et maintenance

### ⚠ AVERTISSEMENT

- Avant le nettoyage et la maintenance, retirez la fiche secteur de la prise murale.
  - N'utilisez aucun solvant pour nettoyer l'équipement.
- Ne bloquez pas les ouvertures de ventilation. Débarrassez les ouvertures de ventilation de toute poussière, salissure ou obstruction.
  - Nettoyez l'équipement avec un chiffon doux et absorbant après chaque usage.
  - Nettoyez les parties visibles de l'équipement avec un aspirateur doté d'un petit suceur.
  - Vérifiez régulièrement le serrage de tous les écrous et vis.

### Tapis et surface

Votre tapis de course utilise une couche très efficace à faible friction. Les performances seront meilleures si la surface est régulièrement nettoyée. Utilisez un chiffon doux et humide ou une serviette en papier pour essuyer le bord du tapis et la zone entre le bord du tapis et le châssis. Allez aussi loin que possible sous le bord du tapis. Ce nettoyage doit être fait une fois par mois afin de prolonger la durée de vie du tapis et de la surface. Utilisez uniquement de l'eau - jamais de produits de nettoyage ou d'abrasifs. Nettoyez le dessus du tapis texturé avec une eau savonneuse douce et une brosse en nylon. Laissez sécher le tapis avant de l'utiliser.

## Lubrification (fig. F-6)

L'état de lubrification du tapis de course doit régulièrement être vérifié.

La bande de course du tapis de course est prélubrifiée avant d'être montée sur votre tapis pendant la production de l'appareil. Il n'est donc pas nécessaire de la lubrifier lors de la première utilisation.

### ⚠ AVERTISSEMENT

- Avant la lubrification, retirez la fiche secteur de la prise murale.

### ⚠ PRÉCAUTION

- Nous vous recommandons de vérifier le graissage de la bande en cours d'exécution au moins une fois par mois, car davantage de facteurs que le temps peuvent être déterminants pour l'état du lubrifiant.
- Lubrifiez le tapis roulant uniquement si c'est nécessaire. Une lubrification excessive peut faire patiner le tapis roulant du fait du manque de friction.

- Tenez-vous fermement sur le tapis roulant.
- Serrez le guidon avant et poussez le tapis roulant avec vos pieds afin de lui imprimer un mouvement avant-arrière. Le tapis roulant doit rouler régulièrement et silencieusement.
- Si le tapis roulant ne roule pas régulièrement et silencieusement ou s'il ne roule pas du tout, touchez la partie inférieure du tapis roulant avec vos doigts pour vérifier la lubrification.
  - Si vous sentez le lubrifiant ou si vos doigts sont brillants, le tapis est suffisamment lubrifié.
  - Si vous ne sentez pas le lubrifiant ou si vos doigts sont poussiéreux ou rugueux, appliquez du lubrifiant (15 à 20 ml) au milieu du plateau roulant sous le tapis roulant et laissez l'équipement fonctionner à 5 km/h durant au moins 5 minutes.
  - Après la lubrification, ne repliez pas l'équipement sans effectuer une session de 20 minutes à une vitesse d'au moins 5 km/h. Le lubrifiant se répartit uniformément ainsi sur tout le tapis roulant.

### Poussière de tapis

Le tapis dégage de la poussière lors d'un rodage normal jusqu'à ce que le tapis se stabilise. Essayez la poussière à l'aide d'un chiffon humide pour éviter qu'elle s'accumule.

### Nettoyage général

Les saletés, la poussière et les poils d'animaux peuvent bloquer les entrées d'air et s'accumuler sur le tapis. Tous les mois : passez l'aspirateur sous le tapis de course pour éviter l'accumulation. Retirez le capot noir du moteur deux fois par an et aspirez les saletés qui peuvent s'y accumuler.

DEBRANCHEZ L'APPAREIL AVANT LE NETTOYAGE.

- Serrez les boulons du rouleau arrière (dans le sens des aiguilles d'une montre) juste assez pour empêcher que le tapis patine sur le rouleau avant. Tournez les deux boulons de réglage de la tension du tapis par incréments d'un quart de tour et contrôlez la tension en marchant lentement sur le tapis et en vous assurant que celui-ci ne patine pas. Continuez à serrer les boulons jusqu'à ce que le tapis cesse de patiner.
- Si vous avez l'impression que le tapis est assez serré mais patine encore, le problème provient peut-être d'une courroie de transmission lâche sous le capot avant.
- Ne serrez pas trop: Un serrage excessif peut endommager le tapis et entraîner une défaillance prématurée des roulements.



**Centrage du tapis :**

Le niveau de performance de votre tapis de course dépend de la planéité de la surface sur laquelle il fonctionne. Lorsque le châssis n'est pas horizontal, le rouleau avant et le rouleau arrière ne peuvent pas rester parallèles et le tapis devra être centré sans cesse.

Cet appareil est conçu de façon à ce que le tapis reste raisonnablement centré lorsqu'il est en service. Il est normal que certains tapis ont tendance à dériver lorsque personne ne se trouve dessus. Après quelques minutes, le tapis devrait se centrer automatiquement. Si le tapis continue à dériver, il faudra le centrer.

**EXCEPTION:**

Lors d'une rééducation, pendant laquelle l'utilisateur marche sur une jambe plus forte que l'autre, il se peut que le tapis dérive. Dans de tels cas, vous ne devez pas centrer le tapis, à moins que le tapis ne se centre pas automatiquement dans des conditions d'utilisation normales.

**Pour centrer le tapis (fig. F-5)**

Une clé hexagonale coudée de 6 mm est fournie pour régler le rouleau arrière. Le réglage doit être effectué uniquement du côté gauche. Réglez la vitesse du tapis sur environ 3 à 5 km/h.

Rappelez-vous : un petit ajustement peut faire une différence considérable !

Tournez boulon sur le côté gauche dans le sens des aiguilles d'une montre pour déplacer le tapis vers la droite et dans le sens inverse pour le déplacer vers la gauche. Tournez le boulon seulement un quart de tour à la fois et attendez quelques minutes jusqu'à ce que le tapis se déplace. Continuez à faire des quarts de tour jusqu'à ce que le tapis se stabilise au centre.

Il se peut que vous deviez centrer le tapis de temps en temps en fonction de l'utilisation et de votre façon de marcher/de courir. Pour certains utilisateurs, le centrage se fera d'une façon différente. Attendez-vous à procéder aux ajustements nécessaires au centrage du tapis. Au fur et à mesure que le tapis est utilisé, ces ajustements vous causeront moins de soucis. Il est de la responsabilité de tout propriétaire de bien centrer son tapis de course.

**NOTE**

- Les dommages causés au tapis résultant d'un mauvais centrage / réglage de la tension ne sont pas couverts par la garantie.

**Defauts de fonctionnement**

En dépit d'un contrôle continu de la qualité, l'appareil peut présenter des défauts ou des anomalies de fonctionnement provenant de certains de ses composants. Dans ce cas, il n'est pas cependant nécessaire d'aller faire réparer votre appareil, le problème pouvant bien souvent être résolu par simple changement de la pièce défectueuse.

Contactez votre distributeur au cas où vous remarqueriez un défaut ou un mauvais fonctionnement de votre l'appareil ou si vous avez besoin de pièces de rechange. Indiquez-lui la nature du problème, les conditions d'utilisation, la date d'achat, le modèle et le numéro de série.

Vous trouverez la liste des pièces détachées à la fin de ce mode d'emploi. Seules des pièces mentionnées dans la liste des pièces de rechange peuvent être utilisées dans l'appareil.

**Transport et rangement****AVERTISSEMENT**

- Avant le nettoyage et la maintenance, retirez la fiche secteur de la prise murale.
- Deux personnes au moins sont nécessaires pour transporter et déplacer l'équipement.
- Assurez-vous que rien, ni personne ne se trouve sous l'équipement.

- Déplacez l'équipement comme illustré (fig. F3). Déplacez l'équipement et reposez-le prudemment. Placez l'équipement sur une base protectrice pour éviter d'endommager la surface du sol. Déplacez prudemment l'équipement sur les surfaces irrégulières. Ne déplacez pas l'équipement sur ses roues pour monter des escaliers mais transportez-le par les guidons.
- Rangez l'équipement à la verticale (fig. F1). Rangez l'équipement dans un endroit sec exposé à des variations de température minimales.

**Stockage en position verticale.****ATTENTION**

- Notez que lorsque vous rangez le tapis de course en position verticale, il est suffisamment stable pour supporter son propre poids.

Nous vous recommandons de ne stocker le tapis de course en position horizontale que dans un endroit où il n'y a pratiquement pas de passage ou de mouvement.

Le meilleur emplacement serait à côté d'un mur ou d'un placard.

**Informations supplémentaires****Élimination des emballages**

Les réglementations gouvernementales nous demandent de réduire la quantité de matériaux déposés dans les décharges. C'est pour cela que nous faisons appel à votre responsabilité et vous demandons de déposer les emballages dans des centres de recyclage publics.

**Élimination du produit**

Chez Tunturi, nous espérons que vous profiterez longtemps de votre appareil de fitness. Cependant, nous savons bien qu'un jour ou l'autre votre machine arrivera au terme de sa vie utile. Selon la directive européenne sur les DEEE, vous êtes responsable de vous séparer correctement de votre appareil de fitness en le déposant dans un site public agréé de récupération des déchets.

## Données techniques

Paramètre	Unité de mesure	Valeur
Tension secteur	VCA	210 ~ 240
Fréquence secteur	HZ	50 ~ 60
Vitesse	Km/H	1.0 ~ 12.0
Inclinaison	Étape	<input checked="" type="checkbox"/>
Longueur (replié)	Cm	148.0 ( 155.0)
Largeur	Cm	73.0
Hauteur (replié)	Cm	121.0 (16.0)
Poids	Kg	36.0
Récepteur de fréquence cardiaque téléométrique	Contact avec la poignée 5.3~ 5.4 Khz. Bluetooth (BLE) ANT+	<input checked="" type="checkbox"/> <input checked="" type="checkbox"/> <input checked="" type="checkbox"/> <input checked="" type="checkbox"/>

## Déclaration du fabricant

Tunturi Fitness BV déclare que le produit est conforme aux directives et normes suivantes : EN 957 (HC), 2014/30/EU. Ce produit porte donc la marque CE.

04-2020

Tunturi New Fitness BV  
Purmerweg 1  
1311 XE Almere  
Pays-Bas

## Limite de responsabilité

© 2020 Tunturi New Fitness BV  
Tous les droits réservés.

- Le produit et le manuel sont sujets à modifications.
- Les spécifications peuvent changer sans préavis.
- Consultez notre site Web pour obtenir la dernière version du manuel d'utilisation.

## Nederlands

Deze Nederlandse handleiding is een vertaling van de Engelse tekst. Aan deze vertaling kunnen geen rechten ontleend worden. De originele Engelse tekst blijft leidend.

## Inhoud

<b>Welkom</b> .....	<b>35</b>
<b>Veiligheidswaarschuwingen</b> .....	<b>35</b>
Elektrische veiligheid .....	36
<b>Montage instructies</b> .....	<b>36</b>
Beschrijving afbeelding A .....	36
Beschrijving afbeelding B.....	36
Beschrijving afbeelding C .....	36
Montage (fig. D).....	36
<b>Trainingen</b> .....	<b>36</b>
Instructies .....	37
<b>Gebruik</b> .....	<b>37</b>
In- en uitklappen van de apparatuur. ....	37
<b>Monitor (fig. E-1)</b> .....	<b>38</b>
Display Knoppen.....	38
Knoppen Afstandsbediening .....	38
Uitleg van de items op het display (Fig. E-1) .....	39
Voorgeprogrammeerde programma's (P1~P3) .....	39
<b>Garantie</b> .....	<b>39</b>
<b>Reiniging en onderhoud</b> .....	<b>40</b>
Smeren (fig. F-6).....	40
<b>Gebruiksstoringen</b> .....	<b>41</b>
<b>Transport en opslag</b> .....	<b>41</b>
Aanvullende informatie .....	41
<b>Technische gegevens</b> .....	<b>41</b>
<b>Verklaring van de fabrikant</b> .....	<b>41</b>
<b>Disclaimer</b> .....	<b>42</b>

## Welkom

Welkom in de wereld van Tunturi Fitness!

Hartelijk dank voor uw aankoop van dit Tunturi-toestel. Tunturi biedt een grote verscheidenheid aan professionele toestellen zoals crosstrainers, loopbanden, fietstrainers, roeimachines, krachtbanken, multistations en accessoires. Het Tunturi-toestel is geschikt voor de hele familie, onafhankelijk van de conditie. Meer informatie vindt u op de website [www.tunturi.com](http://www.tunturi.com)

### Belangrijke Informatie

Deze gids is een essentieel onderdeel van uw Tunturi trainer. Lees deze gids zorgvuldig door vóórdat u begint met monteren, gebruiken of onderhouden van uw trainer. Bewaar de gids op een handige plaats. U kunt er, nu en in de toekomst, nuttige informatie uithalen die u nodig heeft voor het gebruik en het onderhoud van de apparatuur. Volg de instructies altijd

## Veiligheidswaarschuwingen

### ⚠ WAARSCHUWING

- Lees de veiligheid-waarschuwingen en de instructies. Het niet opvolgen van de veiligheid-waarschuwingen en de instructies kan persoonlijk letsel of beschadiging van het toestel veroorzaken. Bewaar de veiligheid-waarschuwingen en instructies voor toekomstig gebruik.

### ⚠ WAARSCHUWING

- Hartslag-bewakingssystemen kunnen onnauwkeurig zijn. Overmatig trainen kan leiden tot ernstig letsel of de dood. Als u zich duizelig voelt, stop dan onmiddellijk met trainen.

- Het toestel is uitsluitend geschikt voor huishoudelijk gebruik. Het toestel is niet geschikt voor commercieel gebruik.
- Het maximum gebruik is beperkt tot 2 uur per dag
- Het gebruik van dit toestel door kinderen of personen met fysieke, sensorische, geestelijke of motorische handicaps, of met gebrek aan ervaring en kennis kan gevaar veroorzaken. De personen die verantwoordelijk zijn voor hun veiligheid moeten uitdrukkelijke instructies geven of toezicht houden op het gebruik van het toestel.
- Laat uw gezondheid door een arts controleren voordat u met uw training begint.
- Als u misselijkheid, duizeligheid of andere abnormale symptomen ervaart, stop dan onmiddellijk met uw training en raadpleeg een arts.
- Om spierpijn en te zware belasting te voorkomen, moet u elke training beginnen met een warming-up en eindigen met een cooling-down. Vergeet niet om uw spieren te strekken aan het einde van de training.
- Het toestel is uitsluitend geschikt voor gebruik binnenshuis. Het toestel is niet geschikt voor gebruik buitenshuis.
- Gebruik het toestel alleen in een omgeving met voldoende ventilatie. Gebruik het toestel niet in een tochtige omgeving om geen kou te vatten.
- Gebruik het toestel alleen in een omgeving met een omgevingstemperatuur tussen 10 °C~35 °C. Berg het toestel alleen op bij een omgevingstemperatuur tussen 5 °C~45 °C.
- Gebruik het toestel niet in een vochtige omgeving. Berg het toestel niet op in een vochtige omgeving. De luchtvochtigheid mag nooit meer zijn dan 80%.
- Gebruik het toestel alleen voor het doel waarvoor het gemaakt is. Gebruik het toestel niet voor andere doelstellingen dan beschreven in de handleiding.
- Gebruik het toestel niet als een onderdeel is beschadigd of niet goed werkt. Raadpleeg uw dealer als een onderdeel is beschadigd of niet goed werkt.
- Houd uw handen, voeten en andere lichaamsdelen uit de buurt van de bewegende delen.
- Houd uw haar uit de buurt van de bewegende delen.
- Draag geschikte kleding en schoenen.
- Houd kleding, sieraden en andere voorwerpen uit de buurt van de bewegende delen.
- Zorg ervoor dat het toestel slechts door één persoon tegelijk wordt gebruikt. Het toestel mag niet worden gebruikt door personen die meer dan 100 kg (220 lbs) wegen.
- Maak het toestel niet open zonder eerst uw dealer te raadplegen.

## Elektrische veiligheid

(Uitsluitend voor toestellen met elektrisch vermogen)

- Controleer voor gebruik altijd of de netspanning gelijk is aan de spanning op het typeplaatje van het toestel.
- Gebruik geen verlengsnoer.
- Houd het snoer uit de buurt van warmte, olie en scherpe randen.
- Verander of wijzig het snoer of de stekker niet.
- Gebruik het toestel niet als het snoer of de stekker beschadigd is of niet goed werkt. Als het snoer of de stekker is beschadigd of niet goed werkt, raadpleeg dan uw dealer.
- Rol het snoer altijd helemaal uit.
- Laat het snoer niet onder het toestel door lopen. Laat het snoer niet onder een kleed door lopen. Plaats geen voorwerpen op het snoer.
- Zorg ervoor dat het snoer niet over de rand van een tafel hangt. Zorg ervoor dat niemand per ongeluk achter het snoer kan blijven haken of erover kan struikelen.
- Laat het toestel niet onbewaakt achter wanneer de stekker in het stopcontact zit.
- Trek niet aan het snoer als u de stekker uit het stopcontact wilt halen.
- Verwijder de stekker uit het stopcontact wanneer het toestel niet in gebruik is, vóór montage of demontage en vóór reiniging en onderhoud.

### ⚠ WAARSCHUWING

- Als het voltage varieert met tien (10) procent, kan dit de prestaties van de loopband negatief beïnvloeden. Dergelijke omstandigheden vallen niet onder de garantie. Als u vermoedt dat het voltage te laag is, neemt u contact op met het lokale energiebedrijf of een bevoegd elektricien voor het uitvoeren van een test.

### ⚠ WAARSCHUWING

- Houd het stroom snoer uit de buurt van bewegende onderdelen van de loopband, inclusief het helling-mechanisme en de transportwielletjes.

## Aardingsinstructies

Dit product moet worden geaard. Als het elektrische systeem van de loopband niet goed/niet meer werkt, vormt aarding een pad van minste weerstand voor elektrische stroom, waardoor het risico van een elektrische schok afneemt. Dit product is voorzien van een koord met een aardingsstekker. De stekker moet in een geschikt stopcontact worden geplaatst dat op juiste wijze is gemonteerd en geaard in overeenstemming met alle lokale normen en verordeningen.

### ⚠ WAARSCHUWING

- Onjuiste aansluiting van de aardingsgeleider kan resulteren in risico van een elektrische schok. Neem contact op met een bevoegd elektricien of onderhoudsmonteur als u niet zeker weet of het product goed is geaard. Pas de stekker die met het product wordt geleverd niet aan wanneer het niet in het stopcontact past. Laat een geschikt stopcontact installeren door een bevoegd elektricien.

## Montage instructies

### Beschrijving afbeelding A

De illustratie laat zien hoe de trainer er na de montage uitziet. U kunt dit als referentie gebruiken tijdens de montage, maar volg de montageschappen altijd in de juiste volgorde, zoals aangegeven op de afbeeldingen.

### Beschrijving afbeelding B

De illustratie laat zien welke componenten en onderdelen er in uw pakket moeten zitten.

#### ⚠ OPMERKING

- Kleine onderdelen kunnen soms enigszins verborgen verpakt zitten in holle ruimtes in het beschermende piepschuimmateriaal om het product.
- Raadpleeg uw dealer als een onderdeel ontbreekt.

### Beschrijving afbeelding C

De afbeelding toont de hardwarekit die bij uw product wordt geleverd.

### Montage (fig. D)

Het product wordt volledig gemonteerd in de doos geleverd. Het product wordt in gevouwen toestand in de doos geleverd.

#### ⚠ OPMERKING

- Om de loopband uit te klappen, zie „In- en uitklappen van de apparatuur” in deze handleiding.

#### ⚠ WAARSCHUWING

- Draag en verplaats het toestel met minstens twee personen.

#### ⚠ VOORZICHTIG

- Zet het toestel op een stevige, vlakke ondergrond.
- Zorg voor een beschermende laag onder het toestel om schade aan het vloeroppervlak te voorkomen.
- Houd rondom de apparatuur ten minste een bewegingsruimte van 100 cm.

## Trainingen

De training moet licht genoeg zijn, maar wel langdurig. Aerobische training is gebaseerd op verbetering van de maximale zuurstofopname van het lichaam, die dan het uithoudingsvermogen en de conditie weer verbetert. U moet tijdens de training wel transpireren, maar u mag niet buiten adem raken. Voor het bereiken en in stand houden van een basisconditie moet u minstens drie keer per week steeds 30 minuten trainen. Verhoog het aantal trainingssessies ter verbetering van uw conditie. Het is de moeite waard om regelmatige lichaamsbeweging met gezonde voeding te combineren. Iemand die zich goed aan een dieet houdt, zou elke dag moeten trainen te beginnen met 30 minuten of korter, en de dagelijkse trainingsduur geleidelijk opvoeren tot één uur. Begin uw training bij een lage snelheid en een lage weerstand om te voorkomen dat uw hart en bloedvaten te sterk belast worden. Naarmate uw conditie verbetert, kunnen snelheid en weerstand geleidelijk worden verhoogd. De doelmatigheid van uw training kan worden gemeten door uw hartslag.

## Instructies

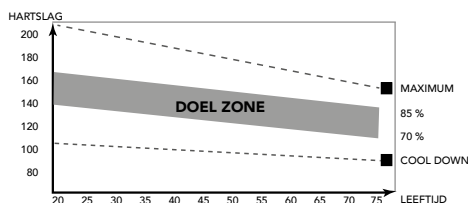
Het gebruik van dit fitness apparaat biedt meerdere voordelen: u verbetert uw fysieke conditie, u versterkt uw spieren en u valt in combinatie met een caloriearm dieet af.

### De warming-up

In deze fase wordt uw bloedsomloop gestimuleerd voor een juiste werking van de spieren. Tevens wordt het risico op kramp en spierletsel verminderd. Wij raden u aan enkele stretch oefeningen te doen, zoals hieronder beschreven. Houd elke stretch oefening ongeveer 30 seconden vol. Forceer uw spieren niet bij het stretchen. STOP als het pijn doet

### De training fase

Dit is de fase waarin u de meeste inspanning levert. Na regelmatig gebruik worden de spieren in uw benen flexibeler. Het is in deze fase zeer belangrijk dat u een gelijkmatig tempo aanhoudt. De snelheid moet voldoende zijn om uw hartslag te laten stijgen naar de doel zone die in de onderstaande grafiek te zien is.



Deze fase moet minimaal 12 minuten duren, maar de meeste mensen beginnen met ongeveer 15-20 minuten.

### De cooling down

In deze fase ontspant u uw cardiovasculaire systeem en spieren. Dit is een herhaling van de warming-up training. Verlaag dus uw tempo en ga ongeveer 5 minuten door. Herhaal nu de stretch-oefeningen. Forceer uw spieren niet tijdens het stretchen.

Naarmate u fitter wordt, moet u langer en harder trainen. Het is raadzaam minstens drie keer per week te trainen en zo nodig uw oefeningen gelijkmatig over de week te verspreiden.

### Spierversteviging

Als u uw spieren wilt verstevigen met behulp van dit fitnessapparaat, stelt u de weerstand in op hoog. Zo komt er meer spanning op uw beenspieren. Mogelijk kunt u niet zo lang trainen als u zou willen. Als u ook uw conditie wilt verbeteren, moet u het trainingsprogramma aanpassen. Tijdens de warming-up en cooling-down traint u zoals normaal, maar tegen het eind van de trainingsfase verhoogt u de weerstand zodat uw benen harder moeten werken. Verlaag hierbij de snelheid zodat uw hartslag in de doelzone blijft.

### Gewichtverlies

Hierbij is het van belang hoeveel inspanning u levert. Hoe harder en langer u werkt, hoe meer calorieën u verbrandt. In feite is dit hetzelfde als wanneer u zou trainen om uw conditie te verbeteren. Het doel is alleen anders.

## Gebruik

### Hoofdschakelaar (Fig. E-2A)

Het toestel is uitgerust met een hoofdschakelaar om het toestel volledig uit te schakelen.

### Starten van het toestel:

- Plaats de stekker in het toestel.
- Plaats de stekker in het stopcontact.
- Zet de hoofdschakelaar in de aan-stand (ON).

### Stoppen van het toestel:

- Zet de hoofdschakelaar in de uit-stand (OFF).
- Verwijder de stekker uit het stopcontact.
- Verwijder de stekker uit het toestel.

### Veiligheidsleutel (fig. F-4)

Het apparaat is uitgerust met een veiligheidssleutel die op de juiste wijze in de gleuf boven op de handgreep moet worden gestoken om het apparaat te starten. Als u de veiligheidssleutel uit het slot haalt, stopt de apparatuur onmiddellijk.

- Steek de veiligheidssleutel in de sleuf boven op de handgreep.
- Zorg ervoor dat de clip van de veiligheidssleutel juist aan uw kleding vastzit.
- Zorg ervoor dat de clip pas van uw kleding wordt gehaald wanneer de veiligheidssleutel van de handgreep is verwijderd.

### ⚠ LET OP

- Monitor laat code E7 zien als veiligheidssleutel niet, of niet juist is geplaatst.

### Circuitonderbreker (Fig. E-2B)

Het toestel is uitgerust met een circuitonderbreker die het circuit onderbreekt wanneer de elektrische belasting boven de maximale capaciteit komt. Wanneer dit gebeurt, moet de circuitonderbreker worden ingedrukt.

### ⚠ WAARSCHUWING

- Verwijder voor het indrukken van de circuitonderbreker de stekker uit het toestel.

Als het toestel uitschakelt, gaat u als volgt te werk om het toestel opnieuw op te starten:

- Verwijder de stekker uit het toestel.
- Druk de circuitonderbreker in om het toestel opnieuw op te starten.
- Plaats de stekker in het toestel.

### ⚠ LET OP

- Sommige stroomonderbrekers die binnenshuis worden gebruikt, zijn niet berekend op hoge inschakelstroomstoten die kunnen optreden wanneer de loopband voor de eerste keer wordt ingeschakeld of zelfs tijdens normaal gebruik. Als de loopband de stroomonderbreker activeert (zelfs al heeft deze het juiste stroombereik en is de loopband het enige aangesloten apparaat) maar de stroomonderbreker op de loopband zelf niet wordt geactiveerd, moet u de onderbreker vervangen met een type dat is berekend op hoge inschakelstroomstoten. Dit is geen defect dat onder de garantie valt. Dit is een omstandigheid waarop wij als fabrikant geen invloed hebben.

## In- en uitklappen van de apparatuur.

### ⚠ OPMERKING

- Voordat u het apparaat in- of uitklapt, moet u ervoor zorgen dat de afstandsbediening uit de houder wordt genomen om te voorkomen dat deze eruit valt.
- De beide klemhendels (#8) kunnen worden uitgetrokken en vrijelijk worden verplaatst zonder de bevestiging vast te draaien of los te maken. Maak de klemhendels los (#8) en draai om de bevestiging aan te passen.

## Uitklappen van de apparatuur (fig. F1)

### - In verticale opslagpositie

- Terwijl u het loopbandframe ondersteunt, maakt u de bevestigingsknop voor het stabiliseringsframe (#43) aan de rechterzijde (#42) los door deze tegen de klok in te draaien.
- Kantel het hoofdframe iets naar voren en vouw het stabiliseringsframe in.
- Terwijl u het loopbandframe ondersteunt, maakt u de bevestigingsknop voor het stabiliseringsframe (#43) aan de rechterzijde (#42) vast door deze met de klok mee te draaien.
- Laat de rechtopstaande loopband in horizontale positie zakken.

### - In horizontale opslagpositie

- Draai beide klemhendels (#8) tegen de klok in om de bevestiging van de handgreep los te maken.
- Kantel de handgreep in verticale positie (iets voorwaartse hoek).
- Draai beide klemhendels (#8) met de klok mee om de bevestiging vast te maken.
- De loopband is nu in gebruiksklare positie.

Zie de illustraties voor de juiste manier om de apparatuur uit te klappen.

## Inklappen van de apparatuur (fig. F2)

### - Wanneer het apparaat klaar is voor gebruik

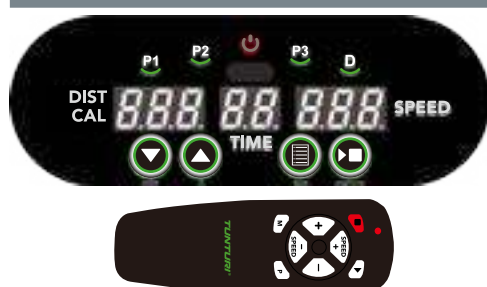
- Draai beide klemhendels (#8) tegen de klok in om de bevestiging los te maken.
- Breng de handgreep naar beneden in de horizontale stand.
- Draai beide klemhendels (#8) met de klok mee om de bevestiging van de handgreep vast te maken.
- De loopband is nu in horizontale opslagpositie.

### - In horizontale opslagpositie

- Kantel het loopbandframe in verticale positie door het op het hoofdframe te tillen (Til de loopband niet op door de handgreep vast te houden).
- Terwijl u het loopbandframe ondersteunt, maakt u de bevestigingsknop voor het stabiliseringsframe (#43) aan de rechterzijde (#42) los door deze tegen de klok in te draaien.
- Kantel het hoofdframe iets naar voren en klap het stabilisatorframe uit.
- Terwijl u het loopbandframe ondersteunt, maakt u de bevestigingsknop voor het stabiliseringsframe (#43) aan de rechterzijde (#42) vast door deze met de klok mee te draaien.
- De loopband is nu in verticale opslagpositie.

Zie de illustraties voor de juiste manier om de apparatuur in te klappen.

## Monitor (fig. E-1)



### ⚠ VOORZICHTIG

- Houd de console uit de buurt van direct zonlicht.
- Droog het oppervlak van de console wanneer het met zweetdruppels is bedekt.

- Leun niet op de console.
- Raak de display alleen met uw vingertop aan. Raak de display niet aan met uw nagels of een scherp voorwerp.

### ⚠ LET OP

- De console gaat naar standby wanneer het toestel gedurende 10 minuten niet wordt gebruikt.

## Display Knoppen

### Start / Stop

- Druk op de "Start/Stop"-knop om de geselecteerde workout te starten wanneer de loopband in de stopmodus staat. Na 3 seconden aftellen, begint de workout op 1,0 km/h.
- Druk op de "Start/Stop"-knop om de loopband geleidelijk te stoppen wanneer deze zich in de workoutmodus bevindt.

### Mode

- Wissel in de programmeermodus tussen de parameters van de doelinstelling. Kies tussen: doeltijd, doelfstand of doelcalorieën.

### Up

- Hiermee wordt de snelheid verhoogd (1,0 ~ 12,0 km/u).
- Door eenmaal op de knop te drukken wordt de snelheid met 0,1 km/u verhoogd.
- Als u de knop twee seconden ingedrukt houdt, wordt de snelheid sneller verhoogd.
- In de programmeringsmodus voor doelinstellingen kunt u de waarden wijzigen.

### Down

- Hiermee wordt de snelheid verlaagd (1,0 ~ 12,0 km/u).
- Door eenmaal op de knop te drukken wordt de snelheid met 0,1 km/u verlaagd.
- Als u de knop gedurende twee seconden ingedrukt houdt, wordt de snelheid sneller verlaagd.
- In de programmeringsmodus voor doelinstellingen kunt u de waarden wijzigen.

## Knoppen Afstandsbediening

### Stop

- Druk op de "Stop"-knop om de loopband geleidelijk te stoppen wanneer deze zich in de workoutmodus bevindt.

### Start

- Druk op de "Start"-knop om de geselecteerde workout te starten wanneer de loopband in de stopmodus staat. Na 3 seconden aftellen, begint de workout op 1,0 km/h.

### + (plus)

- In de programmeringsmodus voor doelinstellingen wordt hiermee de waarde verhoogd.

### - (min.)

- In de programmeringsmodus voor doelinstellingen wordt hiermee de waarde verlaagd.

### Speed +

- In de programmeringsmodus voor doelinstellingen wordt hiermee de waarde verhoogd.
- In de workoutmodus wordt hiermee de workoutsnelheid verhoogd.

### Speed -

- In de programmeringsmodus voor doelinstellingen wordt hiermee de waarde verlaagd.
- In de workoutmodus wordt hiermee de workoutsnelheid verlaagd.

**M (Mode)**

Druk op de M-knop in de programmeringsmodus:

- 1 keer: Opent de tijdsdoelstellingsmodus. (knippert 30 keer in het display)
- 2 keer: Opent de afstandsdoelstellingsmodus (D en 1.0 knipperen in het display)
- 3 keer: Opent de calorieëndoelstellingsmodus (knippert 50 keer in het display)

**P (Programmeren)**

Druk op de P-knop in de programmeringsmodus:

- 1 keer: Selecteer het programma P1 (P1 en 10 worden getoond in het display)
- 2 keer: Selecteer het programma P2 (P2 en 20 worden getoond in het display)
- 3 keer: Selecteer het programma P3 (P3 en 30 worden getoond in het display)

**⚠ OPMERKING**

- De afstandsbediening kan alleen goed functioneren als de ruimte tussen de zender en ontvanger van de afstandsbediening in het hoofddisplay van de afstandsbediening niet wordt geblokkeerd door voorwerpen.
- Om te functioneren moeten er 2 AAA-batterijen in de afstandsbediening geplaatst zijn.
- Vervang de batterijen wanneer uw afstandsbediening niet reageert.

**Uitleg van de items op het display (Fig. E-1)****Snelheid**

- Toont de actuele snelheid van de loopband in de workoutmodus.
- Weergavebereik: 1,0 ~ 12,0 ± 0,1 km/u

**Afstand**

- Toont de gelopen afstand in de workoutmodus.
- Instelbereik: 0,0 ~ 99,9 km.
- Weergavebereik: 0,0 ~ 99,9 km.

**Tijd**

- Toont de gelopen tijd in de workoutmodus.
- Instelbereik: 5 ~ 99 minuten
- Weergavebereik: 0 ~ 59 sec. / 1 ~ 99 minuten

**Calorieën**

- Toont de verbrande kilocalorieën in de workoutmodus.
- Instelbereik: 10 ~ 300 K.Cal.
- Weergavebereik: 0 ~ 999 K.Cal.

**P1, P2, P3, D, ⏻**

- P1, P2, P3 : Geeft het geselecteerde programma aan.
- D : Geeft aan dat de doelmodus voor afstand is geselecteerd. D wordt weergegeven wanneer de parameter afstand in de workoutmodus wordt getoond.
- ⏻ : Geeft aan dat de loopband in de stopmodus is.

**⚠ OPMERKING**

- Deze gegevens zijn een richtlijn voor de vergelijking van verschillende trainingssessies en kunnen niet tijdens medische behandelingen worden gebruikt.

**⚠ OPMERKING**

- Display voor Calorieën/ Afstand scant elke 5 seconden.

**Voorgeprogrammeerde programma's (P1~P3)**

Het apparaat bevat 3 voorgeprogrammeerde programma's met verschillende profielen.

(Tabel fig. G.)

- Druk op de P-knoppen om "P1~P3" te selecteren

**Programma P1**

Programma P1 is een vast snelheidsintervalprogramma met een vaste duur van 10 minuten.

**Programma P2**

Programma P2 is een vast snelheidsintervalprogramma met een vaste duur van 20 minuten.

**Programma P3**

Programma P3 is een vast snelheidsintervalprogramma met een vaste duur van 30 minuten.

**Garantie****Garantie voor eigenaars van Tunturi trainingsapparatuur****Garantievoorwaarden**

De consument ontleent wettelijke rechten aan de van toepassing zijnde nationale wetgeving aangaande de handel in consumentengoederen en de garantie zal deze rechten niet beperken.

De "Garantie voor de Eigenaar" geldt alleen dan wanneer het toestel wordt gebruikt in de door Tunturi New Fitness BV voor dat toestel toegestane gebruiksomgeving. Voor elk toestel wordt de toegestane gebruiksomgeving beschreven in de gebruiksaanwijzing van het toestel.

**Garantievoorwaarden**

De garantievoorwaarden gaan in vanaf de datum van aankoop. Deze kunnen per land verschillen. Vraag in de winkel bij u in de buurt naar de garantievoorwaarden.

**Garantiedekking**

In geen enkele omstandigheid zal Tunturi New Fitness BV of een wederverkoper van Tunturi aansprakelijk zijn voor eventuele indirecte schade geleden door de koper, zoals verlies van gebruiksnut of inkomstenderving of andere indirecte economische gevolgen.

**Garantiebeperkingen**

De garantie dekt defecten van het toestel die het gevolg zijn van materiaalfouten of onjuist uitgevoerd werk, mits het toestel zijn originele samenstelling heeft. De garantie betreft alleen defecten die blijken tijdens normaal gebruik overeenkomstig de meegeleverde gebruiksaanwijzing, mits de montage-, onderhouds- en gebruiksaanwijzingen van Tunturi zijn opgevolgd. Tunturi New Fitness BV en zijn wederverkopers zijn niet aansprakelijk voor defecten tengevolge van factoren waarop zij geen invloed kunnen uitoefenen. De garantie betreft alleen de eerste eigenaar van het toestel en is alleen geldig in landen waar een geautoriseerde importeur van Tunturi New Fitness BV is gevestigd. De garantie betreft geen trainingstoestellen of onderdelen die zijn gewijzigd zonder toestemming van Tunturi New Fitness BV. De garantie dekt geen defecten tengevolge van normale slijtage, onjuist gebruik, gebruik in omstandigheden waarvoor het toestel niet is bedoeld, corrosie of schade ontstaan tijdens laden of transport.

De garantie geldt niet voor geluiden die ontstaan door het gebruik, als ze het gebruik van het apparaat niet wezenlijk belemmeren en niet veroorzaakt zijn door een defect aan het apparaat.

De garantie omvat ook geen onderhoudsmaatregelen, zoals reiniging, smering of normale inspectie van onderdelen, noch dergelijke montagewerkzaamheden die de klant zelf kan uitvoeren en die geen speciale demontage en montage van het toestel vereisen. Dit soort maatregelen zijn bijv. vervanging van monitoren, pedalen of andere vergelijkbare eenvoudige onderdelen. Garantieherstel dat is uitgevoerd door een ander dan de geautoriseerde Tunturi-vertegenwoordiger wordt niet vergoed. De garantie geldt alleen voor normaal, voorgeschreven gebruik van het product zoals beschreven in de handleiding.

## Reiniging en onderhoud

### ⚠ WAARSCHUWING

- Verwijder voor reiniging of onderhoud de stekker uit het stopcontact.
- Gebruik geen oplosmiddelen om het toestel te reinigen.

- Blokkeer de ventilatieopeningen niet. Houd de ventilatieopeningen vrij van stof, vuil en andere belemmeringen.
- Reinig het toestel na elk gebruik met een zachte absorberende doek.
- Reinig de zichtbare onderdelen van het toestel met een stofzuiger met een kleine zuigmond.
- Controleer regelmatig of alle schroeven en moeren goed vast zitten.

### Band en loopvlak

De loopband maakt gebruik van een zeer efficiënt loopvlak met lage wrijving. De prestaties worden gemaximaliseerd wanneer het loopvlak zo schoon mogelijk wordt gehouden. Gebruik een zachte, vochtige doek of keukenpapier om de rand van de band te reinigen en het gedeelte tussen de bandrand en het frame. Probeer ook zo ver mogelijk onder de bandrand te reinigen. Dit moet u eenmaal per maand doen om de levensduur van de band en het loopvlak te verlengen. Gebruik alleen water, geen reinigingsmiddel of schurend middel. Gebruik een oplossing van milde zeep en water en een nylon borstel om de bovenkant van de band met structuur te reinigen. Laat de band drogen voordat u deze gebruikt.

### Smeren (fig. F-6)

De loopmat van de looptrainer moet regelmatig op smering worden gecontroleerd.

De loopmat van de loopband wordt - tijdens de productie van het toestel - gesmeerd voordat deze op de loopband wordt gemonteerd. Daarom is het niet nodig om de loopmat te smeren voordat het toestel in gebruik wordt genomen.

### ⚠ WAARSCHUWING

- Verwijder voor het smeren de stekker uit het stopcontact.

### ⚠ VOORZICHTIG

- We raden aan de smering van de loopmat minimaal één keer per maand te controleren, omdat meer factoren dan alleen de tijd van invloed kunnen zijn voor de smeringconditie van uw loopmat.
- Smeer de loopmat alleen indien nodig. Als u te veel smeervet aanbrengt, zal de loopmat door te weinig wrijving snel gaan slippen.

- Neem een stevige positie op de loopmat aan.
- Houd de voorhandgreep vast en duw de loopmat met uw voeten vooruit en achteruit. De loopmat moet soepel en gelijkmatig lopen zonder geluid te maken.

- Als de loopmat niet soepel en gelijkmatig loopt of als de loopmat helemaal niet beweegt, raak dan met uw vingertoppen de onderkant van de loopmat aan om de smering te controleren:
  - Als u smeermiddel voelt of als uw vingertoppen glimmen, dan bevindt zich nog voldoende smering op de loopmat.
  - Als u geen smeervet voelt of als uw vingertoppen stoffig of ruw aanvoelen, breng dan smeermiddel (15-20 ml) aan in het midden van de loopmat onder de band zelf en laat het toestel minstens 5 minuten bij 5 km/h lopen.
  - Klap het toestel na smering niet in voordat het minstens 20 minuten gebruikt is voor een training met een snelheid van minstens 5 km/h. Het smeermiddel wordt gelijkmatig over de loopmat verdeeld.

### Stof op band

Dit treedt op tijdens normaal eerst gebruik of totdat de band is gestabiliseerd. Verwijder het stof met een vochtige doek om ophoping van stof te minimaliseren.

### Algemene reiniging

Vuil, stof en dierenharen kunnen luchtinlaten blokkeren en zich op de band ophopen. U moet maandelijks onder de loopband stofzuigen om ophoping te voorkomen. U moet tweemaal per jaar de zwarte motorkap verwijderen en eventueel opgehoopt vuil met de stofzuiger verwijderen.

HAAL EERST DE STEKKER UIT HET STOPCONTACT VOORDAT U DIT DOET.

### Bandafstellingen

U moet afstellingen doorvoeren bij de achterste roller. De afstelbouten bevinden zich aan het einde van de staprails in de eindkapjes,

- Draai de achterste rollerbouten net genoeg aan (rechtsom) om verschuiving bij de voorste roller te voorkomen. Draai beide afstelbouten voor de bandspanning aan in stappen van 1/4 slag en controleer op juiste spanning door op de band te lopen met lage snelheid. Zorg dat de band niet verschuift. Blijf de bouten aandraaien totdat de band niet meer verschuift.
- Als u van mening bent dat de bandspanning goed is maar de band nog steeds verschuift, wordt het probleem mogelijk veroorzaakt door een losse motoraandrijfriem onder de voorkap.
- Niet te strak aandraaien Als u de bouten te strak aandraait, raakt de band beschadigt en zullen de lagers vroegtijdig slijten.

### Bandloop afstellen:

De prestaties van het apparaat zijn afhankelijk van het feit of het frame op een redelijk vlak oppervlak staat. Als het frame niet waterpas staat, kunnen de voor- en achterrollers niet parallel draaien, waardoor de band constant opnieuw moet worden afgesteld.

Het apparaat is zo ontworpen dat de band tijdens gebruik zoveel mogelijk in het midden blijft. Het is bij sommige banden normaal dat deze naar de zijkant bewegen terwijl de band loopt zonder dat er iemand op staat. Na enkele minuten van gebruik zal de band de neiging hebben zich te centreren. Als tijdens gebruik de band nog steeds naar de zijkant beweegt, is afstelling noodzakelijk.

### UITZONDERING:

tijdens revalidatie, waarbij het ene been van de gebruiker sterker is dan het andere, kan het voorkomen dat de band naar de zijkant beweegt. In dat geval moet u de bandloop niet opnieuw afstellen, tenzij de band zich bij normaal gebruik niet centreert.

### Bandloop instellen (fig. F-5)

Het apparaat wordt geleverd met een 6 mm inbussleutel om de achterste roller af te stellen. Voer afstellingen uitsluitend aan vanaf de linkerkant. Stel de bandsnelheid in op circa 3 tot 5 km/u.



Houd er rekening mee dat een kleine verandering een groot verschil kan maken!

Draai de bout aan de linker zijde rechtsom (met de richting van de klok mee) om de band naar rechts te verplaatsen; draai deze bout linksom (tegen richting van de klok in) om de band naar links te verplaatsen. Draai de bout slechts 1/4 slag en wacht enkele minuten terwijl de band zichzelf afstelt. Blijft de bout draaien in stappen van 1/4 slag totdat de band zich stabiliseert in het midden van het loopvlak.

De bandloop moet mogelijk periodiek opnieuw worden afgesteld, afhankelijk van gebruik en loop-/renkarakteristieken. Sommige gebruikers zullen een ander effect hebben op de bandloop. Ga ervan uit dat u afstellingen zult moeten doorvoeren om de band te centreren. Afstellingen zullen steeds minder een onderhoudsprobleem worden naarmate de band meer wordt gebruikt. Juiste bandloop is de verantwoordelijkheid van de eigenaar en is van toepassing op alle loopbanden.

### LET OP

- Schade aan de band als gevolg van onjuiste afstelling van bandloop/bandspanning valt niet onder de garantie.

## Gebruiksstorings

Ondanks voortdurende kwaliteitscontroles, kunnen er defecten of storings optreden die het gevolg zijn van het niet goed functioneren van onderdelen die in de looptrainer zijn gebruikt. In de meeste gevallen is het onnodig om het gehele apparaat ter reparatie aan te bieden, aangezien de storing meestal kan worden opgelost door het vervangen van het defecte onderdeel.

Mochten er storings optreden bij het gebruik van de trainer, neem dan onmiddellijk contact op met uw Tunturi dealer. Vermeldt daarbij altijd het model en het serienummer van uw Tunturi trainer, de eventuele storingscode en door wie de trainer is geïnstalleerd.

Vermeldt bij het bestellen van onderdelen het model, het serienummer van het apparaat en het nummer van het onderdeel. Op de laatste pagina's van deze gids vindt u de onderdelenlijst.

## Transport en opslag

### WAARSCHUWING

- Verwijder voor reiniging of onderhoud de stekker uit het stopcontact.
  - Draag en verplaats het toestel met minstens twee personen.
  - Zorg ervoor dat zich geen andere personen of voorwerpen onder het toestel bevinden.
- Verplaats het toestel zoals afgebeeld (fig. F3). Verplaats het toestel en zet het voorzichtig neer. Zorg voor een beschermende laag onder het toestel om schade aan het vloeroppervlak te voorkomen. Verplaats het toestel voorzichtig over een ongelijke ondergrond. Breng het toestel niet met behulp van de wielen naar boven, maar draag het toestel bij de handgrepen.
- Berg het toestel in staande positie op (fig. F1). Berg het toestel op een droge plaats op met zo weinig mogelijk temperatuurwisselingen.

### Opslag in verticale positie.

#### LET OP

- Hou er rekening mee dat wanneer de loopband in verticale positie opgeslagen wordt het alleen stabiel genoeg is om zijn eigen gewicht te dragen.

Wij raden u aan de loopband alleen in horizontale positie op te slaan op een plaats waar nauwelijks menselijk verkeer of beweging is. De beste locatie is naast een muur of kast.

## Aanvullende informatie

### Afvoeren van verpakkingsmateriaal

Overheids-richtlijnen geven aan dat we de hoeveelheid afvalmateriaal afgevoerd naar stortplaatsen moeten verminderen. Daarom vragen we u al het afvalmateriaal op verantwoordelijke wijze af te voeren naar openbare recycling-centra.

### Verwijdering aan het eind van de levensduur.

We hopen dat u jarenlang plezier hebt van uw fitnessapparaat. Er komt echter een moment waarop het fitnessapparaat het eind van de bruikbare levensduur heeft bereikt. Onder de Europese AEEA-wetgeving bent u verantwoordelijk voor het op de juiste wijze afvoeren van uw fitnessapparaat naar een erkend openbaar inzamelpunt.

## Technische gegevens

Parameter	Meet- eenheid	Waarde
Netspanning	VAC	210 ~ 240
Spanning frequentie	HZ	50 ~ 60
Snelheid	Km/H	1.0 ~ 12.0
Helling-graad	Stap	<input checked="" type="checkbox"/>
Lengte (ingeklapt)	Cm	148.0 ( 155.0)
Breedte	Cm	73.0
Hoogte (ingeklapt)	Cm	121.0 (16.0)
Gewicht	Kg	36.0
Telemetrische hartslag-ontvanger	handgreep contact 5.3~ 5.4 Khz. Bluetooth (BLE) ANT+	<input checked="" type="checkbox"/> <input checked="" type="checkbox"/> <input checked="" type="checkbox"/> <input checked="" type="checkbox"/>

## Verklaring van de fabrikant

Tunturi New Fitness BV verklaart dat het product voldoet aan de volgende normen en richtlijnen: EN 957 (HC), 2014/30/EU. Het product is derhalve voorzien van het CE-label.

04-2020

Tunturi New Fitness BV  
Purmerweg 1  
1311 XE Almere  
The Netherlands

## Disclaimer

---

© 2020 Tunturi New Fitness BV  
Alle rechten voorbehouden.

- Het product en de handleiding zijn aan veranderingen onderhevig.
- Specificaties kunnen zonder verdere kennisgeving worden veranderd.
- Raadpleeg onze website voor de meest recente versie van de gebruikershandleiding.

## Italiano

Questo manuale in lingua italiana è una traduzione dalla versione originale del manuale in lingua inglese.

Non si possono trarre diritti di traduzione dalla presente traduzione.

## Indice

<b>Benvenuti .....</b>	<b>43</b>
<b>Precauzioni di sicurezza.....</b>	<b>43</b>
Sicurezza elettrica.....	43
<b>Istruzioni di montaggio.....</b>	<b>44</b>
Illustrazione di descrizione A.....	44
Illustrazione di descrizione B.....	44
Illustrazione di descrizione C.....	44
Montaggio (fig. D).....	44
<b>Allenamenti.....</b>	<b>44</b>
Istruzioni per l'esercizio.....	44
<b>Utilizzo.....</b>	<b>45</b>
Chiudere e aprire l'apparecchiatura.....	45
<b>Console (fig. E-1) .....</b>	<b>46</b>
Tasti Display .....	46
Tasti Telecomando .....	46
Spiegazione degli elementi visualizzati (Fig. E-1).....	47
Programmi preimpostati (P1~P3).....	47
Garanzia .....	47
<b>Pulizia e manutenzione .....</b>	<b>48</b>
Lubrificazione (fig. F-6).....	48
<b>Disturbi durante l'uso .....</b>	<b>49</b>
<b>Trasporto e stoccaggio .....</b>	<b>49</b>
Informazioni aggiuntive.....	49
<b>Dati tecnici.....</b>	<b>49</b>
<b>Dichiarazione del fabbricante.....</b>	<b>49</b>
<b>Clausola di esonero della responsabilità.....</b>	<b>49</b>

## Benvenuti

Benvenuti nel mondo di Tunturi Fitness!

Grazie per aver acquistato questo apparecchio Tunturi. Tunturi offre un'ampia gamma di apparecchi per fitness professionale, fra cui crosstrainer, tapis roulant, cyclette, vogatori, panche di forza e multi stazioni. Questo apparecchio Tunturi è adatto per tutta la famiglia, a prescindere dal livello di forma fisica. Per ulteriori informazioni, visitare il sito Web [www.tunturi.com](http://www.tunturi.com)

### Importanti istruzioni di sicurezza

Questo libretto di istruzioni è una parte essenziale della tua attrezzatura da ginnastica. Leggi con attenzione quanto scritto in questa guida, prima del montaggio dei pezzi e prima di fare uso dell'attrezzo o di effettuarne qualunque manutenzione. Ti raccomandiamo pure di conservare la presente guida in un luogo sicuro e a portata di mano; essa ti fornirà, adesso e nel futuro, tutte le istruzioni necessarie all'uso e alla manutenzione della tua attrezzatura da ginnastica. Tali istruzioni devi seguirle sempre con molta attenzione!

## Precauzioni di sicurezza

### ⚠ ATTENZIONE

- Leggere le precauzioni di sicurezza e le istruzioni. La mancata osservanza delle precauzioni di sicurezza e delle istruzioni può causare lesioni personali o danni all'apparecchio. Conservare gli avvisi di sicurezza e le istruzioni per future consultazioni.

### ⚠ ATTENZIONE

- Il sistema di monitoraggio della frequenza cardiaca può essere impreciso. L'eccessivo esercizio può causare serie lesioni o perfino il decesso. Se si avverte spossatezza, interrompere immediatamente l'allenamento.

- L'apparecchio è adatto esclusivamente per un uso domestico, non professionale. L'apparecchio non è idoneo per scopi commerciali.
- L'utilizzo massimo è limitato fino a 2 ore al giorno
- L'uso di questo apparecchio da parte di bambini o persone con handicap fisici, sensoriali, mentali o motori o privi di esperienza e di competenze può causare pericoli. Le persone responsabili per la loro sicurezza devono fornire esplicite istruzioni o supervisionare l'uso dell'apparecchio.
- Prima di iniziare l'allenamento, consultare un medico per verificare il proprio stato di salute.
- Se si avvertono nausea, vertigini o altri sintomi anomali, interrompere immediatamente l'allenamento e consultare un medico.
- Per evitare dolori muscolari e sforzi, iniziare ogni allenamento con una fase di riscaldamento e terminare ogni allenamento con una fase di defaticamento. Ricordarsi di eseguire lo stretching al termine dell'allenamento.
- L'apparecchio è adatto esclusivamente per un uso in interni. L'apparecchio non è idoneo per un uso all'aperto.
- Utilizzare l'apparecchio in un ambiente con ventilazione adeguata. Non utilizzare in ambienti esposti alle correnti d'aria per non prendere un raffreddore.
- Utilizzare l'apparecchio esclusivamente in ambienti con temperature comprese fra 10 °C e 35 °C. Conservare l'apparecchio esclusivamente in ambienti con temperature comprese fra 5 °C e 45 °C.
- Non utilizzare o riporre l'apparecchio in ambienti umidi. L'umidità dell'aria non deve mai superare l'80%.
- Utilizzare l'apparecchio solo per lo scopo previsto. Non utilizzare l'apparecchio per scopi diversi da quelli descritti nel manuale.
- Non usare l'apparecchio se presenta parti danneggiate o difettose. In caso di parti danneggiate o difettose contattare il rivenditore.
- Mantenere mani, piedi e le altre parti del corpo lontani dalle parti in movimento.
- Tenere i capelli lontani dalle parti in movimento.
- Indossare indumenti e scarpe adatti.
- Mantenere abiti, gioielli e altri oggetti lontani dalle parti in movimento.
- Controllare che l'apparecchio venga utilizzato da una sola persona alla volta. L'apparecchio non deve essere utilizzato da persone di peso superiore a 100 kg (220 lbs).
- Non smontare l'apparecchio senza aver consultato il rivenditore..

### Sicurezza elettrica

(valido solo per apparecchi elettrici)

- Prima dell'uso, verificare sempre che la tensione della rete elettrica corrisponda alla tensione riportata sulla targhetta nominale dell'apparecchio.
- Non utilizzare cavi di prolunga.

- Tenere il cavo di alimentazione lontano da fonti di calore, olio e bordi affilati.
- Non alterare o modificare il cavo o la spina di alimentazione.
- Non utilizzare l'apparecchio se il cavo o la spina di alimentazione sono danneggiati o difettosi. Se il cavo o la spina di alimentazione risultano danneggiati o difettosi, contattare il rivenditore.
- Svolgere sempre completamente il cavo di alimentazione
- Non far passare il cavo di alimentazione sotto l'apparecchio. Non far passare il cavo di alimentazione sotto un tappeto. Non collocare alcun oggetto sul cavo di alimentazione.
- Verificare che il cavo di alimentazione non sporga sul bordo di un tavolo. Verificare che il cavo di alimentazione non possa rimanere accidentalmente impigliato o causare inciampanti.
- Non lasciare l'apparecchio incustodito quando la spina di alimentazione è collegata alla presa a muro.
- Non tirare il cavo di alimentazione per rimuovere la spina dalla presa a muro.
- Scollegare la spina di alimentazione dalla presa a muro quando l'apparecchio non è in uso, prima di assemblare o di smontare l'apparecchio o di qualsiasi intervento di pulizia o manutenzione.

#### ⚠ ATTENZIONE

- Se il voltaggio varia del dieci per cento (10%) o più, le prestazioni del vostro tapis roulant potrebbero essere influenzate. Tali condizioni non sono coperte dalla vostra garanzia. Se sospettate che il voltaggio sia basso, contattate la vostra azienda elettrica locale o un elettricista qualificato per fare dei test appropriati.

#### ⚠ ATTENZIONE

- Non far passare il cavo di alimentazioni vicino a parti in movimento del tapis roulant, incluso il meccanismo di sollevamento e le ruote di trasporto.

#### Istruzioni per la messa a terra

Questo prodotto va messo a terra. Se il sistema elettrico del tapis roulant non funziona bene o rompersi, la messa a terra fornisce un percorso di resistenza inferiore per la corrente elettrica, riducendo il rischio di scossa elettrica. Questo prodotto è dotato di un cavo che una spina di messa a terra. La spina deve essere inserita in una presa idonea che sia stata installata correttamente e che sia messa a terra secondo le procedure e le ordinanze locali.

#### ⚠ AVVERTIMENTO

- Un collegamento scorretto del conduttore di messa a terra dell'apparecchio può comportare un rischio di scossa elettrica. In caso di dubbi sulla corretta messa a terra di questo prodotto, consultare un elettricista o addetto all'assistenza qualificato. Non modificare la spina fornita con il prodotto se non dovesse entrare nella presa di corrente; farsi installare una presa di corrente idonea da un elettricista qualificato.

## Istruzioni di montaggio

### Illustrazione di descrizione A

L'illustrazione mostra l'aspetto del trainer una volta completato l'assemblaggio.

È possibile utilizzarla come riferimento durante l'assemblaggio, ma è importante seguire sempre i passaggi di assemblaggio nella sequenza corretta come illustrato.

### Illustrazione di descrizione B

L'illustrazione mostra quali componenti e parti sono presenti al momento del disimballaggio del prodotto.

#### 📌 NOTA

- Le parti di piccole dimensioni potrebbero trovarsi nascoste o infilate in spazi ristretti nella protezione del prodotto in Styrofoam
- Se una parte manca, contattare il rivenditore.

### Illustrazione di descrizione C

L'illustrazione mostra il kit di attrezzatura fornito con il prodotto.

### Montaggio (fig. D)

Il prodotto viene consegnato interamente montato nella scatola. Il prodotto viene consegnato nella scatola piegato.

#### 📌 NOTA

- Per aprire il tapis roulant vedere la sezione "Chiedere e aprire l'apparecchiatura" in questo manuale.

#### ⚠ ATTENZIONE

- Per trasportare e spostare l'apparecchio sono necessarie almeno due persone.

#### ⚠ AVVISO

- Collocare l'apparecchio su una superficie stabile e in piano.
- Collocare l'apparecchio su una base protettiva per evitare danni alla superficie del pavimento.
- Mantenere uno spazio libero di almeno 1 m intorno all'apparecchio.

## Allenamenti

L'allenamento deve essere adeguatamente leggero ma di lunga durata. L'esercizio aerobico si basa sul miglioramento del consumo massimo di ossigeno del corpo che a sua volta migliora resistenza e forma fisica. Durante l'allenamento è necessario sudare ma non arrivare all'affanno. Per raggiungere e mantenere una forma fisica di base, allenarsi almeno tre volte alla settimana, per 30 minuti alla volta. Aumentare il numero di sessioni di esercizio per migliorare il livello di forma fisica. È importante combinare l'esercizio regolare con una dieta salutare. Una persona impegnata a seguire una dieta dovrà allenarsi quotidianamente, iniziando con 30 minuti o meno e aumentando gradualmente l'allenamento giornaliero fino ad un'ora. Iniziare l'allenamento a bassa velocità e con scarsa resistenza per evitare di sottoporre a uno stress eccessivo il sistema cardiovascolare. Man mano che il livello di forma fisica aumenta, è possibile aumentare gradualmente anche velocità e resistenza. L'efficienza dell'allenamento può essere misurata monitorando la frequenza cardiaca e le pulsazioni.

### Istruzioni per l'esercizio

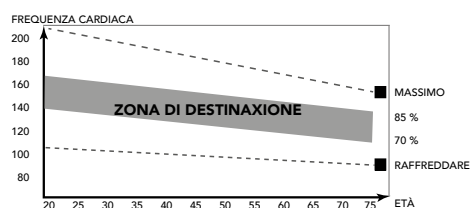
L'utilizzo del vostro fitness trainer vi darà diversi benefici, migliorerà la vostra forma fisica, tono muscolare e, insieme a una dieta con le calorie sotto controllo, vi aiuterà a perdere peso.

#### La fase di riscaldamento

Questa fase aiuta a far scorrere il sangue nel corpo e a far funzionare correttamente i muscoli. Ridurrà anche il rischio di crampi e di lesioni muscolari. Si consiglia di fare qualche esercizio di stretching come mostrato qui di seguito. Ogni esercizio di stretching andrebbe mantenuto per circa 30 secondi, non forzare o strappare i muscoli durante l'esercizio, se si sente un dolore FERMARSI SUBITO

## La fase dell'esercizio

Questa è la fase dove fate il vostro sforzo. Dopo un uso regolare, i muscoli delle vostre gambe diventeranno più flessibili. Lavorare nell'ottica del vostro obiettivo è molto importante per mantenere un ritmo costante durante l'esercizio. La velocità del vostro lavoro dovrebbe essere sufficiente per aumentare il vostro battito cardiaco nella zona target mostrata sul grafico qui sotto.



Questa fase dovrebbe durare almeno 12 minuti anche se la maggior parte delle persone inizia a circa 15-20 minuti

## La fase di defaticamento

Questa fase consente al vostro sistema cardiovascolare e ai vostri muscoli di rilassarsi. Questa è una ripetizione dell'esercizio di riscaldamento, cioè riduce il vostro ritmo, e continua per circa 5 minuti. Gli esercizi di stretching adesso andrebbero ripetuti, ricordandosi sempre di non forzare o strappare i vostri muscoli nello stretching.

A mano a mano che sarete più in forma, potrete aver bisogno di allenarvi di più e più a lungo. Si consiglia di allenarsi almeno tre volte alla settimana, e se possibile, spalmare gli esercizi in

## Tono muscolare

Per tonificare i muscoli mentre siete sul vostro fitness trainer dovrete impostare la resistenza abbastanza alta. Questo sforzerà di più i muscoli delle vostre gambe e potrebbe voler dire che non potrete allenarvi per il tempo che avreste desiderato. Se anche voi state cercando di migliorare la vostra forma dovrete modificare il vostro programma di allenamento. Dovreste allenarvi normalmente durante le fasi di riscaldamento e di defaticamento, ma verso la fine della fase dell'esercizio dovrete aumentare la resistenza, per fare lavorare di più le vostre gambe. Dovrete ridurre la vostra velocità per mantenere la vostra frequenza cardiaca nella zona target.

## Perdere peso

Qui il fattore importante è la quantità di sforzo che mettete. Più forte e a lungo lavorate e più calorie brucerete. In effetti è uguale a come se stesse allenandovi per migliorare la vostra forma, la differenza è l'obiettivo.

## Utilizzo

### Interruttore di alimentazione principale (fig. E-2A)

L'apparecchio è dotato di un interruttore di alimentazione principale per spegnere completamente l'apparecchio.

#### Per avviare l'apparecchio:

- Inserire la spina elettrica nell'apparecchio.
- Inserire la spina elettrica nella presa di corrente.
- Mettere l'interruttore principale in posizione on.

#### Per spegnere l'apparecchio:

- Mettere l'interruttore di alimentazione su off.
- Togliere la spina elettrica dalla presa elettrica.
- Togliere la spina elettrica dall'apparecchio.

## Chiave di sicurezza (Fig F-4)

L'apparecchiatura è dotata di una chiave di sicurezza che deve essere inserita correttamente nella fessura sulla parte superiore dell'impugnatura per avviare l'apparecchiatura. Se si toglie la chiave di sicurezza dalla fessura, l'apparecchiatura si fermerà immediatamente.

- Inserire la chiave di sicurezza nella fessura sulla parte superiore dell'impugnatura.
- Accertarsi che la clip della chiave di sicurezza sia attaccata correttamente al vostro indumento.
- Accertarsi che la clip non venga rimossa dal vostro indumento prima che la chiave di sicurezza venga rimossa dalla console.

### NOTA

- La console mostrerà E7 quando la chiave di sicurezza non è in posizione durante l'avvio.

## Interruttore automatico (Fig. E-2B)

L'apparecchio è dotato di un interruttore automatico che interrompe il circuito quando il carico di elettricità supera la capacità massima. Se ciò si verifica, si deve premere l'interruttore automatico.

### AVVERTIMENTO

- Prima di premere l'interruttore automatico, togliere la spina elettrica dall'apparecchio.

Se l'apparecchio si spegne, procedere nel seguente modo per riavviare l'apparecchio:

- Togliere la spina elettrica dall'apparecchio.
- Premere l'interruttore automatico per avviare l'apparecchio.
- Inserire la spina elettrica nell'apparecchio.

### NOTA

- Alcuni interruttori automatici usati nelle case non sono idonei per i picchi di corrente che si possono verificare quando un tapis roulant viene acceso o anche durante l'uso normale. Se il vostro tapis roulant fa scattare l'interruttore automatico (anche se ha l'amperaggio corretto e il tapis roulant è il solo apparecchio sul circuito) ma l'interruttore sul tapis roulant stesso non scatta, dovrete sostituire l'interruttore con un tipo adatto alle correnti di picco più elevate. Questo non è un difetto coperto dalla garanzia. Si tratta di una condizione che noi, in quanto produttori, non siamo in grado di controllare.

## Chiudere e aprire l'apparecchiatura.

### NOTA

- Prima di chiudere o aprire l'apparecchiatura, accertarsi di aver tolto il telecomando dal supporto per evitare che possa cadere.
- Entrambe le leve di bloccaggio (#8) possono essere tirate fuori e riposizionate liberamente senza serrare o allentare il fissaggio. Rilasciare le leve di bloccaggio (#8) e ruotare per regolare il fissaggio.

## Aprire l'apparecchiatura (fig. F1)

### - Quando si trova in posizione di chiusura verticale

- Sostenendo la struttura del tapis roulant, allentare la manopola di fissaggio della struttura dello stabilizzatore (#43) sul lato RH della struttura dello stabilizzatore (#42) ruotandola in senso antiorario.
- Inclinare la struttura principale leggermente in avanti e chiudere la struttura dello stabilizzatore.
- Sostenendo la struttura del tapis roulant, stringere la manopola di fissaggio della struttura dello stabilizzatore (#43) sul lato RH della struttura dello stabilizzatore (#42) ruotandola in senso orario.
- Abbassare il tapis roulant posizionato nella posizione superiore in posizione orizzontale.

**- Quando si trova in posizione di stoccaggio orizzontale.**

- Girare entrambe le leve di fissaggio (#8) in senso antiorario per allentare il fissaggio dell'impugnatura.
- Inclinare l'impugnatura in posizione verticale (angolazione leggermente in avanti)
- Girare entrambe le leve di fissaggio (#8) in senso orario per allentare il fissaggio dell'impugnatura.
- Adesso la macchina è in posizione pronta all'uso.

Per il modo corretto di aprire l'apparecchiatura fare riferimento alle illustrazioni.

**Chiudere l'apparecchiatura (fig. F2)**

**- Quando si trova in posizione pronta all'uso**

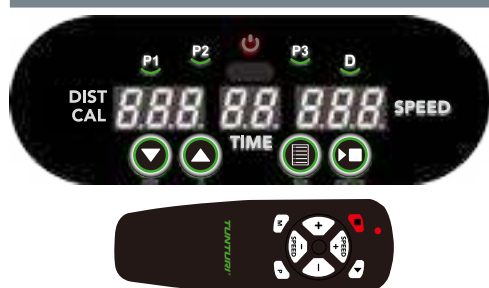
- Girare entrambe le leve di fissaggio (#8) in senso antiorario per allentare il fissaggio.
- Guidare l'impugnatura in posizione orizzontale verso il basso.
- Girare entrambe le leve di fissaggio (#8) in senso orario per fissare il fissaggio dell'impugnatura.
- Adesso la macchina è in posizione di stoccaggio.

**- Quando si trova in posizione di stoccaggio orizzontale.**

- Inclinare la struttura del tapis roulant nella posizione verticale sollevandola per la struttura principale (non sollevare il tapis roulant)
- Sostenendo la struttura del tapis roulant, allentare la manopola di fissaggio della struttura dello stabilizzatore (#43) sul lato RH della struttura dello stabilizzatore (#42) ruotandola in senso antiorario.
- Inclinare la struttura principale leggermente in avanti e aprire la struttura dello stabilizzatore.
- Sostenendo la struttura del tapis roulant, stringere la manopola di fissaggio della struttura dello stabilizzatore (#43) sul lato RH della struttura dello stabilizzatore (#42) ruotandola in senso orario.
- Adesso il tapis roulant è in posizione di stoccaggio verticale.

Per il modo corretto di chiudere l'apparecchiatura fare riferimento alle illustrazioni.

**Console (fig. E-1)**



**⚠ AVVISO**

- Non esporre la console alla luce solare diretta.
- Asciugare la superficie della console se è coperta da gocce di sudore.
- Non appoggiarsi sulla console.
- Toccare il display solo con la punta delle dita. Non toccare il display con le unghie o con oggetti appuntiti.

**🔊 NOTA**

- La console passa in modalità standby quando l'apparecchio non viene utilizzato per 10 minuti.

**Tasti Display**

**Start/Stop**

- Premere il tasto "Start/Stop" per iniziare l'allenamento selezionato quando il tapis roulant si trova in modalità di arresto. Dopo 3 secondi di conto alla rovescia l'allenamento inizierà a 1,0 km/h.
- Premere il tasto "Start/Stop" per arrestare gradualmente il tapis roulant quando si trova in modalità di allenamento.

**Modalità**

- Scorrere fra i parametri di impostazione target nella modalità di programmazione. Selezionare fra: tempo target, distanza target o calorie target.

**Su**

- Aumenta la velocità (1,0 ~ 12,0 km/h).
- Premendo una sola volta si aumenta la velocità di 0,1 km/h.
- Tenendo premuto per due secondi si aumenta la velocità più rapidamente.
- Cambiare i valori nella modalità di programmazione target.

**Giù**

- Diminuisce la velocità (1,0 ~ 12,0 km/h).
- Premendo una sola volta si diminuisce la velocità di 0,1 km/h.
- Tenendo premuto per due secondi si diminuisce la velocità più rapidamente.
- Cambiare i valori nella modalità di programmazione target.

**Tasti Telecomando**

**Stop**

- Premere il tasto "Stop" per arrestare gradualmente il tapis roulant quando si trova in modalità di allenamento.

**Start**

- Premere il tasto "Start" per iniziare l'allenamento selezionato quando il tapis roulant si trova in modalità di arresto. Dopo 3 secondi di conto alla rovescia l'allenamento inizierà a 1,0 km/h.

**+ (plus)**

- Aumenta il valore nella modalità di programmazione target.

**- (min.)**

- Diminuisce il valore nella modalità di programmazione target.

**Velocità +**

- Aumenta il valore nella modalità di programmazione target.
- Aumenta la velocità di allenamento quando si trova in modalità di allenamento.

**Velocità -**

- Diminuisce il valore nella modalità di programmazione target.
- Diminuisce la velocità di allenamento quando si trova in modalità di allenamento.

**M (Modalità)**

Premere il tasto M in modalità di programmazione:

- 1 volta : Apre modalità target tempo. ( 30 lampeggi sul display )
- 2 volte : Apre modalità target distanza ( D & 1.0 lampeggi sul display )
- 3 volte : Apre modalità target calorie ( 50 lampeggi sul display )

**P (Programma)**

Premere il tasto P in modalità di programmazione:

- 1 volta : Selezionare il programma P1 ( P1 & 10 mostrato sul display )
- 2 volte : Selezionare il Programma P2 ( P2 & 20 mostrato sul display )
- 3 volte : Selezionare il programma P3 ( P3 & 30 mostrato sul display )

**NOTA**

- Il telecomando può funzionare correttamente solo se lo spazio fra l'emettitore e il ricevitore del telecomando nel display della struttura principale non è bloccato da nessun oggetto.
- Il telecomando deve essere dotato di 2 batterie di tipo AAA per funzionare.
- Sostituire le batterie quando il telecomando non risponde più.

**Spiegazione degli elementi visualizzati (Fig. E-1)****Velocità**

- Mostra la velocità effettiva del tapis roulant in modalità allenamento.
- Intervallo di visualizzazione : 1.0 ~ 12.0 ± 0.1 km/h

**Distanza**

- Mostra la modalità di allenamento distanza percorsa.
- Intervallo di impostazione : 0.0 ~ 99.9 km.
- Intervallo di visualizzazione : 0.0 ~ 99.9 km.

**Tempo**

- Mostra il tempo corso in modalità allenamento.
- Intervallo di impostazione : 5 ~ 99 minuti
- Intervallo di visualizzazione : 0 ~ 59 sec. / 1 ~ 99 minuti

**Calorie**

- Mostra le calorie K consumate in modalità allenamento.
- Intervallo di impostazione : 10 ~ 300 K.Cal.
- Intervallo di visualizzazione : 0 ~ 999 K.Cal.

**P1, P2, P3, D, ⏸**

- P1, P2, P3 : Indica il programma selezionato.
- D : Indica la modalità Target selezionata per Distanza. D viene mostrato quando il parametro Distanza è mostrato in modalità allenamento.
- ⏸ : Indica che il tapis roulant è in modalità di Arresto.

**NOTA**

- Questi dati sono una guida approssimativa per il confronto di diverse sessioni di allenamento e non possono essere usati nelle cure mediche.

**NOTA**

- Visualizza la scansione di Valorie / Distanza ogni 5 secondi.

**Programmi preimpostati (P1~P3)**

L'apparecchio dispone di 3 programmi preimpostati con profili diversi.

(Tabella fig. G.)

- Premere i tasti "P" per selezionare "P1~P3"

**Programma P1.**

Il Programma P1 è un programma di profilo intervallo velocità fissa con una durata fissa di 10 minuti.

**Programma P2.**

Il Programma P2 è un programma di profilo intervallo velocità fissa con una durata fissa di 20 minuti.

**Programma P3.**

Il Programma P3 è un programma di profilo intervallo velocità fissa con una durata fissa di 30 minuti.

**Garanzia****Condizioni di garanzia**

Il consumatore è tutelato da tutti i diritti previsti dalla legislazione nazionale e riguardanti l'acquisto di beni di consumo. Questi diritti fondamentali non sono limitati dalle condizioni di garanzia. La garanzia entra in vigore solo se l'attrezzo in questione prodotto dall'azienda Tunturi Ltd. viene utilizzato in linea con le condizioni ambientali d'uso specificate dal fabbricante. Le condizioni ambientali d'uso degli attrezzi son

**Condizioni per la garanzia**

La garanzia entra in vigore dalla data dell'acquisto dell'attrezzo. Le condizioni per la garanzia possono variare in funzione del paese. Rivolgersi al rivenditore di zona per maggiori informazioni sulle condizioni per la garanzia.

**Copertura della garanzia**

L'azienda Tunturi Ltd ed i suoi rappresentanti non rispondono per nessun motivo dei danni indiretti causati all'acquirente dall'attrezzo. Per danni indiretti s'intendono quelli relativi al mancato sfruttamento dell'attrezzo, mancato guadagno o altri danni di natura economica.

**Limiti di garanzia**

La garanzia copre i difetti di materiale e fabbrica dell'attrezzo che si manifestano subito dopo l'acquisto. La garanzia copre solo i difetti che si manifestano durante l'uso normale e conforme alle istruzioni del manuale di installazione, manutenzione ed uso fornito da Tunturi. L'azienda Tunturi Ltd ed i suoi rivenditori non rispondono dei danni causati da eventi al di fuori del loro controllo. La garanzia riguarda solo il proprietario originario dell'attrezzo ed è in vigore solo in quei paesi in cui Tunturi Ltd dispone di un proprio rappresentante autorizzato.

La garanzia non copre i difetti di quegli attrezzi o componenti che sono stati modificati senza l'espressa autorizzazione del fabbricante Tunturi Ltd. La garanzia non copre i difetti causati dalla normale usura, da un uso in condizioni non previste, dalla corrosione, dalla movimentazione e dal trasporto.

La garanzia non copre rumori o suoni emessi durante l'uso a meno che non impediscano l'uso dell'attrezzo e che non siano causati da un guasto all'attrezzo stesso.

La garanzia non comprende nemmeno i normali interventi di servizio dell'attrezzo, come per esempio la pulizia, lubrificazione, controllo periodico dei componenti né le piccole installazioni che può effettuare il cliente stesso e che non richiedono lo smontaggio/montaggio dell'attrezzo. Questi interventi sono, per esempio, la sostituzione del pannello, dei pedali o di altri componenti analoghi. La garanzia non copre gli interventi di riparazione previsti, se non vengono eseguiti da un rappresentante autorizzato Tunturi. Se sbagliate a seguire le istruzioni del manuale d'uso, decade subito la garanzia sul prodotto.

## Pulizia e manutenzione

### ⚠ ATTENZIONE

- Prima di qualsiasi intervento di pulizia o manutenzione, scollegare la spina di alimentazione dalla presa a muro.
  - Non utilizzare solventi per pulire l'apparecchio.
- Non bloccare le aperture di ventilazione. Mantenere le aperture di ventilazione pulite da polvere, sporco e altre ostruzioni.
  - Pulire l'apparecchio con un panno morbido e assorbente dopo ogni uso.
  - Pulire la parti visibile dell'apparecchio con un aspirapolvere dotato di bocchetta a lancia.
  - Verificare regolarmente che tutte le viti e i dadi siano serrati.

### Cinghia e Pedana per la corsa

Il vostro tapis roulant utilizza un fondo a bassa frizione molto efficiente. Se la pedana per la corsa viene sempre tenuta bella pulita, avrà delle migliori prestazioni. Utilizzate un panno morbido e umido, oppure della carta assorbente per pulire il bordo della cinghia e la zona fra il bordo della cinghia e il telaio. Cercate anche di arrivare, se riuscite, sotto il bordo della cinghia. Questo andrebbe fatto una volta al mese per prolungare la durata della cinghia e della pedana per la corsa. Utilizzate solo dell'acqua, niente detergenti o abrasivi. Una soluzione con acqua e sapone delicato insieme ad una spazzola in nylon pulirà la parte superiore della cinghia. Consentite alla cinghia di asciugare prima di usarla.

### Lubrificazione (fig. F-6)

La lubrificazione del tapis roulant deve essere controllata ogni 2 mesi, sulla base di un utilizzo medio di 60 minuti al giorno.

La pedana del tapis roulant viene pre-lubrificata prima di essere montata sul tapis roulant durante la produzione dell'attrezzo. Pertanto non è necessario lubrificare la pedana al primo utilizzo.

### ⚠ AVVERTIMENTO

- Prima della lubrificazione, togliere la spina elettrica dalla presa di corrente.

### ⚠ ATTENZIONE

- Si consiglia di controllare la lubrificazione della cinghia di scorrimento almeno una volta al mese, in quanto più fattori del tempo possono essere efficaci per le condizioni del lubrificante.
  - Lubrificare il tapis roulant solo se necessario. Se applicate troppo lubrificante, il tapis roulant slitterà facilmente a causa di una mancanza di frizione.
- Stare ben fermi sul tapis roulant.
  - Afferrare il manubrio anteriore e spingere il tapis roulant con i piedi di modo che scivoli avanti e indietro. Il tapis roulant deve muoversi senza problemi e in modo uniforme senza fare rumore.
  - Se il tapis roulant non si muove senza problemi e in modo uniforme o se non si muove per niente, toccare la parte inferiore del tapis roulant con le punte delle dita per verificare la lubrificazione:
  - Se sentite la lubrificazione o se le punte delle vostre dita sono lucide, significa che il tapis roulant è sufficientemente lubrificato.
  - Se non sentite la lubrificazione o se le punte delle vostre dita sono impolverate o ruvide, applicare del lubrificante (15-20 ml) nella parte centrale del tappeto sotto il tapis roulant e far funzionare l'apparecchio a 5km/h per almeno 5 minuti.
  - Dopo la lubrificazione, non piegare.

### Polvere sulla cinghia

Questo succede durante le normali fasi preliminari o fino a quando la cinghia non si sarà stabilizzata. Rimuovere l'eccesso di polvere con un panno umido ridurrà al minimo la formazione di polvere.

### Pulizia generale

Sporcizia, polvere, e peli di animali possono bloccare l'entrata dell'aria ed accumularsi sulla cinghia per la camminata. Mensilmente: pulire con un aspiratore sotto il tapis roulant per evitare l'accumulo di polvere. Due volte all'anno, dovrete rimuovere il coperchio del motore di colore nero e pulire con un aspiratore tutto lo sporco che potrebbe essersi accumulato.

PRIMA DI FARE QUESTO, BISOGNA STACCARE IL CAVO DI ALIMENTAZIONE..

### Registrazioni della cinghia

La registrazione deve essere fatta dal rullo posteriore. I bulloni di regolazione si trovano alla fine delle guide dei passi nei coperchi terminali, come annotato nello schema qui sotto.

- Serrare i bulloni del rullo posteriore (in senso orario) solo quanto basta per evitare lo slittamento sul rullo anteriore. Girare entrambi i bulloni di registrazione della tensione della cinghia di camminamento con incrementi di ¼ di giro ognuno e verificare che vi sia la tensione corretta camminando sulla cinghia a bassa velocità, verificando che la cinghia non slitti. Continuare a tirare i bulloni fino a quando la cinghia non slitterà più.
- Se sentite che la cinghia è sufficientemente tesa, ma continua a slittare, il problema potrebbe essere una cinghia di trasmissione del motore lenta sotto il coperchio anteriore.
- Non serrare troppo  
Un sovrasserraggio danneggerà la cinghia e causerà un guasto prematuro del cuscinetto.

### Registrazione dell'orientamento della cinghia di camminamento:

Le prestazioni del vostro tapis roulant dipendono dal telaio che deve muoversi su una superficie ragionevolmente piana. Se il telaio non è in piano, il rullo anteriore e posteriore non possono andare paralleli, e potrebbe servire una registrazione continua della cinghia. Il tapis roulant è progettato per tenere la cinghia di camminamento ragionevolmente centrata durante l'uso. E' normale che alcune cinghie si spostino su un fianco se la cinghia gira senza nessuno sopra. Dopo alcuni minuti di utilizzo, la cinghia di camminamento dovrebbe iniziare a centrarsi da sola. Se, durante l'uso, la cinghia continua a spostarsi su un lato, è necessario effettuare delle registrazioni.

### ECCEZIONE:

Durante la riabilitazione dove l'utente utilizza una gamba più dell'altra, potrebbe succedere che la cinghia di camminamento si sposti su un lato. In questi casi non dovrete regolarla a meno che la cinghia di camminamento non si accentri.

### Per impostare l'orientamento della cinghia di camminamento (fig. F-5)

Viene fornita una chiave a brugola da 6 mm per registrare il rullo posteriore. Fare le registrazioni di orientamento solo dal lato sinistro. Impostare la velocità della cinghia a circa 3 / 5 kmh.

Ricordatevi che anche una piccola registrazione può fare moltissima differenza!

Ruotare il bullone laterale sinistro in senso orario per spostare la cinghia a destra. In senso antiorario per spostarla verso sinistra. Girare il bullone di un solo ¼ di giro e attendere qualche minuto perché la cinghia si regoli da sola. Continuare a girare con rotazioni di ¼ di giro fino a quando la cinghia non si sarà stabilizzata al centro della pedana di camminamento.



La cinghia potrebbe richiedere una registrazione dell'orientamento a seconda dell'uso e dalle caratteristiche di camminamento/corsa. Alcuni utenti influenzeranno l'orientamento in modo differente. Prevedete di fare le regolazioni richieste per centrare la cinghia. Le regolazioni diventeranno meno di una manutenzione se la cinghia è usata. Un orientamento corretto della cinghia è responsabilità del proprietario comune a tutti i tapis roulant.

#### NOTA

- I danni alla cinghia di camminamento causati da un orientamento/registrazione di tensione non corretti non sono coperti dalla garanzia.

## Disturbi durante l'uso

Nonostante un continuo controllo della qualità, l'attrezzatura potrebbe talvolta presentare difetti e malfunzionamenti, causati da qualche singolo componente. Nella maggior parte dei casi, non c'è bisogno di mettersi a far riparare tutta l'attrezzatura, ma generalmente basta sostituire il pezzo o la parte difettosa.

Se l'attrezzo non funziona bene durante l'uso o se si ha bisogno dei pezzi di ricambio, contatta il tuo rivenditore Tunturi indicando che cosa ti tratta, le condizioni in cui lo usi, la data di acquisto, il modello e il numero di serie del tuo attrezzo. Si raccomanda di utilizzare sempre pezzi di ricambio originali.

Se si richiedono parti di ricambio, fornire sempre il modello, il numero di serie dell'apparecchiatura e il numero di parte di ricambio per la parte necessaria. L'elenco dei pezzi di ricambio è sul retro di questo manuale. Utilizzare solo pezzi di ricambio citati nell'elenco delle parti di ricambio.

## Trasporto e stoccaggio

### ATTENZIONE

- Prima di qualsiasi intervento di pulizia o manutenzione, scollegare la spina di alimentazione dalla presa a muro.
  - Per trasportare e spostare l'apparecchio sono necessarie almeno due persone.
  - Verificare che non siano presenti persone o oggetti sotto l'apparecchio.
- Spostare l'apparecchio come illustrato (fig. E3). Spostare l'apparecchio e abbassarlo con cura. Collocare l'apparecchio su una base protettiva per evitare danni alla superficie del pavimento. Spostare l'apparecchiatura con attenzione sulle superfici irregolari. Non spostare l'apparecchio al piano superiore utilizzando le ruote ma sostenerlo per le impugnature.
- Riporre l'apparecchio in posizione verticale (fig. E2). Riporre l'apparecchio in un luogo asciutto con la minore variazione di temperatura possibile.

### Stoccaggio in posizione verticale.

#### ATTENZIONE

- Considerare che quando si ripone il tapis roulant in posizione verticale è stabile solo per supportare il proprio peso.

Si consiglia di riporre in tapis roulant in posizione orizzontale solo in un luogo dove c'è poco traffico o movimento di persone. Il luogo migliore può essere accanto a una parete o a un armadio.

## Informazioni aggiuntive

### Smaltimento dell'imballo

Le linee guide governative chiedono di ridurre la quantità di rifiuti smaltiti nelle discariche. Per questo vi chiediamo di smaltire in modo responsabile tutti i rifiuti d'imballo presso dei centri di riciclaggio pubblici.

### Smaltimento a fine vita

Noi di Tunturi speriamo che possiate godervi molti anni di piacevole uso dal nostro fitness trainer. Tuttavia, arriverà il momento quando il vostro fitness trainer arriverà alla fine della sua vita utile. Secondo la Legislazione Europea WEEE voi siete responsabili per uno smaltimento appropriato del vostro fitness trainer presso una struttura di raccolta pubblica autorizzata.

## Dati tecnici

Parametro	Unità di misura	Valore
Tensione di alimentazione	Vca	210 ~ 240
Frequenza di alimentazione	HZ	50 ~ 60
Velocità	Km/H	1.0 ~ 12.0
Inclinazione	Step	<input checked="" type="checkbox"/>
Lunghezza (ripiegato)	Cm	148.0 ( 155.0)
Larghezza	Cm	73.0
Altezza (ripiegato)	Cm	121.0 (16.0)
Peso	Kg	36.0
Ricevitore per la frequenza cardiaca telemetrico	contatto con la mano 5.3~ 5.4 Khz. Bluetooth (BLE) ANT+	<input checked="" type="checkbox"/> <input checked="" type="checkbox"/> <input checked="" type="checkbox"/> <input checked="" type="checkbox"/>

## Dichiarazione del fabbricante

Tunturi New Fitness BV dichiara che questo prodotto è conforme ai seguenti standard e direttive: EN 957 (HC), 2014/30/EU. Pertanto sul prodotto è apposto il marchio CE.

04-2020

Tunturi New Fitness BV  
Purmerweg 1  
1311 XE Almere  
Paesi Bassi

## Clausola di esonero della responsabilità

© 2020 Tunturi New Fitness BV  
Tutti i diritti riservati.

- Il prodotto e il manuale sono soggetti a modifiche.
- Le specifiche tecniche possono essere modificate senza preavviso.
- Vedere il nostro sito Web per la versione del manuale più recente.

## Español

Este manual español es una traducción del texto inglés. No se pueden derivar derechos de esta traducción. El texto original en inglés prevalecerá.

## Índice

<b>¡Bienvenido .....</b>	<b>50</b>
<b>Advertencias de seguridad.....</b>	<b>50</b>
Seguridad eléctrica .....	50
<b>Instrucciones de montaje.....</b>	<b>51</b>
Descripción de la ilustración A.....	51
Descripción de la ilustración B.....	51
Descripción de la ilustración C.....	51
Montaje (fig. D) .....	51
Sesiones de ejercicio.....	51
Ejercicio Instrucciones.....	51
<b>Uso .....</b>	<b>52</b>
Montaje (fig. D) .....	52
Plegado y desplegado del equipo. ....	52
<b>Consola (fig. E-1) .....</b>	<b>53</b>
Botones de la pantalla .....	53
Botones del mando a distancia.....	53
Explicación de los elementos de la pantalla (Fig. E-1).....	54
Programas preestablecidos (P1~P3) .....	54
Garantía.....	54
<b>Limpieza y mantenimiento.....</b>	<b>55</b>
Lubricación (fig. F-6).....	55
<b>Defectos De Funcionamiento .....</b>	<b>56</b>
<b>Transporte y almacenamiento.....</b>	<b>56</b>
Información adicional.....	56
<b>Datos técnicos .....</b>	<b>56</b>
<b>Declaración del fabricante .....</b>	<b>56</b>
<b>Descargo de responsabilidad .....</b>	<b>56</b>

## ¡Bienvenido

¡Bienvenido al mundo de Tunturi Fitness!

Le agradecemos la compra de esta máquina Tunturi. Tunturi ofrece una amplia gama de máquinas de fitness profesionales como bicicletas elípticas, cintas de correr, bicicletas de ejercicio, bancos de fuerza y estaciones múltiples. La máquina Tunturi es adecuada para toda la familia, independientemente del nivel de forma física. Si desea información adicional, visite nuestro sitio web [www.tunturi.com](http://www.tunturi.com)

### Información y precauciones

Lea atentamente esta guía antes del montaje, uso o mantenimiento de su equipo de ejercicio. Mantenga esta guía en lugar seguro; le brindará hoy y en el futuro la información que necesite para usar y mantener su equipo. Siga siempre atentamente sus instrucciones.

## Advertencias de seguridad

### ⚠ ADVERTENCIA

- Lea las advertencias de seguridad y las instrucciones. De no seguirse las advertencias de seguridad y las instrucciones pueden producirse lesiones personales o daños en la máquina. Conserve las advertencias de seguridad y las instrucciones para su consulta posterior.

### ⚠ ADVERTENCIA

- Los sistemas de motorización de frecuencia cardíaca pueden ser imprecisos. Un exceso de ejercicio puede provocar lesiones graves o incluso la muerte. Si se siente mareado, deje de hacer ejercicio inmediatamente.

- La máquina es adecuada únicamente para uso doméstico. La máquina no es adecuada para un uso comercial.
- El uso máx. Está limitado a 2 horas al día.
- El uso de esta máquina por niños o por personas con una discapacidad física, sensorial o motora, o falta de experiencia y conocimientos, puede dar lugar a situaciones de riesgo. Las personas responsables de su seguridad deben dar instrucciones explícitas o supervisar el uso de la máquina.
- Antes de empezar a hacer ejercicio, consulte con un médico para comprobar su estado de salud.
- Si experimenta náuseas, mareos u otros síntomas anormales, deje de hacer ejercicio inmediatamente y consulte con un médico.
- Para evitar dolor y tensión muscular, realice un calentamiento antes de empezar a hacer ejercicio y termine haciendo relajación. Recuerde hacer estiramientos al final de la sesión de ejercicio.
- La máquina es adecuada únicamente para uso en interior. La máquina no es adecuada para un uso en exterior.
- Utilice la máquina únicamente en lugares con una ventilación adecuada. No utilice la máquina en lugares donde haya corriente para no resfriarse.
- Utilice la máquina únicamente en lugares con una temperatura ambiente entre 10 °C y 35 °C. Almacene la máquina únicamente en lugares con una temperatura ambiente entre 5 °C y 45 °C.
- No utilice ni almacene la máquina en espacios húmedos. La humedad del aire no debe ser superior al 80%.
- Utilice la máquina sólo para su uso previsto. No la utilice para otros fines que no sean los descritos en el manual.
- La máquina no debe utilizarse si alguna de las piezas ha sufrido daños o tiene algún defecto. Contacte con su proveedor si alguna de las piezas ha sufrido daños o tiene algún defecto.
- Mantenga las manos, los pies y demás partes del cuerpo alejadas de las piezas móviles.
- Mantenga el pelo alejado de las piezas móviles.
- Lleve ropa y calzado adecuado.
- Mantenga la ropa, las joyas y otros objetos alejados de las piezas móviles.
- Asegúrese de que sólo una persona utilice la máquina cada vez. La máquina no debe ser utilizada por personas cuyo peso supere los 100 kg (220 lbs).
- No abra la máquina sin consultar con su proveedor.

### Seguridad eléctrica

(Aplicable sólo para máquinas con limitación eléctrica)

- Antes del uso, compruebe siempre que la tensión de red sea la misma que la tensión indicada en la placa de características de la máquina.
- No utilice un cable alargador.
- Mantenga el cable de red alejado del calor, de aceite y de bordes afilados.

- No altere ni modifique el cable de red o el enchufe de red.
- No utilice la máquina si el cable de red o el enchufe de red ha sufrido daños o tiene algún defecto. Si el cable de red o el enchufe de red ha sufrido daños o tiene algún defecto, contacte con su proveedor.
- Desenrolle siempre el cable de red en su totalidad.
- No pase el cable de red debajo de la máquina. No pase el cable de red debajo de una alfombra. No coloque ningún objeto sobre el cable de red.
- Asegúrese de que el cable de red no cuelgue sobre el borde de una mesa. Asegúrese de que el cable de red no quede atrapado y que no sea posible tropezarse con él.
- No deje la máquina desatendida cuando el enchufe de red esté insertado en la toma de pared.
- No tire del cable de red para sacar el enchufe de la toma de pared.
- Retire el enchufe de red de la toma de pared cuando la máquina no se esté utilizando, antes del montaje o el desmontaje o antes de la limpieza y el mantenimiento.

### ⚠ ADVERTENCIA

- Si la tensión varía en un diez por cien (10%) o más, esto podrá afectar al rendimiento de la cinta. Esta situación no está cubierta por la garantía. Si sospecha que la tensión es baja, póngase en contacto con su compañía eléctrica o un electricista autorizado para que lo compruebe.

### ⚠ ADVERTENCIA

- Sitúe el cable de alimentación lejos de cualquier pieza móvil de la cinta, incluido el mecanismo de elevación y las ruedas de transporte.

### Instrucciones de toma de tierra

Este producto deberá tener una toma de tierra. Si el sistema eléctrico de la cinta se averiara o fallara, la toma de tierra proporciona una ruta de menos resistencia para la corriente eléctrica, reduciendo el riesgo de descarga eléctrica. Este producto está equipado con un cable que tiene un enchufe de toma de tierra de equipo. El enchufe se deberá enchufar en una toma adecuada que esté instalada correctamente y esté conectada a tierra conforme a todos los códigos y disposiciones locales.

### ⚠ ADVERTENCIA

- Una conexión inadecuada del conductor de toma de tierra del equipo podrá provocar un riesgo de descarga eléctrica. Compruebe con un electricista cualificado o persona de mantenimiento si tiene dudas sobre si el producto está conectado a tierra correctamente. No modifique el enchufe proporcionado con el producto si no encaja en la toma; encargue a un electricista cualificado que le instale una toma adecuada.

## Instrucciones de montaje

### Descripción de la ilustración A

La ilustración muestra cuál debe ser el aspecto de la máquina una vez completado el montaje.

Puede utilizar esta ilustración como referencia durante el montaje, pero siga siempre los pasos de montaje en el orden correcto como se muestra en las ilustraciones.

### Descripción de la ilustración B

La ilustración muestra los componentes y las piezas que debe encontrar al desembalar el producto.

### ⚠ ATENCIÓN !!

- Las piezas de pequeño tamaño pueden estar ocultas o embaladas en espacios huecos del sistema de protección de poliestireno extruido del producto
- Si falta una pieza, contacte con su proveedor.

### Descripción de la ilustración C

La ilustración muestra el juego de tornillería que se suministra con el producto.

### Montaje (fig. D)

El producto viene totalmente montado en la caja de cartón. El producto viene plegado en la caja de cartón.

### ⚠ NOTA

- Para desplegar la cinta de correr, véase la sección "Plegado y desplegado del equipo" de este manual.

### ⚠ ADVERTENCIA

- Al menos dos personas deben transportar y mover la máquina.

### ⚠ ADVERTENCIA

- Coloque la máquina sobre una superficie firme y nivelada.
- Coloque la máquina sobre una base protectora para evitar daños en la superficie del suelo.
- Deje unos 100 cm de espacio alrededor de la máquina.

### Sesiones de ejercicio

La sesión de ejercicio debe ser ligera, pero de larga duración. El ejercicio aeróbico se basa en mejorar el consumo de oxígeno máximo del cuerpo, lo que a su vez mejora la resistencia y la forma física. Debe transpirar, pero no debe quedarse sin aliento durante la sesión de ejercicio. Para lograr y mantener un nivel de forma física básico, debe realizar ejercicio al menos tres veces a la semana, 30 minutos cada vez. Aumente el número de sesiones de ejercicio para mejorar su nivel de forma física. Vale la pena combinar el ejercicio regular con una dieta sana. Una persona que se encuentre a dieta debe realizar ejercicio a diario, al principio 30 minutos o menos cada vez, aumentando gradualmente el tiempo de ejercicio diario hasta una hora. Empiece la sesión de ejercicio a velocidad baja y resistencia baja para evitar que el sistema cardiovascular se vea sometido a una tensión excesiva. A medida que mejore el nivel de forma física, pueden aumentarse gradualmente la velocidad y la resistencia. La eficiencia de su ejercicio puede medirse supervisando su frecuencia cardíaca y sus pulsaciones.

### Ejercicio Instrucciones

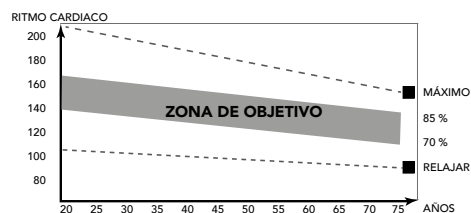
El uso de su entrenador le aportará muchas ventajas, mejorará su tono físico, tonificará los músculos y, combinado con una dieta con un consumo controlado de calorías, le ayudará a perder peso.

### Fase de calentamiento

Esta fase mejora la circulación y favorece el buen funcionamiento de los músculos. Asimismo, reduce el riesgo de calambres y de lesiones musculares. Es conveniente realizar una serie de ejercicios de estiramiento, como se muestra más abajo. Al estirar se debe mantener la posición durante unos 30 segundos; no fuerce los músculos ni realice movimientos bruscos para estirarlos, si duele, PARE inmediatamente.

## Fase de ejercicio

Esta es la fase de esfuerzo. Tras un uso regular, los músculos de las piernas irán ganando flexibilidad. Es importante mantener un ritmo estable durante toda esta fase. El ejercicio debe ser lo suficientemente fuerte como para incrementar el ritmo cardíaco hasta el objetivo que se muestra en el siguiente cuadro.



Esta fase debe tener una duración mínima de 12 minutos, aunque la mayoría de las personas empiezan a los 15-20 minutos.

## Fase de enfriamiento

La finalidad de esta fase es permitir que se relaje el sistema cardiovascular y los músculos. Es una repetición del ejercicio de calentamiento, por lo que debe ir reduciendo el ritmo de manera constante durante unos 5 minutos. En este momento debe repetir también los ejercicios de estiramiento, evitando de nuevo forzar los músculos o hacer movimientos bruscos.

A medida que vaya mejorando su forma física, es posible que el entrenamiento tenga que ser más largo e intenso. Es aconsejable entrenarse al menos tres veces a la semana, espaciando de manera uniforme, en la medida de lo posible, los entrenamientos durante la semana.

## Tonificación muscular

Si quiere tonificar los músculos mientras trabaja con el aparato, deberá ajustar la resistencia en un nivel bastante alto. Así aumentará la tensión sobre los músculos de las piernas, con lo que es posible que no pueda entrenarse durante todo el tiempo que le gustaría. Si quiere mejorar su condición física, tendrá que modificar también el programa de entrenamiento. El entrenamiento durante las fases de calentamiento y enfriamiento será igual, pero debe aumentar la resistencia hacia el final de la fase de ejercicio para incrementar el esfuerzo del tren inferior. Tendrá que reducir la velocidad para mantener el ritmo cardíaco en la zona objetivo.

## Pérdida de peso

El factor determinante en este sentido es el esfuerzo realizado. Cuanto más intenso y prolongado sea el ejercicio físico, más calorías quemará. En realidad, es lo mismo que si se entrenara para mejorar la condición física, lo que cambia es el objetivo.

## Uso

### Interruptor de alimentación principal (fig. E-2A)

La máquina está equipada con un interruptor de alimentación principal para poder a pagarla completamente.

#### Para poner en marcha la máquina:

- Inserte el enchufe de red en la máquina.
- Inserte el enchufe de red en la toma de pared.
- Sitúe el interruptor de alimentación principal en la posición de encendido (ON).

#### Para parar la máquina:

- Sitúe el interruptor de alimentación principal en la posición de apagado (OFF).
- Retire el enchufe de red de la toma de pared.
- Retire el enchufe de red de la máquina.

## Montaje (fig. D)

El producto viene totalmente montado en la caja de cartón. El producto viene plegado en la caja de cartón.

### !! NOTA

- Para desplegar la cinta de correr, véase la sección "Plegado y desplegado del equipo" de este manual.
- Asegúrese de que la pinza de la llave de seguridad esté bien sujeta a su ropa.
- Asegúrese de no retirar la pinza de su ropa antes de retirar la llave de seguridad de la consola.

### ⚠ NOTA

- La consola mostrará E7 cuando la llave de seguridad no esté en posición durante el inicio.

## Disyuntor (Fig. E-2B)

La máquina está equipada con un disyuntor que interrumpe el circuito cuando la carga eléctrica está por encima de la capacidad máxima. Cuando esto ocurra, debe pulsarse el disyuntor.

### ⚠ ADVERTENCIA

- Antes de pulsar el disyuntor, retire el enchufe de red de la máquina.

Si la máquina se apaga, haga lo siguiente para reiniciarla:

- Retire el enchufe de red de la máquina.
- Pulse el disyuntor para reiniciar la máquina.
- Inserte el enchufe de red en la máquina.

### ⚠ NOTA

- Algunos disyuntores usados en las casas no son idóneos para elevadas corrientes de irrupción que pueden producirse cuando se enciende por primera vez una cinta de correr o incluso durante el uso normal. Si la cinta está disparando el disyuntor (incluso aunque sea de la clase de corriente correcta y la cinta sea el único aparato del circuito), pero el disyuntor de la cinta en sí no se dispara, tendrá que sustituir el disyuntor por uno de clase de irrupción elevada. No es un defecto cubierto por la garantía. Es una situación que nosotros, como fabricantes, no podemos controlar.

## Plegado y desplegado del equipo.

### !! NOTA

- Antes de plegar o desplegar el equipo, asegúrese de que se ha retirado el mando a distancia del soporte para evitar que se caiga.
- También se pueden sacar las dos palancas de sujeción (n.º 8) y se pueden colocar libremente sin apretarlas o se puede aflojar el elemento fijo.  
Libere las palancas de sujeción (n.º 8) y gírelas para ajustar la fijación.

## Desplegado del equipo (fig. F1)

- **Cuando esté en posición de almacenamiento vertical**
- Mientras está sujetando el bastidor de la cinta, afloje el mando de fijación del bastidor estabilizador (n.º 43) en el lado derecho del bastidor estabilizador (n.º 42) girándolo hacia la izquierda.
- Incline el bastidor principal ligeramente hacia delante y pliegue el bastidor estabilizador.
- Mientras está sujetando el bastidor de la cinta, fije el mando de fijación del bastidor estabilizador (n.º 43) en el lado derecho del bastidor estabilizador (n.º 42) girándolo hacia la derecha.
- Baje la cinta colocada derecha en la posición horizontal.

- **Cuando esté en posición de almacenamiento horizontal**
- Gire las dos palancas de sujeción (n.º 8) hacia la izquierda para aflojar la fijación del manillar.
- Inclíne el manillar en posición vertical. (ligero ángulo hacia delante)
- Gire las dos palancas de sujeción (n.º 8) hacia la derecha para apretar la fijación.
- El equipo estará ahora en posición lista para usar.

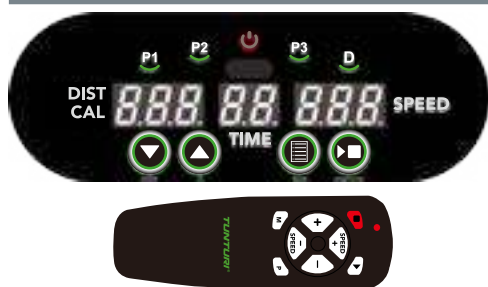
Consulte las ilustraciones para ver la forma correcta de desplegar el equipo.

### Plegado del equipo (fig. F2)

- **Cuando esté en la posición lista para usar**
- Gire las dos palancas de sujeción (n.º 8) hacia la izquierda para aflojar la fijación.
- Guíe el manillar en la posición horizontal hacia abajo.
- Gire las dos palancas de sujeción (n.º 8) hacia la derecha para apretar la fijación del manillar.
- El equipo estará ahora en la posición de almacenamiento horizontal.
- **Cuando esté en posición de almacenamiento horizontal**
- Inclíne el bastidor de la cinta de correr en la posición vertical levantándolo del bastidor principal (no levante la cinta sujetando el manillar).
- Mientras está sujetando el bastidor de la cinta, afloje el mando de fijación del bastidor estabilizador (n.º 43) en el lado derecho del bastidor estabilizador (n.º 42) girándolo hacia la izquierda.
- Inclíne el bastidor principal ligeramente hacia delante y despliegue el bastidor estabilizador.
- Mientras está sujetando el bastidor de la cinta, fije el mando de fijación del bastidor estabilizador (n.º 43) en el lado derecho del bastidor estabilizador (n.º 42) girándolo hacia la derecha.
- La cinta de correr estará ahora en la posición de almacenamiento vertical.

Consulte las ilustraciones para ver la forma correcta de plegar el equipo.

## Consola (fig. E-1)



### ⚠ PRECAUCIÓN

- Mantenga la consola alejada de la luz solar directa.
- Seque la superficie de la consola cuando esté cubierta de gotas de sudor.
- No se apoye en la consola.
- Toque la pantalla únicamente con la punta del dedo. Asegúrese de no tocar la pantalla con las uñas ni objetos afilados.

### 📄 NOTA

- La consola pasa al modo de espera activa cuando la máquina no se usa durante 10 minutos.

## Botones de la pantalla

### Start/Stop

- Pulse el botón "Start/Stop" para iniciar el entrenamiento seleccionado cuando la cinta esté en modo parado. Después de una cuenta atrás de 3 segundos, se iniciará el entrenamiento a 1,0 km/h.
- Pulse el botón "Start/Stop" para detener la cinta gradualmente cuando esté en modo de entrenamiento.

### Mode

- Muévase entre los parámetros fijados como objetivo en el modo de programación. Seleccione entre: tiempo objetivo, distancia objetivo o calorías objetivo.

### Arriba

- Aumenta la velocidad (1,0 ~ 12,0 km/h).
- Cada pulsación aumenta la velocidad 0,1 km/h.
- Si se mantiene pulsado durante dos segundos la velocidad aumenta más rápidamente.
- Cambia los valores en modo de programación objetivo.

### Abajo

- Reduce la velocidad (1,0 ~ 12,0 km/h).
- Cada pulsación reduce la velocidad 0,1 km/h.
- Si se mantiene pulsado durante dos segundos la velocidad disminuye más rápidamente.
- Cambia los valores en modo de programación objetivo.

## Botones del mando a distancia

### Stop

- Pulse el botón "Stop" para detener la cinta gradualmente cuando esté en modo de entrenamiento.

### Start

- Pulse el botón "Start" para iniciar el entrenamiento seleccionado cuando la cinta esté en modo parado. Después de una cuenta atrás de 3 segundos, se iniciará el entrenamiento a 1,0 km/h.

### + (plus)

- Aumenta el valor cuando está en modo de programación objetivo.

### - (min.)

- Reduce el valor cuando está en modo de programación objetivo.

### Speed +

- Aumenta el valor cuando está en modo de programación objetivo.
- Aumenta la velocidad del entrenamiento cuando está en modo de entrenamiento.

### Speed -

- Reduce el valor cuando está en modo de programación objetivo.
- Reduce la velocidad del entrenamiento cuando está en modo de entrenamiento.

### M (Modo)

Pulse el botón M en modo de programación:

- 1 vez: Abre el modo de objetivo de tiempo. (30 parpadeos en pantalla)
- 2 veces: Abre el modo de objetivo de distancia (D y 1,0 parpadeos en pantalla)
- 3 veces: Abre el modo de objetivo de calorías (50 parpadeos en pantalla)

**P (Programa)**

Pulse el botón P en modo de programación:

- 1 vez: Selecciona programa P1 (se muestra P1 y 10 en pantalla)
- 2 veces: Selecciona programa P2 (se muestra P2 y 20 en pantalla)
- 3 veces: Selecciona programa P3 (se muestra P3 y 30 en pantalla)

**!! NOTA**

- El mando a distancia solo puede funcionar correctamente si el espacio entre el emisor y el receptor del mando a distancia de la pantalla del bastidor principal no está bloqueado por ningún objeto.
- El mando a distancia tendrá que tener 2 pilas AAA para que funcione.
- Cambie las pilas cuando el mando a distancia no responda.

**Explicación de los elementos de la pantalla (Fig. E-1)****Velocidad**

- Muestra la velocidad real de la cinta en modo de entrenamiento.
- Rango de visualización: 1,0 ~ 12,0 ± 0,1 km/h

**Distancia**

- Muestra la distancia recorrida en modo de entrenamiento.
- Ámbito de ajuste: 0,0 ~ 99,9 km.
- Rango de visualización: 0,0 ~ 99,9 km.

**Tiempo**

- Muestra el tiempo de entrenamiento en modo de entrenamiento.
- Ámbito de ajuste: 5 ~ 99 minutos
- Rango de visualización: 0 ~ 59 seg. / 1 ~ 99 minutos

**Calorías**

- Muestra las kilocalorías consumidas en modo de entrenamiento.
- Ámbito de ajuste: 10 ~ 300 Kcal.
- Rango de visualización: 0 ~ 999 Kcal.

**P1, P2, P3, D, ⏸**

- P1, P2, P3: Indica el programa seleccionado.
- D: Indica que el modo objetivo seleccionado es Distancia. Se mostrará D cuando el parámetro de distancia se muestra en el modo de entrenamiento.
- ⏸: Indica que la cinta de correr está en modo parada.

**!! NOTA**

- Estos datos sirven como guía para comparar distintas sesiones de ejercicio que no se pueden utilizar en tratamientos médicos.

**!! NOTA**

- La pantalla de calorías/distancia escanea cada 5 segundos.

**Programas preestablecidos (P1~P3)**

El equipo cuenta con 3 programas preestablecidos con diferentes perfiles.

(Tabla fig. G.)

- Pulse los botones "P" para seleccionar "P1~P3"

**Programa P1.**

El programa P1 es un programa de perfil de intervalo de velocidad fijo con una duración fija de 10 minutos.

**Programa P2.**

El programa P2 es un programa de perfil de intervalo de velocidad fijo con una duración fija de 20 minutos.

**Programa P3.**

El programa P3 es un programa de perfil de intervalo de velocidad fijo con una duración fija de 30 minutos.

**Garantía****Garantía del propietario del equipo Tunturi****Condiciones de la garantía**

El consumidor tiene derecho a la aplicación de los derechos legales específicos de la legislación nacional concernientes al comercio de bienes de consumo y esta garantía no limita dichos derechos. La Garantía del Propietario sólo estará en vigor cuando el equipo se utilice en el entorno de uso permitido por Tunturi New Fitness BV para dicho equipo de ejercicio. En las instrucciones de uso de cada aparato se especifica el entorno de uso permitido para el mismo.

**Términos de la garantía**

Los términos de la garantía comenzarán el día de la compra. Los términos de garantía pueden variar por país, así que consulte con su distribuidor local para ver cuáles son los términos de la garantía.

**Cobertura de la garantía**

Tunturi New Fitness BV o los distribuidores Tunturi no responderán en ninguna circunstancia a causa de esta garantía por los eventuales daños indirectos, secundarios, resultantes o especiales de ningún tipo derivados del uso o la imposibilidad de uso de este equipo.

**Restricciones a la garantía**

La garantía cubre los fallos debidos a la fabricación y los materiales en un equipo de ejercicio que esté en su ensambladura original. La garantía cubre solamente defectos que se manifiesten durante un uso normal, conforme a las instrucciones dadas en la guía suministrada con el equipo, a condición de que se hayan observado las instrucciones de montaje, mantenimiento y utilización proporcionadas por Tunturi. Tunturi New Fitness BV y los distribuidores Tunturi no pueden responder de fallos ocasionados por circunstancias ajenas a su control. La presente garantía sólo es válida para el comprador original del equipo de ejercicio y tiene vigencia solamente en los países en los que Tunturi New Fitness BV cuenta con un importador autorizado. La garantía no cubre los equipos de ejercicio o sus partes que hayan sido modificados sin el consentimiento previo de Tunturi New Fitness BV. La garantía no cubre fallos derivados del desgaste normal, de un uso indebido, de su uso en condiciones para las que el equipo no ha sido concebido, corrosión o daños sufridos durante la carga o el transporte.

La garantía no cubre los sonidos o ruidos emitidos durante el uso que no impidan de forma sustancial la utilización del equipo y que no estén provocados por un fallo del mismo

La garantía no cubre las actividades de mantenimiento tales como limpieza, lubricación o el ajuste normal de las piezas, ni los procedimientos de instalación que el cliente pueda realizar por sí mismo y que no requieran un desmontaje / montaje especial del equipo de ejercicio. Estos procedimientos son, por ejemplo, el cambio de contadores, pedales o de otras piezas simples similares. No se reembolsarán las reparaciones realizadas durante el periodo de garantía por agentes no autorizados por Tunturi. Si no se siguen adecuadamente las instrucciones dadas en el Manual del Propietario se invalidará la garantía del producto.

## Limpieza y mantenimiento

### ⚠ ADVERTENCIA

- Antes de la limpieza y el mantenimiento, retire el enchufe de red de la toma de pared.
  - No utilice disolventes para limpiar la máquina.
- No obstruya las aberturas de ventilación. Mantenga las aberturas de ventilación libres de polvo, suciedad y otras obstrucciones.
- Limpie la máquina con un paño suave y absorbente tras cada uso.
- Limpie las partes visibles de la máquina con un aspirador que tenga una boquilla de aspiración pequeña.
- Compruebe periódicamente que todos los tornillos y las tuercas estén apretados.

### Cinta y cubierta de correr:

La cinta usa una base de gran eficacia y baja fricción. El rendimiento se maximiza cuando la cubierta de correr se mantiene lo más limpia posible. Use un paño suave y húmedo o una toalla de papel para limpiar el borde de la cinta y el área entre el borde de la cinta y el bastidor. Llegue también hasta prácticamente justo debajo del borde de la cinta. Deberá hacer esto una vez al mes para aumentar la vida útil de la cinta y la cubierta de correr. Use solo agua – ni productos de limpieza ni abrasivos. Una solución suave de jabón y agua con un cepillo de fregar de nailon servirá para limpiar la parte superior de la cinta con textura. Deje que la cinta se seque antes de usarla.

### Lubricación (fig. F-6)

Debe comprobarse la lubricación de la banda cada 2 meses, en base a un uso medio de 60 minutos al día.

La cinta de correr se lubrica previamente antes de colocarla en el aparato durante la producción de la unidad. Por lo tanto, no hace falta lubricar la cinta de correr cuando se use por primera vez.

### ⚠ ADVERTENCIA

- Antes de la lubricación, retire el enchufe de red de la toma de pared.

### ⚠ PRECAUCIÓN

- Recomendamos revisar la lubricación de la cinta de correr una vez al mes como mínimo, ya que hay otros factores que pueden afectar al estado de la lubricación, aparte del tiempo.
  - Lubrique la banda sólo si es necesario. Si aplica demasiado lubricante, la banda resbalará fácilmente debido a la ausencia de fricción.
- Sitúese sobre la banda.
- Sujete el manillar frontal y empuje la banda con los pies de modo que se deslice hacia atrás y hacia delante. La banda debe moverse suave y regularmente sin hacer ruido.
- Si la banda no se mueve suave y regularmente o no se mueve, toque la parte baja de la banda con las puntas de los dedos para comprobar la lubricación:
- Si nota el lubricante o sus dedos están brillantes, hay suficiente lubricación en la banda.
  - Si no nota lubricante o sus dedos tienen polvo o están ásperos, aplique lubricante (15-20 ml) en la mitad de la plataforma bajo la banda y deje que la máquina funcione a 5 km/h durante al menos 5 minutos.
  - Tras la lubricación, no pliegue la máquina antes de haber realizado una sesión de ejercicio durante 20 minutos con una velocidad de al menos 5 km/ H. El lubricante se extenderá uniformemente por la banda.

### Polvo de la cinta

Esto ocurre durante una interrupción normal o hasta que la cinta se estabilice. Si limpia el exceso de polvo con un paño húmedo se minimizará la acumulación de éste.

### Limpieza general

La suciedad, el polvo y el pelo de los animales pueden bloquear las entradas de aire y acumularse en la cinta de correr. Pase la aspiradora mensualmente debajo de la cinta para evitar que se acumule. Dos veces al año deberá quitar la cubierta negra del motor y aspirar la suciedad que se haya acumulado.

DESENCHUFE EL CABLE DE ALIMENTACIÓN ANTES DE HACER ESTAS TAREAS.

### Ajustes de la cinta

Ajuste de la tensión de la cinta de correr: El ajuste se deberá hacer desde el rodillo trasero. Los tornillos de ajuste se encuentran en el extremo de las barras en las tapas finales, como se indica en el siguiente dibujo.

- Apriete los tornillos del rodillo trasero (a la derecha) solo lo suficiente para que no patine la cinta en el rodillo delantero. Gire los dos tornillos de ajuste de la tensión de la cinta en pasos de ¼ de vuelta cada uno y examine si la tensión es correcta andando sobre la cinta a baja velocidad, asegurándose de que la cinta no patina. Siga tensando los tornillos hasta que la cinta deje de patinar.
- Si le parece que la cinta está suficientemente tensa, pero sigue patinando, el problema puede ser que esté suelta una correa de transmisión del motor debajo de la cubierta delantera.
- No apriete en exceso: Si se aprieta en exceso se podrá dañar la cinta y provocar un fallo prematuro de los cojinetes.

### ajuste de la alineación de la cinta de correr

El rendimiento de la cinta depende de que el bastidor esté sobre una superficie suficientemente plana. Si el bastidor no está horizontal, el rodillo delantero y trasero no podrán ir paralelos y habrá que ajustar constantemente la cinta.

La cinta de correr está diseñada para mantener la cinta razonablemente centrada cuando está en uso. Es normal que algunas cintas se desvíen hacia un lado cuando la cinta está funcionando sin nadie encima. Después de unos minutos de uso, la cinta deberá tender a centrarse por sí misma. Si durante el uso la cinta sigue moviéndose hacia un lado, habrá que ajustarla.

### EXCEPCIÓN:

Durante una rehabilitación en la que el usuario esté usando una pierna mucho más que la otra, puede ocurrir que la cinta se desvíe a un lado. En esos casos, no deberá ajustarla a no ser que la cinta no se centre por sí misma durante el uso en condiciones normales.

### para ajustar la alineación de la cinta (fig. F-5)

Se proporciona una llave Allen de 6 mm para ajustar el rodillo trasero. Solo haga un ajuste de la alineación desde el lado izquierdo. Ajuste la velocidad de la cinta de 3 a 5 km/h.

¡Recuerde, un pequeño ajuste puede suponer una gran diferencial!

Gire el perno del lado izquierdo hacia la derecha (en el sentido de las agujas del reloj) para mover la cinta hacia la derecha. Y gírelo hacia la izquierda (en sentido contrario a las agujas del reloj) para moverlo hacia la izquierda. Gire el tornillo sólo ¼ de vuelta y espere unos momentos hasta que la correa se ajuste por sí sola. Continúe girando ¼ de vuelta hasta que la correa se estabilice en el centro de la plataforma de carrera.

La cinta puede que requiera un ajuste periódico de la alineación dependiendo del uso y de las características de andar/correr. Algunos usuarios tendrán un efecto diferente sobre la alineación. Es de esperar que tenga que hacer los ajustes necesarios para centrar la cinta. Según se vaya usando la cinta, cada vez tendrá que realizar menos ajustes. Una alineación correcta de la cinta es una responsabilidad del propietario habitual en todas las cintas de correr.

#### 🔧 NOTA

- los daños a la cinta de correr derivados de un ajuste incorrecto de la alineación/tensión no están cubiertos por la garantía..

## Defectos De Funcionamiento

Pese al continuo control de calidad que realizamos, el equipo puede presentar defectos o malfuncionamientos debidos a fallos en componentes individuales. En la mayoría de los casos no es necesario llevar todo el equipo a reparar, y generalmente es suficiente con reemplazar la parte defectuosa.

Si el equipo no funciona correctamente durante su uso, tome contacto inmediatamente con su proveedor Tunturi. Relate la naturaleza del problema, las condiciones de uso, la fecha de compra, el modelo y el número de serie.

En el reverso de esta guía encontrará la lista de piezas. Utilice sólo piezas de repuesto mencionadas en la lista de piezas de repuesto.

## Transporte y almacenamiento

#### ⚠️ ADVERTENCIA

- Antes de la limpieza y el mantenimiento, retire el enchufe de red de la toma de pared.
  - Al menos dos personas deben transportar y mover la máquina.
  - Asegúrese de que no haya otras personas ni objetos debajo de la máquina.
- Mueva la máquina como se muestra (fig. F3). Mueva la máquina y bájela con cuidado. Coloque la máquina sobre una base protectora para evitar daños en la superficie del suelo. Mueva la máquina con cuidado sobre superficies irregulares. No suba la máquina por las escaleras usando las ruedas; transporte la máquina por los manillares.
- Almacene la máquina en posición vertical (fig. F1). Almacene la máquina en un lugar seco con la menor variación de temperatura posible.

#### Almacenamiento en posición vertical.

#### ⚠️ PRECAUCIÓN

- Tenga en cuenta que cuando se guarde la cinta de correr en posición vertical, solo tendrá suficiente estabilidad para soportar su propio peso.

Recomendamos guardar la cinta de correr en posición horizontal solo en un lugar en el que apenas haya tráfico o movimiento de personas. El mejor lugar sería junto a una pared o armario empotrado.

## Información adicional

#### Eliminación de embalajes

Las pautas gubernamentales exigen reducir la cantidad de residuos que se depositan en los basureros. Por este motivo, le rogamos que deseche los embalajes de manera responsable en centros públicos de reciclaje.

#### Eliminación al final de la vida útil

Desde Tunturi esperamos que disfrute de su equipo de entrenamiento durante muchos años. No obstante, llegará un momento en que éste llegue al final de su vida útil. Conforme a la Directiva WEEE (relativa a la gestión de residuos procedentes de equipos eléctricos y electrónicos) le corresponde a usted la responsabilidad de desechar adecuadamente su equipo de entrenamiento en un centro público autorizado de recogida.

## Datos técnicos

Parámetro	Unidad de medición	Valor
Tensión de red	VAC	210 ~ 240
Frecuencia de red	HZ	50 ~ 60
Velocidad	Km/H	1.0 ~ 12.0
Inclinación	Step	<input checked="" type="checkbox"/>
Longitud (plegada)	Cm	148.0 ( 155.0)
Anchura	Cm	73.0
Altura (plegada)	Cm	121.0 (16.0)
Peso	Kg	36.0
Receptor telemétrico de la frecuencia cardíaca.	Contacto manual 5.3~ 5.4 Khz. Bluetooth (BLE) ANT+	<input checked="" type="checkbox"/> <input checked="" type="checkbox"/> <input checked="" type="checkbox"/> <input checked="" type="checkbox"/>

## Declaración del fabricante

Tunturi New Fitness BV declara que el producto es conforme con las siguientes normas y directivas: EN 957 (HC), 2014/30/EU. Por tanto, el producto dispone de marcado CE.

04-2020

Tunturi New Fitness BV  
Purmerweg 1  
1311 XE Almere  
The Netherlands

## Descargo de responsabilidad

© 2020 Tunturi New Fitness BV  
Reservados todos los derechos.

- El producto y el manual están sujetos a cambios.
- Las especificaciones pueden cambiarse sin previo aviso.
- Consulte nuestra página web para descargar la versión del manual de usuario más reciente.



## På svenska

Denna handbok är en översättning av den engelska texten. Vi förbehåller oss rätten till eventuella översättningsfel. Den engelska originaltexten råder.

## Index

<b>Välkommen</b> .....	<b>57</b>
<b>Säkerhetsvarningar</b> .....	<b>57</b>
Elsäkerhet.....	57
<b>Monteringsanvisningar</b> .....	<b>58</b>
Beskrivning illustration A.....	58
Beskrivning illustration B.....	58
Beskrivning illustration C.....	58
Montering (fig. D).....	58
Träning.....	58
Övning Instruktioner.....	58
<b>Användning</b> .....	<b>59</b>
Fälla ihop och fälla upp utrustningen.....	59
<b>Panelen (fig. E-1)</b> .....	<b>60</b>
Display-knappar.....	60
Fjärrkontroll Knappar.....	60
Förklaring av displayobjekt (Fig. E-1).....	60
Förinställda program (P1~P3).....	61
Garanti.....	61
<b>Rengöring och underhåll</b> .....	<b>61</b>
Smörjning (fig. F-6).....	61
<b>Störningar Vid Användning</b> .....	<b>62</b>
<b>Transport och lagring</b> .....	<b>62</b>
Ytterligare information.....	62
<b>Teknisk information</b> .....	<b>63</b>
<b>Försäkran från tillverkaren</b> .....	<b>63</b>
<b>Friskrivning</b> .....	<b>63</b>

## Välkommen

Välkommen till Tunturi Fitness värld!

Tack för att du köpte denna utrustning från Tunturi. Tunturi erbjuder ett stort utbud av professionell träningsutrustning, exempelvis crosstrainers, löpband, träningscyklar, roddmaskiner, styrka bänkar och flera stationer. Utrustning från Tunturi passar hela familjen, oavsett träningsnivå. Mer information finns på vår webbplats, [www.tunturi.com](http://www.tunturi.com)

### Viktiga instruktioner om säkerhet

Läs noga igenom denna handbok innan du monterar,, använder eller reparerar ditt nya träningsredskap. Spara denna handbok; den innehåller information som du behöver nu och i framtiden för att använda och underhålla ditt redskap. Följ alltid dessa instruktioner noggrant.

## Säkerhetsvarningar

### ⚠ VARNING

- Läs säkerhetsvarningarna och instruktionerna. Om inte säkerhetsvarningarna och instruktionerna följs kan det medföra skador på personer eller utrustningen. Behåll säkerhetsvarningarna och instruktionerna för framtida bruk.

### ⚠ VARNING

- System för övervakning av hjärtfrekvensen är inte alltid exakta. Överträning kan medföra allvarlig skada eller död. Sluta omedelbart att träna om du känner dig svag.

- Utrustningen är endast anpassad för hemmabruk. Utrustningen är inte anpassad
- Maximal användning är begränsad till 2 timmar per dag.
- Om utrustningen används av barn eller personer med fysiska, sensoriska, mentala eller motoriska handikapp, eller som saknar erfarenhet och kunskap, kan detta medföra risker. Personer som är ansvariga för deras säkerhet måste ge tydliga instruktioner, eller övervaka användningen av utrustningen.
- Innan du påbörjar din träning, uppsök en läkare som kan kontrollera din hälsa.
- Om du upplever illamående, yrsel eller andra onormala symptom, avsluta genast din träning och kontakta en läkare.
- Börja varje träningspass med att värma upp och avsluta varje träningspass med nedvarning för att undvika muskelsmärter och sträckningar. Kom ihåg att stretcha i slutet av träningen.
- Utrustningen är endast anpassad för användning inomhus.
- Utrustningen är inte anpassad för användning utomhus.
- Använd endast utrustningen i miljöer med god ventilation. Använd inte utrustningen i dragiga miljöer för att undvika att bli förkyld.
- Använd endast utrustningen i miljöer med temperatur mellan 10 °C och 35 °C. Förvara endast utrustningen i miljöer med temperatur mellan 5 °C och 45 °C.
- Använd inte och förvara inte utrustningen i fuktig miljö. Luftfuktigheten får aldrig överstiga 80%.
- Använd endast utrustningen för dess avsedda ändamål. Använd inte utrustningen för andra ändamål än de som beskrivs i handboken.
- Använd inte den här utrustningen om någon del är trasig eller skadad. Om någon del är trasig eller skadad, kontakta din återförsäljare.
- Håll undan händer, fötter och andra kroppsdelar från de rörliga delarna.
- Håll undan håret från de rörliga delarna.
- Bär passande kläder och skor.
- Håll undan kläder, smycken och andra föremål från de rörliga delarna.
- Låt bara en person åt gången använda utrustningen. Utrustningen får inte användas av personer som väger mer än 100 kg (220 lbs).
- Öppna inte utrustningen utan att kontakta din återförsäljare.

### Elsäkerhet

(endast elektrisk utrustning)

- Före användning, kontrollera alltid att nätspänningen är densamma som spänningen på utrustningens märkplåt.
- Använd inte en förlängningssladd.
- Håll strömkabeln borta från värme, olja och vassa kanter.
- Ändra inte strömkabeln eller kontakten.
- Använd inte utrustningen om strömkabeln eller kontakten är trasig eller skadad. Om strömkabeln eller kontakten är trasig eller skadad, kontakta din återförsäljare.

- Rulla alltid ut strömkabeln helt.
- Dra inte strömkabeln under utrustningen. Dra inte strömkabeln under en matta. Placera inte några föremål på strömkabeln.
- Kontrollera att strömkabeln inte hänger över en bordskant. Kontrollera att strömkabeln inte kan komma åt avsiktigen eller snubblas över.
- Lämna inte utrustningen obevakad med kontakten instoppad i vägguttaget.
- Dra inte i strömkabeln för att avlägsna kontakten från vägguttaget.
- Avlägsna stickkontakten från vägguttaget när utrustningen inte används, innan den monteras eller monteras isär och innan den rengörs eller underhålls.

#### ⚠ VARNING

- Om strömspänningen fluktuerar med 10 procent (10%) eller mer, kan detta ha en negativ inverkan på löparbandets funktion. Om löparbandet används under sådana förhållanden upphör garantin att gälla. Om du misstänker att spänningen är för lång, kontakta din elleverantör eller en behörig elektriker för att utföra en kontroll.

#### ⚠ VARNING

- Lägg sladden för strömanslutningen så att den inte kankomma i kontakt med löparbandets rörliga delar inklusive liftmekanismen och transporthjulen.

#### Jordningsföreskrifter

Den här produkten ska kopplas till ett jordat uttag. Om ett fel skulle uppstå i löparbandets elsystem skyddar jordningen mot elektrisk chock. Den här produkten levereras med en jordad sladd och stickpropp. Stickproppen ska anslutas till ett enligt korrekt jordat uttag som installerats enligt gällande regler och föreskrifter.

#### ⚠ VARNING

- Fel i apparatens jordanslutningen innebär en ökad risk för elektrisk chock. Om du är osäker på anslutningen bör du kontakta en elektriker eller servicemontör för att kontrollera att apparaten är ordentligt jordad. Försök inte sätta i en stickpropp som inte passar i uttaget, anlita en elektriker för installation av passande vägguttag.

## Monteringsanvisningar

### Beskrivning illustration A

På illustrationen kan du se hur träningsredskapet ska se ut efter att monteringen har slutförts.

Du kan använda illustrationen som referens under monteringen, men följ alltid stegen i monteringsinstruktionerna i rätt ordning.

### Beskrivning illustration B

På illustrationen kan du se vilka komponenter och delar som du ska hitta när du packar upp produkten.

#### ⚠ OBS!

- Små delar kan ligga gömda/vara nedpackade i ihåliga utrymmen i produktskyddet av polystyren.
- Om någon del saknas, kontakta din återförsäljare.

### Beskrivning illustration C

På illustrationen visas de monteringsdelar som följer med produkten.

## Montering (fig. D)

Produkten levereras färdigmonterad i kartongen.

Produkten levereras hopfäld i kartongen.

#### ⚠ OBS

- För information om hur löpbandet fälls upp se avsnittet "Fälla ihop och fälla upp utrustningen" i denna handbok.

#### ⚠ VARNING

- Var två om att bära och förflytta utrustningen.

#### ⚠ OBS.

- Placera utrustningen på en stabil och jämn yta.
- Placera utrustningen på en skyddande grund för att förhindra att golvet skadas.
- Lämna åtminstone 100 cm fritt runt utrustningen.

## Träning

Träningen måste vara lagom lätt, men hålla på länge. Aerobisk träning är till för att förbättra kroppens maximala syreupptag, vilket förbättrar uthålligheten och konditionen. Du ska svettas, men du ska inte bli andfådd under träningen. För att uppnå och behålla en grundkondition, träna åtminstone tre gånger i veckan, 30 minuter åt gången. Öka antalet träningspass för att förbättra din kondition. Det är bra att kombinera regelbunden träning med hälsosam kost. En person som har bestämt sig för att banta bör träna dagligen, 30 minuter eller mindre till en början och sedan öka den dagliga träningstiden till en timme. Börja din träning i låg hastighet och med lågt motstånd för att förhindra att hjärtkärlsystemet utsätts för kraftig belastning. När konditionen förbättras, kan hastigheten och motståndet ökas gradvis. Din tränings effektivitet kan mätas genom att kontrollera din hjärtfrekvens och din puls.

## Övning Instruktioner

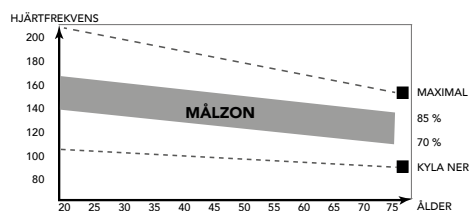
Användningen av ditt träningsredskap kommer att ge dig många fördelar; det kommer att förbättra din fysiska kondition, tona musklerna och tillsammans med en kalorikontrollerad diet hjälpa dig att gå ned i vikt.

### Uppvärmningsfasen

Denna fas får blodet att börja pumpa runt i kroppen och förbereder musklerna på aktivitet. Den minskar även risken för kramp och muskelskada. Det är tillrådligt att göra några stretchövningar som visas nedan. Varje stretchövning ska hållas i ungefär 30 sekunder. Tvinga eller tryck inte in musklerna i en stretchövning. Om det gör ont, SLUTA

### Träningsfasen

Detta är fasen där du jobbar. Efter regelbunden användning, kommer musklerna i dina ben att bli mer flexibla. I denna fas är det mycket viktigt att bibehålla ett jämnt tempo från början till slut. Ansträngningsnivån ska vara tillräcklig för att höja din puls till målzonen som visas i nedanstående figur



Denna fas bör pågå i minst 12 minuter, även om de flesta börjar med ungefär 15-20 minuter.

## Nedvarningsfasen

Under denna fas får ditt kardiovaskulära system och dina muskler varva ned.

Den är en upprepning av uppvärmningsövningen, t.ex. minska ditt tempo, fortsätt i ca 5 minuter. Stretchövningarna ska nu upprepas. Kom ihåg att inte tvinga eller trycka in musklerna i stretchövningen. När du blir mer vältränad, kan du träna längre och hårdare. Vi rekommenderar att träna minst tre gånger i veckan, och, om möjligt, fördela dina träningsstillfällen jämnt under hela veckan.

## Muskeltoning

För att tona musklerna när du använder träningsredskapet, måste du ställa in en ganska hög belastning. Detta belastar benmusklerna mer och kan innebära att du inte kan träna så länge som du vill. Om du även försöker förbättra din kondition, måste du ändra ditt träningsprogram. Du bör träna som vanligt under uppvärmnings- och nedvarningsfaserna, men mot slutet av träningsfasen kan du öka belastningen så att dina ben får jobba hårdare. Du måste minska hastigheten för att hålla pulsen i målzonen.

## Viktminskning

Den viktigaste faktorn här är hur mycket du anstränger dig. Ju hårdare och längre du tränar, desto fler kalorier bränner du. Detta är i princip detsamma som om du tränade för att förbättra din kondition, skillnaden är målet.

## Användning

### Huvudströmbrytare (fig. E-2A)

Utrustningen är utrustad med en huvudströmbrytare för att helt stänga av utrustningen.

### Starta utrustningen:

- Anslut stickkontakten till utrustningen.
- Anslut stickkontakten till vägguttaget.
- Sätt huvudströmbrytaren i läge "på" (ON).

### Stoppa utrustningen:

- Sätt huvudströmbrytaren i läge "av" (OFF).
- Avlägsna stickkontakten från vägguttaget.
- Avlägsna stickkontakten från utrustningen.

### Säkerhetsnyckel (Fig F-4)

Utrustningen är utrustad med en säkerhetsnyckel som måste sättas i korrekt i spåret ovanpå räcket för att starta utrustningen. Om säkerhetsnyckeln tas bort från spåret stannar utrustningen omedelbart.

- Sätt i säkerhetsnyckeln i spåret ovanpå räcket.
- Kontrollera att säkerhetsnyckelns klämma sitter fast ordentligt i dina kläder.
- Kontrollera att säkerhetsnyckelns inte avlägsnas från dina kläder innan säkerhetsnyckeln avlägsnas ur panelen.

### ⚠ ANMÄRKNING

- Konsolen visar E7 när säkerhetsnyckeln inte är på plats under start.

### Brytare (fig. F-2B)

Utrustningen är utrustad med en brytare som bryter strömmen när den elektriska belastningen överstiger den maximala kapaciteten. När detta inträffar måste brytaren tryckas in.

### ⚠ VARNING

- Innan du trycker på brytaren, avlägsna stickkontakten från utrustningen.

Om utrustningen stängs av, gör följande för att starta om utrustningen:

- Avlägsna stickkontakten från utrustningen.
- Tryck på brytaren för att starta om utrustningen.
- Anslut stickkontakten till utrustningen.

### ⚠ ANMÄRKNING

- Vissa kretsbytare som används i hushåll är inte lämpade för höga spänningstoppar, vilka kan förekomma när man slår på löparbandet och även vid normal användning. Om löparband gör att säkringen går hemma hos dig (trots att rätt spänning används och löparbandet är den enda apparaten i gruppen) och löparbandets säkring inte bryter, måste du byta ut säkringen till en typ som klarar större spänningstoppar. Detta är inte en defekt som täcks av garantin. Detta är ett förhållande som tillverkaren inte kan råda över.

## Fälla ihop och fälla upp utrustningen.

### ⚠ OBS

- Se till att fjärrkontrollen tas ur sin hållare innan du fäller ihop eller fäller upp utrustningen, för att undvika att den trillar ut.
- Båda klämspakarna (#8) kan dras ut och flyttas fritt utan att dra åt eller lossa fastsättningen.  
Lossa klämspakarna (#8) och vrid för att justera fastsättningen.

### Fälla upp utrustningen (fig. F1)

#### – När den är i vertikal förvaringsposition

- Medan du stöder löpbandets ram, lossa fästvredet (#43) på stabiliseringsramens (#42) högra sida genom att vrida den moturs.
- Luta huvudramen något framåt och fäll in stabiliseringsramen.
- Medan du stöder löpbandets ram, dra fast fästvredet (#43) på stabiliseringsramens (#42) högra sida genom att vrida den medurs.
- Sänk ned det upprättstående löpbandet i horisontellt läge.

#### – När den är i horisontell förvaringsposition

- Vrid båda klämspakarna (#8) moturs för att lossa fästet på räcket.
- Luta räcket till upprätt läge. (något framåtvinklat)
- Vrid båda klämspakarna (#8) medurs för att låsa fästet.
- Enheten är nu klar för användning.

Se illustrationerna för rätt sätt att fälla upp utrustningen.

### Fälla ihop utrustningen (fig. F2)

#### – När den är i läget för användning

- Vrid båda klämspakarna (#8) moturs för att lossa fästet.
- Styr räcket till horisontellt läge nedåt.
- Vrid båda klämspakarna (#8) medurs för att låsa fästet för räcket.
- Löpbandet är nu i läget för horisontell förvaring.

#### – När den är i horisontell förvaringsposition

- Luta löpbandets ram i upprätt läge genom att lyfta den i huvudramen (lyft inte löpbandet genom att hålla i räcket).
- Medan du stöder löpbandets ram, lossa fästvredet (#43) på stabiliseringsramens (#42) högra sida genom att vrida den moturs.
- Luta huvudramen något framåt och fäll ut stabiliseringsramen.
- Medan du stöder löpbandets ram, dra fast fästvredet (#43) på stabiliseringsramens (#42) högra sida genom att vrida den medurs.
- Löpbandet är nu i läget för vertikal förvaring.

Se illustrationerna för rätt sätt att fälla ihop utrustningen.

## Panelen (fig. E-1)



### ⚠ OBS

- Skydda panelen från direkt solljus.
- Torka av panelens yta när den är täckt av svettdroppar.
- Luta dig inte mot panelen.
- Vidrör endast displayen med din fingertopp. Var noga med att inte dina naglar eller vassa föremål vidrör displayen.

### 🔊 ANMÄRKNING

- Panelen övergår till viloläge när utrustningen inte har använts på 10 minuter.

## Display-knappar

### Start/Stop

- Tryck på "Start/Stop"-knappen för att starta vald träning när löpbandet är i stoppläge. Efter 3 sekunders nedräkning börjar träningen med 1,0 km/h.
- Tryck på "Start/Stop"-knappen för att gradvis stoppa löpbandet när det är i träningsläge.

### Läge

- Bläddra mellan parametrarna för målinställning i programmeringsläget. Välj mellan: tidsmål, distansmål eller kalorimål.

### Up

- Ökar hastigheten (1,0 ~ 12,0 km/h).
- Tryck en gång ökar hastigheten med 0,1 km/h.
- Tryck och håll intryckt under två sekunder för att snabbare öka hastigheten.
- Ändra värden i målprogrammeringsläge.

### Down

- Sänker hastigheten (1,0 ~ 12,0 km/h).
- Tryck en gång minskar hastigheten med 0,1 km/h.
- Tryck och håll intryckt under två sekunder för att snabbare sänka hastigheten.
- Ändra värden i målprogrammeringsläge.

## Fjärrkontroll Knappar

### Stop

- Tryck på "Stop"-knappen för att stoppa löpbandet gradvis när det är i träningsläge.

### Start

- Tryck på "Start"-knappen för att starta vald träning när löpbandet är i stoppläge. Efter 3 sekunders nedräkning börjar träningen med 1,0 km/h.

### + (plus)

- Öka värdet när du är i målprogrammeringsläge.

### - (min.)

- Minska värdet när du är i målprogrammeringsläge.

### Speed +

- Öka värdet när du är i målprogrammeringsläge.
- Öka träningens hastighet när du är i träningsläge.

### Speed -

- Minska värdet när du är i målprogrammeringsläge.
- Sänk träningens hastighet när du är i träningsläge.

### M (Läge)

Tryck på M-knappen i programmeringsläge:

- 1 gång: Öppnar läget för tidsmål. (30 blinkar i display)
- 2 gånger: Öppnar läget för distansmål (D och 1.0 blinkar i display)
- 3 gånger: Öppnar läget för kalorimål (50 blinkar i display)

### P (Program)

Tryck på P-knappen i programmeringsläge:

- 1 gång: Väljer program P1 (P1 och 10 visas i display)
- 2 gånger: Väljer program P2 (P2 och 20 visas i display)
- 3 gånger: Väljer program P3 (P3 och 30 visas i display)

### 🔊 OBS

- Fjärrkontrollen kan bara fungera korrekt om utrymmet mellan fjärrkontrollens sändare och mottagaren i huvudramens display inte är blockerat av något objekt.
- Fjärrkontrollen måste utrustas med 2 AAA-batterier för att fungera.
- Byt ut batterierna när fjärrkontrollen inte längre svarar.

## Förklaring av displayobjekt (Fig. E-1)

### Speed

- Visar löpbandets faktiska hastighet i träningsläge.
- Displayområde: 1,0 ~ 12,0 ± 0,1 km/h

### Distance

- Visar löpsträcka i träningsläge.
- Inställningsområde: 0,0 ~ 99,9 km.
- Displayområde: 0,0 ~ 99,9 km.

### Time

- Visar löptid i träningsläge.
- Inställningsområde: 5 ~ 99 minuter
- Displayområde: 0 ~ 59 sek. / 1 ~ 99 minuter

### Calories

- Visar förbrukade kalorier i träningsläge.
- Inställningsområde: 10 ~ 300 kalorier
- Displayområde: 0 ~ 999 kalorier

### P1, P2, P3, D, ⏻

- P1, P2, P3: Indikerar det valda programmet.
- D: Indikerar att distans är valt som målläge. D visas när distansparametern visas i träningsläge.
- ⏻: Indikerar att löpbandet är i stoppläge.

### 🔊 OBS

- Denna data är en grov vägledning för jämförelse av olika träningspass och kan inte användas vid medicinsk behandling.

### 🔊 OBS

- Visning av kalorier/distans skannar var 5:e sekund.

## Förinställda program (P1~P3)

Utrustningen har 3 förinställda program med olika profiler. (Tabell, fig. G.)

- Tryck på "P"-knapparna för att välja "P1~P3"

### Program P1.

Program P1 är en fast hastighetsintervallprofil med en fast varaktighet på 10 minuter.

### Program P2.

Program P2 är en fast hastighetsintervallprofil med en fast varaktighet på 20 minuter.

### Program P3.

Program P3 är en fast hastighetsintervallprofil med en fast varaktighet på 30 minuter.

## Garanti

### Tunturis ågargarantitit

#### Garantivillkor

Konsumenten har rätt att tillämpa de nationellt lagstadgade rättigheterna gällande konsumentvaror och denna garanti begränsar inte dessa rättigheter.

Ågargarantin är giltig endast om Tunturis träningsredskap används i de miljöer som tillåts enligt Tunturi. Vilka miljöer som är tillåtna står i träningsredskapets bruksanvisning.

#### Garantivillkor

Garantivillkoren börjar att gälla från inköpsdatumet. Garantivillkoren kan variera mellan olika länder. Kontakta en lokal återförsäljare om garantivillkoren.

#### Garantins omfattning

Oavsett omständigheter, ansvarar inte Tunturi New Fitness BV eller Tunturis återförsäljare för uppkomna personskador som påverkar köparen, och som innebär inkomstförlust eller andra ekonomiska följdverkningar.

#### Gegränsningar i garantin

Garantin gäller för arbets- och materialfel, förutsatt att redskapet är i originalmonterat skick. Garantin gäller endast fel som uppstår vid normalt bruk och då den använts enligt Tunturis instruktioner gällande montering, skötsel och användning. Tunturi New Fitness BV och Tunturis återförsäljare ansvarar ej för fel som uppkommer utanför deras kontroll.

Garantin gäller endast redskapets ursprungliga ägare och är gällande endast i de länder där det finns en godkänd Tunturi New Fitness BV återförsäljare.

Garantin gäller ej för redskap eller delar som har ändrats utan Tunturi New Fitness BV:s godkännande. Garantin gäller ej för fel som beror på normalt slitage, felaktig användning, användning i förhållanden som inte är avsett för redskapet, korrosion eller lastnings- och transportskador.

Garantin täcker inte ljud som uppstår under användning såvida dessa inte väsentligt hindrar utrustningens användning eller har orsakas av ett fel i utrustningen.

Garantin gäller inte för underhållsarbete, som rengöring, smörjning eller normal kontroll av komponenterna och inte heller för monteringsarbete som kunden själv kan göra och som inte kräver att redskapet plockas isär/sätts ihop. Det gäller till exempel byte av mätare, trampor eller andra motsvarande enkla delar. Garantireparationer utförda av andra än en godkänd Tunturi-representant, ersätts inte. Ifall instruktionerna i manualen inte följs upphävs produktens garanti.

## Rengöring och underhåll

### ⚠ VARNING

- Innan rengöring och underhåll, avlägsna stickkontakten från vägguttaget.
- Använd inte lösningsmedel för att rengöra utrustningen.

- Blockera inte ventilationsöppningarna. Håll ventilationsöppningarna rena från damm, smuts och andra hinder.
- Rengör utrustningen med en mjuk och absorberande trasa efter varje användning.
- Rengör synliga delar av utrustningen med en dammsugare med ett litet sugmunstycke.
- Kontrollera regelbundet att alla skruvar och muttrar är åtdragna.

### Bandet och löpunderlaget

Ditt löparband har ett högeffektivt lågfriktionsband. Bästa prestanda erhålls när löpunderlaget hålls ren. Använd en mjuk, ren och fuktad trasa eller hushållspapper för att torka av bandets kanter området mellan bandets kanter och ramen. Försök att nå så långt det går under bandets kanter. Rengör bandet så här en gång i månaden så kommer ytan på bandet att hållas i optimalt skick. Använd enbart vatten - inga rengöringsmedel får användas. Använd ett mildt rengöringsmedel och vatten och en nylonborste för att rengöra det texturerade bandet. Låt bandet torka innan du använder det igen.

### Smörjning (fig. F-6)

Löpattan måste smörjas en gång varannan månad, baserat på en genomsnittlig användning som uppgår till 60 minuter per dag. Löpbandets löpband är försmörjt innan det monteras på löpbandet under tillverkningen av enheten. Man behöver därför inte smörja löpbandet när det tas i bruk för första gången.

### ⚠ VARNING

- Innan smörjning, avlägsna stickkontakten från vägguttaget.

### ⚠ OBS.

- Vi rekommenderar att du kontrollerar löpbandets smörjning minst en gång i månaden, eftersom fler faktorer än tiden kan vara relevanta för smörjmedelsförhållandena.
- Smörj bara löpattan vid behov. Om du använder för mycket smörjmedel, kommer löpattan att slira på grund av för lite friktion.

- Stå stabilt på löpattan.
- Håll i det främre handtaget och använd dina fötter för att trycka löpattan så att den glider fram och tillbaka. Löpattan måste röra sig jämnt och ljudlöst.
- Om löpattan inte rör sig jämnt, eller om det inte rör sig alls, vidrör undersidan av löpattan med dina fingertoppar och undersök smörjningen:
  - Om du känner smörjmedel eller om dina fingertoppar är blanka finns det tillräckligt med smörjmedel på löpattan.
  - Om du inte känner något smörjmedel, eller om dina fingertoppar är dammiga, applicera smörjmedel (15-20 ml) i mitten av löpbrädan under löpattan och låt utrustningen vara igång i 5 km/h under minst fem minuter.
  - Efter smörjning, fäll inte ihop utrustningen innan du har tränat i minst 20 minuter i en hastighet på minst 5 km/h. Smörjmedlet sprids ut jämnt över löpattan.

**Banddamm**

Detta uppstår i början och är normalt under inkörningsperioden. Torka bort synligt damm med en fuktig trasa

**Allmän rengöring**

Smuts, damm och hår från husdjur kan med tiden blockera ventilationsöppningarna på löparbandet. Månatlig rengöring: dammsug under löparbandet. Ta av den svarta bakre höljet två gånger om året och dammsug invändigt.

KOPPLA ALLTID UR STICKPROPPEN INNAN DU GÖR NÅGOT AV DETTA.

**Justera bältet**

Denna justering görs genom att den bakre rullen. Ställskruvarna är placerade vid ändarna av ändkåporna.

- Spänn de bakre bandrullemuttrarna (medurs) bara så att bandet inte slirar på frontrullen. Vrid båda spännbultar lika mycket i steg om 1/4 varv åt gången och testa spänningen genom att gå på bandet vid en mycket låg hastighet för att kontrollera att bandet inte slirar på rullarna. Fortsätt justera tills bandet inte slirar längre.
- Om bandet är tillräckligt spänt men fortfarande slirar kan detta bero på en löst motorrem under fronthöljet..
- Spänn inte för hårt: Om du spänner bandet för hårt kan det ta skada både bandet och lagren.

**Justera bandspårningen**

öparbandets prestanda är beroende på den yta som ramen står på. Om golvet inte är plant kan rullarna fram och bak inte löpa parallellt och ständig justering kan behövas.

Löparbandet har designats för att hålla bandet i mitten under användningen. Det är normalt att ett band kan dras åt ena sidan när det inte belastas. Efter några minuters användning ska bandet dock dras mot mitten igen. Om bandet istället fortsätter att dra åt ena hållet under användningen måste det justeras.

**UNDANTAG:**

Vid rehabilitering och användaren har större styrka i det ena benet, då kan det hända att bandet dras åt ena sidan. Under sådana omständigheter ska du inte justera då bandet återställer sig vid jämn belastning.

**Ställa in bandspårning: (fig. F-5)**

En 6 mm insexnyckel medföljer för justering av den bakre rullen. Justera bandspårningen enbart från vänster sida. Ställ in hastigheten på ca. 3 - 5 km/tim.

Tänk på att en liten justering kan ha stor effekt.

Vrid bult på vänster sida medurs för att föra bältet åt höger. Vrid moturs för att föra det åt vänster. Vrid bara ett kvarts slag och vänta i några minuter så att bandet kan justera sig själv. Fortsätt med ytterligare ett kvarts slag tills bandet har centerats på mitten på banan.

Regelbunden justering av bandspårningen kan krävas beroende på användning och kraftfördelning under träningen. Olika användare kan påverka spårningen olika. Det är normalt att behöva justera bandspårningen då och då. Efter ett tag krävs mindre justering. Rätt bandspårning är ägarens ansvar och är en normal justering som behövs göras regelbundet på alla löparband.

**⚠ ANMÄRKNING**

- Skada som uppstått till följd av fel bandspårning / spänning, täcks inte av garantin.

**Störningar Vid Användning**

Trots kontinuerlig kvalitetskontroll kan fel eller funktionsstörningar som beror på någon enskild komponent förekomma. Därför är det onödigt att hela redskapet skickas på reparation, eftersom det för det mesta räcker med att aktuell komponent byts.

Kontakta genast din försäljare om du upptäcker fel eller brister när du använder ditt redskap eller om du behöver reservdelar. Uppge alltid redskapets modell och serienummer. Beskriv problemet, hur redskapet använts, och uppge inköpsdagen.

Behöver du reservdelar, uppge också numret på reservdelar; du hittar en lista på reservdelar i slutet på den här handboken. Till apparaten är endast delar från reservdelslistan användas.

**Transport och lagring****⚠ VARNING**

- Innan rengöring och underhåll, avlägsna stickkontakten från vägguttaget.
- Var två om att bära och förflytta utrustningen.
- Kontrollera att det inte finns några andra personer eller föremål under utrustningen.

- Förflytta utrustningen som på bilden (fig. F3). Förflytta utrustningen och sätt ner den försiktigt. Placera utrustningen på en skyddande grund för att förhindra att golvet skadas. Förflytta utrustningen till övervåningen med hjulen, utan bär utrustningen med handtagen.
- Förvara utrustningen upprätt (fig. F1). Förvara utrustningen på en torr plats med så liten temperaturvariation som möjligt.

**Förvaring i vertikalt läge.****⚠ VARNING**

- Observera att vid förvaring av löpbandet i vertikalt läge är det bara tillräckligt stabilt för att stödja sin egen vikt.

Vi rekommenderar endast förvaring av löpbandet i horisontellt läge på en plats där det sällan är någon mänsklig trafik eller rörelse. Bästa platsen är vid en vägg eller garderob.

**Ytterligare information****Bortskaffande av förpackning**

Riktlinjer från myndigheter uppmanar att vi minskar mängden avfall som placeras i deponier. Vi ber dig därför att bortskaffa allt förpackningsavfall på ett ansvarsfullt sätt på allmänna återvinningscentraler.

**Bortskaffande av uttjänt redskap**

Vi på Tunturi hoppas att du får många års trevlig användning av ditt träningsredskap. Men det kommer en tid när ditt träningsredskap är uttjänt. Enligt den europeiska WEEE-lagstiftningen, ansvarar du för korrekt bortskaffande av ditt träningsredskap på en allmän återvinningsanläggning.

## Teknisk information

Parameter	Måttenhet	Värde
Nätspänning	VAC	210 ~ 240
Nätfrekvens	HZ	50 ~ 60
Hastighet	Km/H	1.0 ~ 12.0
Lutning	Step	<input checked="" type="checkbox"/>
Längd (ihopvikt)	Cm	148.0 ( 155.0)
Bredd	Cm	73.0
Höjd (ihopvikt)	Cm	121.0 (16.0)
Vikt	Kg	36.0
Telemetrisk hjärt frekvens- mottagare.	hand-kontakt 5.3~ 5.4 Khz. Bluetooth (BLE) ANT+	<input checked="" type="checkbox"/> <input checked="" type="checkbox"/> <input checked="" type="checkbox"/> <input checked="" type="checkbox"/>

## Försäkran från tillverkaren

Tunturi New Fitness BV försäkrar att produkten uppfyller följande standarder och direktiv:  
EN 957 (HC), 2014/30/EU. Produkten är därför CE-märkt.

04-2020

Tunturi New Fitness BV  
Purmerweg 1  
1311 XE Almere  
Nederländerna

## Friskrivning

© 2020 Tunturi New Fitness BV  
Alla rättigheter förbehållna.

- Produkten och handboken kan komma att ändras.
- Specifikationer kan ändras utan förvarning.
- På vår webbplats finns den senaste bruksanvisningen.

**Suomeksi**

Tämä suomennettu käyttöohje on käännetty Englannin kielestä. Pidätämme oikeudet mahdollisiin käännösvirheisiin. Käännös tehty virallisen, englanninkielisen version pohjalta.

**Sisältö**

<b>Tervetuloa</b> .....	<b>64</b>
<b>Turvallisuusvaroitukset</b> .....	<b>64</b>
Sähköturvallisuus.....	64
<b>Kokoamisohjeet</b> .....	<b>65</b>
Kuvan A kuvaus .....	65
Kuvan B kuvaus .....	65
Kuvan C kuvaus.....	65
Asennus (kuva D).....	65
Harjoitukset .....	65
Ohjeita harjoittelua varten .....	65
Käyttö .....	66
Laitteen taittaminen kokoon ja auki. ....	66
<b>Ohjauspaneeli (kuva E-1)</b> .....	<b>67</b>
Näytön painikkeet .....	67
Kaukosäätimen painikkeet .....	67
Näytön kohtien selitykset (kuva E-1) .....	67
Valmisohjelmat (P1~P3).....	68
Takuu .....	68
<b>Puhdistus ja huolto</b> .....	<b>68</b>
Voitelu (kuva F-6).....	68
<b>Käyttöhäiriöt</b> .....	<b>69</b>
<b>Kuljetus ja säilytys</b> .....	<b>69</b>
Lisätietoa laitteen omistajalle.....	69
<b>Tekniset tiedot</b> .....	<b>70</b>
<b>Valmistajan vakuutus</b> .....	<b>70</b>
<b>Vastuuvapauslauseke</b> .....	<b>70</b>

**Tervetuloa**

Tervetuloa Tunturi Fitness -maailmaan!

Kiitämme sinua tämän Tunturi-laitteen ostosta. Tunturi tarjoaa laajan valikoiman ammattimaisia kuntoilulaitteita, mukaan lukien crosstrainerit, juoksumatot, kuntopyörät, soutulaitteet, voimapenkit ja moniasemat.

Tunturi-laite sopii koko perheelle kuntotasosta riippumatta. Katso lisätiedot verkkosivuiltamme [www.tunturi.com](http://www.tunturi.com)

**Tärkeitä turvallisuusohjeita**

Tämä opas on olennainen osa kuntolaitettasi. Perehdy ohjeisiin huolellisesti ennen kuin asennat, käytät tai huollat kuntolaitettasi. Sinun tulee ehdottomasti säilyttää tämä opas, sillä jatkossa se opastaa Sinua niin kuntolaitteesi tehokkaaseen käyttöön kuin huoltoonkin. Muista aina noudattaa tämän oppaan ohjeita.

**Turvallisuusvaroitukset****VAROITUS**

- Lue turvallisuusvaroitukset ja -ohjeet. Turvallisuusvaroitusten ja -ohjeiden jättäminen noudattamatta voi aiheuttaa henkilön loukkaantumisen tai laitevaurion. Säilytä turvallisuusvaroitukset ja -ohjeet myöhempää käyttöä varten.

**VAROITUS**

- Sykkeenvalvontajärjestelmät saattavat olla epätarkkoja. Liiallinen harjoittelu saattaa aiheuttaa vakavia vammoja tai kuoleman. Jos tunnet olosi heikoksi, lopeta harjoittelu heti.

- Laite on sopiva vain kotikäyttöön. Laite ei ole sopiva kaupalliseen käyttöön.
- Enimmäiskäyttö on rajoitettu 2 tuntiin päivässä
- Tämän laitteen käyttö lasten tai fyysisesti, aistillisesti, henkisesti, tai liikunnallisesti rajoittuneiden, tai kokemukseltaan ja tiedoiltaan puutteellisten henkilöiden toimesta voi aiheuttaa vaaratilanteita. Heidän turvallisuudestaan vastuussa olevien henkilöiden on annettava selkeät ja tarkat ohjeet laitteen käytöstä ja valvottava laitteen käyttöä.
- Ennen harjoituksen aloittamista ota yhteys lääkäriin terveystarkastusta varten.
- Jos sinulla on pahoinvointia, huimausta, tai muita epätavallisia oireita, lopeta välittömästi harjoitus ja ota yhteys lääkäriin.
- Vältä lihaskipuja ja venähdyksiä aloittamalla jokainen harjoitus lämmittelyjaksolla ja pääätä jokainen harjoitus jäädyttelyjaksolla. Muista venytellä harjoittelun lopuksi.
- Laite on sopiva vain sisäkäyttöön. Laite ei ole sopiva ulkokäyttöön.
- Käytä laitetta riittävällä tuuletuksella varustetuissa tiloissa. Älä käytä laitetta vetoisissa tiloissa välttääksesi kylmettymisen.
- Käytä laitetta vain ympäristölämpötilassa 10 °C - 35 °C. Säilytä laitetta vain ympäristölämpötilassa 5 °C - 45 °C.
- Älä käytä tai säilytä laitetta kosteissa tiloissa. Ilmankosteus ei saa koskaan olla yli 80 %.
- Käytä laitetta vain sen aiottuun tarkoitukseen. Älä käytä laitetta muihin, kuin tässä käyttöoppaassa esitettyihin tarkoituksiin.
- Älä käytä laitetta, jos sen jokin osa on vaurioitunut tai viallinen. Jos osa on vaurioitunut tai viallinen, ota yhteys jälleenmyyjään.
- Pidä kätesi, jalkasi ja kehon muut osat pois liikkuvista osista.
- Pidä hiuksesi pois liikkuvista osista.
- Käytä asianmukaista vaatetusta ja kenkiä.
- Pidä vaatteet, korut ja muut esineet pois liikkuvista osista.
- Varmista, että vain yksi henkilö kerrallaan käyttää laitetta. Yli 100 kg (220 lbs) ainava henkilö ei saa käyttää laitetta.
- Älä avaa laitetta ilman yhteydenottoa jälleenmyyjääsi.

**Sähköturvallisuus**

(koskee vain sähköistä laitetta)

- Varmista aina ennen käyttöä, että sähkölähteen jännite on sama kuin laitekilvessä ilmoitettu laitteen nimellijännite.
- Älä käytä jatkojohtoa.
- Pidä virtajohto pois kuumasta, öljystä ja terävistä kulmista.
- Älä tee muutoksia virtajohtoon tai pistokkeeseen.
- Älä käytä laitetta, jos virtajohto tai virtajohdon pistoke on vaurioitunut tai viallinen. Jos virtajohto tai virtajohdon pistoke on vaurioitunut tai viallinen, ota yhteys jälleenmyyjääsi.
- Suorista aina virtajohto täysin.
- Älä vie virtajohtoa laitteen alitse. Älä laita virtajohtoa maton alle. Älä laita virtajohdon päälle mitään esineitä.
- Varmista, ettei virtajohto roiku pöydän kulman yli. Varmista, ettei virtajohtoon voi vahingossa tarttua kiinni tai kompastua.



- Älä jätä laitetta ilman valvontaa virtajohdon ollessa liitettynä pistorasiaan.
- Älä vedä pistoketta irti pistorasiasta virtajohdosta vetämällä.
- Irrota pistoke pistorasiasta, kun laite ei ole käytössä, ennen asennusta tai purkamista ja ennen puhdistusta sekä huoltoa.

#### ⚠ VAROITUS

- Jos virtalähteen jännitevaihtelu on 10 % tai enemmän, se voi vaikuttaa kielteisesti juoksumaton toimintaan. Sellaiset olosuhteet eivät kuulu takuun piiriin. Jos epäilet, että jännite on alhainen, ota yhteyttä energiayhtiöosi tai valtuutettuun sähkömieheen asian tarkistamiseksi.

#### ⚠ VAROITUS

- Sijoita verkkojohto riittävän etäälle juoksumaton liikkuvista osista, kaltevuusmekanismi ja siirtopyörät mukaan lukien.

### Maadoitusohjeet

Tämä laite on liitettävä maadoitettuun pistorasiaan. Jos juoksumaton sähköjärjestelmään sattuisi tulemaan häiriöitä tai vikaa, maadoitus vähentää sähköiskun vaaraa tarjoamalla sähkövirralle vähiten vastusta sisältävän polun. Juoksumaton verkkojohdossa on maadoitettu pistoke. Pistoke on liitettävä asianmukaiseen seinäpistorasiaan, joka on asennettu ja maadoitettu kaikkien paikallisten normien ja määräysten mukaisesti.

#### ⚠ VAROITUS

- Maatojohdon väärä liitäntä voi aiheuttaa sähköiskun vaaran. Jos et ole varma siitä, onko laite maadoitettu ohjeiden mukaisesti, tarkista asia pätevältä sähkömieheltä tai huoltoasentalta. Jos kuntolaitteen mukana toimitettu pistoke ei sovi pistorasiaan, älä yritä tehdä pistokkeeseen muutoksia. Ota yhteyttä valtuutettuun sähkömieheen ohjeiden mukaisen pistorasian asentamiseksi.

## Kokoamisohjeet

### Kuvan A kuvaus

Kuvassa on esitetty, miltä harjoituslaite näyttää, kun asennus on saatu valmiiksi.

Voit käyttää tätä viitteenä asennuksen aikana, mutta tee asennusvaiheet aina oikeassa järjestyksessä kuvien mukaisesti.

### Kuvan B kuvaus

Kuvassa on esitetty, mitä komponentteja ja osia sinun tulisi löytää poistaessasi tuotteen pakkauksesta.

#### ⚠ HUOMAUTUS!!

- Pienet osat voivat olla piilossa / pakattuina Styrofoam-tuotesuojan koloihin.
- Jos osa puuttuu, ota yhteys jälleenmyyjään.

### Kuvan C kuvaus

Kuvassa on esitetty tuotteesi mukana tuleva välinepaketti.

### Asennus (kuva D)

Tuote toimitetaan laatikossa täysin koottuna.

Tuote toimitetaan laatikossa kokoon taitettuna.

#### ⚠ HUOM.

- Löydät ohjeet juoksumaton taittamiseen auki tämän käyttöoppaan kohdasta "Laitteen taittaminen kokoon ja auki".

#### ⚠ VAROITUS

- Vähintään kahden henkilön on kannettava ja siirrettävä laitetta.

#### ⚠ HUOMAUTUS

- Sijoita laite kovalle, tasaiselle alustalle.
- Asettakaa laite suojalustalle lattiapinnan vaurioiden estämiseksi.
- Varaa vähintään 100 cm tilaa laitteen ympärille.

## Harjoitukset

Harjoituksen on oltava sopivan kevyt, mutta pitkäkestoinen. Aerobic-harjoitus perustuu kehon maksimi hapenottokyvyn parantamiseen, mikä puolestaan parantaa kestävyyttä ja kuntotasoa. Harjoituksen aikana sinun tulisi hikoilla, mutta sinun ei tulisi hengästyä. Harjoittele vähintään kolme kertaa viikossa 30 minuuttia peruskuntotason saavuttamiseksi ja ylläpitämiseksi. Paranna kuntotasosi lisäämällä harjoituskertojen määrää. On hyödyllistä yhdistää säännöllinen harjoitus terveelliseen dieettiin. Dieettiin sitoutuneen henkilön tulisi harjoitella päivittäin, ensi alkuun korkeintaan 30 minuuttia ja vähitellen lisäten päivittäinen harjoitus aika yhteen tuntiin. Aloita harjoituksesi hitaalla nopeudella ja pienellä vastuksella estääksesi liiallisen rasituksen sydän-verisuonijärjestelmään. Nopeutta ja vastusta voidaan vähitellen lisätä kuntotason parantuessa. Harjoituksesi tehokkuus voidaan mitata seuraamalla sydämesi lyöntinopeutta ja pulssisi nopeutta. Lisää nopeutta ja vastusta vähitellen oman kuntosi mukaan. Pidä pää pystyssä ja kaula suorana välttääksesi stressiä kaulassa, hartioissa ja selässä. Pidä selkäsi suorana. Varmista, että jalkasi ovat keskellä polkimia ja että lantio, polvet, nilkat ja varpaat ovat suoraan eteenpäin. Pidä painosi alaruumiin yläpuolella, huolimatta siitä, nojaatko eteenpäin vai seisotko suorana. Lopeta harjoitusjaksosi vähentämällä nopeutta ja vastusta vähitellen. Muista venytellä harjoittelun lopuksi.

## Ohjeita harjoittelua varten

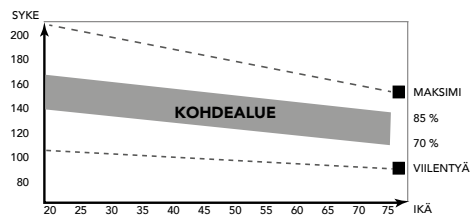
Kuntolaitteen käyttö tarjoaa monia etuja: se parantaa fyysistä kuntoa, kiinteyttää lihaksia ja hallittuun ruokavalion yhdistettynä se auttaa myös pudottamaan painoa.

### Lämmittelyvaihe

Tämän vaiheen tarkoituksena on saada veri virtaamaan nopeammin ympäri kehoa ja panna lihakset tekemään työtä. Lämmittely vähentää myös kramppien ja lihavammojen riskiä. Suosittelen, että teet muutaman venyttelyharjoituksen alla olevan kuvan mukaisesti. Jokaisen venytyksen tulisi kestää noin 30 sekuntia. Älä tee venytyksiä väkisin tai nykäisten - jos tunnet kipua, LOPETA.

### Harjoitteluvaihe

Tämä on se vaihe, jossa ponnistelet. Säännöllisen harjoittelun tuloksena jalkojesi lihakset tulevat joustavammiksi. Tässä vaiheessa on hyvin tärkeää ylläpitää tasaista nopeutta koko ajan. Rasituksen tulisi olla riittävän suuri, jotta sykkeesi nousee tavoitealueelle alla olevan kaavion mukaisesti



Tämän vaiheen tulisi kestää vähintään 12 minuuttia, mutta useimmilla aloittelijoilla se on noin 15-20 minuuttia.

## Jäähdyttelyvaihe

Tämän vaiheen tarkoituksena on antaa verenkiertojärjestelmäsi ja lihaksiesi palautua. Jäähdyttelyssä toistetaan lämmittelyvaiheen harjoitukset vähentämällä ensin nopeutta ja jatkamalla tällä nopeudella noin 5 minuuttia. Toista sitten venyttelyharjoitukset pitäen mielessä, että venytyksiä ei saa tehdä väkisin tai nykäisten. Kun kuntosi nousee, voit tarvita pidempiä ja raskaampia harjoituksia. On suositeltavaa treenata vähintään kolme kertaa viikossa, ja harjoittelut olisi hyvä jakaa tasaisesti viikon varrelle.

## Lihasten kiinteytys

Jos tavoitteesi on lihasten kiinteytys, sinun pitää asettaa vastus suureksi. Silloin jalkojesi lihakset rasittuvat enemmän, etkä ehkä pysty treenaamaan niin pitkään kuin haluaisit. Jos tavoitteesi on myös kunnan kohentaminen, sinun pitää muuttaa harjoitteluohjelmaasi. Harjoittele lämmittely- ja jäähdyttelyvaiheissa normaalisti, mutta lisää vastusta harjoitteluvaiheessa, jotta jalkasi joutuvat tekemään enemmän työtä. Vähennä tarvittaessa nopeutta, jotta sykkeesi pysyy tavoitealueella.

## Painon pudotus

Ratkaisevaa on se, miten rasittavaa harjoittelu on. Mitä enemmän ja mitä pidempään harjoittele, sitä enemmän poltat kaloreita. Vaikutus on sama kuin jos harjoittelisit kunnan kohentamiseksi, vaikka tavoite on nyt toinen.

## Käyttö

### Pääkytkin (kuva E-2A)

Tämä laite on varustettu pääkytkimellä laitteen sammuttamiseksi kokonaan.

### Laitteen käynnistäminen:

- Työnnä virtajohdon pistoke laitteeseen.
- Laita virtajohdon pistoke pistorasiaan.
- Laita pääkytkin ON-asentoon.

### Laitteen pysäyttäminen:

- Laita pääkytkin OFF-asentoon.
- Poista virtajohdon pistoke pistorasiasta.
- Poista virtajohdon pistoke laitteesta.

### Turva-avain (kuva F-4)

Laite on varustettu turva-avaimella, joka on asianmukaisesti asetettava käsinojan päällä olevaan aukkoon laitteen käynnistämiseksi. Jos poistat turva-avaimen aukosta, laite pysähtyy välittömästi.

- Aseta turva-avain käsinojan päällä olevaan aukkoon.
- Varmista, että turvallisuusavaimen pidike on kiinnitetty hyvin vaatteisiisi.
- Varmista, että pidike ei irtoa vaatteistasi ennen kuin turvallisuusavain irtoaa ohjauspaneelista.

## ILMOITUS

- Konsoli näyttää E7, kun turva-avain ei ole paikallaan käynnistyksen aikana.

### Katkaisin (kuva E-2B)

Laite on varustettu katkaisimella, joka avaa virtapiirin sähkökuormituksen ollessa yli suurimman sallitun kuorman. Tämän tapahtuessa katkaisijaa on painettava.

## VAROITUS

- Poista virtajohdon pistoke laitteesta ennen katkaisimen painamista.

Jos laite sammuttaa itsensä, käynnistä laite uudestaan seuraavasti:

- Poista virtajohdon pistoke laitteesta.
- Paina katkaisinta laitteen käynnistämiseksi uudelleen.

- Työnnä virtajohdon pistoke laitteeseen.

## ILMOITUS

- Joitakin kotona käytettäviä katkaisimia ei ole luokiteltu korkeaan käynnistysjännitevirtaan, jota voi esiintyä, kun juoksumatto kytketään päälle ja jopa normaalin käytön aikana. Jos juoksumattosi aktivoi katkaisimen (vaikka luokitus on oikea ja juoksumatto on virtapiirin ainoa laite), mutta juoksumaton oma katkaisin ei aktivoitu, sinun pitää vaihtaa katkaisin korkealle käynnistysjännitevirralle tarkoitettuun tyyppiin. Tämä vika ei kuulu takuun piiriin. Kyseessä on asia, johon emme valmistajana voi vaikuttaa.

## Laitteen taittaminen kokoon ja auki.

### HUOM.

- Varmista ennen kuin taitat laitteen kokoon ja auki, että kaukosäädin on otettu pois pidikkeestä, jotta se ei pääse putoamaan.
  - Molemmat lukitusvivut (#8) voidaan vetää ulos, ja niitä voidaan vapaasti asetella uudestaan kiinnittintä kiristämättä tai löysäämättä.
- Avaa lukitusvivut (#8) ja käännä säätääksesi kiinnitystä.

### Laitteen taittaminen auki (kuva F1)

#### - Kun laite on pystysuuntaisessa säilytysasennossa

- Tue juoksumaton runkoa ja löysää samalla tukirungon kiinnitysruuvia (#43) tukirungon (#42) oikean käden puolelta kääntämällä sitä vastapäivään.
- Kallista päärunkoa hieman eteenpäin ja taita tukirunkoa.
- Tue juoksumaton runkoa ja kiristä samalla tukirungon kiinnitysruuvia (#43) tukirungon (#42) oikean käden puolelta kääntämällä sitä myötäpäivään.
- Laske pystyssä oleva juoksumatto vaaka-asentoon.

#### - Kun laite on vaakasuuntaisessa säilytysasennossa.

- Käännä molempia lukitusvipuja (#8) vastapäivään löysätäksesi käsinojan kiinnitystä.
- Nosta käsinoja pystyasentoon. (hieman eteenpäin kallistuneena)
- Käännä molempia lukitusvipuja (#8) myötäpäivään kiinnityksen kiristämiseksi.
- Kuntolaite on nyt käyttövalmiissa asennossa.

Katso kuvista oikea tapa avata laite.

### Laitteen taittaminen kokoon (kuva F2)

#### - Kun laite on käyttövalmiissa asennossa

- Käännä molempia lukitusvipuja (#8) vastapäivään löysätäksesi kiinnitystä.
- Ohjaa käsinojaa alaspäin vaaka-asentoon.
- Käännä molempia lukitusvipuja (#8) myötäpäivään kiristääksesi käsinojan kiinnityksen.
- Kuntolaite on nyt vaakasuuntaisessa säilytysasennossa.

#### - Kun laite on vaakasuuntaisessa säilytysasennossa.

- Nosta juoksumaton runko pystyasentoon nostamalla päärunkoa (älä nosta juoksumattoa pitämällä kiinni käsinojista).
- Tue juoksumaton runkoa ja löysää samalla tukirungon kiinnitysruuvia (#43) tukirungon (#42) oikean käden puolelta kääntämällä sitä vastapäivään.
- Kallista päärunkoa hieman eteenpäin ja taita tukirunko kokoon.
- Tue juoksumaton runkoa ja kiristä samalla tukirungon kiinnitysruuvia (#43) tukirungon (#42) oikean käden puolelta kääntämällä sitä myötäpäivään.
- Juoksumatto on nyt pystysuuntaisessa säilytysasennossa.

Katso kuvista oikea tapa laitteen taittamiseen.

## Ohjauspaneeli (kuva. E-1)



### ⚠ HUOMAUTUS

- Pidä ohjauspaneeli pois suorasta auringonvalosta.
- Kuivaa ohjauspaneelin pinta, jos siihen on tippunut hikeä.
- Älä nojaa ohjauspaneeliin.
- Kosketa näyttöä vain sormenpäälläsi. Älä kosketa näyttöä kynsilläsi tai terävillä esineillä.

### 🔧 ILMOITUS

- Ohjauspaneeli siirtyy valmiustilaan, kun laitetta ei ole käytetty 10 minuuttiin.

## Näytön painikkeet

### Start/Stop (Käynnistys/Pysäytys)

- Paina "Start/Stop"-painiketta käynnistääksesi valitun harjoittelun, kun juoksumatto on stop-tilassa.  
3 sekunnin kuluttua harjoittelu alkaa nopeudella 1,0 km/h.
- Paina "Start/Stop"-painiketta pysäyttääksesi juoksumaton asteittaan, kun se on harjoittelutilassa.

### Mode (Tila)

- Selaa tavoitteiden asetusparametrejä ohjelmointitilassa.  
Valitse joko harjoitusaikatavoite, harjoitusmatkatavoite tai kalorimäärätavoite.

### Ylös

- Lisää nopeutta (1,0~12,0 km/h).
- Yksi painallus lisää nopeutta 0,1 km/h.
- Painamalla ja pitämällä pohjassa kahden sekunnin ajan voi kasvattaa nopeutta nopeammin.
- Muuta arvoja tavoitteiden ohjelmointitilassa.

### Alas

- Vähentää nopeutta (1,0~12,0 km/h).
- Yksi painallus vähentää nopeutta 0,1 km/h.
- Painamalla ja pitämällä pohjassa kahden sekunnin ajan voi pienentää nopeutta nopeammin.
- Muuta arvoja tavoitteiden ohjelmointitilassa.

## Kaukosäätimen painikkeet

### Stop (Pysäytä)

- Paina "Stop"-painiketta pysäyttääksesi juoksumaton asteittain, kun se on harjoittelutilassa.

### Start (Käynnistä)

- Paina "Start"-painiketta käynnistääksesi valitun harjoittelun, kun juoksumatto on stop-tilassa.  
3 sekunnin kuluttua harjoittelu alkaa nopeudella 1,0 km/h.

### + (plus)

- Lisää arvoa tavoitteiden ohjelmointitilassa.

### - (min.)

- Vähennä arvoa tavoitteiden ohjelmointitilassa.

### Speed + (Nopeus +)

- Lisää arvoa tavoitteiden ohjelmointitilassa.
- Lisää harjoittelunopeutta harjoittelutilassa.

### Speed - (Nopeus -)

- Vähennä arvoa tavoitteiden ohjelmointitilassa.
- Vähennä harjoittelunopeutta harjoittelutilassa.

### M (Tila)

Paina M-painiketta ohjelmointitilassa:

- 1 kerran: Avaa tavoiteaikatila. (30 vilkkuu näytöllä)
- 2 kertaa: Avaa tavoitematkatila (D ja 1,0 vilkkuvat näytöllä)
- 3 kertaa: Avaa kaloritavoitetila (50 vilkkuu näytöllä)

### P (Ohjelma)

Paina P-painiketta ohjelmointitilassa:

- 1 kerran: Valitse P1-ohjelma (P1 ja 10 näytetään näytöllä)
- 2 kertaa: Valitse P2-ohjelma (P2 ja 20 näytetään näytöllä)
- 3 kertaa: Valitse P3-ohjelma (P3 ja 30 näytetään näytöllä)

### 🔧 HUOM.

- Kaukosäädin toimii asianmukaisesti vain, jos tilassa kaukosäätimen lähettimen ja päärunon näytön vastaanottimen välillä ei ole esteenä mitään esinettä.
- Kaukosäädin vaatii toimiakseen 2 AAA-tyyppin paristoa.
- Vaihda paristot, kun kaukosäätimesi ei vastaa.

## Näytön kohtien selitykset (kuva E-1)

### Speed (Nopeus)

- Näyttää juoksumaton tämänhetkisen nopeuden harjoittelutilassa.
- Näyttöalue: 1,0~12,0 ± 0,1 km/h

### Distance (Matka)

- Näyttää juostun matkan harjoittelutilassa.
- Asetusalue: 0,0~99,9 km.
- Näyttöalue: 0,0~99,9 km.

### Time (Aika)

- Näyttää tähänastisen juoksuajan harjoittelutilassa.
- Asetusalue: 5~99 minuuttia
- Näyttöalue: 0~59 sek. / 1~99 minuuttia

### Calories (Kalorit)

- Näyttää kulutetut kilokalorit harjoittelutilassa.
- Asetusalue: 10~300 kcal.
- Näyttöalue: 0~999 kcal.

### P1, P2, P3, D, ⏻

- P1, P2, P3: Osoittaa valitun ohjelman.
- D: Osoittaa, että matkalle on valittu tavoitetila.  
D näytetään, kun matkaparametri näytetään harjoittelutilassa.
- ⏻: Osoittaa, että juoksumatto on Stop-tilassa (pysähdyksissä).

### 🔧 HUOM.

- Nämä tiedot muodostavat suurpiirteisen oppaan eri harjoitusjaksojen vertailuun. Niitä ei voi käyttää lääketieteellisessä hoidossa.

### 🔧 HUOM.

- Näyttö kaloreille / matkalle päivitty 5 sekunnin välein.

## Valmisohjelmat (P1~P3)

Laitteessa on 3 valmisohjelmaa, joilla on erilaiset profiilit.  
(Taulukko G)

- Paina "P"-painikkeita valitaksesi "P1~P3"

### P1-ohjelma.

Ohjelma P1 on kiinteänopeuksinen intervalliohjelma, jolla on kiinteä 10 minuutin kesto.

### P2-ohjelma.

Ohjelma P2 on kiinteänopeuksinen intervalliohjelma, jolla on kiinteä 20 minuutin kesto.

### P3-ohjelma.

Ohjelma P3 on kiinteänopeuksinen intervalliohjelma, jolla on kiinteä 30 minuutin kesto.

## Takuu

### Tunturi-kuntolaitteen omistajan takuu

#### Takuuehdot

Kuluttajalla on sovellettavan kulutustavaroiden kauppaa koskevan kansallisen lainsäädännön mukaiset lailliset oikeudet, eikä takuulla rajoiteta näitä oikeuksia. Omistajan Takuu on voimassa vain, mikäli laitetta käytetään Tunturi New Fitness BV:n kyseiselle laitteelle sallimassa käyttöympäristössä. Kunkin laitteen sallittu käyttöympäristö mainitaan laitteen käyttöohjeessa.

#### Takuuehdot

Takuuehdot tulevat voimaan tuotteen ostopäivästä lukien. Takuuehdot voivat olla erilaiset eri maissa, joten pyydä takuuehdot paikalliselta jälleenmyyjältä.

#### Takuun kattavuus

Missään olosuhteissa Tunturi New Fitness BV tai Tunturi-jälleenmyyjä ei vastaa ostajalle mahdollisesti aiheutuvista välillisistä vahingoista, kuten käyttöhyödyn tai tulojen menetyksestä taikka muista taloudellisista seurausvahingoista.

#### Takuun tajoitukset

Takuu kattaa työstä ja materiaalista johtuvat virheet kuntolaitteessa, joka on alkuperäisessä kokoonpanossaan.

Takuu koskee vain virheitä, jotka ilmenevät normaalissa ja laitteen mukana tulleen ohjekirjan mukaisessa käytössä edellyttäen, että Tunturin asennus-, huolto- ja käyttöohjeita on noudatettu. Tunturi New Fitness BV:n ja Tunturin jälleenmyyjät eivät vastaa virheistä, jotka aiheutuvat heidän vaikutusmahdollisuuksiensa ulkopuolella olevista seikoista. Takuu on voimassa vain niissä maissa, joissa Tunturi New Fitness BV:llä on valtuutettu maahantuoja. Takuu ei koske sellaisia kuntolaitteita tai osia, joita on muutettu ilman Tunturi New Fitness BV:n suostumusta. Takuu ei koske virheitä, jotka johtuvat luonnollisesta kulumisesta, virheellisestä käytöstä, käytöstä olosuhteissa, joihin kuntolaitetta ei ole tarkoitettu, korroosiosta tai lastaus- tai kuljetusvahingoista.

Takuu ei koske käyttöäniä, jotka eivät olennaisesti haittaa laitteen käyttöä eivätkä johdu laitteessa olevasta virheestä.

Takuu ei myöskään sisällä kunnossapitotoimenpiteitä, kuten puhdistusta, voitelua tai sen osien normaalia tarkistamista, eikä sellaisia asennustoimenpiteitä, jotka asiakas voi suorittaa itse ja jotka eivät edellytä erityistä kuntolaitteen purkamista / kokeamista. Tällaisia toimenpiteitä ovat esim. mittareiden, polkimien tai muiden vastaavien yksinkertaisten osien vaihdot. Muun kuin valtuutetun Tunturi-edustajan suorittamia takuukorjauksia ei korvata.

Laitteen käyttöohjeen noudattamatta jättäminen aiheuttaa takuun raukeamisen.

## Puhdistus ja huolto

### VAROITUS

- Poista pistoke pistorasiasta ennen puhdistusta ja huoltoa.
- Älä käytä liuottimia laitteen puhdistukseen.

- Älä peitä tuuletusaukkoja. Pidä tuuletusaukot puhtaana pölystä, liasta ja muista esteistä.
- Puhdista laite pehmeällä, imukykyisellä kankaalla jokaisen käytön jälkeen.
- Puhdista laitteen näkyvät osat pölynimurilla käyttäen pientä imupäätä.
- Tarkista säännöllisesti kaikkien ruuvien ja mutterien olevan tiukasti kiinni.

### Matto ja juoksualusta

Juoksumatossa on hyvin tehokas ja alhaisen kitkan omaava juoksualue. Suoritus voidaan maksimoida pitämällä juoksualusta niin puhtaana kuin mahdollista. Pyyhi pehmeällä, kevyesti kostutetulla liinalla tai paperipyyhkeellä maton reunat sekä maton reunojen ja rungon välinen alue. Puhdista mahdollisuuksien mukaan myös maton reunojen alta. Tämä pitäisi tehdä kerran kuussa maton ja juoksualustan käyttöön pidentämiseksi. Käytä pelkkää vettä. Älä käytä puhdistus- tai hankausaineita. Strukturoidun maton yläpuolen voi puhdistaa miedolla saippuavedellä ja nailonharjalla. Anna maton kuivua ennen käyttöä.

### Voitelu (kuva F-6)

Juoksumatto on tarkistettava voitelua varten 2 kuukauden välein, perustuen keskimääräiseen 60 minuutin päivittäiseen käyttöön. Juoksumaton matto on voideltu ennen sen asentamista juoksumattoon laitteen tuotannon aikana. Siksi mattoa ei tarvitse voidella, kun se otetaan ensimmäisen kerran käyttöön.

### VAROITUS

- Poista virtajohdon pistoke pistorasiasta ennen voitelua.

### HUOMAUTUS

- Suosittelemme tarkistamaan juoksumaton voitelun vähintään kerran kuukaudessa, sillä muutkin tekijät kuin aika voivat vaikuttaa voiteluolosuhteisiin.
- Voitele juoksumatto vain tarvittaessa. Jos laitat liikaa voiteluainetta, juoksumatto lipsuu herkästi kitkan puuttumisesta johtuen.

- Seiso vakaasti juoksumatolla.
- Pidä kiinni etukäsituesta ja työnnä juoksumattoa jaloillasi niin, että se liukuu edestakaisin. Juoksumaton on liikuttava pehmeästi ja tasaisesti ääntä pitämättä.
- Jos juoksumatto ei liiku pehmeästi ja tasaisesti tai, jos juoksumatto ei liiku ollenkaan, kosketa juoksumaton alapuolta sormenpäilläsi voitelun tarkistamiseksi:
  - Jos tunnet voiteluaineen tai sormesi ovat kiiltävät, juoksumatossa on riittävästi voiteluainetta.
  - Jos et tunne voiteluainetta, tai sormenpäisi ovat pölyiset tai ne tuntuvat karkeilta, laita voiteluainetta (15-20 ml) keskelle juoksumatton alle ja anna laitteen käydä 5 km/h nopeudella vähintään 5 minuuttia.
  - Älä kokoontaita laitetta voitelun jälkeen ennen kuin olet suorittanut 20 minuutin harjoituksen vähintään 5 km/h nopeudella. Voiteluaine leviää tasaisesti yli koko juoksumaton.

## Matolle kertyvä pöly

Pölyä esiintyy tavanomaisen käyttöönotton aikana tai siihen asti kun matto vakautuu. Pyyhi mattoon mahdollisesti kerääntyvä pöly pois kevyesti kostutetulla liinalla.

## Peruspuhdistus

Lika, pöly ja lemmikkieläinten karvat voivat tukkia laitteen ilma-aukot ja kerääntyä mattoon. Estä epäpuhtauksien kerääntyminen imuroimalla kuukausittain kuntolaitteen alta. Kaksi kertaa vuodessa sinun pitäisi irrottaa moottorin musta suojuus ja imuroida sen alle kerääntynyt pöly.

IRROTA ENSIN VERKKOJOHDON PISTOKE PISTORASIASTA

## Maton säädöt:

Maton kireyden säätö - Kireys säädetään takatilasta. Säätöruuvit sijaitsevat reunalevyjen päätysuojuksissa mukaisesti.

## Maton keskittäminen

- Takatelan ruuveja on kiristettävä (myötöpäivään) vain sen verran, että etutela ei enää luista. Kierrä kumpaakin kireyden säätöruuvia 1/4 kierroksen askelissa ja tarkista välillä maton kireys kävelemällä matolla alhaisessa nopeudessa, varmistaen että matto ei luista. Jatka säätöruuvien kiristämistä, kunnes matto ei enää luista.
- Jos matto tuntuu sinusta riittävän kireältä mutta se luistaa edelleen, ongelma voi johtua siitä, että etusuojuksen alla sijaitseva moottorin käyttöhihna on löysällä.
- Älä Kiristä Liikaa: Liiallinen kiristäminen voi vahingoittaa mattoa ja aiheuttaa laakerien enneaikaisen vaurioitumisen.

## Maton kulku ja keskitys:

Juoksumaton hyvä toiminta riippuu siitä, lepääkö runko riittävän tasaisella alustalla. Jos runko ei ole aivan vaakasuorassa, etu- ja takatela eivät pyöri tasaisesti, ja matto tarvitsee toistuvasti säätämistä.

Juoksumatto on suunniteltu siten, että matto pysyy riittävän keskellä käytön aikana. On aivan normaalia, että jotkut matot kulkeutuvat kohti toista laitaa, jos käynnissä olevassa laitteessa ei ole harjoittelijaa. Kun laitetta on käytetty muutama minuutti, maton kuuluu kuitenkin keskittyä itsestään. Jos matto siirtyy käytön aikana jatkuvasti toiseen laitaan, sitä on säädettävä.

## POIKKEUS:

Kun juoksumattoa käytetään kuntoutukseen, ja kuntoutuja käyttää jompaakumpaa jalkaa toista jalkaa voimakkaammin, matto saattaa siirtyä toiseen laitaan. Tällaisessa tapauksessa mattoa ei pidä säätää. Sitä tulisi säätää vasta, jos matto ei tavallisessa harjoittelukäytössä keskity itsestään.

## Maton keskityksen säätö: (kuva F-5)

Juoksumaton mukana on toimitettu 6 mm:n koloavain takatelan säätämistä varten. Keskitystä säädetään vain telan vasemmassa reunassa olevasta ruuvista. Aseta maton nopeudeksi n. 3–5 km/h.

Muista, että pienelläkin säädöllä voi olla suuri vaikutus!

Käännä vasemman puolen pulttia myötöpäivään (myötöpäivään) maton siirtämiseksi oikealle; käännä tätä pulttia vastapäivään siirtääksesi mattoa vasemmalle. Käännä pulttia vain 1/4 kierrosta ja odota muutama minuutti, kunnes hihna säätty. Jatka pultin kiertämistä 1/4 kierrosta kerrallaan, kunnes rengas vakautuu kulutuspuolelta keskelle.

Matto saattaa vaatia säännöllistä keskitystä laitteen käytöstä ja harjoittelijan kävely- tai juoksumatosta riippuen. Eri käyttäjillä on erilainen vaikutus maton kulkuun. On todennäköistä, että joudut jossakin vaiheessa säätämään maton keskitystä. Kun mattoa käytetään, säädöt tulevat tutuiksi ja niistä on vähemmän huolta.

Maton keskittäminen on juoksumaton omistajan vastuulla kaikissa juoksumatoissa.

## ⚠ HUOM

- Maton vahingoittuminen huonosti toteutetun keskityksen tai kireyden säädön seurauksena ei kuulu takuun piiriin.

## Käyttöhäiriöt

Jatkuvasta laaduntarkkailusta huolimatta laitteessa saattaa esiintyä yksittäisistä komponenteista johtuvia yksilövikoja tai toimintahäiriöitä. Koko laitteen toimittaminen korjattavaksi on yleensä tarpeetonta, sillä vika on useimmiten korjattavissa ko. osan vaihdolla.

Mikäli laitteen toiminnassa ilmenee häiriöitä käytön aikana, ota välittömästi yhteys laitteen myyjään. Ilmoita laitteesi malli ja sarjanumero (sarjanumerotarran sijainnin näet tämän käyttöohjeen etukannen sisäpuolelta). Ilmoita lisäksi häiriön luonne, laitteen käyttöympäristö sekä ostopäivämäärä.

Mikäli tarvitset laitteeseesi varaosia, ota yhteys laitteen myyjään. Ilmoita aina laitteen malli, sarjanumero sekä tarvittavan osan varaosanumero. Varaosaluettelon löydät tämän oppaan lopusta. Laitteessa saa käyttää vain varaosalistassa mainittuja osia.

## Kuljetus ja säilytys

### ⚠ VAROITUS

- Poista pistoke pistorasiasta ennen puhdistusta ja huoltoa.
  - Vähintään kahden henkilön on kannettava ja siirrettävä laitetta.
  - Varmista, ettei muita henkilöitä tai esineitä ole laitteen alla.
- Siirrä laite näytetyn mukaisesti (kuva F3). Siirtäkää laite ja laskekaa se varovasti alas. Asettakaa laite suojalustalle lattiapinnan vaurioiden estämiseksi. Siirrä laitetta varovasti epätasaisilla pinnoilla. Älä siirrä laitetta yläkertaan pyöriä käyttäen. Suorita siirto kahvatuista kantaen.
  - Säilytä laitetta pystyasennossa (kuva F1). Säilytä laitetta kuivassa, mahdollisimman tasalämpötilaisessa paikassa.

### Säilytys pystyasennossa.

#### ⚠ HUOMIO

- Huomaa, että kun juoksumattoa säilytetään pystyasennossa, se on riittävän vakaa vain oman painonsa tukemiseen.

Suosittelimme säilyttämään juoksumattoa vaaka-asennossa vain sellaisessa paikassa, jossa ihmisten aiheuttamaa tai muuta liikettä ei ole lähes lainkaan.

Paras paikka on seinää vasten tai kaapissa.

## Lisätietoa laitteen omistajalle

### Pakkauksen hävittäminen

Lainsäädäntö ohjeistaa meitä vähentämään kaatopaikoille toimitetun jätteen määrää. Sen vuoksi pyydämme sinua toimittamaan kaikki pakkausjätteet sitä varten tarkoitettuun kierrätyspisteeseen.

### Laitteen hävittäminen käyttöön päättyessä

Me Tunturilla toivomme, että iloitset kuntolaitteestasi vuosia. Jokainen kuntolaite tulee kuitenkin aikanaan oman käyttöikänsä loppuun. Kotitalouksien sähkö- ja elektroniikkalaiteromua käsittelevien eurooppalaisten määräysten (WEEE) mukaan sinun kuuluu toimittaa kuntolaitteesi sitä varten tarkoitettuun keräyspaikkaan.

## Tekniset tiedot

Parametri	Mittayksikkö	Arvo
Sähkölähteen jännite	VAC	210 ~ 240
Sähkölähteen taajuus	HZ	50 ~ 60
Juoksumaton nopeus	Km/H	1.0 ~ 12.0
Nousukulma	Step	☒
Pituus (taitettuna)	Cm	148.0 ( 155.0)
Leveys	Cm	73.0
Korkeus (taitettuna)	Cm	121.0 (16.0)
Paino	Kg	36.0
Telemetrinen sykevastaanotin	käden yhteys 5.3~ 5.4 Khz. Bluetooth (BLE) ANT+	☒ ☒ ☒ ☒

## Valmistajan vakuutus

Tunturi New Fitness BV vakuuttaa tuotteen täyttävän seuraavien standardien ja direktiivien vaatimukset: EN 957 (HC), 2014/30/EU. Tässä tuotteessa on sen vuoksi CE-merkki..

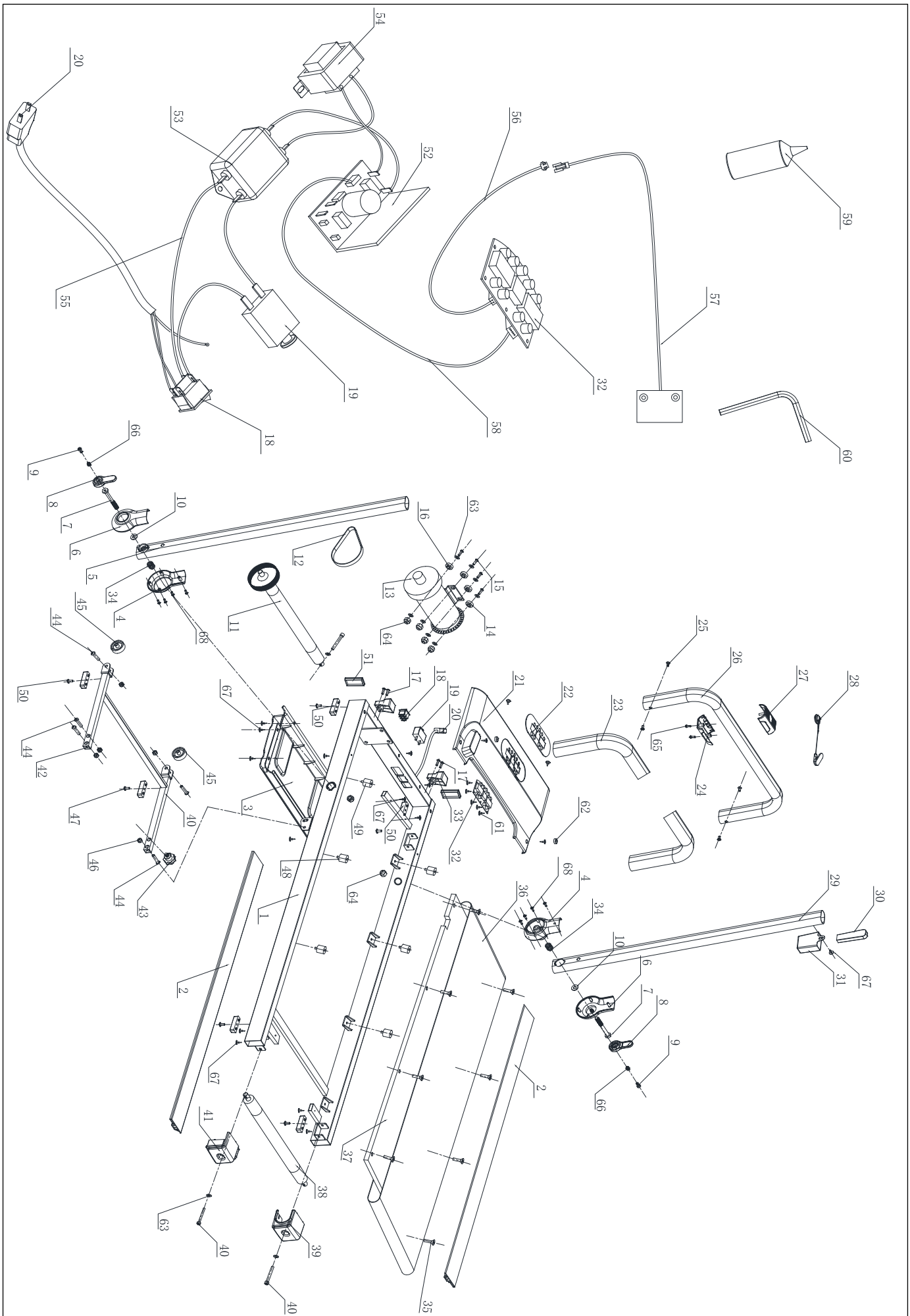
04-2020

Tunturi New Fitness BV  
Purmerweg 1  
1311 XE Almere  
Alankomaat

## Vastuuvapauslauseke

© 2020 Tunturi New Fitness BV  
Kaikki oikeudet pidätetään.

- Tuote ja käyttöopas saattavat muuttua.
- Teknisiä tietoja saatetaan muuttaa ilman eri ilmoitusta.
- Katso käyttöohjeiden uusien versio verkkosivustoltamme.



NR	Description	Specs	Qty
1	Frame		1
2	Side rail		2
3	Motor cover-lower		1
4	Inner cover		2
5	Upright tube- L		1
6	Outer cover		2
7	Screw	M10*95	2
8	Clamp Lever		2
9	Screw	M5*15	2
10	Washer		2
11	Front roller	527*Ø38*Ø12	1
12	Drive belt	170J4	1
13	Motor	1HP 180V 4800RPM	1
14	Pad		4
15	Screw	M8*25	4
16	Bracket		1
17	Screw	M6*16	4
18	Power switch		1
19	Overload Protector	125-250V	1
20	Power cord		1
21	Motor cover-upper		1
22	Display sticker		1
23	Grip		2
24	Cover-lower		1
25	Screw	M6*12	4
26	Handle tube		1
27	Cover-upper		1
28	Safety key		1
29	Upright tube- R		1
30	Remote control		1
31	Holder		1
32	Display panel		1
33	Standup pad		2
34			2
35	Screw	M6*25mm	
36	Running belt	2510*420*1.6mm	1
37	Running deck		1
38	Rear roller	510*Ø12* 454*Ø38mm	1
39	End cap-R		1
40	Screw	M8*60mm	3
41	End cap-L		1
42	Stabilizer		1
43	Knob	M8*20MM	2
44	Screw	M8*40MM	4
45	Wheel		2

NR	Description	Specs	Qty
46	Nut	M8	4
47	Screw	M6*16mm	4
48	Pad round-45	45°	4
49	Pad round-70	70°	2
50	Pad		6
51	Cap		2
52	Control board	120*52*80mm	1
53	Filter	125-250V-6A	1
54	Chock	250V-6A	1
55	Wire-150	150mm	1
56	Wire-lower-800	800mm	1
57	Wire-upper-1300	1300mm	1
58	Wire-300	300mm	1
59	Lubrication Oil		1
60	Wrench	6#	1
61	Screw	ST3*8	5
62	Cap		2
63	Washer	Ø8*16*1	11
64	Nut	M8	6
65	Screw	ST4*14MM	2
66	Spring		2
67	Screw	ST4.2*13mm	12
68	Screw	ST3*14MM	8
HK	Hardware kit		1







## **Tunturi New Fitness BV**

Purmerweg 1 NL - 1311 XE Almere  
P.O. Box 60001 NL - 1320 AA Almere  
The Netherlands

[www.tunturi.com](http://www.tunturi.com)

