



Installation manual

STAGE3 607C

STAGE3 607CF

STAGE3 427

STAGE3 427F

STAGE3 527

STAGE3 527F

STAGE3 627

STAGE3 627F

STAGE3 637F

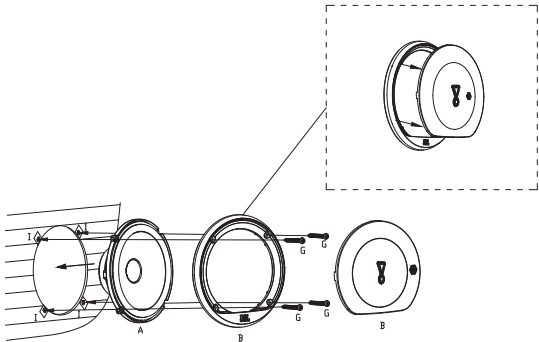
STAGE3 6427

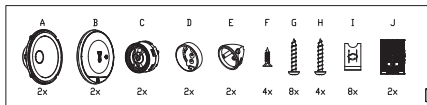
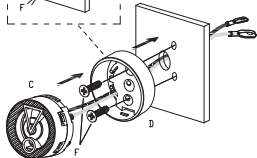
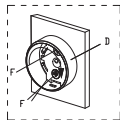
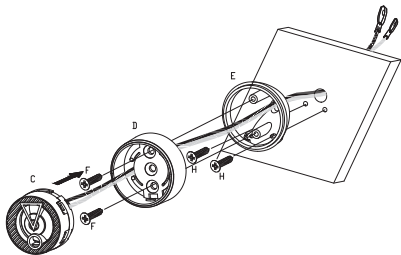
STAGE3 8627

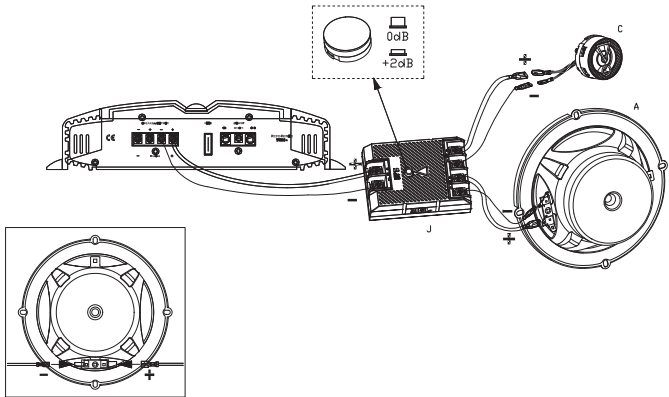
STAGE3 9637

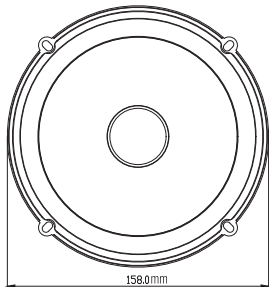
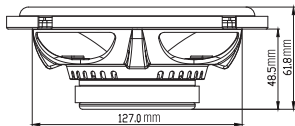
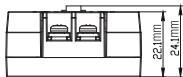
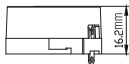
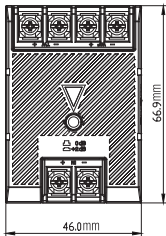
STAGE3 9637F

STAGE3 607C









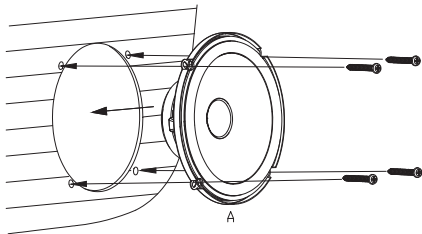
Specification

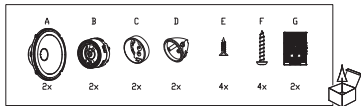
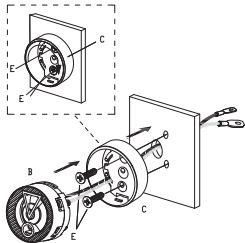
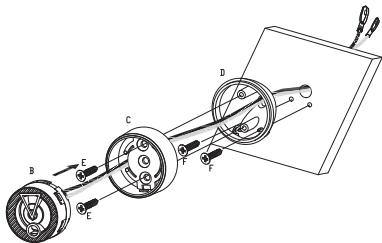
- Type: 6-1/2" (165mm) 2-way component system car speaker
- Power Handling: 50W RMS, 250W (Peak)
- Sensitivity (@2.83V/1m): 92dB
- Frequency Response: 55Hz - 20kHz
- Impedance: 3ohms

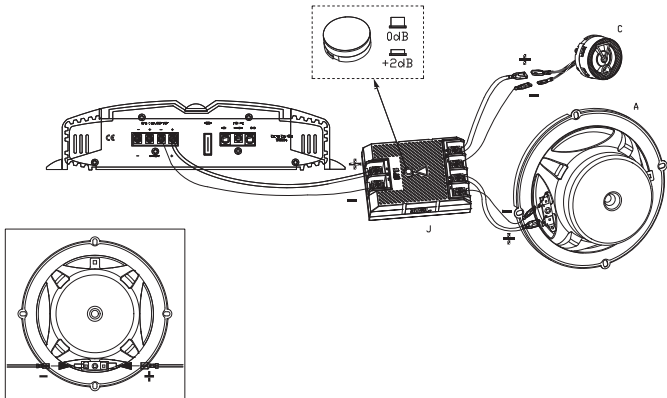
Thiele-Small Parameters

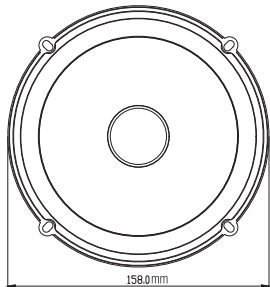
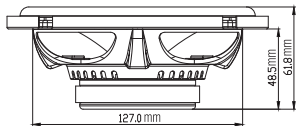
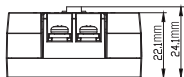
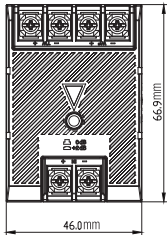
- BL (Tm): 3.316
- DCR (ohms): 2.45
- Mms (g): 14.017
- Sd (cm²): 138.93
- Cms (μm/N): 0.316
- Vas (l): 8.6375
- Fs (Hz): 75.6
- Qes: 1.482
- Qms: 11.842
- Qts: 1.317
- Crossover Point: 5kHz

STAGE3 607CF









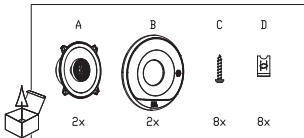
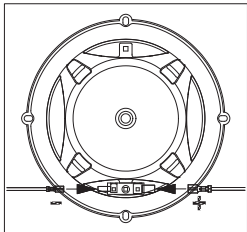
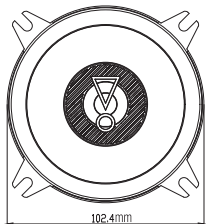
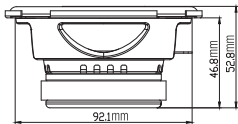
Specification

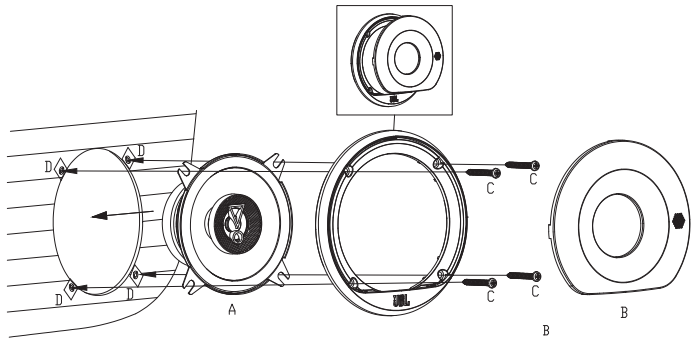
- Type: 6-1/2" (165mm) 2-way component system car speaker for factory upgrade without grille
- Power Handling: 50W RMS, 250W (Peak)
- Sensitivity (@2.83V/1m): 92dB
- Frequency Response: 55Hz - 20kHz
- Impedance: 3ohms

Thiele-Small Parameters

- BL (Tm): 3.316
- DCR (ohms): 2.45
- Mms (g): 14.017
- Sd (cm²): 138.93
- Cms (μm/N): 0.316
- Vas (l): 8.6375
- Fs (Hz): 75.6
- Qes: 1.482
- Qms: 11.842
- Qts: 1.317
- Crossover Point: 5kHz

STAGE3 427





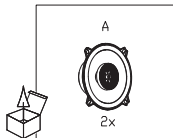
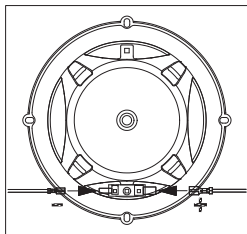
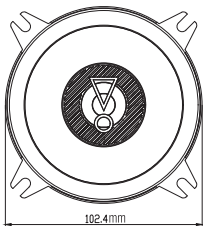
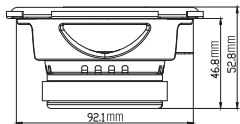
Specification

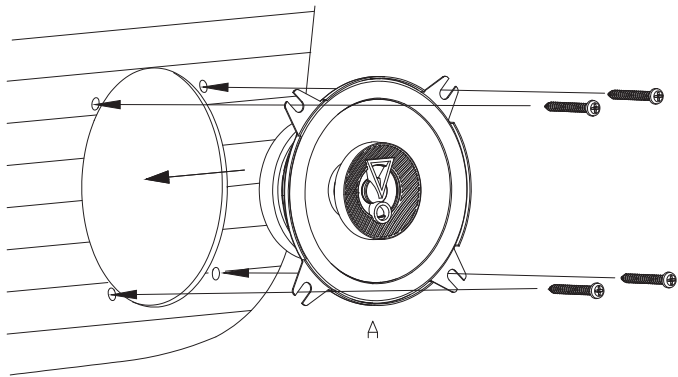
- Type: 4" (100mm) 2-way coaxial car speaker
- Power Handling: 30W RMS, 150W (Peak)
- Sensitivity (@2.83V/1m): 90dB
- Frequency Response: 75Hz - 20kHz
- Impedance: 3ohms

Thiele-Small Parameters

- BL (Tm): 2.467
- DCR (ohms): 2.74
- Mms (g): 5.501
- Sd (cm²): 63.62
- Cms (μm/N): 0.387
- Vas (l): 2.2146
- Fs (Hz): 109.1
- Qes: 1.698
- Qms: 12.973
- Qts: 1.501
- Crossover Point: 7kHz

STAGE3 427F





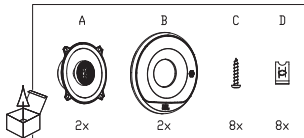
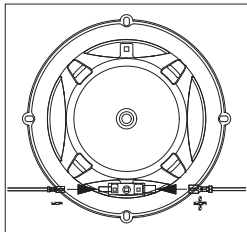
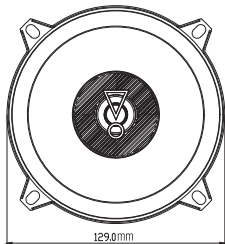
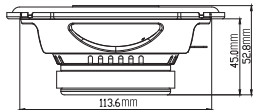
Specification

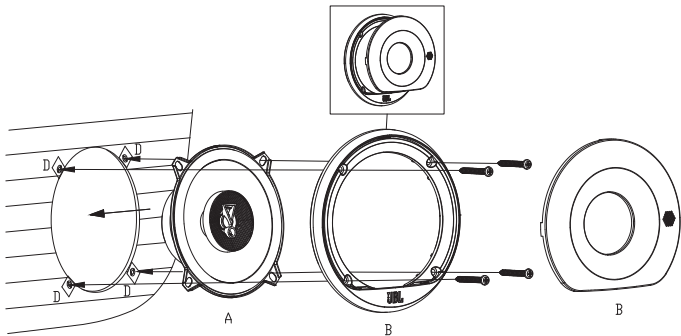
- Type: 4" (100mm) 2-way coaxial car speaker for factory upgrade without grille
- Power Handling: 30W RMS, 150W (Peak)
- Sensitivity (@2.83V/1m): 90 dB
- Frequency Response: 75Hz - 20kHz
- Impedance: 3 ohms

Thiele-Small Parameters

- BL (Tm): 2.467
- DCR (ohms): 2.74
- Mms (g): 5.501
- Sd (cm²): 63.62
- Cms (μm/N): 0.387
- Vas (l): 2.2146
- Fs (Hz): 109.1
- Qes: 1.698
- Qms: 12.973
- Qts: 1.501
- Crossover Point: 7kHz

STAGE3 527





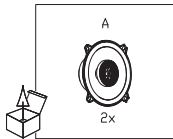
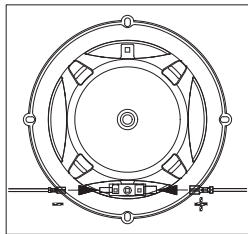
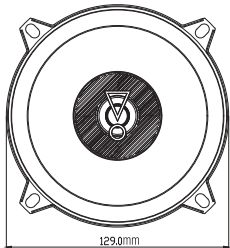
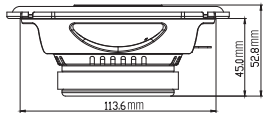
Specification

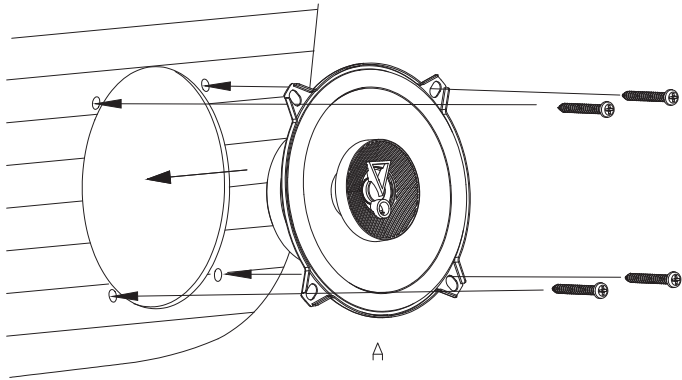
- Type: 5-1/4" (130mm) 2-way coaxial car speaker
- Power Handling: 40W RMS, 200W (Peak)
- Sensitivity (@2.83V/1m): 91dB
- Frequency Response: 75Hz - 20kHz
- Impedance: 3ohms

Thiele-Small Parameters

- BL (Tm): 3.148
- DCR (ohms): 2.61
- Mms (g): 9.81
- Sd (cm²): 102.07
- Cms (μm/N): 0.281
- Vas (l): 4.1374
- Fs (Hz): 95.9
- Qes: 1.555
- Qms: 13.546
- Qts: 1.395
- Crossover Point: 6kHz

STAGE3 527F





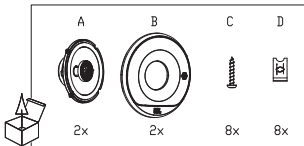
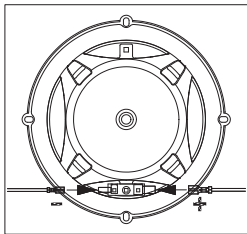
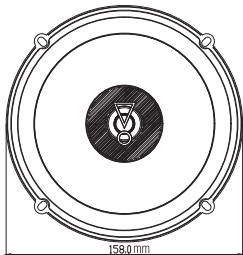
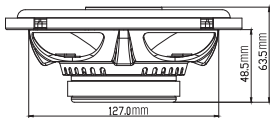
Specification

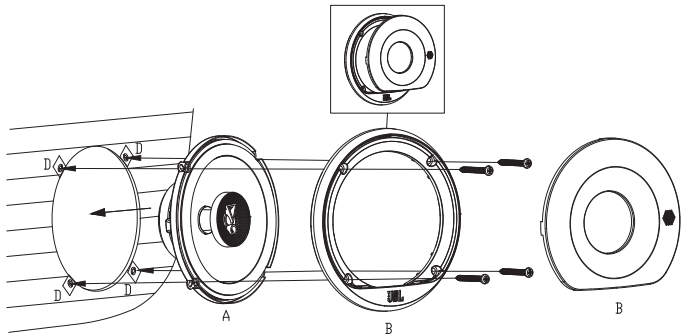
- Type: 5-1/4" (130mm) 2-way coaxial car speaker for factory upgrade without grille
- Power Handling: 40W RMS, 200W (Peak)
- Sensitivity (@2.83V/1m): 91dB
- Frequency Response: 75Hz - 20kHz
- Impedance: 3ohms

Thiele-Small Parameters

- BL (Tm): 3.148
- DCR (ohms): 2.61
- Mms (g): 9.81
- Sd (cm²): 102.07
- Cms (μm/N): 0.281
- Vas (l): 4.1374
- Fs (Hz): 95.9
- Qes: 1.555
- Qms: 13.546
- Qts: 1.395
- Crossover Point: 6kHz

STAGE3 627





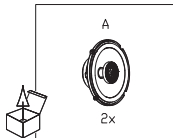
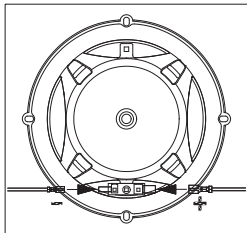
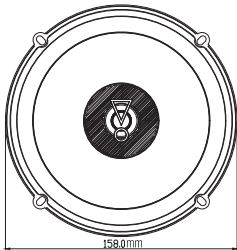
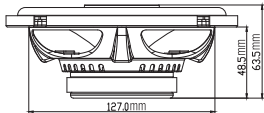
Specification

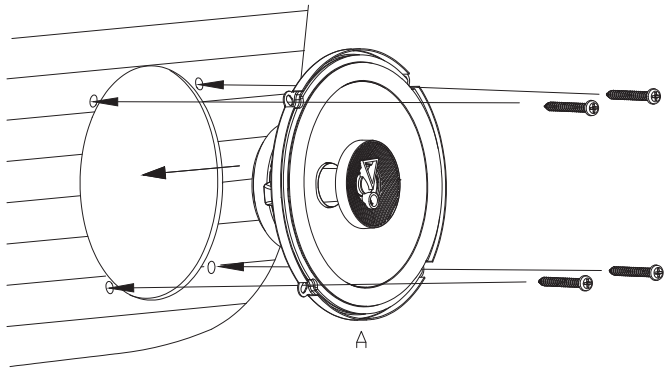
- Type: 6-1/2" (160mm) 2-way coaxial car speaker
- Power Handling: 45W RMS, 225W (Peak)
- Sensitivity (@2.83V/1m): 92dB
- Frequency Response: 55Hz - 20kHz
- Impedance: 3ohms

Thiele-Small Parameters

- BL (Tm): 3.347
- DCR (ohms): 2.43
- Mms (g): 13.661
- Sd (cm²): 138.93
- Cms (μm/N): 0.339
- Vas (l): 9.2635
- Fs (Hz): 73.9
- Qes: 1.377
- Qms: 13.148
- Qts: 1.246
- Crossover Point: 5kHz

STAGE3 627F





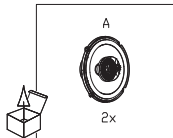
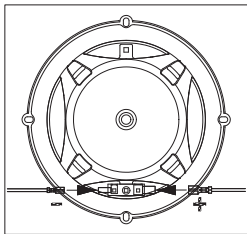
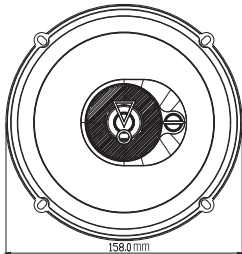
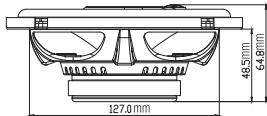
Specification

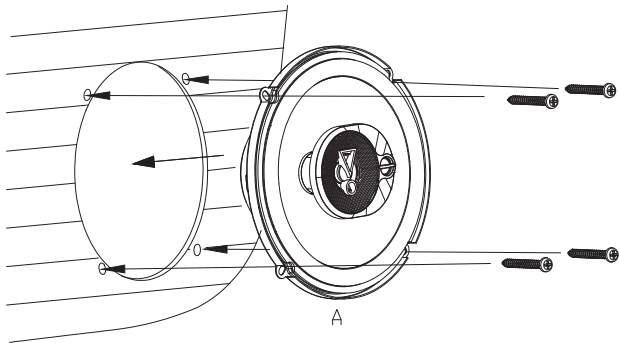
- Type: 6-1/2" (160mm) 2-way coaxial car speaker for factory upgrade without grille
- Power Handling: 45W RMS, 225W (Peak)
- Sensitivity (@2.83V/1m): 92dB
- Frequency Response: 55Hz - 20kHz
- Impedance: 3ohms

Thiele-Small Parameters

- BL (Tm): 3.347
- DCR (ohms): 2.43
- Mms (g): 13.661
- Sd (cm²): 138.93
- Cms (μm/N): 0.339
- Vas (l): 9.2635
- Fs (Hz): 73.9
- Qes: 1.377
- Qms: 13.148
- Qts: 1.246
- Crossover Point: 5kHz

STAGE3 637F





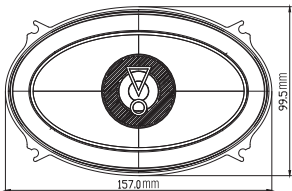
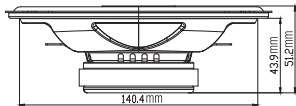
Specification

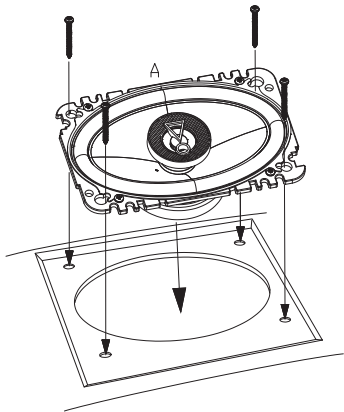
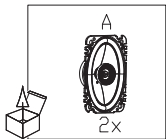
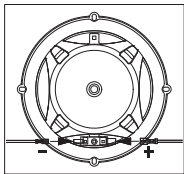
- Type: 6-1/2" (165mm) 3-way coaxial car speaker for factory upgrade without grille
- Power Handling: 45W RMS, 225W (Peak)
- Sensitivity (@2.83V/1m): 92dB
- Frequency Response: 55Hz - 20kHz
- Impedance: 3ohms

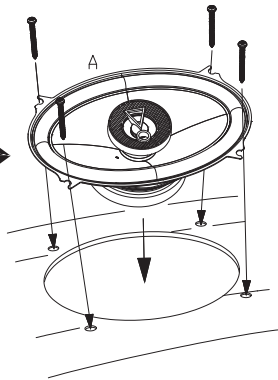
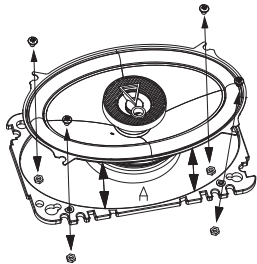
Thiele-Small Parameters

- BL (Tm): 3.347
- DCR (ohms): 2.43
- Mms (g): 13.661
- Sd (cm²): 138.93
- Cms (μm/N): 0.339
- Vas (l): 9.2635
- Fs (Hz): 73.9
- Qes: 1.377
- Qms: 13.148
- Qts: 1.246
- Crossover Point: 5kHz

STAGE3 6427







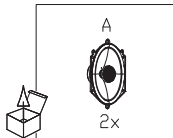
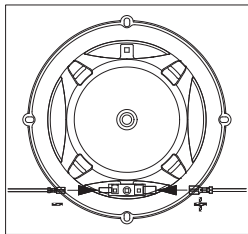
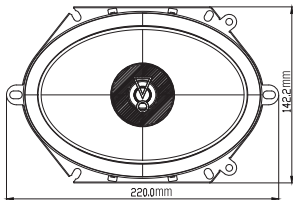
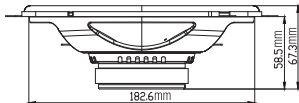
Specification

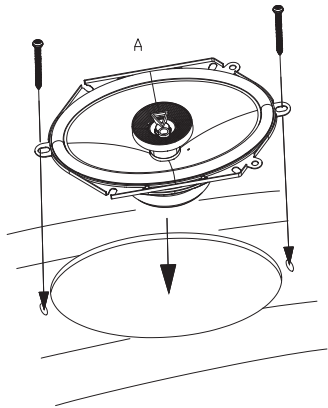
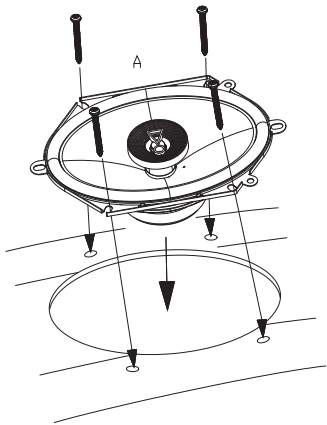
- Type: 4" x 6" (100mm x 152mm) 2-way coaxial car speaker
- Power Handling: 35W RMS, 175W (Peak)
- Sensitivity (@2.83V/1m): 91dB
- Frequency Response: 75Hz - 20kHz
- Impedance: 3ohms

Thiele-Small Parameters

- BL (Tm): 3.146
- DCR (ohms): 2.36
- Mms (g): 8.151
- Sd (cm²): 86.59
- Cms (μm/N): 0.272
- Vas (l): 2.884
- Fs (Hz): 106.9
- Qes: 1.307
- Qms: 13.178
- Qts: 1.189
- Crossover Point: 6kHz

STAGE3 8627





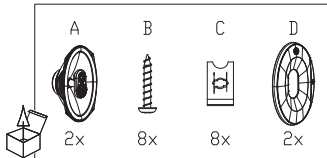
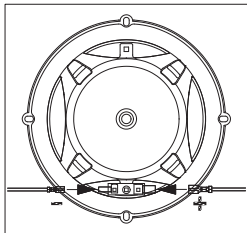
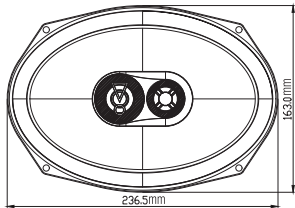
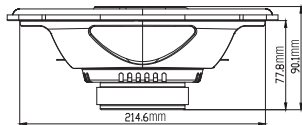
Specification

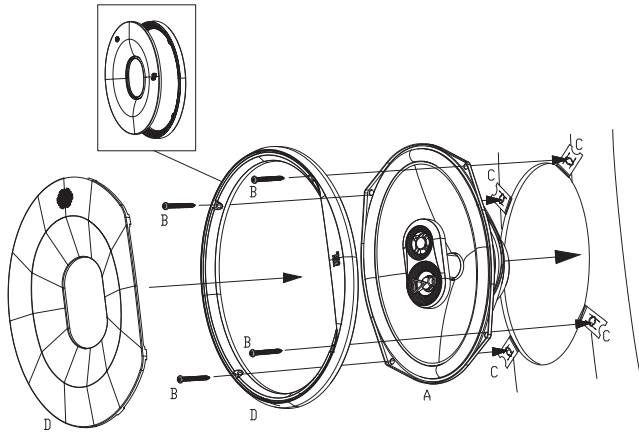
- Type: 6" x8" (152mm x 203mm) 2-way coaxial car speaker
- Power Handling: 50W RMS, 250W (Peak)
- Sensitivity (@2.83V/1m): 93dB
- Frequency Response: 65Hz - 20kHz
- Impedance: 3ohms

Thiele-Small Parameters

- BL (Tm): 3.736
- DCR (ohms): 2.63
- Mms (g): 17.369
- Sd (cm²): 176.71
- Cms (μm/N): 0.396
- Vas (l): 7.7316
- Fs (Hz): 60.7
- Qes: 1.25
- Qms: 11.955
- Qts: 1.132
- Crossover Point: 6kHz

STAGE3 9637





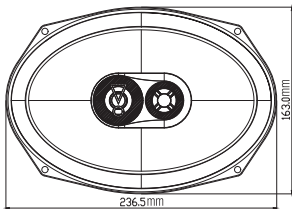
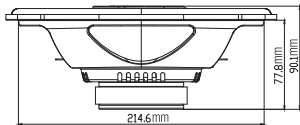
Specification

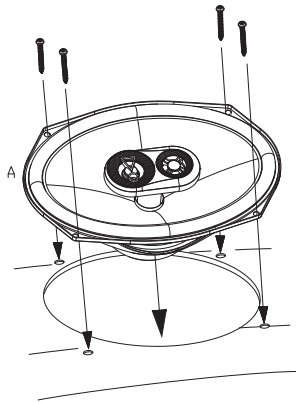
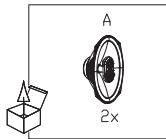
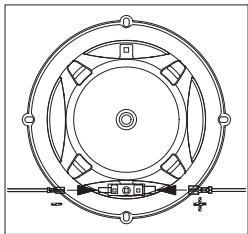
- Type: 6" x 9" (152mm x 230mm) 3-way car speaker
- Power Handling: 75W RMS, 375W (Peak)
- Sensitivity (@2.83V/1m): 93dB
- Frequency Response: 50Hz - 20kHz
- Impedance: 3ohms

Thiele-Small Parameters

- BL (Tm): 3.533
- DCR (ohms): 2.34
- Mms (g): 22.973
- Sd (cm²): 237.79
- Cms (μm/N): 0.404
- Vas (l): 32.3563
- Fs (Hz): 52.2
- Qes: 1.413
- Qms: 13.661
- Qts: 1.281
- Crossover Point: 5kHz

STAGE3 9637F





Specification

- Type: 6"x9" (152mm x 230mm) 3-way car speaker for factory upgrade without grille
- Power Handling: 75W (RMS), 375W (Peak)
- Sensitivity (@2.83V/1m): 93dB
- Frequency Response: 50Hz - 20kHz
- Impedance: 3ohms

Thiele-Small Parameters

- BL (Tm): 3.533
- DCR (ohms): 2.34
- Mms (g): 22.973
- Sd (cm²): 237.79
- Cms (μm/N): 0.404
- Vas (l): 32.3563
- Fs (Hz): 52.2
- Qes: 1.413
- Qms: 13.661
- Qts: 1.281
- Crossover Point: 5kHz



HARMAN International Industries,
Incorporated, 8500 Balboa
Boulevard, Northridge, CA 91329
USA

© 2018 HARMAN International
Industries, Incorporated. All

rights reserved. JBL is a trademark of HARMAN International
Industries, Incorporated, registered in the United States and/or
other countries.

Features, specifications and appearance are subject to change
without notice.