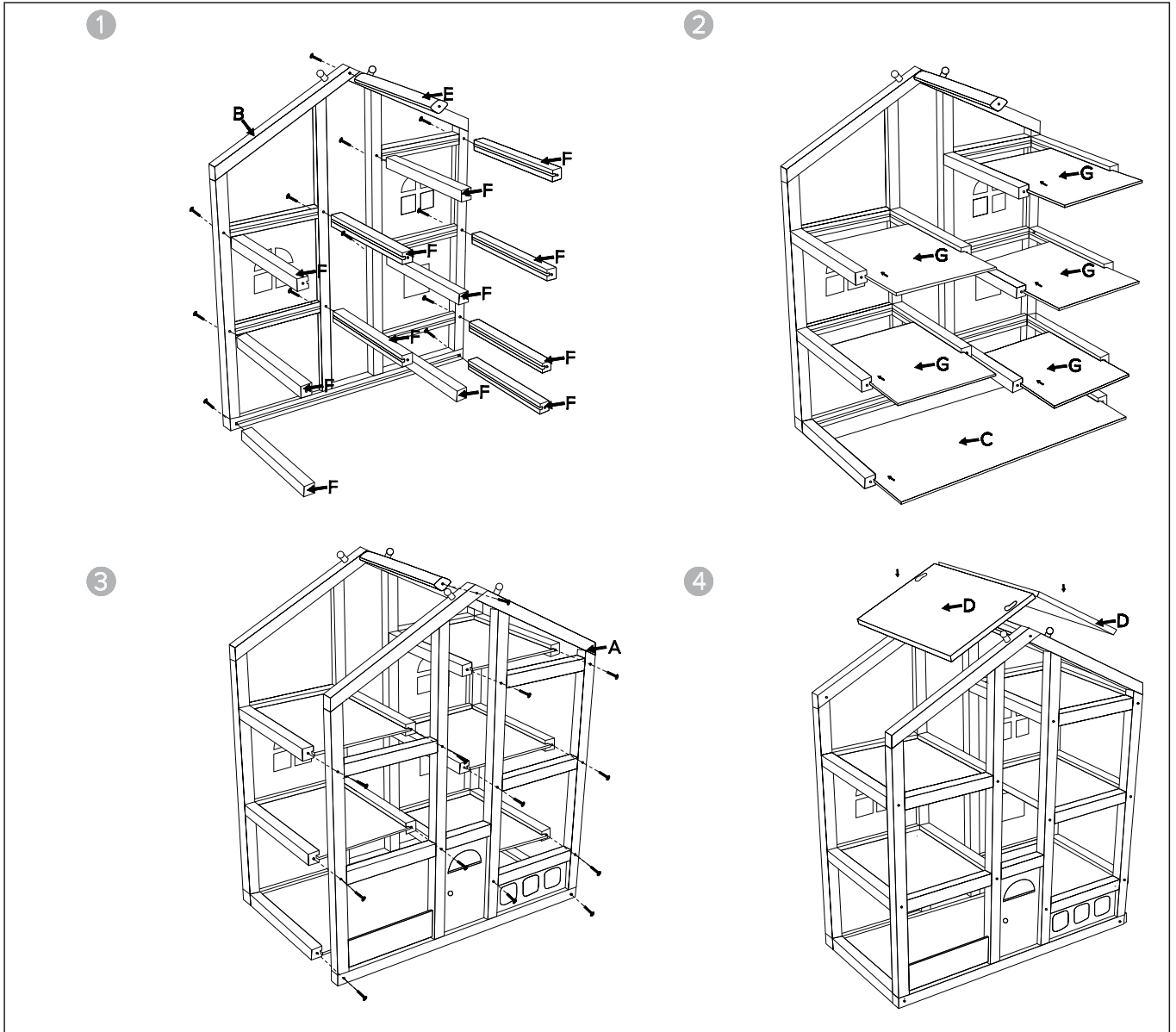




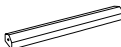


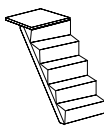



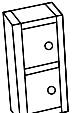
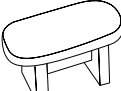
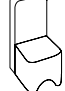
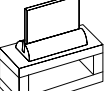
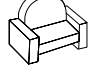
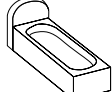
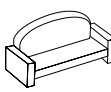
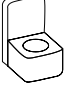

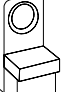

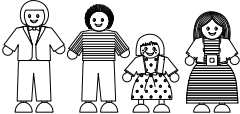


# Wooden Doll House

## Assembly instructions

Please retain this information for future reference



 X 1pc	 X 1pc	 X 1pc	 X 2pcs	 X 1pc	 X 12pcs	 X 5pcs	 X 2pcs
 X 26pcs	 X 1pc	 X 1pc	 X 1pc	 X 1pc	 X 4pcs	 X 1pc	 X 1pc
 X 1pc	 X 1pc	 X 1pc	 X 1pc	 X 1pc	 X 1pc	 X 1pc	

**WARNING:**  
ADULT ASSEMBLY REQUIRED. Product includes small parts with potentially hazardous sharp points and sharp edges in the unassembled state. Keep unassembled parts away from children.

**WARNING:** CHOKING HAZARD. Small parts and sharp points, not suitable for children under 3 years.

**WARNING:** If used improperly, your toys may be pulled over or fall, creating risk of injury or damage. To minimize this risk, We recommend that you use a fixed accessories.

