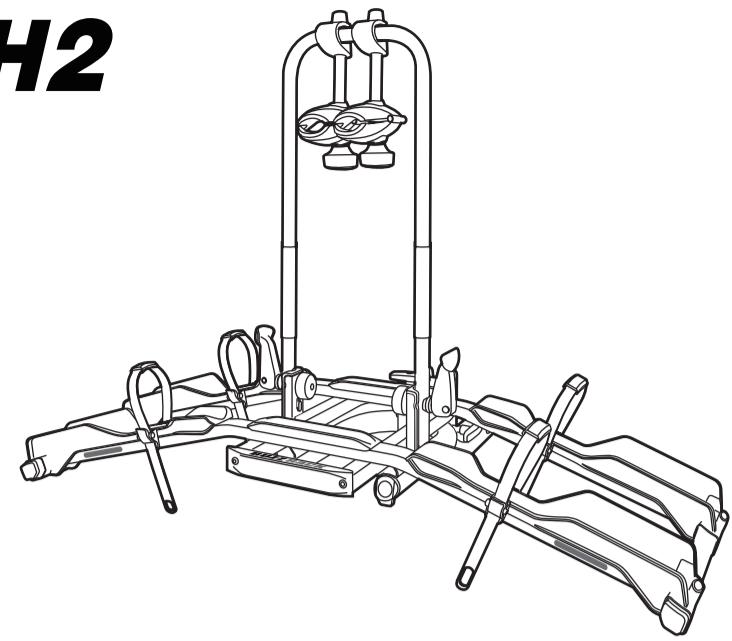


BUZZ RACK

E-HORNET H2



2" Min 1.5" E-BIKE 16.5 2 MAX 2x30kg
 Made in Taiwan 94-3500-022-10-V1/20200312

OK

MAX 60KG **E-Bike**

2 x 30kg = MAX 60 kg

Max 4"

Wheel base

10" Tire diameter		26" Tire diameter		29" Tire diameter	
MIN	MAX	MIN	MAX	MIN	MAX
84cm(23")	96cm(38")	91cm(36")	127cm(50")	94cm(37")	134cm(53")

ACCESSORIES

e-RAMP
47-0116-002-10

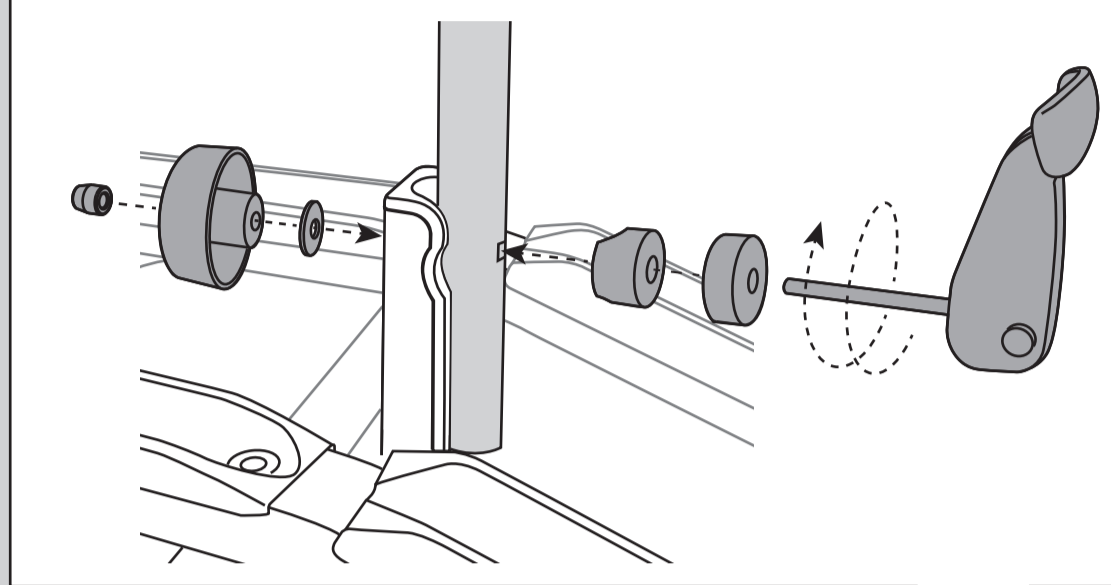
ANTISWAY
47-0100-045-10

STEP 6.

x2 x2

x2 x2 x2 x2

Ø6.5xØ16



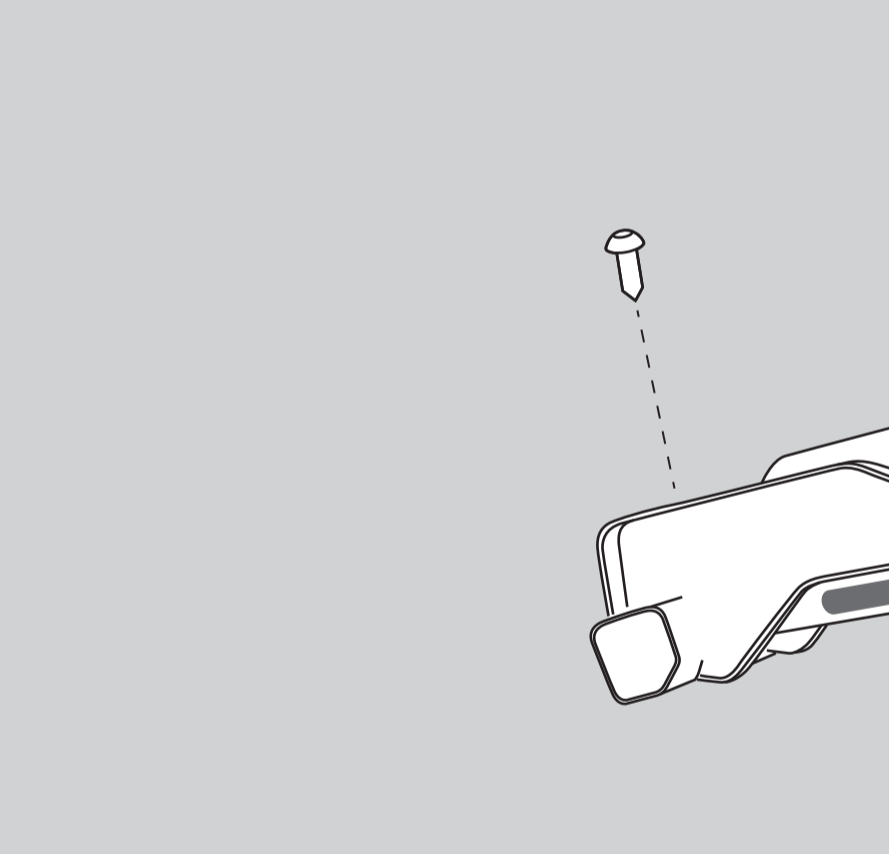
STEP 3.

x4 M6x70mm

x2

x8 Ø6.5xØ13

x4 M6x1.0



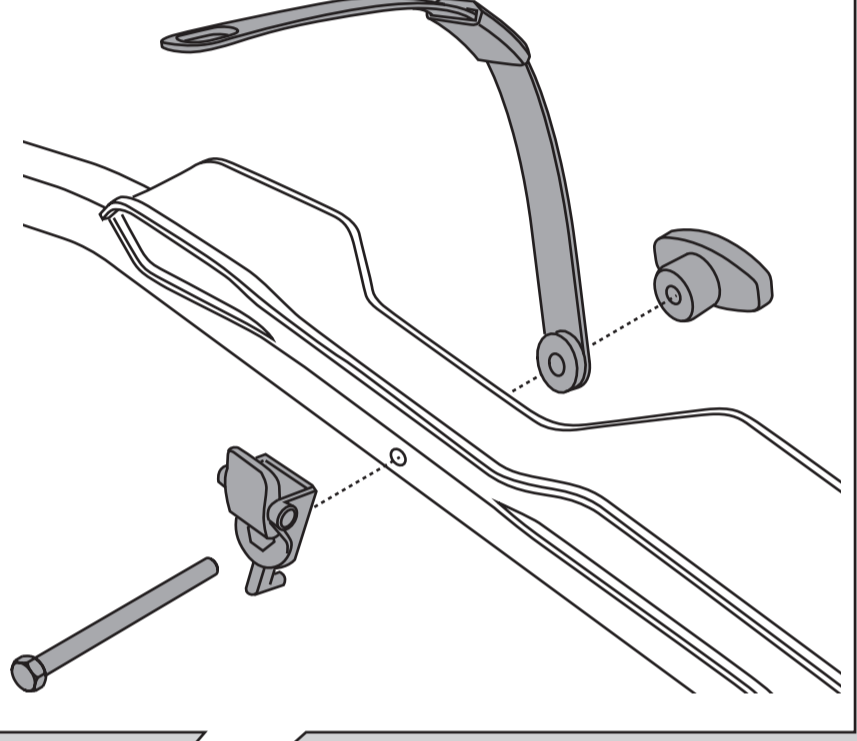
STEP 5.

x4 M6x70mm

x4

x4

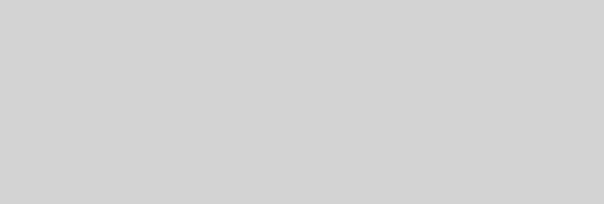
x4



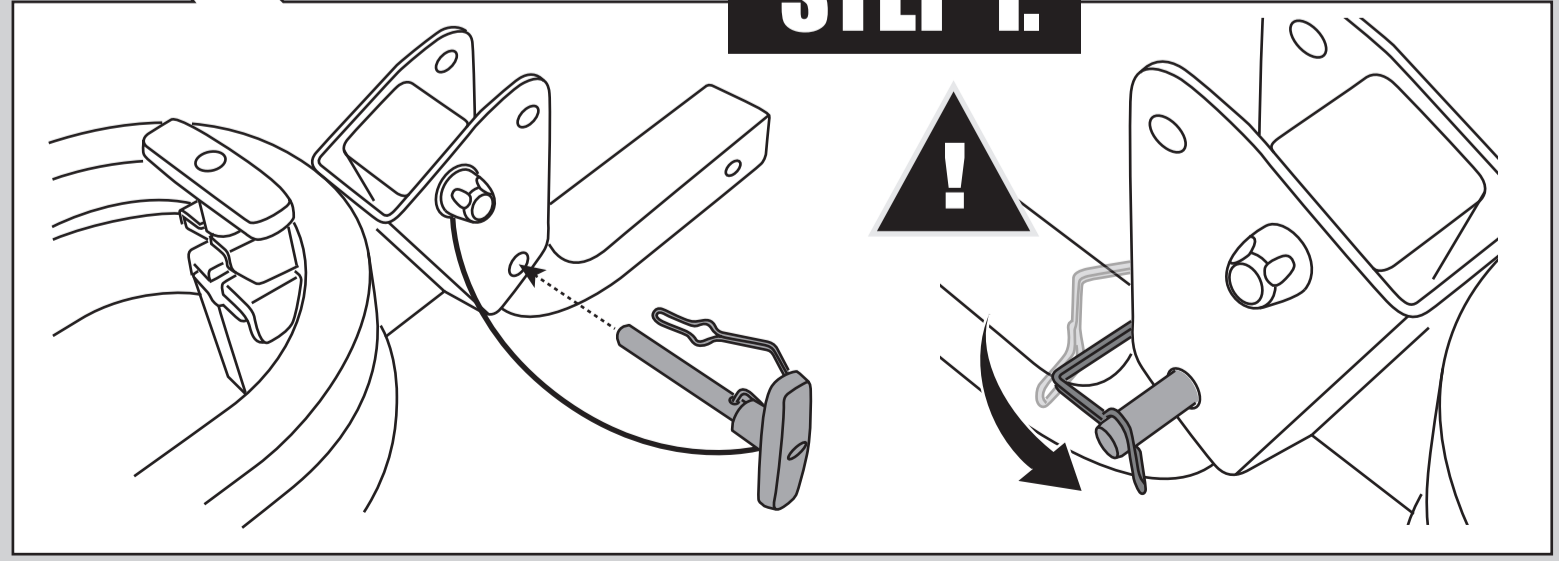
STEP 2.

x4

x2



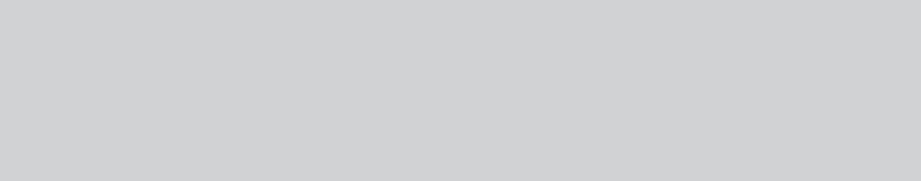
STEP 1.



STEP 4.

click

x2



Tool

x1 1/2"-13UNC

x1 1/2"

x1 Ø13.5xØ27

x1 4.0

x1 5.0

x1

x1

1

option 1 option 2

2

MIN Ø25 mm
MAX Ø50 mm

3

CARBON

4

5

6

BUZZRACK
www.buzzrack.com
Contact us at service@buzzrack.com if you have any questions.