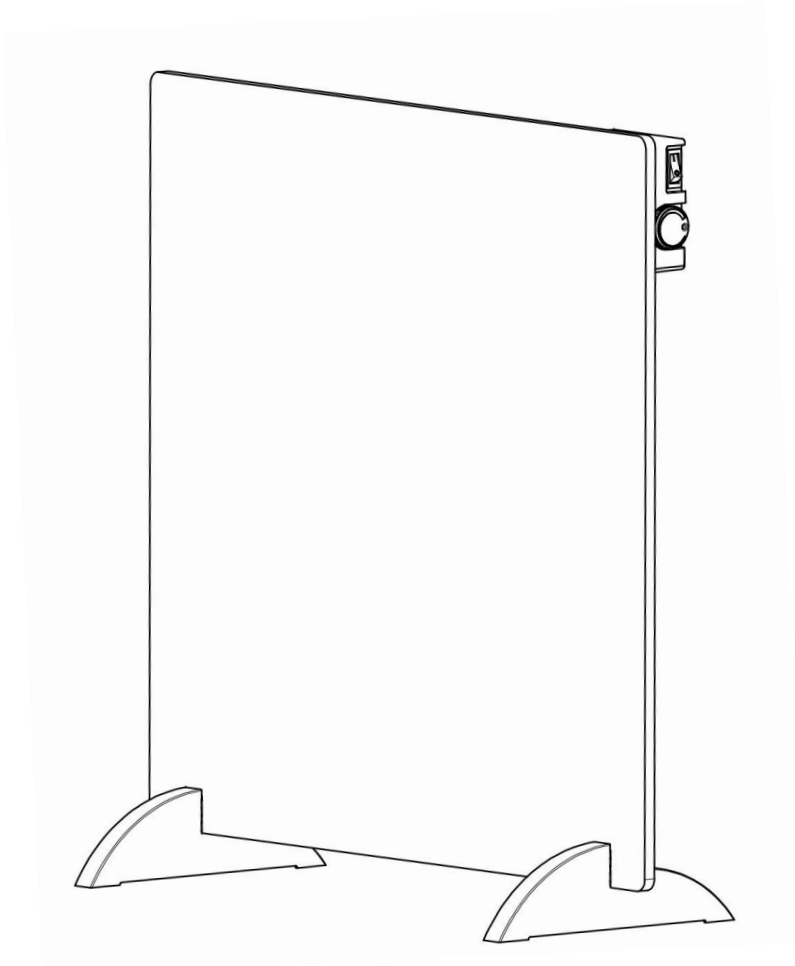


USER'S INSTRUCTION MANUAL

Item No. 3627



Electric Panel Heater

Model PH-08CS



READ INSTRUCTIONS CAREFULLY: Read and follow all instructions. Place instructions in a safe place for future reference. Do not allow anyone

who has not read these instructions to assemble, light, adjust or operate the heater.

This product is only suitable for well insulated spaces or occasional use.

IMPORTANT INSTRUCTIONS

PLEASE READ AND SAVE THESE IMPORTANT SAFETY INSTRUCTIONS

When using electrical appliances, basic precautions should always be followed to reduce the risk of fire, electric shock, and injury to persons, including the following:

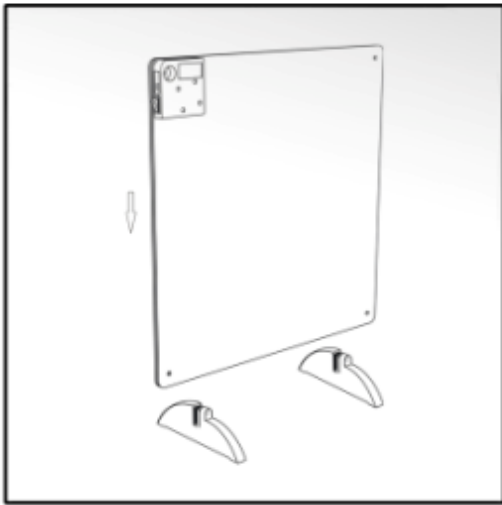
1. Read all instructions before using this heater.
2. **Extreme caution:** This appliance is not intended for use by persons (including children) with reduced physical, sensory or mental capabilities, or lack of experience and knowledge, unless they have been given supervision or instruction concerning use of the appliance by a person responsible for their safety. Children should be supervised to ensure that they do not play with the appliance.
3. This heater is hot when in use. To avoid burns, do not let bare skin touch hot surfaces. Keep combustible materials, such as furniture, pillows, bedding, papers, clothes, and curtains at least 3 feet (0.9m) from the front of the heater and keep them away from the sides and rear.
4. Always unplug heater when not in use.
5. Do not operate the heater with a damaged cord or plug or after the heater malfunctions, has been dropped or damaged in any manner. Return it to authorized service facility for examination, electrical or mechanical adjustment, or repair.
6. Indoor use only, wall mounted use only.
7. This heater is not intended for use in bathrooms, laundry areas and similar indoor locations. Never locate heater where it may fall into bathtub or other water container.
8. Do not run cord under material. Do not cover cord with throw rugs, runners, or similar coverings.
9. To prevent a possible fire, do not block the space between the heater and the wall which is for air intake or exhaust in any manner.
10. A heater has hot and arcing or sparking parts inside. Do not use it in the areas where gasoline, paint, or flammable liquids are used or stored.
11. Use this heater only as described in this manual. Any other use not recommended by the manufacturer may cause fire, electric shock, or injury to persons.
12. Avoid the use of an extension cord because the extension cord may overheat and cause a risk of fire. However, if you have to use an extension cord, the cord shall be rated not less than 500 watts(under 220-240V) or 265 watts.
13. To prevent overloading a circuit, do not plug the heater into a circuit that already has other appliances working. Do not install the heater under the wall socket.
14. It is normal for the plug to feel warm to the touch; however, a loose fit between the AC outlet (receptacle) and plug may cause overheating and distortion of the plug. Contact a qualified electrician to replace loose or worn outlet.
15. The output of this heater may vary and its temperature may become intense enough to burn exposed skin. Use of this heater is not recommended for persons with reduced sensitivity to heat or an inability to react to avoid burns.

16. WARNING: In order to avoid overheating, do not cover the heater.

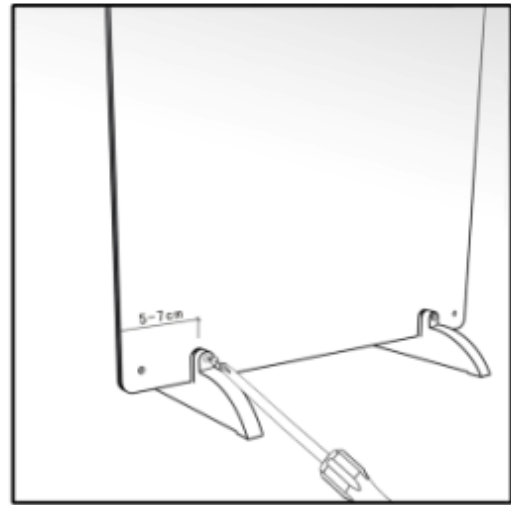
17. **"SAVE THESE INSTRUCTIONS"**

FREE STANDING INSTRUCTIONS

1. Put the free standing feet onto ground, keep the slots of both foot collinear, distance as 5-7cm from either side to the relevant foot is recommended; then insert the panel into the slots lightly.
2. Screw the two bolts into the holes on the feet



①

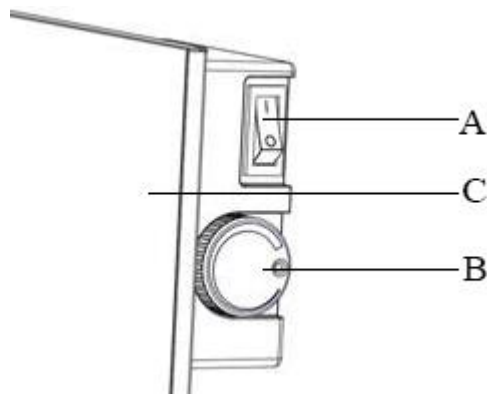


②

OPERATING INSTRUCTIONS

To begin to use the heater, please follow these instructions:

1. Check the heater to be sure it is not damaged.
2. Then, just plug in it and then switch on the illuminated ON/OFF switch.
3. When you need not warm the room, just switch it off.
4. You can control the temperature by the control knob on the control box.
5. If you want to leave it not working for a long time, please plug off the heater.



Control Panel Functions

A ON/OFF Switch

C Heater Body

B Adjustable thermostat

TROUBLES SHOOTING

If your heater fails to operate, please follow these instructions:

- Ensure that your circuit breaker or fuse is working properly.
- Be sure the heater is plugged in and that the electrical outlet is working properly.
- If the ON/OFF switch is not illuminated at ON position, send it to service center for reparation directly.

NOTE: IF YOU EXPERIENCE A PROBLEM WITH YOUR HEATER, PLEASE SEE THE WARRANTY INFORMATION FOR INSTRUCTIONS. PLEASE DO NOT ATTEMPT TO OPEN OR REPAIR THE HEATER YOURSELF. DOING SO MAY VOID THE WARRANTY AND COULD CAUSE DAMAGE OR PERSONAL INJURY. IF THE PROBLEM STILL PERSISTS, PLEASE CONTACT THE DISTRIBUTOR.

CLEANING AND STORAGE

Before cleaning your heater, switch off the heater and allow it to cool. Disconnect the electricity supply to the appliance. The outside can be cleaned by wiping it over with a soft damp cloth and then dried. Do not use abrasive cleaning powders or furniture polish, as this can damage the surface finish. To release the heater from the wall, for cleaning or redecoration, just open the screw bolt cap and unscrew the bolts to take off from the wall.

SPECIFICATIONS

Model No.: PH-08CS

Voltage/Frequency/Power: AC 220-240V, 50/ 60Hz, 425W

Current: 1.9 Amps(425W)

Power: 425 Watts (Please refer to the package information and be sure that your input voltage is matching with the rated input voltage)

Tolerances on all specifications: Approximately +5%, -10%.

Recommended suitable Room Sizes:

Places with normal winter: 12m² room (425W)

Places with cold winter: 9m² room (425W)

PACKING LIST

-1xHeater

-1xInstruction manual

-2xSupporting feet with screw on it

LIMITED WARRANTY & SERVICE

--