

ASSEMBLY INSTRUCTIONS

Parts



1 Backrest



2 Seat



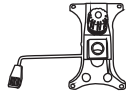
3 Base



4 Armrests x2



5 Gas lift



6 Control unit



7 Gas lift cover



8 Casters x 5

9 M6x25mm x8

10 M6x20mm x4

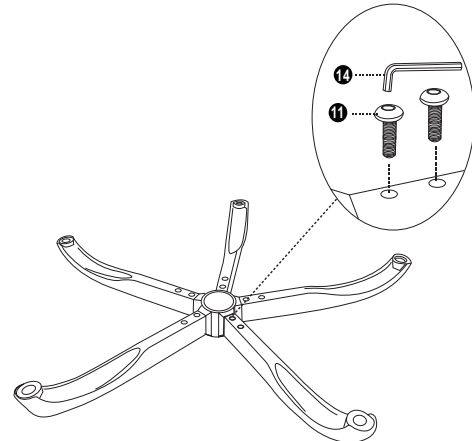
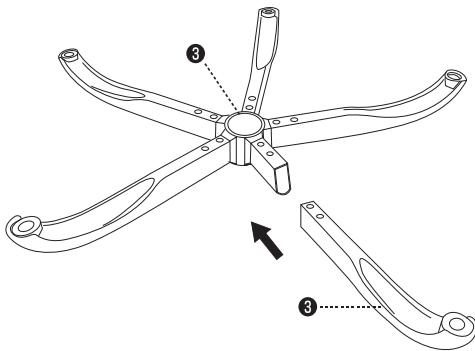
11 M6x10mm x10

12 M6x18mm x4

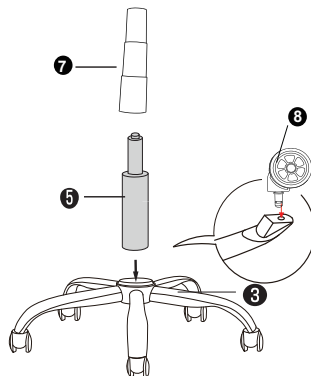
13 x8

14 x1

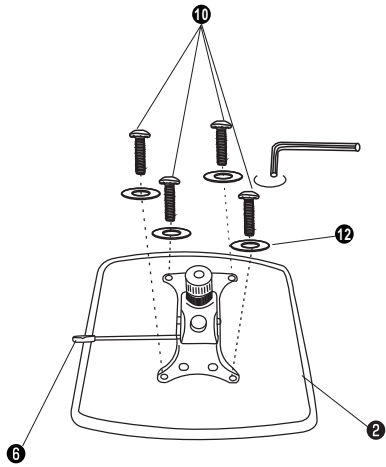
1 Insert the legs into the base center and fix them with M6*20 screws.



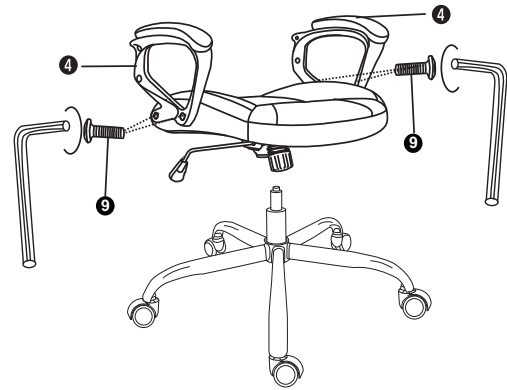
2 Place the chair base upside down, install the caster wheels and the gas lift on the base.



3 Fix the control unit to the base of the seat



4 Insert the gas lift into the control unit and fix the bottom of the armrests (without tightening the screws)



5 Fix the top of the armrests to the backrest and tighten all the screws



6 Cover the screws with the black caps



! Only trained personnel may replace or repair seat height adjustment components with energy accumulators.