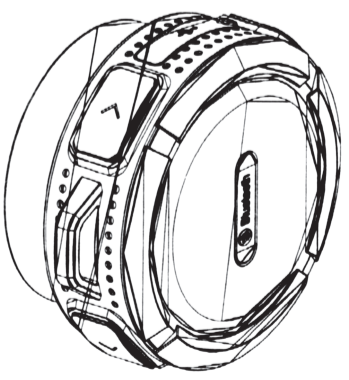


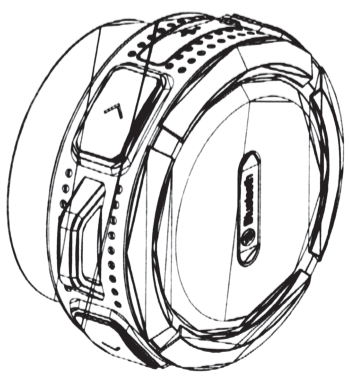
Get beautiful sound wirelessly

speaker
MODEL:SB2013



Get beautiful sound wirelessly

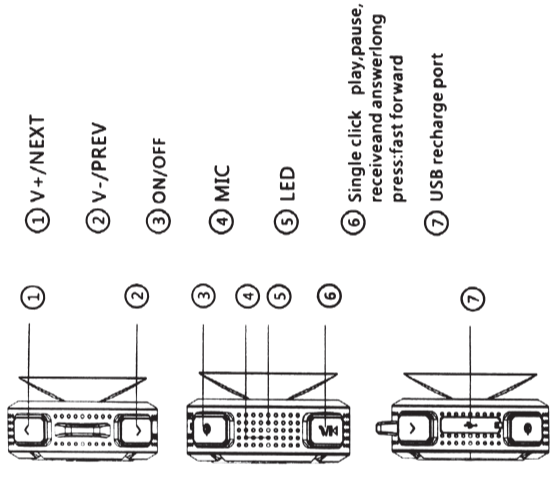
speaker
MODEL:SB2013



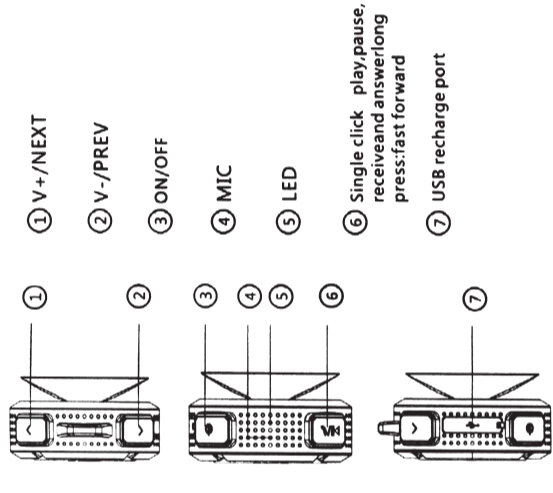
speaker
MODEL:SB2013

- PRECAUTIONS**
- Speakers in the process of charging and normal operation will be a slight fever, belongs to the normal phenomenon;
 - Please clean the speaker with a soft cloth, turn the power off and disconnect all external links;
 - Please keep the device in a dry, clean and tidy environment;
 - Do not fall or trample speakers, and placed in the plane of the box body;
 - Please don't use alcohol, benzene and other chemical cleaning objects;
 - Please don't let this product close to the extreme cold, heat objects;
 - Please use the company to provide the attachment;
 - Please do not remove the speakers without authorization;
 - Battery time and matching cell phone volume output amplitude are linked, please put the volume down to around 70%.
- ACCESSORIES**
USB Cord 1PCS
Instruction/Warranty card 1PCS

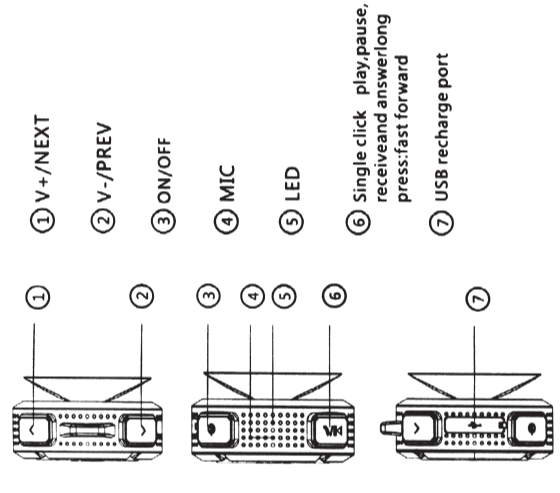
- PRECAUTIONS**
- Speakers in the process of charging and normal operation will be a slight fever, belongs to the normal phenomenon;
 - Need to clean the speakers, please turn the power off and disconnect all external links;
 - Please clean the speaker with a soft cloth, turn the power off and disconnect all external links;
 - Do not fall or trample speakers, and placed in the plane of the box body;
 - Please don't use alcohol, benzene and other chemical cleaning objects;
 - Please don't let this product close to the extreme cold, heat objects;
 - Please use the company to provide the attachment;
 - Please do not remove the speakers without authorization;
 - Battery time and matching cell phone volume output amplitude are linked, please put the volume down to around 70%.
- ACCESSORIES**
USB Cord 1PCS
Instruction/Warranty card 1PCS



FUNCTION DIAGRAM



FUNCTION DIAGRAM



FUNCTION DIAGRAM

- SPECIFICATIONS**
1. "+" button to press or tap: Long press the volume increase, short press One.
 2. "-" button to press or tap: Long press the volume decline, short press on One.
 3. "Play/Pause" short press pause music playback, a call comes in, the music stops playing sound while ringing ringtones, click this button is the answer, close to the front speakers, you can use the speakers with MIC, to achieve the call. Click this button again, hang up the phone, the phone automatically dials the last communication over Tel. To reject a call, double -click on this button can hang up the phone.
- PRODUCT OVERVIEW:**
1. Stylish appearance, on the road to bring you endless enjoyment;
 2. Bluetooth wireless link function, lifting shackles of cable;
 3. Speakerphone function, a key realization of all calls;
 4. Strong grade sucker, so speakers can play freely occasions adsorption;

- SPECIFICATIONS**
1. "+" button to press or tap: Long press the volume increase, short press One.
 2. "-" button to press or tap: Long press the volume decline, short press on One.
 3. "Play/Pause" short press pause music playback, a call comes in, the music stops playing sound while ringing ringtones, click this button is the answer, close to the front speakers, you can use the speakers with MIC, to achieve the call. Click this button again, hang up the phone, the phone automatically dials the last communication over Tel. To reject a call, double -click on this button can hang up the phone.
- PRODUCT OVERVIEW:**
1. Stylish appearance, on the road to bring you endless enjoyment;
 2. Bluetooth wireless link function, lifting shackles of cable;
 3. Speakerphone function, a key realization of all calls;
 4. Strong grade sucker, so speakers can play freely occasions adsorption;

- SPECIFICATIONS**
1. "+" button to press or tap: Long press the volume increase, short press One.
 2. "-" button to press or tap: Long press the volume decline, short press on One.
 3. "Play/Pause" short press pause music playback, a call comes in, the music stops playing sound while ringing ringtones, click this button is the answer, close to the front speakers, you can use the speakers with MIC, to achieve the call. Click this button again, hang up the phone, the phone automatically dials the last communication over Tel. To reject a call, double -click on this button can hang up the phone.
- PRODUCT OVERVIEW:**
1. Stylish appearance, on the road to bring you endless enjoyment;
 2. Bluetooth wireless link function, lifting shackles of cable;
 3. Speakerphone function, a key realization of all calls;
 4. Strong grade sucker, so speakers can play freely occasions adsorption;

WARRANTY AGREEMENT

In order to let you better enjoy the service, please read the following agreement:

This product warranty and starting from the date of sale, "3 packets" period of validity; During the validity period of "three guarantees" - the malfunction of the normal use of this product; according to "3 packets" provisions repair, replacement and return; in the product warranty, sanhanka company provide free maintenance service (dependent out of place in the warranty) And "3 packets" period, the warranty period has the following situation will implement the paid service:

1. Can't show the original warranty and effective invoice.
2. Due to irresistible causes of malfunction and damage.
3. Not in the normal channels, there is no sales unit after one's seal, didn't buy the product; period, altered warranty card and so on.
4. Not in accordance with the "manual" normal operation, the damage and failure.
5. Transportation in the process of failure and damage.
6. No repair permissions of companies and individuals disassemble and maintenance caused by the fault.

fault equipment repair, please return warranty card, please refer the invoice delivery to after-sales together; service center, transportation fees shall be borne by the user.

OPERATING INSTRUCTIONS

1. Bluetooth Input:
Open speaker power, the blue LED lights flashing, turn voice prompts, open the Bluetooth mobile devices, you can search for "SB2013" This device name, click on the pair after pair after speaker voice prompts, then you can play music; switch pairing mobile devices, you need to cut off the connection of existing equipment (into pairing mode); After the success of the product will be paired Bluetooth receiver memory of connected device and automatically connect (to ensure paired device in the search range).

2. USB charging:
The product is equipped with a USB cable to connect the computer and the speakers, the red LED lights lit, that is to charge the battery inside the speaker, the light changes from red to extinguish was changed. This charging method is slow, takes about 4-6 hours filled; using mobile phones equipped with power adapter (SV 1.0A) to charge the speaker, faster, takes about three hours or so full time. Charging process does not affect the normal use of the speaker.

WARRANTY AGREEMENT

In order to let you better enjoy the service, please read the following agreement:

This product warranty and starting from the date of sale, "3 packets" period of validity; During the validity period of "three guarantees" - the malfunction of the normal use of this product; according to "3 packets" provisions repair, replacement and return; in the product warranty, sanhanka company provide free maintenance service (dependent out of place in the warranty) And "3 packets" period, the warranty period has the following situation will implement the paid service:

1. Can't show the original warranty and effective invoice.
2. Due to irresistible causes of malfunction and damage.
3. Not in the normal channels, there is no sales unit after one's seal, didn't buy the product; period, altered warranty card and so on.
4. Not in accordance with the "manual" normal operation, the damage and failure.
5. Transportation in the process of failure and damage.
6. No repair permissions of companies and individuals disassemble and maintenance caused by the fault.

fault equipment repair, please return warranty card, please refer the invoice delivery to after-sales together; service center, transportation fees shall be borne by the user.

OPERATING INSTRUCTIONS

1. Bluetooth Input:
Open speaker power, the blue LED lights flashing, turn voice prompts, open the Bluetooth mobile devices, you can search for "SB2013" This device name, click on the pair after pair after speaker voice prompts, then you can play music; switch pairing mobile devices, you need to cut off the connection of existing equipment (into pairing mode); After the success of the product will be paired Bluetooth receiver memory of connected device and automatically connect (to ensure paired device in the search range).

2. USB charging:
The product is equipped with a USB cable to connect the computer and the speakers, the red LED lights lit, that is to charge the battery inside the speaker, the light changes from red to extinguish was changed. This charging method is slow, takes about 4-6 hours filled; using mobile phones equipped with power adapter (SV 1.0A) to charge the speaker, faster, takes about three hours or so full time. Charging process does not affect the normal use of the speaker.

- SPECIFICATIONS**
- Input voltage: DC 5V/600mA
Output power: 3W T/H D + N ≤ 10% (1KHz/0dB)
Polymer battery: 3.7V/300mAh
Speaker unit: 043mm 4Ω/5W
Weight: 153g
Frequency Response: 120Hz-22KHz
S/N: ≥ 90dB
Size: W87 * D45 * H95mm

Name	Age
Tel no.	Postcode
Gender	Purchase place
Date of buying	Product code
Part no.	Sale No.
Postal address	

Dealer stamp: _____

User signatures: _____

Name	Age
Tel no.	Postcode
Gender	Purchase place
Date of buying	Product code
Part no.	Sale No.
Postal address	

Dealer stamp: _____

User signatures: _____

- OPERATING INSTRUCTIONS**
1. Bluetooth Input:
Open speaker power, the blue LED lights flashing, turn voice prompts, open the Bluetooth mobile devices, you can search for "SB2013" This device name, click on the pair after pair after speaker voice prompts, then you can play music; switch pairing mobile devices, you need to cut off the connection of existing equipment (into pairing mode); After the success of the product will be paired Bluetooth receiver memory of connected device and automatically connect (to ensure paired device in the search range).
2. USB charging:
The product is equipped with a USB cable to connect the computer and the speakers, the red LED lights lit, that is to charge the battery inside the speaker, the light changes from red to extinguish was changed. This charging method is slow, takes about 4-6 hours filled; using mobile phones equipped with power adapter (SV 1.0A) to charge the speaker, faster, takes about three hours or so full time. Charging process does not affect the normal use of the speaker.

Dealer stamp: _____

User signatures: _____