




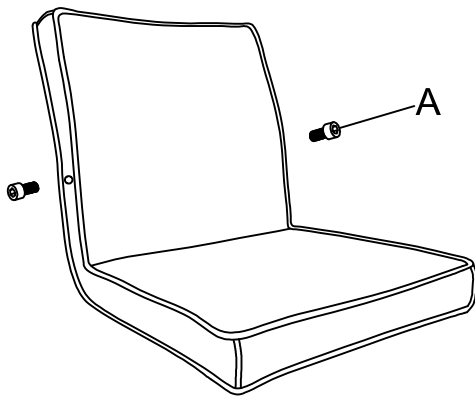


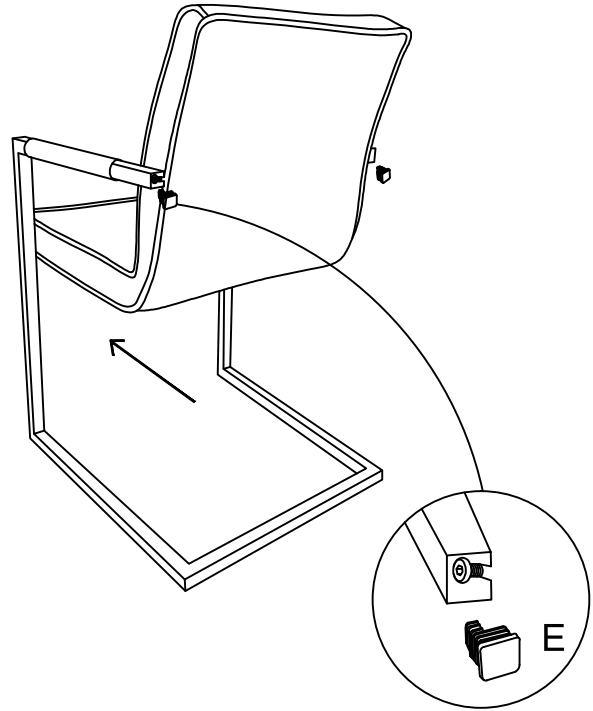
# ASSEMBLY INSTRUCTION

<b>A</b>  M6x16 x2	<b>B</b>  M6x40 x2	<b>C</b>  M6 x2	<b>D</b>  x1	<b>E</b>  x2		
---	---	--	---	--	--	--

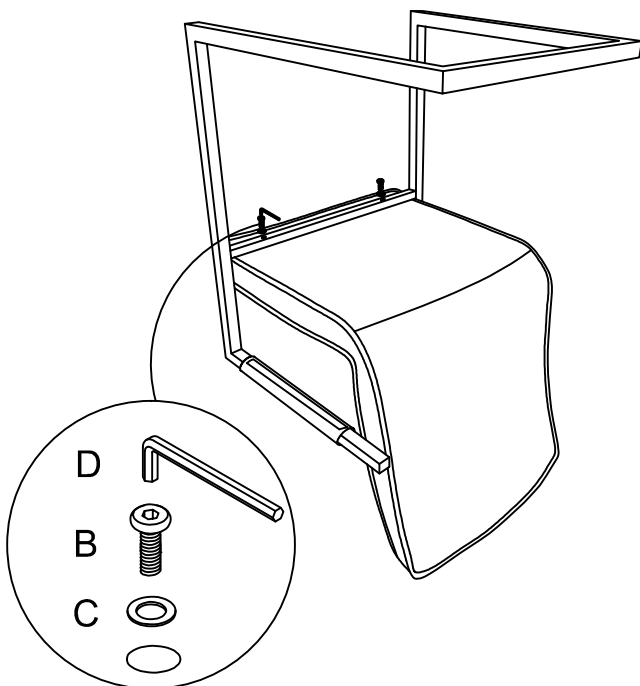
## STEP 1



## STEP 2



## STEP 3



## STEP 4

